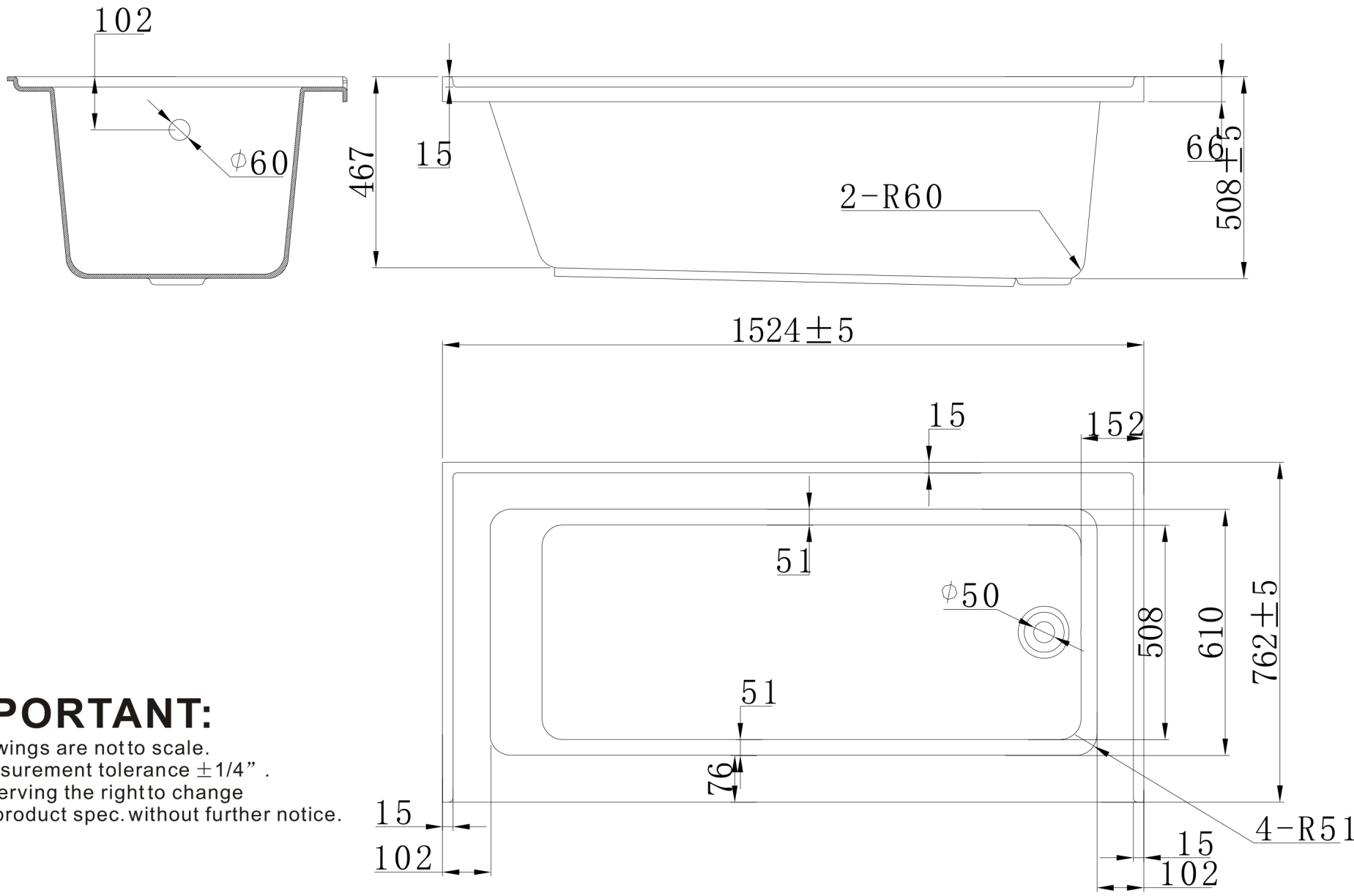


# DROP IN BATHTUB

## Size Drawing

Size: 1524x762x508mm (60" x 30" x 20" )



### IMPORTANT:

1. Drawings are not to scale.
2. Measurement tolerance  $\pm 1/4"$ .
3. Reserving the right to change the product spec. without further notice.