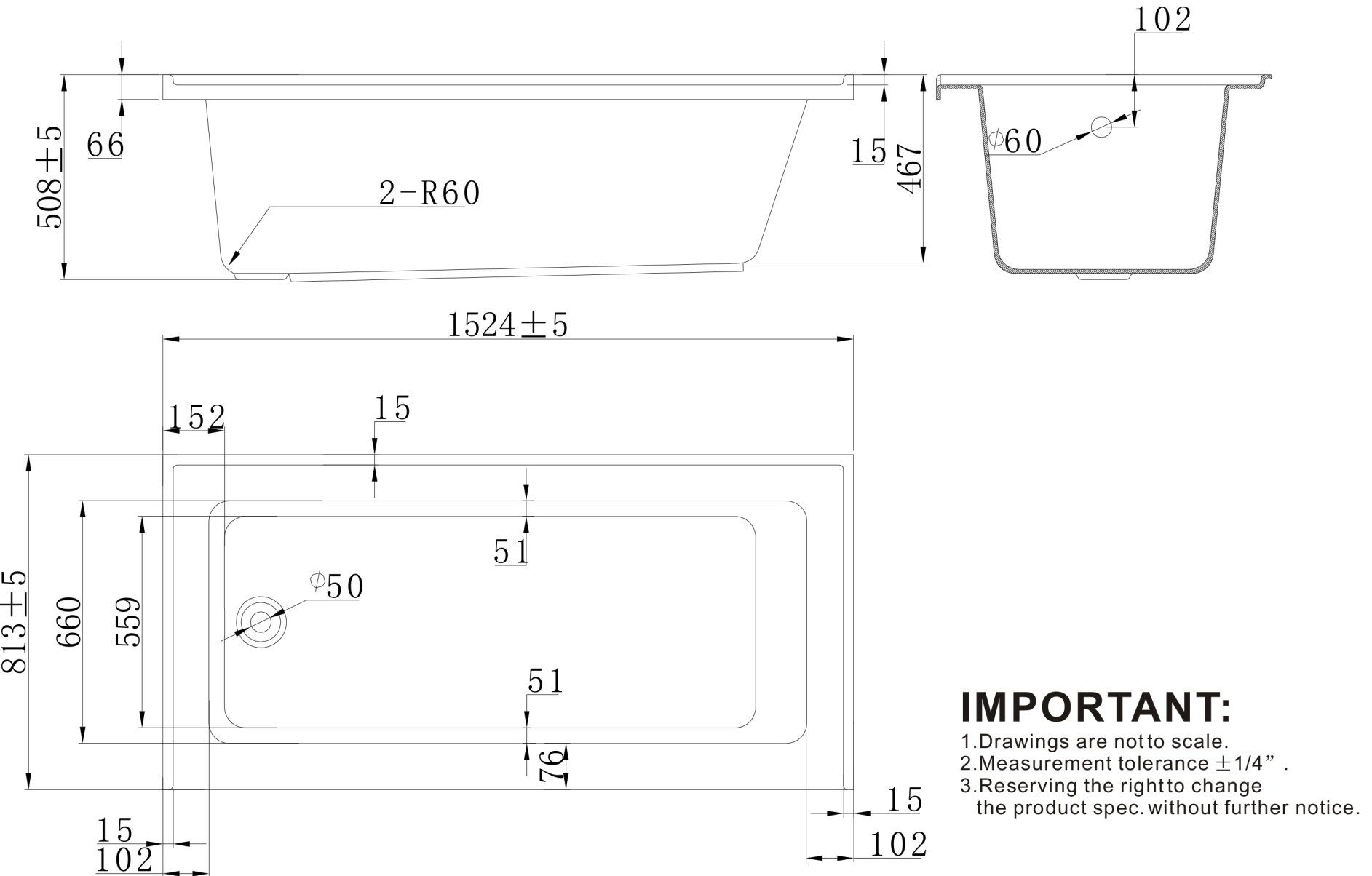


DROP IN BATHTUB

Size Drawing

Size: 1524x813x508mm(60" x32" x20")



IMPORTANT:

1. Drawings are not to scale.
2. Measurement tolerance $\pm 1/4"$.
3. Reserving the right to change the product spec. without further notice.