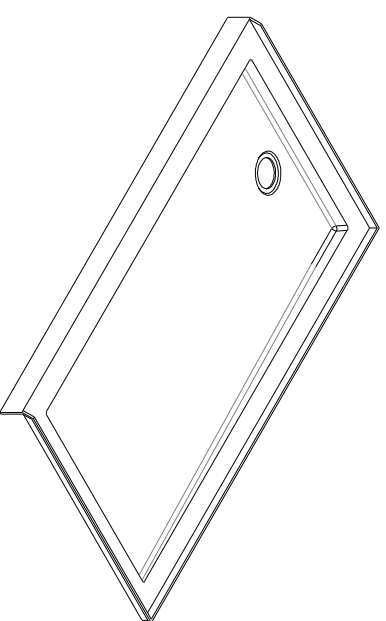
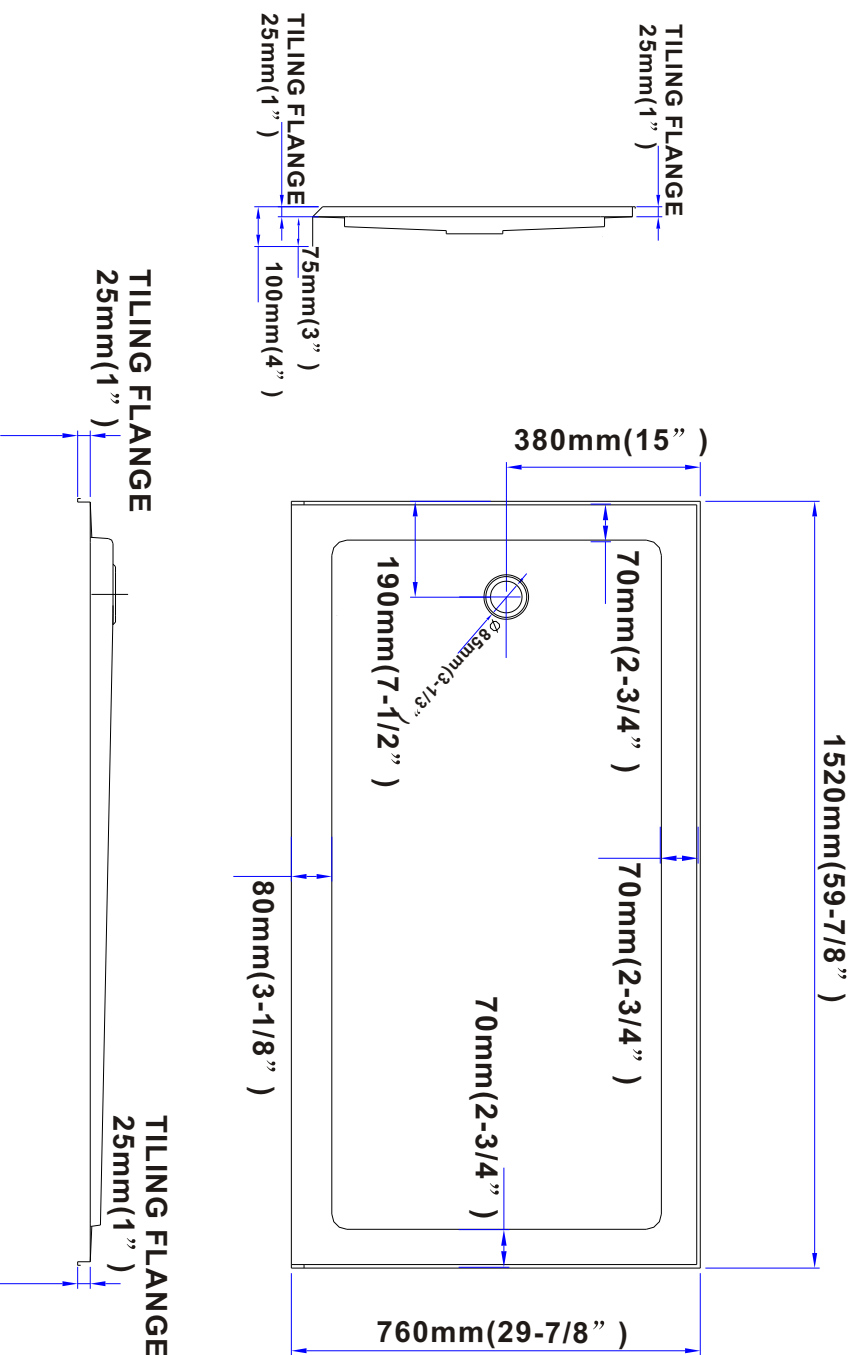


SHOWER BASE

Size Drawing

Size: 1520 × 760 × 100mm (59-7/8" x 29-7/8" x 4")



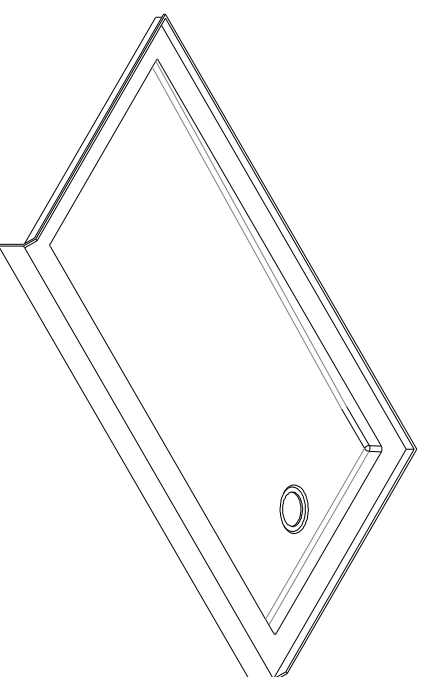
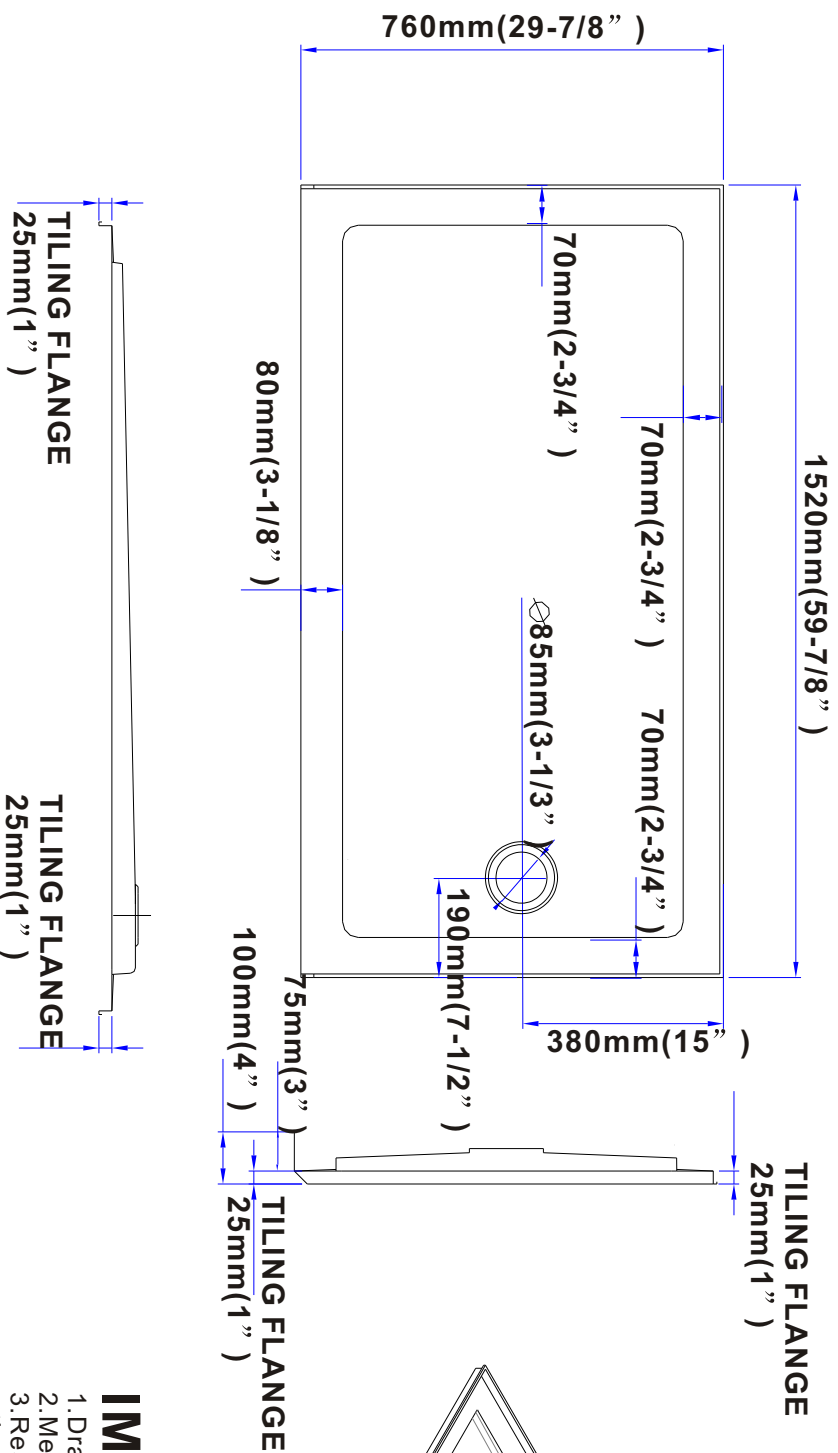
IMPORTANT:

1. Drawings are not to scale.
2. Measurement tolerance $\pm 1/4"$.
3. Reserving the right to change the product spec. without further notice.

SHOWER BASE

Size Drawing

Size: 1520 × 760 × 100mm (59-7/8" x 29-7/8" x 4")



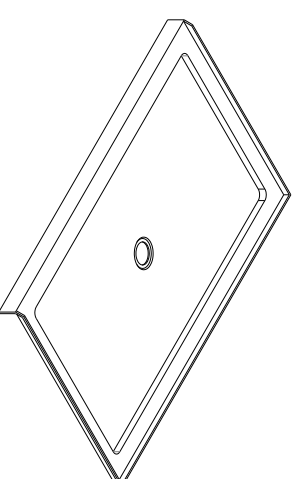
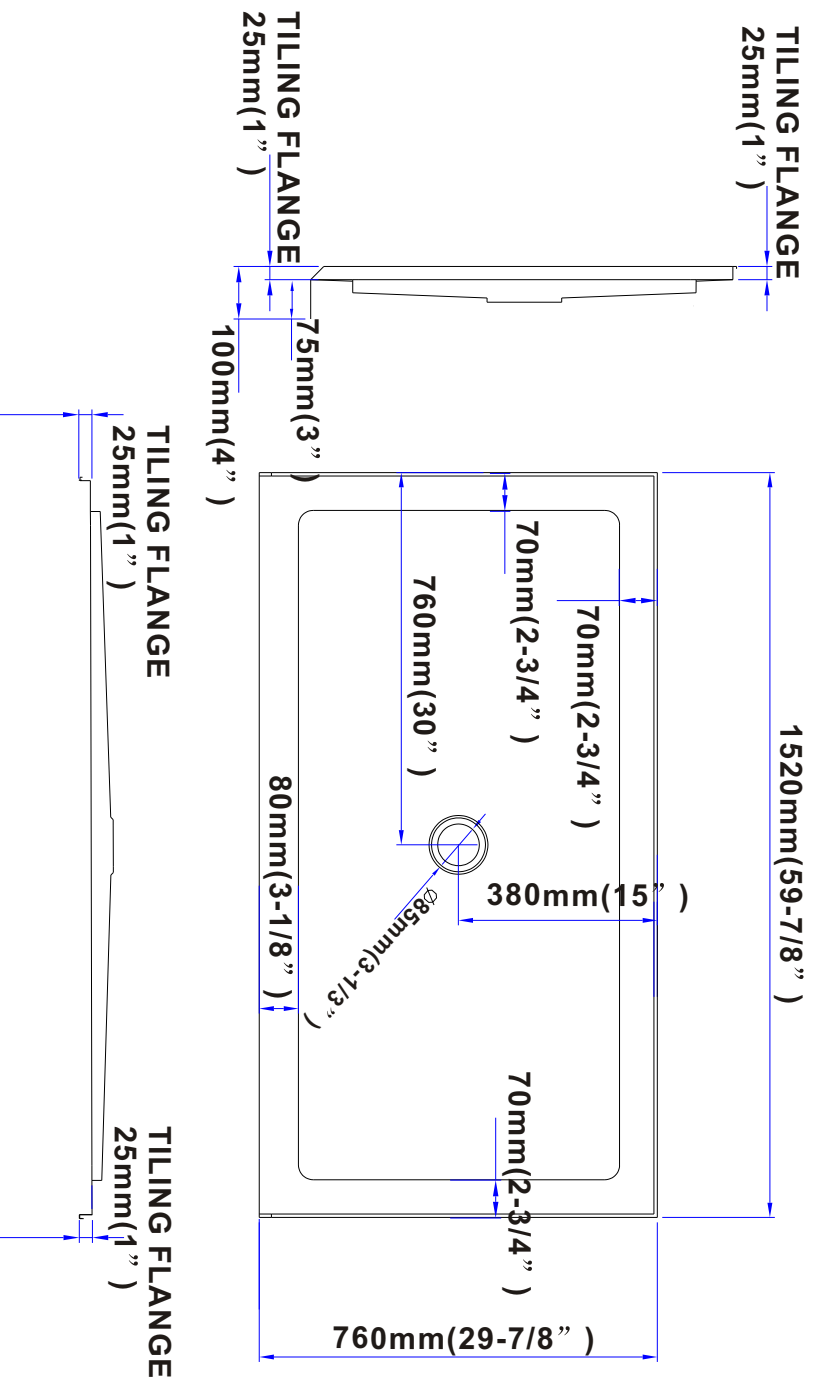
IMPORTANT:

1. Drawings are not to scale.
2. Measurement tolerance $\pm 1/4"$.
3. Reserving the right to change the product spec. without further notice.

SHOWER BASE

Size Drawing

Size: 1520×760×100mm(59-7/8" x29-7/8" x4")



IMPORTANT:

1. Drawings are not to scale.
2. Measurement tolerance $\pm 1/4"$.
3. Reserving the right to change the product spec. without further notice.