

TURBRO

USER GUIDE

Window Air Conditioner Mounting Support Bracket

ACS-100 ACS-200

**THANK YOU FOR PURCHASING THE TURBRO® WINDOW
AIR CONDITIONER MOUNTING SUPPORT BRACKET.**

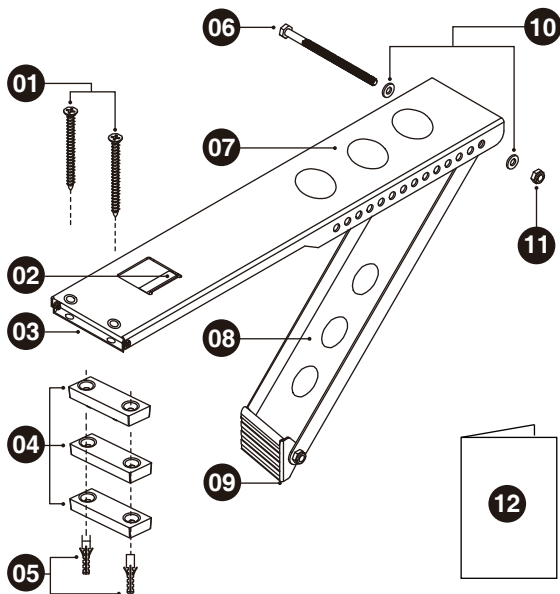


Read all instructions before assembling or using this product.
Failure to follow instructions may lead to property damage or
personal injury.

Keep this user manual for future reference.

BOX CONTENTS

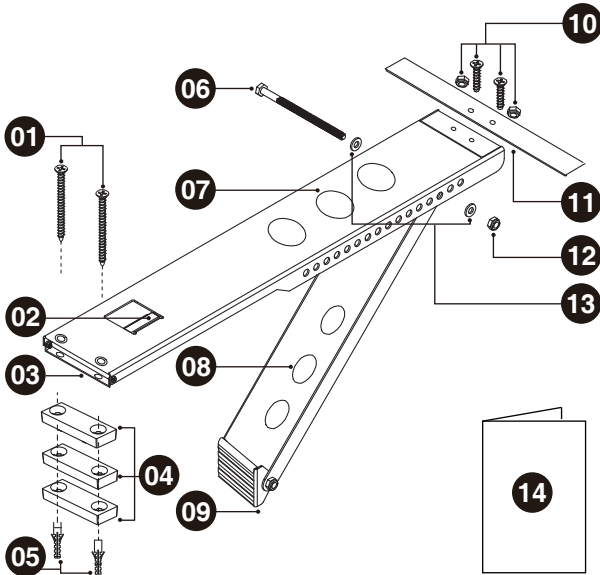
ACS-100



Item	Qty.	Description	Item	Qty.	Description
01	2	Long Screw (M6 x 70mm)	09	1	Rubber Pad
	2	Short Screw (M6 x 50mm)	10	2	Small Washer
02	1	Level Shelf	11	1	Hex Nut
03	1	Adjustble Base	12	1	User Guide
04	3	Flat Spacer			
05	2	Plastic Expansion Anchor			
06	1	Flange Hex Bolt (M6 x 100mm)			
07	1	Support Body			
08	1	Support Leg			

BOX CONTENTS

ACS-100



Item	Qty.	Description	Item	Qty.	Description
01	2	Long Screw (M6 x 70mm)	09	1	Rubber Pad
	2	Short Screw (M6 x 50mm)	10	2	Hex Bolt and Nut (M6 x 10mm)
02	1	Level Shelf	11	1	Heavy Duty Support Bar
03	1	Adjustable Base	12	1	Hex Nut
04	3	Flat Spacer	13	2	Small Washer
05	2	Plastic Expansion Anchor	14	1	User Guide
06	1	Flange Hex Bolt (M6 x 100mm)			
07	1	Support Body			
08	1	Support Leg			

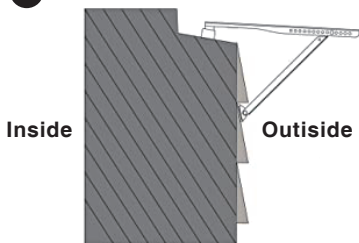
IMPORTANT SAFEGUARDS

- This product works with single or double hung windows only. It does not work in slider, crank-out or casement windows. The included expansion screws are not suitable for hollow aluminum window sills.
- Do not overload the bracket in excess of its maximum capacity (ACS-100: 100 lbs, ACS-200: 200 lbs).
- This product is not designed to support the weight of people or animals. Do not place children on the unit or attempt to use it as a support for any of the above.
- Please be aware that this product does not reduce, eliminate or mitigate the requirements of any air conditioner manufacturer in the mounting and installation thereof.
- Objects including but not limited to awnings, signage, and lighting or masonry structures surrounding a window could potentially obstruct or prevent the proper installation of this product.
- Install the bracket from inside. Do not fully lean out of the window while installing.
- Not for use on dormers. It is recommended that there be at least 10 inches of clearance below the window.
- If this product appears to be damaged in any way, do not install and/or attempt to use it to support your air conditioner.
- Please contact TURBRO Customer Support via support@turbro.com for help if you don't understand these directions.

INSTALLATION INSTRUCTIONS

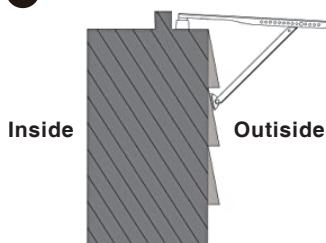
Installation Side View for 3 Window Types

01



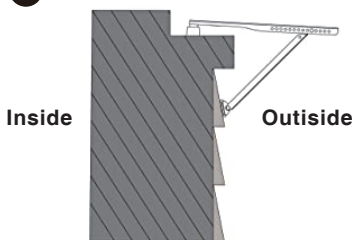
Sill with out wall

02



Sill with out wall

03



Sill with out wall

NOTE:

If the lip is too thick that the leg of bracket might not be able to reach the outer wall.

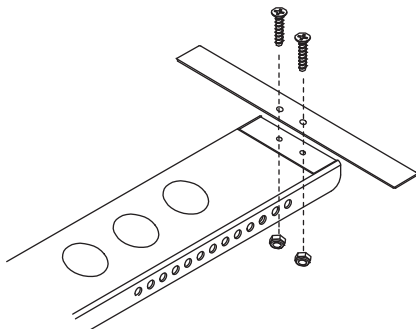
● Tools you'll need

- 2 x Wrench or Socket (7/16 inch or 10 mm)
- Drill with 5/32" Bit
- #3 Phillips Head Screwdriver
- Measuring Tape
- Pencil

● Assemble the Support Bar (Only for ACS-200)

- Attach the support bar to the main unit using M6x10mm screws and hex nuts.

INSTALLATION INSTRUCTIONS



- **Find the air conditioner's center of gravity.**

Determine the approximate center of gravity, or if one side is heavier than the other.

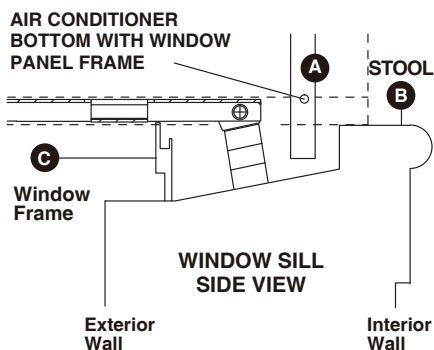
To do this, set the air conditioner on the ground.

Partially lift one side at a time (left and right, not front and back) to determine if the weight is centered, or if the right or left side is heavier. (If both sides feel the same, weight is 'balanced'.)

- **Find the correct window sill position.**

Measure the length of the window frame opening where the air conditioner will sit.

Divide the length of the window frame in half, and make a mark directly in the center with your pencil.



INSTALLATION INSTRUCTIONS

NOTE:

If your air conditioner has an adjustable window panel frame (a), keep moving the support body until the frame fits between it and stool (b). If the A/C shelf contacts the window frame (c), add a flat spacer.

NOTE:

Build-up may be higher than stool, but the A/C Support will hold.

● Align and Mount to Sill

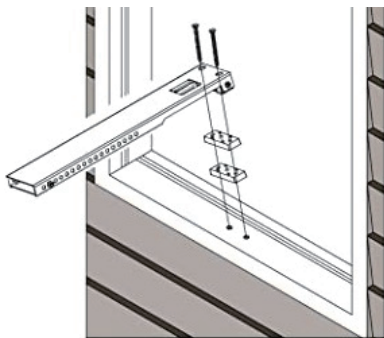
Mark two holes through the base of the bracket onto the sill. If A/C weight is 'balanced', use these marks.

If the heavy side is to the left or right, make new marks, 3 inches toward the heavy side.

Then drill two 5/32" diameter, 2" deep holes into the marks.

Place M6 x 70mm long screws through shelf holes and spacer combination. If using two flat spacers or less, choose M6 x 50mm short screws.

● Fasten screws



NOTE:

Vinyl window may have foam-filled or hollow sill. Anchor A/C Support firmly into solid material (wood, cement, etc.) so mounting screw passes through the sill and are secure in solid material.

NOTE:

If the outside window sill is concrete, brick or cement material, you need to use a 5/16" screwdriver to drill guide holes, and put plastic expansion screws into holes for anchor screws downward into the sill.

INSTALLATION INSTRUCTIONS

● Set the angle

Place the end of the leg flat against the underside of the support body. Gradually slide the leg towards the inner end of the shelf until the footpad rests against the exterior wall.

Stop moving leg when the level bubble is centered.

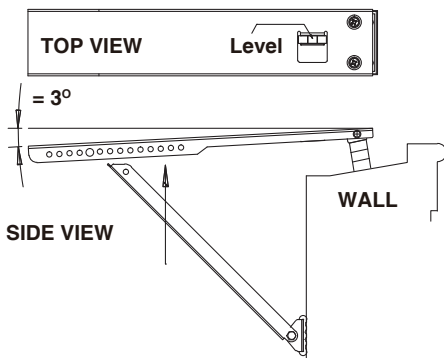
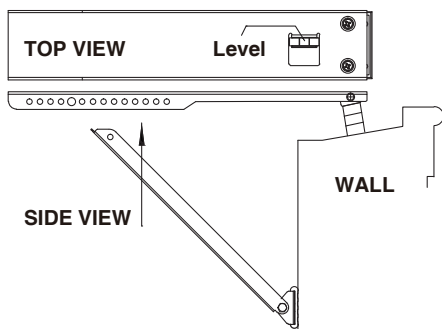
Align leg holes with the closest holes in the shelf.

Insert the flange hex screw with washer through holes, temporarily securing leg to shelf.

Check the level so the bubble is toward you.

If needed, readjust leg by one set of holes away from you.

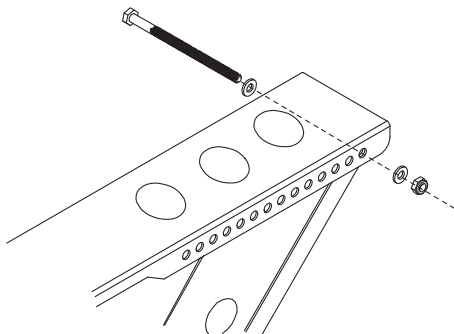
The bracket should now be self-supporting against the exterior, with a slight downward tilt.



INSTALLATION INSTRUCTIONS

● Final Mounting

Tighten leg to shelf with hex bolt and hex nut and washer assembly, using wrench or socket (7/16 inch or 10 mm). Be sure the footpad is flatly secured against the exterior wall.



● Removal

Remove A/C unit.

Unfasten screws.

Remove A/C support and spacer from the sill.

WARRANTY

This product is covered by a limited 2-year warranty by **TURBRO** from the date of purchase.

- **What is NOT covered?**

Damage caused by the owner when attempting to fix or alter the product themselves.

Damage caused by misuse, abuse, neglect, alterations, or unauthorized repair.

Natural depreciation.

- **How to request warranty services?**

To obtain the benefit of this warranty, please leave a message online (<https://www.turbro.com/contact>), or send an email to **support@turbro.com**.

- **What will TURBRO do?**

Repair the item.

Replace the item if not repairable.

Refund the item under certain circumstances.

ALL EXPRESSED AND IMPLIED WARRANTIES, INCLUDING THE WARRANTY OF MERCHANTABILITY, ARE LIMITED TO THE PERIOD OF THE LIMITED WARRANTY.

TURBRO



© Katmai Technology Limited

support@turbro.com

www.turbro.com

