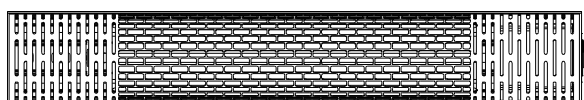


USER MANUAL

TURBRO

**Neighborhood
Infrared Heater**

MODEL NO. : TN30A



ASSEMBLE & OPERATING INSTRUCTIONS

PLEASE READ THIS MANUAL IN ITS ENTIRETY
AND SAVE FOR FUTURE REFERENCE.

FOR OUTDOOR USE ONLY.

Contents

Safety Instructions	01
Operation	02
Dimensions	02
Specifications	02
US 3-Pin Polarized Plug	03
Remote Control	03
Remote Control Batteries	03
Push Button	03
Installation	04
Parts Included	05
Wall-Mounting/Ceiling Installation	05
Cleaning and Maintenance	10
Recycling	10
Troubleshooting	10
Limited Warranty	11

Safety Instructions

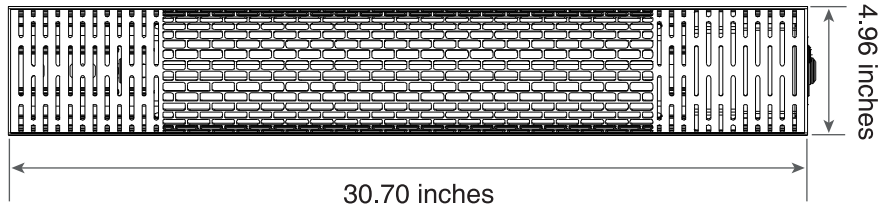
THESE INSTRUCTIONS SHOULD BE READ CAREFULLY AND RETAINED FOR FUTURE REFERENCE. We cannot be liable for any damages caused by failure to observe these instructions.

READ CAREFULLY-The infrared heater is designed for safe operation. Installation, maintenance, and operation of the heater can be dangerous if used improperly. Observing the following procedures will reduce the risk of fire, electric shock, injury to persons, and keep installation time to a minimum. Save these instructions for future reference.

1. Read all instructions before using this heater.
2. Remove the unit from its packaging and check to make sure it is in good condition before using.
3. Do not let children play with parts of package (such as plastic bags).
4. Check the household voltage to ensure it matches the heater's rated specification.
5. Check the power cord and plug carefully before use to make sure that they are not damaged.
6. Before unplugging the power cord, be sure to turn off the power. When plugging in the unit, make sure your hands are dry to prevent electric shock.
7. Do not use flammable objects near the heater or point the heater at items furniture, pillows, bedding, paper, clothes, and curtains. Keep at least 3 feet (1meter) from the front of the heater and the nearest object.
8. Do not use near or in the immediate vicinity of a bath or swimming pool or any other source of liquid.
9. To protect against electric shock, do not immerse cord or plug in water or any other liquid.
10. Do not insert or allow foreign objects to enter any ventilation or exhaust opening as this may cause an electric shock, fire, or damage to the heater.
11. Always unplug the heater when not in use.
12. Do not allow cord to overhang where it can be easily pulled by children.
13. Do not put fingers or foreign objects into the heater while in operation.
14. Do not leave the appliance unattended when in use.
15. This heater is not intended for use in bathrooms, laundry, and similar indoor locations. Never place the heater where it may fall into a bathtub or other water container.
16. No liability can be accepted for any damage caused by non-compliance with these instructions or any other improper use or mishandling.
17. This appliance is not intended for use by persons (including children) with reduced physical, sensory, or mental capabilities or lack of experience and knowledge unless they have been given supervision or instruction concerning the use of the appliance by a person responsible for their safety. Children and vulnerable people should be supervised to ensure they do not play with the appliance.
18. If the supply cord is damaged in any way, it must be replaced by the manufacturer or its service agent or a similarly qualified person to avoid any hazards.
19. To prevent overheating of this appliance, keep the air inlets and outlets clean and free of anything that may cause blockage. Check all inlets and outlets from time to time to ensure it is clear of any dirt or dust accumulation. **DO NOT COVER ANY OUTLETS OR INLETS.**
20. Parts of the heater may exceed 392°F. Contact with the heating tube, reflector, or metal parts near the heating tube may cause severe burns. To avoid burns, do not let bare skin touch hot surfaces.
21. Never place hands under the heating elements. Always allow heating element to cool at least 10 minutes before touching the heating tube or adjacent parts.
22. This product contains recyclable materials. Do not dispose this product as unsorted municipal waste. Please contact your local municipality for the nearest collection point.
23. Always plug heater directly into a wall outlet/receptacle. Never use with an extension cord or relocatable power tap (outlet/power strip).

Operation

Dimensions



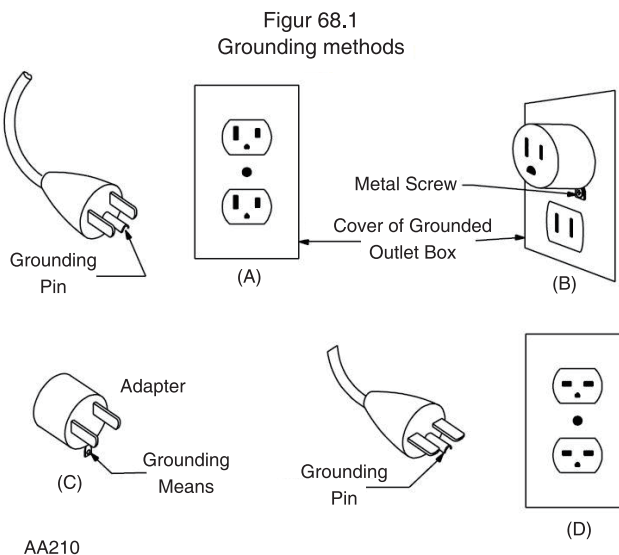
Specifications

The TURBRO Neighborhood Infrared Heater produces instant and comfortable heat. These robust and weatherproof heaters are designed for domestic and commercial heating applications within outdoor areas.

Model	TURBRO TN30A
Voltage (V)	110 - 120
Wattage (W)	1500
Hertz (Hz)	60
Dimensions WxHxD (Inch)	30.70 × 4.96 × 5.35
Weight (Lbs)	8.38
Timer (Hour)	0 - 9
Remote Control	Yes

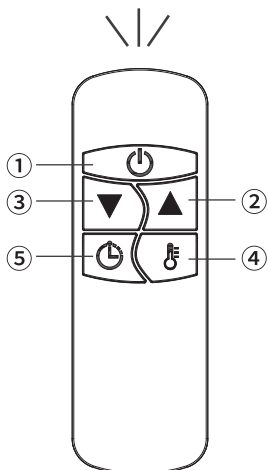
US 3-Pin Polarized Plug

This heater is for use on 120 volts power systems. The cord has a plug as shown in A below, in Figure 68.1. An adapter (below in C) may be used to connect the three-blade grounding-type plug to two-slot wall outlets. The green grounding pin extending from the adapter must be connected to a permanent ground such as a properly grounded outlet box. The adapter should not be used if a three-slot grounded receptacle is available.



Remote Control

To function the remote control, please point it at the control panel on the right side of the heater (while facing the heater).



- ① **POWER BUTTON:** Turn the heater on/off.
- ② **UP BUTTON:** Increase timer and level.
- ③ **DOWN BUTTON:** Decrease timer and level.
- ④ **LEVEL BUTTON:** Use to adjust the heat levels (L1-L2). Press the Level button then use the up and down buttons to increase or decrease the heating level.
- ⑤ **TIMER BUTTON:** To set the timer from 0H-9H, which is the number of hours it will run. 0H will display, then adjust to the number of hours you would like to set, using the up and down buttons (2 and 3). After the timing ends, the heater will automatically turn to the standby mode (- -).

(Note: All TURBRO Neighborhood Infrared Heaters and their remote controls use the same frequency, so it is possible to control several heaters with just one remote.)

Remote Control Batteries

Press and slide the battery cover on the rear of the remote to remove the cover. Insert two new AAA 1.5V/ Alkaline type batteries into the battery compartment. Ensure that the polarity is correct. Batteries are not included in the package due to safety concerns during transportation.

Push Button

On the right end of heater there is a push button so the heater can be manually operated without the remote control.

Note:

1. Do not mix old and new batteries together in the remote. Do not mix alkaline, standard (carbon-zinc), or rechargeable (NiCad, NiMh, etc.) batteries together.
2. Remove the batteries if you are not using the remote for more than 1 month to prevent leakage which may damage your remote control.
3. Do not allow water or liquid to get into the remote control.

Caution:

When the appliance is not operated for a long period of time, when performing cleaning or maintenance, or when the location of the heater is changed, the heater should be turned to OFF and unplugged from the electrical connection.

Periodic inspection and removal of dirt and contaminants will ensure that equipment can be operated safely.

Installation

Recommended Tools (Not included):

* Pencil * Hammer * Level * Screwdriver * Power Drill and drill bits

A wall mounting bracket is provided with the heater which has been specifically designed to allow this product to be fitted to a wall or ceiling. Before drilling the holders, please ensure the wall/ceiling is solid and that there are no hidden water pipes or electric wires. The heater must be installed no less than 16" from side walls and no less than 6" off the floor.

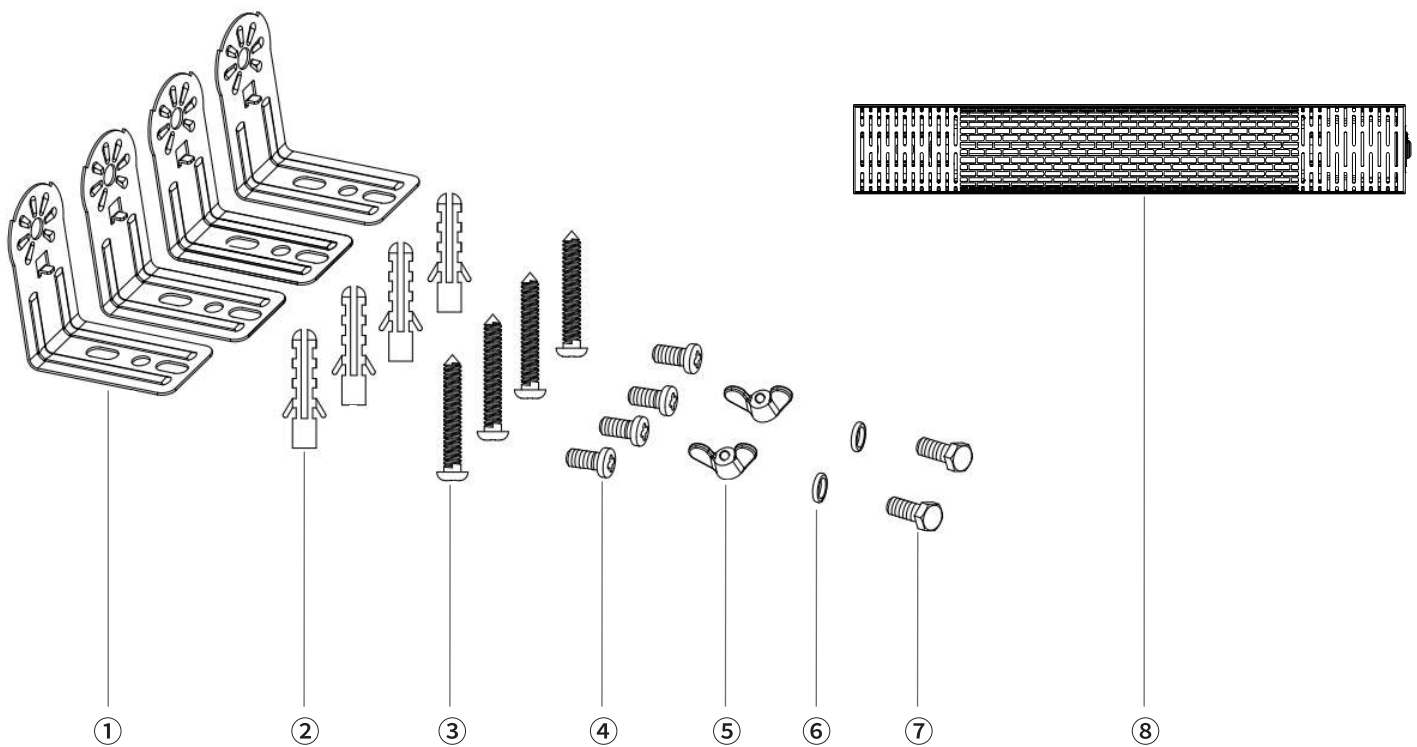
Important: Ensure that the supply cables are well mounted and do not contact with the reflector of the heater or trail into the heated area. The supply cable can be fixed to the metal mounting bracket behind heater with plastic zip ties.

Installation Notice:

1. This heater should be installed by a competent person, i.e., a qualified electrician.
2. Always disconnect the heater from the electricity supply and ensure it is cooled down before installation.
3. This heater can be mounted in a horizontal or vertical manner.
4. The supply cord must be at the lower end of the heater if the heater is installed at an angle or vertically.
5. Keep the supply cord away from the body of the heater which will get hot during use.
6. Do not install the heater on a flammable surface.
7. Observe the minimum safe distance between the heater body and flammable surfaces when mounting.
8. The distance from the front side of the heater to materials such as wood, carton, cloth etc., must be a minimum 1m/39.4".
9. If the heater is to be used outside a weatherproof outlet is recommended.
10. The heater must be installed on the mounting brackets provided.
11. Fasten the brackets securely to the mounting surface and the backside of the heater using the nuts and screws supplied.
12. Fasten the heater securely on the brackets using the nuts and bolts supplied.
13. The brackets can be used to adjust the direction of the heater. Adjust the heater angle by loosening the two bolts on the wall mounting bracket. Tighten the bolts again when the desired angle is reached.

Parts Included

No.	Item Name	Quantity
①	L Shape Bracket	4 PCS
②	Plastic Anchor	4 PCS
③	Long Screw (PA5mm*25mm)	4 PCS
④	Short Screw (M6mm*12mm)	4 PCS
⑤	Nut (M6mm)	2 PCS
⑥	Gasket (6mm*1mm)	2 PCS
⑦	Screw (M6mm*12mm)	2 PCS
⑧	Heater	1 Unit



Wall-Mounting / Ceiling Installation

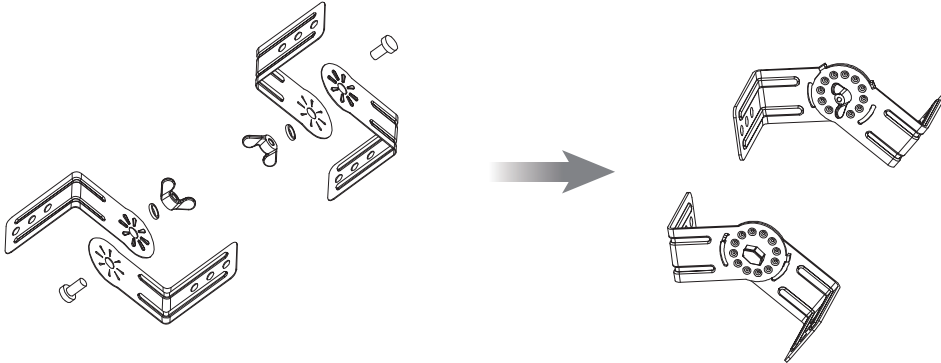
Safety Instruction

1. For both wall and ceiling mounting, the lowest part of the heater must be located at or above a minimum height of 2.4m/94.5" from ground level so that the heater cannot be touched while in operation.
2. For both horizontal and vertical mounting on the wall, there must be a min. distance of 0.4m/15.8" between the appliance and the ceiling.
3. The heater should always have a minimum clearance of 0.5m/19.7" from a ceiling and adjacent wall.
4. Before drilling ensure that there are no wires or water pipes in the area where the heater is to be installed.

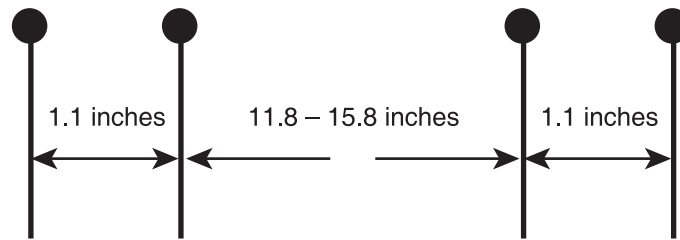
STEP 1:

L shaped Bracket installation

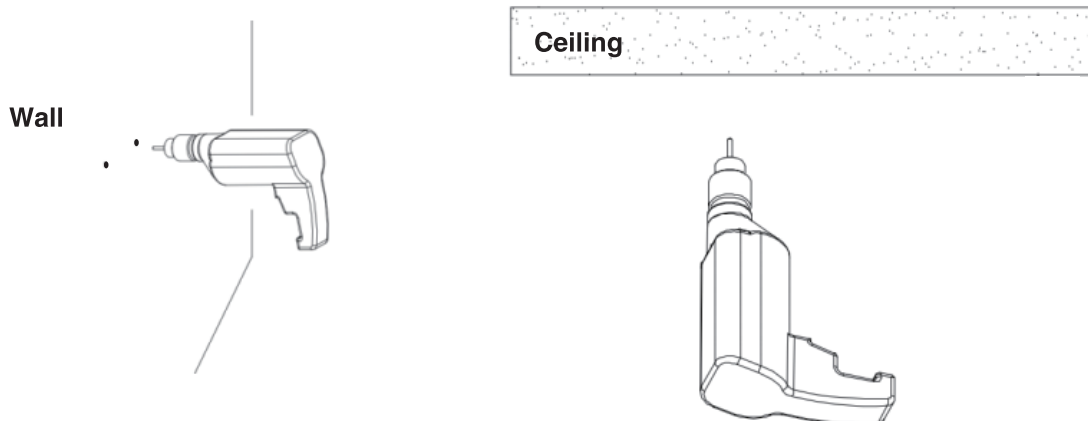
Fasten the L shaped bracket using the screws and nuts provided (No.5, No.6 and No.7)

**STEP 2:**

Mark holes on the place where the heater to be mounted with a pencil

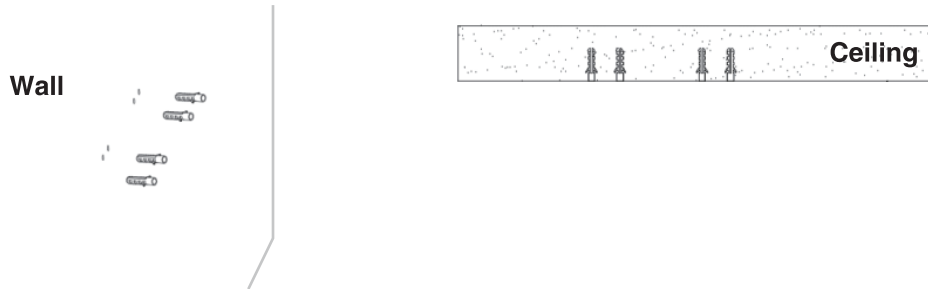
**STEP 3:**

Drill holes with a smaller diameter drill bit than the ② plastic anchors



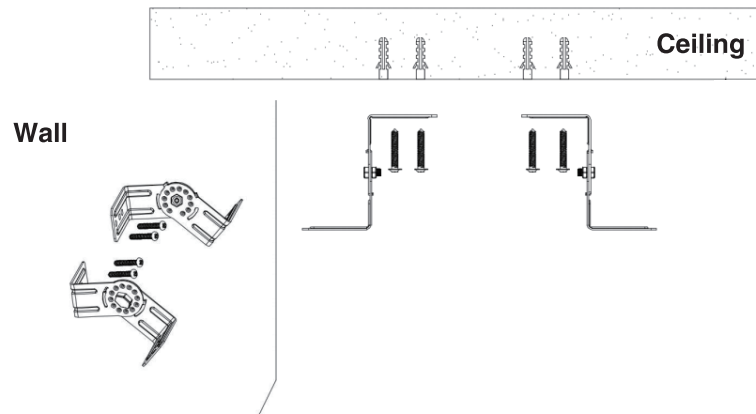
STEP 4:

Insert the point end of ② plastic anchor into the holes, Tap the anchor in with a hammer until the anchor is flush with the wall.



STEP 5:

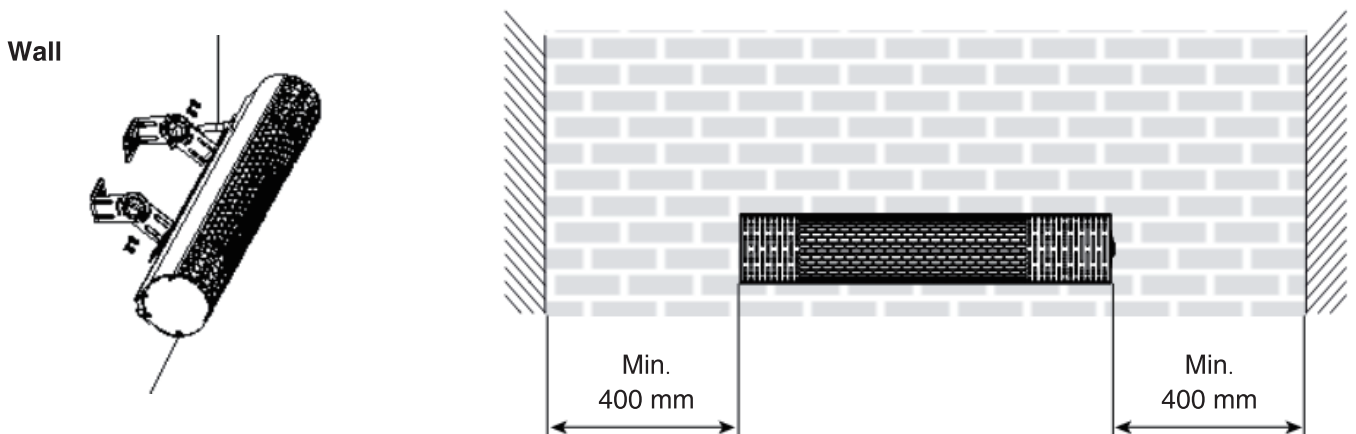
Using a screwdriver, attach ① the mounting bracket to the holes which with ② plastic anchor inside.



STEP 6:

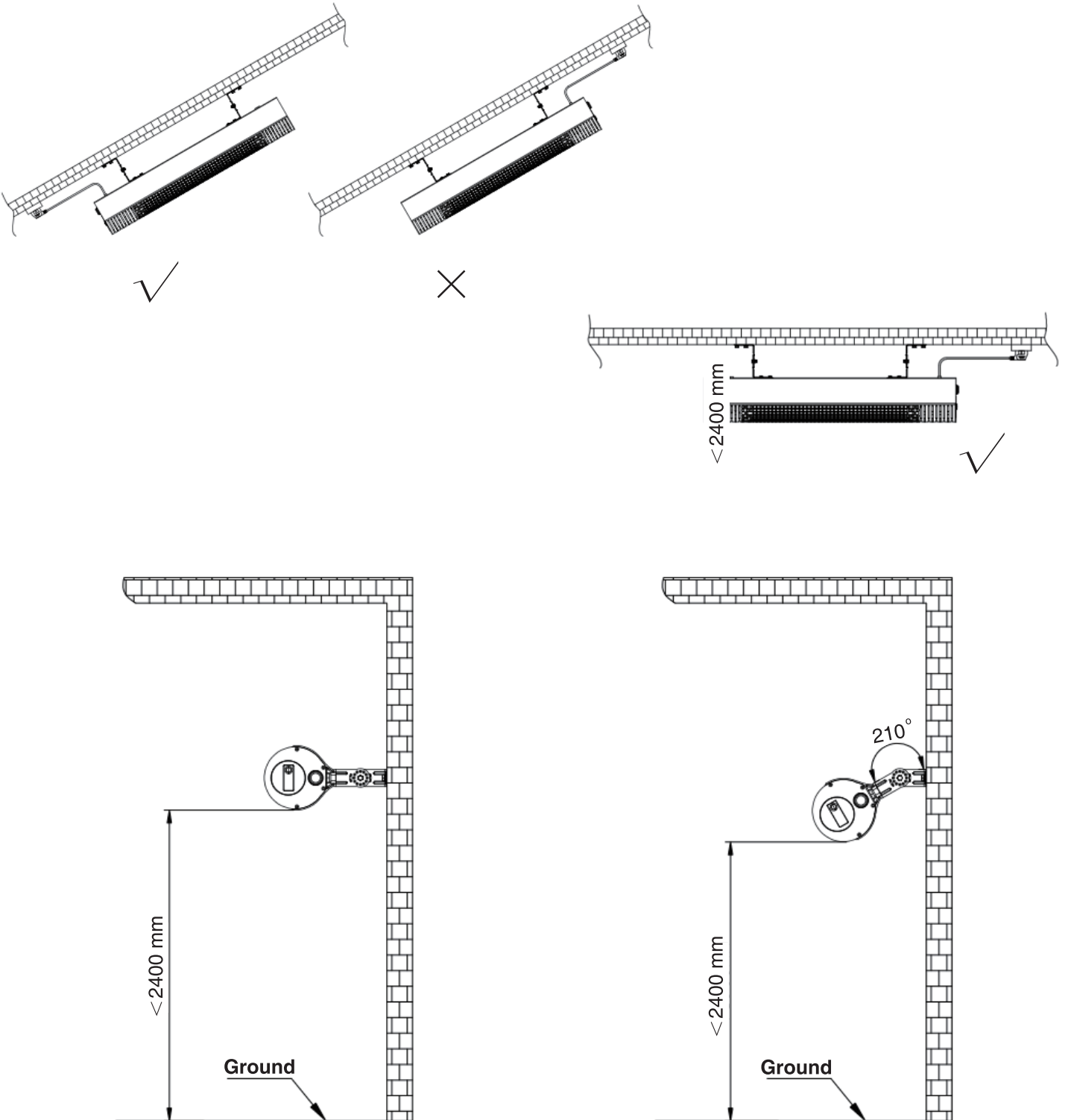
Fasten the heater ⑧ on the L shaped bracket ① with nuts ⑤ on the back of heater.

- Ensure mains power is OFF before commencing installation.
- The supplied main cable must not contact the top surface of the heater during operation.



Mounting Position

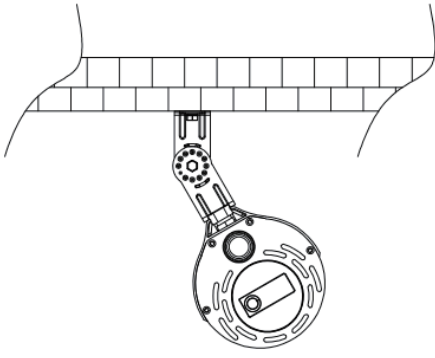
- When the heater is working, the hot air is on the top side. To avoid the damage of the electric elements from high-temperature air, the cable should not pass through the heater or on the above of the heater.



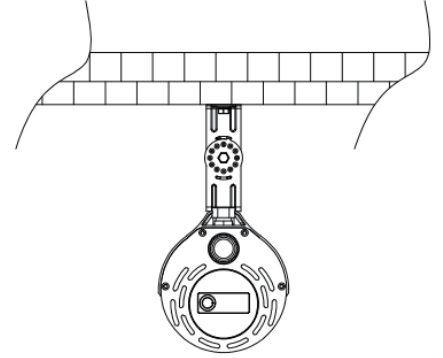
PLEASE DO NOT LET THE HEATER FACE TO THE FLOOR VERTICALLY

Note:

The heater has a tilt function. When the heater exceeds



✓



✗



✗



✓



✗



✓

Cleaning and Maintenance

Regular cleaning helps your infrared heater operate efficiently for many trouble-free years. To clean your heater, please follow the steps below:

1. Unplug the power cord before cleaning your appliance.
2. Make sure the heater is cool before continuing.
3. To keep the heater clean, the outer shell maybe cleaned with a soft, damp cloth. You may use a mild detergent if necessary. After cleaning, dry the unit with a soft cloth. (CAUTION: DO NOT let liquids enter the heater).
4. DO NOT use alcohol, gasoline, abrasive powders, furniture polish or rough brushes to clean the heater. This may cause damage or deterioration to the surface of the heater.
5. DO NOT immerse the heater in water
6. Wait until the heater is completely dry before use.

Storage: Store the heater in a cool, dry location when not in use to prevent dust and dirt build up. Use packaging carton to store. Remove batters from remote control before long-term storage (longer than 1 month.)

ATTENTION:

1. Always disconnect the heater from the electricity supply and allow it to cool before attempting to work on it.
2. If the heater has collected dust or dirt inside the unit or around the heating element, the unit must be cleaned by a qualified service agent. Do not operate the heater in this condition.
3. The only maintenance required is cleaning of the external surfaces of the heater.
4. Do not touch the heating element with bare fingers as residue from your hand could affect the life of the lamp. If it is accidentally touched, remove the finger marks with a soft cloth moistened with mentholated spirit or alcohol.
5. Do not attempt to repair or adjust any electrical or mechanical functions on this heater.
6. The heater contains no user-serviceable parts. Should the product suffer damage or breakdown, it must be returned to the manufacturer or its service agent.
7. Damaged supply cords must be replaced by the manufacturer, service agent, or similarly qualified person in order to avoid risk of fire or electrocution.

Recycling

At the end of the electrical products' useful life, it should not be disposed of with household waste.

Please recycle where facilities exist. Check with your Local Authority or retailer for recycling advice in your country.

Troubleshooting

1. Check if the power cord is plugged into an electrical outlet. If not, plug in.
2. Check if electricity to the main fuse is working.

Error Codes:

E1: Control unit overheat. Check installation clearances.

E2: Tip over function, make heater less than 60° working angel and restart heater

L1/2 shows in display, but no heat: The bulb is damaged. Please contact TURBRO support team via support@turbro.com for help.

Limited Warranty

We provide 1-year warranty on this product. For more information, please visit www.turbro.com/warranty.

What's covered?

Defects due to faulty materials and/or workmanship of the product

What's not covered?

1. Damage caused by the owner when attempting to fix or altering the product by himself or herself.
2. Damage caused by misuse, abuse, neglect, alterations, or unauthorized repair.
3. Natural depreciation.

Warranty Period

Warranty becomes effective from the date of original purchase and will last for 1 years.

Who's covered?

This limited warranty is only effective for the original purchaser. It is non-transferable.

How to request warranty services?

To obtain the benefit of this warranty, please email support@turbro.com. Our customer service team will address your issue as soon as possible!

TURBRO



© Katmai Technology Limited

support@turbro.com

www.turbro.com