

# USER MANUAL

**RECHARGEABLE  
MISTING FAN**

***AirSupply***

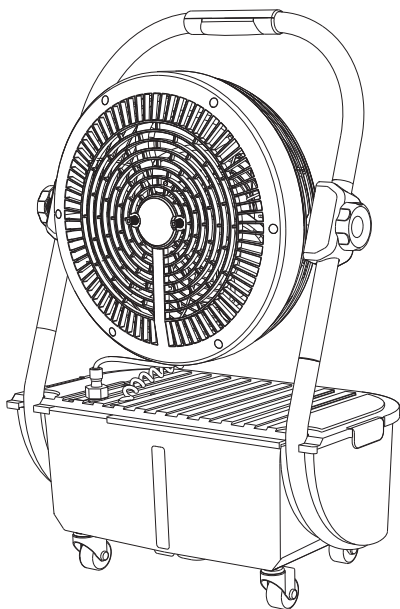
Model: MS12

## **IMPORTANT SAFEGUARDS**

READ ALL INSTRUCTIONS BEFORE USE.

RETAIN THIS MANUAL FOR FUTURE REFERENCE.

# **TURBRO**



# CONTENTS

<b>SAFETY INSTRUCTIONS .....</b>	<b>02</b>
<b>PACKAGE CONTENTS .....</b>	<b>04</b>
<b>SPECIFICATIONS .....</b>	<b>04</b>
<b>PRODUCT FEATURES .....</b>	<b>05</b>
<b>ASSEMBLY .....</b>	<b>06</b>
<b>HOW TO USE .....</b>	<b>12</b>
<b>MAINTENANCE AND CARE .....</b>	<b>15</b>
<b>WARRANTY INFORMATION .....</b>	<b>18</b>

# SAFETY INSTRUCTIONS

Please read all instructions before attempting to assemble, operate or install the product.

- Please keep the fan out of reach of children, and the fan is not intended for children.
- Keep children and bystanders away while operating an appliance. Distractions can cause you to lose control.
- Please turn off the fan before moving the fan or leaving.
- Please place the fan on horizontal, steady and stable surface in order to prevent overturning.
- When the fan is running, please don't put finger, pencil or any other object into the fan guard.
- It is forbidden to dismount, modify or use the fan for any other purpose.
- The power plug should be pulled out before cleaning the fan.
- It is forbidden to plug the charger into the outlet / pull the charger out of the outlet with wet hands.
- If the charger or power cord is damaged, it must be replaced by the manufacturer or its service agent or personnel with similar qualification so as to avoid danger.
- The charger we provide is dedicated, please don't use other charger.
- Do not use the provided charger for charging other products, as it is designed for specific use.
- Avoid using any solid-state speed regulating device to control the fan, as it may pose a risk of fire or electric shock.
- Before plugging in the outlet, make sure the rated voltage and frequency of the power supply is consistent with as shown on the charger label.
- It is forbidden to place the fan in or near fire, because there is battery inside the fan; otherwise, it may explode.
- Please don't charge for more than 24 hours continuously, and pull out the charger plug after being fully charged.
- Charging shall be completed indoor, please plug in the waterproof silicone cover at the charging port when using outdoor.

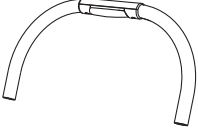
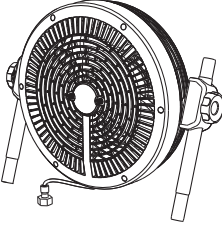
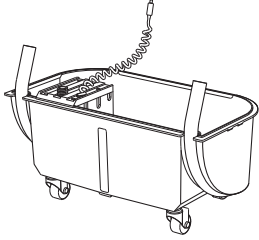
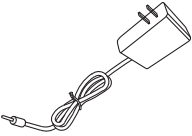
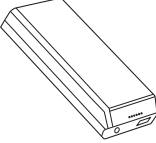
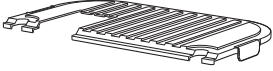
- Please cut off power prior to cleaning, it is forbidden to detach/open rotor protective cover to clean the rotor blade.
- Ensure that the battery compartment cover is completely closed to prevent water from contacting battery or entering battery port.
- Please don't disassemble or modify the fan battery.
- When cleaning the fan, please discharge the fan until the product is out of operation and out of charging state, use wet soft cloth with detergent or alcohol to clean the greasy dirt and dust (don't use gasoline or other liquid which is corrosive to plastic and oil paint), then wipe with dry cloth. Be careful not to collide with the fan blades and change the angle of the blades.
- Use appliance only with specifically designated battery packs. Use of any other battery packs may create a risk of injury and fire.
- Don't expose the battery to liquid or to strong mechanical impact.
- When detachable battery is not used, please keep it away from other metal object, such as clip, coin, key, nail, bolt or other little metal object. These metal objects can be connected from one terminal to another, short circuit of battery terminals can lead to sparkle, burn or fire.
- Do not expose a battery pack or appliance to fire or excessive temperature. Exposure to fire or temperature above 113°F (45°C) may cause explosion.
- User should not disassemble and replace internal components of the fan randomly; in case of failure, please contact with after-sales service department for maintenance.
- Never direct mist or water toward any electrical wiring or devices.
- Any technological improvement to this product is subject to change without prior notice.

## DISPOSAL

We actively encourage you to participate in the electronic recycling program, so please properly dispose of waste electronic products in accordance with local regulations, and do not treat the products as household garbage.



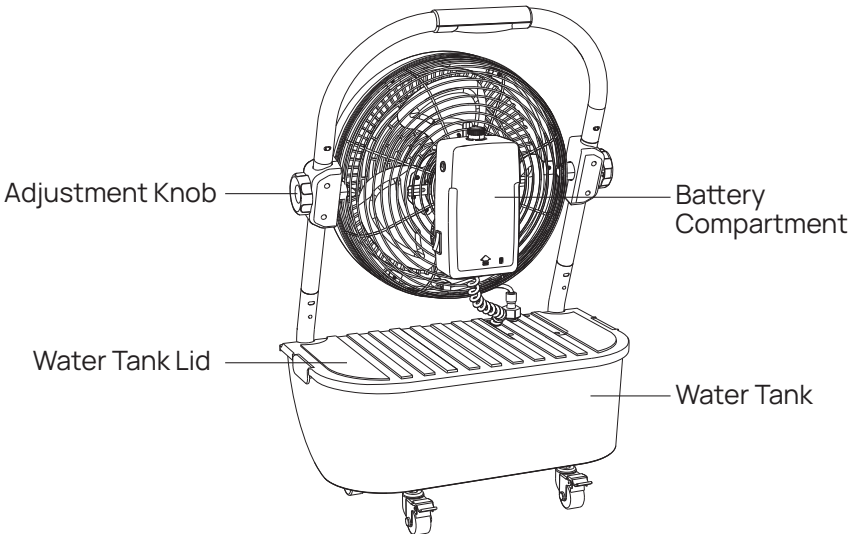
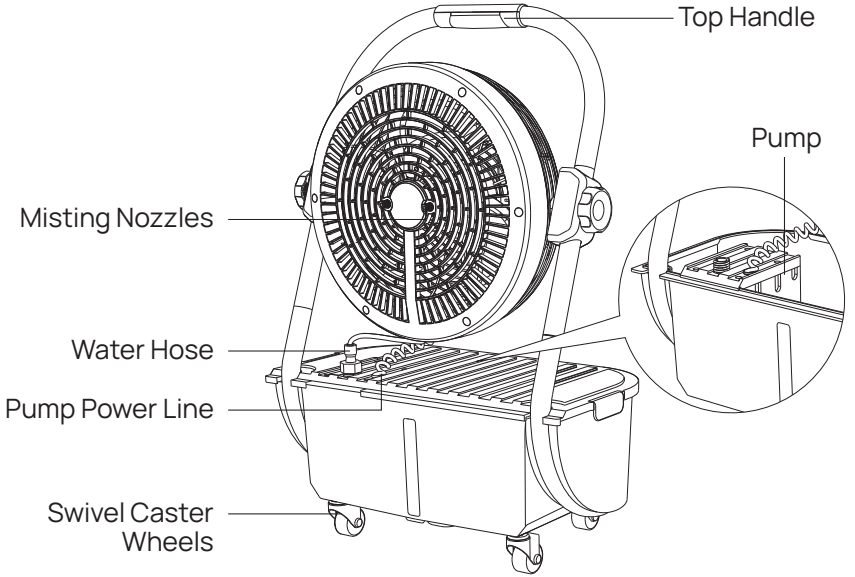
## PACKAGE CONTENTS

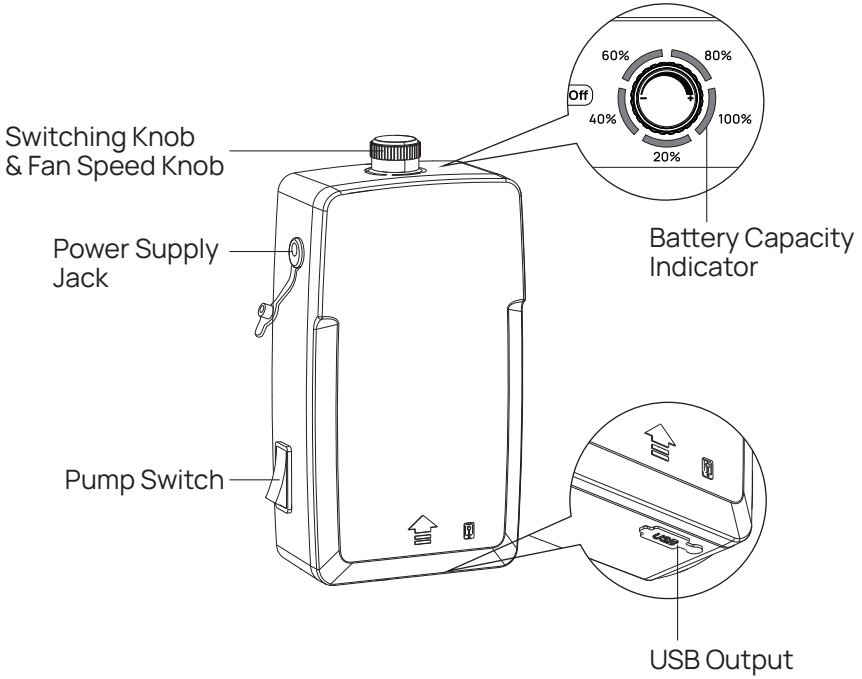
 <p>Upper Bracket</p>	 <p>Fan Unit</p>	 <p>Water Tank Unit</p>
 <p>Power Supply Charger</p>	 <p>Battery Pack</p>	 <p>Water Tank Lid</p>

## SPECIFICATIONS

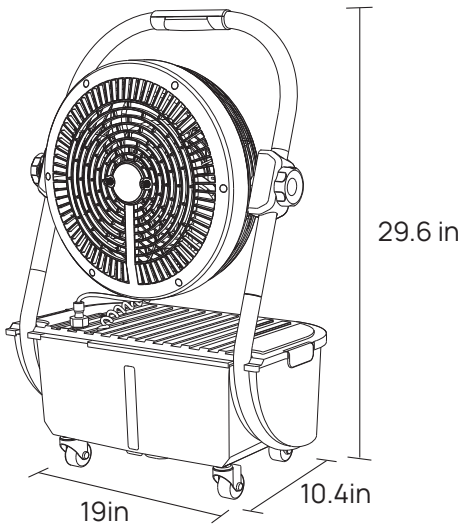
<b>Model</b>	<b>MS12</b>
<b>Power Supply</b>	<b>100-240V, 50/60Hz</b>
<b>Input Rating</b>	<b>24V DC, 1.2A</b>
<b>Lithium-ion Battery</b>	<b>3200mAh x 6 cells</b>
<b>Airflow</b>	<b>1500CFM</b>
<b>Water Tank</b>	<b>11L / 2.9Gal</b>
<b>Net Weight</b>	<b>15.4 LBS / 7.0KG</b>

# PRODUCT FEATURES





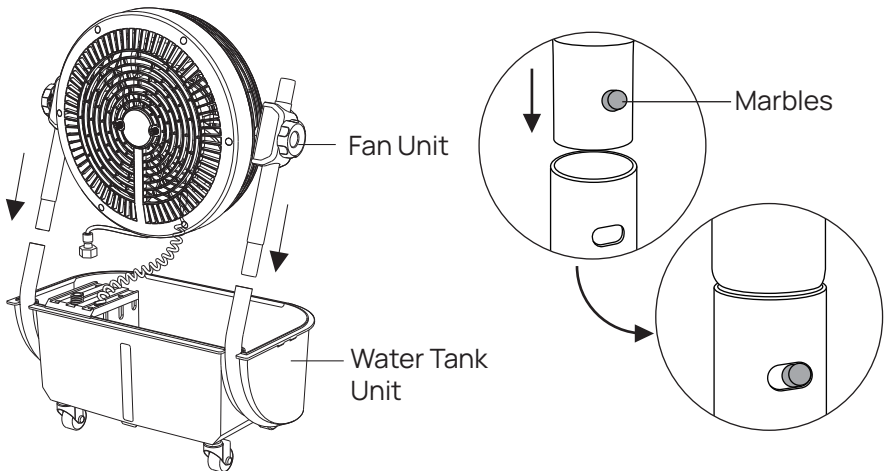
## Dimensions



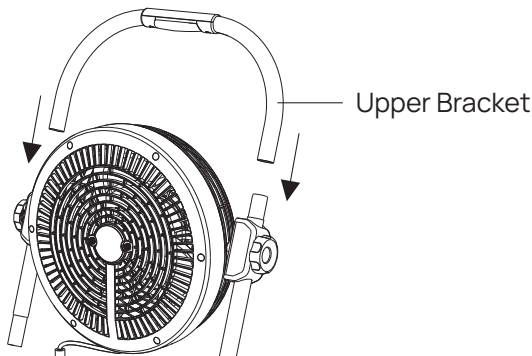
# INSTALLATION

**WARNING:** If any parts are damaged or missing, do not operate this product until the parts are replaced. Use of this product with damaged or missing parts could result in serious personal injury.

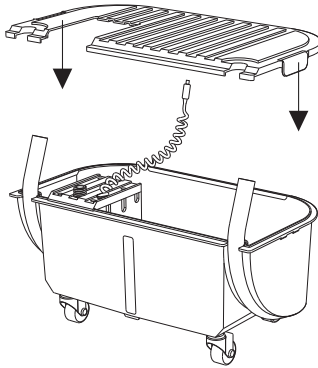
**Step 1.** Connect the Fan Unit and the Water Tank Unit, install the Main Support from the Fan Unit into the Subframe. Please pay attention to that the front direction of the fan is consistent with the front direction of the Water Tank. Press the Marbles on Main Support installation position and then align and plug them into the Subframe. The Marbles will bounce off and fit into place.



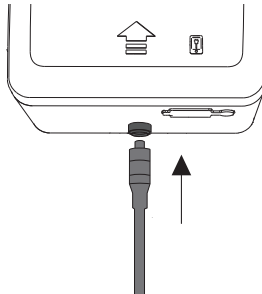
**Step 2.** Install the Upper Bracket into the Fan Unit refer to Step 1.



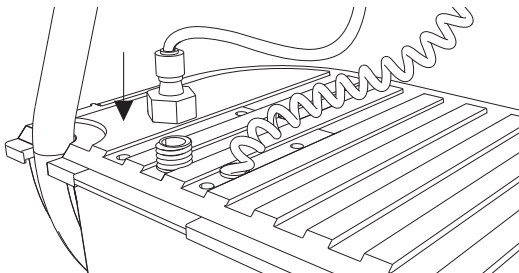
**Step 3.** Place the Water Tank Lid and make both lifting handles fasten with the Water Tank.



**Step 4.** Install Water Pump Power Line to the round socket at the bottom of the Battery Compartment.



**Step 5.** Connect and fasten the Water Hose to the Pump.

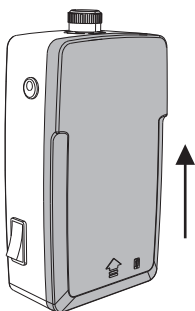


## Disassemble

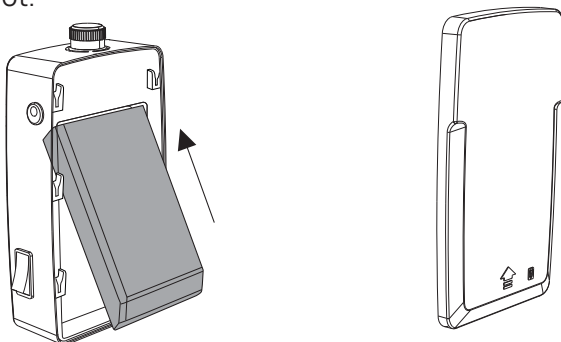
1. Before disassembling the product, please take out the Battery Pack and make sure that the fan is OFF.
2. Unscrew the Water Hose from the Pump and pull out the power line of the water pump.
3. Press down the marbles and pull out the Upper Bracket.
4. Press down the marbles and pull out the Fan Unit away from the Water Tank

## To Install / Remove the battery pack

1. Remove the battery cover by pushing it upward.

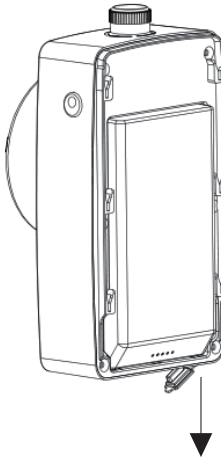


2. To install the battery pack.
  - a. Hold the battery with hands and push-up from the top of the battery into the battery slot.

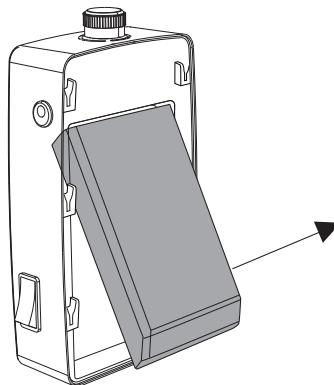


3. To detach the battery pack

- a. Uncover the USB waterproof silicone cover at the bottom.



- b. Hold two sides (bevel edge) of the battery bottom with hands and pull out the battery outwards.



4. Dislocate the rear cover slightly upward (Align the reference lines of the battery compartment and rear cover, as shown in Figure 1 below) and then push-down and fasten (as shown in Figure 2 below)

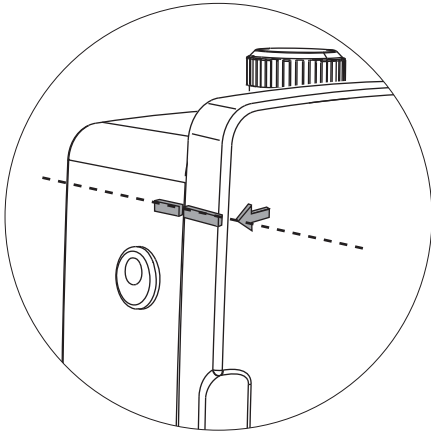


Figure 1

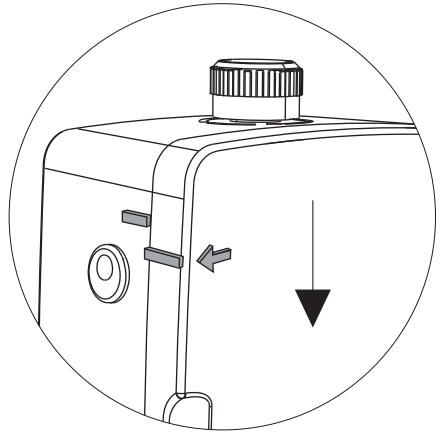
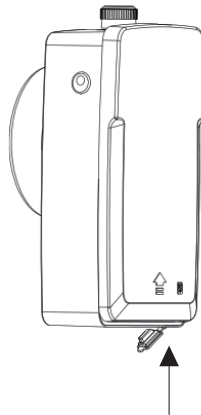


Figure 2

5. Fasten down the USB waterproof silicone cover at the bottom.



**Note:** Ensure that it is completely closed to prevent water from contacting battery or entering battery port.



# HOW TO USE

## CHARGE THE BATTERY PACK BEFORE FIRST USE

You can use the Fan function and Misting function separately or together.

### Fan Function

Rotate the Switch Knob on the control panel to turn on the fan. This fan adopts stepless speed regulation, after starting the fan, rotate indication point of the rotary switch from the symbol “-” to “+” to gradually increase the wind speed (please be noted that after rotary switch is at fixed point, wind speed shows 1 second delay in acceleration).

### Misting Function

Make sure the Water Pump Power cord to the round socket under the battery compartment, and the water hose is connected to the Pump.

**Note:** Use cold or room temperature clean water **only**.

1. Pour water into the water tank, the water should not exceed the maximum water level. And close the water tank lid correctly.
2. Press the pump switch button to start misting.

**Note:** If the water tank is short of water, the water pump will automatically stop working. Please fill the water to the water tank and the water pump switch needs to be turned back on to work properly.

### Adjusting the fan angle

1. Rotate the Adjustment Knob counterclockwise to loosen the adjustable fan enclosure.
2. Tilt the adjustable fan enclosure forward or backward to your desired angle. (as shown in Figure 3).
3. Rotate the Adjustment Knob clockwise to secure the fan enclosure at your desired angle.

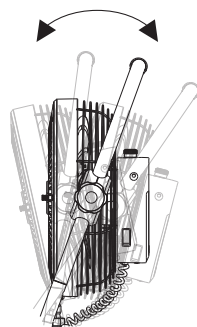


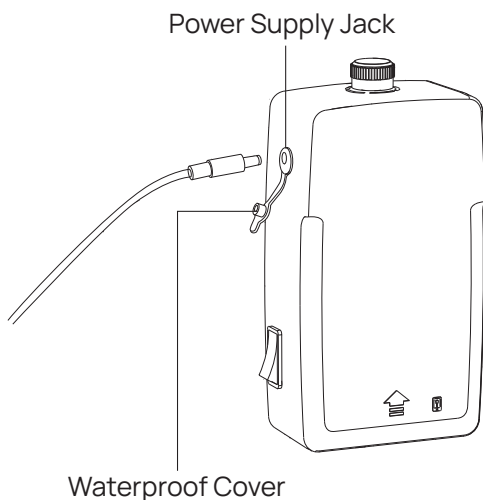
Figure 3

## Charging the battery

### Charging via Power Supply Jack

Please pull out the waterproof cover at the power supply jack, connect the power cord with the power supply jack at first, and then plug the charger to a suitable electrical outlet, the Battery Capacity Indicator light corresponding with the residual current will be in the state of flickering when charging. All indicator lights on top of the control panel are all on after being fully charged, and go out about 50 minutes later.

**After charging, please insert the waterproof cover back to prevent water from contacting the charging port.**

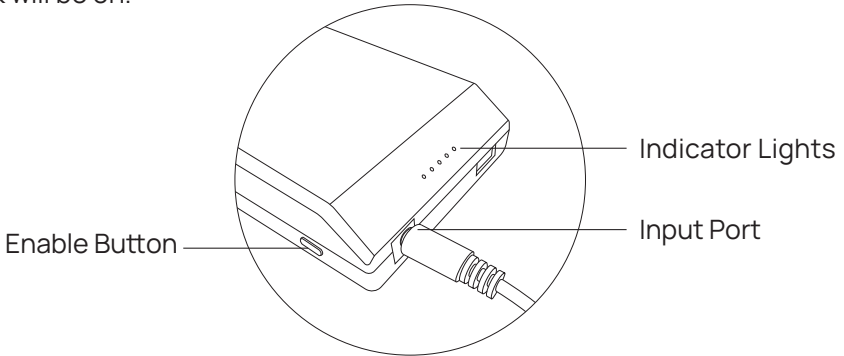


### WARNING

This method of charging cannot be used when using the mist function or using outdoors, or areas exposed to water or moisture.

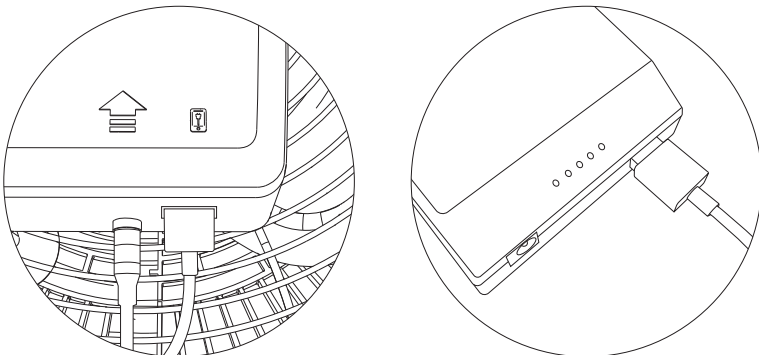
## Charge the battery pack separately

After the product is discharged and it is necessary to take down the battery pack to charge separately, please take down the battery pack by step, there is power display enable button at the side of detachable battery; in case of pressing this enable button, 5 indicator lights at the bottom of the battery will display the residual current, which will be evenly distributed 20%~100% of electricity, connect the power cord with the battery input port at first, and then plug the charger to a suitable electrical outlet, power indicator light c corresponding to the residual current will be in the state of flickering when charging. After being fully charged, all power indicator lights on the battery pack will be on.



## USB Charging Port

The USB charging port on the Battery Compartment / Battery Pack can be used to recharge digital devices such as smart phones (USB cable NOT included). The output of USB port is 5V 1A.



# MAINTENANCE AND CARE

**Warning:** To avoid serious personal injury, always remove the battery pack from the product when cleaning or performing any maintenance.

## Fan Body Maintenance

Clean the body of the fan with a damp cloth, wipe it clean, or clean it with a vacuum cleaner. Do not use gasoline, thinners, solvents, ammonias or other chemicals for cleaning. Pay attention not to collide with the fan blade and change the angle of the fan blades.

## Battery Maintenance

Recharge only with the charger specified by the manufacturer. A charger that is suitable for one type of battery pack may create a risk of fire when used with another battery pack.

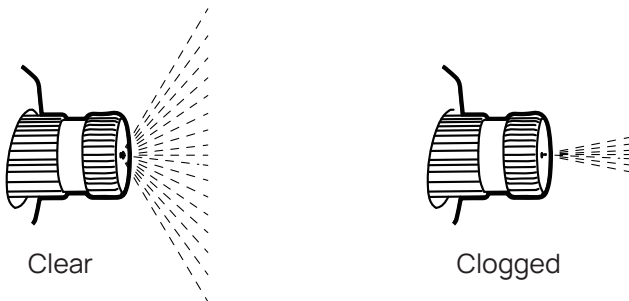
### IMPORTANT

**Before long-term storage, turn off the fan and fully recharge it. The battery may discharge if not used. If the battery reaches zero for an extended period, it may malfunction, It's recommended to recharge it again within 3 months of storage.**

## Mist Nozzles Maintenance

Ensure that all misting nozzle maintenance is performed properly to prevent water leaks. The leaks can result in a slippery surface creating a slip and fall hazard or cause property damage. Irregular mist patterns or leakage may be the result of a clogged or dirty nozzle.

### To clear the nozzles



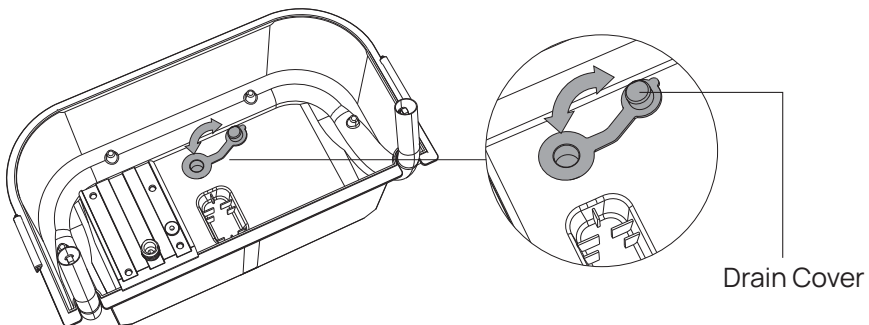
1. Turn off the pump and the fan.
2. Remove the misting nozzles from the front grill by rotating them in a counterclockwise direction.
3. Disassemble each affected nozzle into parts.



4. To remove any foreign particles clogging or restricting the nozzles, flush the nozzle parts with water. To remove scale (mineral) buildup, clean the nozzle parts with white vinegar or other de-scaling agent as necessary.
  5. Reassemble the nozzles.
- NOTICE:** To prevent clogging, make sure that the nozzle is assembled exactly.
6. Reattach the cleaned nozzles to the front grill.

### Water Tank Maintenance

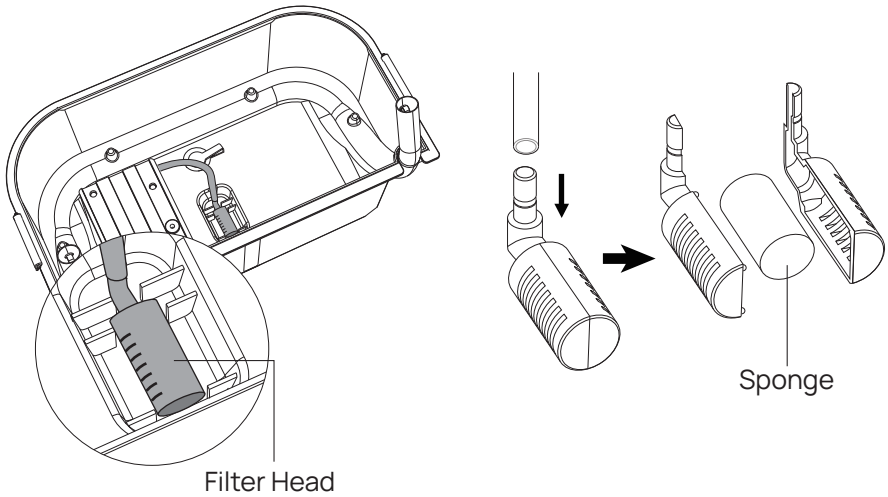
1. Use cold or room temperature clean water **only**.
2. Always drain away water in the water tank thoroughly after use every time. Clean and dry the water tank prior to storing the product.
3. There is drain hole at the bottom of the water tank, please take this product to where it is possible to drain away water, place the product vertically on the horizontal floor, open the drain hole at the bottom of the water tank to drain away water.



### Filter Maintenance

In order to avoid blocking the misting nozzle hole, water inlet end of the water pump is provided with filter head and inside with filter sponge, periodically examine the filter at the end of the water inlet to make sure that it is in good condition.

To clean it, please dismount the filter head or clean the sponge regularly based on the actual situation.



## WARRANTY INFORMATION

TURBRO provides a 1-year limit for TURBRO Misting Fan, from the date of purchase, subject to the following conditions and limitations.

### WHAT IS COVERED?

- Any alteration or misuse of the product will nullify this warranty.
- This warranty is non-transferable and is effective for the original buyer from the authorized seller only.
- This warranty is limited to the repair or replacement of part(s) proved to be defective in material or workmanship after said defect is confirmed by the manufacturer's inspection.
- The manufacturer may, at its discretion, fully discharge all obligations with respect to this warranty by refunding the wholesale price of the defective part(s).

### WHAT IS NOT COVERED?

- Damage caused by the owner when attempting to fix or alter the product themselves.
- Damage caused by misuse, abuse, neglect, alterations, or unauthorized repair.
- Natural depreciation.

### HOW TO REQUEST WARRANTY SERVICES?

- To obtain the benefit of this warranty please leave a message online ( [turbro.com/pages/contact-us](http://turbro.com/pages/contact-us) ) , or send an email to [support@turbro.com](mailto:support@turbro.com). Our customer service will address your issue within 24 hours.

### WHAT WILL TURBRO DO?


- Replace the item.
- Refund the item under certain circumstances.

# TURBRO



 [support@turbro.com](mailto:support@turbro.com)

 [www.turbro.com](http://www.turbro.com)

 [\(323\) 438-3334](tel:(323)438-3334)