

**TURBRO**

---

 *Neighborhood*

# **USER MANUAL**

POND DEICER

MODEL: PD400A

## IMPORTANT SAFETY INSTRUCTIONS

When using a Pond Deicer, basic precautions should always be followed to reduce the risk of fire, electric shock, and injury to persons, including the following:

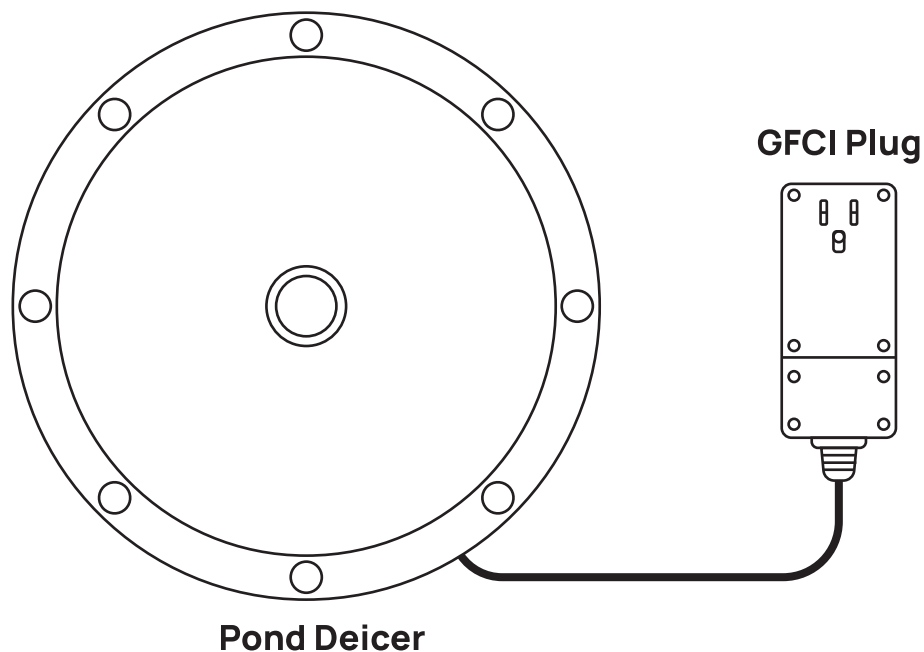
1. Read all instructions before installing or using this Pond Deicer, Failure to do so may result in loss of fish life and/ or damage to this appliance.
2. To provide continued protection against risk of electric shock, connect to properly grounded.
3. Have a qualified electrician install a properly grounded receptacle outlet , acceptable for outdoor use and protected from snow and rain, immediately adjacent to the location where the de-icer will be used.
4. Route the supply cord and locate the de-icer so as to be protected from damage by live stock.
5. Do not use extension cords.
6. Allow 10 minutes for the unit to cool before removing the de-icer from the pond.
7. Do not install this product near combustible material.
8. To avoid possible electric shock, special care should be taken since water is employed in the use of pond equipment. For each of the following situations, do not attempt repairs yourself; return the appliance to the store where it was purchased if still under warranty.
9. The appliance is not intended for use by persons (including children) with significantly impaired physical or mental capabilities, unless they have been given supervision or instruction concerning the use of the appliance by a person responsible for their safety. Children should always be supervised to ensure that they do not play with the appliance.
10. To avoid injury, do not touch hot parts. Store product indoors when not in use – out of the reach of children.

11. **CAUTION- THIS IS A DE-ICER FOR PONDS.** It has been evaluated for use with fresh water only. Do not use this appliance for other than its intended use (i.e.: do not use in swimming pools, bathtubs, etc.). The use of attachments not recommended or sold by the appliance manufacturer may cause an unsafe condition.

- Do not use this appliance in swimming pools or other situations where people are immersed.
- Do not use this appliance with inflammable or drinkable liquids.

12. **WARNING - Risk of electric shock** - This appliance is supplied with a grounding-type or earthing-type attachment plug. To reduce the risk of electric shock, be certain that it is connected only to a properly grounded.

## SPECIFICATIONS



Model Number	PD400A
Power Supply	120V/60 Hz
Rated Power	400W
Cord Length	32.8 Feet/ 10 Meters
Item Dimensions	7.4 x 7.4 x 4.4 Inch 188 x 188 x 113 mm
Item Weight	4.0 Lbs (1.8 kg)

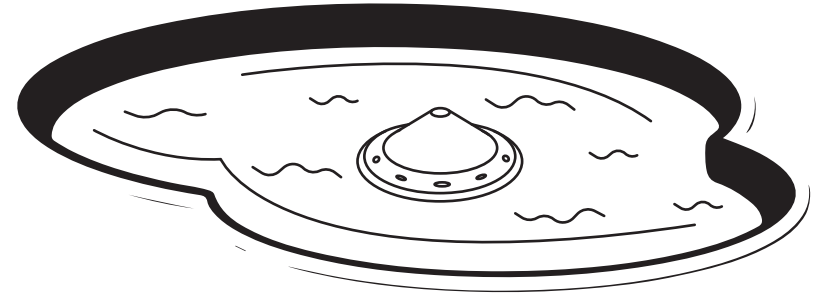
## INSTALLATION

The primary function of a de-icer is to maintain a small opening at the surface of the pond to allow efficient oxygen exchange.

### In an unfrozen pond.

#### Step 1

We recommend floating the Pond Deicer over the deepest part of the pond, then begin to use.



### In a frozen pond.

#### Step 1

Fill a pot of suitable size with boiling water, attach a cord to it and place it on the frozen surface. The pot will eventually melt a hole through the ice surface.

#### Step 2

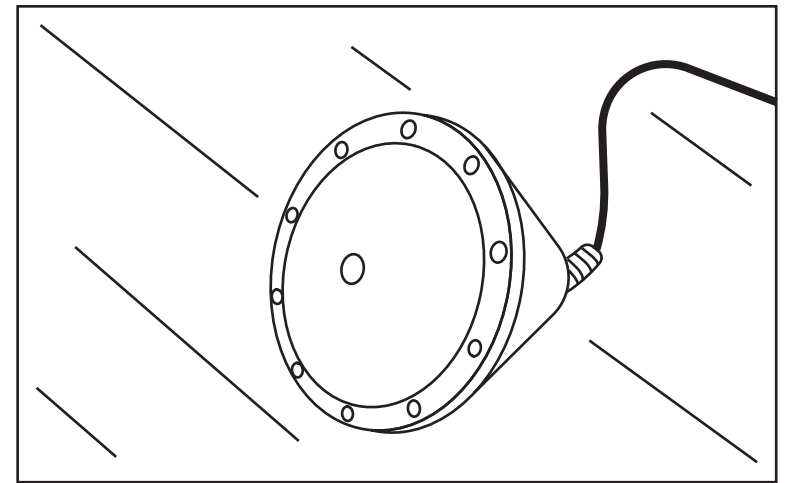
When a suitably large hole is created, install the pond deicer to the hole, then begin using it.

**Note: Never break or chop at the ice as the shock waves can unnecessarily stress pond fish.**

#### Step 3

In addition, you can lay the de-icer on its side to enable it to slowly melt through the ice. Please be patient, as the de-icer may take several hours to completely melt through the ice. The time required depends on the size of the pond and the temperature.

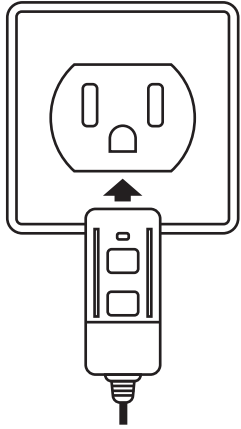
**Note: As the de-icer starts to melt through the ice, you may need to adjust or reorient it in an upright position.**



## OPERATION

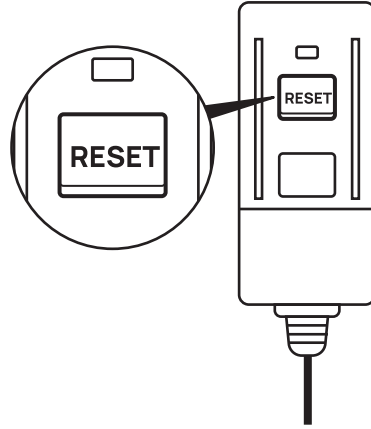
### Step 1

Plug into the receptacle.



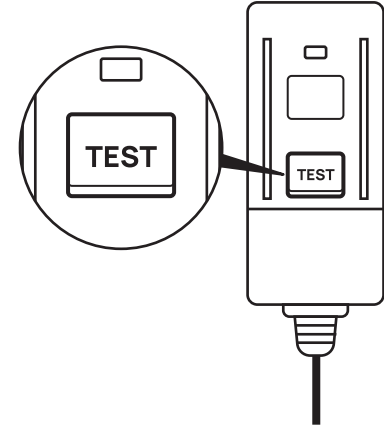
### Step 2

Press the “reset” button, the indicator will light red.



### Step 3

Press the “test” button, the indicator should be off.

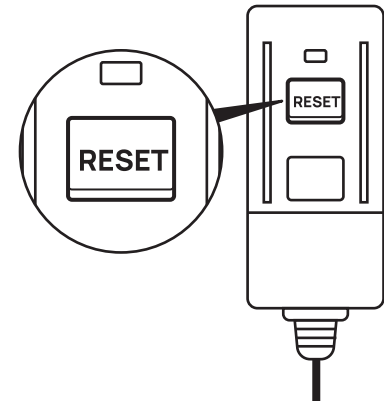


### Step 4

Press the “reset” button to turn on the pond de-icer. The pond de-icer’s indicator light will turn red when the unit is warm or heating up, and green when it is cool or not heating.

#### Note:

1. Do not use if test failed (the light does not off after pressing the "test" button).
2. Do not touch the pond de-icer when indicator light is red. Make sure the pond de-icer is unplugged and cool down before touching it.
3. If there is a leakage situation, the indicator light will turn off.



## CLEANING AND MAINTENANCE

1. In the springtime, or when pond deicer is no longer needed, unplug the unit and let sit in the pond for at least an hour, to allow for proper cooling before store.
2. Prior to storing the unit, or when not in use, we recommend that you clean the outside surface with a mild acid, like white vinegar, and then rinse thoroughly with clean tap water. This will remove calcium deposits and will not damage the stainless steel finish. Allowing calcium deposits to build up on the unit may impede the thermostat from working correctly.

## TROUBLESHOOTING

Fault Reasons and Solutions		
Error Code	Analysis	Troubleshooting method
Green light flash	Temperature sensor failure	Contact TURBRO support team for help
Red light flash	Over temperature protection	Contact TURBRO support team for help

## WARRANTY

### 1 YEAR WARRANTY

TURBRO provides 1-year limited warranty for TURBRO pond deicer, from the date of purchase, subject to the following conditions and limitations.

#### What is covered?

- Any alteration misuse of the product will nullify this warranty.
- This warranty is non-transferrable, which is effective for the original buyer from the authorized seller only.
- This warranty is limited to the repair or replacement of part(s) proved to be defective in material or workmanship, after saiddefectis confirmed by the manufacturer's inspection.

#### What's NOT covered?

- Damage caused by the owner when attempting to fix or alter the product themselves.
- Damage caused by misuse, abuse, neglect, alterations, or unauthorized repair.
- Natural depreciation
- How to request warranty services?

To obtain the benefit of this warranty, please leave a message online (<https://www.turbro.com/pages/contact-us>), or sendan email to **support@turbro.com**, Our customer service will address your issue within 24 hours.

#### What will TURBRO do?

- Replace the item.
- Refund the item under certain circumstances



**WARNING Cancer and Reproductive Harm**  
[www.p65warnings.ca.gov](http://www.p65warnings.ca.gov)

# TURBRO



© Katmai Technology Limited

✉ [support@turbro.com](mailto:support@turbro.com)

🌐 [www.turbro.com](http://www.turbro.com)

☎ [\(323\) 438-3334](tel:(323)438-3334)