

USER MANUAL

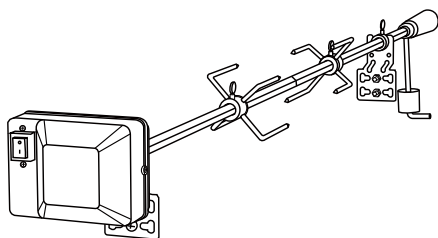
ROTISSERIE
KIT

 Fireside

MODEL: RK45

KEEP THIS USER MANUAL FOR FUTURE
REFERENCE.

TURBRO



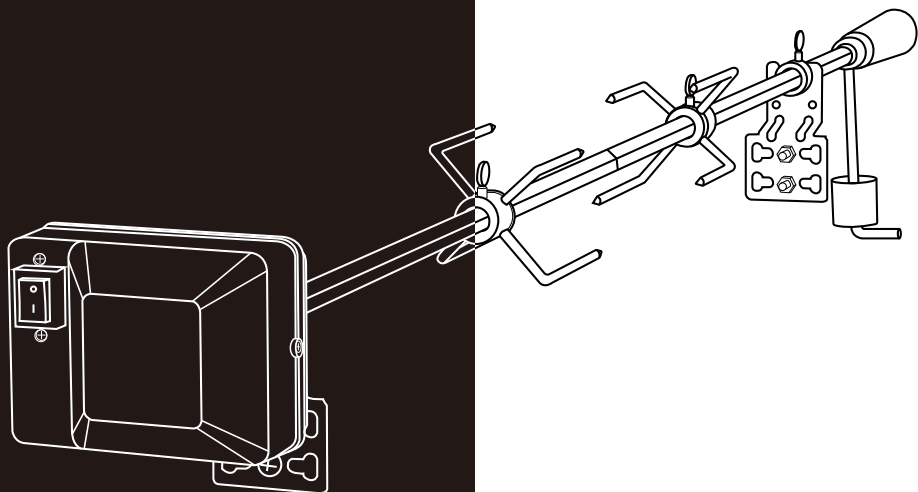
TURBRO

ROTISSERIE
KIT

 *Fireside*

MODEL: RK45

USER MANUAL



KEEP THIS USER MANUAL FOR FUTURE REFERENCE.

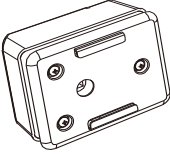
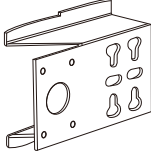
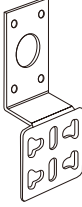

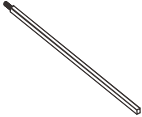
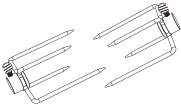
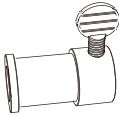
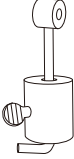
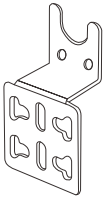
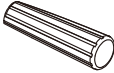

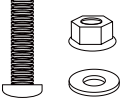
Safety Instructions

- Read all instructions before using your rotisserie motor.
- Remove the motor and store it in a dry place when not in use.
- This rotisserie motor is not for use by children.
- Do not touch hot surfaces. Use barbecue mitts.
- To protect against electrical hazards do not immerse cord, plugs, or motor in water or other liquids.
- Unplug the motor from the outlet when not in use, or before cleaning
- Make sure the motor is off before placing it on the motor bracket.
- Do not operate the rotisserie motor with a damaged cord or plug.
- Do not use rotisserie for other than intended use.
- Do not operate the rotisserie motor if it should malfunction.
- Do not let the cord hang over any sharp edge or hot surface.
- Use outdoors only, do not expose to rain.
- If it is necessary to use an extension cord, always select one that has a three-pronged (grounded) power plug that is adequate for the power rating of the unit, that has been approved for outdoor use.
- Do not cut or remove the grounding prong from the rotisserie motor power cord.
- When using an extension cord, make sure it is not in contact with a hot or sharp surface.
- To reduce the risk of electric shock, keep the extension cord connection dry and off the ground.
- Caution must be taken to prevent tripping over the power cord.

Specifications

Power Supply	120 V / 60 Hz AC ZP
Rated Power	4 W
Rotate Speed	2-2.4 r / min
Capacity	20 lbs
Power Cord Length	59 in / 150 cm

Parts List

<p>A</p> 	<p>B</p> 	<p>C</p> 	<p>D</p> 
<p>E</p> 	<p>F</p> 	<p>G</p> 	<p>H</p> 
<p>I</p> 	<p>J</p> 	<p>K</p> 	<p>L</p> 

Part	Description	Part	Description
A	Motor	G	Rod Bushing
B	Motor Mount	H	Counterweight
C	Motor Mount Support Bracket	I	Rod Support Bracket
D	17in Spit Rod x2	J	Rod Handle
E	11in Extension Spit Rod	K	M4 Screw x4
F	4-Prong Meat Fork x 2	L	1/4" Bolt & Nut & Washer x4

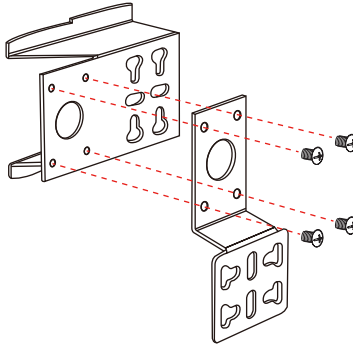
Preparation

Before beginning assembly or operation, make sure all parts are present. Compare parts with parts list. If any part is missing or damaged, do not attempt to assemble or operate the product. Contact customer service for replacement parts.

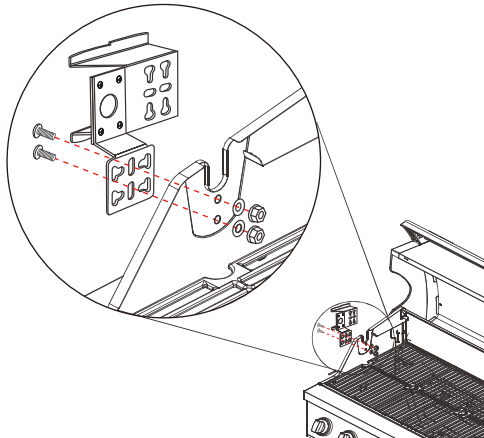
- Tools Required for Assembly (not included): Screwdriver, Pliers



1. Attach Motor Mount(B) on the Motor Mount Support Bracket(C) with M4 Screws(K).

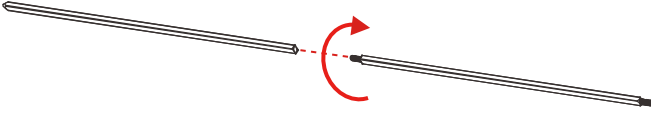


2. Attach the Motor Bracket Set on the outside of the grill's left side (or right, depending on the grill) with 1/4" Bolts & Nut & Washers(L).



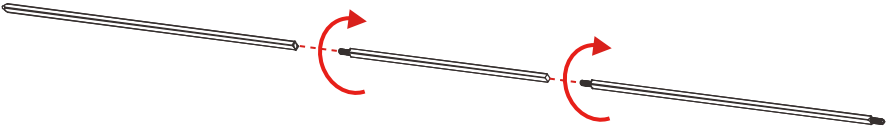
3. Assemble your spit rod to the length that you need.

- a. Screw the 17in Spit Rods(D) together. Tighten the spit rods securely with pliers.
Fits grills with a cookbook up to 28" wide.

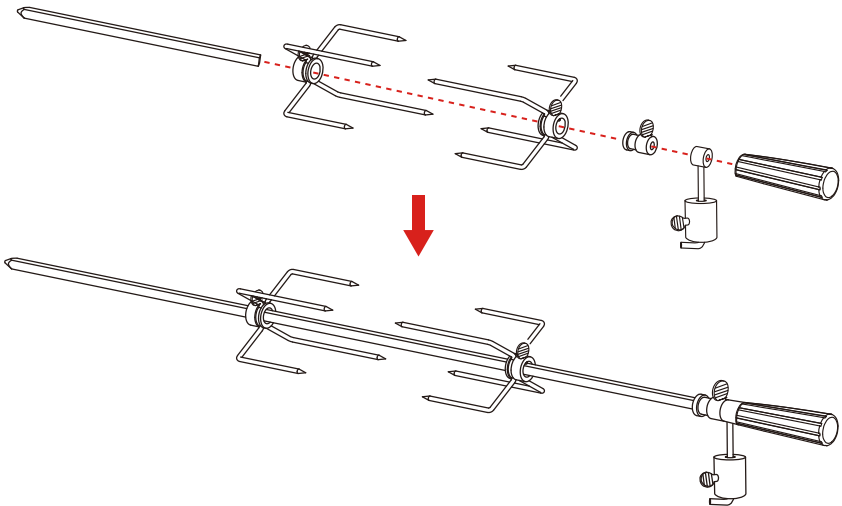


- b. Screw the 17in Spit Rods(D) and 11in Extension Spit Rod(E) together. Tighten the spit rods securely with pliers.

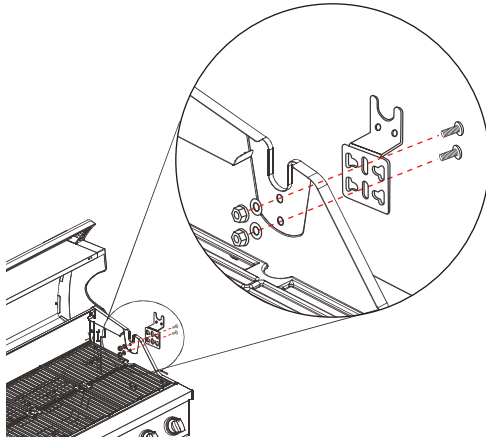
Fits grills with a cookbook up to 39" wide.



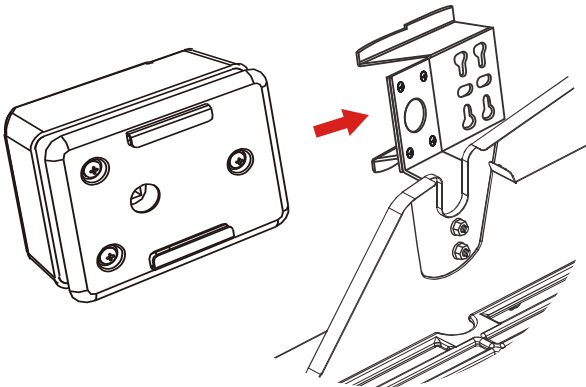
4. Slide Meat Forks (F) and Rod Bushing (G) and Counterweight (H) through the Spit Rod, screw in the thumb screws to hold the forks and rod bushing in place and screw the Rod Handle (J).



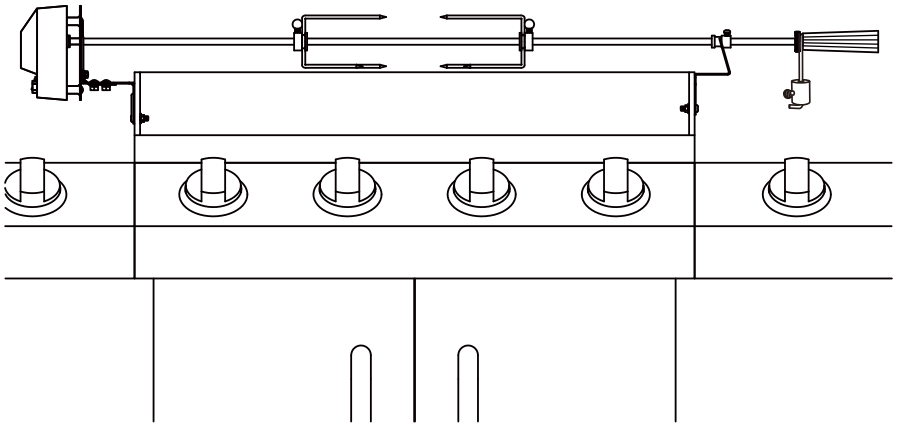
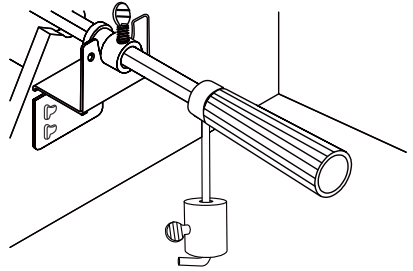
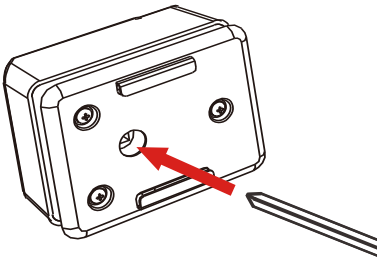
5. Attach the Rod Support Bracket(I) on the outside of the grill's right side with 1/4" Bolts & Nut & Washers (L).



6. Mount the Motor (A) onto the Motor Mount (B).



7. Slide Spit Rod into Motor socket, make sure the Rod Bushing(G) is resting on the Rod Support Bracket(I) and that Spit Rod is aligned properly with the rotisserie Motor(A).



Using a combination of sections, securely assemble the spit rod to a length that will rest on both the Motor socket and the Rod Support Bracket.

1. Your multi-piece spit rod is designed to fit a wide variety of grill sizes. Here are some considerations to keep in mind when assembling your spit rod.

- Use only the pieces needed to span the width of your grill.
- Your spit rod handle should always be outside of the firebox.
- Tighten the spit rod securely with pliers after the proper length has been determined.
- Insert the motor section fully into the motor.

Operating Tips

- Tie meat or poultry with a string to make the shape as uniform as possible before putting it on the spit rod.
- Push the rotisserie spit rod through the approximate center of the food.
- Remount the food if necessary for better balance.
- If foods are too heavy or are irregular shapes, they may not rotate well and should be cooked by the indirect cooking method without using the rotisserie.

Warranty Information

TURBRO provides 1-year limited warranty for FIRESIDE Rotisserie Kit, from the date of purchase, subject to the following conditions and limitations.

WHAT IS COVERED?

- Any alteration or misuse of the product will nullify this warranty.
- This warranty is non-transferrable and is effective for the original buyer from the authorized seller only.
- This warranty is limited to the repair or replacement of part(s) proved to be defective in material or workmanship after said defect is confirmed by the manufacturer's inspection.
- The manufacturer may, at its discretion, fully discharge all obligations with respect to this warranty by refunding the wholesale price of the defective part(s).

WHAT IS NOT COVERED?

- Damage caused by the owner when attempting to fix or alter the product themselves.
- Damage caused by misuse, abuse, neglect, alterations, or unauthorized repair.
- Natural depreciation.

HOW TO REQUEST WARRANTY SERVICES?

- To obtain the benefit of this warranty please leave a message online (www.turbro.com/pages/contact-us), or send an email to support@turbro.com. Our customer service will address your issue within 24 hours.

WHAT WILL TURBRO DO?


- Replace the item.
- Refund the item under certain circumstances.

TURBRO



 support@turbro.com

 www.turbro.com

 [\(323\) 438-3334](tel:(323)438-3334)