



Vertex Water Features Pond and Lake Aeration

BOTTOM AERATION



AIR1 XL4™

The Vertex Air1 XL4™ pond aerator is a super-efficient, affordable and safe system. In a typical pond, an Air1 XL4™ can aerate approximately 1-2 acres depending on shape, slope, oxygen demand and other factors. A 1/3hp (0.25kW) Brookwood™ SafeStart™ compressor, housed in our rustproof aluminum outdoor cabinet, feeds a bottom mounted CoActive AirStation™ utilizing Vertex's MicronBubble™ technology. The rising force of millions of bubbles circulates the entire water column, entraining bottom water up to the surface allowing vital oxygen to be absorbed and poisonous gasses expelled. With no electricity in the water, Vertex's aeration systems are safe for any type of water recreation.

Our systems have a full 3-year warranty, excluding wearable parts (air filters and compressor maintenance kits) plus a Limited Lifetime warranty against rust and corrosion on the cabinet, 5-year warranty on the AirStations™ and a 15-year warranty on BottomLine™ supply tubing.



FEATURES

AIRSTATIONXL4™

- ◆ Total pumping capacity of up to 7,800 GPM
- ◆ Four 9" flexible membrane discs with MicronBubble™ technology
- ◆ Self-cleaning, low maintenance
- ◆ Vacuum formed and sonic welded HDPE base units
- ◆ Lipped edge prevents sinking into soft bottom sediments
- ◆ 5-year "No Questions" warranty

BROOKWOOD™ COMPRESSOR

- ◆ 1/3hp (0.25kW) - low electrical costs
- ◆ Vertex SafeStart™ Technology
- ◆ UL, 115v or 230v, 35 Max PSI
- ◆ Highest flow rate in its class
- ◆ Thermal overload protection
- ◆ 2-3 year extended duty cycle between scheduled maintenance
- ◆ Full 3-year Vertex warranty, excluding wearable parts (air filters and compressor maintenance kits)

QUIETAIR™ CABINET

- ◆ Class "A" GFCI protection on all 115V circuits
- ◆ Powder coated aluminum for a durable attractive finish
- ◆ High capacity 140 CFM fan
- ◆ Easy access design with cam lock
- ◆ Easy plug-in connection to waterside electrical service
- ◆ Disconnect switch
- ◆ Heavy duty, light weight mounting pad included
- ◆ Sound dampening kit optional
- ◆ Limited lifetime warranty against rust

BOTTOMLINE™ TUBING

- ◆ Over-sized I.D. for high flow
- ◆ Self-weighted for easy installation
- ◆ Available in 100' and 500' increments
- ◆ 15-year Vertex warranty

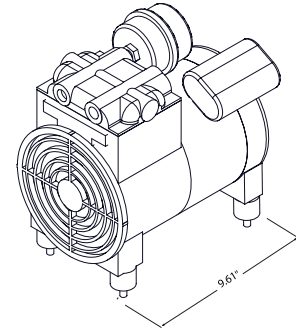
BENEFITS TO THE LAKE

- ◆ High pumping rate easily penetrates stratification layers
- ◆ Circulates entire water column
- ◆ Increases oxygen levels throughout water column
- ◆ Promotes beneficial bacteria growth
- ◆ Prevents low oxygen fish kills
- ◆ Reduces nutrient levels and associated algae growth
- ◆ Oxidizes/reduces bottom muck
- ◆ Expands oxygenated habitat for improved fisheries
- ◆ Reduces aquatic midge and mosquito insect hatches
- ◆ Eliminates foul odors from undesirable dissolved gases
- ◆ Safe entry – no electricity in the water
- ◆ Extremely energy efficient

SPECIFICATIONS: AIR1 XL4™ LAKE AERATION SYSTEM

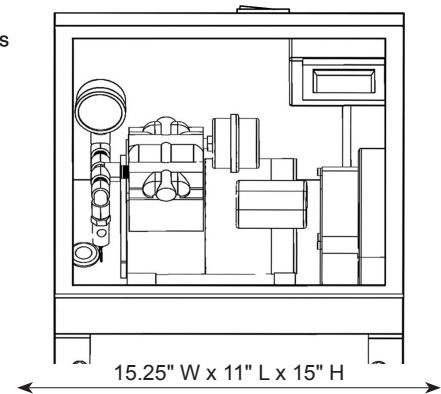
BROOKWOOD™ COMPRESSOR

1/3hp (0.25kW), 115v or 230v, Single Phase piston type compressor. Built for continuous 24/7 operation and equipped with Vertex SafeStart™ technology allowing auto restart under maximum rated pressure without motor damage. Super-duty Brookwood™ compressors incorporate upgraded rotors, stators, valve plates, bearings and capacitors and are thermally protected, oil-free, and require no lubrication; just periodic cleaning of included washable air filter. Extended duty cycle is approximately 2-3 years for compressor maintenance, about 2 to 3 times the duty cycle of ordinary piston and rotary vane compressors. All Brookwood™ SafeStart™ compressors have a 3-year warranty, excluding wearable parts (air filters and compressor maintenance kits).



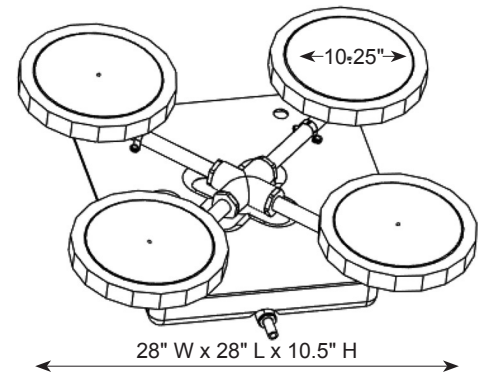
QUIETAIR™ CABINET

Cabinet is constructed of aluminum with gray electrostatically bonded powder coating. Equipped with a stamped ventilation grill, engineered fan plenum, directed exhaust and an integral cooling fan producing 140 CFM to guard against excessive compressor operating temperatures. Cabinet is equipped with Class "A" GFCI Protection on both the compressor and fan circuits. 3-year warranty, excluding wearable parts (air filters and compressor maintenance kits) on all cabinet components including compressor, cooling fan and GFI and a Limited Lifetime warranty against cabinet rust and corrosion.



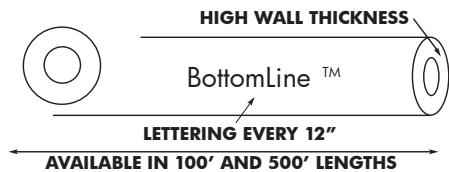
AIRSTATION XL4™ ASSEMBLY

Each CoActive Airstation™ consists of four self-cleaning, 9" diameter flexible membrane diffusers of EPDM compound with 100% rebound memory, each producing millions of fine 500 to 3000 micron bubbles. Each diffuser station is equipped with a vacuum-formed HDPE base; sonic spot-welded to provide unit integrity. Base unit has a hollow chamber design for the addition of gravel ballast and a lipped design to prevent settling into soft bottom sediments. AirStations are independently tested and verified to provide stated pumping rates. 5-year warranty.



BOTTOMLINE™ SUPPLY TUBING

Self-weighted, direct burial submersible tubing for connection from compressor to diffuser stations. Tubing is flexible PVC composite construction for use with standard PVC solvent weld cement and insert fittings. Tubing has 0.58" I.D. and high wall thickness for long term durability and protection against punctures. Remains flexible in cold temperatures.



(844) 432-4303 • info@vertexwaterfeatures.com
www.vertexwaterfeatures.com

Install all electrical equipment in accordance with Article 682 of the National Electrical Code and all local codes. Vertex Water Features reserves the right to improve and change our designs and/or specifications of our aerators without notice or obligation.
©Vertex Water Features rev.051316