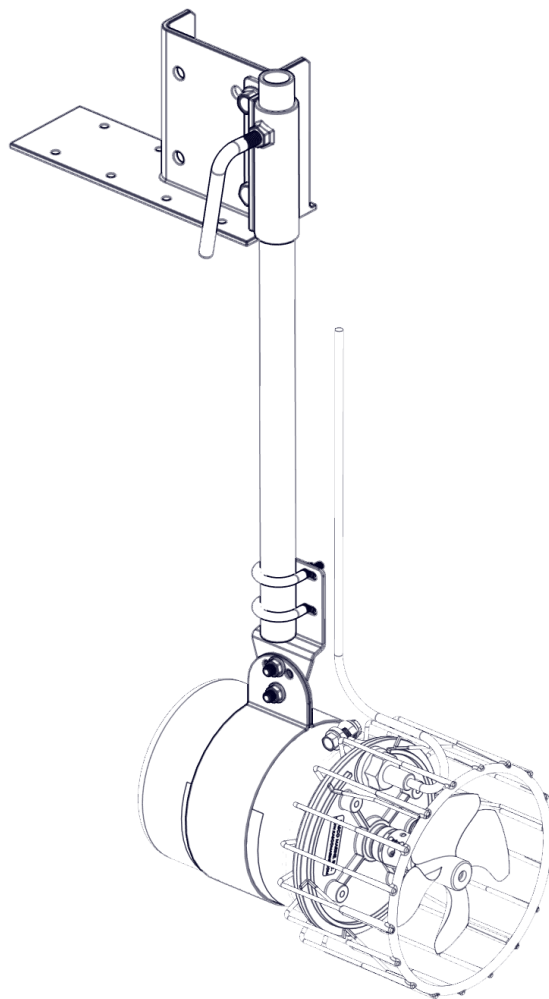




# Assembly Manual

## Universal Mount

Kit # 243485



**Kasco Marine, Inc.**

800 Deere Rd.

Prescott, WI 54021

PH (715) 262-4488

[www.kascomarine.com](http://www.kascomarine.com)

# Table of Contents

Rev 10-08-19

<b>Suggested Tools and Supplies Needed</b>	<b>pg 2</b>
<b>Parts Included</b>	<b>pg 3</b>
<b>Mounting Options</b>	<b>pg 4</b>
<b>Mount Assembly</b>	<b>pg 5 - 8</b>
<b>Adjustments and Storage</b>	<b>pg 9</b>
<b>Replacement Parts</b>	<b>pg 10</b>

## **Suggested Tools and Supplies Needed:**

- 1" or 25mm (schedule 40 minimum) galvanized or stainless steel (1-5/16" outer diameter) pipe. Max 10' long. NOT INCLUDED.
- 5/16" lag screws or bolts for mounting base (optional U-Bolt Kit available: P/N 997108K)
- 3/4" wrench
- 3/4" socket wrench
- 9/16" socket wrench
- 9/16" wrench

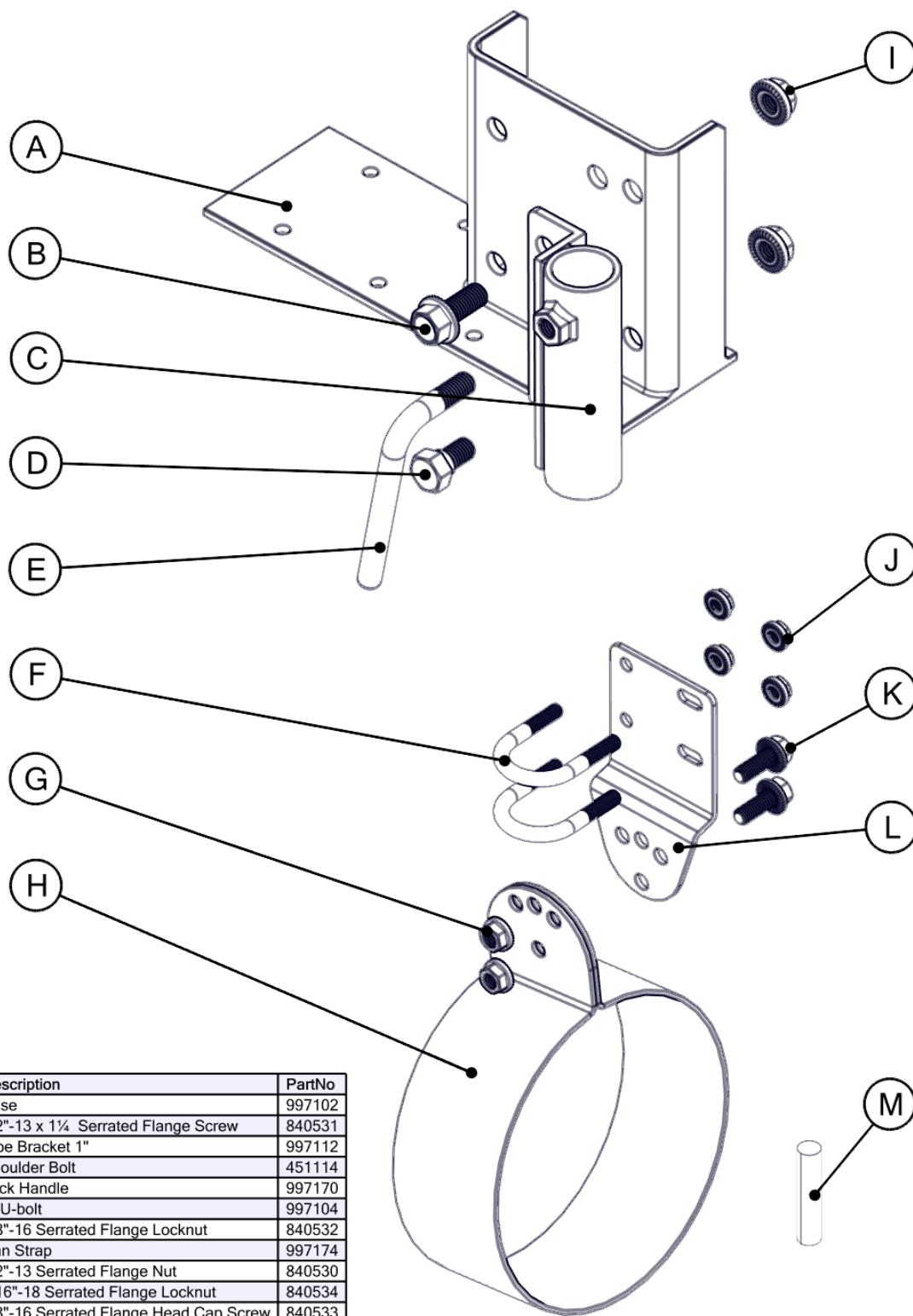
## **Important!**

**Installation may require the help of another person.**

## **Note:**

Installation may vary; the user is to supply the appropriate hardware to secure the mounting bracket to the dock or piling. Kasco suggests stainless steel.

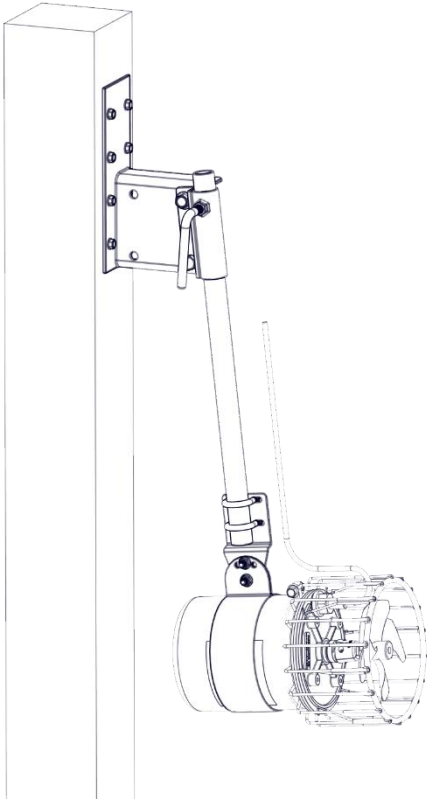
## Parts Included



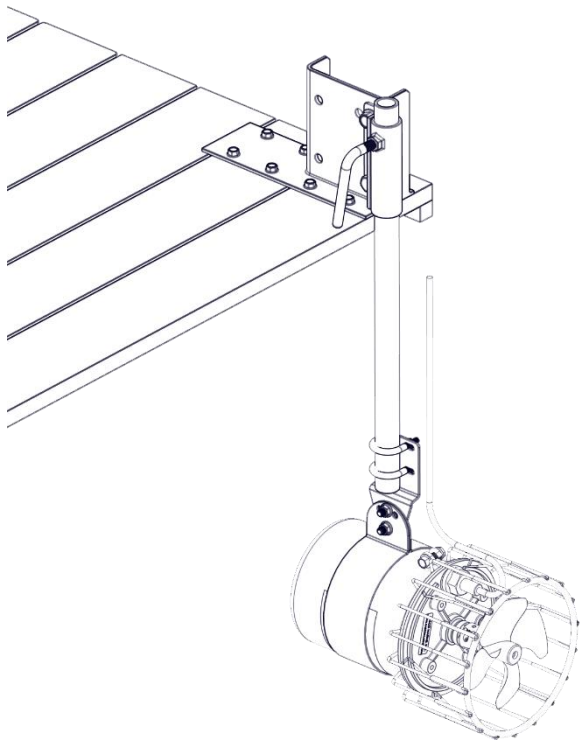
BOM ID	Qty	Description	PartNo
A	1	Base	997102
B	1	1/2"-13 x 1 1/4" Serrated Flange Screw	840531
C	1	Pipe Bracket 1"	997112
D	1	Shoulder Bolt	451114
E	1	Lock Handle	997170
F	2	1" U-bolt	997104
G	2	3/8"-16 Serrated Flange Locknut	840532
H	1	Can Strap	997174
I	2	1/2"-13 Serrated Flange Nut	840530
J	4	5/16"-18 Serrated Flange Locknut	840534
K	2	3/8"-16 Serrated Flange Head Cap Screw	840533
L	1	Strut	997178
M	1	Grease Packet	341300

# Mounting Options

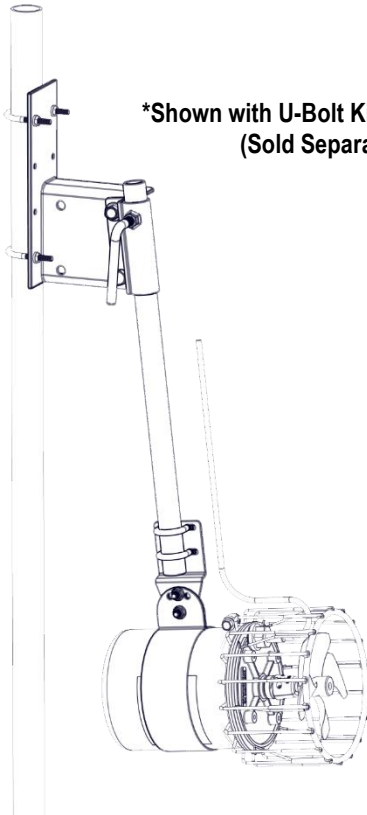
Pier Mount:



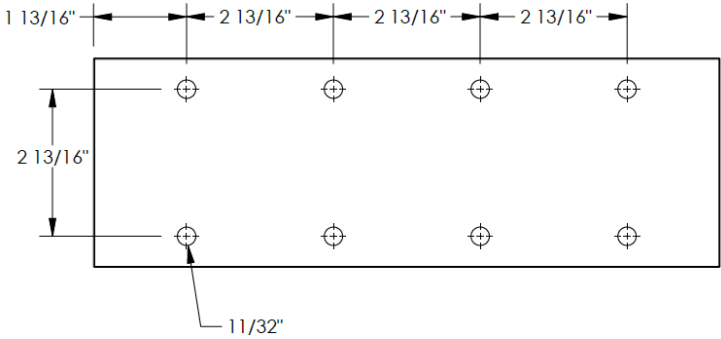
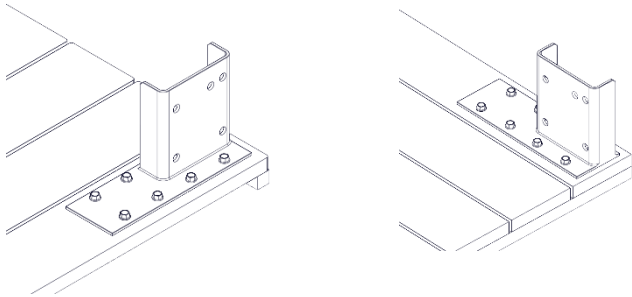
Dock Mount:



Pipe Mount\*:



\*Shown with U-Bolt Kit P/N 997108K (Sold Separately)

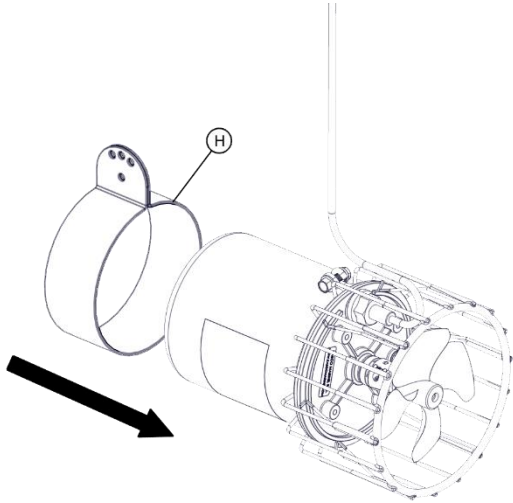


Base (A) - Hole Location Dimensions

## Mount Assembly

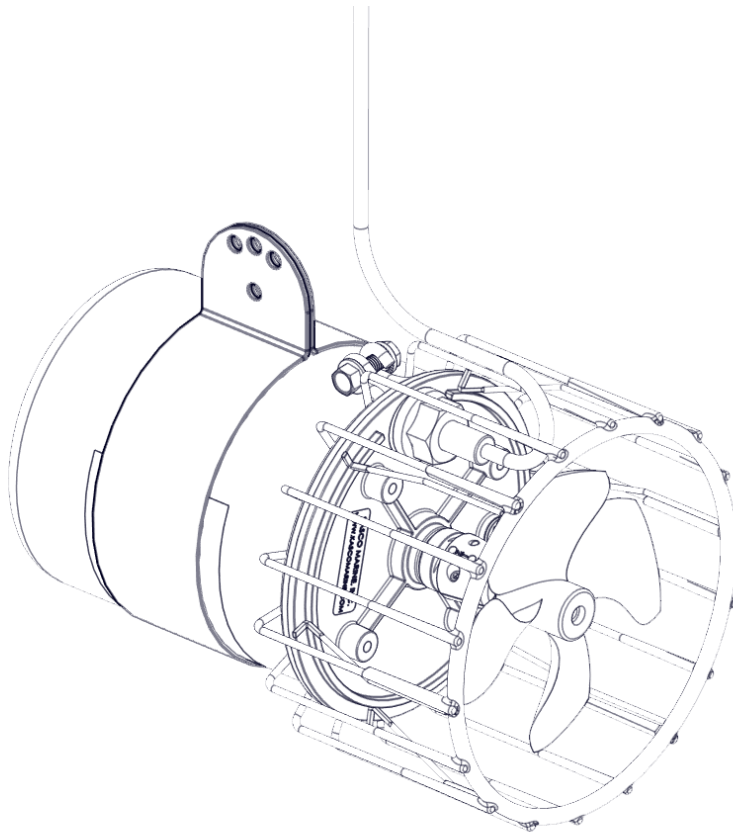
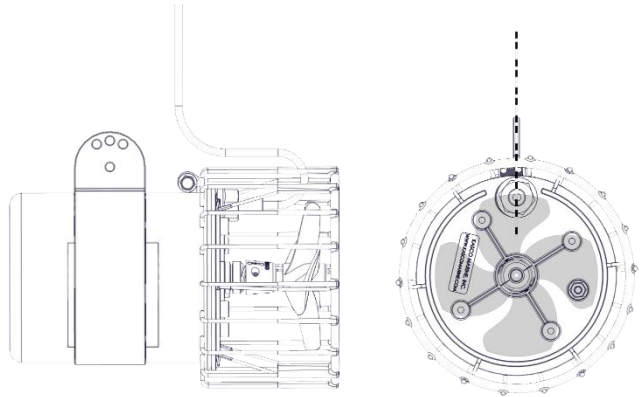
### Step 1

Slide can strap (H) into position on the unit as shown below.



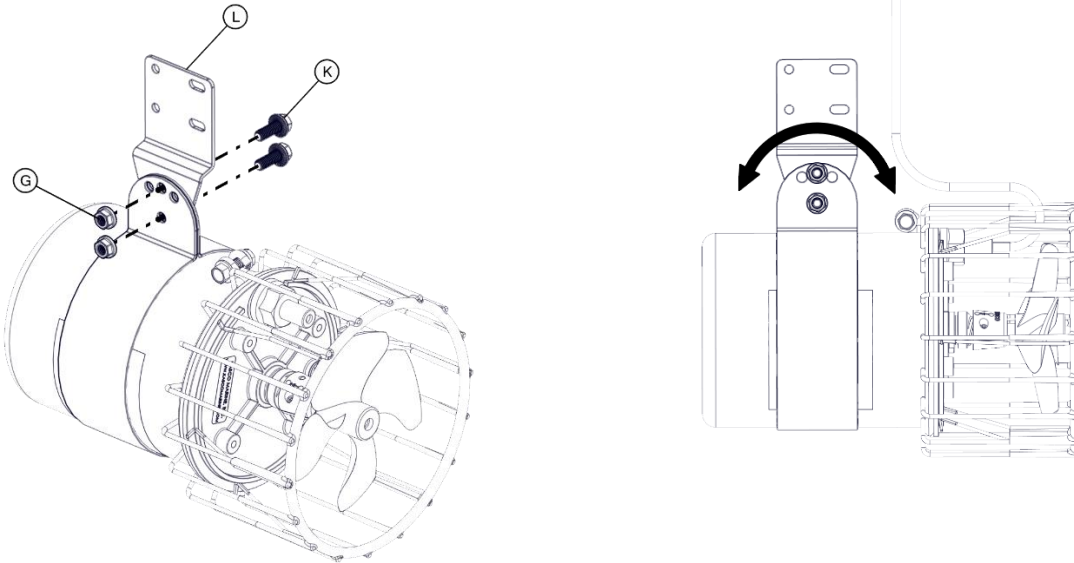
### Step 2

Position with a 1-1/2" distance from unit cage, ensuring the cord is in line with the can strap flanges.



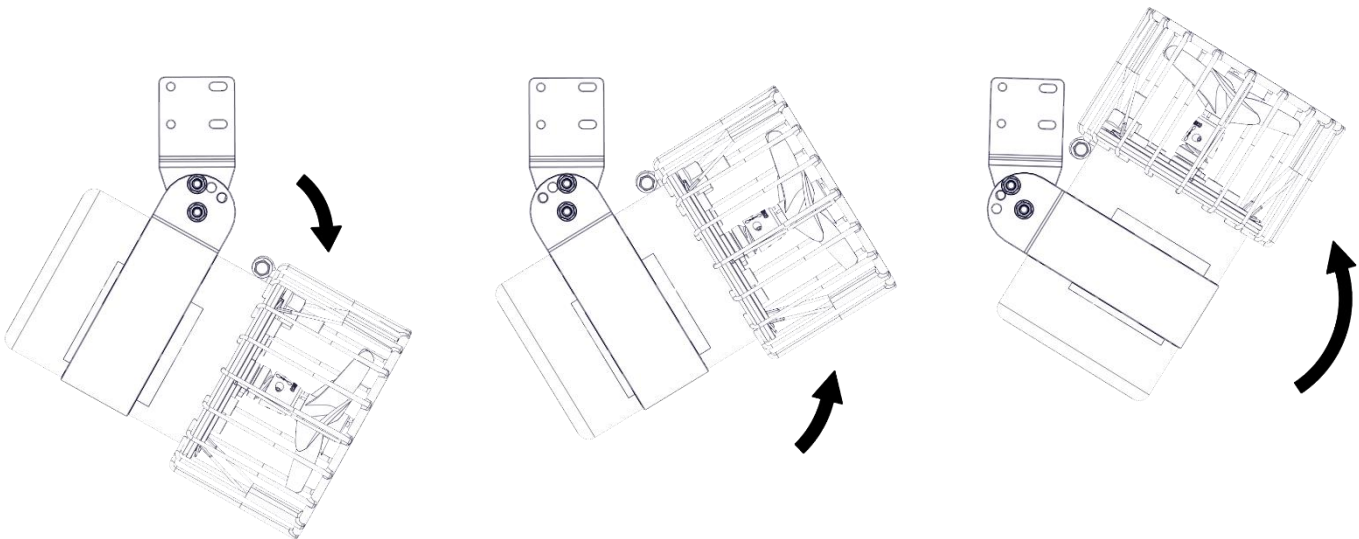
**Step 3**

Secure can strap to strut (L) with (2) 3/8" x 1.00 serrated flange bolts (K) and (2) 3/8" serrated nuts (G). Ensure can strap flanges are not split by strut.



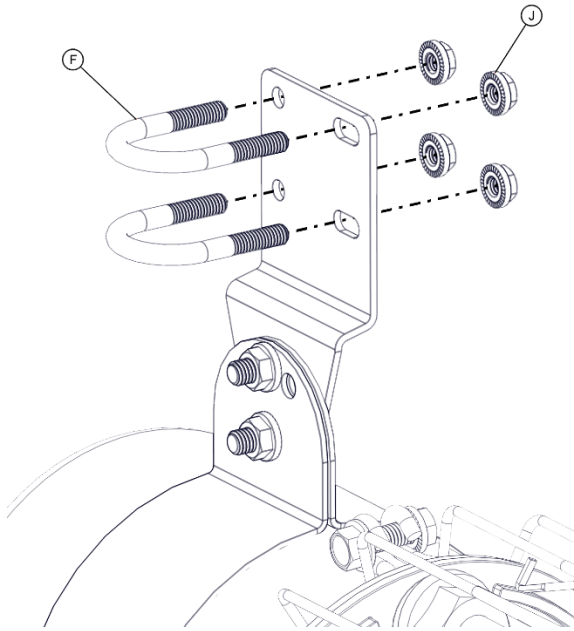
**Step 4**

Multiple positions for mounting the unit are possible; after assembly of the mount, it may be necessary to adjust the unit to the most ideal orientation. A few examples are shown below:



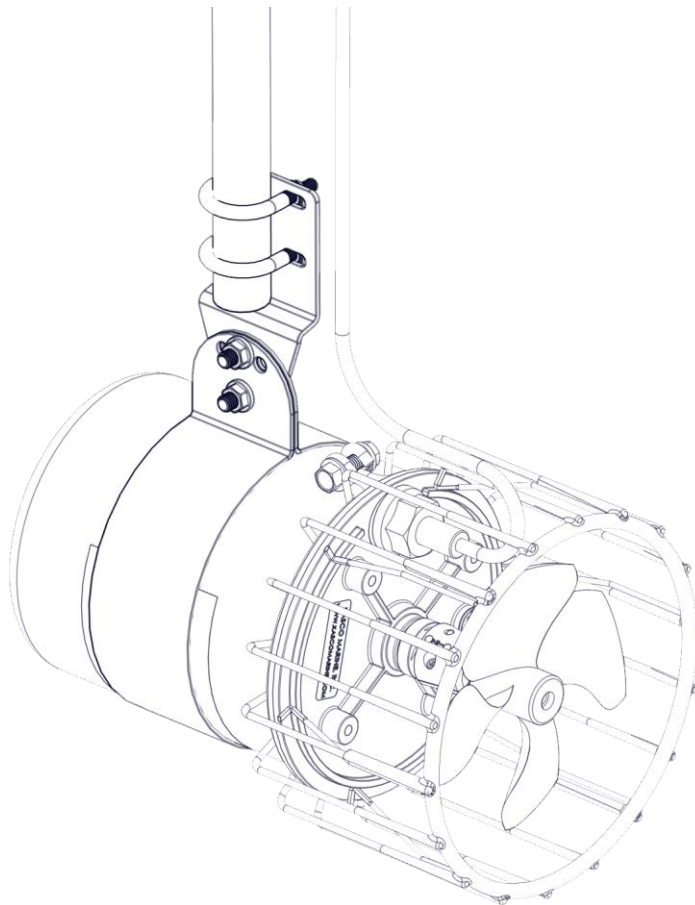
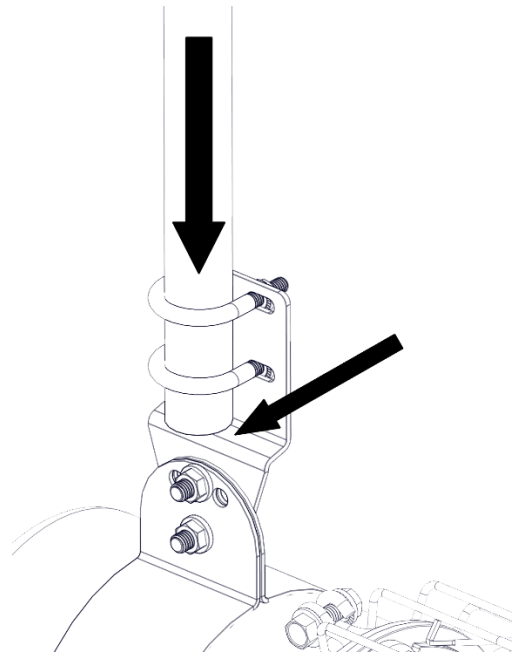
**Step 5**

Place U-bolts (F) through the holes on the strut and start 5/16" serrated nuts (J) on threads before inserting pipe.



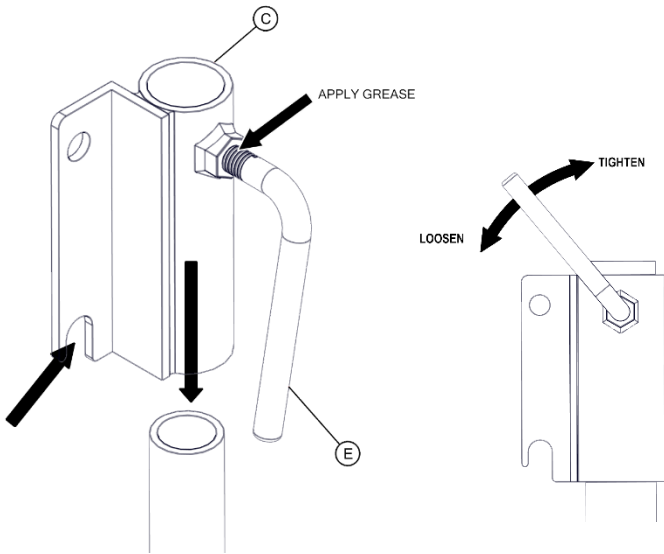
**Step 6**

Insert pipe, then fully tighten all U-Bolt hardware, ensuring that pipe bottoms out on strut plate.



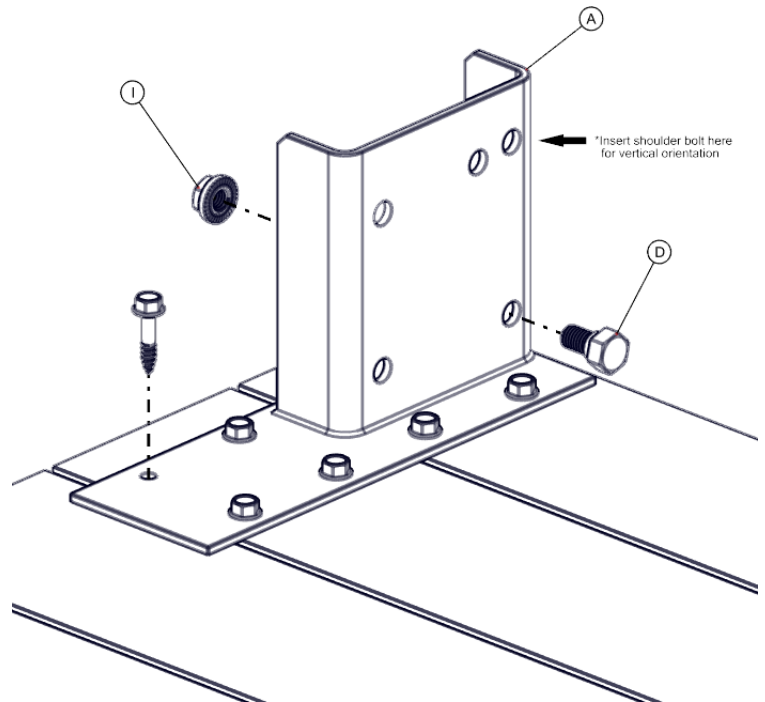
### Step 7

Slide pipe bracket (C) over the pipe. Ensure the notched end of the bracket is towards the unit end of the pipe. To prevent galling, apply a small amount of grease (M) to the threads of the lock handle (E) before tightening. Secure the bracket to the pipe by tightening the lock handle.



### Step 8

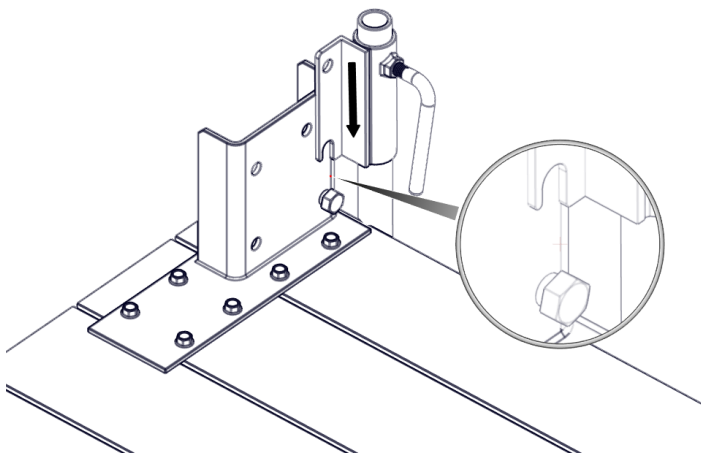
Secure base (A) in manner appropriate with intended mounting selection (U-bolts, screws, etc. NOT included). Insert shoulder bolt (D) and corresponding 1/2"-13 serrated nut (I) to the bottom hole location in the base as shown below\*.



### Step 9

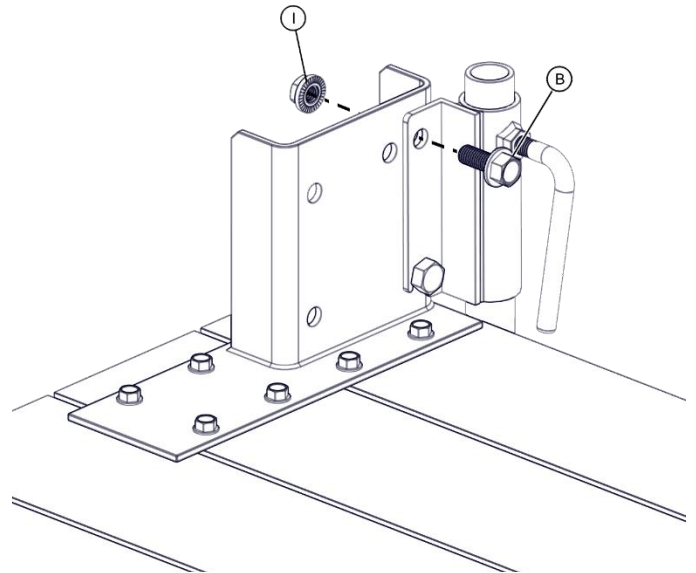
**This step may require additional help.**

Once the hardware has been installed, lift assembly into position, align slot of pipe bracket with the shoulder bolt and lower unit until it rests on the shoulder bolt.



### Step 10

Install 1/2" x 1-1/2 serrated flange screw (B) in the top position hole and secure with 1/2"-13 serrated nut (I).

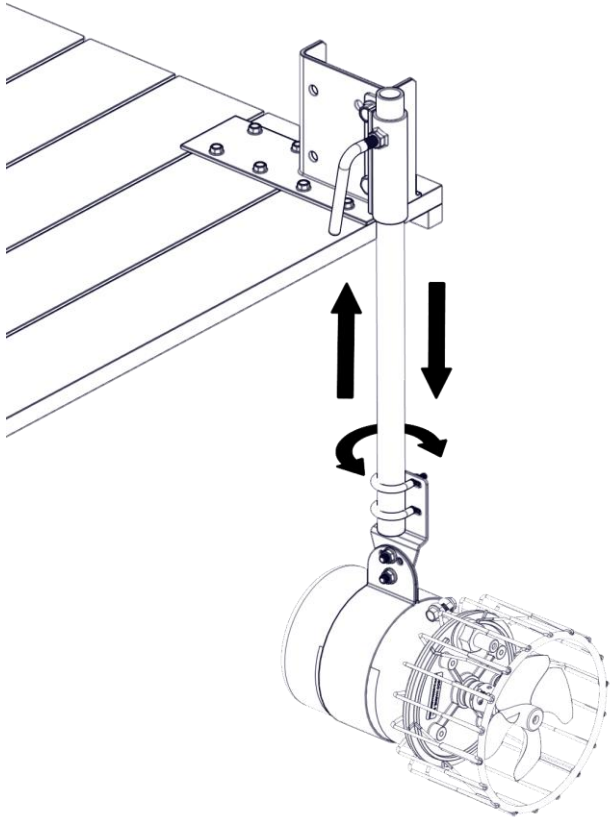




## Adjustments and Storage

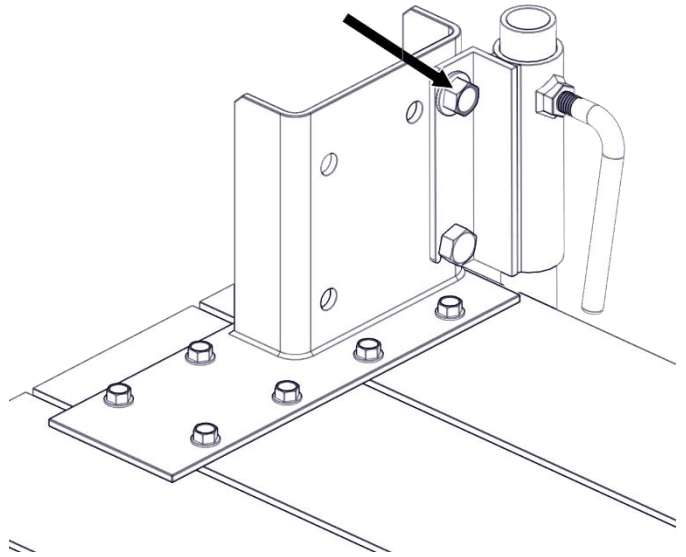
### Step 11

Unit can be adjusted up or down or swiveled left or right depending on situation and location.

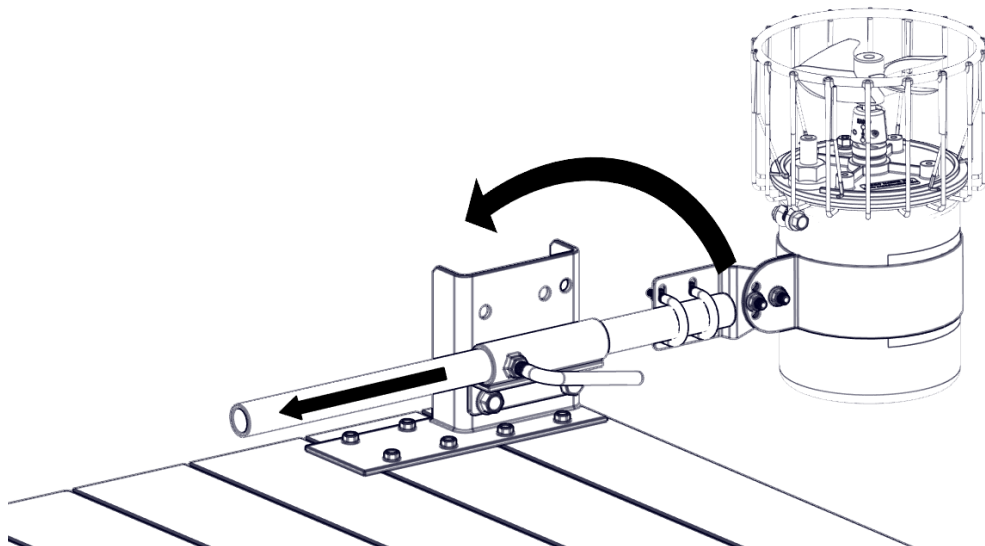


### Step 12

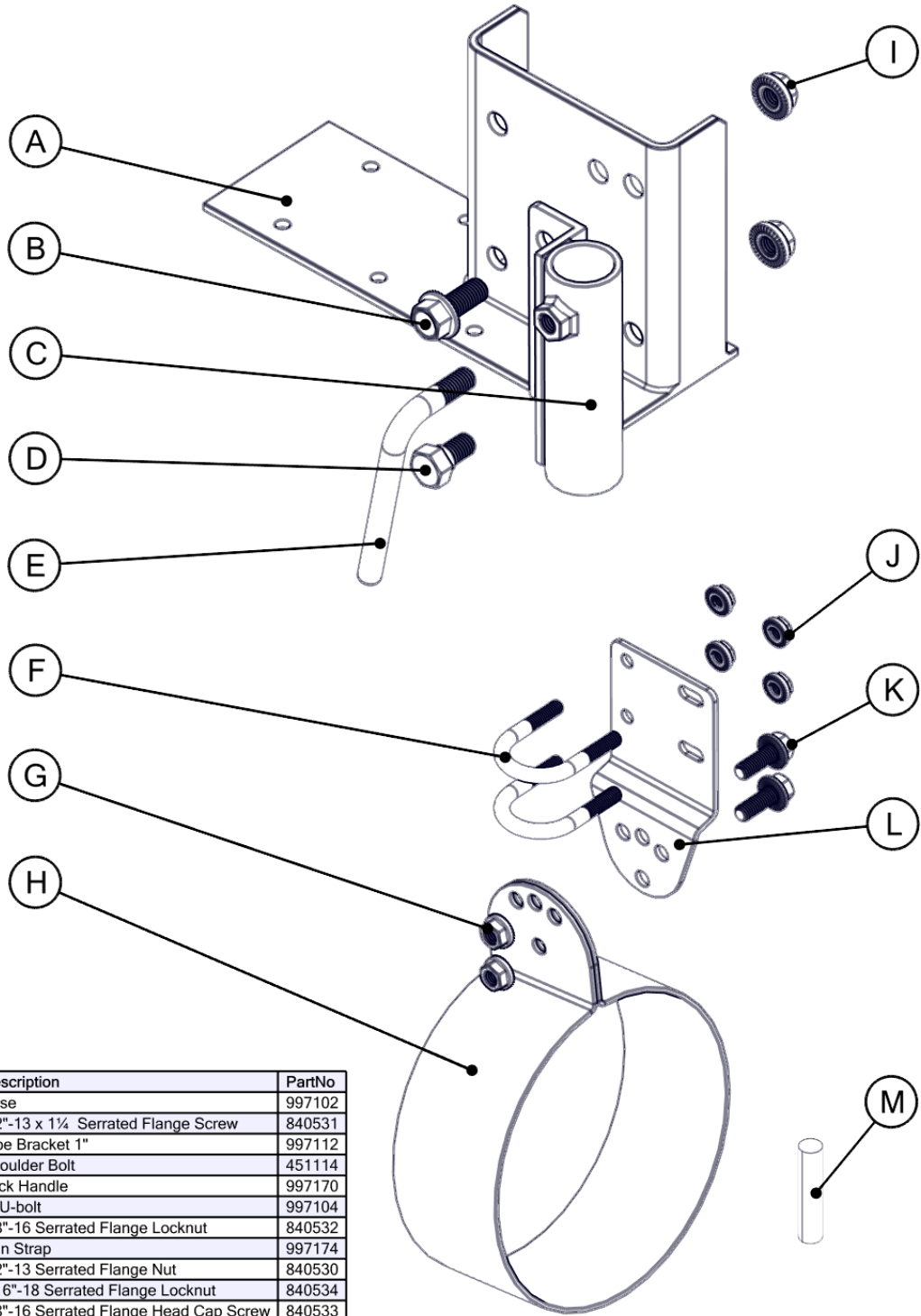
For storage or unit maintenance, the unit can be pivoted up and out of the water by removing the top 1/2" x 1-1/2" hardware and pivoting the unit 90 degrees. Unit can be removed entirely from mount by lifting bracket off shoulder bolt.



**Maintenance and cleaning position:**



# Replacement Parts



BOM ID	Qty	Description	PartNo
A	1	Base	997102
B	1	1/2"-13 x 1/4 Serrated Flange Screw	840531
C	1	Pipe Bracket 1"	997112
D	1	Shoulder Bolt	451114
E	1	Lock Handle	997170
F	2	1" U-bolt	997104
G	2	3/8"-16 Serrated Flange Locknut	840532
H	1	Can Strap	997174
I	2	1/2"-13 Serrated Flange Nut	840530
J	4	5/16"-18 Serrated Flange Locknut	840534
K	2	3/8"-16 Serrated Flange Head Cap Screw	840533
L	1	Strut	997178
M	1	Grease Packet	341300