



BROCKWELL INCORPORATED



www.COLUMNSDIRECT.com

4728 SCARBOROUGH PLACE ▪ STONE MOUNTAIN, GA 30087 ▪ PHONE: 980-282-8383 ▪ E-MAIL: sales@columnsdirect.com

MEASURING INSTRUCTIONS

MEASURING

When measuring a window opening it is ideal to measure the width of the window opening at the top, center and bottom. Similarly measure the height of the window left, center and right side. If the shutter is to be functional you need to allow for 1/4" clearance around all 4 sides to the smallest window opening size. You must also allow for a 1/4" gap between the two shutters at the center of the window.

HARDWARE

It is very important that you determine the type of hinge and pintel required to fit your window and wall application.

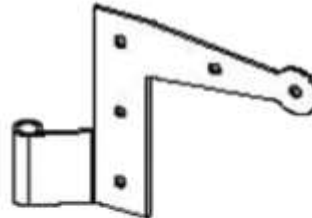
FLAT HINGE

- 0" Offset
- 1 1/2" Offset
- 2 1/4" Offset



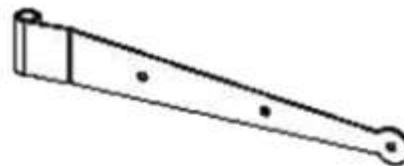
6" L-HINGE

- 1/2" Offset
- 1 1/2" Offset
- 2 1/4" Offset



10" STRAP HINGE

- 0" Offset
- 1/2" Offset
- 1 1/2" Offset
- 2 1/4" Offset



12" STRAP HINGE

- 1/2" Offset
- 1 1/2" Offset



1

www.COLUMNSDIRECT.com

BROCKWELL INCORPORATED



PINTEL

- 1/2" Offset
- 1 1/2" Offset
- 2 1/4" Offset



PINTEL SHIM

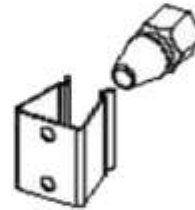
- 1/4" Thick
- Black Polyamide Plastic
- Includes 92) 1/4"x3" screws



4" LAG PINTEL



ACORN HOLDBACK



**S HOLDBACK WITH LAG BOLT,
WASHER, COTTER PIN**



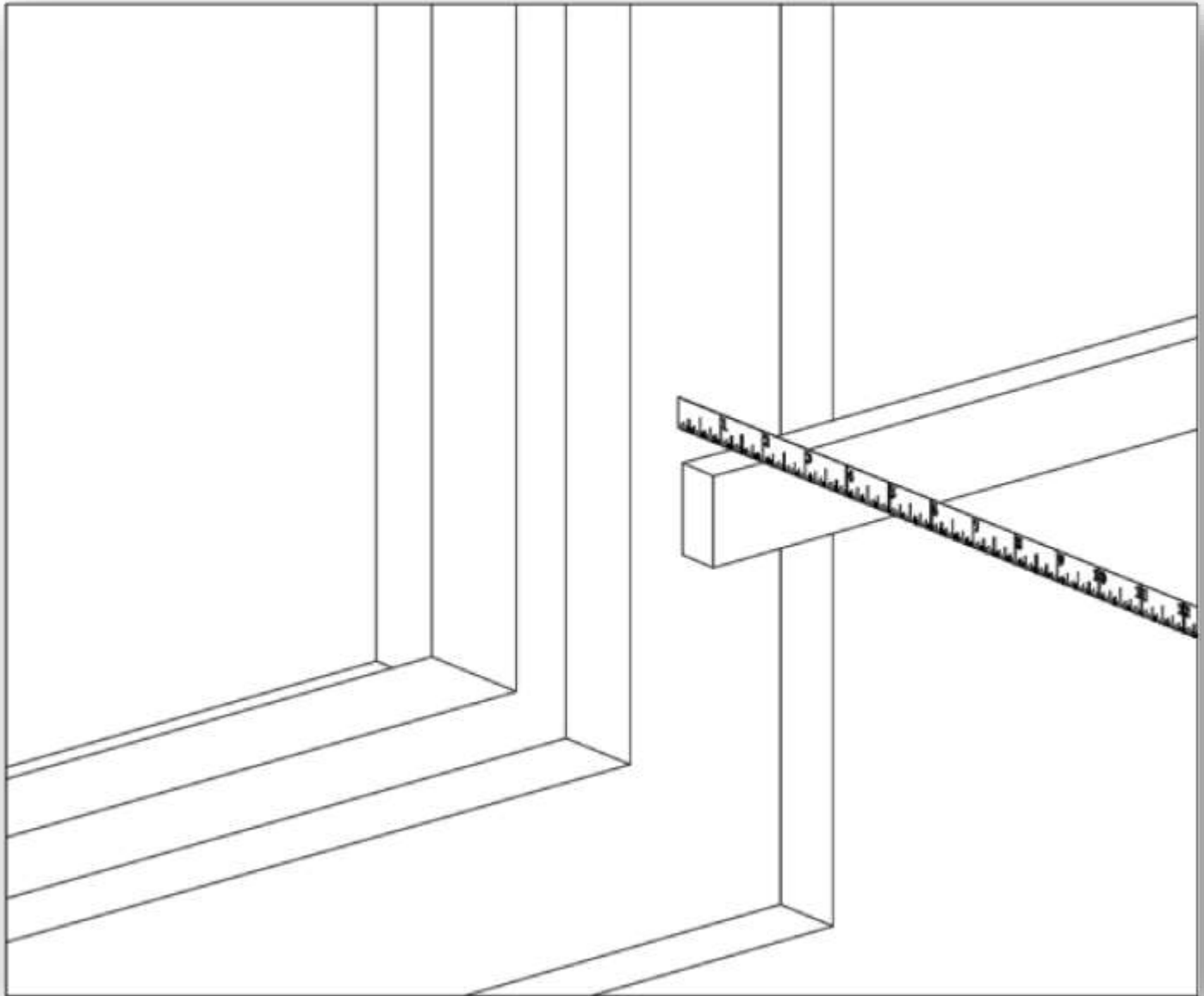
RAT-TAIL HOLDBACK



12" SHUTTER SLIDE BOLT



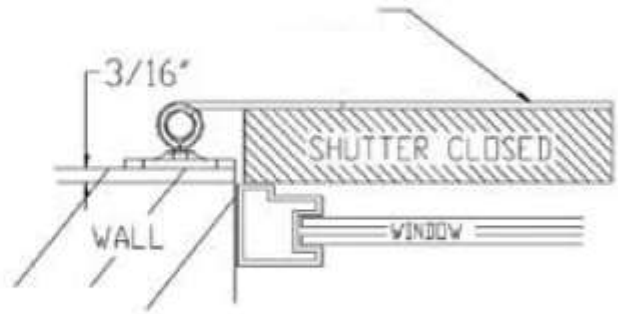
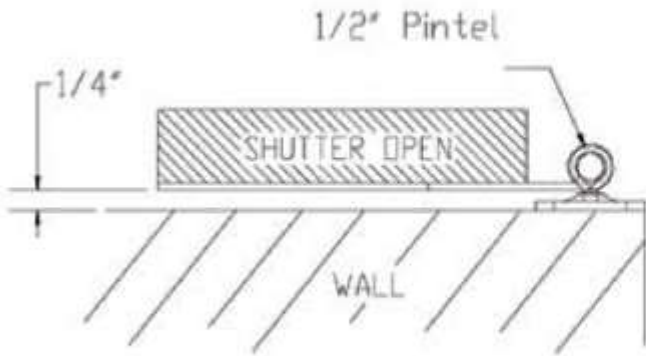
THE FIRST STEP is to determine the position of the Pintel on the Window casement. Measure the depth of the surface that the Pintel will be mounted on and the adjacent wall surface. This will determine the Pintel height and Hinge combination that best fits the application.



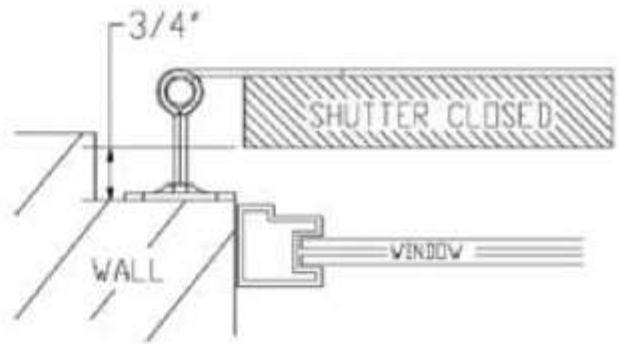
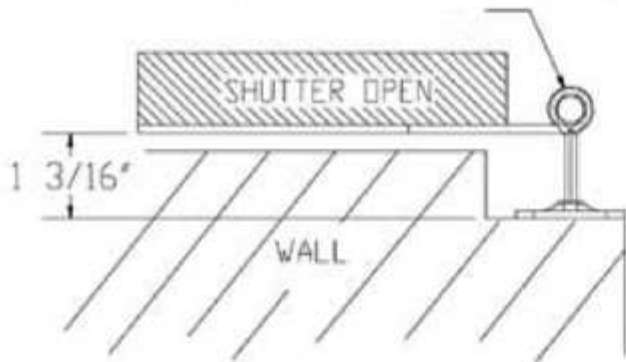
Option #1

Flat Hinge

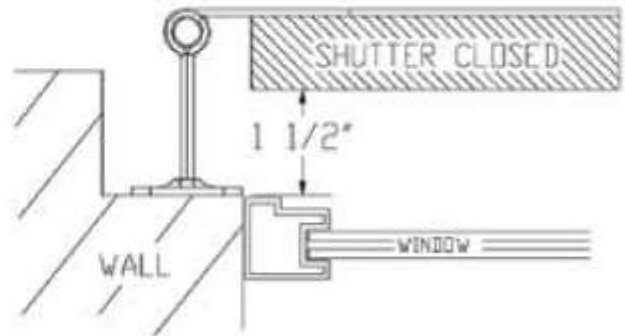
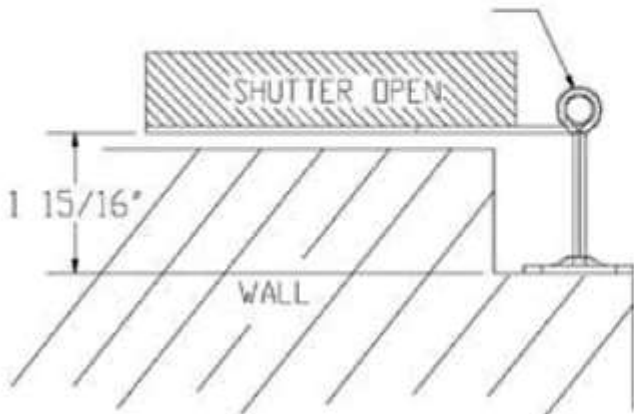
10° Strap Hinge



1 1/2" Pintel Top View



2 1/4" Pintel Top View

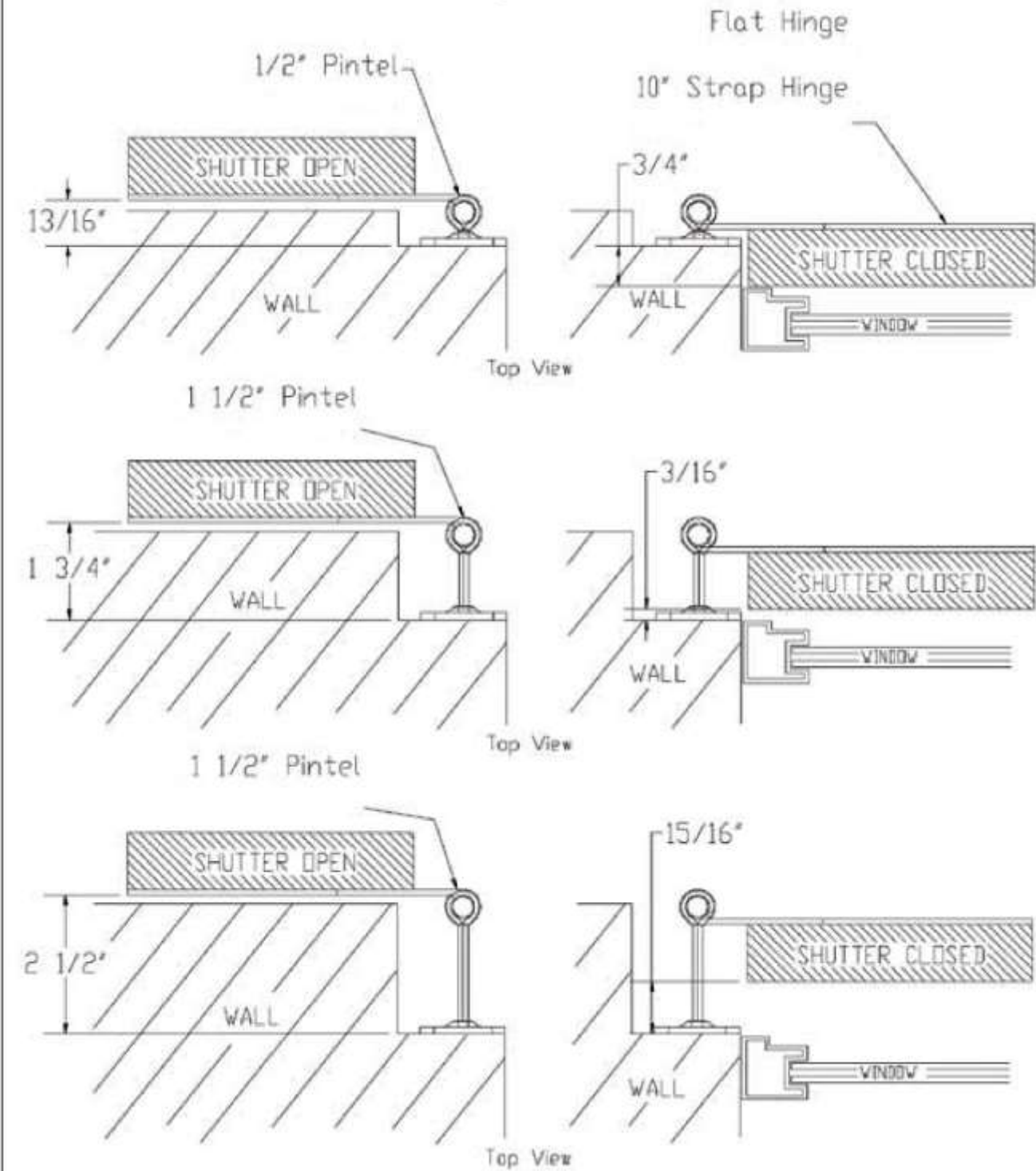


Top View

The ideal setup is to have the Shutter flush with the casement when the Shutter is in the closed position. The Pintel Shims can be added to make small adjustments of 1/4", 1/2" and 3/4".



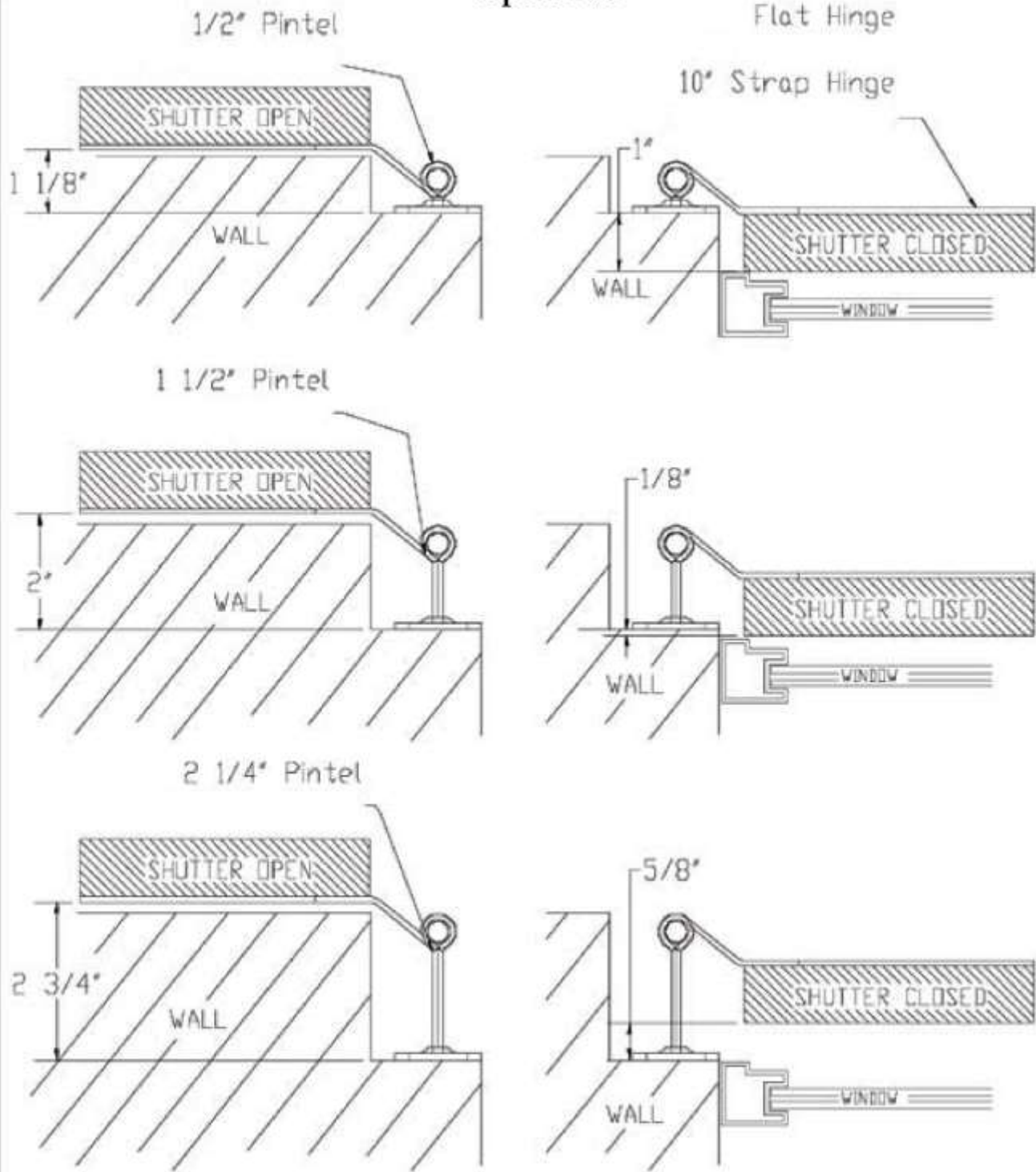
Option #2



The ideal setup is to have the Shutter flush with the casement when the Shutter is in the closed position. The Pintel Shims can be added to make small adjustments of 1/4", 1/2" and 3/4".



Option #3

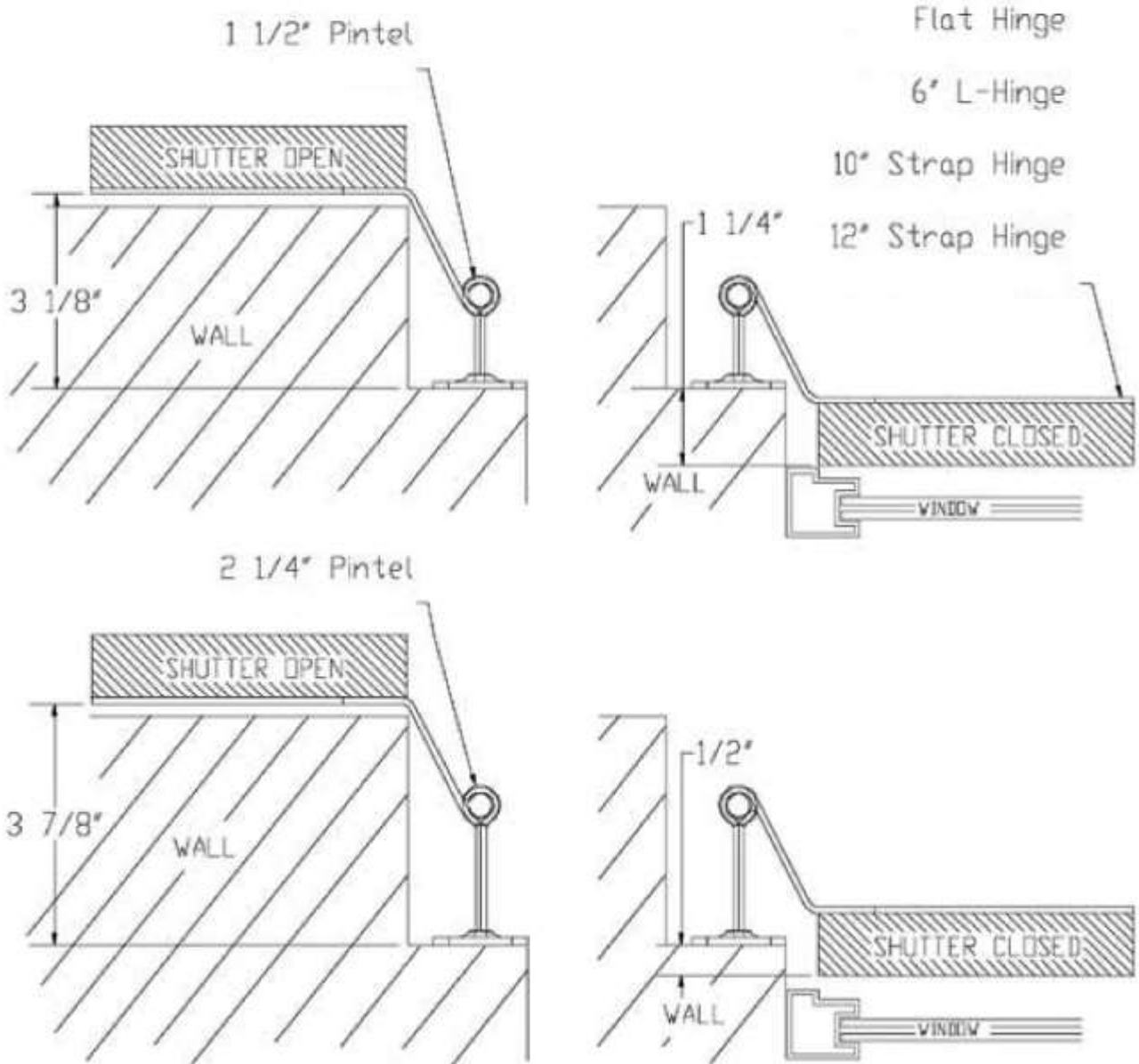


The ideal setup is to have the Shutter flush with the casement when the Shutter is in the closed position. The Pintel Shims can be added to make small adjustments of $1/4"$, $1/2"$ and $3/4"$.



Option #4

1/2" Pintel is not compatible with these hinges.

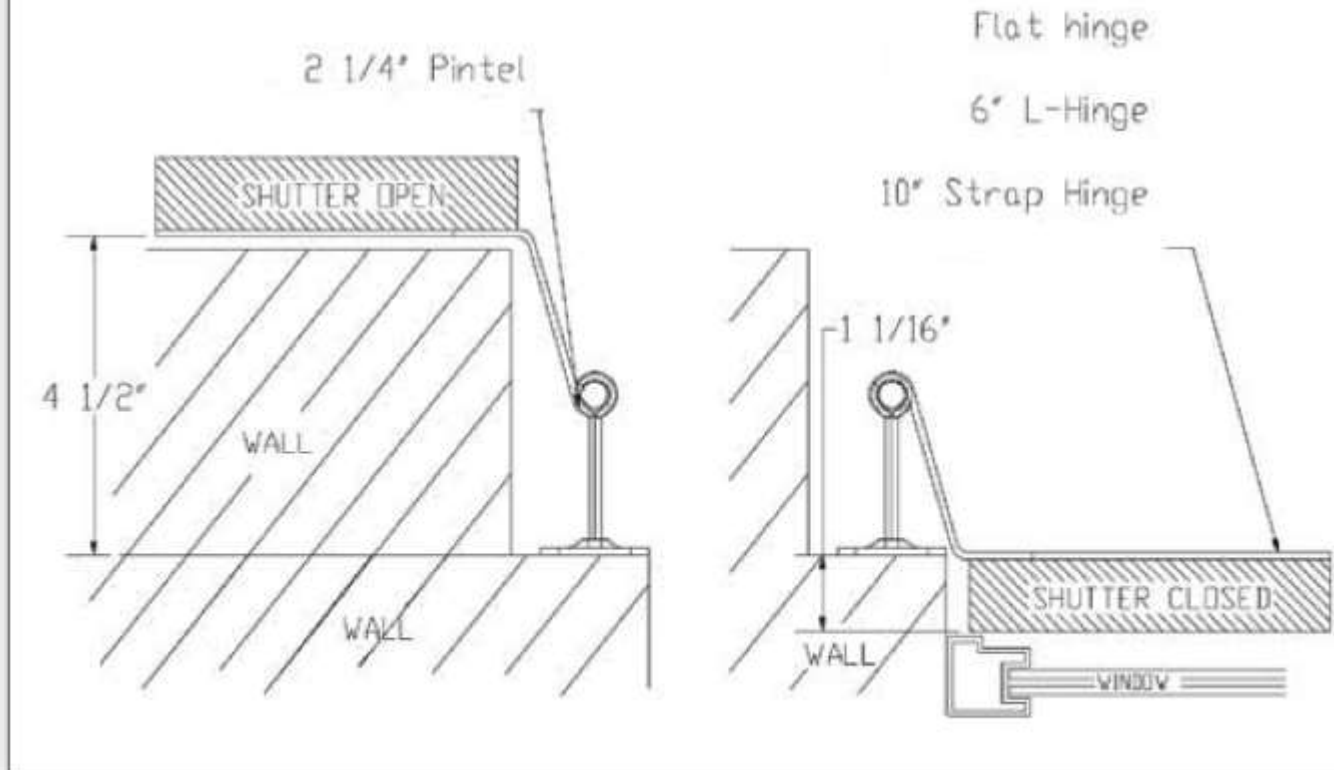


The ideal setup is to have the Shutter flush with the casement when the Shutter is in the closed position. The Pintel Shims can be added to make small adjustments of $\frac{1}{4}"$, $\frac{1}{2}"$ and $\frac{3}{4}"$.



Option #5

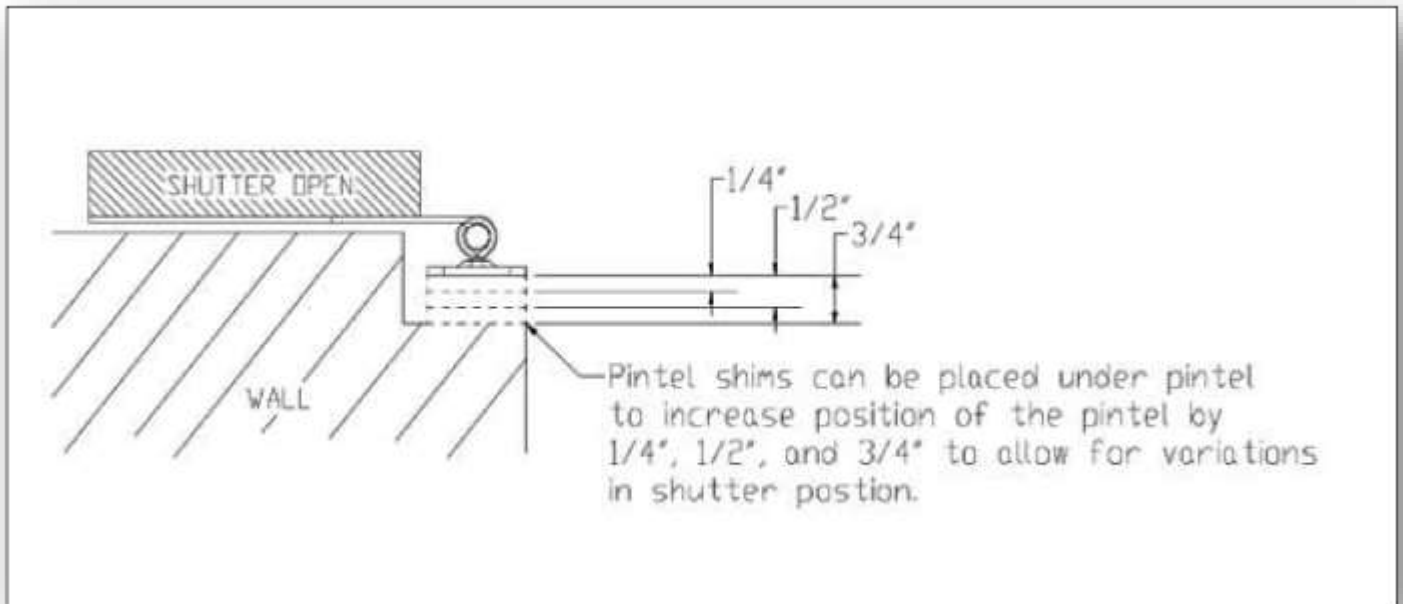
1/2" and 1 1/2" Pintel is not compatible with these hinges.



The ideal setup is to have the Shutter flush with the casement when the Shutter is in the closed position. The Pintel Shims can be added to make small adjustments of 1/4", 1/2" and 3/4".



PINTEL SHIM



All hardware is made from 304 Stainless Steel and is Powder coated Black finish.

SHIPMENT

- When you receive your order, please **inspect the cartons for visual damage**.
- Remove the shutters from the packages and inspect for any concealed damage.
- Count the number of shutters and hardware received as compared to the packing slip.
- If you are missing any items or there is any damage please contact Brockwell Incorporated at 980-282-8383 before proceeding.
- In order for Brockwell Incorporated to file a freight claim we must file the claim within (5) days of delivery.
- Brockwell Incorporated WILL NOT ACCEPT any damage claims if we are not notified within (5) days from the delivery date.

FINISH

Brockwell Shutters are provided either primed or finished.

WARRANTY

- **Architectural Collection Shutters**
Limited lifetime warranty on structure. (15)-year warranty on finish.
- **Classic Collection Shutters**
(10)-year warranty on structure and finish.

