



BROCKWELL INCORPORATED



www.COLUMNSDIRECT.com

4728 SCARBOROUGH PLACE ▪ STONE MOUNTAIN, GA 30087 ▪ **PHONE:** 980-282-8383 ▪ **E-MAIL:** sales@columnsdirect.com

INSTALLATION INSTRUCTIONS

Hold the shutters in place in the window opening.
Using shims center the shutter in the opening to create a 1/4" gap around all 4 sides of the shutter,
and 1/4" gap between the center of the 2 shutters.

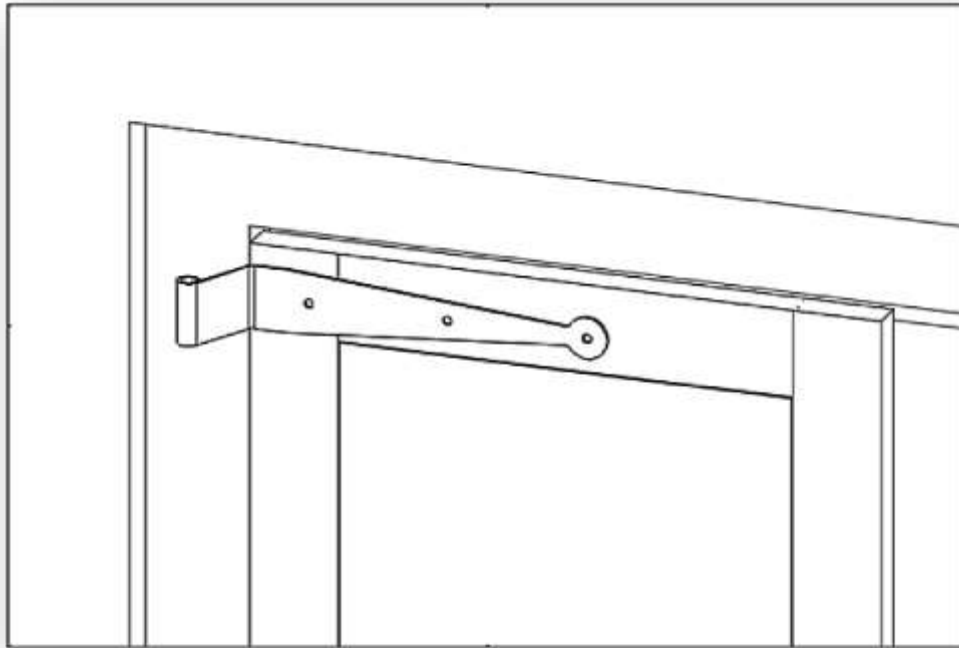
Identify the location of the Hinges and Pintels.

We recommend that the following number of Hinges be used for different height shutters.

- Height up to 48" – 2 Hinges per shutter
- Heights from 49" to 96" – 3 Hinges per shutter
- Height from 97" to 120" – 4 Hinges per shutter

Identify the locations of the Pintel on the wall and mount each pointing in the upward position, except for the two bottom pintel. These will be mounted after the Strap Hinges are assembled to the shutter and after the shutter has been hung on the top pintel for final assembly.

After the shutter is hung reverse the 2 bottom Pintel pointing downward. This will prevent the shutter from being blown off.



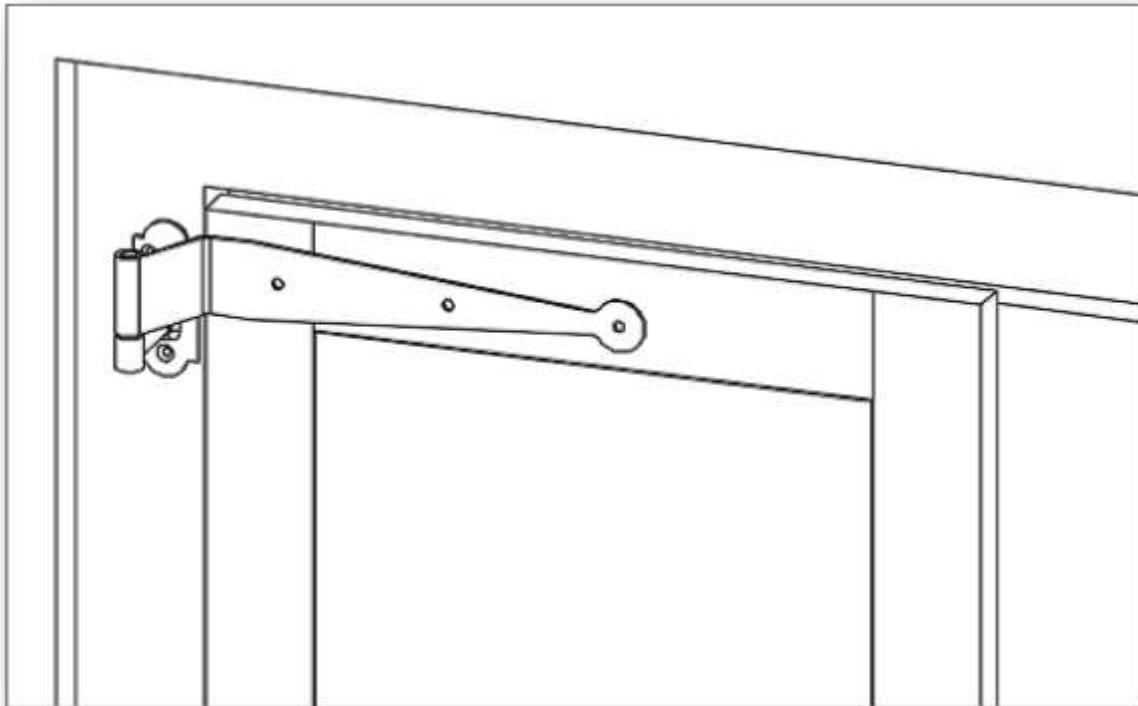
1

www.COLUMNSDIRECT.com

BROCKWELL INCORPORATED



With the Shutters setting in the window opening, attach the Strap Hinge to each Pintel and rotate the Hinge to lay flush with the face of the shutter. Mark the location of the screw holes.



Remove the shutter from the window opening.

Drill 1/8" diameter pilot holes through the face of the stiles. Be careful not to drill through the opposite side of the stile.

Mount the Hinges with the screws provided with the Hardware.

Slide Bolts are normally mounted on the center rail of the outside of the shutter in the open position. They function best when located in the center of the shutter.

Lay the shutter on a set of horses side by side. Align the pair in the closed position.

Align the large body of the Slide Bolt to the inside edge of the shutter and mark the hole locations.

Drill 1/8" diameter pilot holes through the face of the stiles. Be careful not to drill through the opposite side of the stile.

Screw the large body of the Slide Bolt to the shutter.

Align the Latch portion of the Slide Bolt with the edge of the opposite shutter and mark the hole locations.

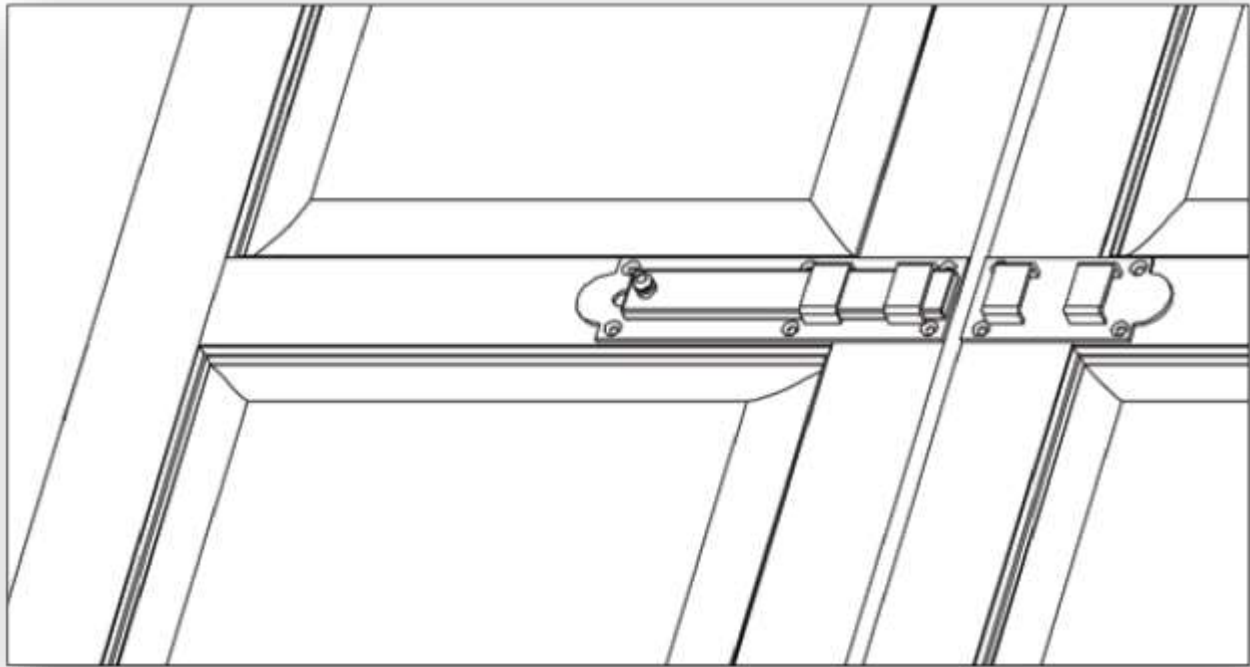


Drill 1/8" diameter pilot holes through the face of the stiles.

Be careful not to drill through the opposite side of the stile.

Screw the Latch portion to the shutter.

NOTE: The Slide Bolt is use as a decorative assent and is not designed as a storm bar holding device.



Hang the shutters on the Pintel, check for uniform gap clearance and make sure the shutters are plum.

Locate the position of the bottom Pintel on the wall, place the Hinge on the pintel and pivot flush to the shutter and mark the hole locations.

Remove the shutter and assemble the bottom hinge to the shutter.

Again, hang the shutter in place and attach the bottom Pintel (In reverse pointing down).



With the shutters in the closed position, locate the Acorn Hold Back Clip 1" down from the upper corner and 11/16" from the edge of the stile. Mark the hole location and Drill 1/8" diameter pilot holes through the face of the stiles. Be careful not to drill through the opposite side of the stile.

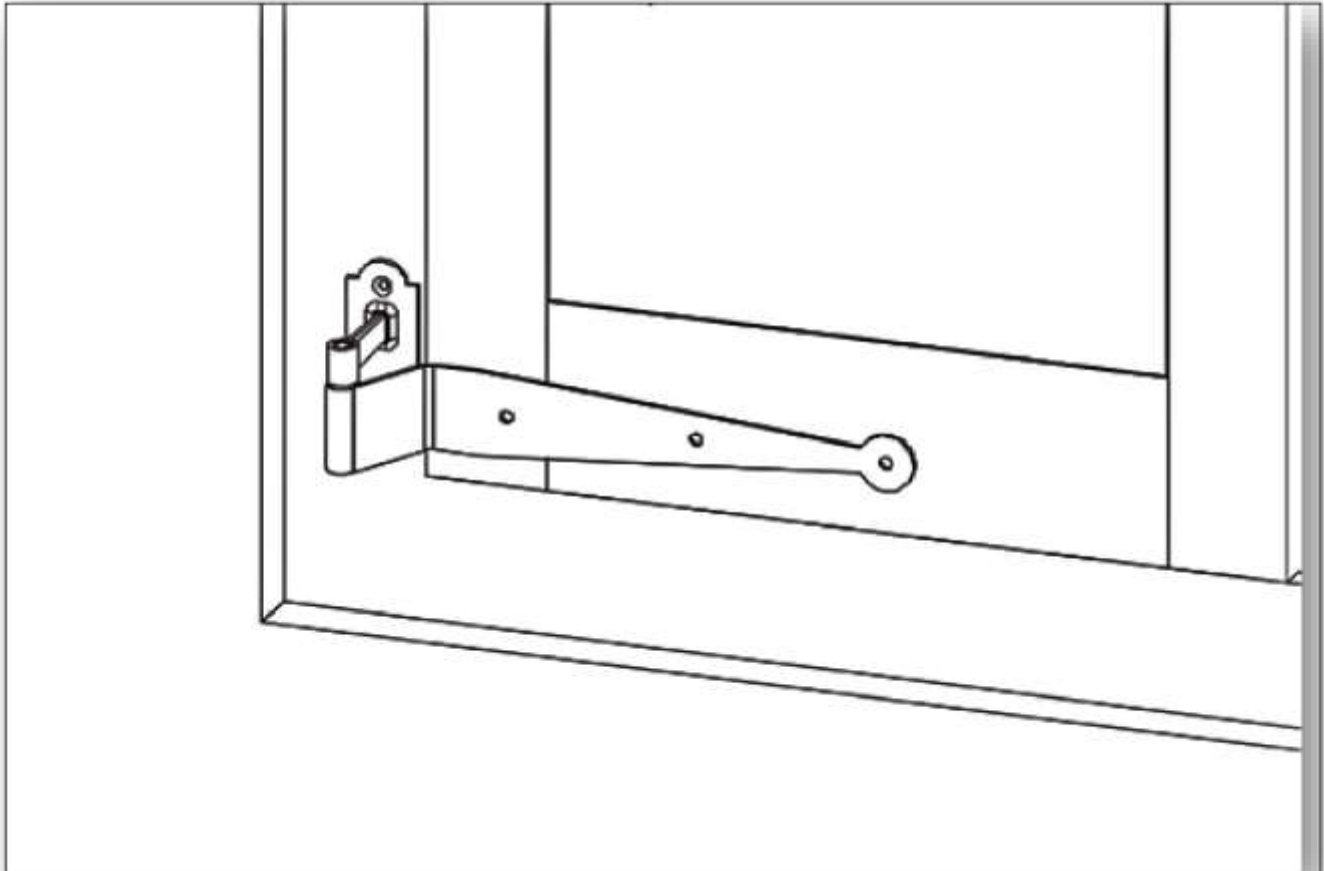
Screw the Hold Back Clip in position.

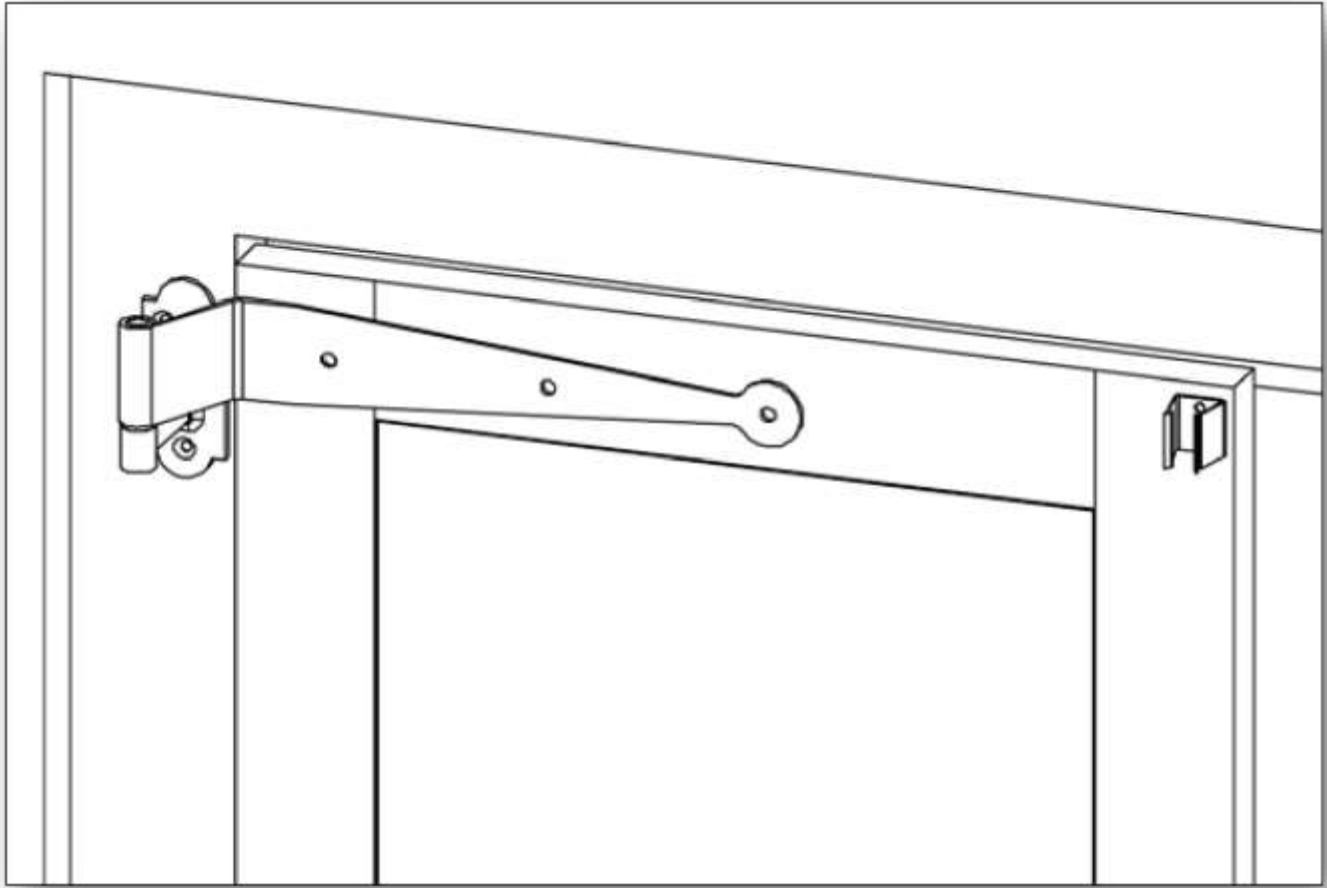
It is recommended that you use 2 Acorn per shutter.

Shutters larger than 55" in height require 2 sets of Acorns per shutter.

Repeat the above step on the bottom corner of the shutter.

IMPORTANT: Acorn Holdbacks are recommended for use on the top outside corner and bottom outside corner of each shutter. **DO NOT** install Acorn Holdbacks in the middle of the shutter.





Swing the shutter open and mark the location for the Acorn Clip on the wall. If mounting in a wood surface drill a 1/4" pilot hole and mount the Acorn Clip. If mounting in a masonry surface use the appropriate anchor



After the Acorn clips are attached to the wall and the shutter is locked in the open position you can install the S Holdback or the Rat-tail Holdback.

To install the S Holdback or a Rat-tail Holdback, measure 1 1/2" down from the bottom edge, and 1-3/4" in from the outside edge of the shutter.

If mounting in a wood surface drill a 1/4" pilot hole.

If mounting in a masonry surface use the appropriate anchor.

Screw the S Holdback or Rat-tail Holdback in place.

The S Holdback and Rat-tail is recommended as a decorative use as opposed to a functional one.

