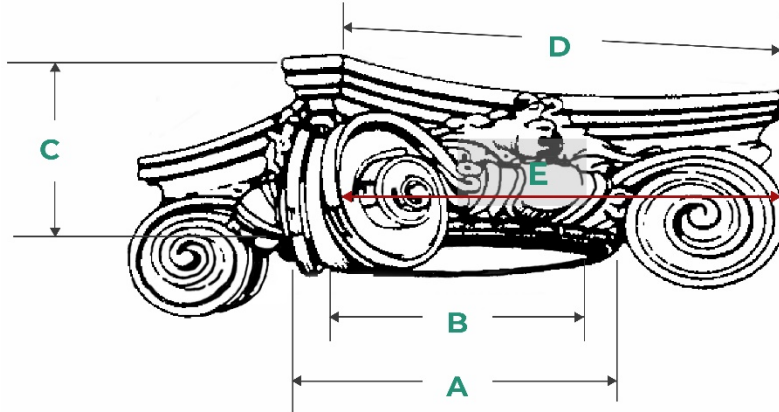




SCAMOZZI CAPITAL



OUTSIDE DIAMETER	INSIDE DIAMETER	OVERALL HEIGHT	ABACUS WIDTH	SCROLL TO SCROLL
A	B	C	D	E
3"	2"	2"	5-1/2"	4-1/2"
4-1/4"	3"	2-1/2"	6-1/2"	5-1/4"
4-1/2"	3"	2-1/2"	6-1/2"	5"
5-1/4"	4"	2-5/8"	7-3/4"	6-1/4"
5-1/2"	4"	2-1/2"	8-1/2"	7-1/2"
6"	4-1/2"	2-7/8"	10"	8"
6-3/4"	5"	3"	10-1/4"	9"
7-1/4"	5-1/2"	3-1/4"	10-1/2"	9"
7-3/4"	6"	3-1/2"	11"	9-3/8"
8-1/4"	7"	3-7/8"	13-1/2"	11-3/8"
8-1/2"	7"	3-7/8"	14-1/2"	12-1/2"
9-1/2"	7-1/2"	4-1/2"	16"	14"
10"	8-1/2"	4-7/8"	16-3/4"	14"
11"	9"	5"	17-1/2"	15-1/2"
12"	9-1/2"	5-1/2"	19"	16-3/4"
13"	10"	6"	19-1/2"	16-1/2"
14-1/2"	12"	6-1/4"	22-1/4"	18-1/2"
15-1/4"	13-1/2"	7"	23-1/2"	23"
16"	13-1/2"	7-1/2"	25"	20-1/4"
17-1/2"	14"	8-3/4"	26"	21-1/2"
18"	16"	8-1/2"	28-1/2"	24"
21"	18"	10-1/4"	34-1/4"	29-1/2"
22-1/2"	19"	11"	35-1/2"	29-3/4"
25"	22"	12-3/4"	39"	33"