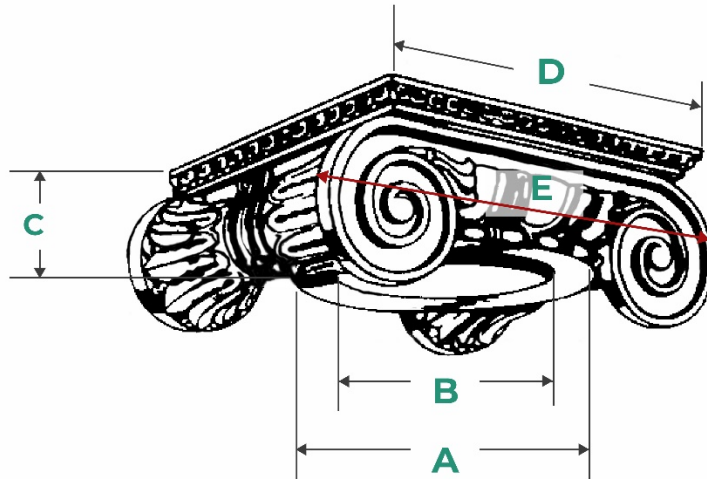




ROMAN IONIC CAPITAL



OUTSIDE DIAMETER	INSIDE DIAMETER	OVERALL HEIGHT	ABACUS WIDTH	SCROLL TO SCROLL
A	B	C	D	E
5-1/4"	4"	2-1/4"	6-1/8"	8-1/16"
6-1/2"	5-1/2"	3"	8-1/4"	10-1/2"
7-1/2"	6-1/2"	3-1/4"	10-1/8"	12"
8"	6-3/4"	3-5/8"	10-1/2"	13-1/2"
9"	7-3/4"	3-5/8"	11"	13-5/8"
10-1/2"	9"	4-1/2"	12-1/2"	16-1/2"
11-1/2"	10"	4-3/4"	13-1/2"	17-1/4"
12"	10-1/2"	5-1/2"	17-1/2"	23"
13"	11"	5-1/2"	17-1/2"	23"
13-1/2"	12"	6-1/8"	17-1/2"	22"
16-1/4"	14-1/2"	6-1/2"	20"	24-1/4"
18-3/4"	16-1/2"	8-3/4"	25"	31-3/4"
20-1/2"	18"	9"	25-1/4"	33"
22-3/4"	20-1/2"	9-1/2"	26-1/2"	33-3/4"
25"	21-3/4"	12-1/2"	32"	40-1/2"