

Keyless, Digital Smart Locks with Remote Operations

Specifications



Model No	: PH-LT-SLV-05
Interface	: Rubberised Buttons
Lock Type	: Latch
Material	: Zinc Alloy
Dimensions	: 154x68x78mm
Door Width	: 38mm - 48mm
Backset	: 60/70mm
Weight	: 2.3kgs
Communication	: Bluetooth 4.0 BLE
Operation Mode	: Bluetooth, Password, Mechanical Key

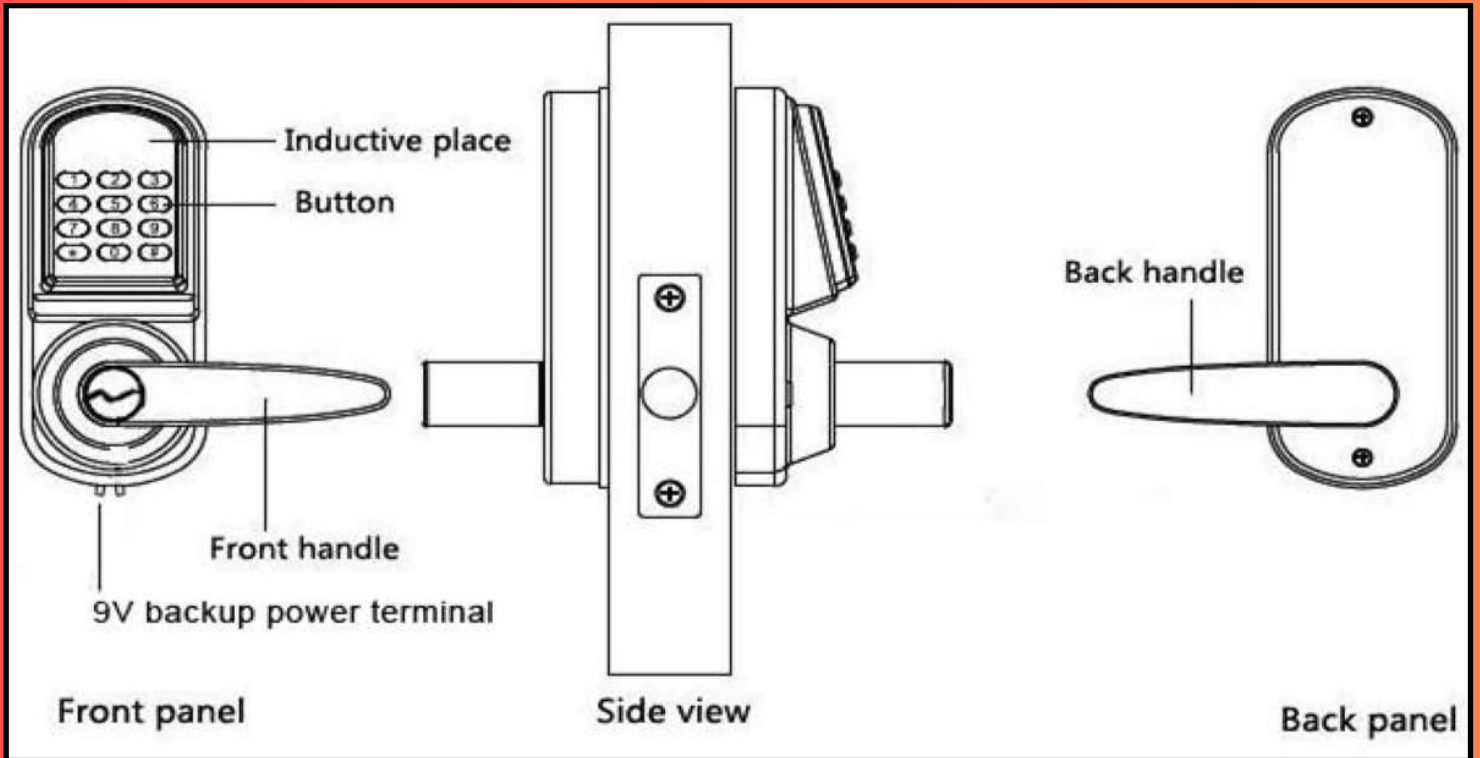
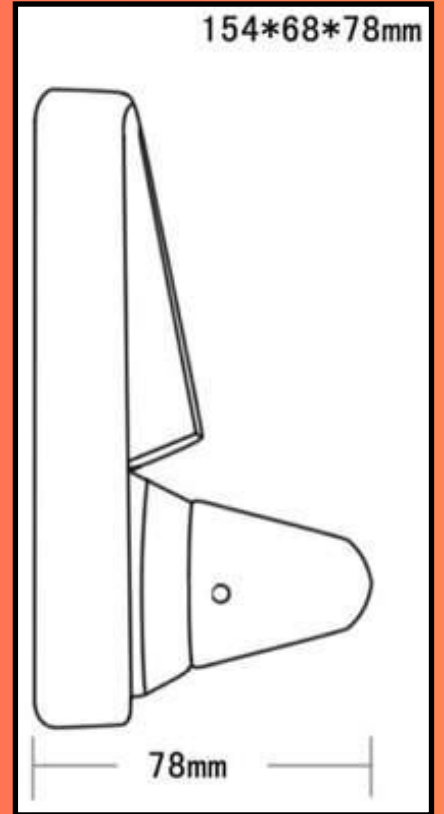
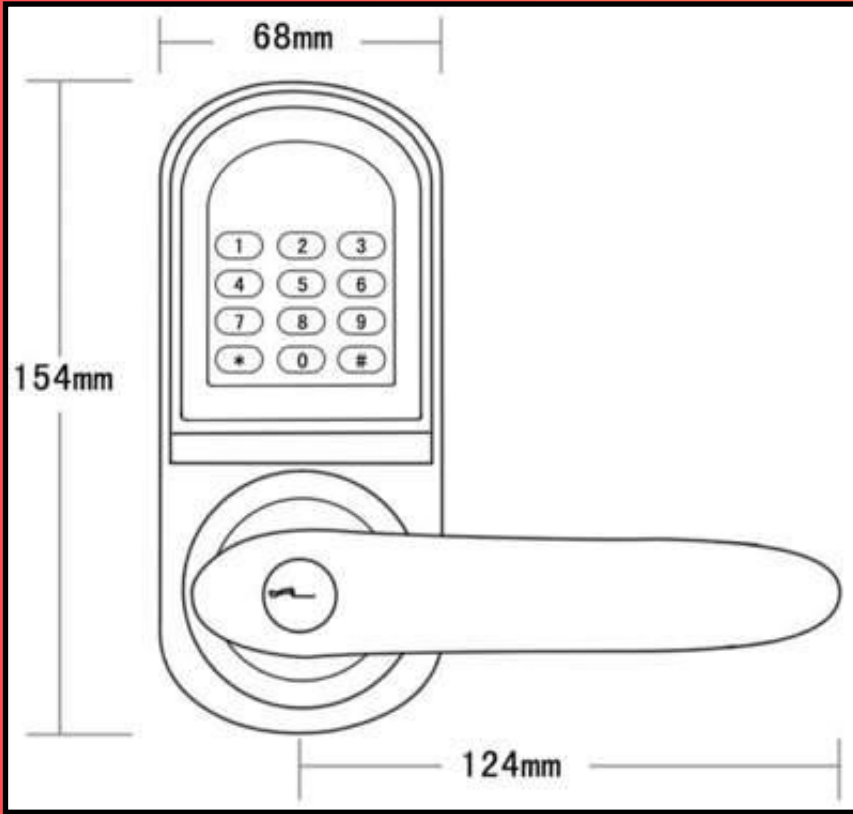
Mobile OS	: Android 4.3 / IOS 7.0 or above
Power Supply	: 4 x AA Batteries

No Internet, GSM or WiFi required for Remote Operation

Ideal for : Remote Locations
Airbnb Hosts, Holiday Homes, Shared Accomodations etc..

Salient Features :

- No Keys Required
- Password/PIN Code
- Bluetooth Compatible
- One Time Access via Password
- Timed Access via Password
- Permanent Access via Password
- eKey for Bluetooth Access via Mobile Phone
- No need for Guests to Download APP or Register
- Super easy and convenient to use
- Auto Lock Feature



DOOR GUARD Pty Ltd

W : www.doorguard.com.au | E : sales@doorguard.com.au | M : 0415.560.588
12 Chippendale Terrace Burwood East VIC 3151 Australia

Keyless, Digital Smart Locks with Remote Operations

Specifications



Model No	: TS-LT-BLK-05
Interface	: Touch Screen
Lock Type	: Latch
Material	: Zinc Alloy
Dimensions	: 177.5x70mm
Door Width	: 38mm - 48mm
Backset	: 60/70mm
Handle Length	: 99.8mm
Power Supply	: 4 x 1.5v AA Alkaline Batteries (not supplied)
Static Current	: $\leq 18\mu\text{A}$
Working Current	: $\leq 200\text{mA}$
Temperature	: 0-60degree Centigrade
Humidity	: 15%~95%RH
Weight	: 2.7kgs
Comms	: Bluetooth 4.0 BLE

Operation	: Bluetooth, Password, Mechanical Key
Mobile OS	: Android 4.3 / IOS 7.0 or above

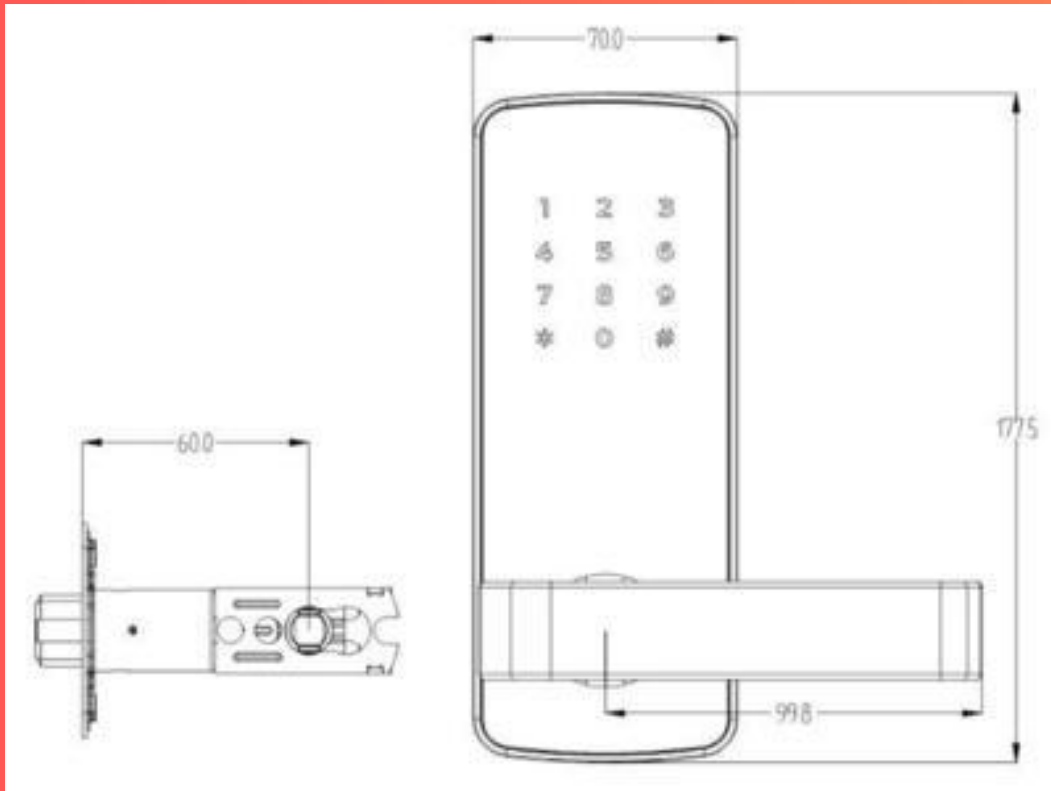
Anti Break-in Function - When a wrond password is keyed in 5 times, the Keypad is locked for 5 minutes.

No Internet, GSM or WiFi required for Remote Operation

Ideal for : Remote Locations
Airbnb Hosts, Holiday Homes, Shared Accomodations etc..

Salient Features :

- No Keys Required
- Password/PIN Code
- Bluetooth Compatible
- One Time Access via Password
- Timed Access via Password
- Permanent Access via Password
- eKey for Bluetooth Access via Mobile Phone
- No need for Guests to Download APP or Register
- Super easy and convenient to use
- Auto Lock Feature



DOOR  GUARD Pty Ltd

W : www.doorguard.com.au | E : sales@doorguard.com.au | M : 0415.560.588
12 Chippendale Terrace Burwood East VIC 3151 Australia

Keyless, Digital Smart Locks with Remote Operations



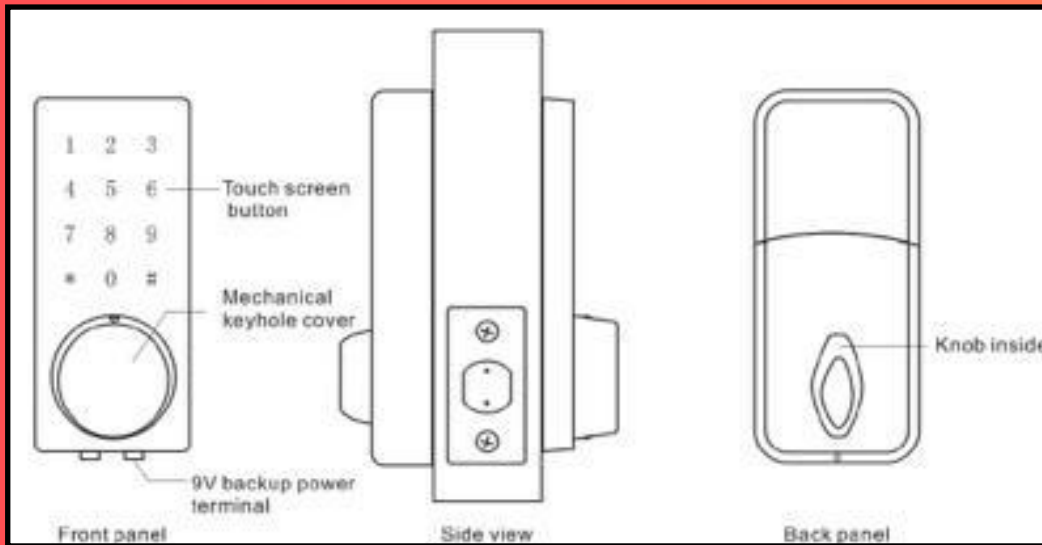
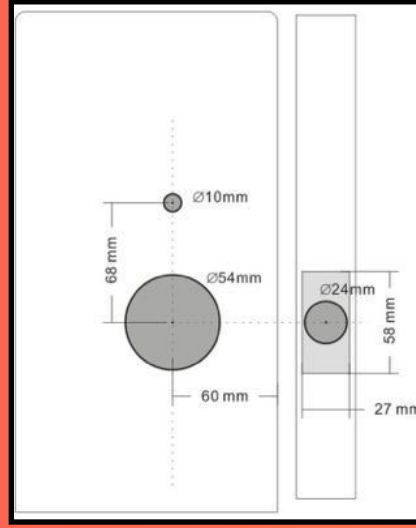
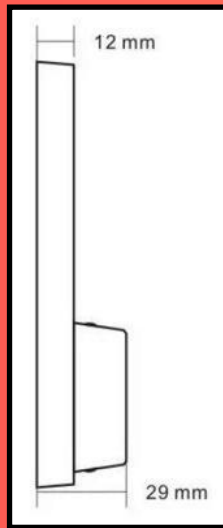
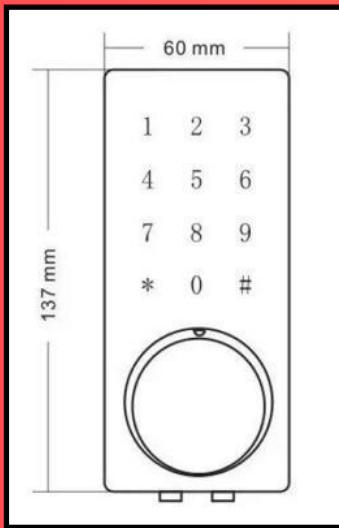
**No Internet, GSM or WiFi
required for Remote
Operation**

**Ideal for : Remote Locations
Airbnb Hosts, Holiday Homes, Shared
Accommodations, etc..**

Salient Features :

- No Keys Required
- Password/PIN
- Bluetooth Compatible
- One Time Access via Password
- Scheduled Access via Password (Start Date / End Date and Time)
- Permanent Access via Password
- Cyclic Access (Weekdays, Weekends, Specific Days and Time)
- eKey for Bluetooth Access via Mobile Phone
- No need for Guests to Download APP or Register
- Super easy and convenient to use

Model No : TS-DB-SLV-05 / TS-DB-BLK-05
Interface : Touch Screen
Lock Type : Deadbolt
Material : Zinc Alloy
Dimensions : 137x60x12mm
Door Width : 38mm - 48mm
Backset : 60/70mm
Weight : 1.5kgs
Communication : Bluetooth 4.0 BLE
Operation Mode : Bluetooth, Password, Mechanical Key
Mobile OS : Android 4.3 / IOS 7.0 or above
Power Supply : 4 x AA Batteries



DOOR GUARD Pty Ltd

W : www.doorguard.com.au | **E** : sales@doorguard.com.au | **M** : 0415.560.588
 12 Chippendale Terrace Burwood East VIC 3151 Australia

Keyless, Digital Smart Locks with Remote Operations



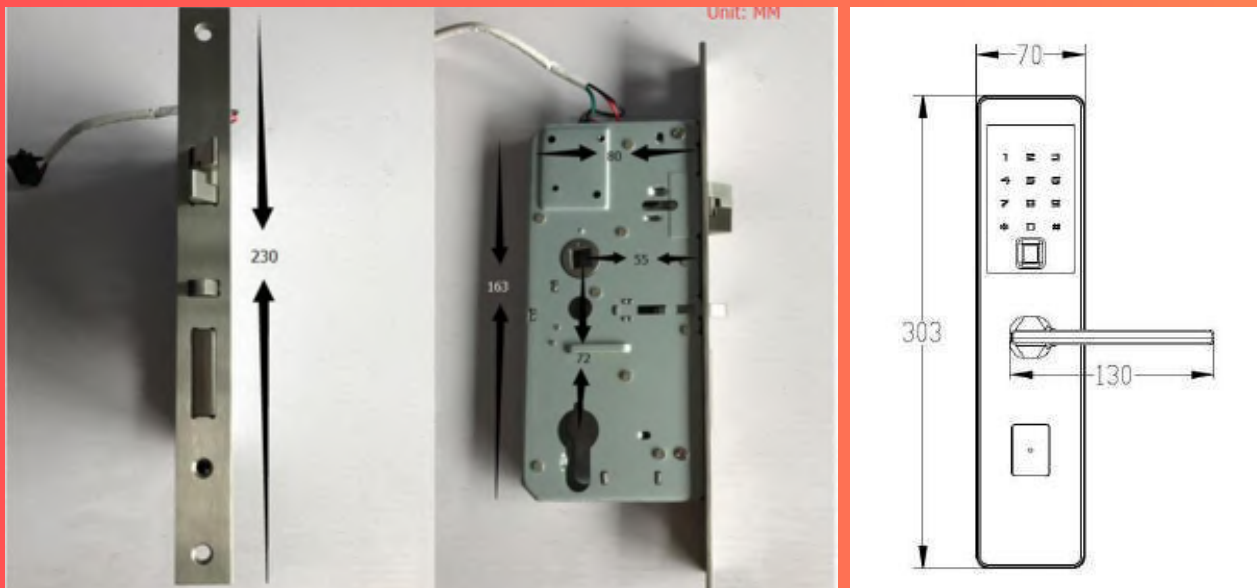
Salient Features :

- ✓ Auto Lock (Mechanical)
- ✓ Privacy button
- ✓ Working environment: $-40^{\circ}\text{C} \sim 70^{\circ}\text{C}$
- ✓ Unlocking methods (5 ways):
 - ✓ PinCode
 - ✓ Smartphone / Bluetooth (via APP)
 - ✓ Fingerprint
 - ✓ MiFare Card
 - ✓ Mechanical Key
- ✓ Door Thickness: 38mm and 70mm
- ✓ Deadbolt and Latch combination
- ✓ LED indicator & audible tone
- ✓ Battery operated (4xAA approx lasts for one yr)

- ✓ Touch-keypad with capacitive buttons
- ✓ Quality certification: CE
- ✓ Low battery warning (4.8V)
- ✓ Emergency power supply via mini USB port
- ✓ Material : Die Cast Zinc Alloy Body
- ✓ Quality Semi Conductor Biometric Sensor
- ✓ Tempered Glass Touch Screen
- ✓ Ultra thin Panel and Handle
- ✓ Theftproof Super B Grade cylinder
- ✓ Hidden Mechanical Keyhole

- ✓ 304 Stainless Steel Mortise
- ✓ DeadBolt Lock Switch
- ✓ Voice Feedback
- ✓ Decoy Code support (Scrambling Pincodes)
- ✓ View Access History

Model No	: TS-MOR-BLK-05 / TS-MOR-SLV-05
Interface	: Touch Screen
Lock Type	: Mortise
Material	: Die Cast Zinc Alloy Body
Door Thickness	: 38mm - 70mm
Weight	: 4.7kgs
Communication	: Bluetooth 4.0 BLE
Operation Mode	: Bluetooth, Pincode, Fingerprint, Card, Key
Mobile OS	: Android 4.3 / IOS 8.0 or above
Power Supply	: 4 x AA Batteries
Fingerprint Capacity	: 100
MiFare Cards Capacity	: 150
Pincode Capacity	: 150
Fingerprint False Accept Rate	: <0.001%
Fingerprint False Reject Rate	: <0.01%
Unlock time	: ≈ 1.5 sec
Power supply	: 4pcs AA batteries
Static current	: ≤65uA
Working current	: ≤200mA



**No Internet, GSM or WiFi required for Remote Operation
 Open From Smartphone, Bluetooth, Fingerprint, RFID Card or Keys
 Top Quality, Premium Finish, Secure, All In One Smart Lock**

DOOR  **GUARD** Pty Ltd

W : www.doorguard.com.au | **E** : sales@doorguard.com.au | **M** : 0415.560.588
 12 Chippendale Terrace Burwood East VIC 3151 Australia