



YOSHIMURA

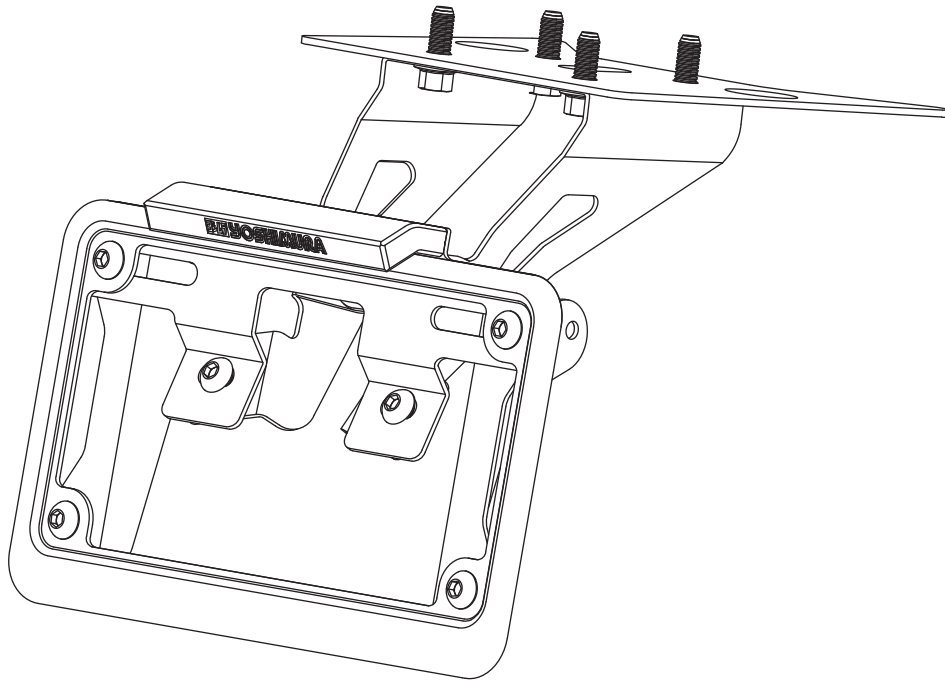
RESEARCH&DEVELOPMENT OF AMERICA, INC.

5420 DANIELS STREET STE A, CHINO CA., 91710 · (800) 634-9166 · (909) 628-4722 · FAX (909) 591-2198

www.yoshimura-rd.com

FENDER ELIMINATOR KIT

070BG163810
KTM 390 Duke

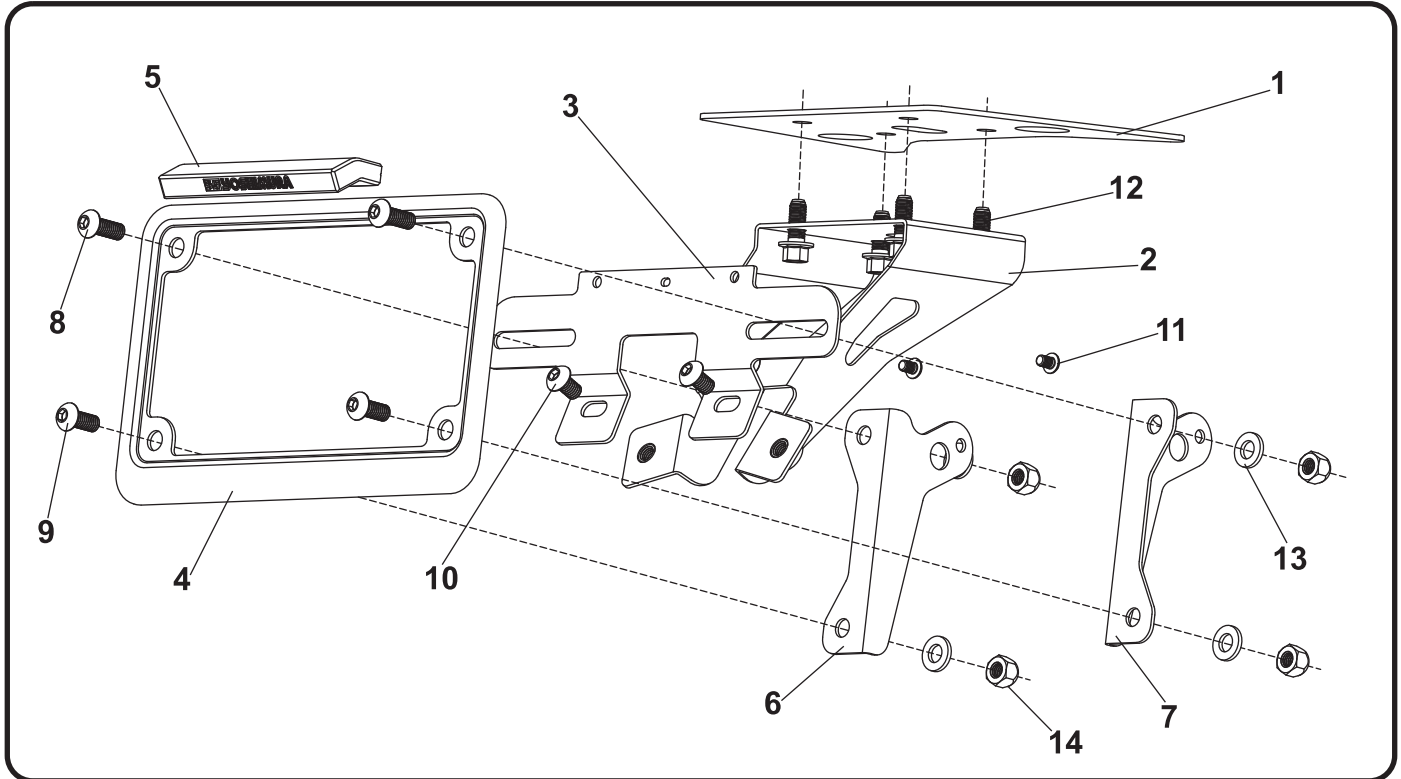


THIS PRODUCT IS NOT DOT APPROVED.

Yoshimura R&D of America, Inc. is not liable or responsible for any resulting event caused by the installation of this product. Check with local laws and regulations for compliance prior to installation and use. This product is not intended for use on public highways.



Assembly Diagram



No.	Item	Description	Qty.
1	16381-FEBKT1	Fender Eliminator Plate	1
2	16381-FEBKT2	Fender Eliminator Bracket	1
3	12200-FEBKT	License Plate Bracket	1
4	070BG-LPF	License Plate Frame	1
5	070BG-LH-K	LED Light	1
6	16290-TSBKT-L	Left Turn Signal Bracket	1
7	16290-TSBKT-R	Right Turn Signal Bracket	1
8	M6X16BHS	6mm x 16mm Button Head Screw	2
9	M6X14BHS	6mm x 14mm Button Head Screw	2
10	M6X10BHS	6mm x 10mm Button Head Screw	2
11	M4X6BHS	4mm x 6mm Button Head Screw	2
12	M6X16H	6mm x 16mm Flanged Hex Head Bolt	4
13	6MMWASHER	6mm Washer	4
14	6MMLN	6mm Nylon Lock Nut	4
**	17029	Yoshimura Sticker Kit	1
**	BN-SSS-22-18	Butt Connectors	2
Optional Parts			
***	070BGUNVTBKT	Universal Turn Signal Bracket Kit	

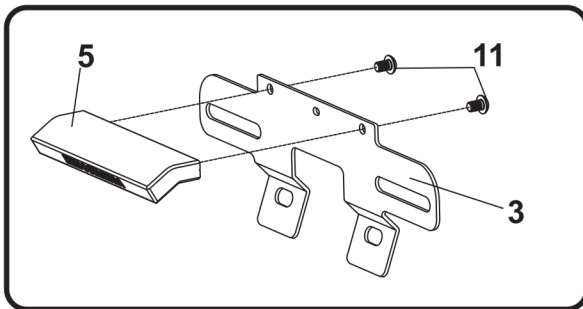
*** The Yoshimura Universal Turn Signal Bracket Kit is to be used with aftermarket stud-mounted turn signals and is sold separately.

Removal

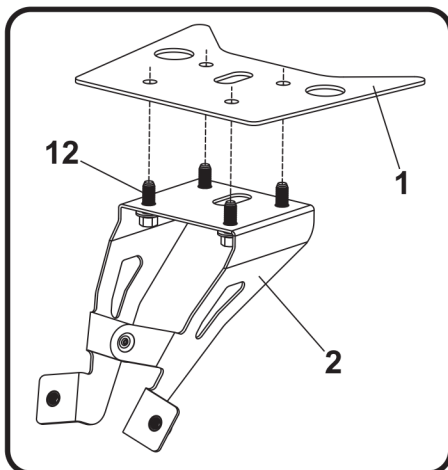
1. Remove passenger seat.
2. Locate and disconnect license plate light and turn signal connectors.
3. While securely supporting the stock fender assembly, remove the four bolts securing the fender assembly to the subframe. Carefully remove the stock fender assembly making sure not to damage the connectors in the process.
4. Disassemble the stock fender assembly and remove the left and right turn signals.
5. Cut the stock license plate light connector from the stock fender assembly. Cut wires 2-3" from the license plate light bulb.

Installation

1. Install (No. 5) *070BG-LH-K*, Yoshimura license plate light onto (No. 3) *12200-FEBKT*, Yoshimura fender eliminator bracket using (No. 11) *M4X6BHS*, 4mm button head screws provided in the kit.



2. Stack and install (No. 1) *16381-FEBKT1*, fender eliminator plate and (No. 2) *16381-FEBKT2*, fender eliminator bracket using (No. 12) *M6X16H*, 6mm flanged hex head bolt as shown below.



3. Connect the Yoshimura license plate light wires to the stock license plate light wires as follows:

Red -to- Brown

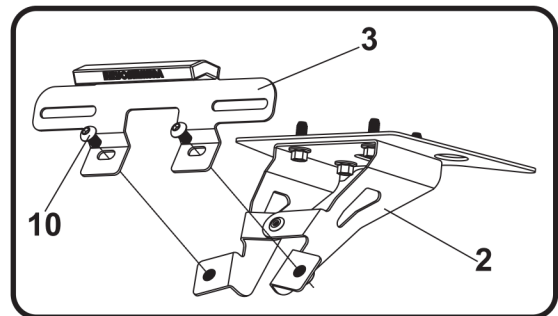
Black -to- Black w/ Yellow Stripe

- a) Strip the stock fender light wire ends 1/4" - 1/2" and insert into *BN-SSS-22-18*, butt connectors provided in the kit.
- b) Center the spliced wire ends in the middle and using a heatgun or lighter, apply heat evenly on the outer edges of the butt connector to shrink and hold wires in place.
- c) Making sure that the stripped ends are centered, heat the center of the butt connector evenly until the solder begins to liquify.
- d) Allow to cool completely and tug both ends of the wires to verify that connection is secured.

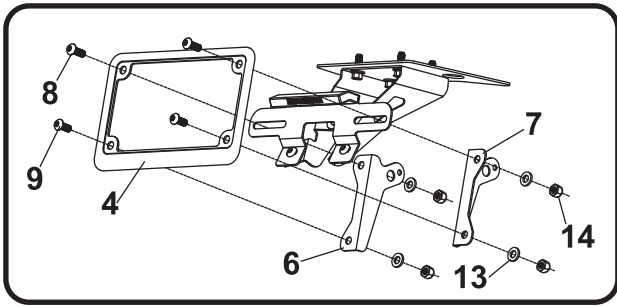
Scan for link to butt connector instruction video.



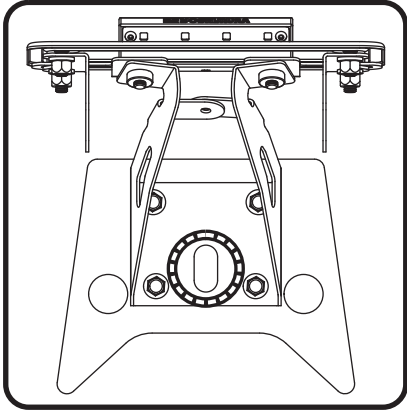
4. Install (No. 3) *12200-FEBKT*, license plate bracket onto (No. 2) *16381-FEBKT2*, fender eliminator bracket using (No. 10) *M6X10BHS*, 6mm screws as shown.



5. Install left and right turn signals onto (No. 6,7) *16290-TSBKT-L/R*, turn signal brackets.
6. Assemble and install (No. 4) *070BG-LPF*, license plate frame and (No. 6,7) *16290-TSBKT-L/R*, left and right turn signal brackets using (No. 8,9) *M6X16BHS* and *M6X14BHS*, 6mm screws as shown.



7. Route license plate light and turn signal wires through hole in bracket and through undertail.



8. Re-connect license plate light and turn signal wires.
9. Check for proper function of license plate light and turn signals and that all brackets and components are secure prior to riding.