

# plank

HARDWARE

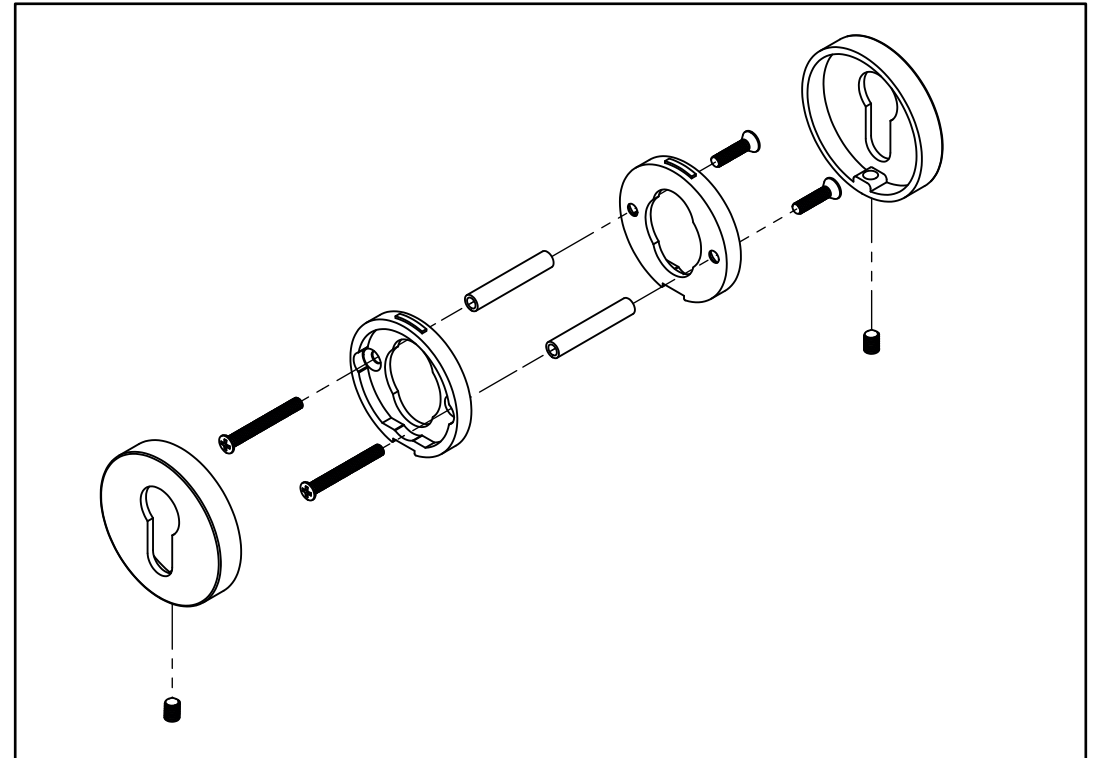
OHL – 38MM

## INSTALLATION MANUAL

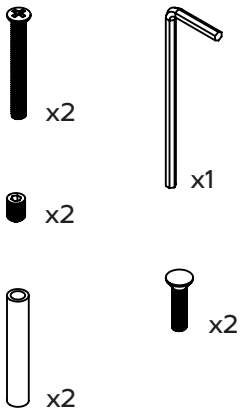
### BEFORE YOU START...

IF YOU ARE IN ANY DOUBT ABOUT THE INSTALLATION OF THIS PRODUCT, **STOP** AND SEEK PROFESSIONAL HELP

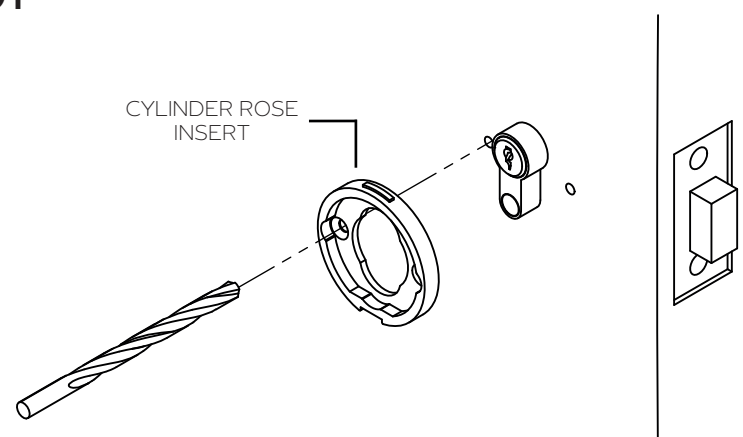
PLEASE NOTE THE DOOR LATCH/LOCK MECHANISM IS NOT INCLUDED – THIS SHOULD BE INSTALLED BEFORE STARTING



### INCLUDED

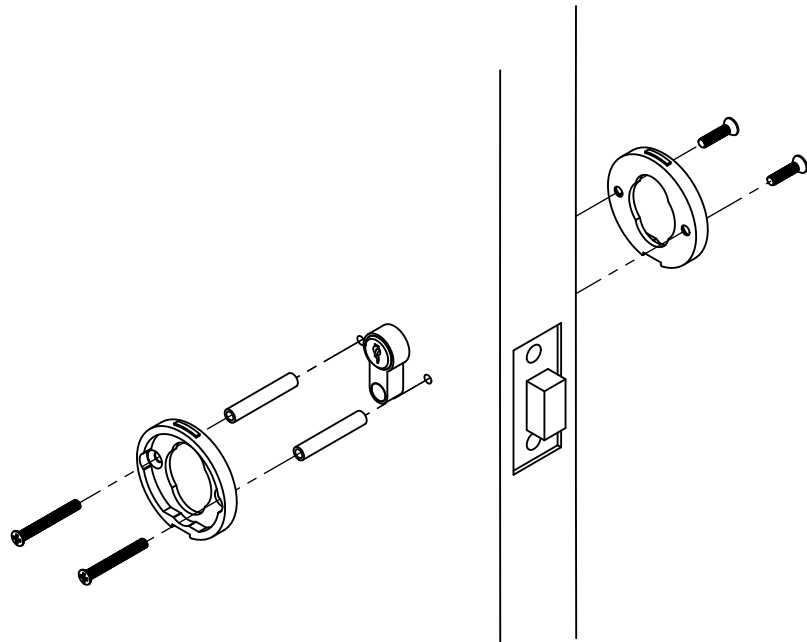
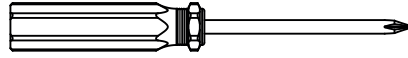


01

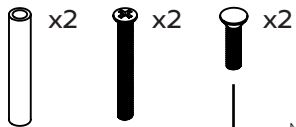


PLACE THE ROSE CYLINDER ROSE INSERT OVER THE PRE INSTALLED LATCH/LOCK MECHANISM AND MARK OUT THE MOUNTING POINTS. REMOVE THE CYLINDER ROSE INSERT AND USING A 6MM DRILL BIT, DRILL THROUGH THE MARKED

02



THREADED ROD

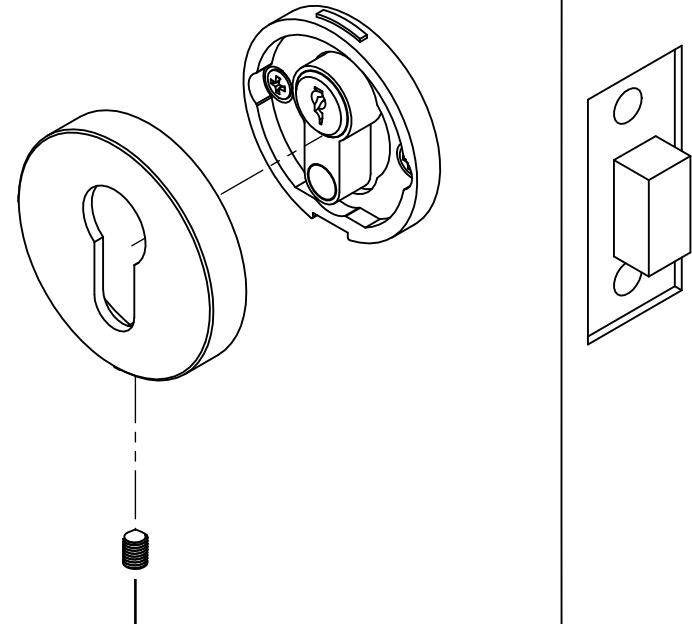


M4 X 32 MACHINE SCREW

M4 X 14 MACHINE SCREW

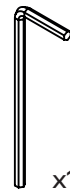
PLACE THE THREADED TUBES INSIDE THE NEWLY DRILLED HOLES. THEN SECURELY ATTACH THE CYLINDER ROSE INSERTS TO THE DOOR WITH THE MACHINE SCREWS PROVIDED. TIGHTEN THEM AT BOTH SIDES UNTIL IT FEELS SECURE

03



M4 GRUB SCREW

x2



x1

SLIDE THE ESCUTCHEON PLATE OVER THE TOP OF THE CYLINDER ROSE ON EACH SIDE OF THE DOOR. THEN PROCEED TO TIGHTEN THE GRUB SCREWS ON EACH PLATE UNTIL IT IS SECURELY IN PLACE EQUALLY ON EACH SIDE