

plank

HARDWARE

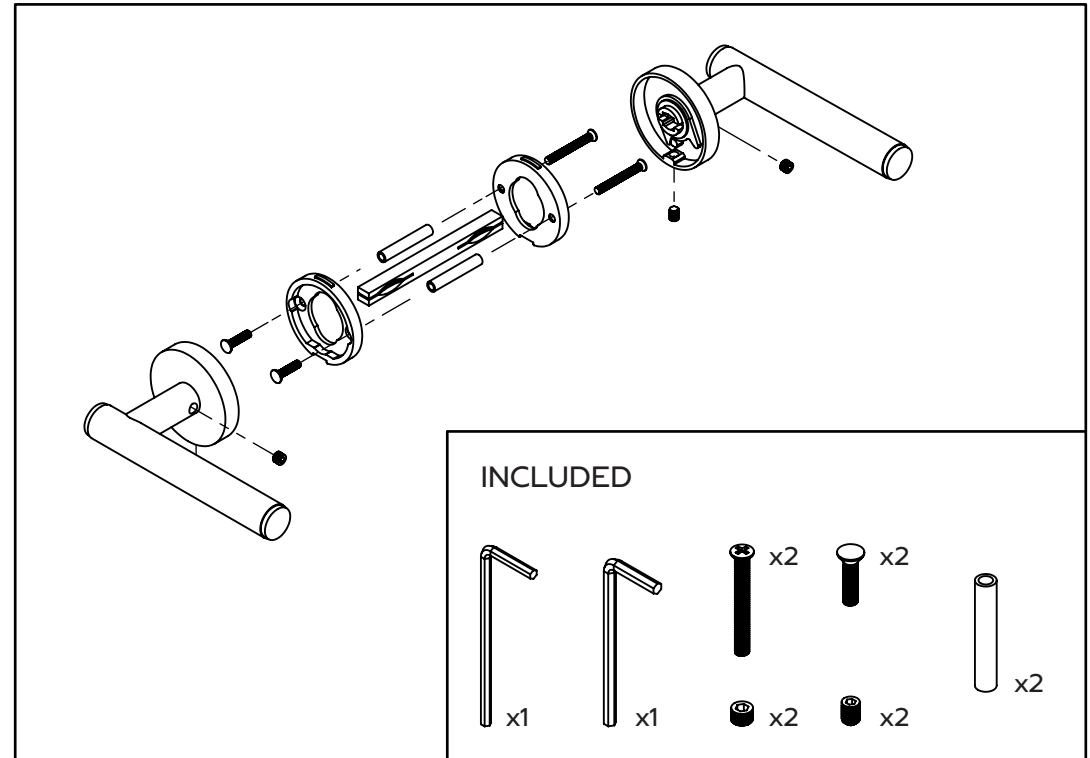
DOOR LEVER HANDLE – 38MM

INSTALLATION MANUAL

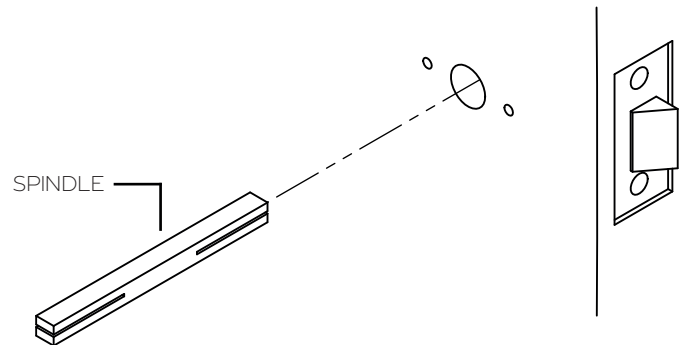
BEFORE YOU START...

IF YOU ARE IN ANY DOUBT ABOUT THE INSTALLATION OF THIS PRODUCT, **STOP** AND SEEK PROFESSIONAL HELP

PLEASE NOTE THE DOOR LATCH MECHANISM IS NOT INCLUDED – THIS SHOULD BE INSTALLED BEFORE STARTING

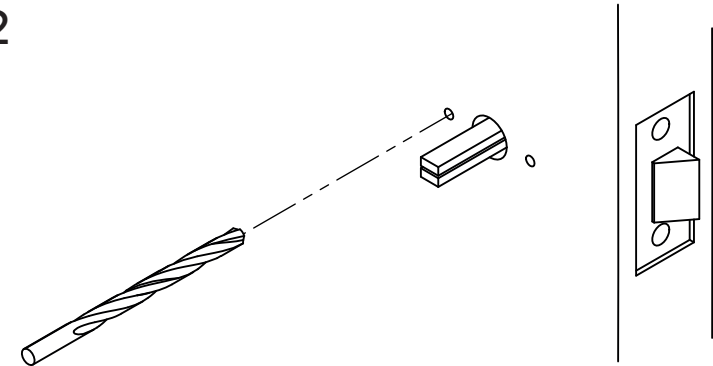


01



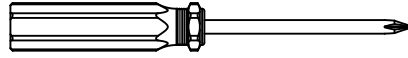
INSERT THE SPINDLE THROUGH THE LATCH MECHANISM TO FIND OUT WHERE THE SPINDLE SITS. THIS IS YOUR INSTALLATION CENTRE POINT. MEASURE OUT FROM THIS CENTRE POINT 19MM EACH SIDE & THEN PROCEED TO MARK THE HOLES FOR THE ROSE INSERT

02



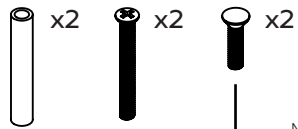
USING A 6MM DRILL BIT, DRILL THROUGH THE HOLES MARKED IN STEP 1

03



CYLINDER ROSE INSERT

THREADED ROD

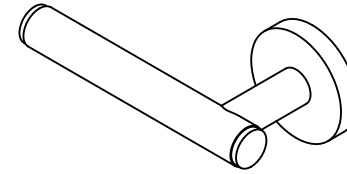


M4 X 32 MACHINE SCREW

M4 X 14 MACHINE SCREW

PLACE THE THREADED TUBES INSIDE THE NEWLY DRILLED HOLES. THEN SECURELY ATTACH THE CYLINDER ROSE INSERTS TO THE DOOR WITH THE MACHINE SCREWS PROVIDED. TIGHTEN THEM AT BOTH SIDES UNTIL IT FEELS SECURE

04



SLIDE THE LEVER HANDLE OVER THE TOP OF THE CYLINDER ROSE ON EACH SIDE OF THE DOOR; ENSURING THAT THE SPINDLE IS PERTRUDING

05

M6 GRUB SCREW

x2

x2

M4 GRUB SCREW

x1

x1

TIGHTEN BOTH GRUB SCREWS ON EACH LEVER HANDLE UNTIL IT IS SECURELY IN PLACE