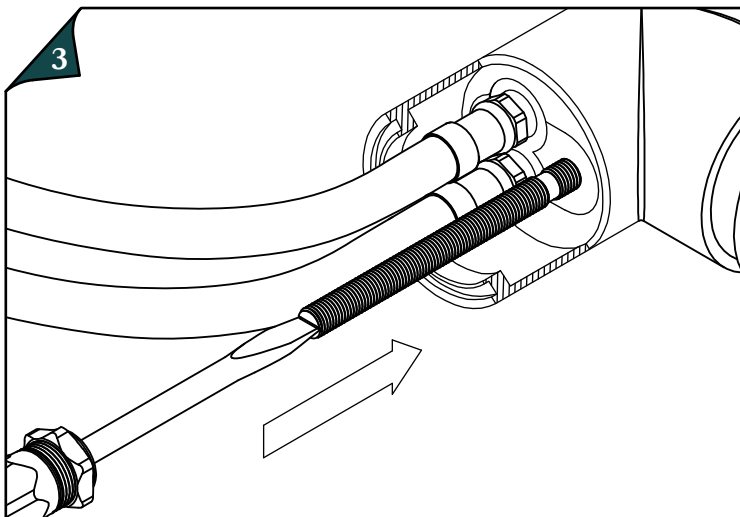
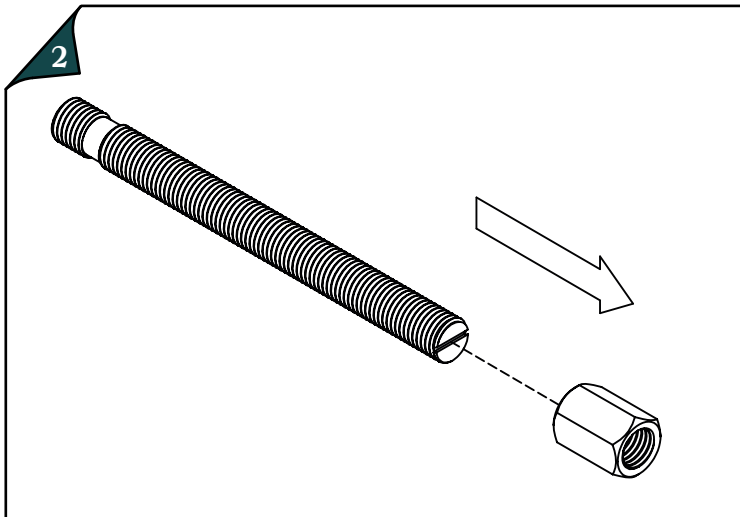
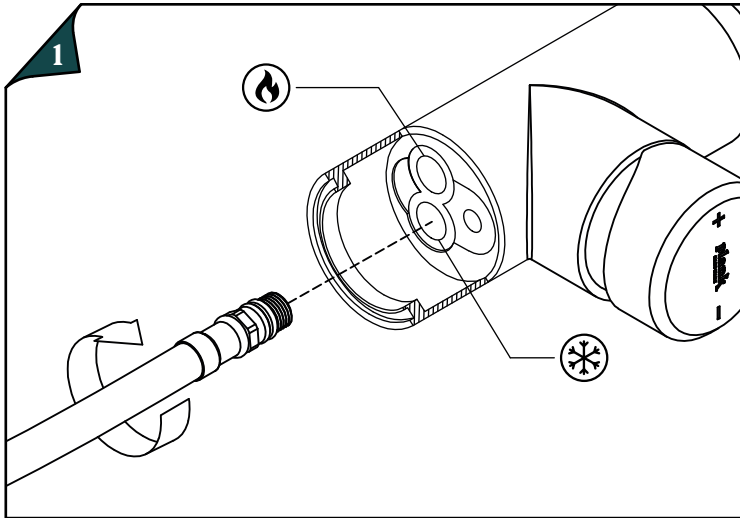
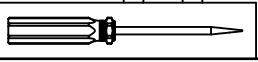
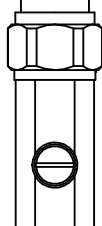
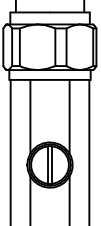




CLOSE VALVE BEFORE INSTALLATION

OPEN

CLOSED



# plank

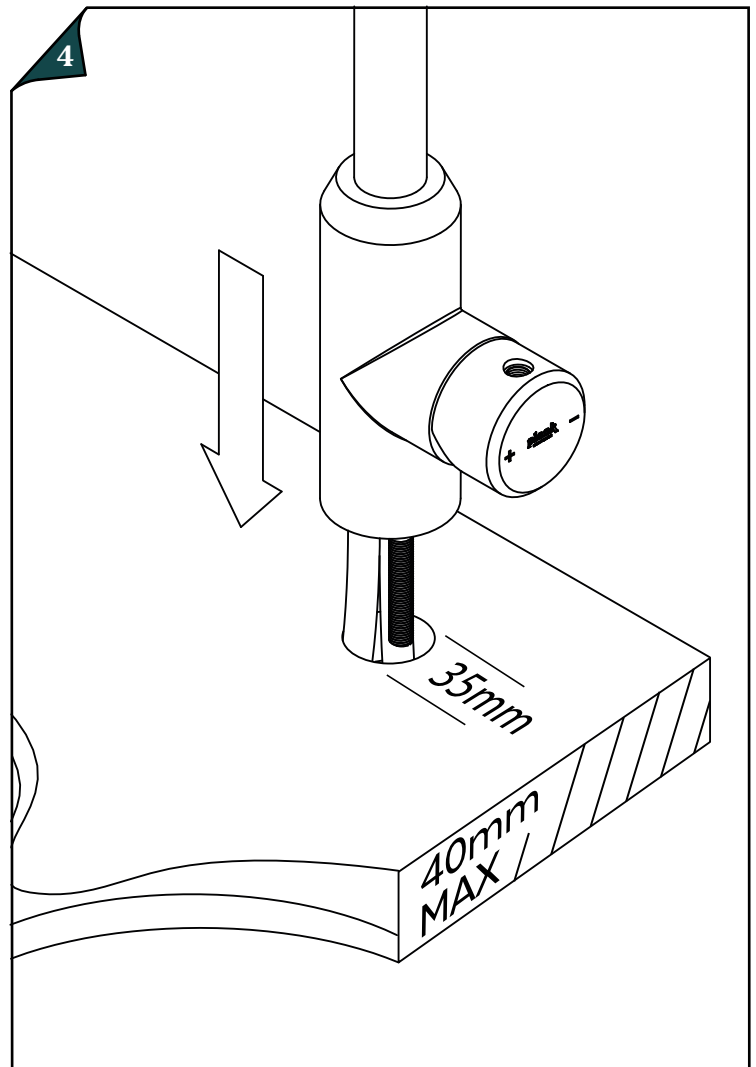
HARDWARE

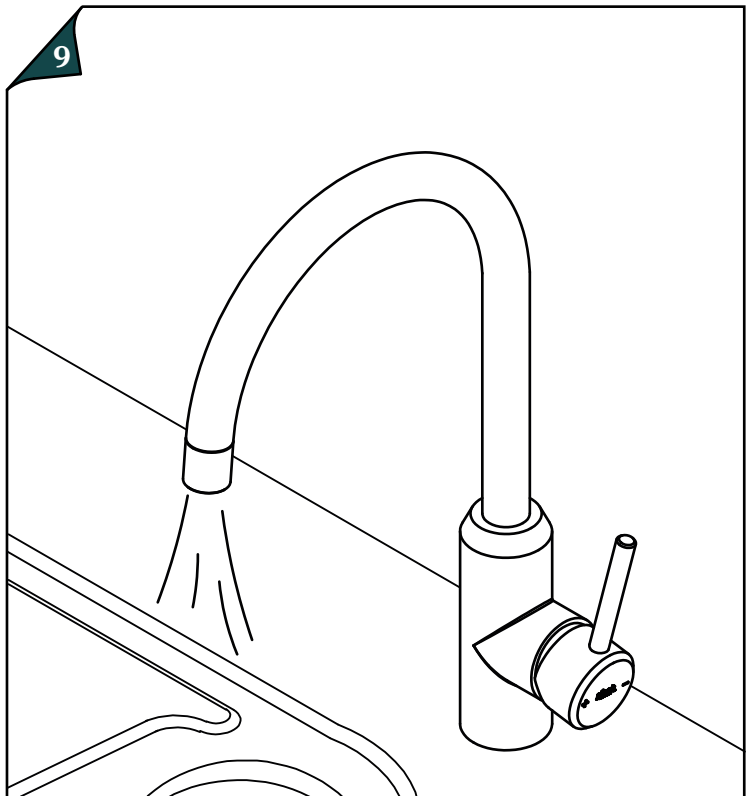
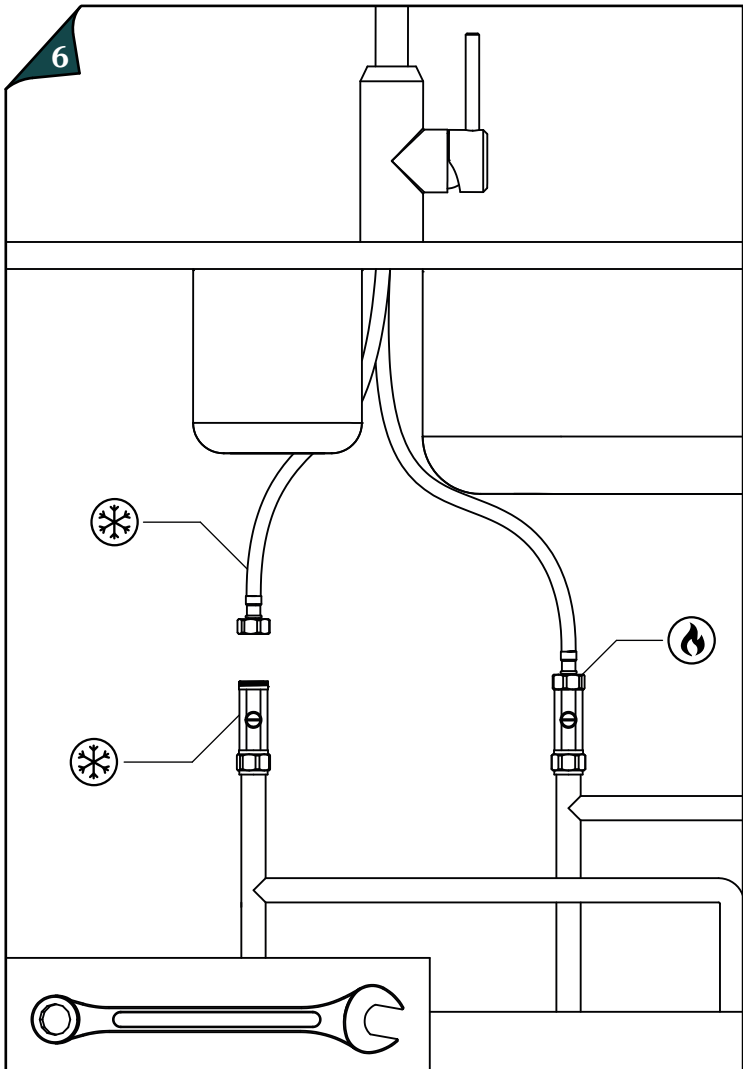
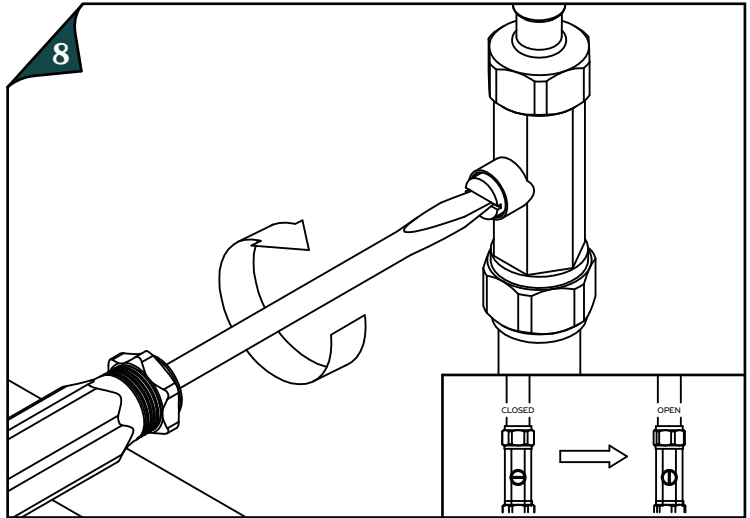
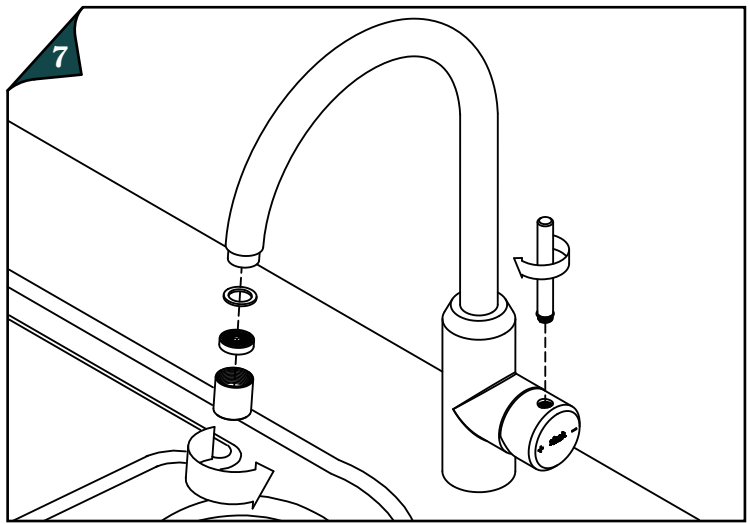
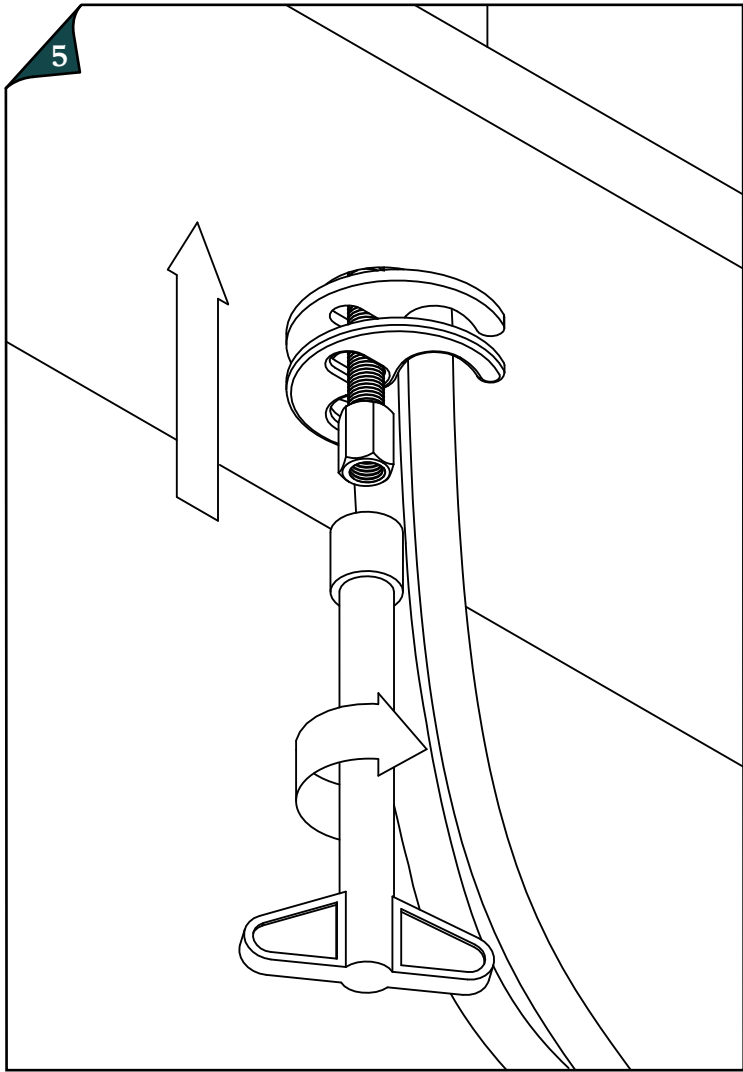
## KITCHEN MIXER TAP

INSTALLATION GUIDE

DETAILS

- X1
- ▬ X1





NO ABRASIVES

NO CHEMICALS

CLEAN WITH MILD LIQUID SOAP & WATER ONLY