

plank

HARDWARE

BACK-TO-BACK FIXING KIT

INSTALLATION GUIDE

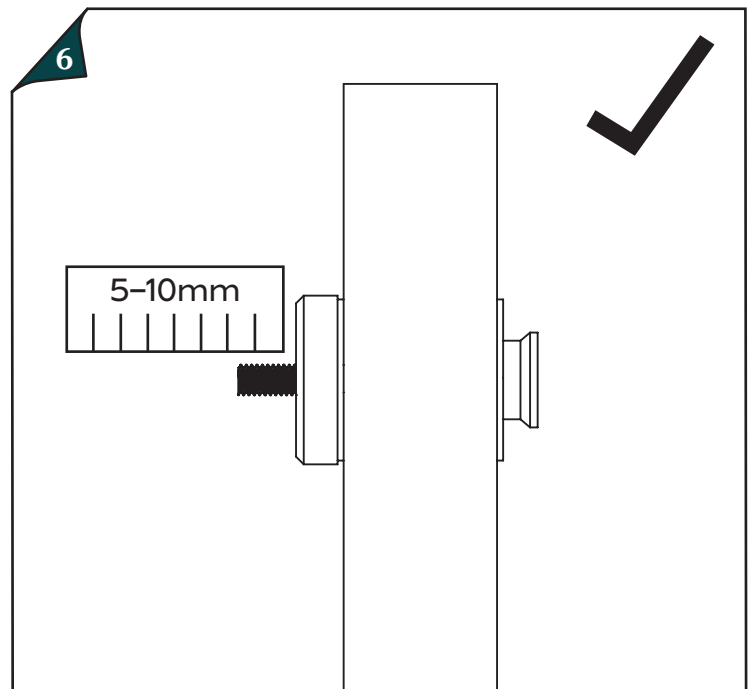
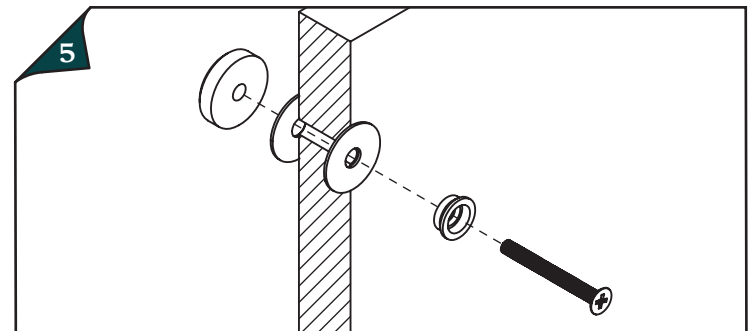
X2 X2 X2

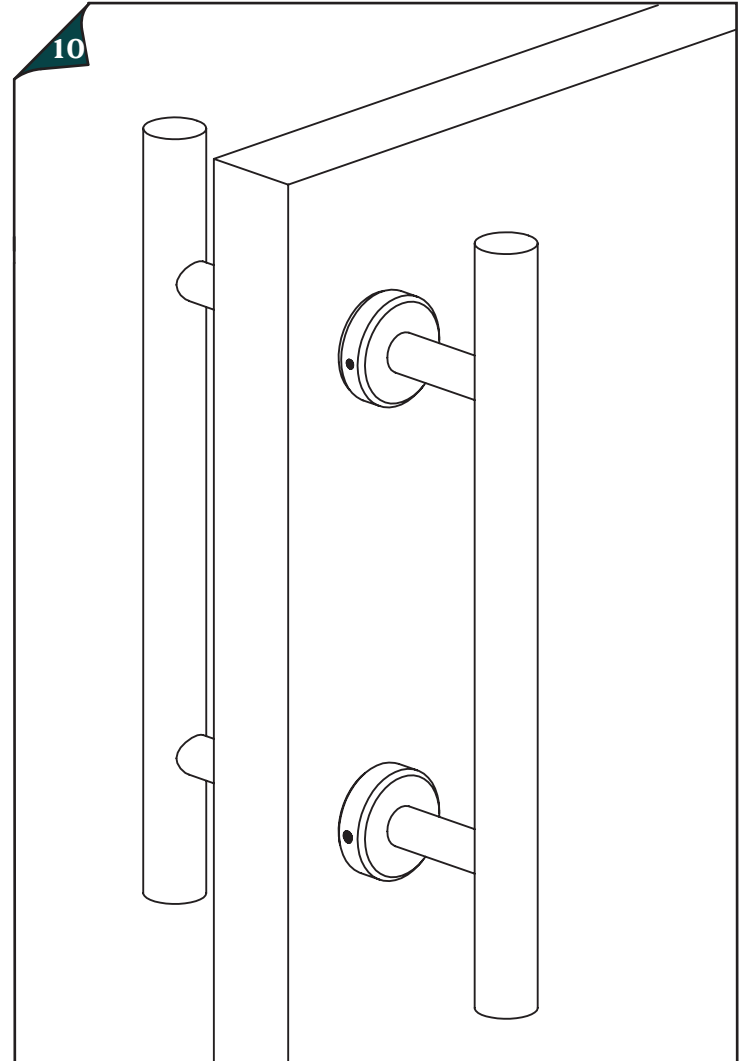
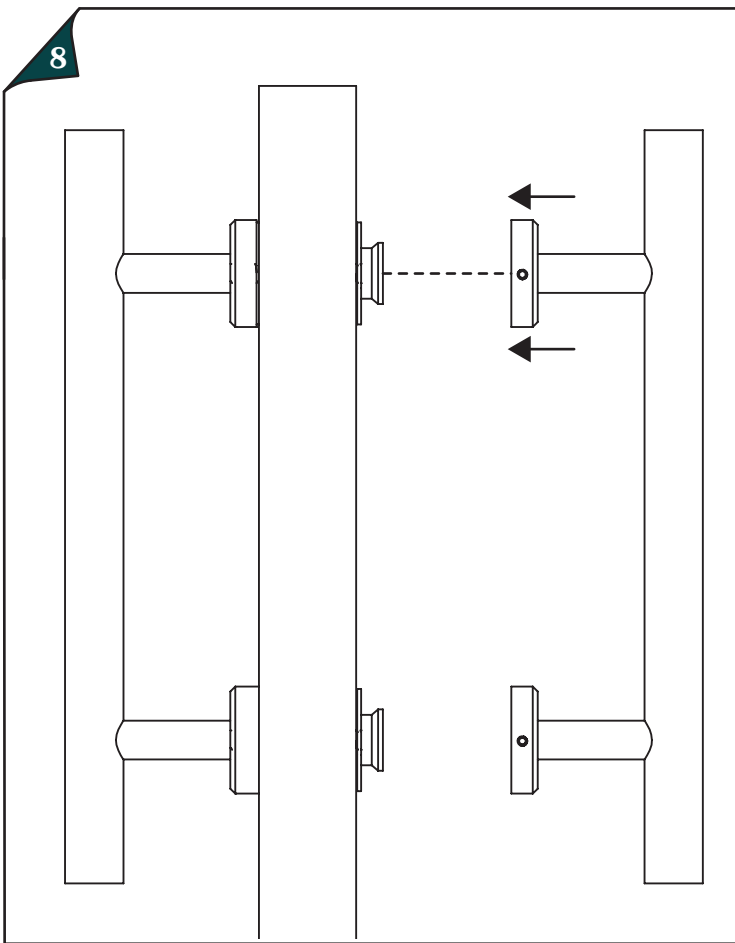
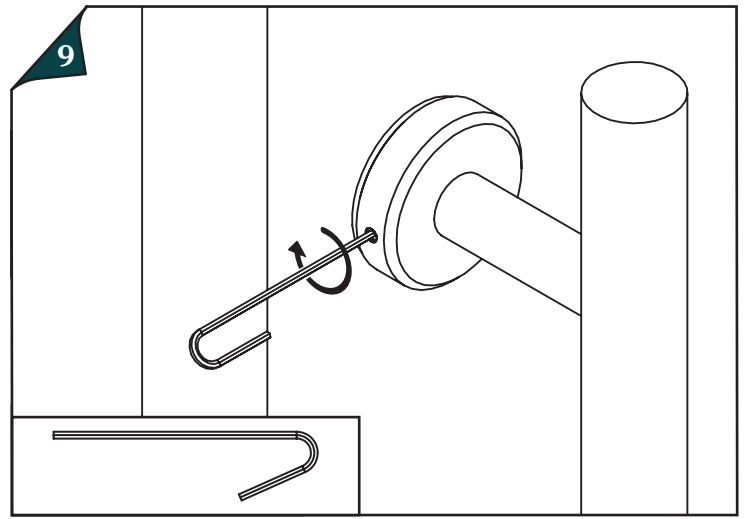
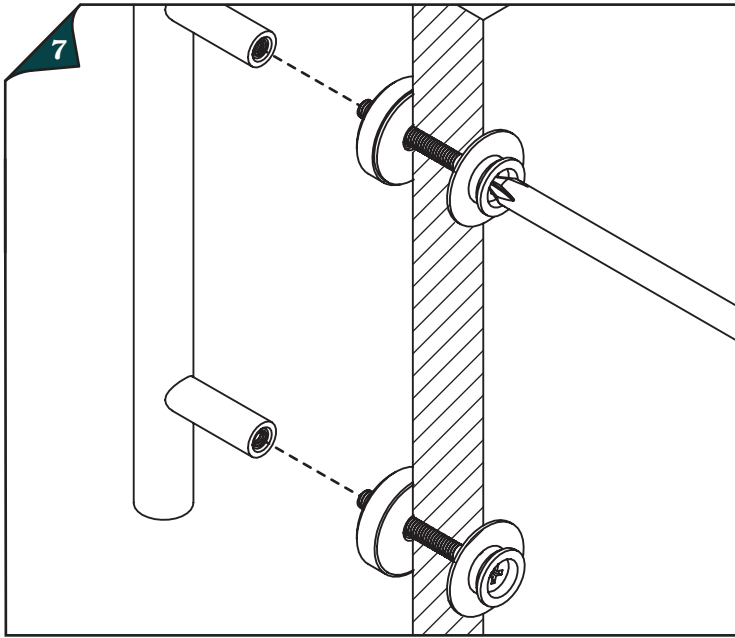
X2 X2 X4 X4

X1

SOLD SEPERATELY

X2 X4





DO NOT CLEAN
WITH ABRASIVE
MATERIALS



DO NOT USE
HARSH
CHEMICALS



CLEAN WITH SOFT
CLOTH & MILD
SOAP ONLY