

# plank

HARDWARE

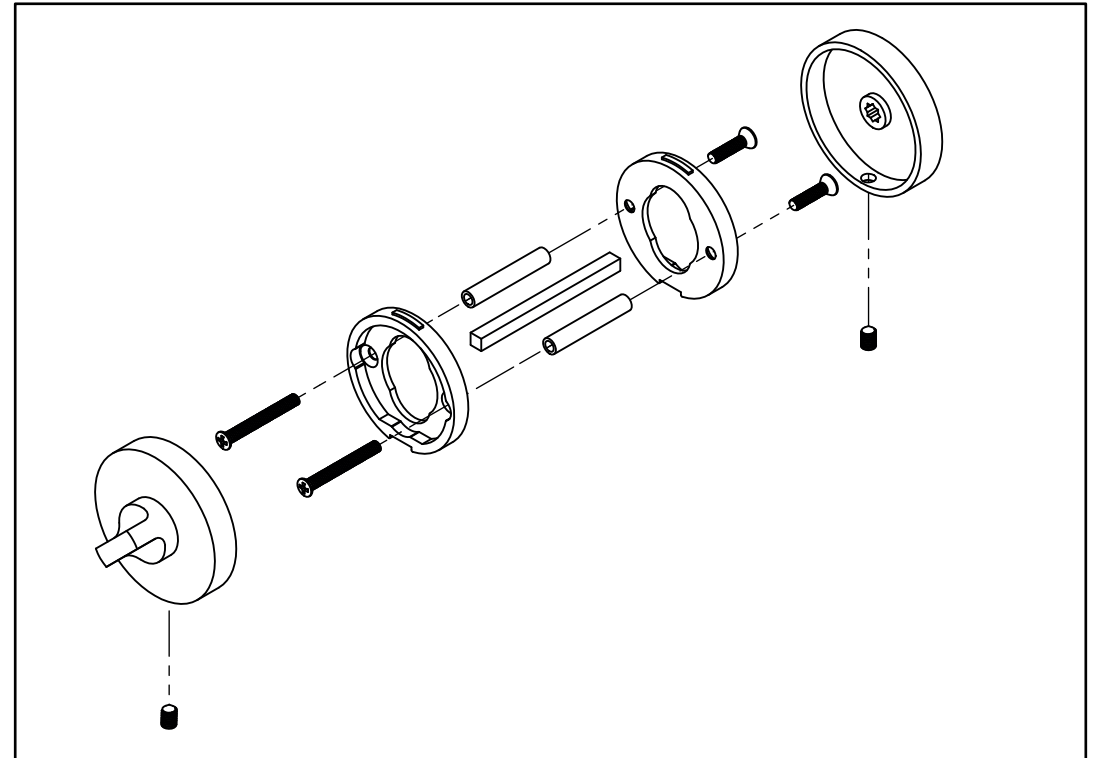
BLYTH – 38MM

## INSTALLATION MANUAL

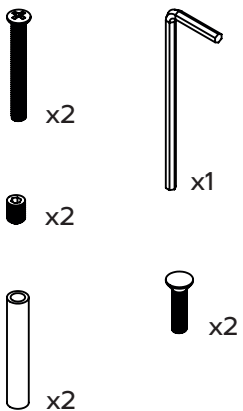
### BEFORE YOU START...

IF YOU ARE IN ANY DOUBT ABOUT THE INSTALLATION OF THIS PRODUCT, **STOP** AND SEEK PROFESSIONAL HELP

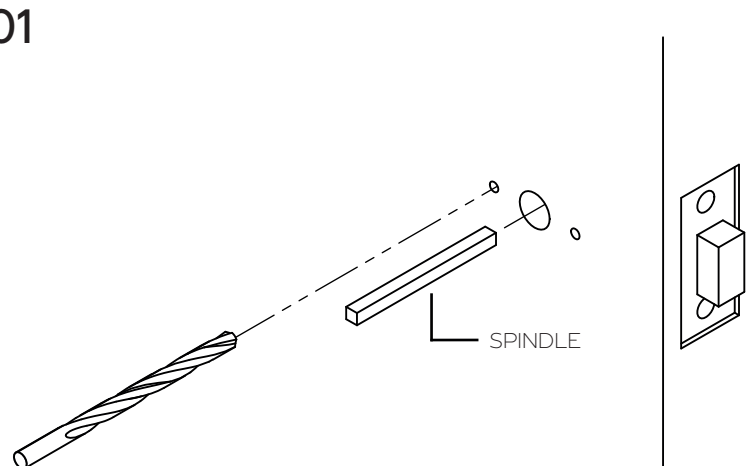
PLEASE NOTE THE DOOR LATCH/BOLT MECHANISM IS NOT INCLUDED – THIS SHOULD BE INSTALLED BEFORE STARTING



### INCLUDED

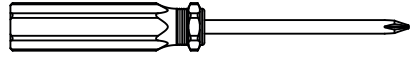


01

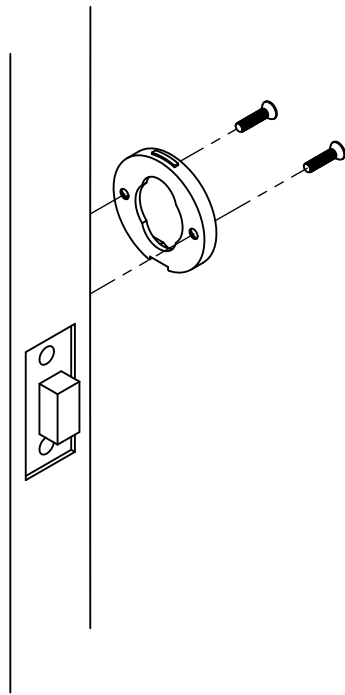
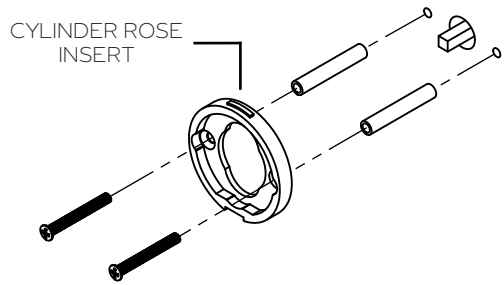


INSERT THE SPINDLE THROUGH THE LATCH/BOLT MECHANISM TO FIND OUT WHERE THE SPINDLE SITS. THIS IS YOUR INSTALLATION CENTRE POINT. MEASURE OUT FROM THIS CENTRE POINT 19MM EACH SIDE & THEN PROCEED TO MARK THE HOLES FOR THE ROSE INSERT

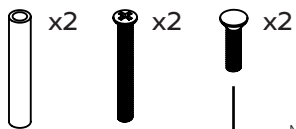
02



CYLINDER ROSE  
INSERT



THREADED ROD

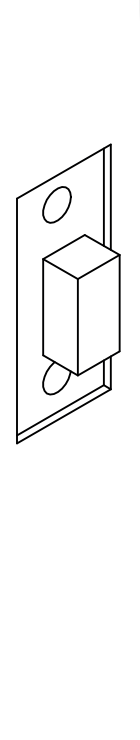
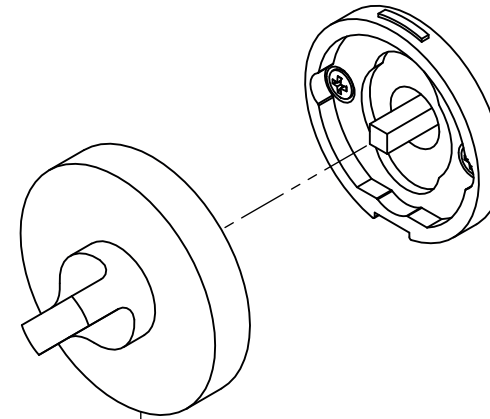


M4 X 14 MACHINE SCREW

M4 X 32 MACHINE SCREW

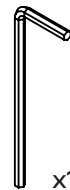
PLACE THE THREADED TUBES INSIDE THE NEWLY DRILLED HOLES.  
THEN SECURELY ATTACH THE CYLINDER ROSE INSERTS TO THE  
DOOR WITH THE MACHINE SCREWS PROVIDED. TIGHTEN THEM AT  
BOTH SIDES UNTIL IT FEELS SECURE

03



M4 GRUB SCREW

x2



SLIDE THE EXTERNAL COVER OVER THE TOP OF THE CYLINDER  
ROSE ON EACH SIDE OF THE DOOR; ENSURING THAT THE SPINDLE  
IS PERTRUDING. TIGHTEN THE GRUB SCREWS ON EACH PLATE  
UNTIL IT IS SECURELY IN PLACE EQUALLY ON EACH SIDE