

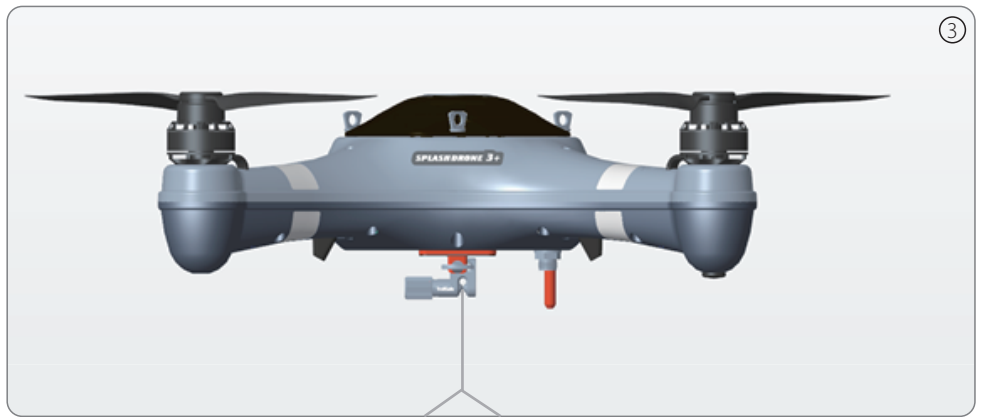
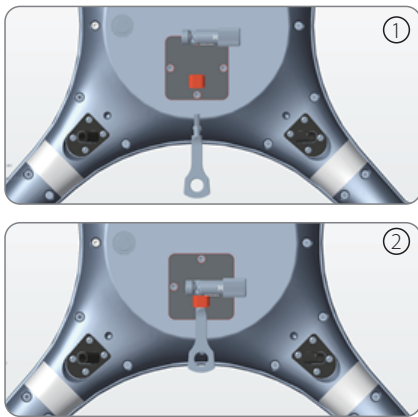
TrollSafe - Safety for your drone when fishing or whenever you fly a load

TrollSafe can be mounted directly onto a Splashdrone or used in conjunction with any of the SwellPro payload release systems. As a safety mechanism, TrollSafe protects your drone in case of a reel jam or if your payload or line gets hit by a bird or a wave. With TrollSafe, you can also safely use your drone for trolling baits or lures in target locations – confident that the line will release if you get a strike.

Note: SwellPro recommends always using a “leader line” when carrying a line with the SplashDrone. A “leader line” allows the main line to be carried 2-3m below the drone. This helps prevent entanglement with the propellers or landing gear. A simple leader consists of a length of fine nylon, braid or wire with a loop on one end for attachment to the drone.

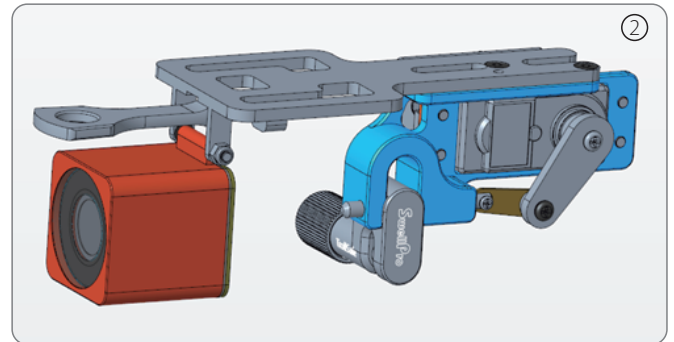
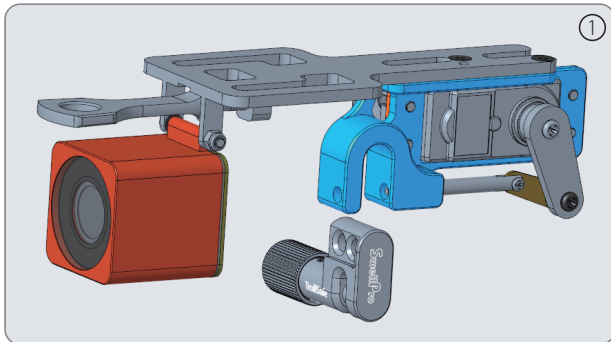
A. Mounting TrollSafe directly to the SplashDrone

To use the TrollSafe without a payload release camera, align the threaded hole of the TrollSafe with the hole of the quick-release pad on the underside of the drone (Figure 1). Insert the quick-release screw through the mounting hole of the pad and tighten it into the TrollSafe.



B. TrollSafe used in conjunction with a PL2, PL3 or PL4 payload release camera.

Open the payload release mechanism. Insert the TrollSafe into the jaws of the release ensuring the holes are aligned. Close the release to retain the TrollSafe.

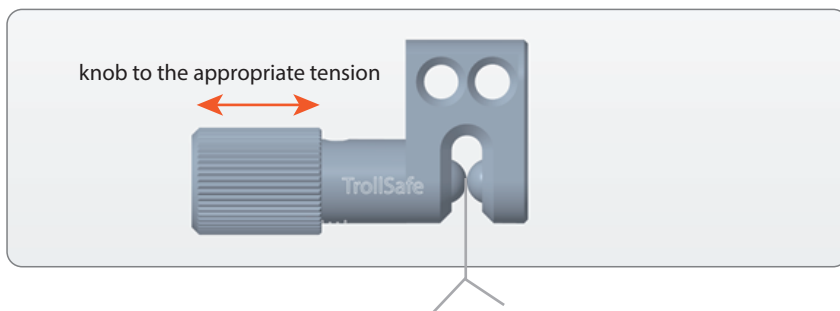


C. Using TrollSafe

Turn the knob anticlockwise to reduce the release tension.

Push the loop of the payload or leader line into the TrollSafe until it is held.

Adjust the knob to the appropriate tension for the load being carried. TrollSafe can be adjusted to release at approximately 500g to 8000g of tension.



⚠ The max load of Splashdrone 3+ is 1.5kg, pay attention not to adjust the tension too much.