

# ***Dronar*** Fish Finder

## User Guide



# SwellPro

Visit [www.swellpro.com](http://www.swellpro.com) for the latest version of this manual and firmware updates for your drone and accessories.

v1.0 – Jan 2022

## Thank You

Thank you for purchasing the Dronar. We have designed and manufactured the Dronar to the highest quality standards.

Like any marine equipment, long-life and trouble-free operation rely on proper care and maintenance. With proper care and maintenance, you should enjoy your drone for many years.

It is essential to familiarize yourself with the features of this unique drone by carefully studying this manual and particularly the priority sections indicated in the Table of Contents.

Visit [www.swellpro.com](http://www.swellpro.com) for the latest manuals, software, and tips. Refer to the Version Information section at the end of this manual, which details additions and corrections to this manual.

## Using this Manual

This document is designed to be printed or viewed on a computer or mobile device. If used electronically, you can search directly for terms like “Charging” to find references. Additionally, you can click on any topic in the Table of Contents to navigate directly to that topic.

## FAQ

The user guide is the best companion while using the product. For the specific problem using the product, the FAQ can be another great resource for you to look at. Go to the SwellPro website, look for support >product support > the product > FAQ to find the FAQ page. <https://www.swellpro.com/news/product-support.html>



## Video Tutorials

Visit and subscribe to the SwellPro YouTube channel for tutorial videos and product information. Scan this QR code with your camera phone to go to our channel.



## Social Media

Join our SwellPro Facebook page to meet other people who share their adventures with SwellPro. [www.facebook.com/SwellPro/](https://www.facebook.com/SwellPro/)



## Register Product Warranty

Please register your product as soon as possible to ensure warranty coverage. <https://www.SwellPro.com/info/register.html>

## Download Dronar App

For Apple devices, download the SDFly app on the AppStore. For Android devices, download the SDFly app on the Google Play Store or scan the QR code to download and install the app.



# Content

Thank You	2
Using this Manual	2
FAQ	2
Video Tutorials	2
Social Media	3
Register Product Warranty	3
Download Dronar App	3
<b>Content</b>	<b>4</b>
<b>Product Overview</b>	<b>6</b>
In the Box	6
Product Diagram	6
LED Status Indicator	7
Charging	7
<b>How to Use</b>	<b>8</b>
Auto ON/OFF	8
Use with SplashDrone 4	8
Attach	8
Connect	9
Use	9
Use Independently	10
Attach	10
Connect	10
Use	10
<b>Dronar App</b>	<b>11</b>
Sonar Screen	11
Settings	12
Sonar	12

Setup	13
Advanced	14
<b>Appendix</b>	<b>15</b>
Specification	15
Version Information	15

# Product Overview

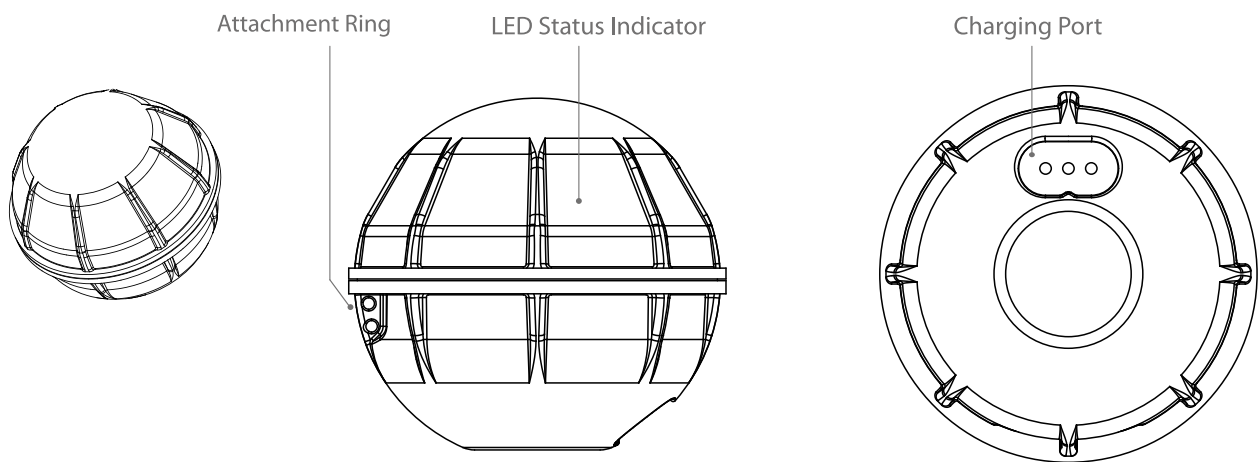
## In the Box

Dronar fish finder x1

Charging cable x1

Attachment wire (with snap swivels on each end) x1

## Product Diagram



## LED Status Indicator

### Connection Status



Solid Green

Connected



Flashing Green

Searching...

### Charging Status



Solid Red

Fully Charged



Flashing Red

Charging...

## Charging

Charge the Dronar with the in-the-box cable. The recommended charging rate is **5V/1A**. When charging, the LED status indicator will flash red. When it's fully charged, it will turn solid red.

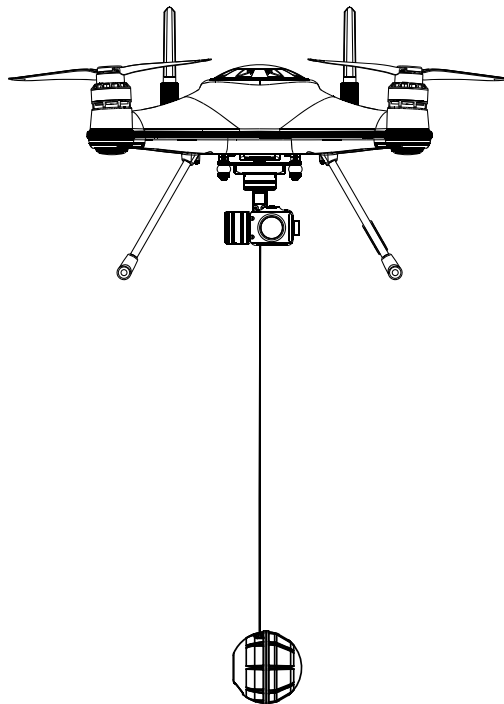
## How to Use

Dronar can be used with the SplashDrone 4 or be used independently. Use with the SplashDrone 4 gives you a great range for fish finding (about 1.5 km of range). It goes hand in hand with drone fishing. For use independently, hook it on the rod and cast it out for fish finding (within 60 m).

### Auto ON/OFF

Dronar adopts an auto ON/OFF design to power on/off the device. There is no physical button on the device. Instead, Dronar is going to turn on automatically when it detects it's on the water. When the Dronar is pulling away from the water, it will automatically turn off in **5 minutes**.

### Use with SplashDrone 4



### Attach

Attach one end of the snap swivel to the Dronar attachment ring, the other end to the Payload Release module on the SplashDrone 4.



## Connect

### 1. Get the last 6 digits of image transmission SN.

- Turn on the SplashDrone 4 & Remote controller, and wait for them to pair.
- Connect your phone with Remote Control's Wi-Fi hotspot "**SWP\_XXXXXX**".
- Open the SDFly app. Go to Settings (the three dots on the upper right corner). Look for Image Transmission SN (also under the three dots icon). Remember the last 6 digits of the SN number, you will be needing it for later use.

### 2. Configure and connect Dronar's Wi-Fi.

- Place your Dronar on the water to turn it on. (Or fly the drone out and land it on the water within 30 m from you)
- Disconnect the connection to "**SWP\_XXXXXX**".
- Connect your phone's Wi-Fi to "**Dronar\_XXXXXX**".
- Open the Dronar app. Tap "Connect" → "Use with Drone" → Enter the last 6 digits of the SN number you got → Tap "Configuration".
- Disconnect the Wi-Fi "**Dronar\_XXXXXX**", and reconnect "**SWP\_XXXXXX**".
- Open the Dronar app, and tap "Enter". Now, you are ready to use.

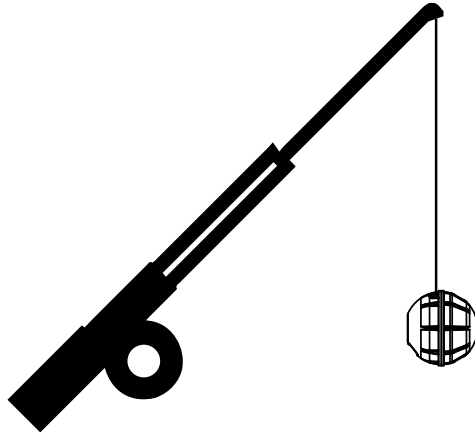
💡 It might sound tedious to connect Dronar with SplashDrone 4. But after you configure and connect Dronar with your SplashDrone 4 for the first time, the following connection between the two will be done automatically. You don't have to reconfigure it every time.

## Use

To use Dronar with the SplashDrone 4, fly the drone out to where you want to perform fish finding. Lower the drone or land the drone on the water to allow Dronar to float on water. Dronar will then send back the underwater fish info to your phone. And you will be able to see the underwater fish info on the Dronar app. For more info on using the app, check the "Dronar App" section on the manual.

💡 When flying out Dronar with the SplashDrone 4, if Dronar is pulling out of water for more than **5 minutes**, Dronar will turn off automatically. If you find that's the case (Dronar App shows disconnected), land the drone on water. Dronar is going to power on and reconnect to the SplashDrone 4 automatically.

## Use Independently



### Attach

Attach one end of snap swivel to the Dronar attachment ring. Tie your fishing line to the other snap swivel.

### Connect

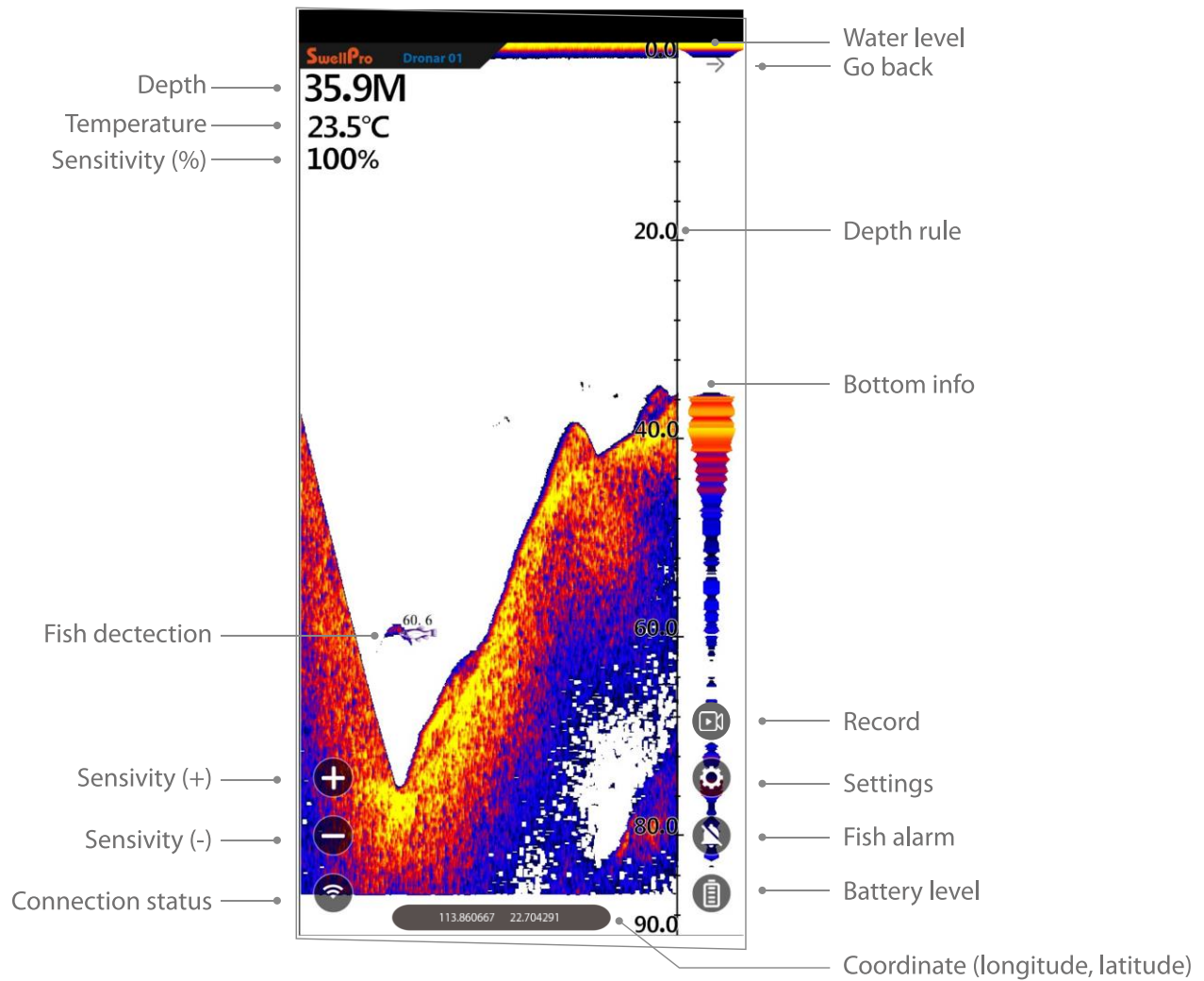
1. Place your Dronar on the water to turn it on.
2. Connect your phone with Wi-Fi “Dronar\_xxxxxx”.
3. Open Dronar app, tap “Enter”. You are now ready to use.

### Use

To use the Dronar, toss it out on the water. The Dronar app will show the underwater fish info. For more info on using the app, check the “Dronar App” section on the manual.

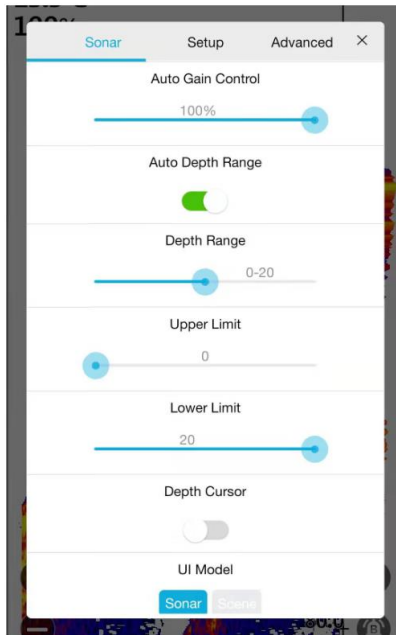
# Dronar App

## Sonar Screen

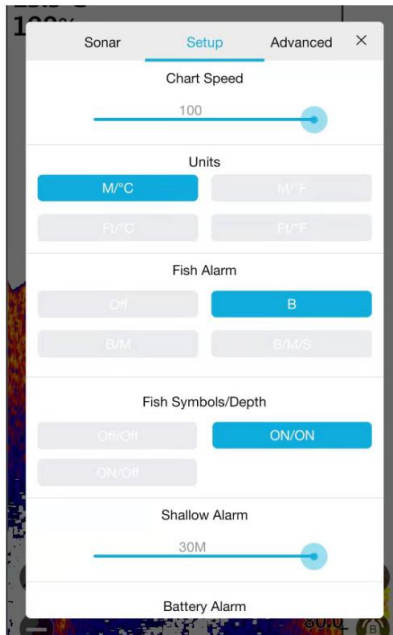


\*Coordinate info only shows when connected to the SplashDrone 4.

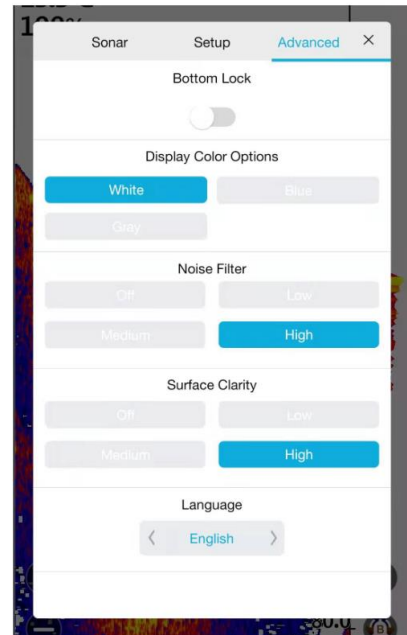
# Settings



Sonar



Setup



Advanced

## Sonar

### Auto Gain Control

Adjust the sensitivity level of the sonar transducer. The higher the sensitivity level, the more underwater info you can observe on the sonar screen. Set the sensitivity level higher makes the screen more cluttered, but it increases the possibility of finding more fish. Therefore, it's recommended to set the Auto Gain Control to 70% or higher.

### Auto Depth Range

Auto Depth Range will automatically adjust the screen to the depth of the water so that the ground will always appear at the bottom.

### Depth Range

Manually set the sonar detecting depth range.

### Upper Limit

Manually set the upper limit of sonar detecting depth.

### Lower Limit

Manually set the lower limit of sonar detecting depth.

### **Depth Cursor**

Show an adjustable cursor on the screen with the depth displayed by the cursor.

### **UI Mode**

Switch display between sonar mode and scene mode. Scene mode gives you a more realistic and fun view, but it doesn't show the details of sonar detection as in the sonar mode.

## **Setup**

### **Chart Speed**

Adjust the sonar refresh rate. A higher refresh rate restores more realistic outlines of the underwater bodies. It's recommended to set the Chart Speed to 100%.

### **Units**

Set the units of depth and temperature. There are four combinations for your personal preference: Meter/Celsius, Meter/Fahrenheit, Feet/Celsius, Feet/Fahrenheit.

### **Fish Alarm**

Fish alarm can notify you if fish is being detected underwater. It can be set to 4 different settings:

Off - turn off the fish alarm

B – notify for big sized fish

B/M – notify for big & medium-sized fish

B/M/S – notify for big & medium & small-sized fish

### **Fish Symbols/Depth**

Fish Symbols/Depth is a visual aid to transform the echo signature of the fish to a fish symbol with depth info to help you better visualize the underwater fish.

Off/Off – turn off both Fish Symbols & Depth

ON/ON – turn on both Fish Symbols & Depth

ON/Off – turn on Fish Symbols, but no Depth info

### **Shallow Alarm**

Shallow alarm will notify you if the water depth is lower than the set limit. The range can be set from 1m to 30m. It's helpful for boat fishing to prevent the boat from stranding.

### **Battery Alarm**

Battery alarm notifies when the Dronar's battery level is low.

## **Advanced**

### **Bottom Lock**

Lock the half of the screen to always show the ground level underwater. It's useful for detecting objects near or on the underwater ground.

### **Display Color Options**

Change the screen color palette to your preference.

### **Noise Filter**

Noise filter filters the irrelevant echo signal detected underwater caused by sands or other particles in the water. Turn on or adjust the noise filter level when the screen becomes noisy.

### **Surface Clarity**

Same as the noise filter, surface clarity filters the echo signal on the water's surface, caused by either the surface clutter with vegetation like water plants, or the depth of water is shallow, which makes the detection of water surface very noisy.

### **Language**

Dronar App supports 23 different languages for your needs.

# Appendix

## Specification

Dronar Fish Finder	
Ingress Rating	IP68
Frequency	125 kHz
Detection Angle	30°
Depth Range	0.6 – 40 m
Depth Precision	0.1 m
Sensitivity	100 Levels
Wireless Connection	2.4G/5.8G Wi-Fi
Battery Life	3 – 5 hours
Charging	3 hours (5V/1A)
Operating Temperature	-20°C~70°C / -4°F ~ 158°F
Operating Range	5 Km (Use with SplashDrone 4) 60 m (Use individually)

## Version Information

SwellPro products are constantly improving, so are the product user guides. It is recommended to visit [www.swellpro.com](http://www.swellpro.com) to check and download the latest user guide.

Version

1.0 Dronar User Guide 1.0 Edition