

Hustler® Parts Manual



HUSTLER®
TURF EQUIPMENT

200 South Ridge Road

Hesston, Kansas

67062



NOTICE OF REQUIREMENT OF SPARK ARRESTER MUFFLER

This equipment may create sparks that can start fires around dry vegetation. California Public Resources Code Section 4442.6 provides that it is unlawful to use or operate an internal combustion engine on any forest-covered, brush-covered, or grass-covered land unless the engine is equipped with a spark arrester maintained in effective working order. A spark arrester is a device constructed of nonflammable materials specifically for the purpose of removing and retaining carbon and other flammable particles over 0.0232 of an inch in size from the exhaust flow of an internal combustion engine that uses hydrocarbon fuels or which is qualified and rated by the United States Forest Service. Other states or federal areas may have similar laws. The Operator Should Contact Local Fire Agencies For Laws or Regulations Relating to Fire Prevention Requirements. **THIS EQUIPMENT DOES NOT HAVE A SPARK ARRESTER AND YOU SHOULD CONTACT YOUR AUTHORIZED DEALER FOR THE PURCHASE OF A SPARK ARRESTER.**

Inspect spark arrester daily; replace every 500 hours or as needed.

The Engine Owner's Manual provides information regarding the U.S. Environmental Protection Agency (EPA) and the California Emission Control Regulation of emission systems, maintenance and warranty.

Keep Engine Owner's Manual with your unit. Should the Engine Owner's Manual become damaged or illegible, replace immediately. Replacements may be ordered per the information found in the Product Information section of the owner's manual.

Federal law and California State law prohibit the following acts or the causing thereof:

1. The removal or rendering inoperative by any person other than for purposes of maintenance, repair, replacement, of any device or element of design incorporated into any equipment for the purposes of emissions control prior to or after its sales or delivery to the ultimate purchaser or while it is in use, or
2. The use of the equipment after such device or element of design has been removed or rendered inoperative by any person.

General Information	1
Frame, Footrest, Engine Cover & Air Cleaner Support	
Frame	3-1
Footrest	3-2
Engine Cover (Multi-Page)	3-3
Radiator & Air Cleaner Support	3-4
Hydraulics, Steering & Brake	
Hydraulic System (Multi-Page)	4-1
Pump Breakdown	4-2
Hydraulic Filter and Reservoir Assembly Breakdown	4-3
Manifold Assembly Breakdown	4-4
Wheel Motor Breakdown	4-5
Steering	4-6
Steering Cover Assembly (Multi-Page)	4-7
RS Steering Box Assembly Breakdown	4-8
LS Steering Box Assembly Breakdown	4-9
Brake	4-10
Wheels & Tires	
Wheels & Tires	5-1
Front Wheel Assembly	5-2
Drive Wheel Assembly	5-3
Engine, Muffler, Fuel System, Air Cleaner, Belt Drive & Clutch	
Engine, Muffler & Battery (Multi-Page)	6-1
Fuel System	6-2
Fuel Tank Service Parts - 603778	6-3
Air Cleaner	6-4
Cooling System	6-5
Belt Drive & Clutch	6-6
Instrument Panel, Wire Harness & Battery	
Instrument Panel & Wire Harness	7-1
Battery	7-2
Deck, Deck Belt, Blades & Deck Lift	
Service Deck	8-1
Deck Pulleys & Spindles (Multi-Page)	8-2
Spindle Assembly Service Parts - 607407 & 607408	8-3
Deck Belt, Discharge Chute, Pulley Covers & Blades (Multi-Page)	8-4
Deck Shield	8-5
Deck Lift & Mounting Hardware (Multi-Page)	8-6
Seat, ROPS & Firewall	
Seat	9-1
Seat Service Parts - 607706	9-2
ROPS & Firewall	9-3

General Information

Note: When ordering parts, you must use the part number as shown for each part, not the index number. Always give the model and serial number to your parts and service representative.

Note: Items sold in bulk such as seals and hoses are sold by the foot.

Using This Manual

This manual is part of a service package for the Hustler® mowers. Use of this manual in conjunction with other Hustler® mower and component manuals will provide the information necessary to service and maintain Hustler® mowers.

This Parts Manual provides a complete parts listing for the unit. Use this manual when ordering parts. Illustrations used were current at the time of printing, but subsequent production changes may cause your machine to vary slightly in detail. Excel Industries, Inc. reserves the right to redesign and change the machine as deemed necessary, without notification. If a change has been made to your machine which is not reflected in this parts manual, see your authorized dealer for current information and parts.

The Service Manual is a service guide for use by Service Technicians. It provides the necessary information needed to perform normal maintenance requirements on these units.

The Operator's Manual provides fundamental operational information and operational safety that is needed when operating the mower.

The component manuals are furnished by the various manufacturers to be used for the troubleshooting and servicing of their products.

Hardware Description Codes & Abbreviations

The following codes are used throughout this parts manual. Refer to this list when ordering parts.

ABBREVIATION	DESCRIPTION	ABBREVIATION	DESCRIPTION
CB	CARRIAGE BOLT	MB	MACHINE BUSHING
CE	CLEVIS PIN	MS	MACHINE SCREW
CN	CLIP NUT	NT	NUT
CP	COTTER PIN	SC	SELF TAPPING CAP SCREW
CS	CAP SCREW	SH	SOCKET HEAD
CW	CUP WASHER	SB	SHOULDER BOLT
FDRW	FENDER WASHER	SS	SET SCREW
FW	FLAT WASHER	OD	OUTSIDE DIAMETER
HX	HEX HEAD	ID	INSIDE DIAMETER
LW	LOCK WASHER	WN	WELD NUT

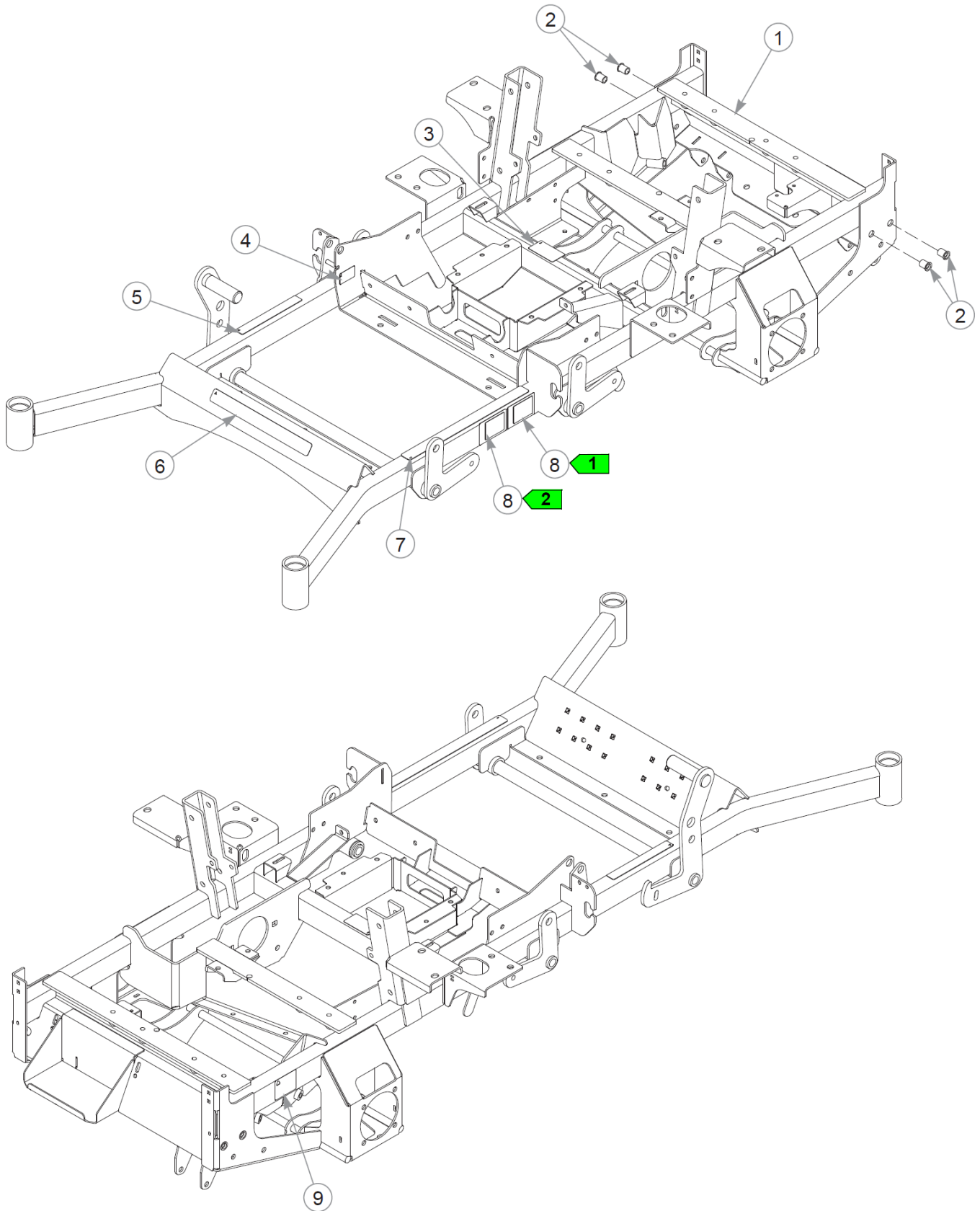
Standard Torques

The following chart lists the standard torque values for the threaded fasteners found in this manual. Torque all cap screws, nuts and set screws to these values unless a different torque is shown in the Notes section next to the fastener.

SIZE	FT-LBS	N•M	SIZE	FT-LBS	N•M
.250	8.2	11.1	M3	1	1.3
.312	17	23	M4	2.2	3
.375	30	40	M5	4.5	6.1
.438	48	65	M6	7.7	10.4
.500	73	99	M8	18.5	25
.562	105	143	M10	37	50
.625	145	200	M12	64	87
.750	260	350	M14	80	108.5
.875	420	565	M16	160	215
1.00	625	850	M20	320	435
			M24	555	750

This page intentionally left blank

Frame

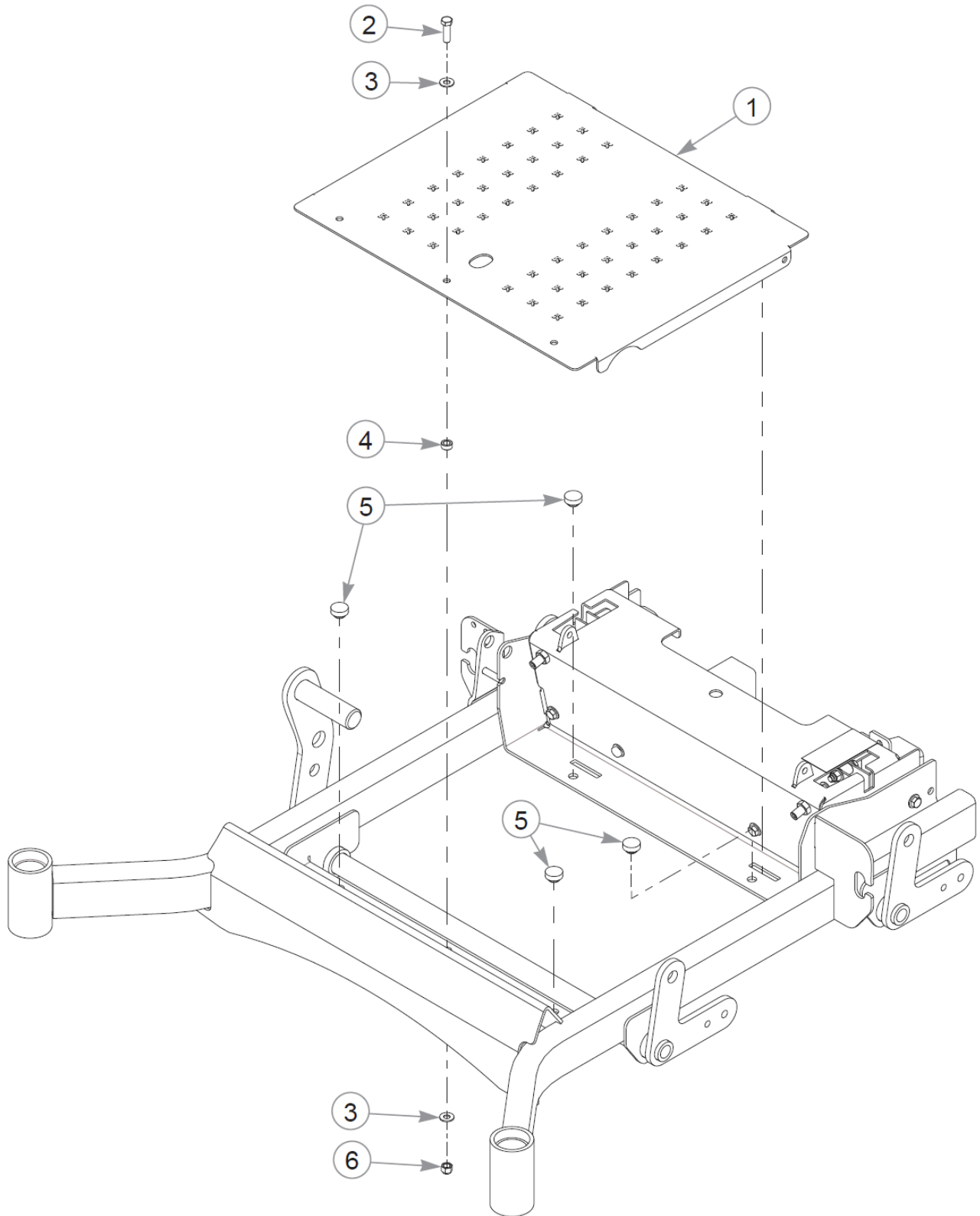


Frame

Item	Part No.	Qty	Name
1	551156	1	SERVICE FRAME, 72 HDZ RD
2	600961	4	RIVET NUT, 1/2-13 THREAD
3	601968	1	DECAL, HYDRAULIC PRESS
4	603363	1	DECAL, ANSI COMPLIANCE
5	781427	1	DECAL, DECK HEIGHT INDI
6	602407	1	DECAL, HUSTLER ID
7	601993	1	DECAL, SAFE OPERATION
8	N/A	2	SERIAL NUMBER / SPEC DECAL
9	601596	1	DECAL, BELT ROUTING

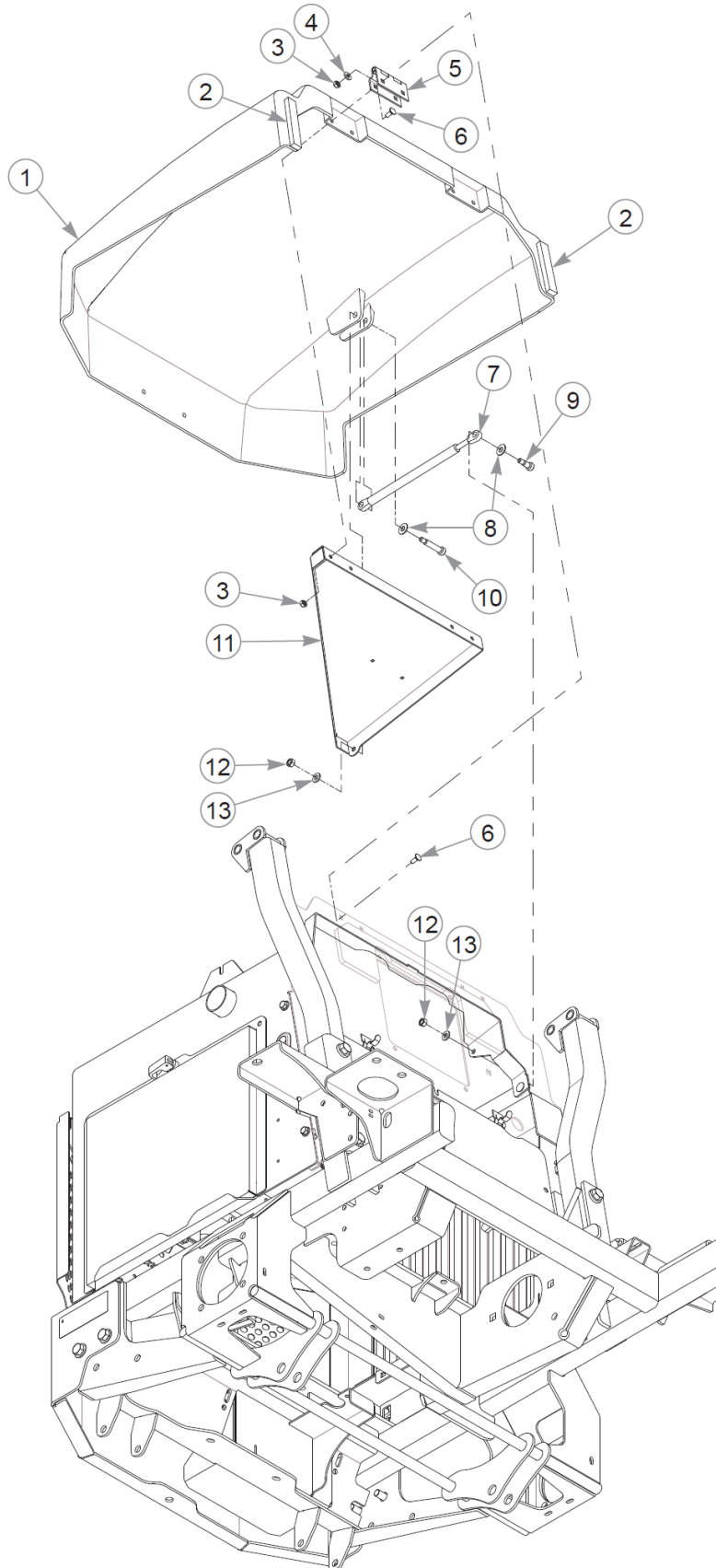
Comments for Page: Frame

1. Serial number decal. In the event the serial number decal becomes damaged or illegible, please contact your dealer to order a replacement.
2. Patent numbers decal.
3. The frame includes the decals and rivet nuts.

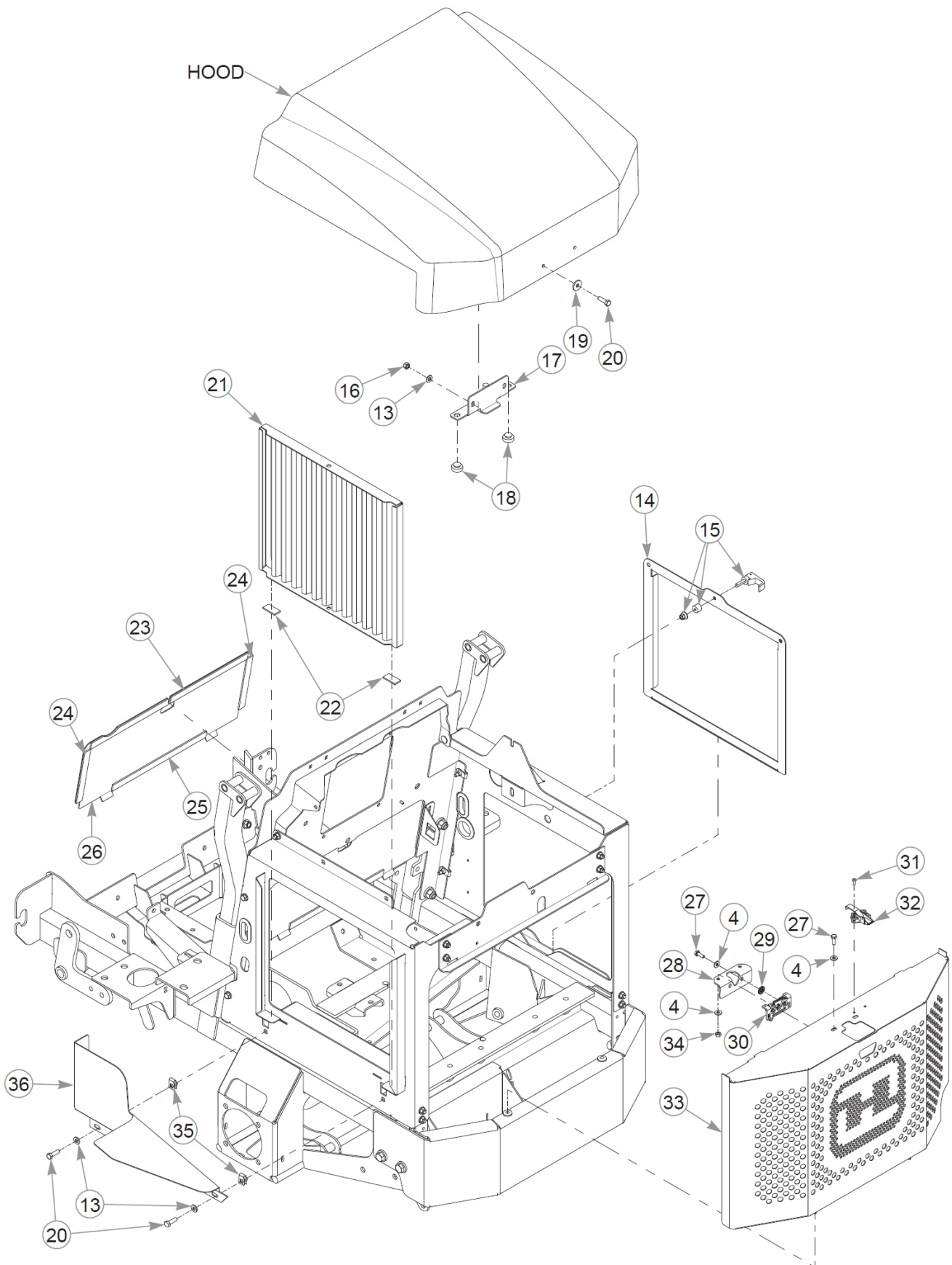


Footrest

Item	Part No.	Qty	Name
1	551139	1	FLOORPAN, SERVICE
2	052860	1	CS .375-16X1.25 HX G5 ZN
3	767954	2	FW 0.379X.82X.06 HD ZN
4	118900	1	SPACER, DECK LIFT LINK
5	781880	4	BUMPER, .500x 1.00x .31
6	086660	1	NT .375-16NLG8

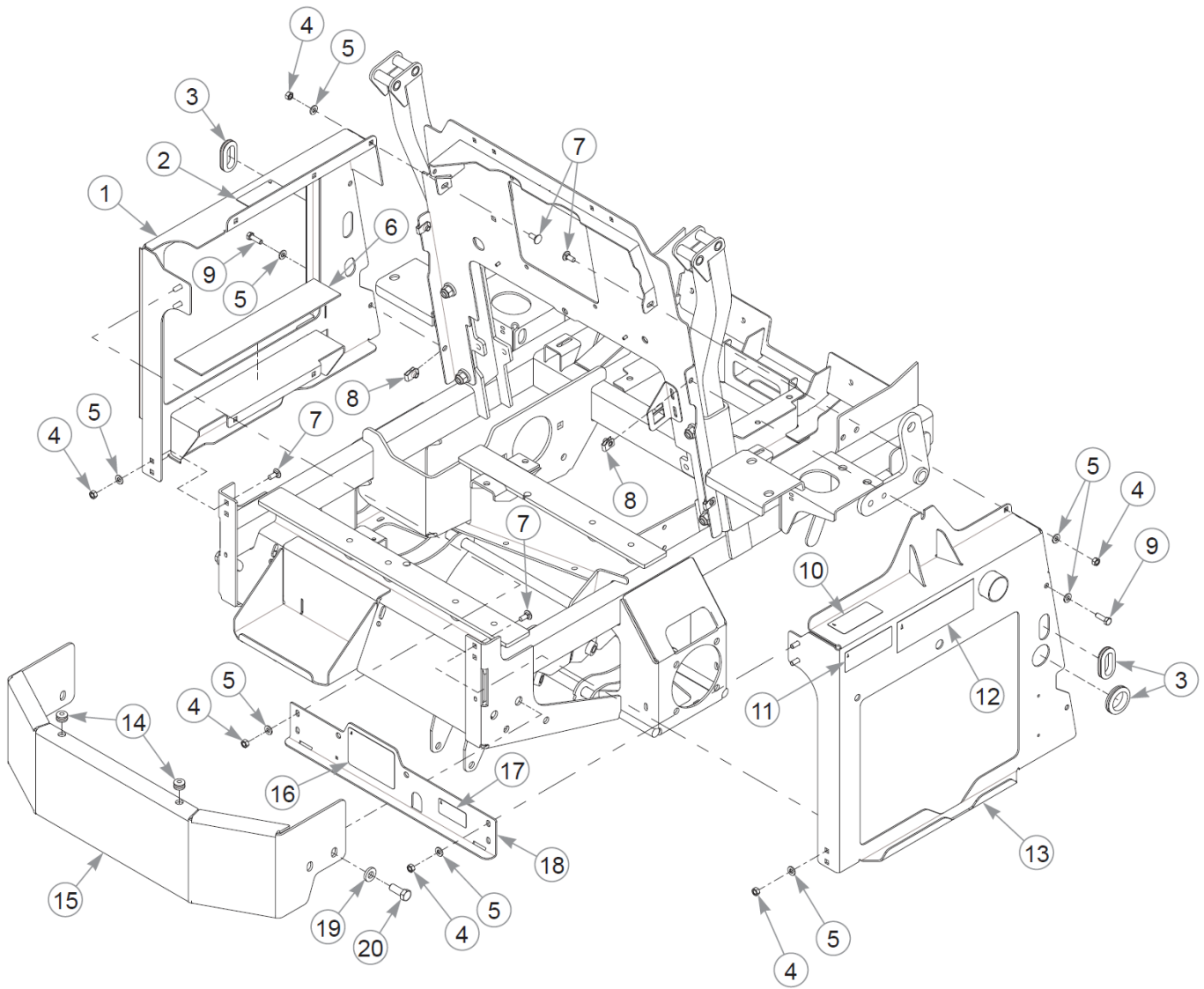


This page intentionally left blank



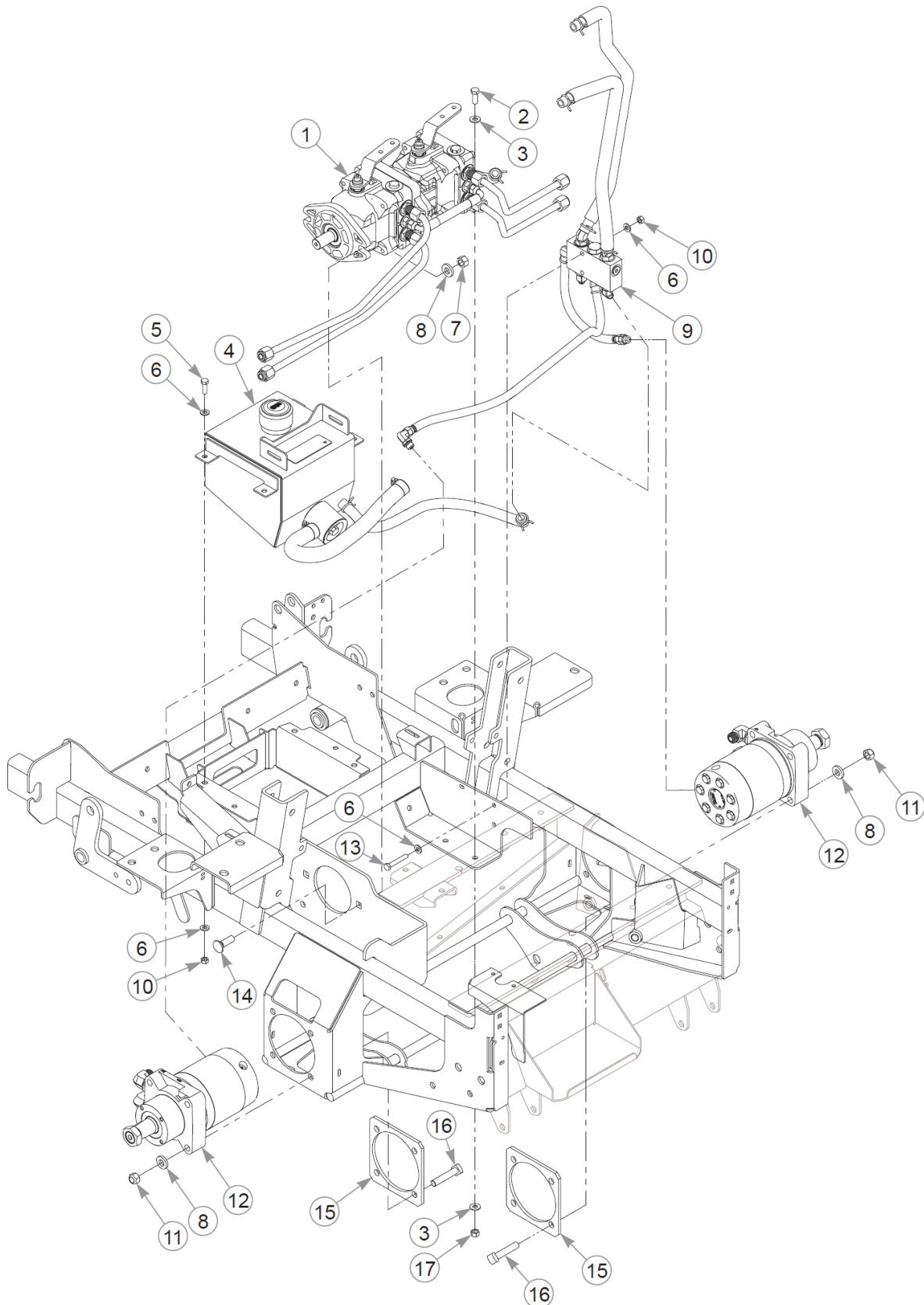
Engine Cover (Multi-Page)

Item	Part No.	Qty	Name
1	601363	1	HOOD, HDZ
2	713198	2	SEAL 3/8x3/4 SOLD BY FT
3	068551	8	NT .250-20 HXZY NL
4	768515	10	FW 0.281SAE
5	601364	2	HINGE, 3"X3" ZN W/ HOLES
6	601503	8	CB .250-20 X .625 ZN
7	601564	1	GAS SPRING, HDZ HOOD
8	767954	2	FW 0.379X.82X.06 HD ZN
9	063297	1	SB0.375X0.500SH0.312-18
10	601379	1	SB .375 X 1.50SH .312-18
11	109745	1	LIFT SUPPORT W/A
12	034272	2	NT .312-18HXG5
13	768523	6	FW 0.343SAE
14	109341	1	SCREEN, RS W/A HDZ
15	791384	1	LATCH, HEAVY DUTY SWELL
16	058776	2	NT .312-18NLG5
17	109722	1	LATCH STRIKER W/A
18	781880	2	BUMPER, .500x 1.00x .31
19	712927	2	FW 0.344X1.00X.12 HD ZN
20	036236	4	CS .312-18X1.000HXG5
21	109137	1	RADIATOR SCREEN W/A HDZ
22	033035	2	WEATHERSTRIP .12X.75
23	033035	1	WEATHERSTRIP .12X.75
24	033035	2	WEATHERSTRIP .12X.75
25	033035	1	WEATHERSTRIP .12X.75
26	109136	1	PANEL, FIREWALL ACCESS
27	055939	4	CS .250-20X0.75 HX G5 ZN
28	124364-1	1	LATCH BRACKET
29	029868	2	LW .250 INTEXT ZN
30	601373	1	LATCH, SLAM SOUTHCO
31	601089	2	RIVET .188 DIA BLK HD
32	758821	1	OVER CNTR CATCH W/LCK H
33	109413	1	COVER, REAR W/A HDZ
34	024927	2	NT .250-20HXG5
35	601069	2	CN .312-18x.200 MAX THK
36	109559	1	FENDER, INNER PANEL

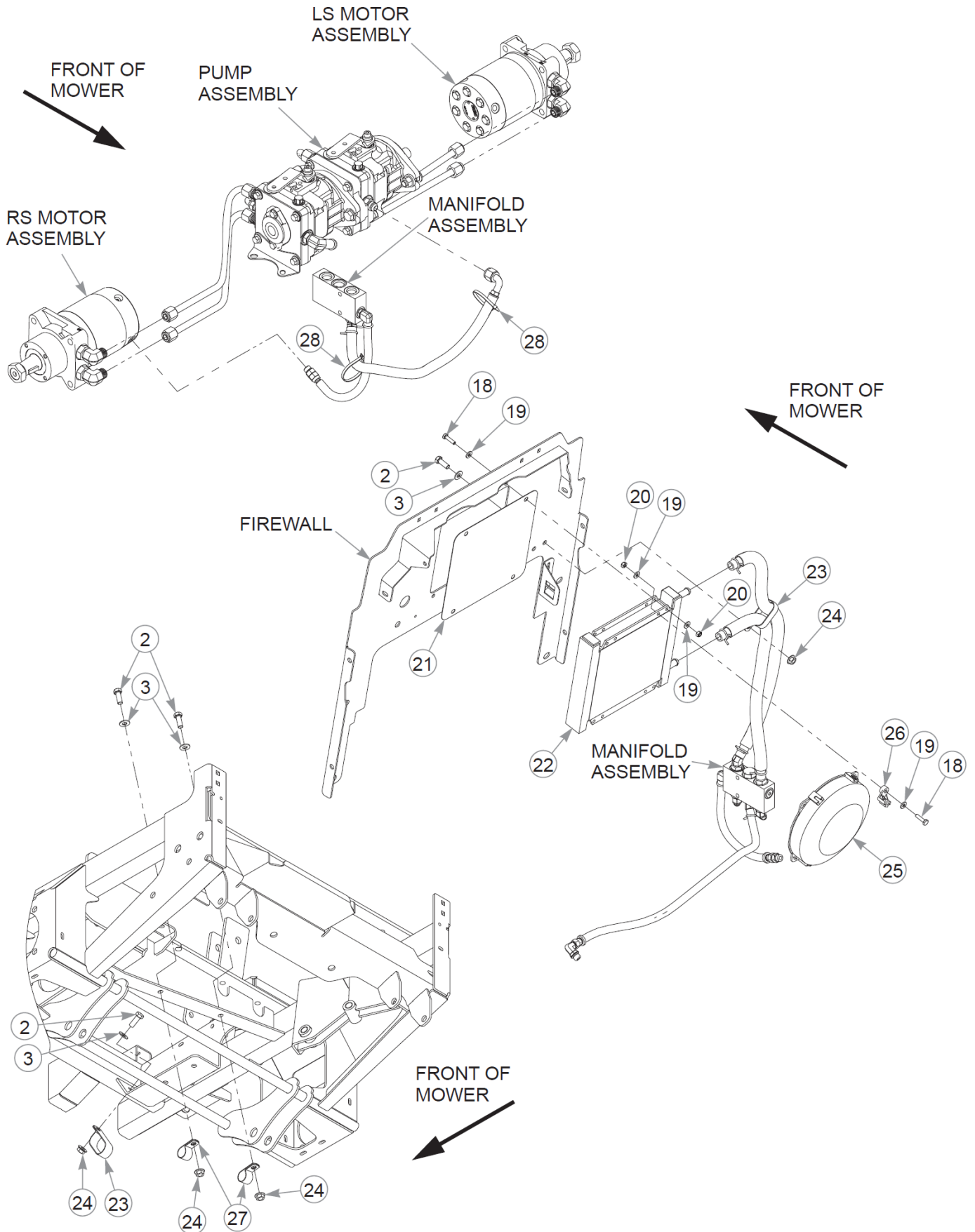


Radiator & Air Cleaner Support

Item	Part No.	Qty	Name
1	551141	1	RADIATOR SUPPORT,
2	763805CE	1	FAN WARNING DECAL
3	794644	3	GM 1.50 X 2.12 X 1.75
4	034272	10	NT .312-18HXG5
5	768523	14	FW 0.343SAE
6	601558	1	RADIATOR SUPPORT PAD
7	016253	6	CB .312-18X .750 FUL ZN
8	601069	4	CN .312-18x.200 MAX THK
9	036236	4	CS .312-18X1.000HXG5
10	601967	1	DECAL, ENGINE COMPART
11	601908	1	DECAL, SPARK ARRESTOR
12	607133	1	DECAL, 50 SATE DIESEL
13	551142	1	AIR CLEANER MOUNT,
14	031666	2	GM .31X.81X.56X.18
15	109105	1	GUARD, REAR ENGINE W/A
16	601815	1	DECAL, BATTERY WARNINGS
17	602041	1	DECAL, HOT
18	551143	1	OVERFLOW BOTTLE MOUNT
19	767962	4	FW .531 x 1.063 x .175
20	705954	4	CS .500-13X1.25 HX G5 ZN

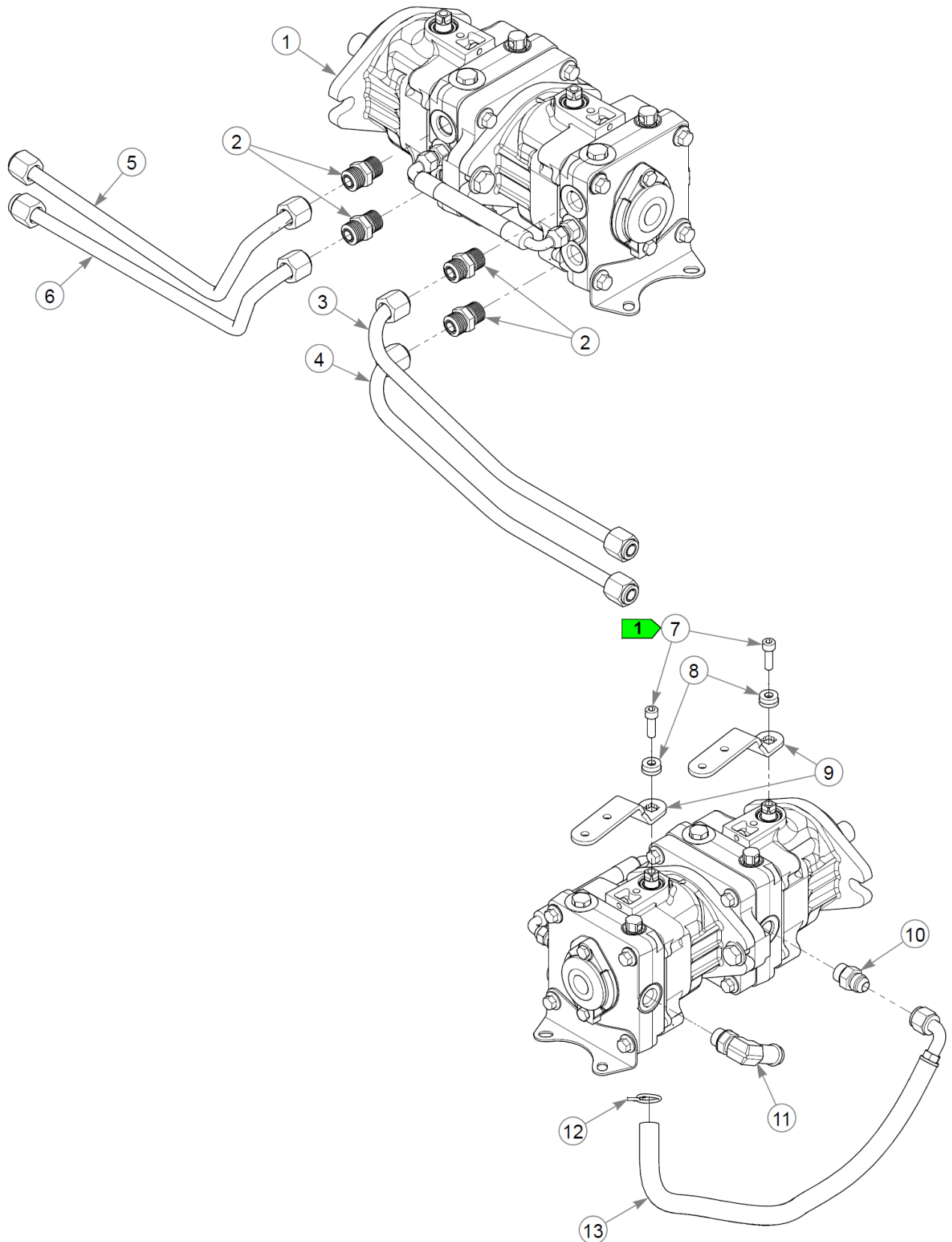


This page intentionally left blank



Item	Part No.	Qty	Name
1	N/A	1	REFER TO "PUMP ASSEMBLY"
2	036244	6	CS .375-16X1.00 HX G5 ZN
3	767954	8	FW 0.379X.82X.06 HD ZN
4	N/A	1	REFER TO "RESERVOIR ASSEMBLY"
5	036236	4	CS .312-18X1.000HXG5
6	768523	12	FW 0.343SAE
7	008193	2	NT .500-13HXG5
8	767962	10	FW .531 x 1.063 x .175
9	N/A	1	REFER TO "MANIFOLD ASSEMBLY"
10	034272	6	NT .312-18HXG5
11	023317	8	NT .500-13UNTG8
12	N/A	2	REFER TO "MOTOR ASSEMBLY"
13	064345	2	CS .312-18X2.000HXG5
14	028274	2	CB .500-13X 1.500 FULL
15	115816	2	GUSSET, INT
16	602256	8	CS .500-13X2.500 SQ G5
17	054502	2	NT .375-16HXG5
18	056077	8	CS .250-20X1.000HXG5
19	768515	16	FW 0.281SAE
20	068551	8	NT .250-20 HXZY NL
21	109401	1	SCREEN, OIL COOLER
22	608007	1	OIL COOLER
23	045088	2	HOSE CLAMP 1" (FS)
24	016899	4	NT .375-16 FLKG5
25	601357	1	FAN, ELECTRIC 8" 12VDC
26	601538	4	FOOT, ELECTRIC FAN
27	043570	2	CLIP - HOSE - SINGLE(FS)
28	000331	2	WIRE TIE, SMALL/SHORT

Pump Breakdown

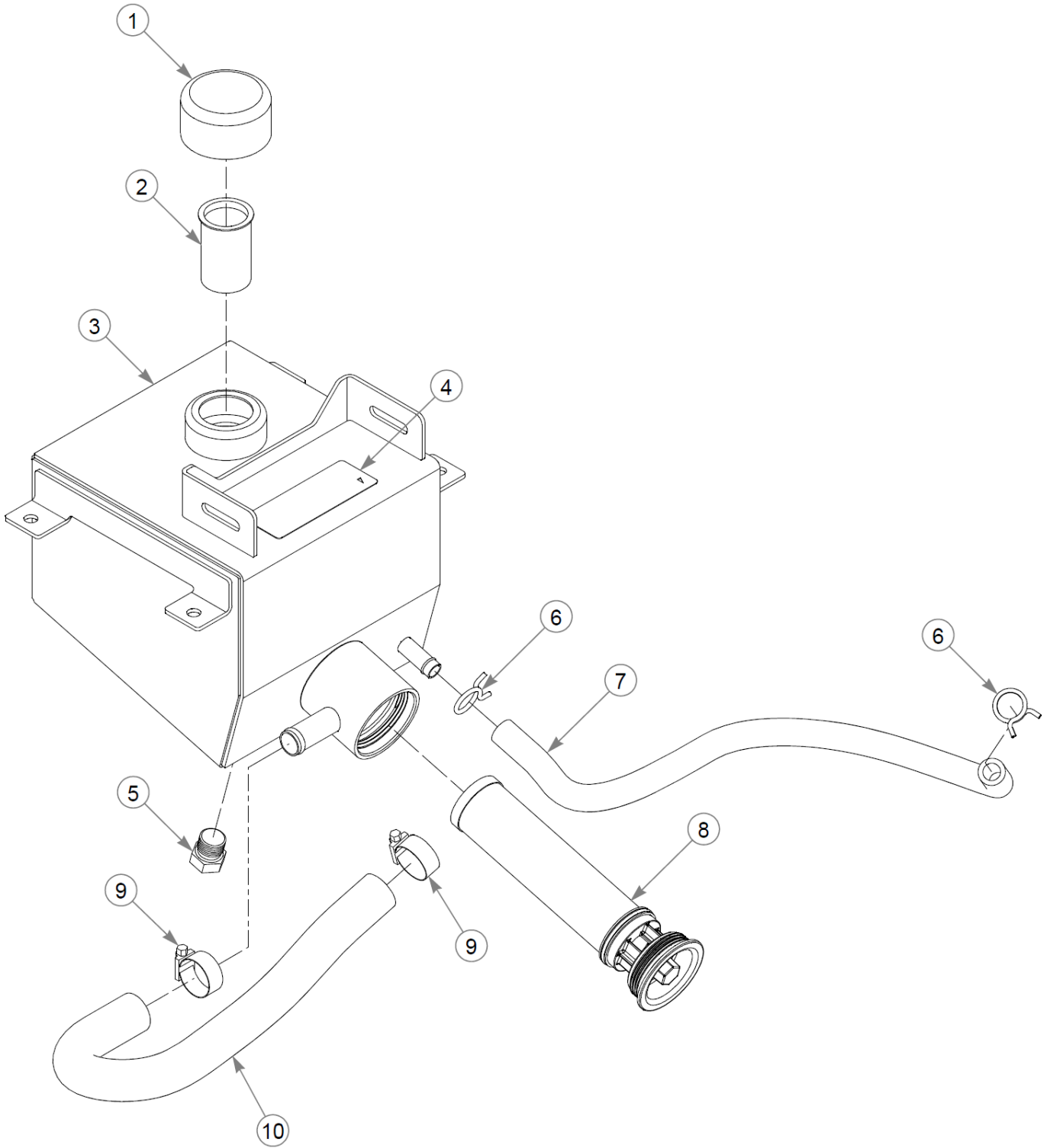


Pump Breakdown

Item	Part No.	Qty	Name
1	603650	1	PUMP, 21CC TANDEM - HH
Not Shown	600934	1	SEAL KIT, HG TANDEM 21
2	781534	4	FTG, STR-8MORB/-8MS
3	603701	1	TUBE, TP-TM RH LOOP
4	603700	1	TUBE, BP-BM RH LOOP
5	603699	1	TUBE, TP-TM, LH LOOP
6	603698	1	TUBE, BP-BM LH LOOP
7	795377	2	CS M8-1.25x25 SH BO ZN
8	795369	2	RETAINER-PUMP ARM - HH
9	109118	2	PUMP ARM, HDZ
10	771337	1	FTG,STR-8MORB/-8MJIC
11	601524	1	FTG, -8MORB/-12 BEAD
12	601001	1	SPRING CLAMP, .75" DIA
13	601520	1	HOSE, CASE DRAIN PUMP
14	796060	1	HOSE,LP PUMP TO PUMP

Comments for Page: Pump Breakdown

1. Torque to 180-200 in-lbs.

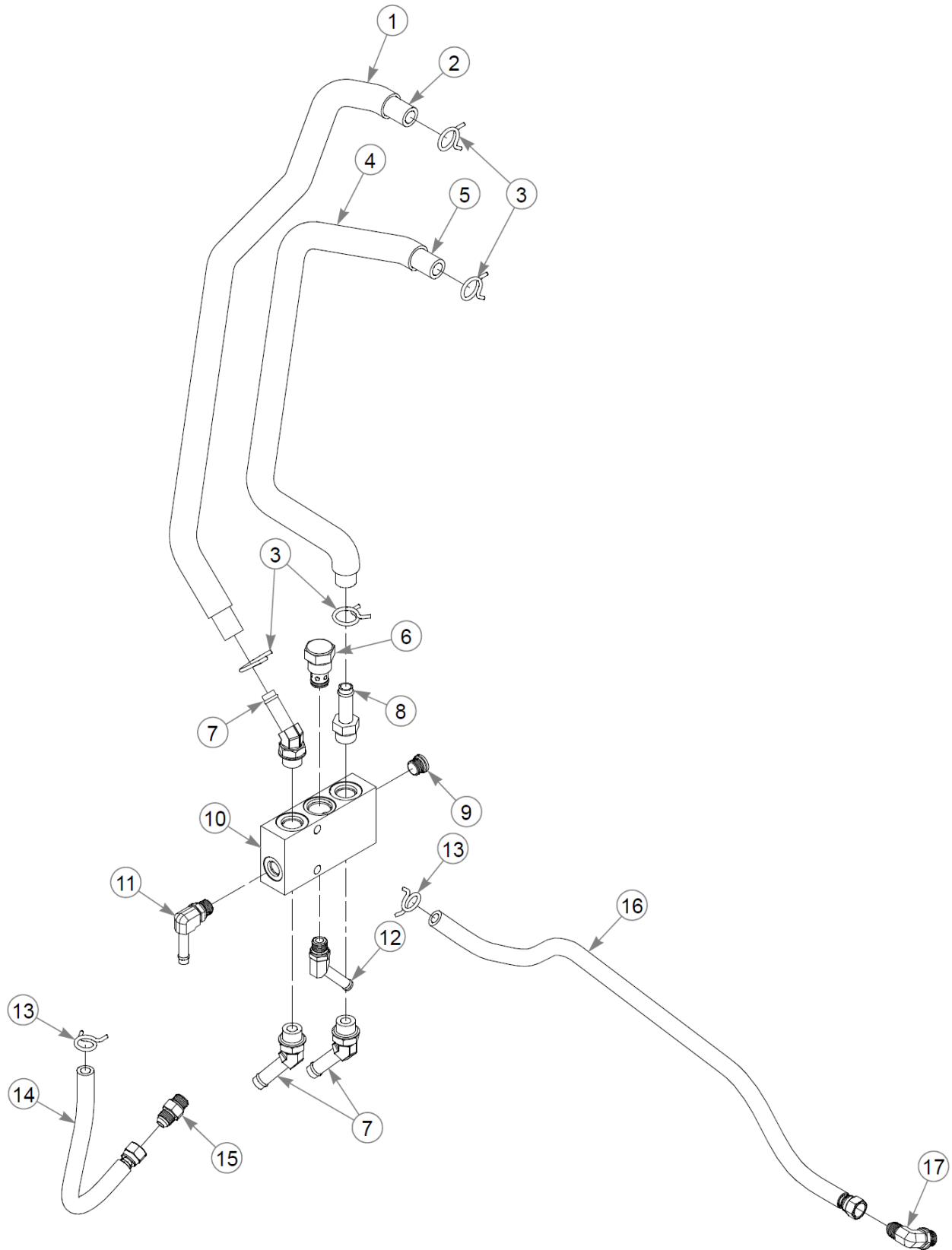


Hydraulic Filter and Reservoir Assembly Breakdown

72" RD Diesel Z Parts Manual - 940486US - HTHDZR072PER403J-11U

Item	Part No.	Qty	Name
1	032763	1	CAP, BREATHER
2	032771	1	STRAINER
3	549345	1	RESERVOIR W/A HDZ
4	779280	1	DECAL, HOT & HYD OIL
5	781658	1	FTG, -8MORB/HEX PLUG
6	601001	2	SPRING CLAMP, .75" DIA
7	601570	1	HOSE, RETURN MANI BLOCK
8	601413X	1	FILTER ELEMENT
9	700484	2	CLAMP, HOSE (FS)
10	601517	1	HOSE, SUCTION HDZ HYDRO

Manifold Assembly Breakdown

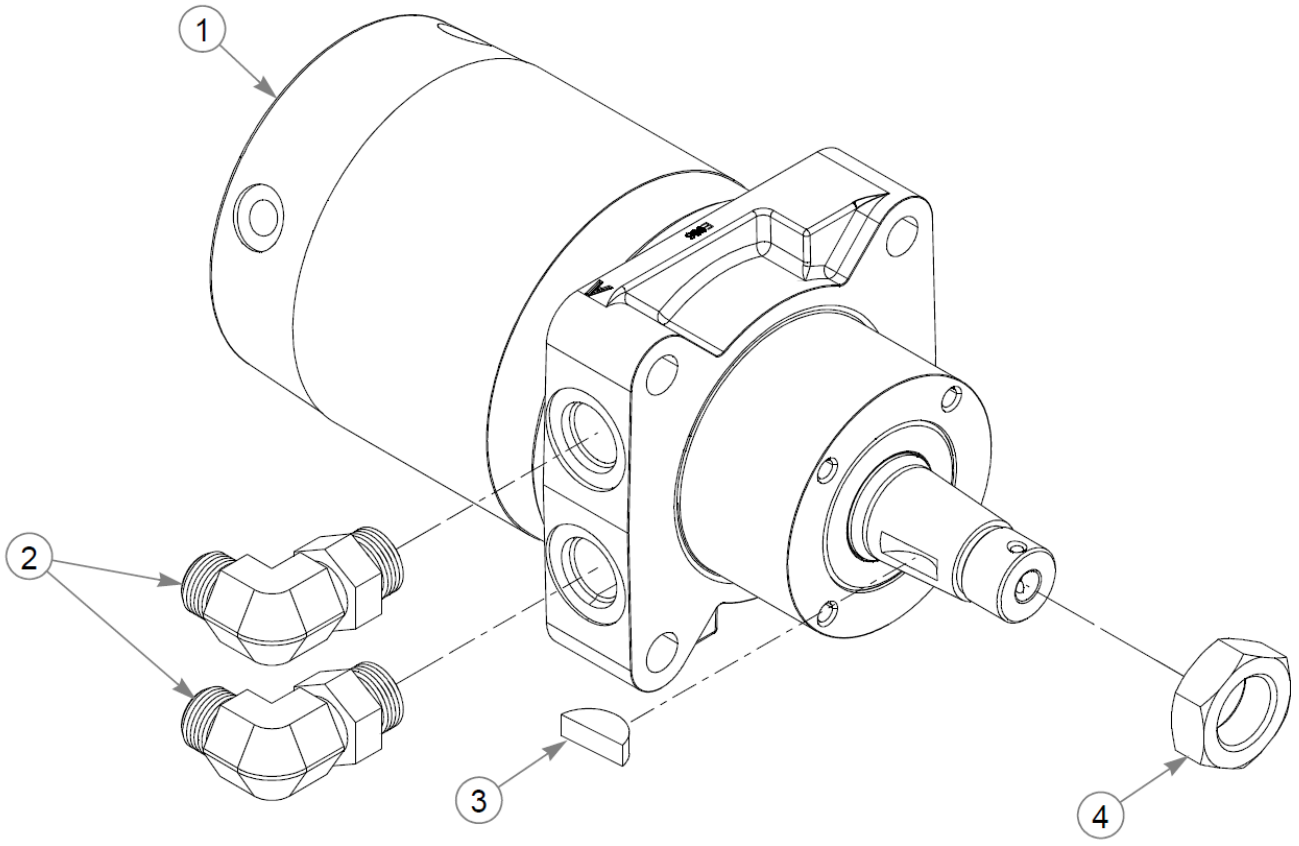


Manifold Assembly Breakdown

72" RD Diesel Z Parts Manual - 940486US - HTHDZR072PER403J-11U

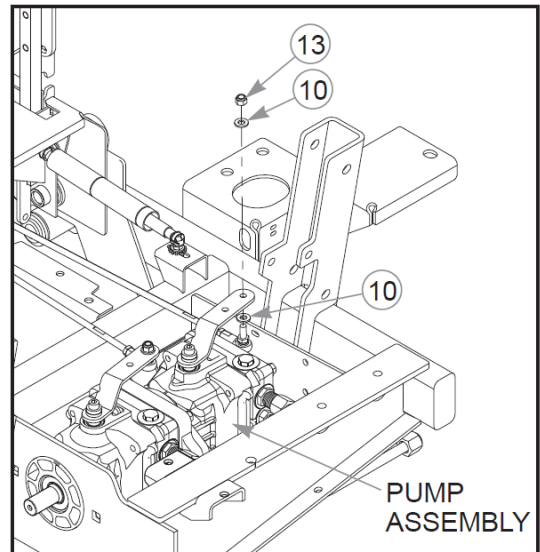
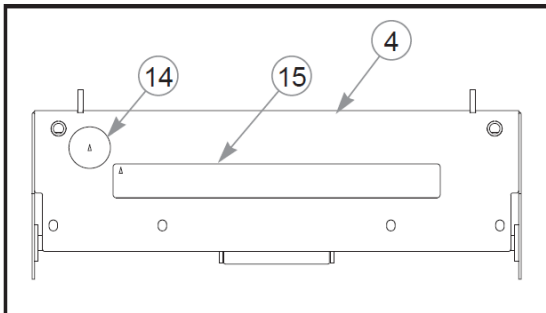
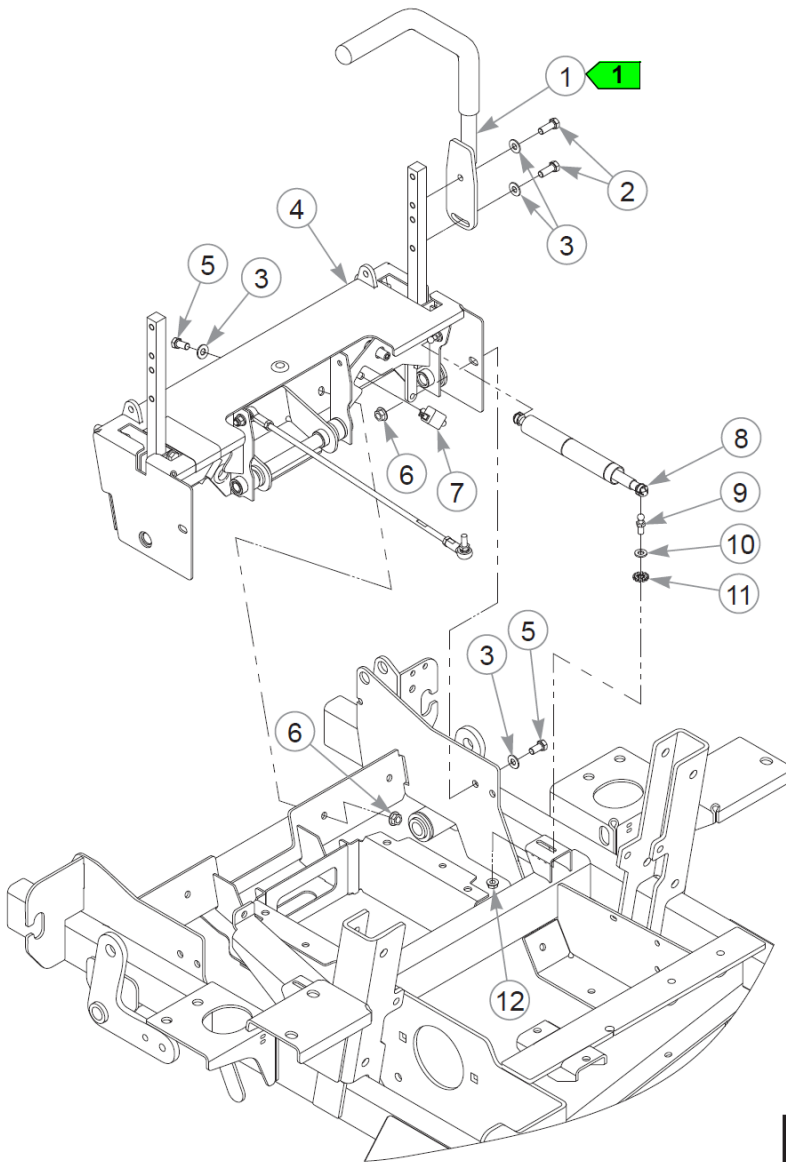
Item	Part No.	Qty	Name
1	601583	1	HOSE GUARD, BLOCK TO
2	601521	1	HOSE, MANIFOLD BLOCK
3	601001	4	SPRING CLAMP, .75" DIA
4	601584	1	HOSE GUARD, COOLER TO
5	601522	1	HOSE, RETURN COOLER
6	601568	1	VALVE, CARTRIDGE CHECK
7	601592	3	FTG, -8MORB/-8BEAD
8	601523	1	FTG, -8MORB/-8BT STR
9	601569	1	FTG, PLUG -8MORB/HEX
10	601476	1	MANIFOLD, CASE DRAIN
11	787465	1	FTG, 90°-6MORB/-6BT
12	784108	1	FTG, 45°-6MORB/-6BT
13	601617	2	SPRING CLAMP, 5/8" DIA.
14	603697	1	HOSE, CASE DRAIN RIGHT
15	779132	1	FTG, -6MORB/-6MJIC STR
16	603722	1	HOSE, CASE DRAIN LEFT
17	795922	1	FTG, 90-6MORB/-6MJI

Wheel Motor Breakdown



Wheel Motor Breakdown

Item	Part No.	Qty	Name
1	603663	1	MOTOR, PARKER TG0335 -HH
Comments for Part Num. 603663			
Wheel Motor includes 065516 ROSS NUT.			
2	781526	2	FTG, 90°-10MORB/-8MORFS
3	064337	1	ROSS WOODRUFF KEY
4	065516	1	ROSS NUT
5	748806	1	ROSS VITON SEAL KIT

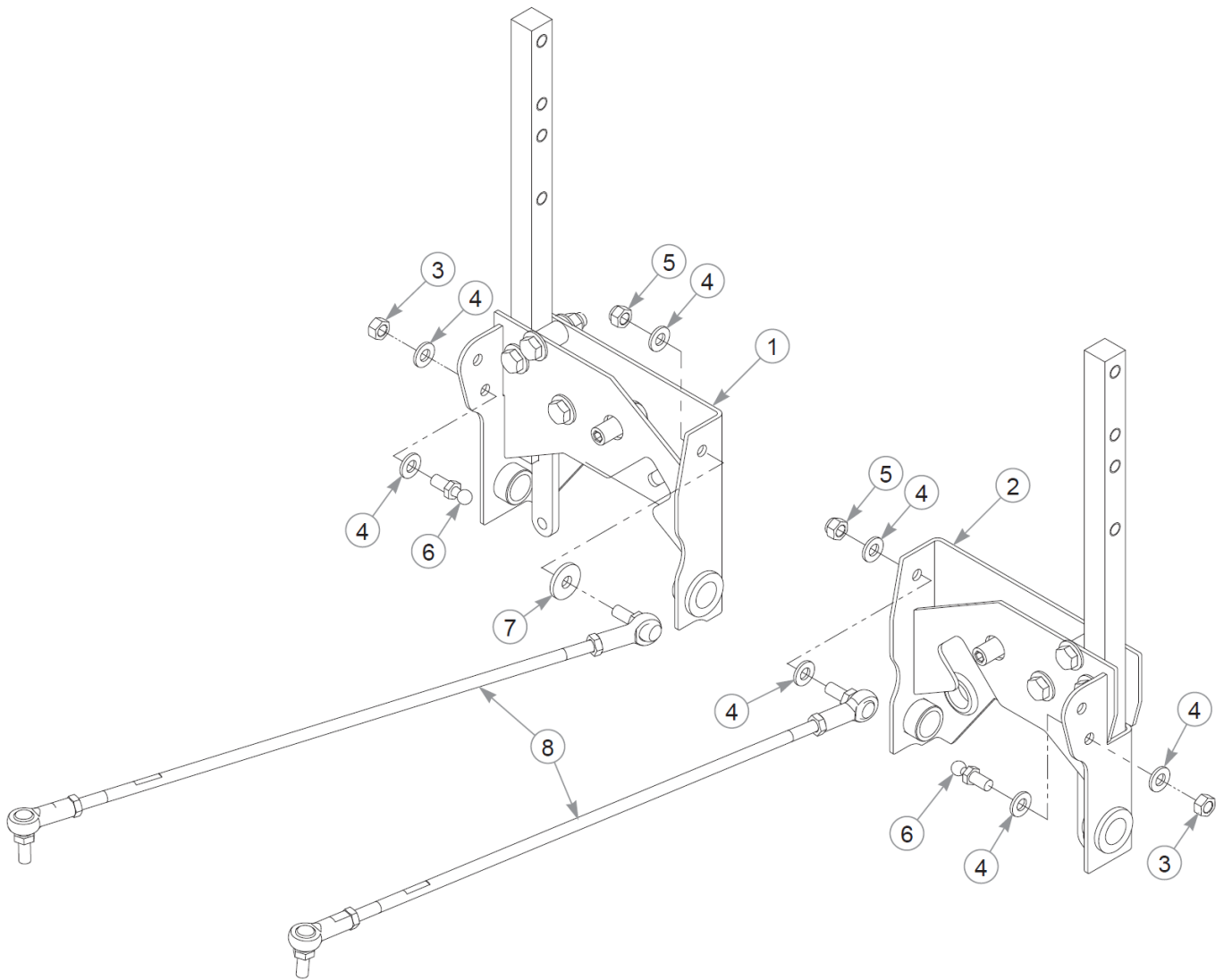


Steering

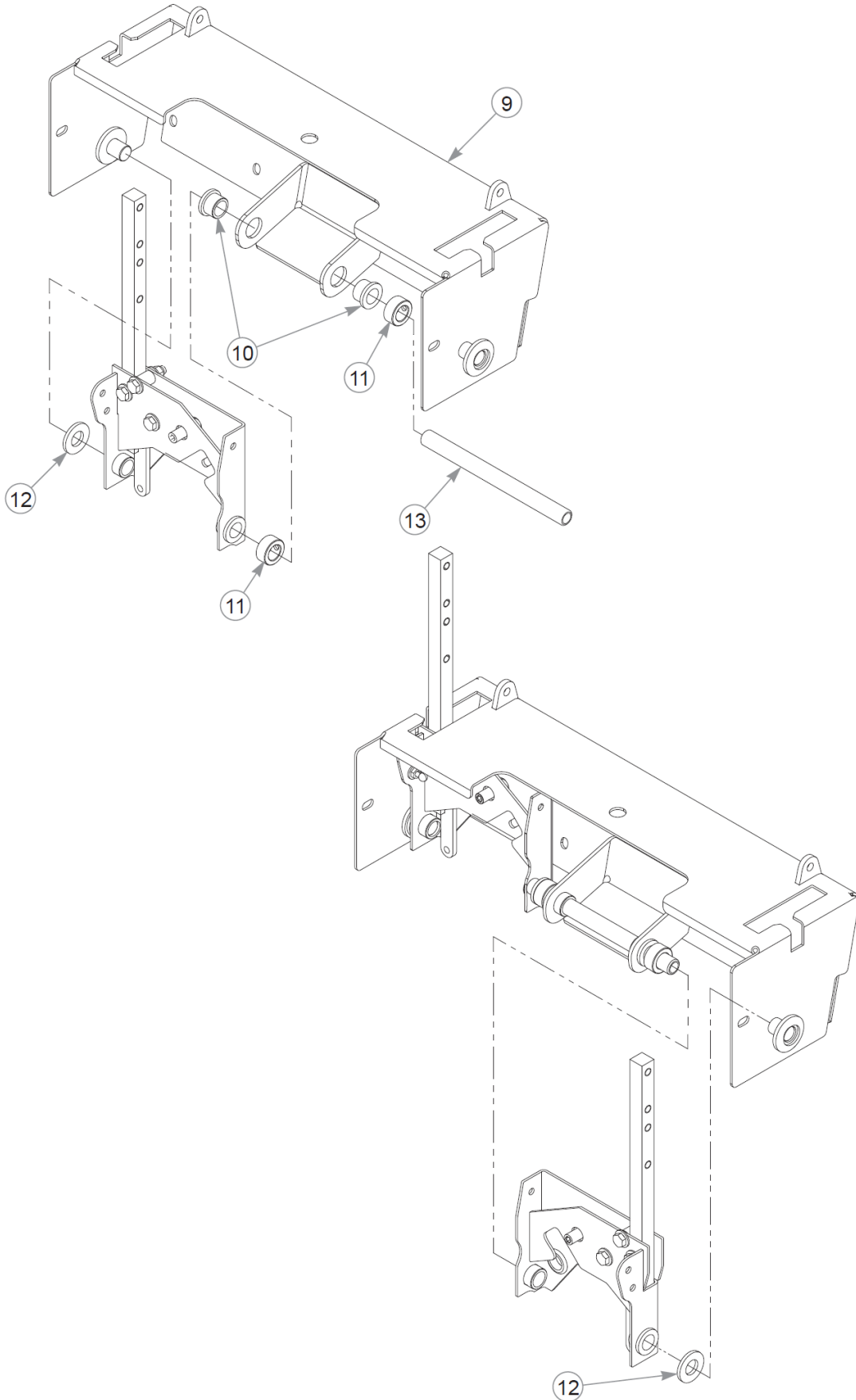
Item	Part No.	Qty	Name
1	109839	2	HANDLE, Z W/A
Not Shown	781260	2	GRIP, STEERING BAR
2	036244	4	CS .375-16X1.00 HX G5 ZN
3	767954	10	FW 0.379X.82X.06 HD ZN
4	N/A	1	REFER TO "STEERING COVER ASSEMBLY"
5	055822	6	CS .375-16X0.75 HX G5 ZN
6	016899	6	NT .375-16 FLKG5
7	601087	2	SWITCH, PLUNGER N.O.
8	795351	2	DAMPER, CENTERING
9	781922	2	BALL STUD
10	768523	6	FW 0.343SAE
11	029876	2	LW .312 INTEXT ZN
12	016832	2	NT .312-18FLKG5
13	023655	2	NT 0.312-24 NL G8
14	608127	1	DECAL, USA, F&D
15	608102	1	DECAL, DIESEL Z

Comments for Page: Steering

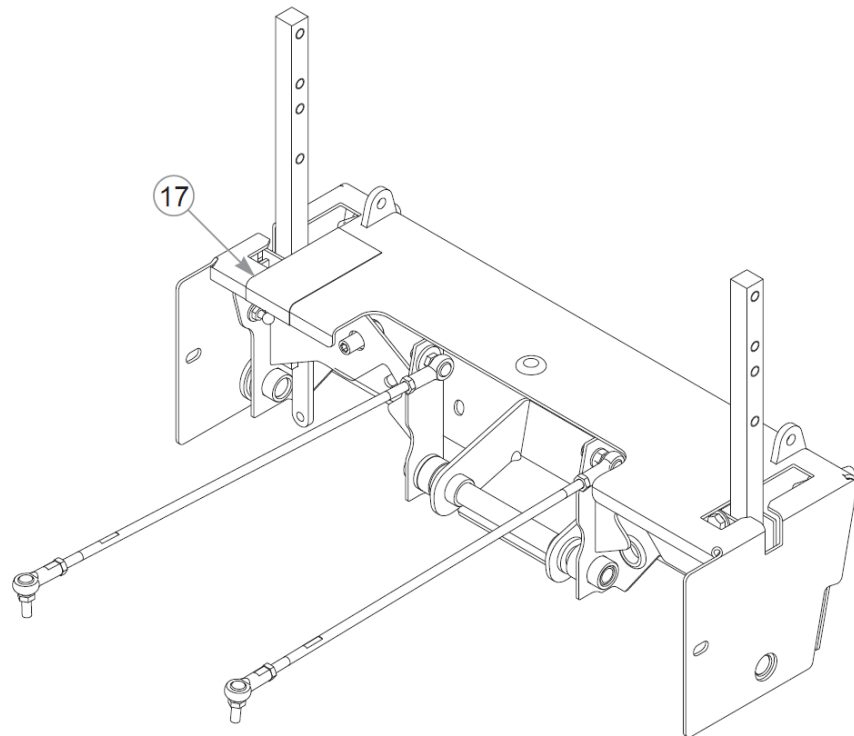
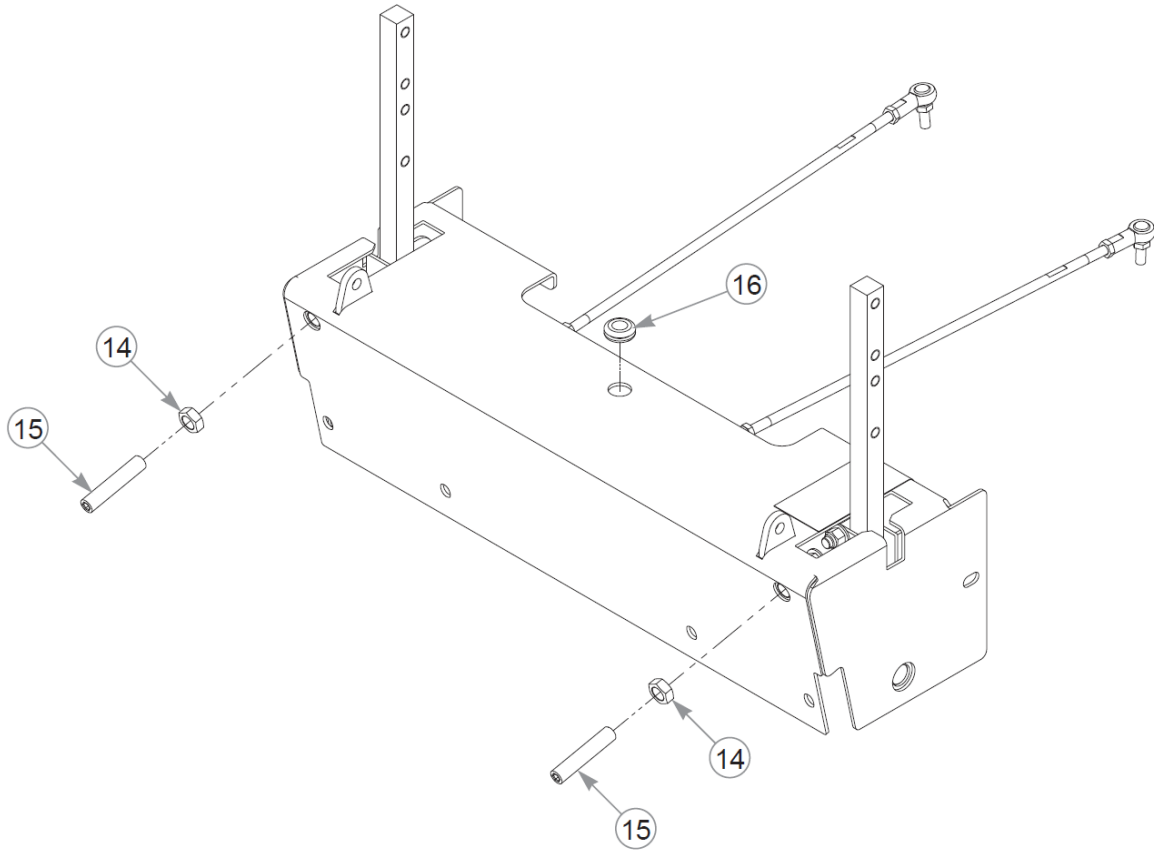
1. The handles include the grips.



This page intentionally left blank

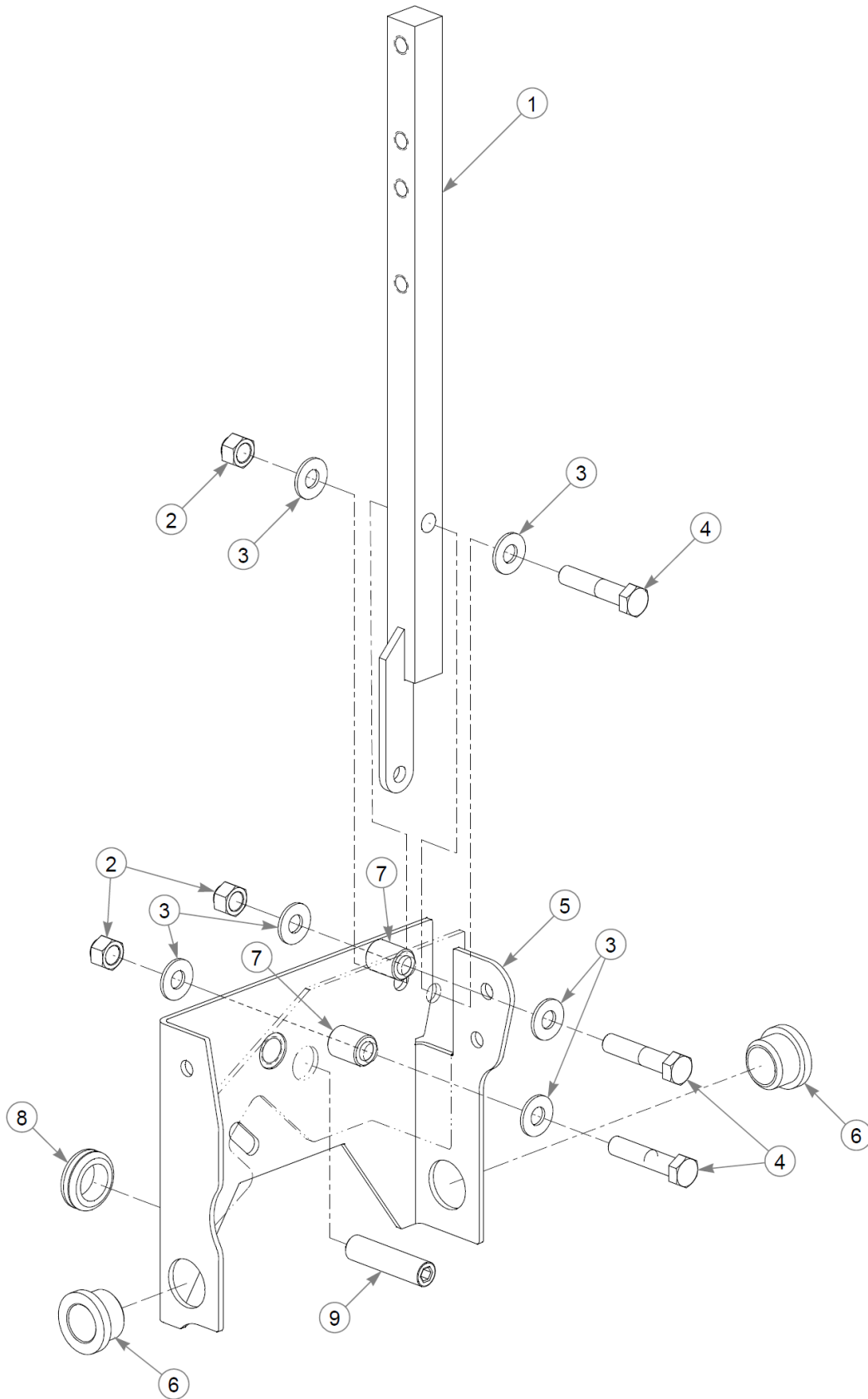


This page intentionally left blank



Steering Cover Assembly (Multi-Page)

Item	Part No.	Qty	Name
1	N/A	1	REFER TO "LS STEERING BOX ASSEMBLY"
2	N/A	1	REFER TO "RS STEERING BOX ASSEMBLY"
3	034272	2	NT .312-18HXG5
4	768523	7	FW 0.343SAE
5	023655	2	NT 0.312-24 NL G8
6	781922	2	BALL STUD
7	712927	1	FW 0.344X1.00X.12 HD ZN
8	781286	2	PUMP ROD ADJUSTER ASSY
9	115080	1	STEERING COVER W/A, HDZ
10	608000	2	BUSHING
11	784439	2	LOCK COLLAR,0.757 ID(FS)
12	603078	2	FW .750X1.50X.16 ZN
13	108813	1	STEER PIVOT TUBE
14	053199	2	NT .500-13JAMG5
15	603055	2	SS .500-13X 2.50 SH ZN
16	080358	1	GM .50X1.00X.75X.12
17	722199	5.5"	POLYURETHANE 2" (FS)



RS Steering Box Assembly Breakdown

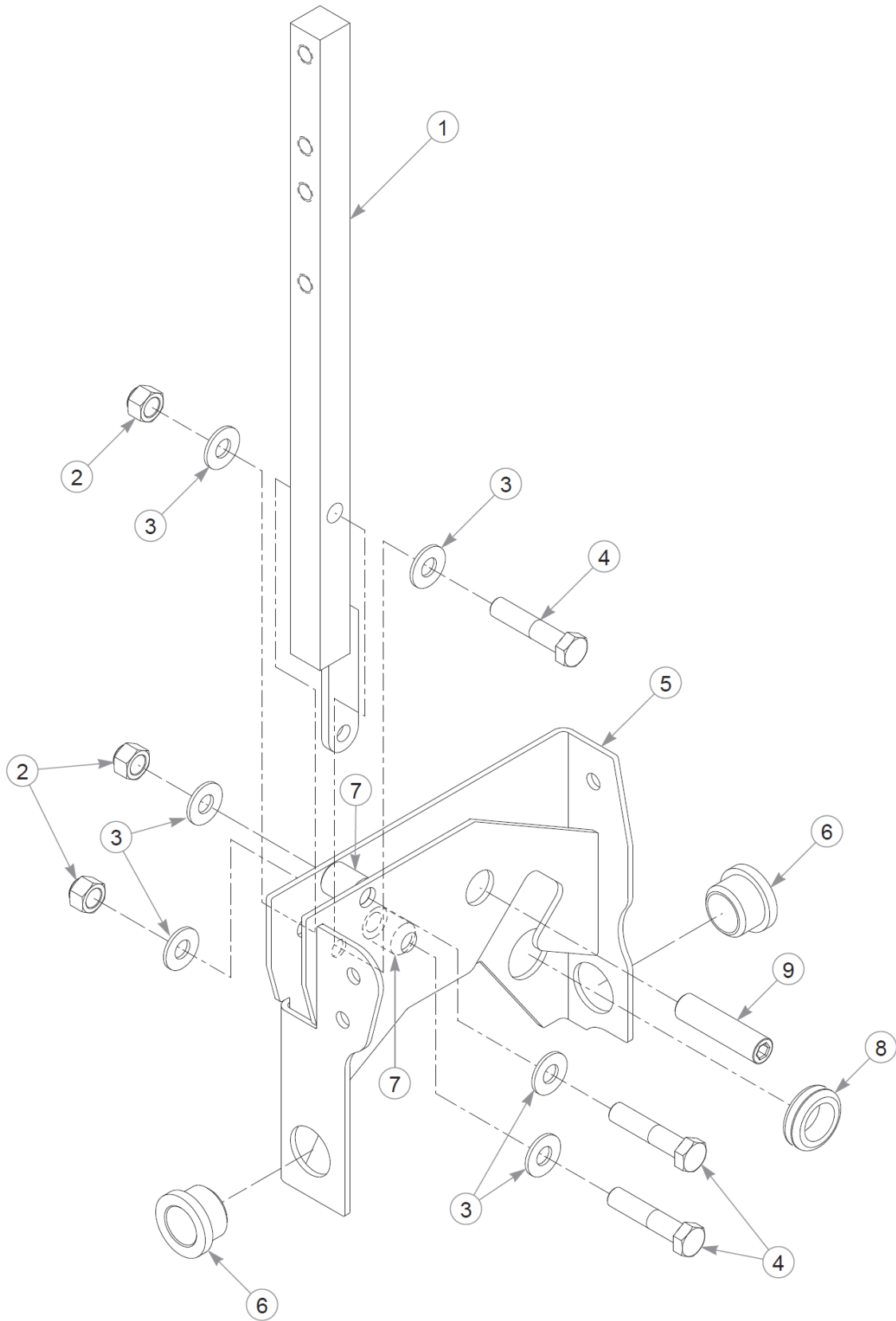
72" RD Diesel Z Parts Manual - 940486US - HTHDZR072PER403J-11U

Item	Part No.	Qty	Name
1	NSS	1	STEERING ARM W/A
2	086660	3	NT .375-16NLG8
3	767954	6	FW 0.379X.82X.06 HD ZN
4	705178	3	CS .375-16X1.750HXG5
5	112898	1	STEERING BOX W/A, RH
6	608000	2	BUSHING
7	348862	2	STEERLEVER BUSHING (PLA
8	047456	1	GM .750X.188X1.00X.12
9	797738	1	SS .500-13X2.000SH

Comments for Page: RS Steering Box Assembly Breakdown

1. Torque all hardware to 33 ft-lbs \pm 10%.

LS Steering Box Assembly Breakdown

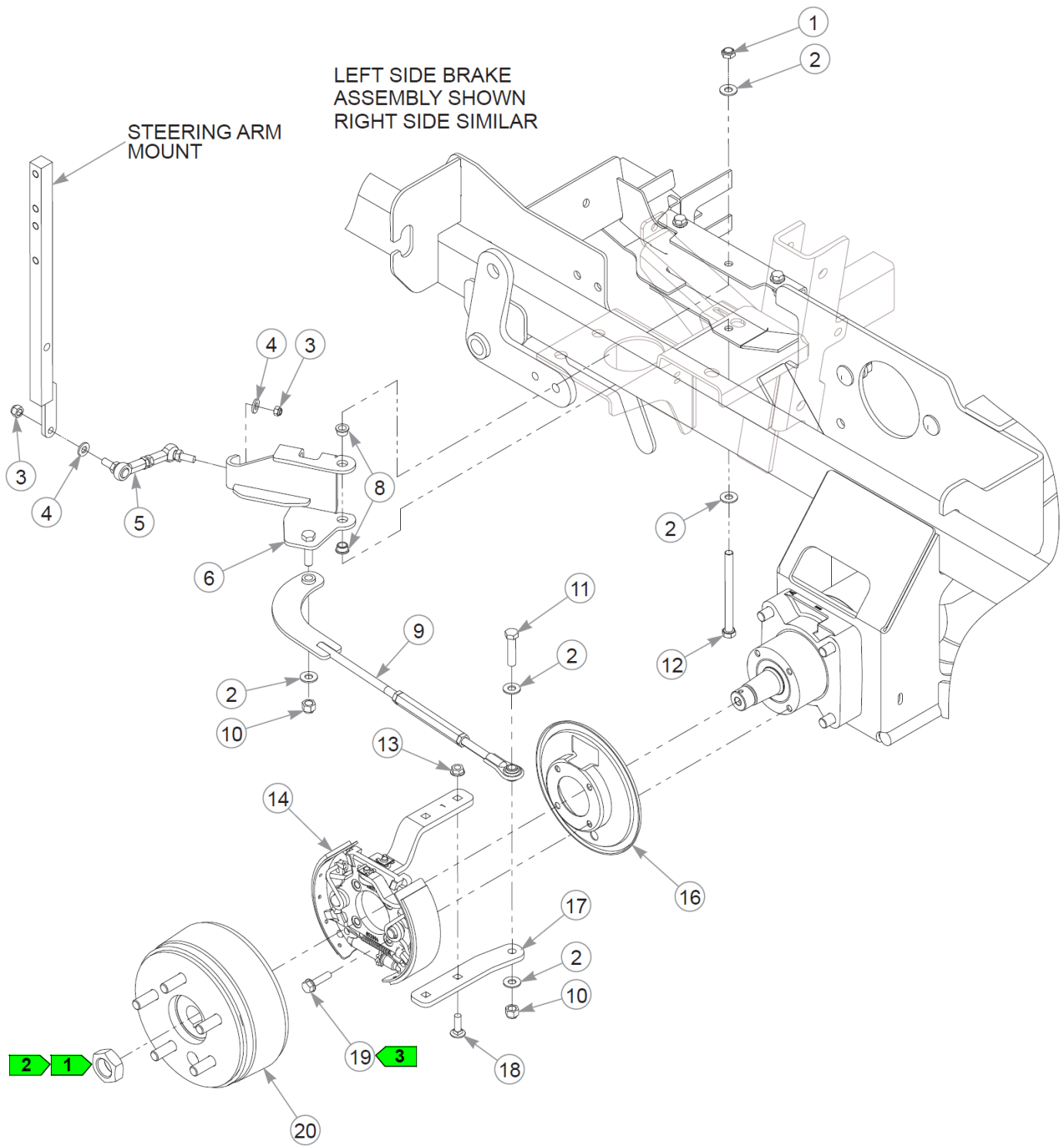


LS Steering Box Assembly Breakdown

Item	Part No.	Qty	Name
1	NSS	1	STEERING ARM W/A
2	086660	3	NT .375-16NLG8
3	767954	6	FW 0.379X.82X.06 HD ZN
4	705178	3	CS .375-16X1.750HXG5
5	112899	1	STEERING BOX W/A LH
6	608000	2	BUSHING
7	348862	2	STEERLEVER BUSHING (PLA
8	047456	1	GM .750X.188X1.00X.12
9	797738	1	SS .500-13X2.000SH

Comments for Page: LS Steering Box Assembly Breakdown

1. Torque all hardware to 33 ft-lbs ± 10%.

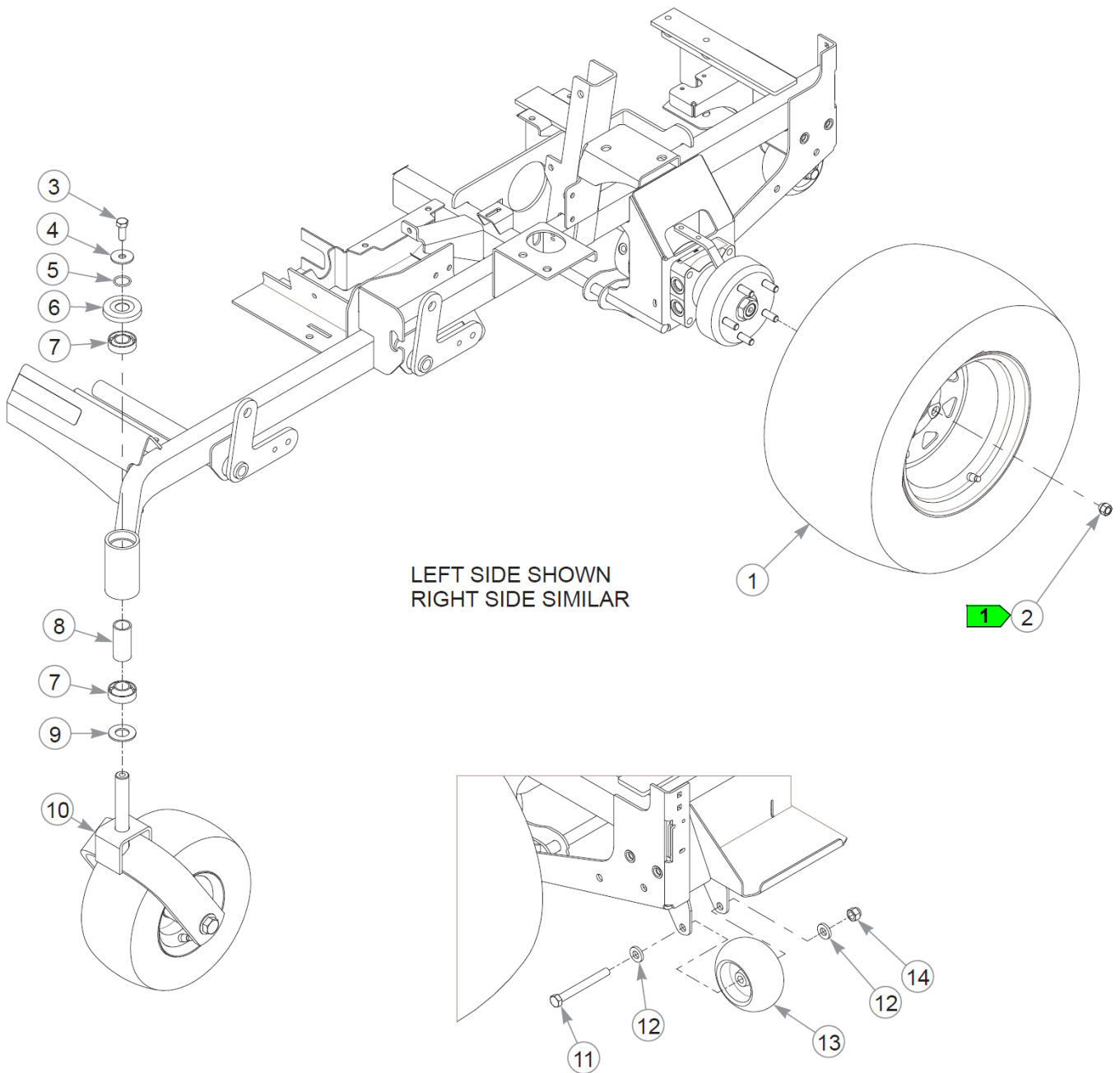


Brake

Item	Part No.	Qty	Name
1	603846	2	NT .375-16 HX NL JAM ZN
2	767954	10	FW 0.379X.82X.06 HD ZN
3	023655	4	NT 0.312-24 NL G8
4	768523	4	FW 0.343SAE
5	781583	2	BRAKE ROD ASSEMBLY
6	126346-4	1	BELLCRANK W/A, LH
7	126347-4	1	BELLCRANK W/A, RH
8	765339	4	BUSHING,IGUS#0608 (FS)
9	607952	2	TURNBUCKLE ASSY
10	086660	4	NT .375-16NLG8
11	705160	2	CS .375-16X1.625HXG5
12	052514	2	CS .375-16X4.500HXG5
13	016832	4	NT .312-18FLKG5
14	607894	1	BRAKE ASSY, LH
15	607895	1	BRAKE ASSY, RH
16	607896	2	DUST SHIELD
17	126349-3	2	EXTENSION, BRAKE ARM
18	037887	4	CB .312-18X 1.000 FUL ZN
19	607328	8	CS .312-18X1.25HXG8 FL
20	607893	2	DRUM HUB ASSEMBLY

Comments for Page: Brake

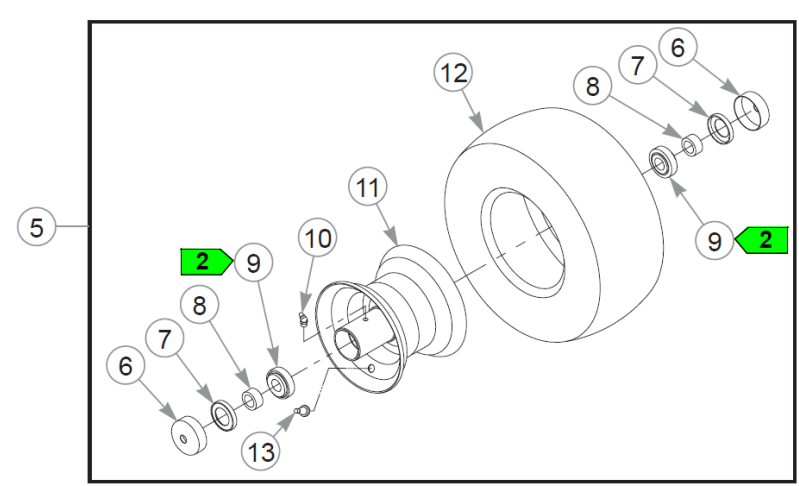
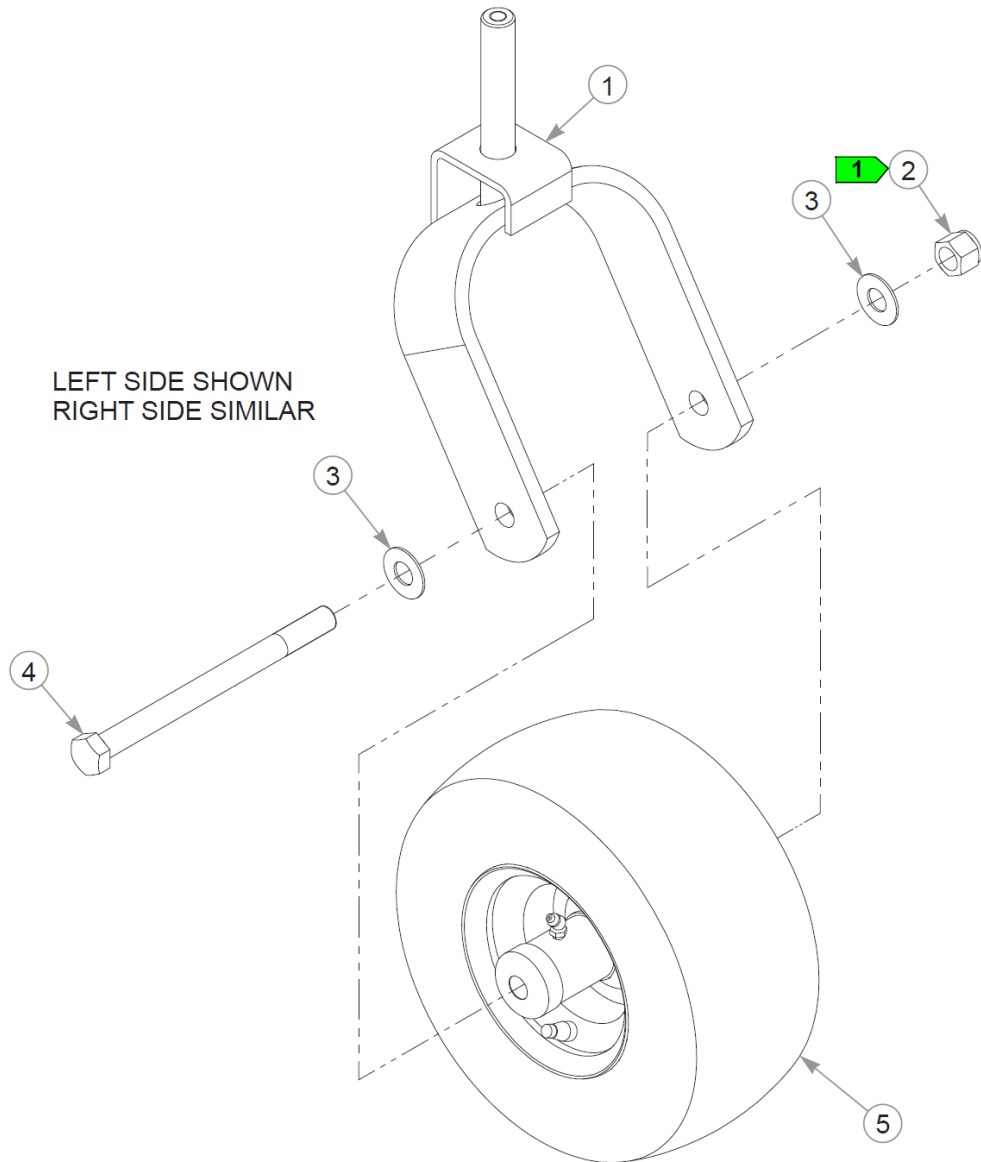
1. Included with the wheel motor.
2. Torque to 220-240 ft-lbs.
3. Torque to 27 ft-lbs.



Wheels & Tires

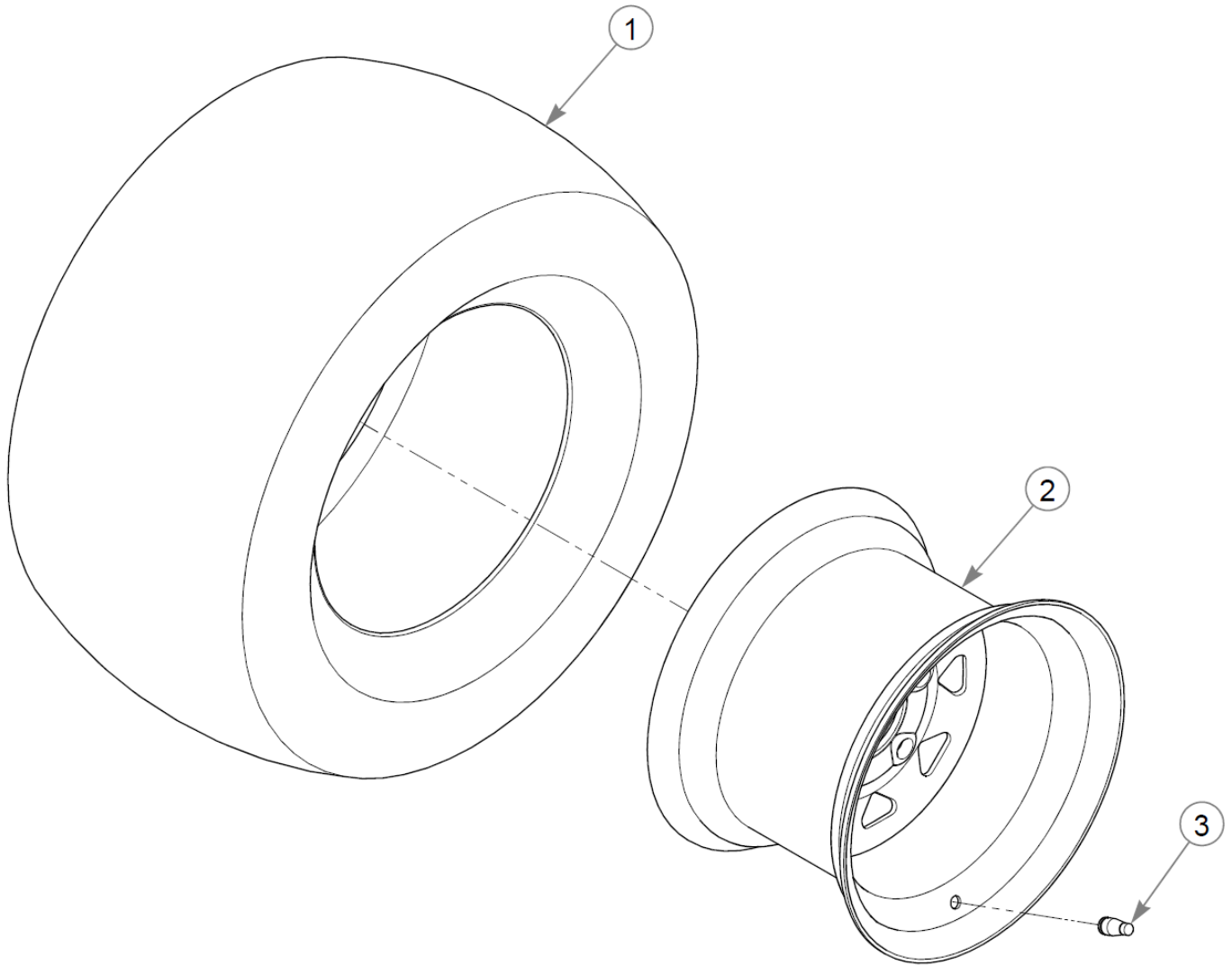
Item	Part No.	Qty	Name
1	607535	2	TIR/WHL 24X12.00-12 BLK
2	061077	10	WHEEL NUT
3	705954	2	CS .500-13X1.25 HX G5 ZN
4	798603	2	FW .515X1.65X.12 HD ZN
5	601375	2	O-RING, SAE-14
6	603153	2	DUST CAP, SZ CASTER
7	784223	4	BEARING
8	387035	2	SPACER, 1.07x1.312x2.79
9	603164	2	BEARING DISC, FORK
10	N/A	2	REFER TO "FRONT WHEEL ASSEMBLY"
11	068239	2	CS .500-13X4.500HXG5
12	767962	4	FW .531 x 1.063 x .175
13	031997	2	ANTI-SCALP WHEEL
14	781567	2	NT .500-13NLG5

Front Wheel Assembly



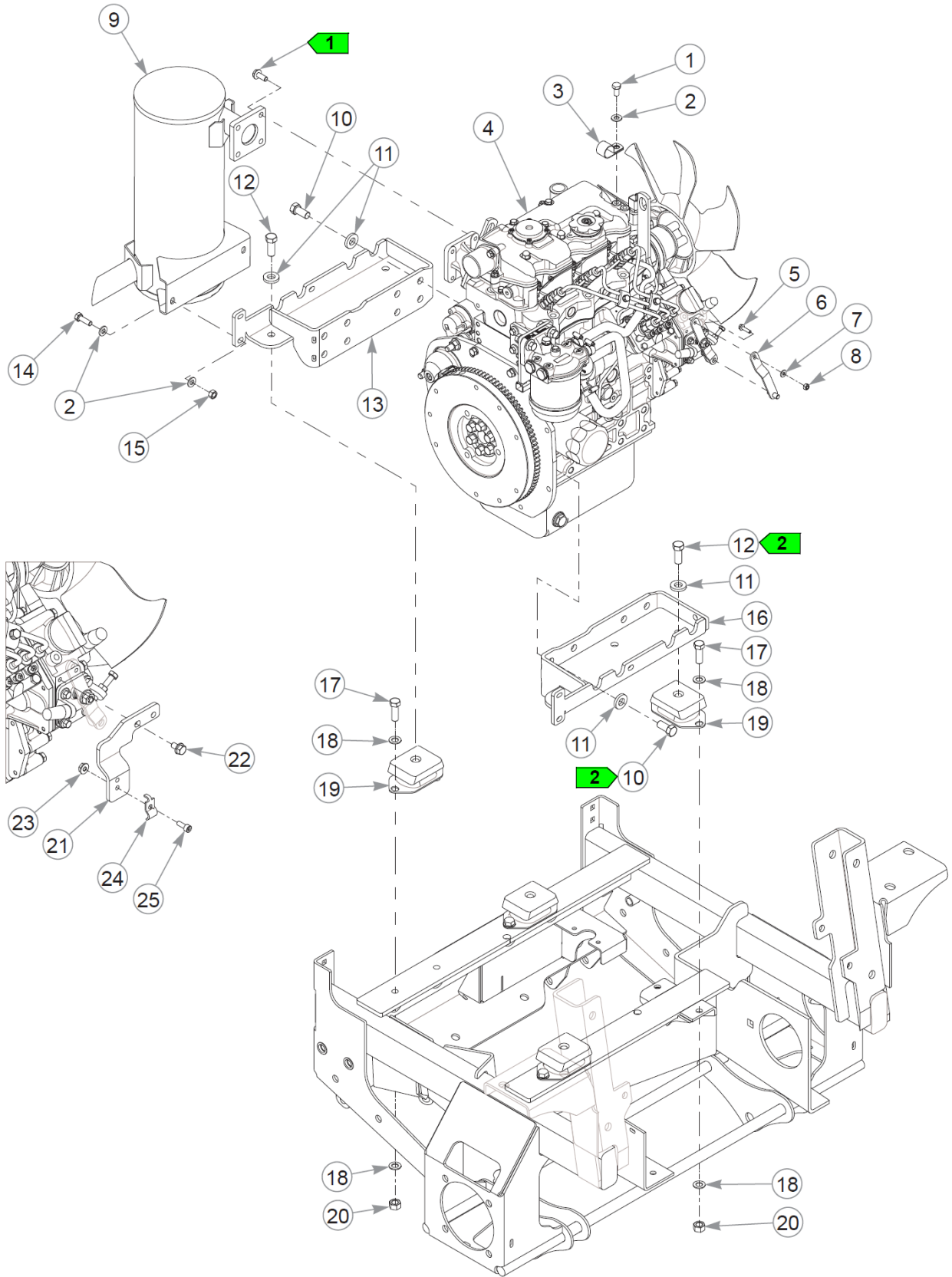
Front Wheel Assembly

Item	Part No.	Qty	Name
1	123644-2	1	W/A, CASTER FORK
2	061101	1	NT .750-10 HX ZN NL GR B
3	025296	2	FW .760X1.63X0.08 ZN
4	041475	1	CS .750-10X9.50 HX G5 ZN
5	606745	1	TIR/WHL 13X6.50-6 BLK
6	606779	2	DUST CAP, 0.502 ID
7	606780	2	SEAL
8	606778	2	SPACER, 0.531
9	606753	2	BEARING, TAPERED ROLLER
10	606126	1	GREASE FITTING, M8X1.0
11	606752	1	WHL 6X4.50 BLK
12	604843	1	TIR 13X6.50-6 B4R SMTH
13	019521	1	TIRE VALVE TR-412 GOODY

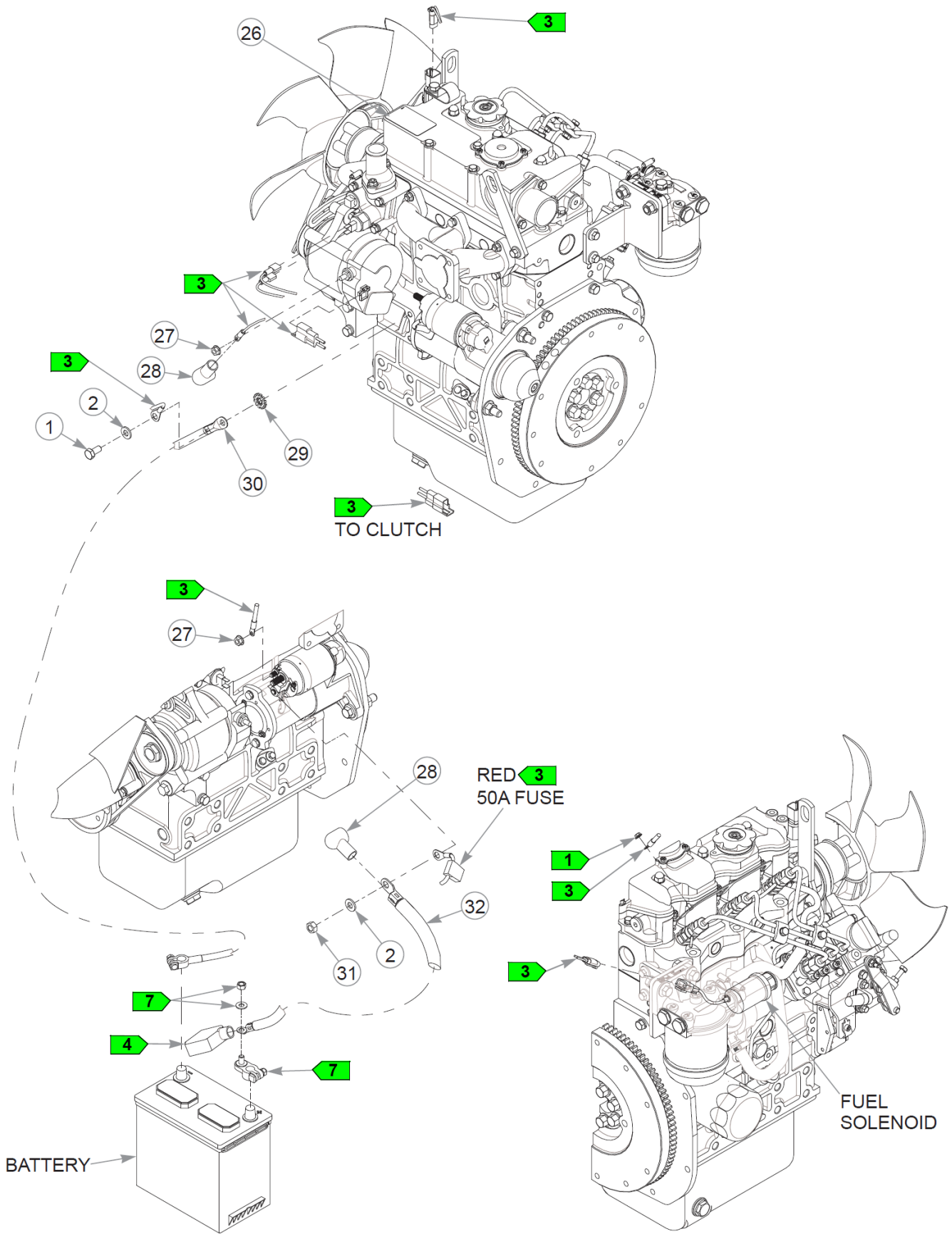


Drive Wheel Assembly

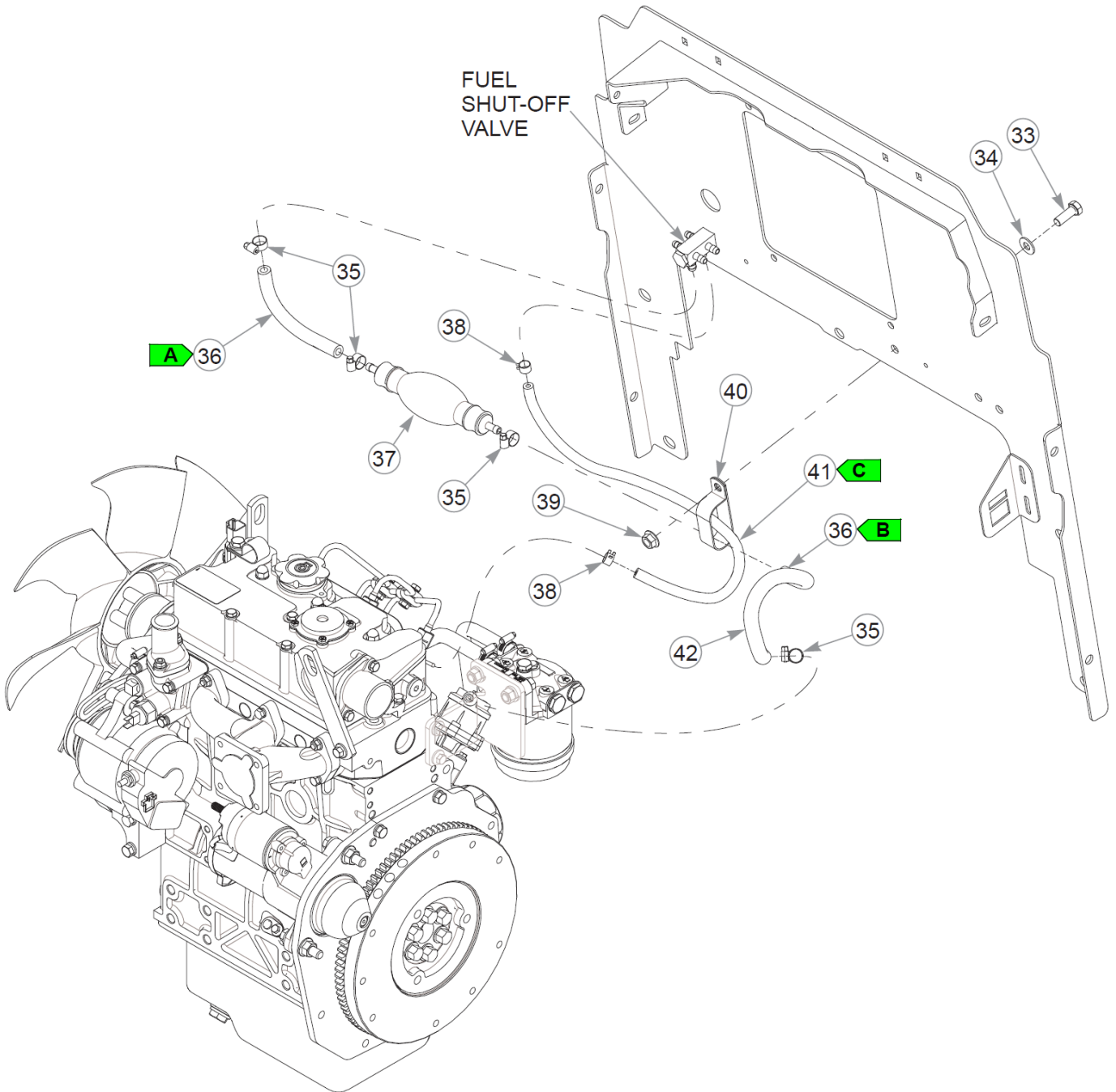
Item	Part No.	Qty	Name
1	606967	1	TIR 24X12.00-12 B4R GRMR
2	607536	1	WHL 12X8.50 5X4.5 BLK
3	019521	1	TIRE VALVE TR-412 GOODY



This page intentionally left blank



This page intentionally left blank



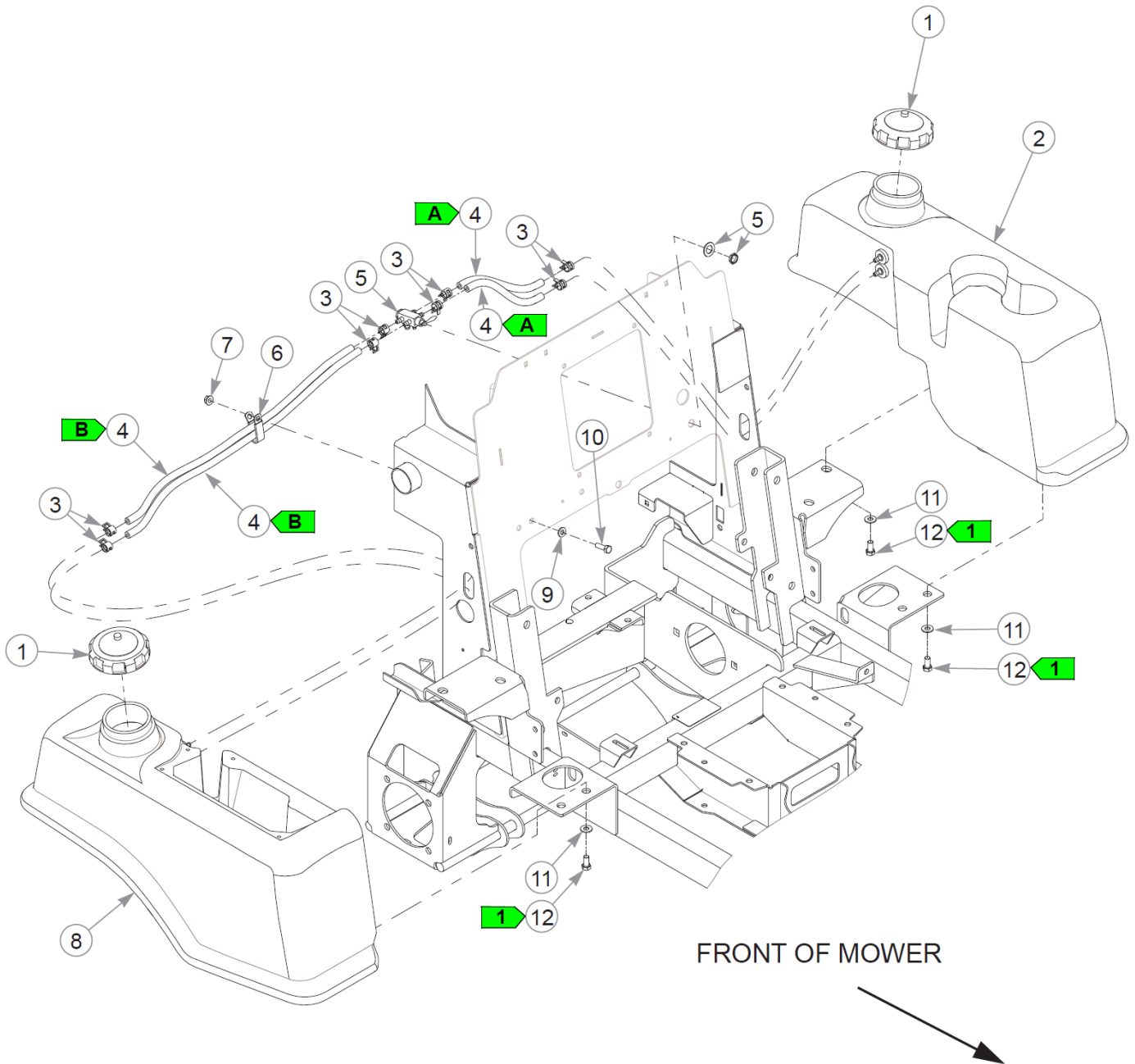
Engine, Muffler & Battery (Multi-Page)

Item	Part No.	Qty	Name
1	053678	2	CS M8-1.25X16HXG8.8
2	768523	7	FW 0.343SAE
3	043570	1	CLIP - HOSE - SINGLE(FS)
4		1	ENG, 403J-11 DSL
5	063198	1	CS #10-24X0.750FLKG5
6	126940-4	1	PIN WA
7	704932	1	FW 0.219X.50X.05 ZN
8	059832	1	NT #10-24 HX NL ZN
9	601361	1	MUFFLER, ISM S773L HDZ
10	601428	16	CS M12-1.25 X 25 ZN
11	767962	20	FW .531 x 1.063 x .175
12	602196	4	CS M12-1.75 x 30 G8.8 ZN
13	126308-1	1	SUPPORT WA - ENGINE
14	036236	2	CS .312-18X1.000HXG5
15	034272	2	NT .312-18HXG5
16	126305-1	1	SUPPORT WA - ENGINE
17	773242	8	CS .437-14X1.250HXG5
18	704742	16	FW 0.453X.81X.06 ZN
19	601958	4	ISO MOUNT, HD STABLE
20	041707	8	NT .437-14HXG5
21	126950-1	1	SUPPORT - THROTTLE CABLE
22	739144	2	CS M6-1.00X12HXG10.9
23	016774	1	NT #10-24 HXFLK ZN
24	011841	1	CONDUIT CLIP
25	794495	1	CS 10-24 X .500 SKTHD Z
26	606453	1	DECAL, CAUTION
27	005231	2	NT M6-1.00FLG
28	601319	2	POS. BATTERY CABLE BOOT
29	029876	1	LW .312 INTEXT ZN
30	601540	1	CABLE, NEG 12" POST/STUD
31	045336	1	NT M8X1.25 HX GR8.8 ZN
32	608025	1	BATTERY - POSITIVE
33	036244	1	CS .375-16X1.00 HX G5 ZN
34	767954	1	FW 0.379X.82X.06 HD ZN
35	601693	4	HOSE CLAMP, 1/4" - 5/8"
36	791400	19"	FUEL LINE, 5/16"

This page intentionally left blank

Engine, Muffler & Battery (Multi-Page)

Item	Part No.	Qty	Name
37	601378	1	FUEL PRIMER BULB, 5/16"
38	603112	2	CLAMP, 3/16 FUEL
39	016899	1	NT .375-16 FLKG5
40	045088	1	HOSE CLAMP 1" (FS)
41	603326	23"	VAPOR LINE, 3/16"
Comments for Part Num. 603326			
Sold by the foot.			
42	608365	1	SLEEVE - ABRASIVE RESIST



Fuel System

Item	Part No.	Qty	Name
1	798470	2	CAP, 3 1/2" YELLOW FUEL
2	603779	1	FUEL TANK, FENDER, LH
3	000323	8	CLIP, HOSE CLAMP
4	015818	69"	FUEL LINE, 1/4"
Comments for Part Num. 015818			
Sold by the foot.			
5	795542	1	FUEL VALVE SDZ
6	043646	1	CLAMP, CUSHIONED DOUBLE
7	016832	1	NT .312-18FLKG5
8	603778	1	FUEL TANK, FENDER, RH
9	768523	1	FW 0.343SAE
10	036236	1	CS .312-18X1.000HXG5
11	767954	8	FW 0.379X.82X.06 HD ZN
12	055822	8	CS .375-16X0.75 HX G5 ZN

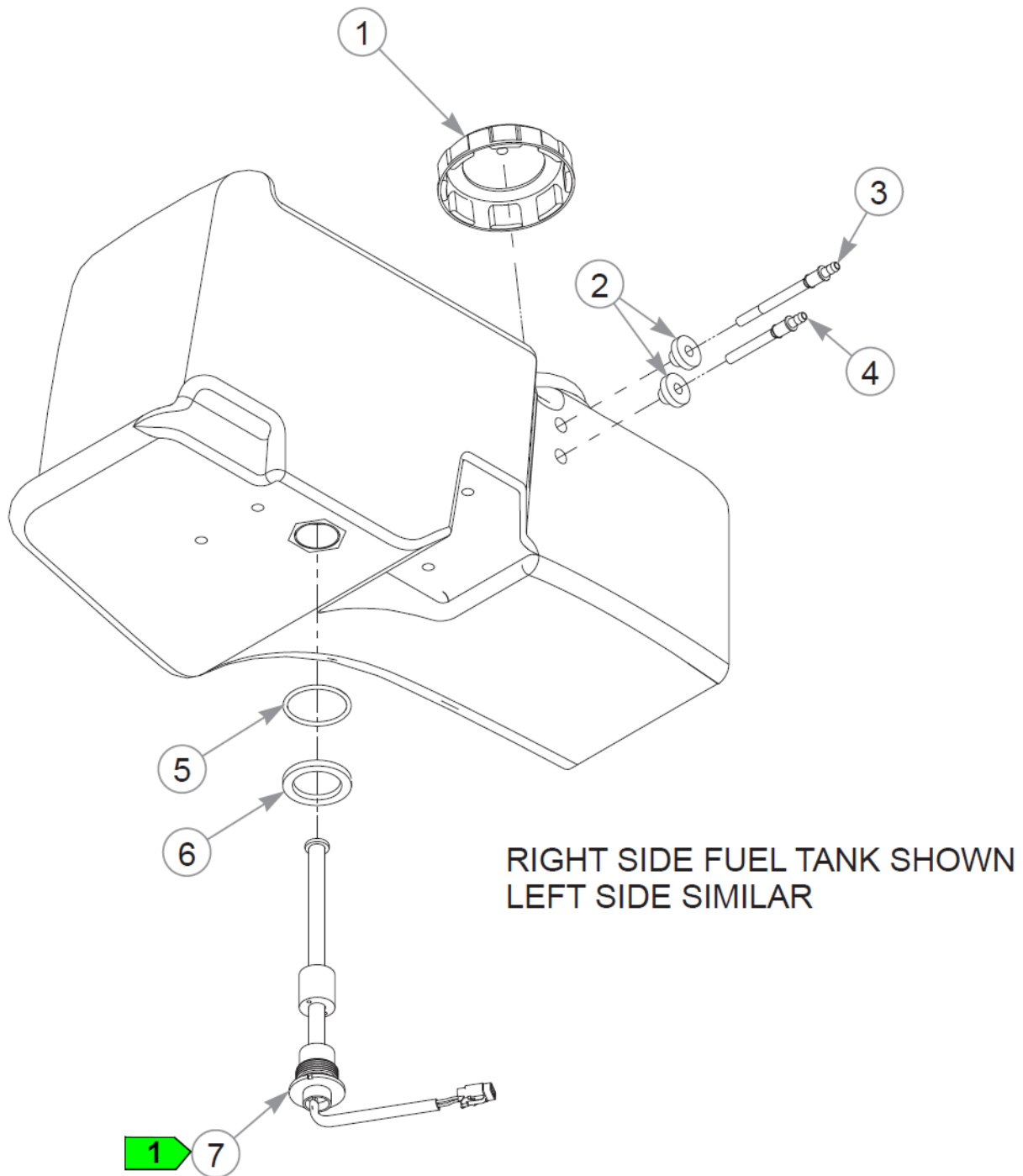
Comments for Page: Fuel System

1. Torque to 20 ft-lbs.

FUEL LINE LENGTHS

A: 10.5" LEFT TANK TO VALVE (FUEL)

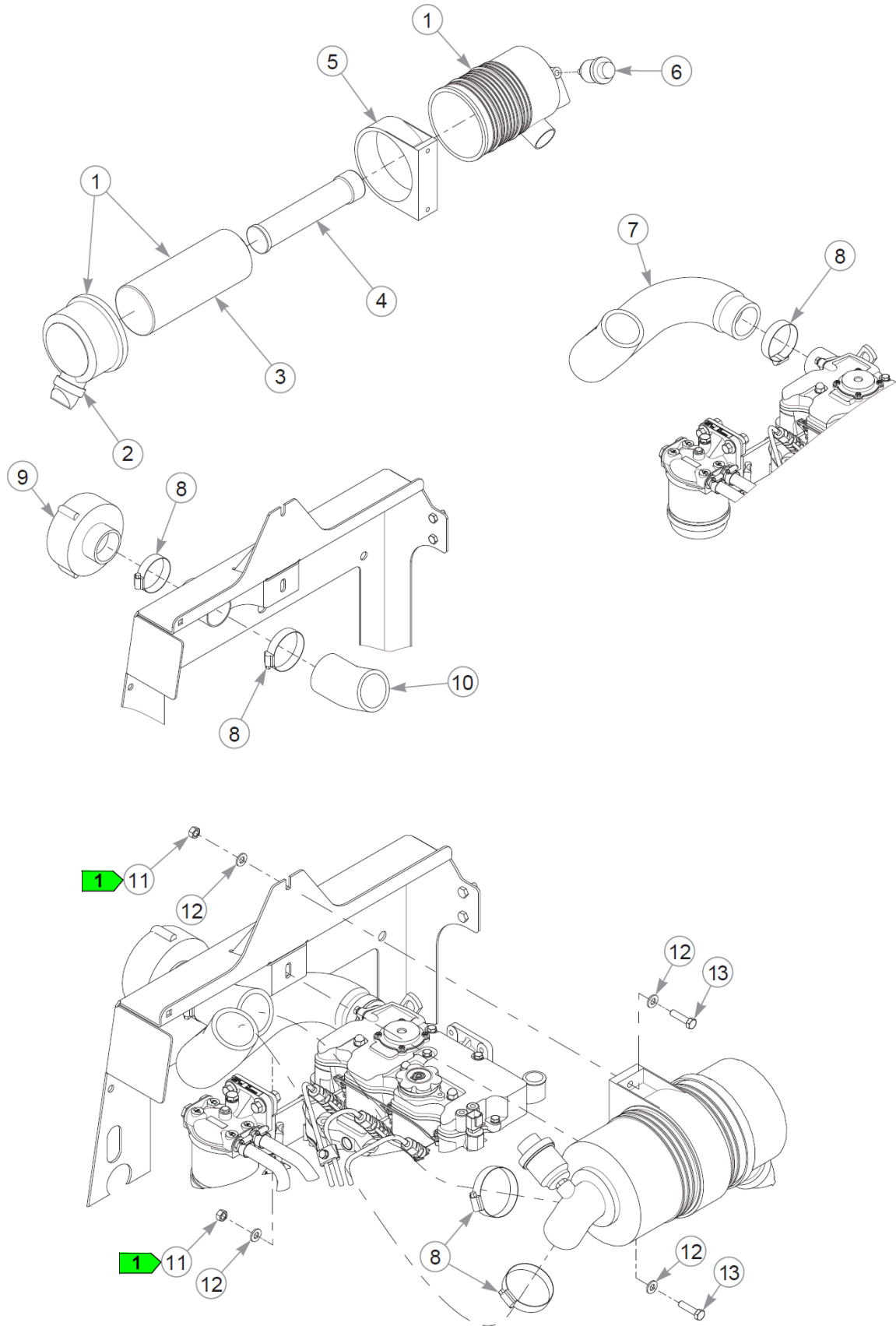
B: 24" RIGHT TANK TO VALVE (FUEL)



Fuel Tank Service Parts - 603778

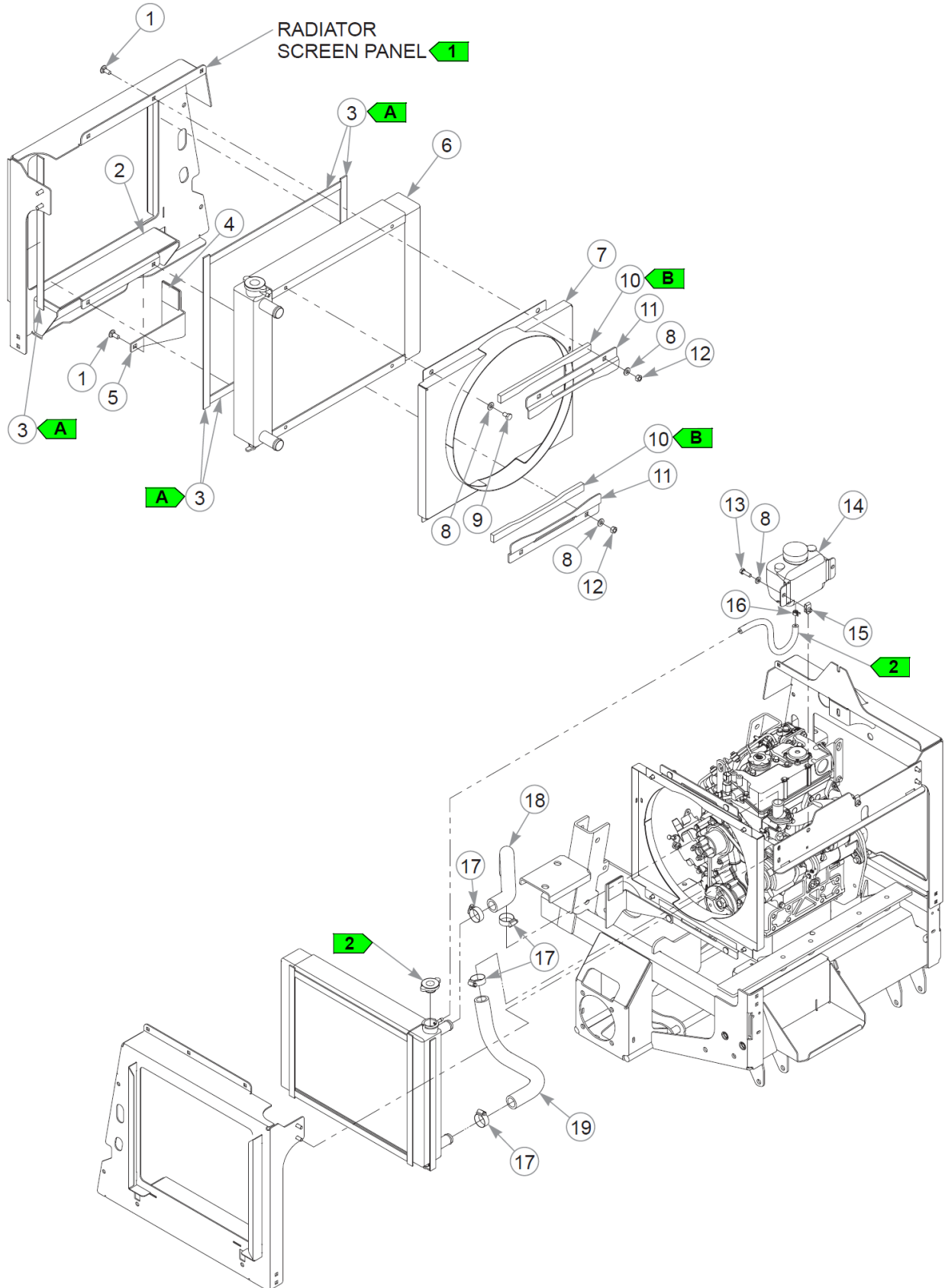
Item	Part No.	Qty	Name
1	798470	1	CAP, 3 1/2" YELLOW FUEL
2	785295K	2	TANK GROMMET SVC KIT
3	601694K	1	SVC KIT, SUCTION HOSE
4	601695K	1	SVC KIT, SUCTION HOSE
5	602069	1	O-RING, VITON -225 SIZE
6	603835	1	SEAL WASHER
7	607455K	1	SENDER SVC KIT

Air Cleaner



Air Cleaner

Item	Part No.	Qty	Name
1	782763	1	AIR CLEANER, DONALDSON
2	763318	1	VALVE, VACUATOR
3	785261	1	AIR FILTER - MAIN
4	785279	1	AIR FILTER - SAFETY
5	785741	1	BAND, AIR CLEANER MOUNT
6	795138	1	AIR FILTER INDICATOR,25
7	601360	1	HOSE, INTAKE HDZ
8	057661	5	HOSE CLAMP (FS)
9	775353	1	ENGINE CENTRIFICAL PREC
10	601359	1	HOSE, FRESH AIR INTK HDZ
11	034272	2	NT .312-18HXG5
12	768523	4	FW 0.343SAE
13	079186	2	CS .312-18X1.250HXG5

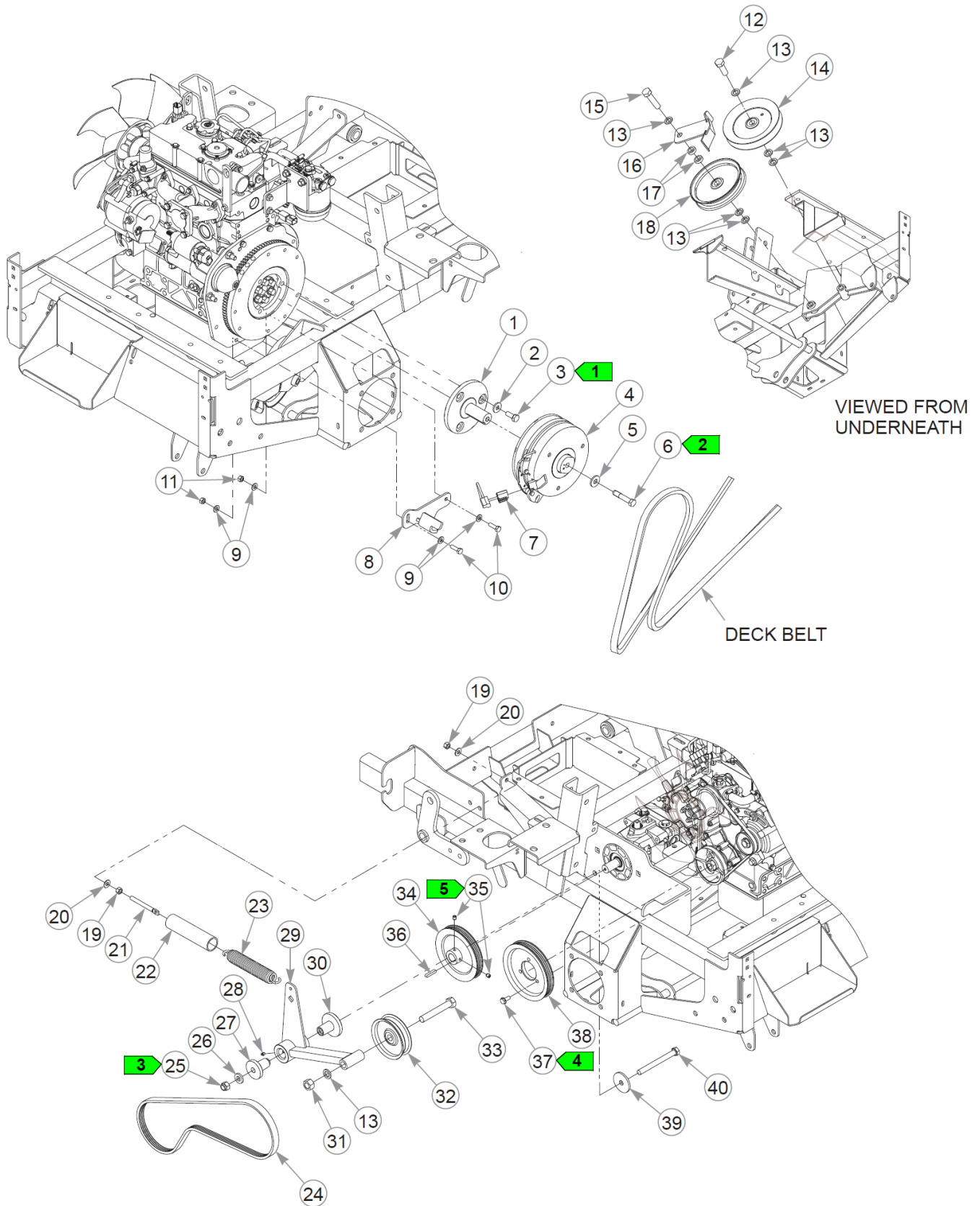


Cooling System

72" RD Diesel Z Parts Manual - 940486US - HTHDZR072PER403J-11U

Item	Part No.	Qty	Name
1	016253	4	CB .312-18X .750 FUL ZN
2	601558	1	RADIATOR SUPPORT PAD
3	608040	80"	RUBBER STRIP
4	606946	1	RADIATOR SUPPORT PAD
5	124556-1	1	RADIATOR BRACKET
6	601295	1	RADIATOR, HDZ ISM 773
7	126937-1	1	SHROUD WA - RADIATOR
8	768523	10	FW 0.343SAE
9	068346	4	CS .312-18X0.500HXG5
10	713198	22"	SEAL 3/8x3/4 SOLD BY FT
11	126951-1	2	SUPPORT - RADIATOR
12	034272	4	NT .312-18HXG5
13	036236	2	CS .312-18X1.000HXG5
14	601358	1	BOTTLE, OVERFLOW RAD
Not Shown	089896	1	OVERFLOW CAP, VENTED
15	601069	2	CN .312-18x.200 MAX THK
16	041483	1	HOSE CLAMP, 7/16 SPRING
17	713040	4	HOSE CLAMP
18	601353	1	HOSE, UPPER RADIATOR HDZ
19	601354	1	HOSE, LOWER RADIATOR HDZ

Belt Drive & Clutch



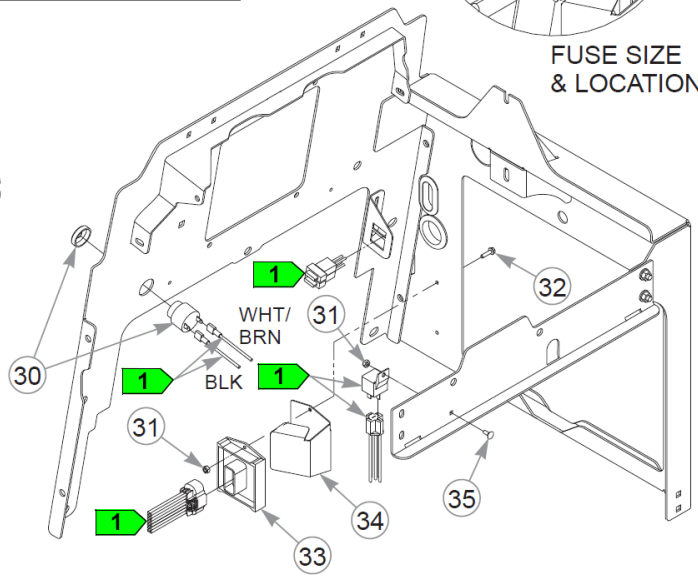
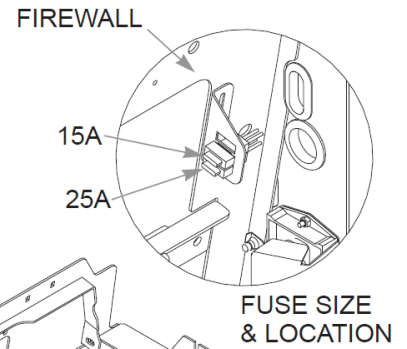
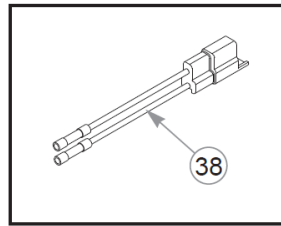
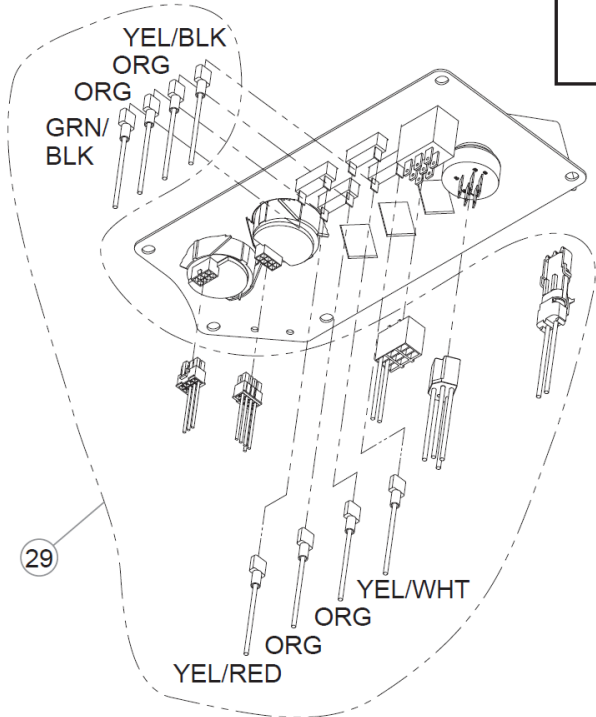
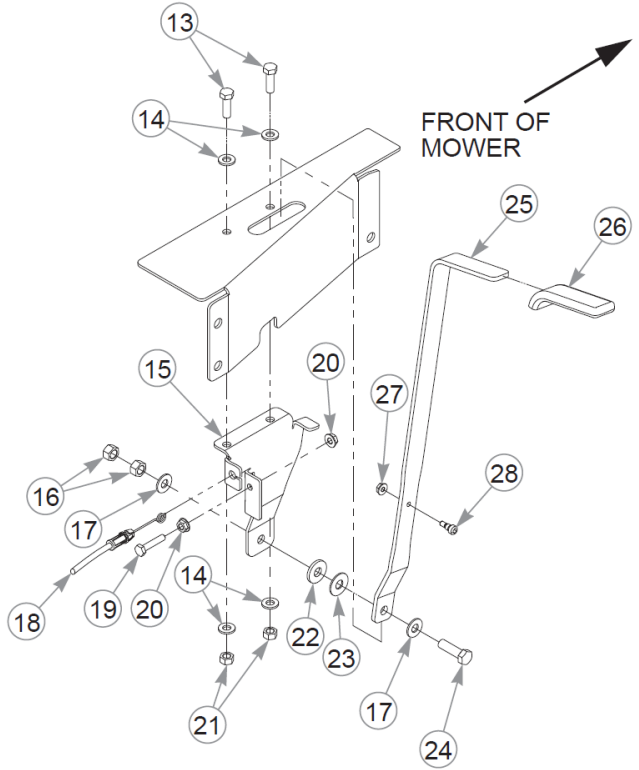
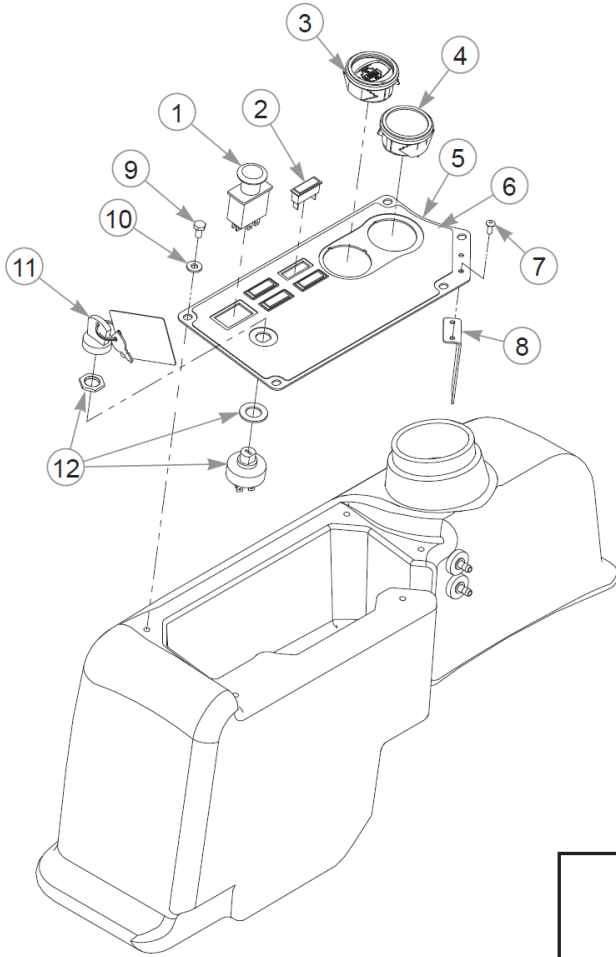
Belt Drive & Clutch

Item	Part No.	Qty	Name
1	601279	1	STUB SHAFT, ISM 773
2	712919	3	FW 0.406X1.00X.12 HD ZN
3	038836	3	CS M10-1.50X25 HX ZN
4	601278K	1	CLUTCH KIT
5	602680	1	FW .453X1.12X.12 HRD ZN
6	778217	1	CS .437-20X2.250 HXG5P85
7	791251	1	HARNES, CLUTCH PIGTAIL
<p>Comments for Part Num. 791251</p> <p>Pigtail was updated with epoxy to hold the wires steady. The wire sheath was also updated to a more flexible material.</p>			
8	126311-1	1	CLUTCH ANCHOR WA
9	768523	4	FW 0.343SAE
10	036236	2	CS .312-18X1.000HXG5
11	034272	2	NT .312-18HXG5
12	025007	1	CS .62511X1.750HXG5
13	028118	7	FW 0.625X1.00X.13 ZN
14	796714	1	PULLEY, 6" HB IDLER RD
15	025015	1	CS .625-11X2.500HXG5
16	113088	1	BELT GUIDE, W/A
17	600296	2	SPACER, DECK IDLER
18	781385	1	PULLEY, IDLER NHI 6.00"
19	054502	2	NT .375-16HXG5
20	767954	2	FW 0.379X.82X.06 HD ZN
21	601486	1	EB, .375-16X3.00 FULTHD
22	601722	1	TUBE, 1.500 X .12W CLR
23	601016	1	IDLER SPRING
24	601424	1	BELT, 4 RIB "PVL"
25	781567	1	NT .500-13NLG5
26	767962	1	FW .531 x 1.063 x .175
27	602879	1	BUSHING, IDLER PIVOT
28	015495	1	GREASE FITTING STRAIGHT
29	115117	1	IDLER ARM, W/A
30	602880	1	BUSHING, IDLER PIVOT
31	016972	1	NT .625-11 HX G5 ZN
32	601488	1	PULLEY, 4" FLAT IDLER
33	047712	1	CS .625-11X4.000HXG5

This page intentionally left blank

Belt Drive & Clutch

Item	Part No.	Qty	Name
34	601422	1	PULLEY, 5.625" MICRO V
35	600122	2	SS .312-18 X .312 SH BO
36	601713	1	KEY, 1/4 X 1.375 LONG
37	720177	3	CS M8-1.25X20FLG10.9
38	601423	1	PULLEY, 6.0" MICRO V
39	344267	1	FW .510X2.15X.19 ZN
40	051151	1	CS .500-13X5.000HXG5



Instrument Panel & Wire Harness

Item	Part No.	Qty	Name
1	776476	1	SWITCH, PTO 6201-321
2	712257	4	INDICATOR LIGHT, RED(FS)
3	607451	1	GAUGE, DUAL NEEDLE 12V
4	608270	1	GAUGE - TEMPERATURE
5	555783	1	SVC, INSTR PANEL
6	606412	1	DECAL, INST PANEL HDZ
7	601089	2	RIVET .188 DIA BLK HD
8	109729	1	COVER, HDZ FUEL TANK
9	055947	5	CS .250-20X0.50 HX G5 ZN
10	768515	5	FW 0.281SAE
11	785808	1	KEY ASSEMBLY
12	045898	1	IGNITION SWITCH
13	036236	2	CS .312-18X1.000HXG5
14	768523	4	FW 0.343SAE
15	126949-1	1	SUPPORT - THROTTLE LEVER
16	054502	2	NT .375-16HXG5
17	767954	2	FW 0.379X.82X.06 HD ZN
18	607980	1	THROTTLE CABLE
19	603968	1	CS .250-20X1.25 HX FLTRD
20	016816	2	NT .250-20FLKG5
21	034272	2	NT .312-18HXG5
22	712919	1	FW 0.406X1.00X.12 HD ZN
23	601507	1	FW .406X1.000X.06 NYLON
24	052860	1	CS .375-16X1.25 HX G5 ZN
25	126948-1	1	THROTTLE ARM
26	603830	1	GRIP, BLACK .18x.94x4.0
27	016774	1	NT #10-24 HXFLK ZN
28	601493	1	SB .250Dx.250L 10-24 ZN
29	607890	1	WIRE HARNESS
30	794347	1	ALARM, ULTRA LOUD WARBL
31	059832	3	NT #10-24 HX NL ZN
32	063198	2	CS #10-24X0.750FLKG5
33	601368	1	CONTROLLER, HDZ S773L
34	119556	1	MODULE COVER, HDZ
35	601098	1	CB 10-24 X .500 ZYNC
36	000331	8	WIRE TIE, SMALL/SHORT

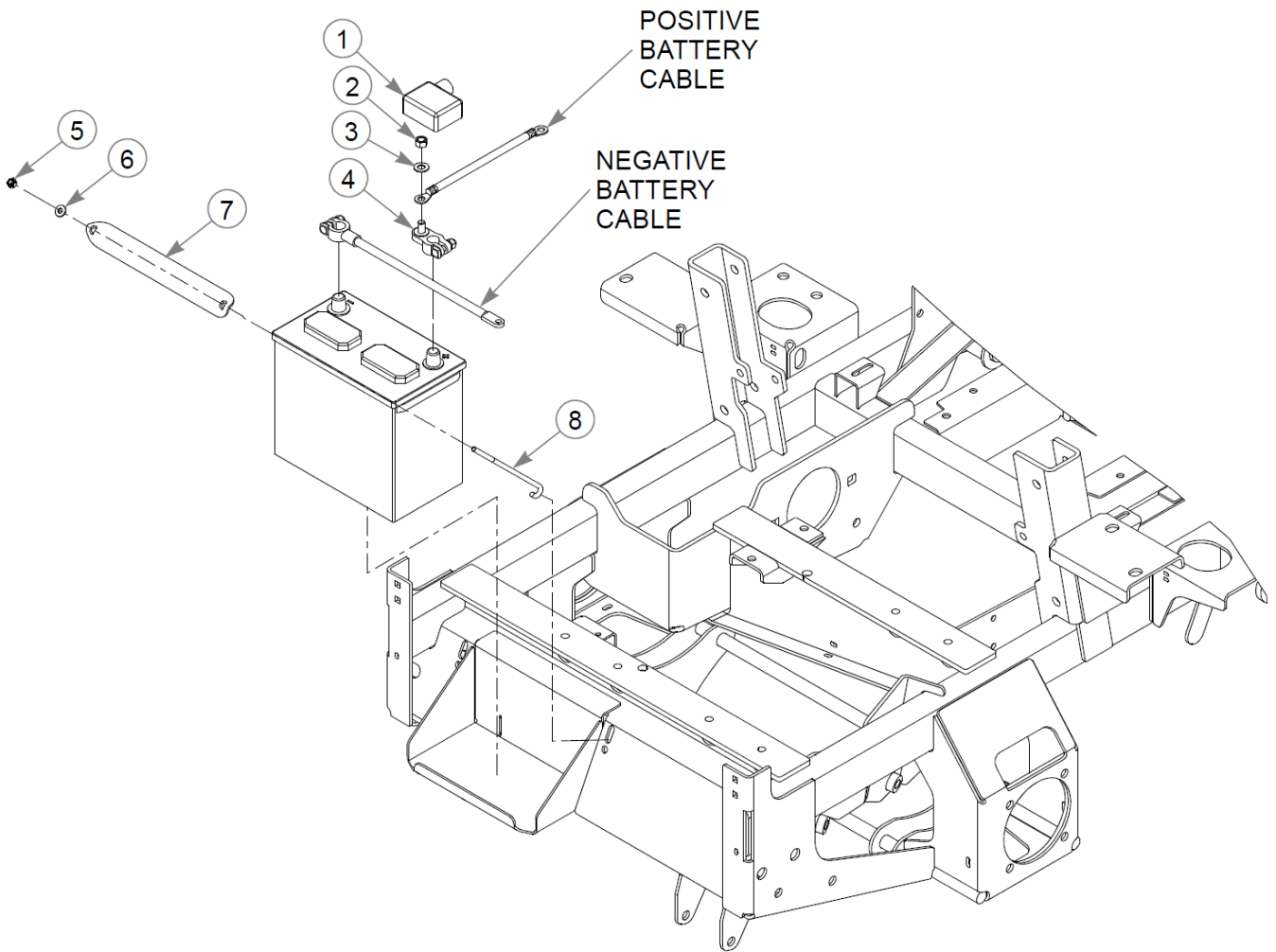
This page intentionally left blank

Instrument Panel & Wire Harness

72" RD Diesel Z Parts Manual - 940486US - HTHDZR072PER403J-11U

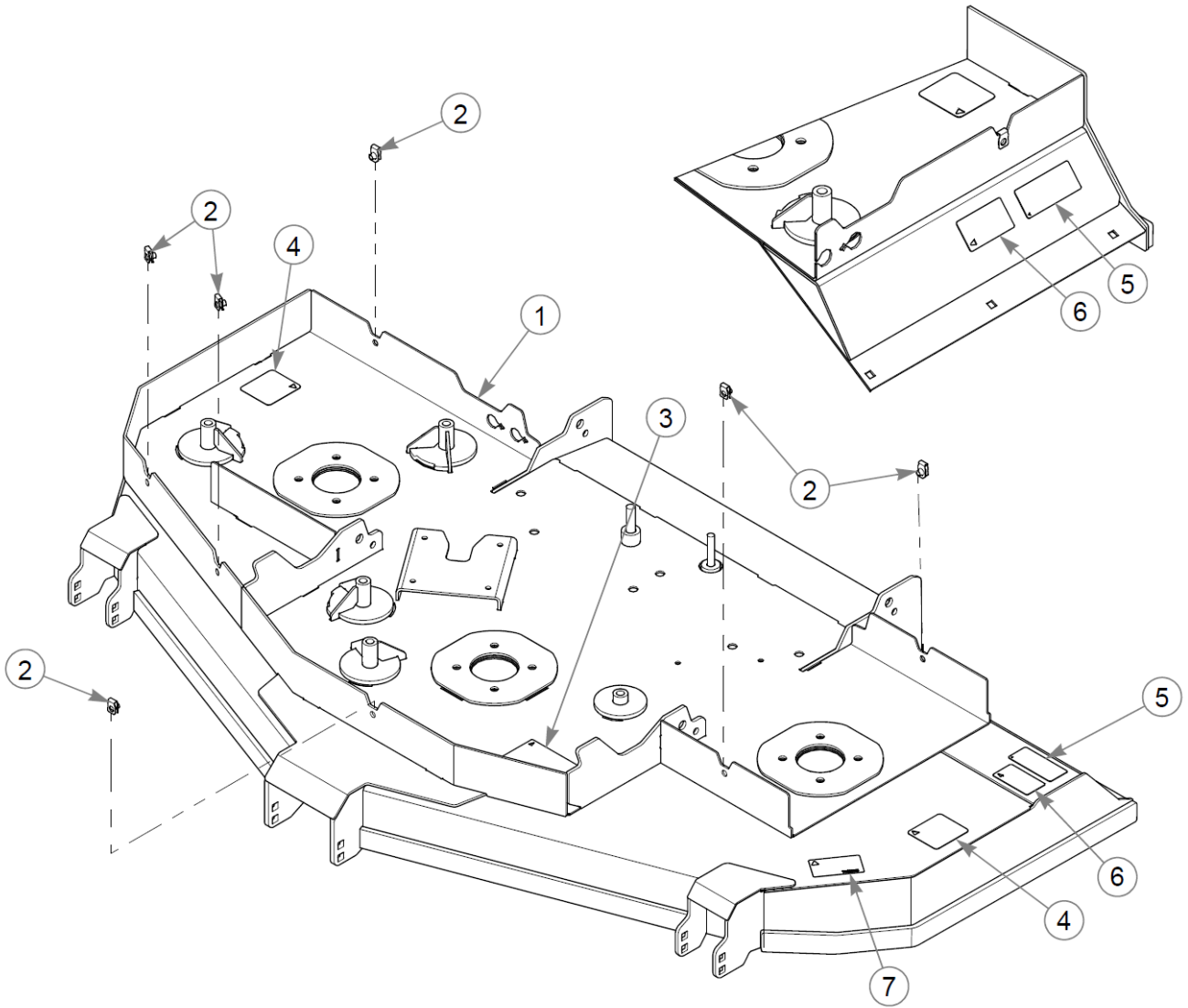
Item	Part No.	Qty	Name
37	000430	3	WIRE TIE, SMALL/LONG
38	114052	1	KIT, CLUTCH CONN. REP.

Battery



Battery

Item	Part No.	Qty	Name
1	601381	1	BOOT, POSITIVE BATTERY
2	054502	1	NT .375-16HXG5
3	767954	1	FW 0.379X.82X.06 HD ZN
4	601380	1	POST, POS BAT MARINE
5	068551	2	NT .250-20 HXZY NL
6	768515	2	FW 0.281SAE
7	109108	1	CLAMP, BATTERY HOLDDOWN
8	793489	2	BATTERY CLAMP ROD
9	000331	1	WIRE TIE, SMALL/SHORT

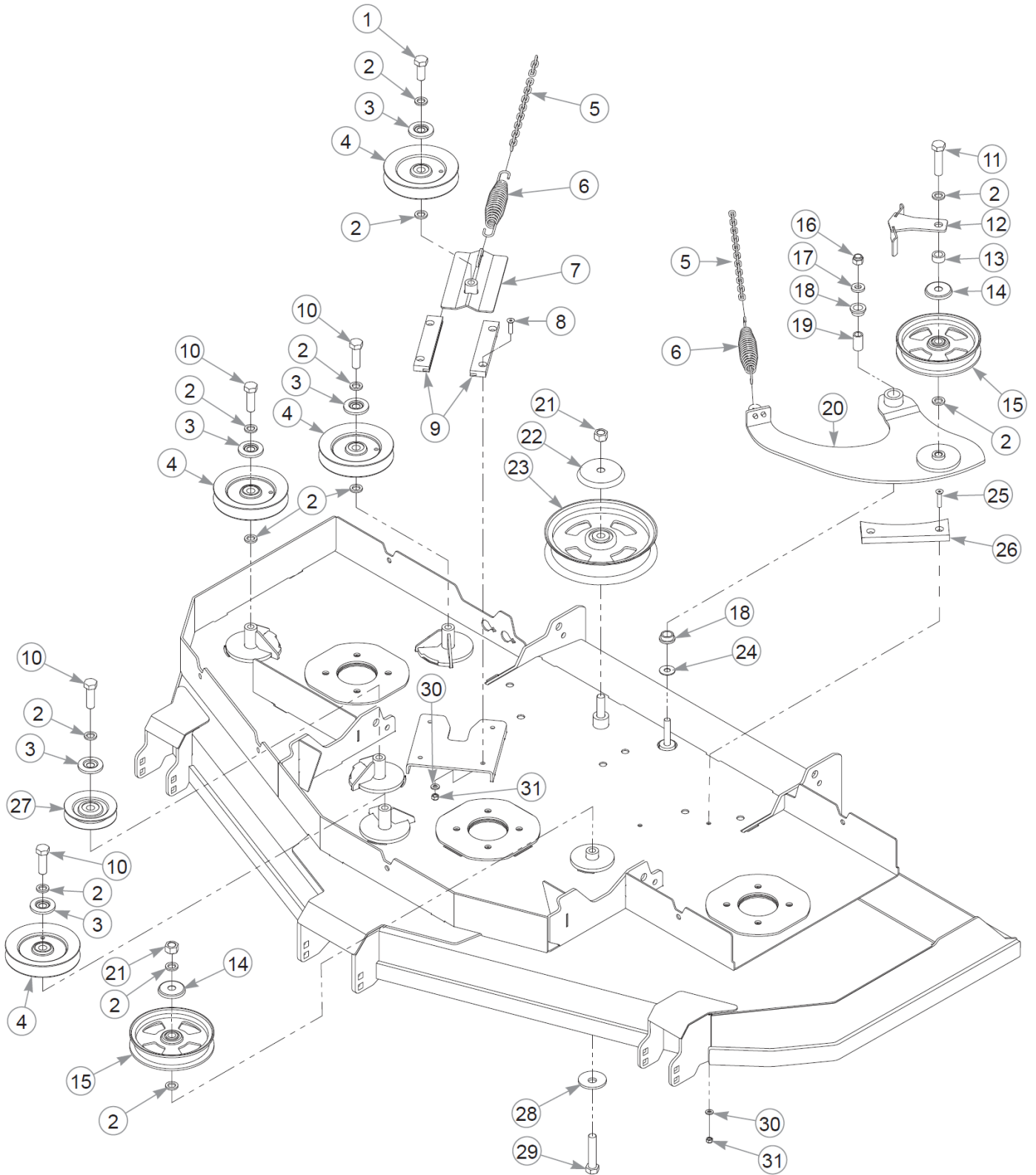


Service Deck

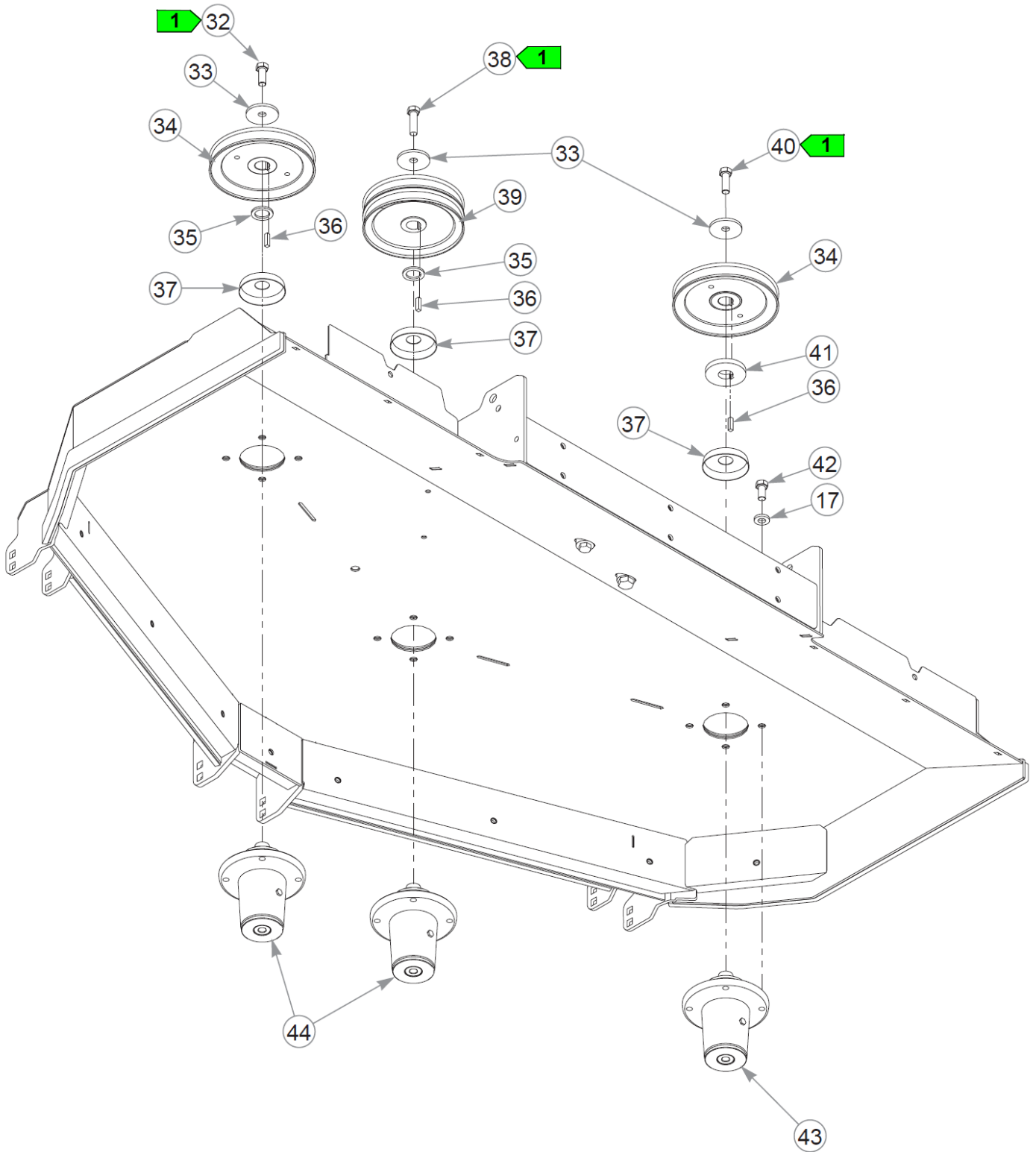
Item	Part No.	Qty	Name
1	554253	1	72" RD SERVICE DECK
2	601069	6	CN .312-18x.200 MAX THK
3	603349	1	DECAL, 2 BELT ROUTING
4	601837	2	DECAL, DECK DANGERS
5	601892	2	DECAL, THROWN OBJECTS
6	603391	2	DECAL, RUBBER FLAP
7	786285	1	DECAL, 72 DECK ID

Comments for Page: Service Deck

1. The deck includes decals and hardware.



This page intentionally left blank



Deck Pulleys & Spindles (Multi-Page)

72" RD Diesel Z Parts Manual - 940486US - HTHDZR072PER403J-11U

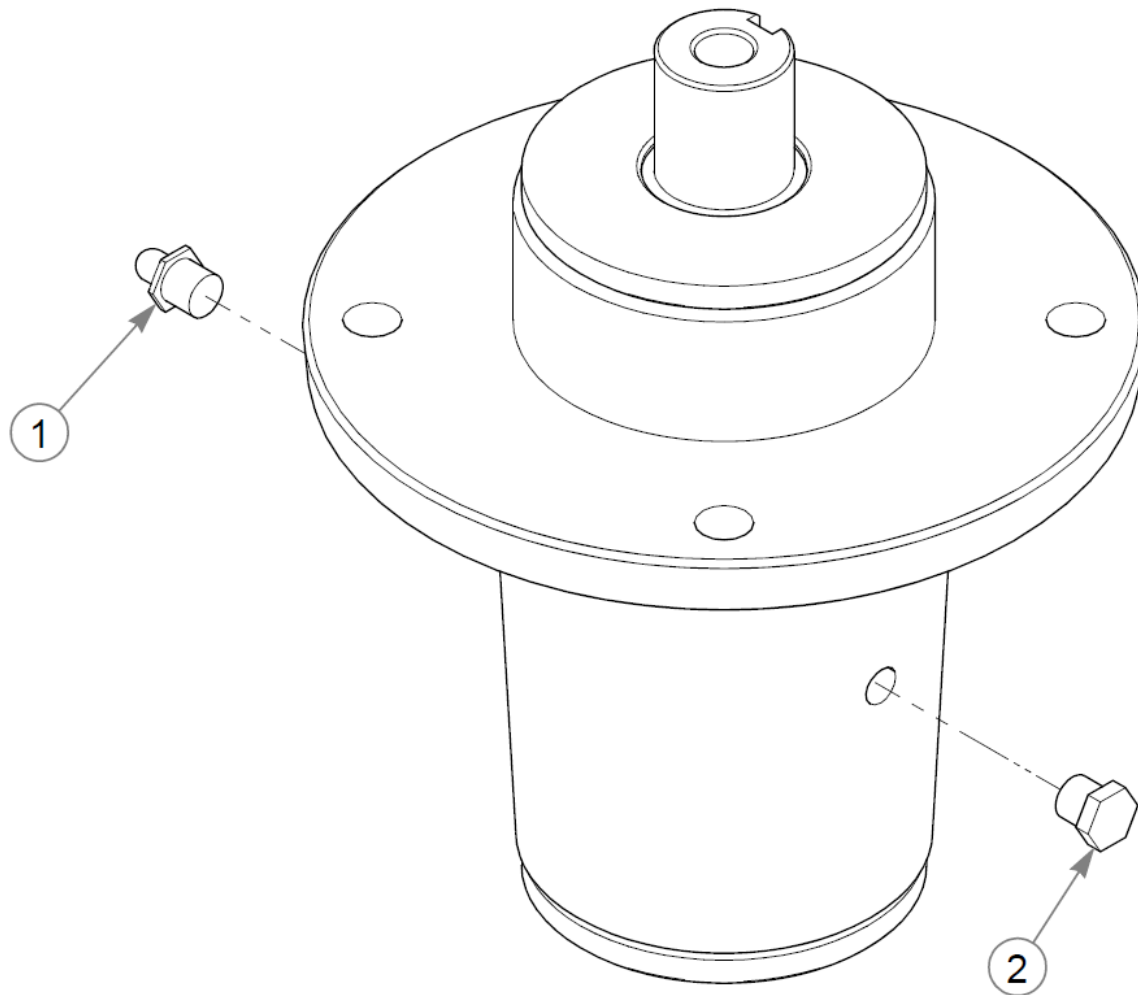
Item	Part No.	Qty	Name
1	794446	1	CS .625-11X1.500HXG5
2	028118	12	FW 0.625X1.00X.13 ZN
3	603057	5	DUST SHIELD W/OFFSET
4	602672	4	PULLEY, V-IDLER HBB 5.0"
5	373191	2	CHAIN, 21 LINK
6	781302	2	IDLER SPRING
7	114105	1	IDLER SLIDE W/A
8	784199	4	CS .312-18X1.250 FLT SH
9	601619	2	IDLER SLIDE UHMW RT & LT
10	016642	4	CS .625-11X2.000HXG5
11	025015	1	CS .625-11X2.500HXG5
12	113088	1	BELT GUIDE, W/A
13	603256	1	SPACER DECK IDLER 1/2"LG
14	608144	2	SHIELD, DUST
15	602821	2	IDLER, 6.0" COMMERCIAL
16	781567	1	NT .500-13NLG5
17	767962	13	FW .531 x 1.063 x .175
18	770867	2	BUSHING, PLAS .750x1(FS)
19	109549	1	BUSHING, IDLER PIVOT
20	114133	1	IDLER ARM W/A, RD DECK
21	016972	2	NT .625-11 HX G5 ZN
22	602963	1	DUST SHIELD, IDLER LG
23	602838	1	IDLER, 8.0" COMMERCIAL
24	704759	1	FW 0.500X1.25X.08 ZN
25	797910	2	CS .312-18x1.50FLT SH ZN
26	601779	1	IDLER GUIDE, UHMW
27	788364	1	IDLER PULLEY, NHI 4.288"
28	782474	1	CW .678 X 2.250 X .187
29	783738	1	CS .625-11X3.000HXG5
30	768523	6	FW 0.343SAE
31	058776	6	NT .312-18NLG5
32	705954	1	CS .500-13X1.25 HX G5 ZN
33	752386	3	CW .515X 2.25X .204 BLK
34	602745	2	PULLEY, DRIVE 7.00 EFF
35	045765	2	FW 1.030X1.50X.13 HD ZN
36	212472	3	KEY 1/4 SQ X 1.00 LG(FS)

This page intentionally left blank

Deck Pulleys & Spindles (Multi-Page)

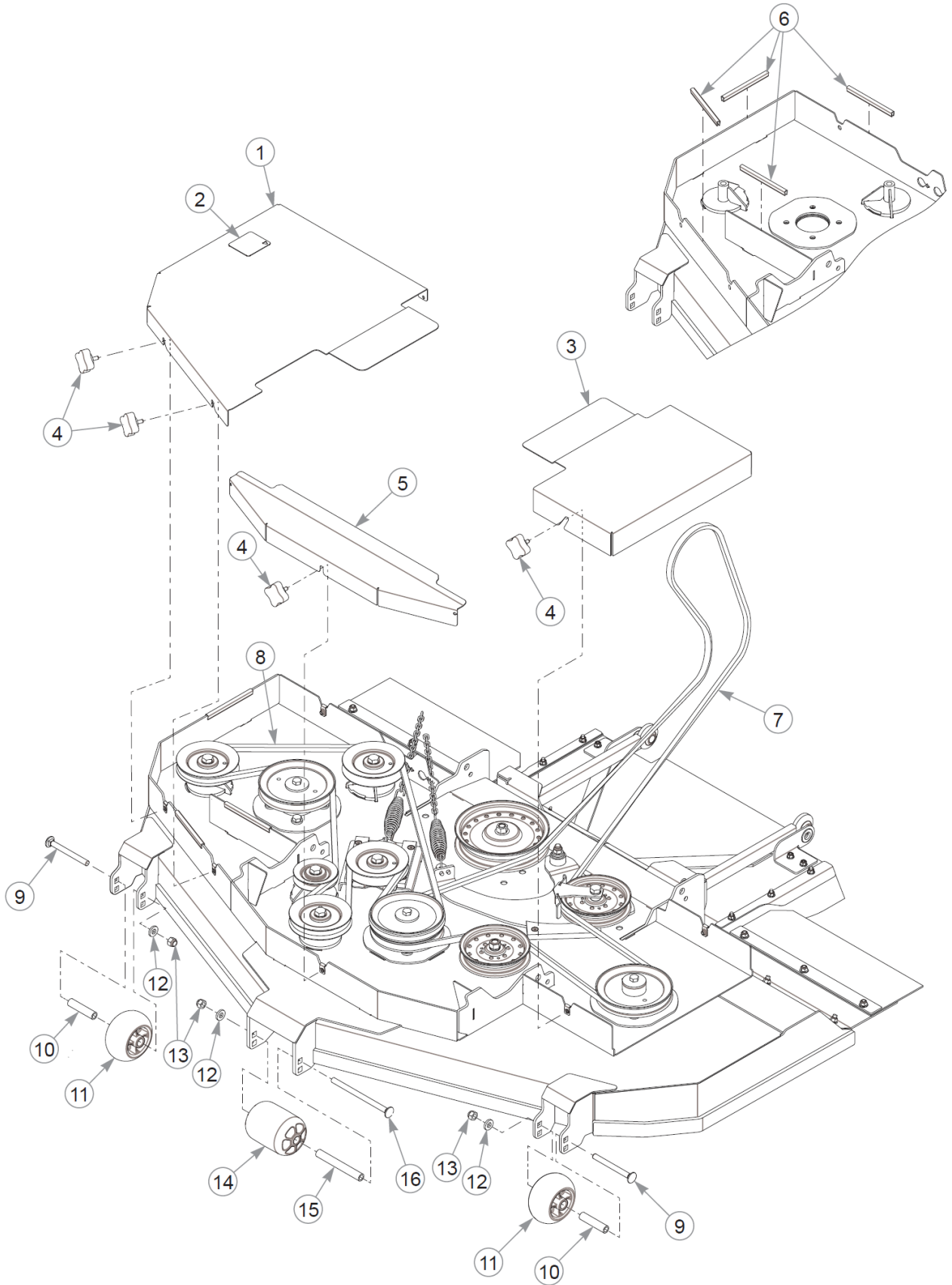
72" RD Diesel Z Parts Manual - 940486US - HTHDZR072PER403J-11U

Item	Part No.	Qty	Name
37	607409-4	3	DUST SHIELD
38	017616	1	CS .500-13X1.750HXG5
39	770388	1	PULLEY, PTED
40	074252	1	CS .500-13X1.50 HX G5 ZN
41	114108	1	SPACER 3/8" THICK
42	016527	12	CS .500-13X1.000HXG5
43	607408	1	SPINDLE ASSY, DUCTILE
44	607407	2	SPINDLE ASSY, DUCTILE

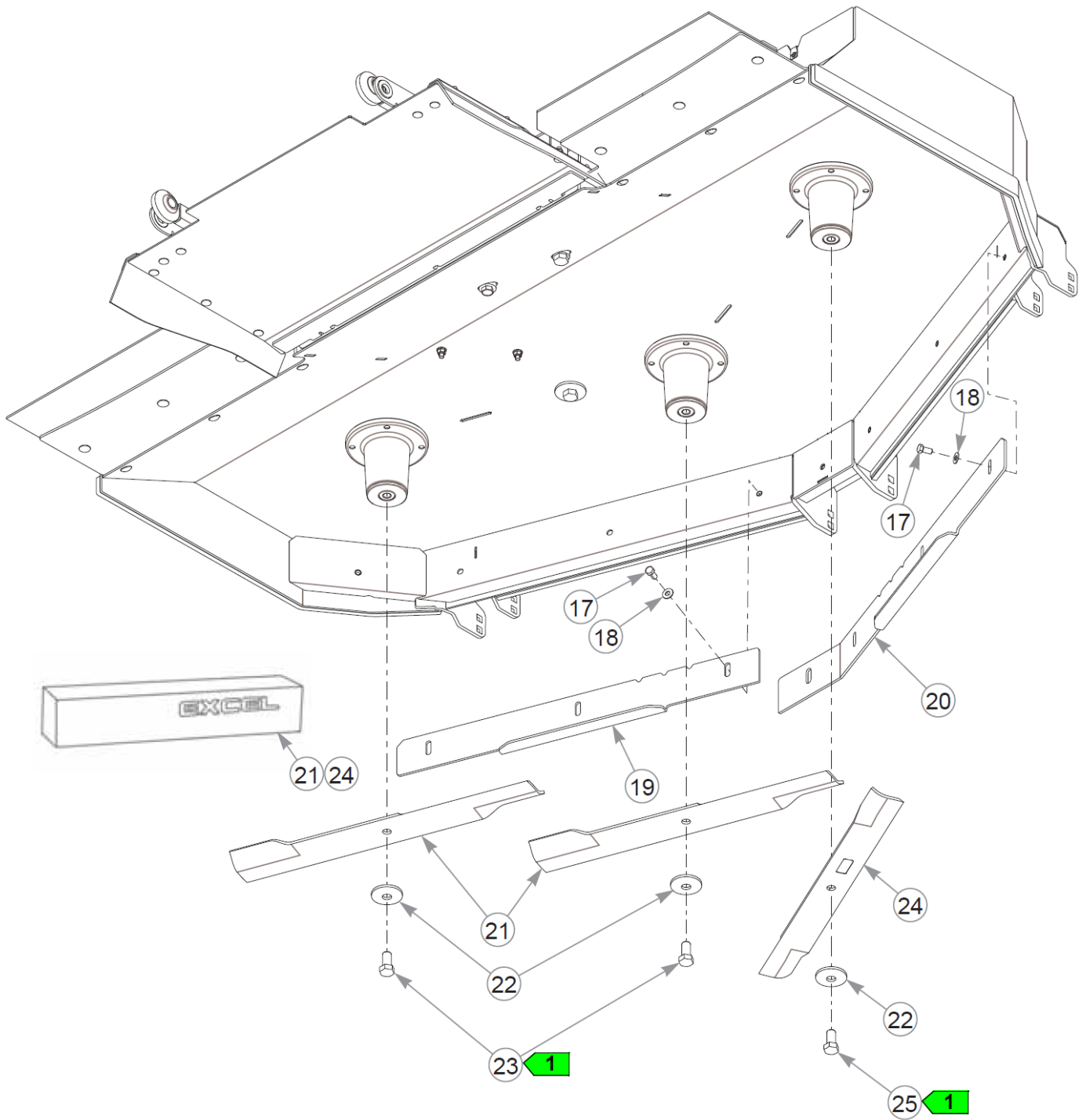


Spindle Assembly Service Parts - 607407 & 607408

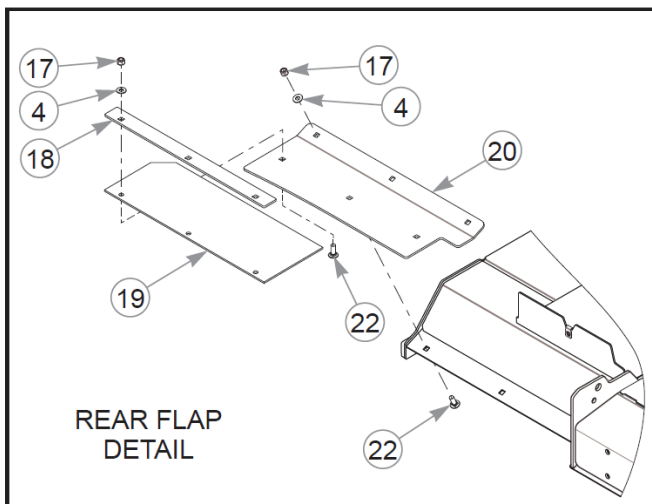
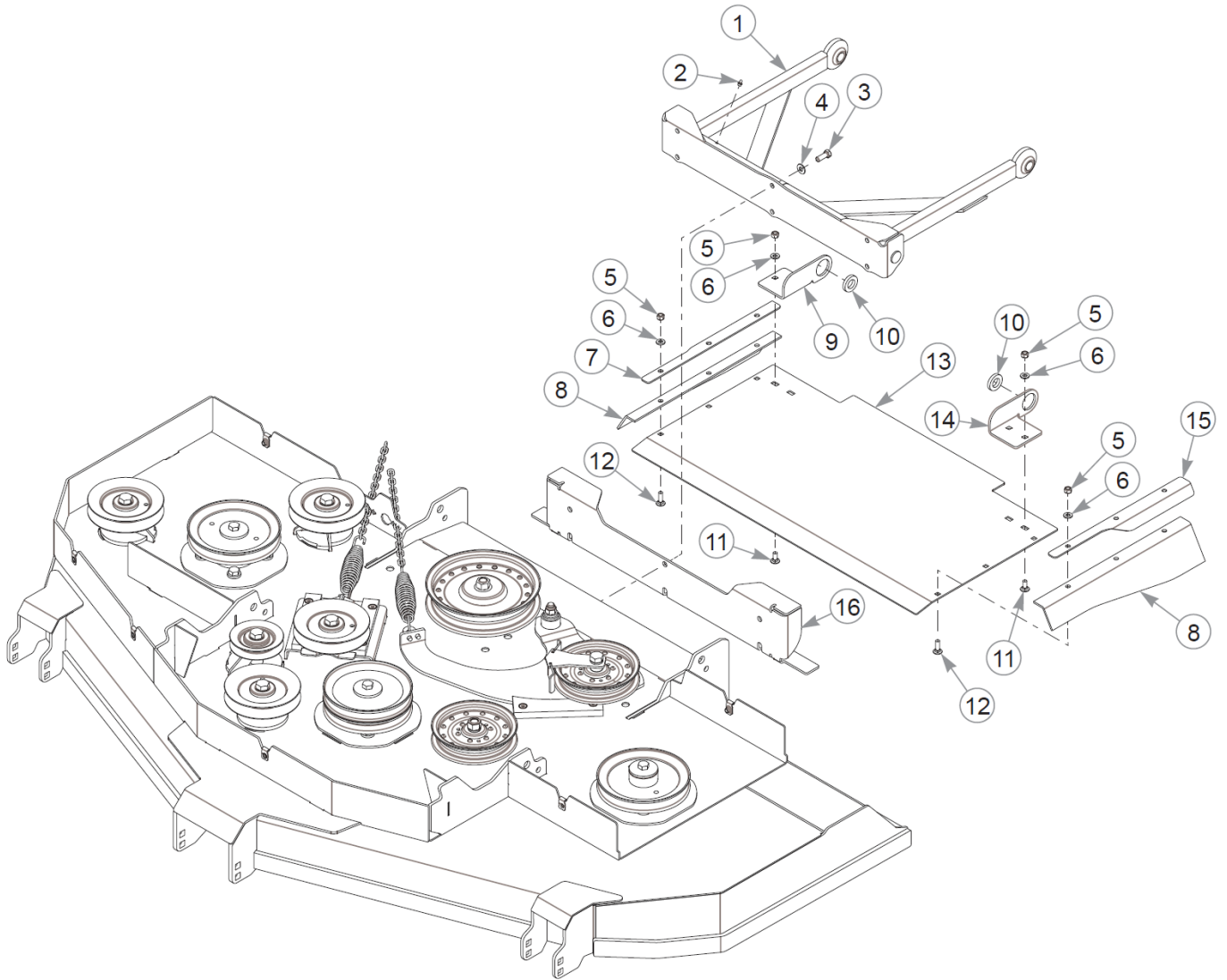
Item	Part No.	Qty	Name
1	607477	1	GREASE ZERK
2	607478	1	RELIEF FITTING



This page intentionally left blank

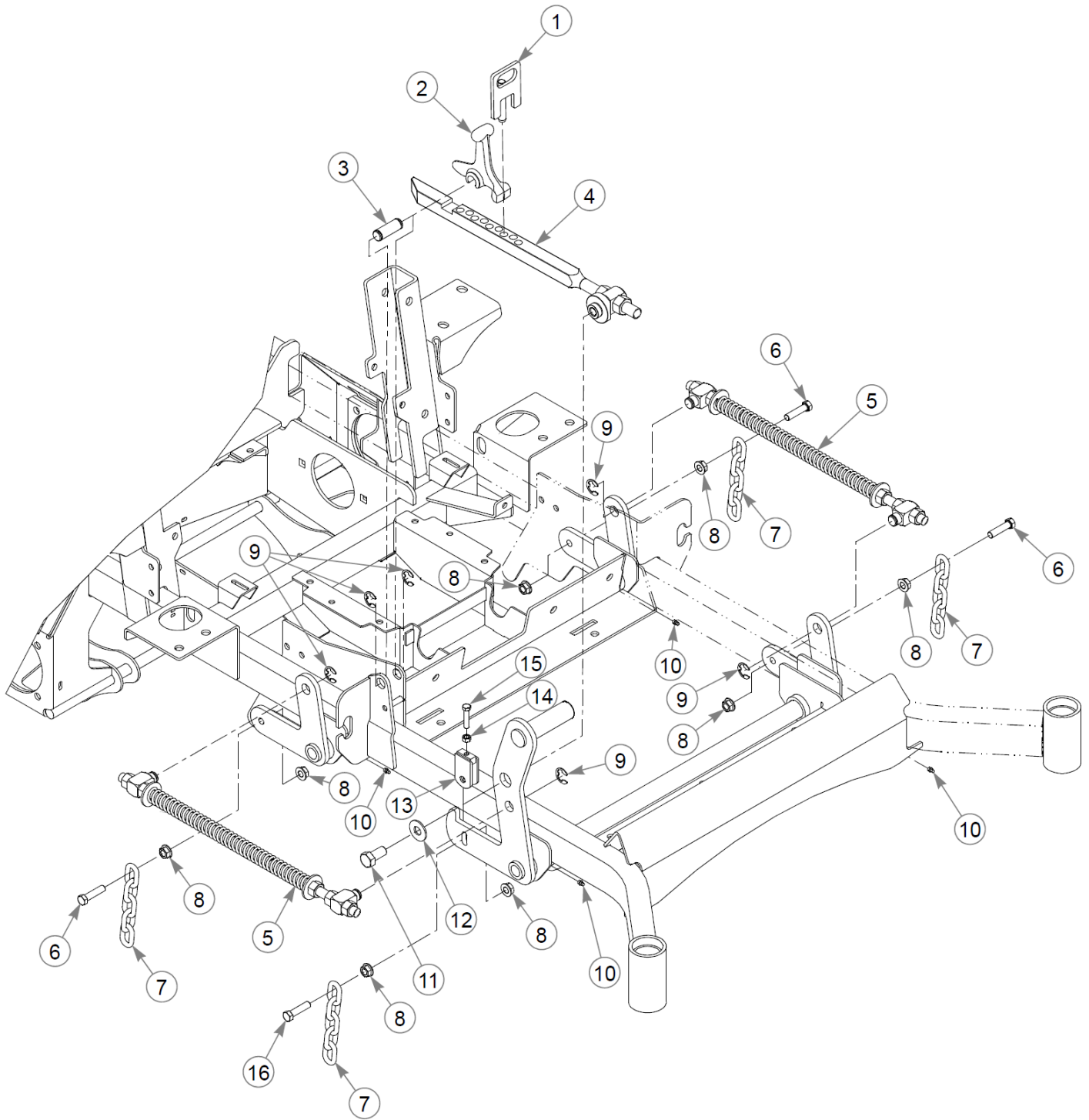


Item	Part No.	Qty	Name
1	554322	1	SVC, PULLEY COVER 72" RD
2	601837	1	DECAL, DECK DANGERS
3	123717-1	1	PULLEY COVER, LS 72"
4	792002	6	KNOB,5/16-18 X 3/4"MALE
5	123719-1	1	PULLEY COVER, CENTER 72"
6	111339	4	TRIM, FLEX 6" LENGTH
7	603522	1	BELT, B-SEC
8	603397	1	BELT, BB-SECTION
9	607288	2	CB .50-13X4.75 STD ZN
10	602345	2	SPACER, ANTI-SCALP 3.22
11	602263	2	WHEEL, ANTI-SCALP
12	767962	3	FW .531 x 1.063 x .175
13	781567	3	NT .500-13NLG5
14	602341	1	WHEEL, ANTI-SCALP
15	602344	1	SPACER, ANTI- SCALP 5.73
16	602338	1	CB .50-13 X 7.50 STD ZN
17	055822	7	CS .375-16X0.75 HX G5 ZN
18	767954	7	FW 0.379X.82X.06 HD ZN
19	114492	1	BAFFLE, ADJUST 72 LS RD
20	114491	1	BAFFLE, ADJUST 72 RS RD
21	796839	2	BLADE, F23.86-L-F-CW
Not Shown	796839X	1	10PK BLADE, F23.86"-L-F-
Not Shown	794867	1	BLADE, 23.86"-GAT-F-CW
Not Shown	794867X	1	10PK BLADE, 23.86"-GAT-F
22	782474	3	CW .678 X 2.250 X .187
23	781872	2	CS .625-11X1.250HXG5
24	796508	1	BLADE, F23.86-L-F-CCW
Not Shown	796508X	1	10PK BLADE, F23.86"-L-F-
Not Shown	601929	1	BLADE, 23.86" GAT-F-CCW
Not Shown	601929X	1	10PK BLADE, 23.86"-GAT-F
25	604383	1	CS .625-11X1.250 G5 LHT

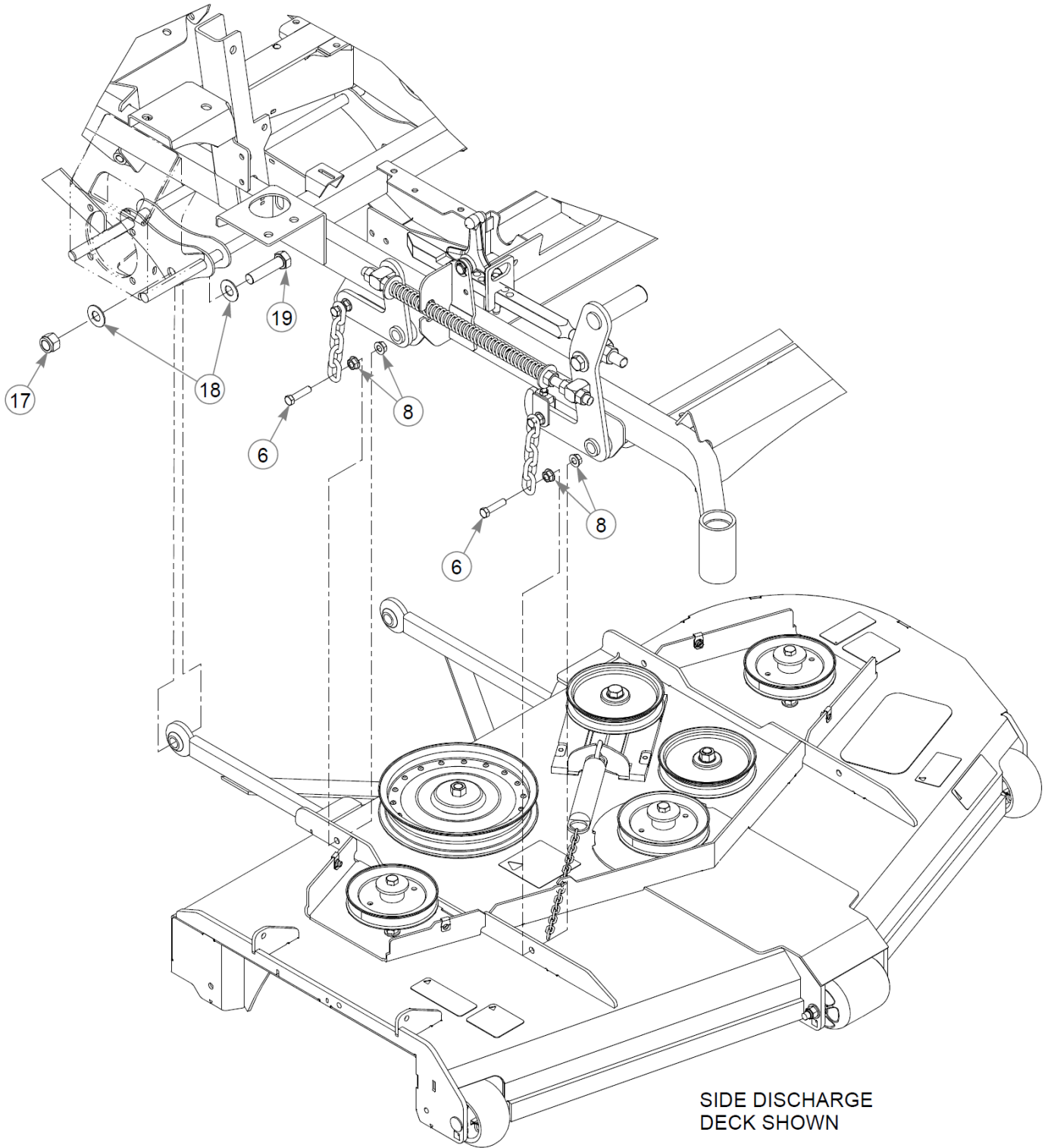


Deck Shield

Item	Part No.	Qty	Name
1	113340	1	PUSHER W/A, HZ/SZ
2	015495	2	GREASE FITTING STRAIGHT
3	036244	6	CS .375-16X1.00 HX G5 ZN
4	767954	18	FW 0.379X.82X.06 HD ZN
5	058776	10	NT .312-18NLG5
6	768523	10	FW 0.343SAE
7	109487	1	CLAMP ANGLE RS
8	601483	2	SIDE FLAP, RUBBER
9	109483	1	CHUTE BRACKET
10	778399	2	FW .781X1.38X.25 ZN
11	016253	4	CB .312-18X .750 FUL ZN
12	037887	6	CB .312-18X 1.000 FUL ZN
13	115533	1	SHIELD, DISCHARGE RD
14	109482	1	CHUTE BRACKET
15	109486	1	CLAMP ANGLE LS
16	114522	1	STOP, REAR DECK W/A
17	086660	12	NT .375-16NLG8
18	110473	2	CLAMP BRACKET
19	601697	2	RUBBER DISCHARGE FLAP
20	110472	1	EXTENSTION BRACKET, LH72
21	110471	1	EXTENSION BRACKET,RH 72"
22	025395	12	CB .375-16X 1.00 G5 ZN



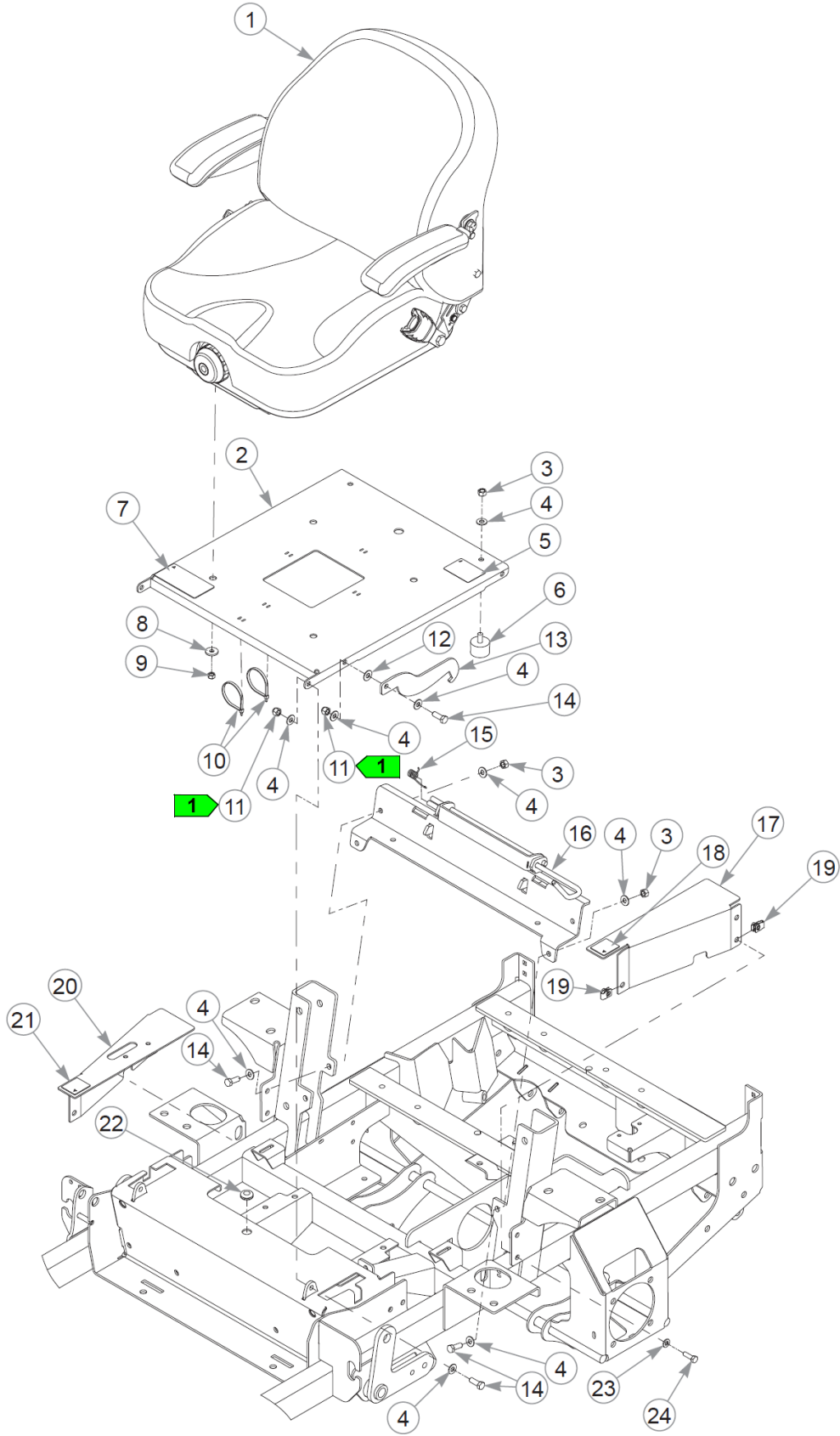
This page intentionally left blank



Deck Lift & Mounting Hardware (Multi-Page)

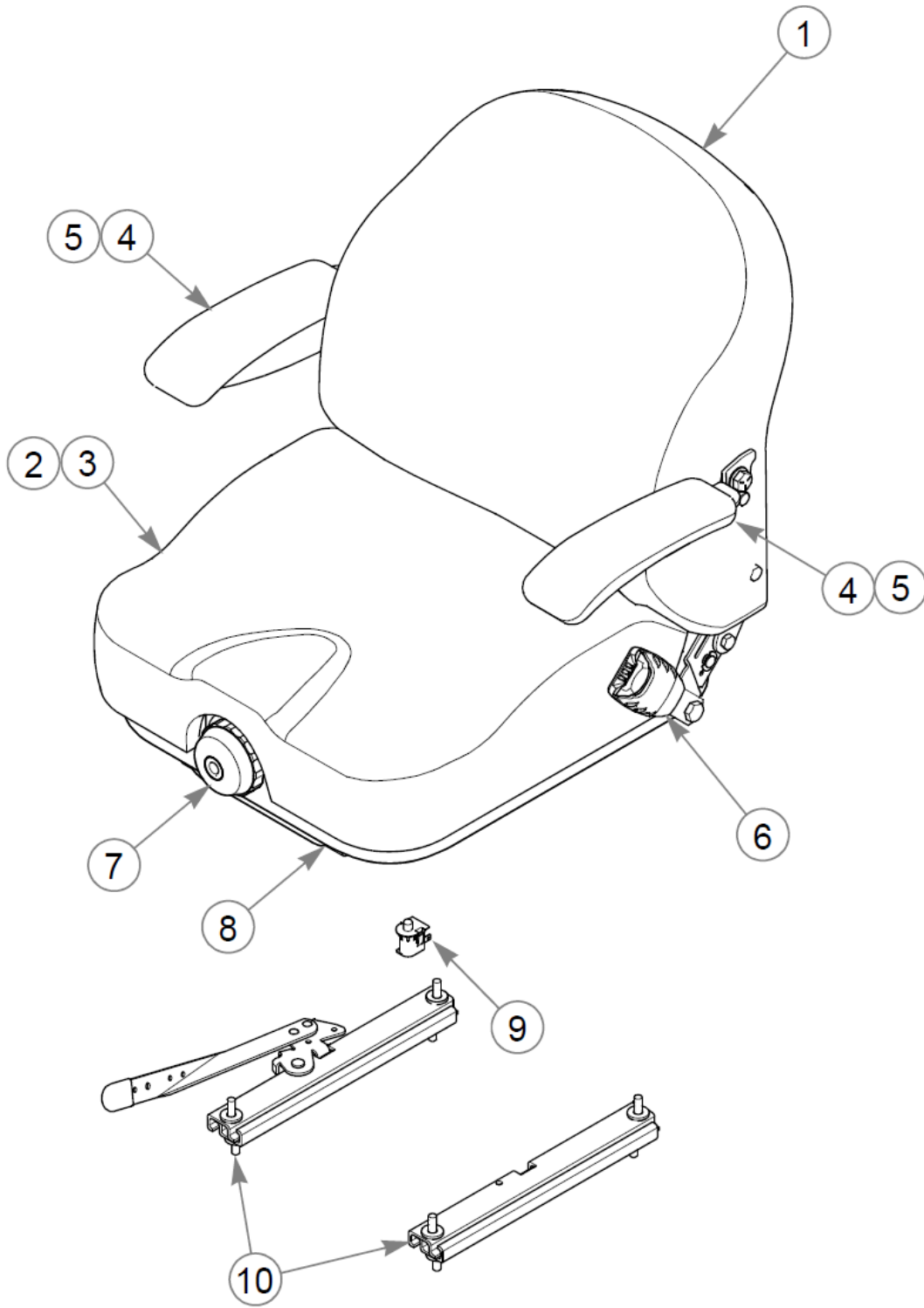
72" RD Diesel Z Parts Manual - 940486US - HTHDZR072PER403J-11U

Item	Part No.	Qty	Name
1	600437	1	PIN, DECK HEIGHT W/A
2	348318	1	HANDLE, STOP
3	781229	1	CE .750X2.25 X1.75 HEAD
4	602898	1	DECK LIFT
5	603184	2	DECK LIFT SPRING S/A
6	055749	7	CS .437-14X1.750HXG5
7	348391	4	CHAIN, DECK LIFT
8	704643	16	NT .437-14FLKG5
9	781294	6	CLIP E, 1.00 X.625X .05
10	015495	4	GREASE FITTING STRAIGHT
11	781872	1	CS .625-11X1.250HXG5
12	704783	1	FW 0.625X1.500X0.105
13	348458	1	YOKE W/A, DECK LEVELER
14	034272	1	NT .312-18HXG5
15	756270	1	CS .312-18X1.500HXG5
16	781831	1	CS .437-14x1.75 FULTHG5
17	061101	2	NT .750-10 HX ZN NL GR B
18	025296	4	FW .760X1.63X0.08 ZN
19	789115	2	CS .750-10X3.500HXG5



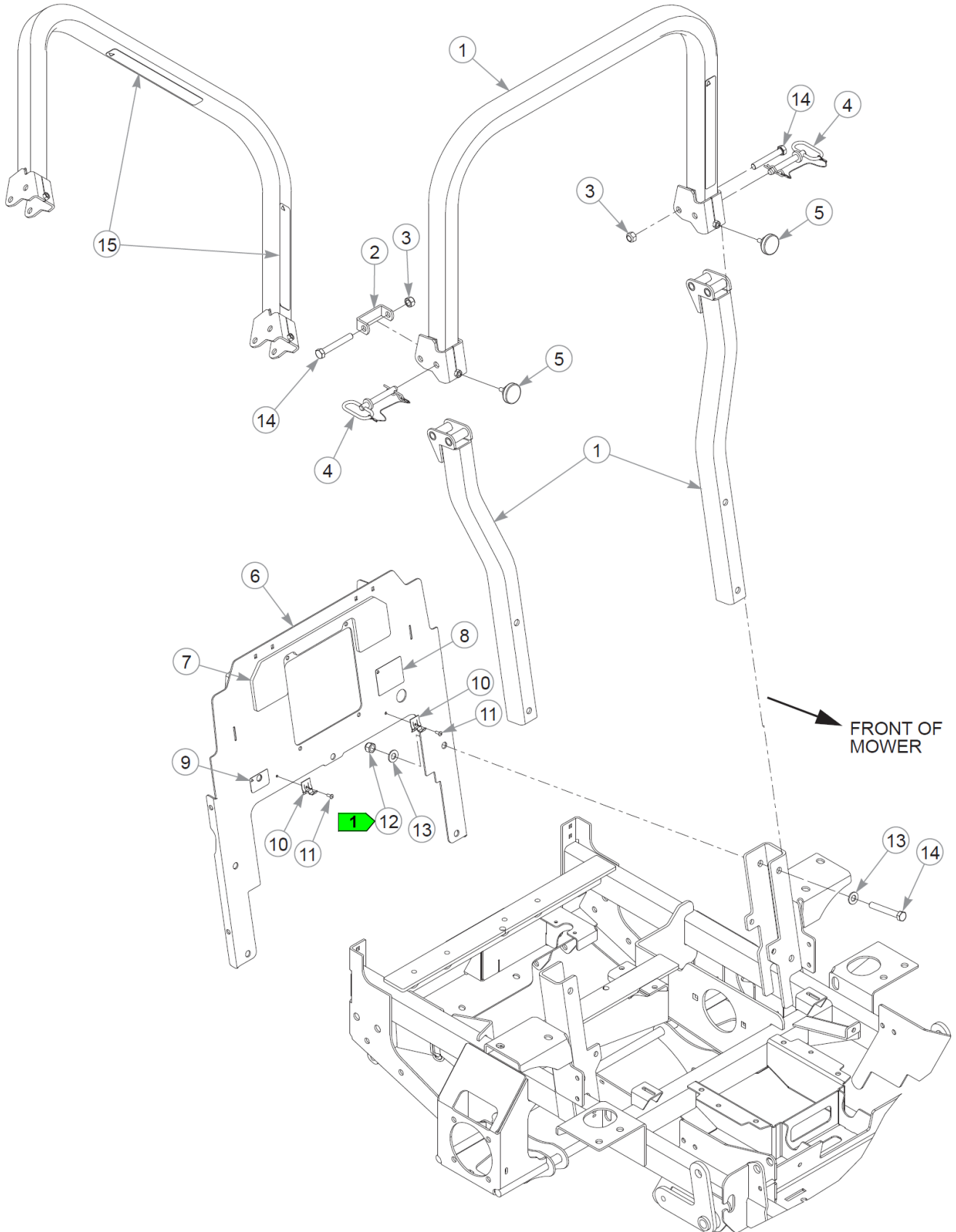
Seat

Item	Part No.	Qty	Name
1	607706	1	SEAT, I3M SEATS INC
2	551136	1	SEAT PAN, SERVICE
3	054502	6	NT .375-16HXG5
4	767954	16	FW 0.379X.82X.06 HD ZN
5	785188	1	DECAL, Z ARMREST WARNING
6	601650	2	VIBRATION MOUNT 70DURO
7	600899	1	DECAL, PUMP BELT WARNING
8	712927	4	FW 0.344X1.00X.12 HD ZN
9	058776	4	NT .312-18NLG5
10	000331	2	WIRE TIE, SMALL/SHORT
11	086660	3	NT .375-16NLG8
12	724716	1	WASHER, FIBER (FS)
13	350421	1	SEAT PAN STOP (PLATED)
14	036244	7	CS .375-16X1.00 HX G5 ZN
15	795583	1	SPRING,TORSION - DIESEL
16	109684	1	SEAT CATCH W/A
17	551138	1	LH FRAME COVER, SERVICE
18	785139	1	DECAL, STEERING L.S.
19	601069	6	CN .312-18x.200 MAX THK
20	551137	1	RH FRAME COVER, SERVICE
21	785220	1	DECAL, STEERING R.S.
22	080358	1	GM .50X1.00X.75X.12
23	768523	6	FW 0.343SAE
24	036236	6	CS .312-18X1.000HXG5



Seat Service Parts - 607706

Item	Part No.	Qty	Name
Not Shown	607706	1	SEAT, I3M SEATS INC
1	607707	1	SVC, SEAT BACK COVER
2	608351	1	SVC, SEAT FOAM I3M
3	607708	1	SVC, SEAT CUSHION COVER
4	607166	1	SVC, ARM REST KIT
5	606081	2	SVC, ARM PADS
6	607207	1	SVC, SEAT BELT
7	607206	1	SVC, KNOB KIT
8	607205	1	SVC, BELLOWS
9	606082	1	SVC, OPS
10	607204	1	SVC, TRACK KIT



ROPS & Firewall

Item	Part No.	Qty	Name
1	603473	1	KIT, ROPS HDZ
2	601472	1	ROPS STOP
3	023317	2	NT .500-13UNTG8
4	601471	2	LYNCH PIN W/ LANYARD
5	601470	2	KNOB, HAND FOR ROPS
6	555901	1	SVC, HDZ FIREWALL
7	601559	1	SEAT PAD, FIREWALL
8	601377	1	DECAL, CHECK ENG OIL
9	601246	1	DECAL, FUEL VALVE HDZ
10	010306	2	LUDWIG SNAP FASTNER A-1
11	601089	2	RIVET .188 DIA BLK HD
12	781567	4	NT .500-13NLG5
13	767962	8	FW .531 x 1.063 x .175
14	061812	6	CS .500-13X3.50 HX G5 ZN
15	601635	2	DECAL, ROP'S