

Hustler® Parts Manual



HUSTLER®
TURF EQUIPMENT

200 South Ridge Road

Hesston, Kansas

67062



NOTICE OF REQUIREMENT OF SPARK ARRESTER MUFFLER

This equipment may create sparks that can start fires around dry vegetation. California Public Resources Code Section 4442.6 provides that it is unlawful to use or operate an internal combustion engine on any forest-covered, brush-covered, or grass-covered land unless the engine is equipped with a spark arrester maintained in effective working order. A spark arrester is a device constructed of nonflammable materials specifically for the purpose of removing and retaining carbon and other flammable particles over 0.0232 of an inch in size from the exhaust flow of an internal combustion engine that uses hydrocarbon fuels or which is qualified and rated by the United States Forest Service. Other states or federal areas may have similar laws. The Operator Should Contact Local Fire Agencies For Laws or Regulations Relating to Fire Prevention Requirements. **THIS EQUIPMENT DOES NOT HAVE A SPARK ARRESTER AND YOU SHOULD CONTACT YOUR AUTHORIZED DEALER FOR THE PURCHASE OF A SPARK ARRESTER.**

Inspect spark arrester daily; replace every 500 hours or as needed.

The Engine Owner's Manual provides information regarding the U.S. Environmental Protection Agency (EPA) and the California Emission Control Regulation of emission systems, maintenance and warranty.

Keep Engine Owner's Manual with your unit. Should the Engine Owner's Manual become damaged or illegible, replace immediately. Replacements may be ordered per the information found in the Product Information section of the owner's manual.

Federal law and California State law prohibit the following acts or the causing thereof:

1. The removal or rendering inoperative by any person other than for purposes of maintenance, repair, replacement, of any device or element of design incorporated into any equipment for the purposes of emissions control prior to or after its sales or delivery to the ultimate purchaser or while it is in use, or
2. The use of the equipment after such device or element of design has been removed or rendered inoperative by any person.

General Information	1
Frame & Engine Guard	
Frame	3-1
Engine Guard	3-2
Transmissions, Drive Belt, Steering & Brake	
Transmissions & Drive Belt	4-1
Transmission Service Parts	4-2
Steering	4-3
Steering Cover Assembly (Multi-Page)	4-4
Left Steering Box Assembly	4-5
Right Steering Box Assembly	4-6
Brake	4-7
Wheels & Tires	
Wheels & Tires	5-1
Front Wheel Assembly	5-2
Drive Wheel Assembly	5-3
Engine, Muffler, Clutch & Fuel System	
Engine, Muffler & Clutch (Multi-Page)	6-1
Engine Service Parts - FX850V	6-2
Fuel System	6-3
LS Fuel Tank Service Parts - 607876	6-4
RS Fuel Tank Service Parts - 607877	6-5
Instrument Panel, Wire Harness & Battery	
Instrument Panel & Wire Harness	7-1
Battery	7-2
Deck, Deck Belt, Blades & Deck Lift	
Service Deck	8-1
Deck Pulleys & Spindles - S/N 20100268 & HIGHER	8-2
Deck Pulleys & Spindles - S/N PRIOR TO 20100268	8-3
Spindle Assembly Service Parts - 607407	8-4
Deck, Deck Belt & Blades (Multi-Page)	8-5
Deck Lift & Deck Height (Multi-Page)	8-6
Seat & ROPS	
Seat & Floor Pan	9-1
Seat Service Parts - 607706	9-2
ROPS	9-3

General Information

Note: When ordering parts, you must use the part number as shown for each part, not the index number. Always give the model and serial number to your parts and service representative.

Note: Items sold in bulk such as seals and hoses are sold by the foot.

Using This Manual

This manual is part of a service package for the Hustler® mowers. Use of this manual in conjunction with other Hustler® mower and component manuals will provide the information necessary to service and maintain Hustler® mowers.

This Parts Manual provides a complete parts listing for the unit. Use this manual when ordering parts. Illustrations used were current at the time of printing, but subsequent production changes may cause your machine to vary slightly in detail. Excel Industries, Inc. reserves the right to redesign and change the machine as deemed necessary, without notification. If a change has been made to your machine which is not reflected in this parts manual, see your authorized dealer for current information and parts.

The Service Manual is a service guide for use by Service Technicians. It provides the necessary information needed to perform normal maintenance requirements on these units.

The Operator's Manual provides fundamental operational information and operational safety that is needed when operating the mower.

The component manuals are furnished by the various manufacturers to be used for the troubleshooting and servicing of their products.

Hardware Description Codes & Abbreviations

The following codes are used throughout this parts manual. Refer to this list when ordering parts.

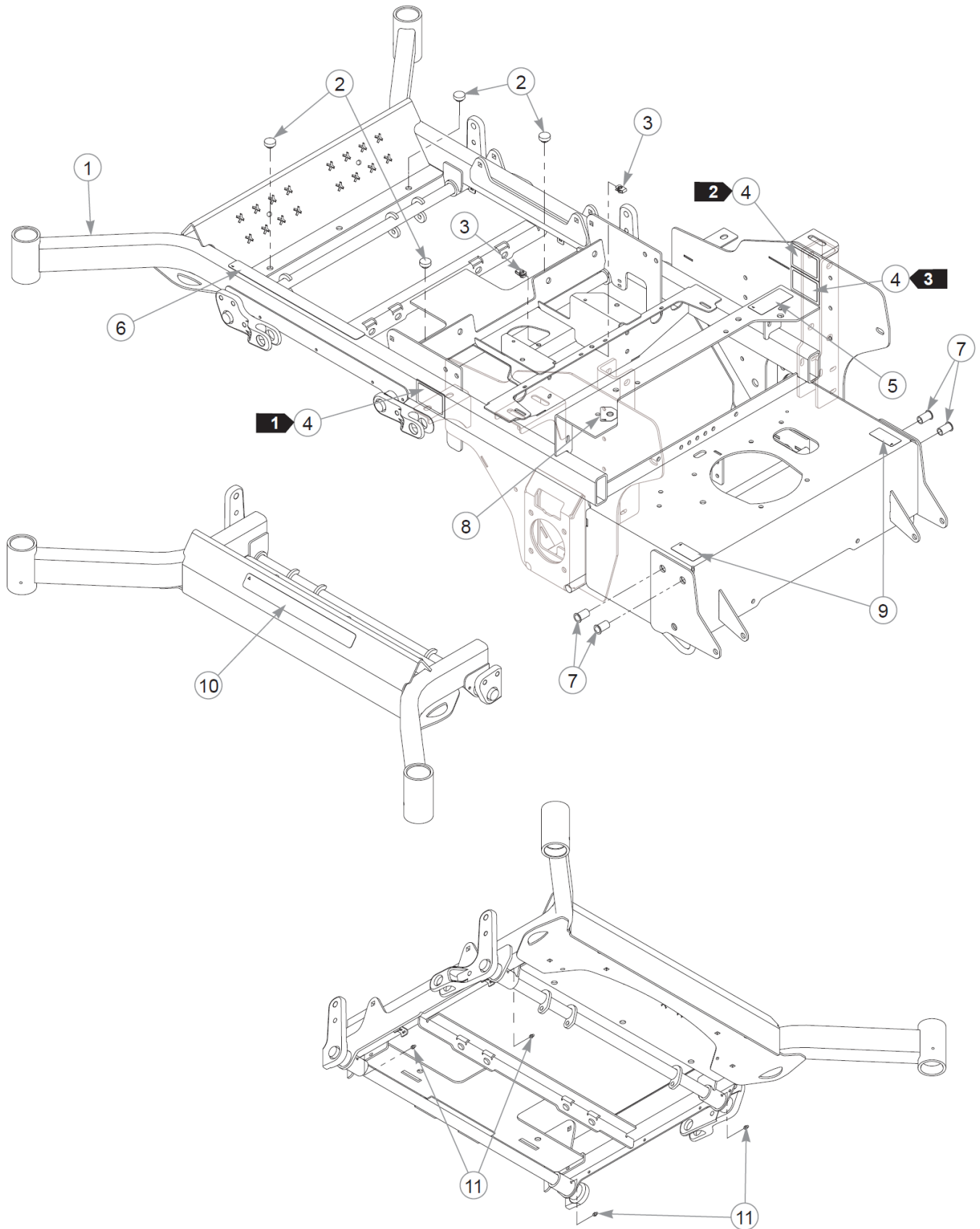
ABBREVIATION	DESCRIPTION	ABBREVIATION	DESCRIPTION
CB	CARRIAGE BOLT	MB	MACHINE BUSHING
CE	CLEVIS PIN	MS	MACHINE SCREW
CN	CLIP NUT	NT	NUT
CP	COTTER PIN	SC	SELF TAPPING CAP SCREW
CS	CAP SCREW	SH	SOCKET HEAD
CW	CUP WASHER	SB	SHOULDER BOLT
FDRW	FENDER WASHER	SS	SET SCREW
FW	FLAT WASHER	OD	OUTSIDE DIAMETER
HX	HEX HEAD	ID	INSIDE DIAMETER
LW	LOCK WASHER	WN	WELD NUT

Standard Torques

The following chart lists the standard torque values for the threaded fasteners found in this manual. Torque all cap screws, nuts and set screws to these values unless a different torque is shown in the Notes section next to the fastener.

SIZE	FT-LBS	N•M	SIZE	FT-LBS	N•M
.250	8.2	11.1	M3	1	1.3
.312	17	23	M4	2.2	3
.375	30	40	M5	4.5	6.1
.438	48	65	M6	7.7	10.4
.500	73	99	M8	18.5	25
.562	105	143	M10	37	50
.625	145	200	M12	64	87
.750	260	350	M14	80	108.5
.875	420	565	M16	160	215
1.00	625	850	M20	320	435
			M24	555	750

This page intentionally left blank

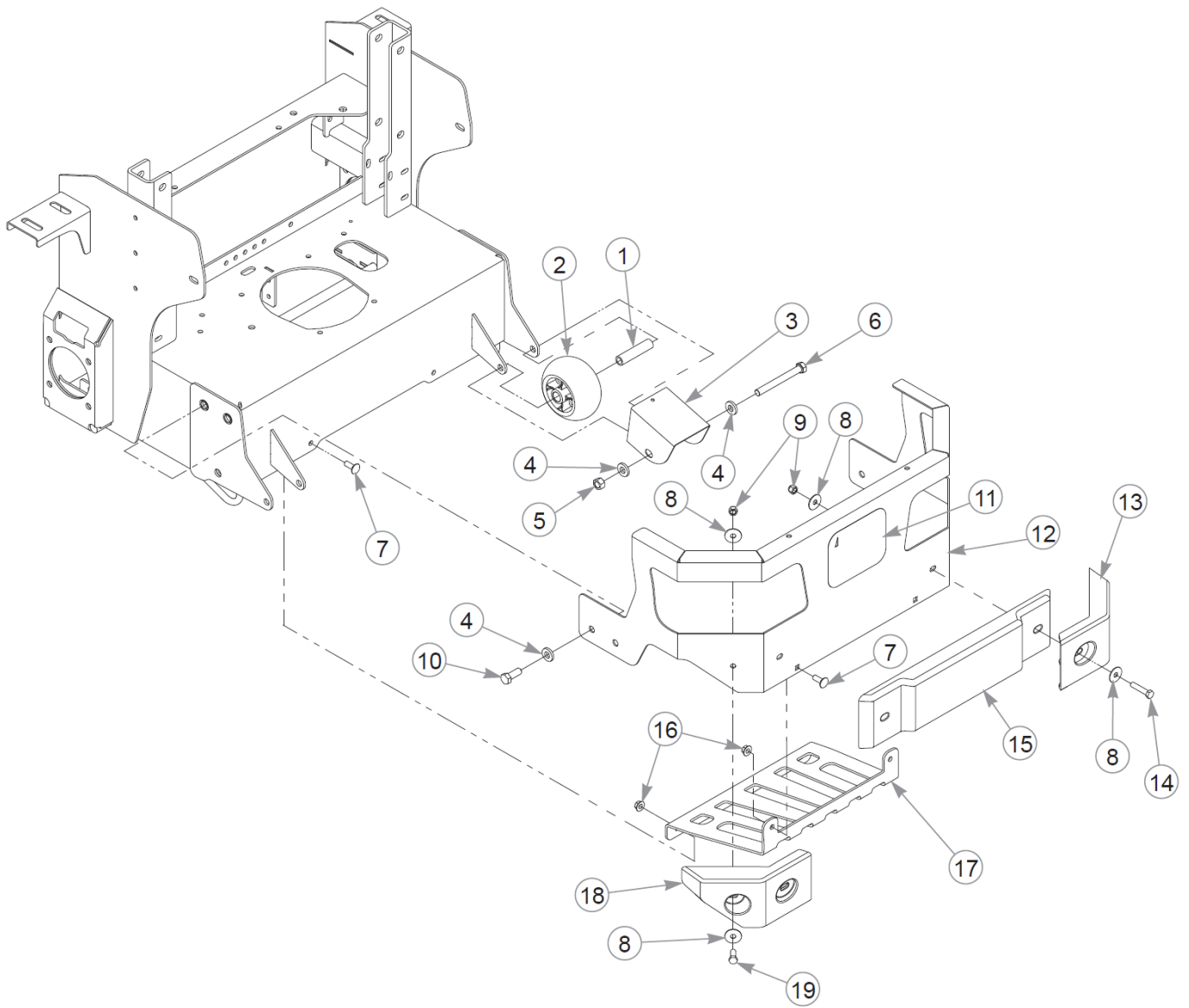


Frame

Item	Part No.	Qty	Name
1	555331	1	SVC FRAME
2	781880	4	BUMPER, .500x 1.00x .31
3	601982	2	CN .250-20X .150 MAX THK
4	N/A	3	SERIAL NUMBER / SPEC DECAL
5	601967	1	DECAL, ENGINE COMPART
6	601993	1	DECAL, SAFE OPERATION
7	600961	4	RIVET NUT, 1/2-13 THREAD
8	791848	1	DECAL, FUEL INDICATOR- M
9	602041	2	DECAL, HOT
10	602407	1	DECAL, HUSTLER ID
11	015495	4	GREASE FITTING STRAIGHT

Comments for Page: Frame

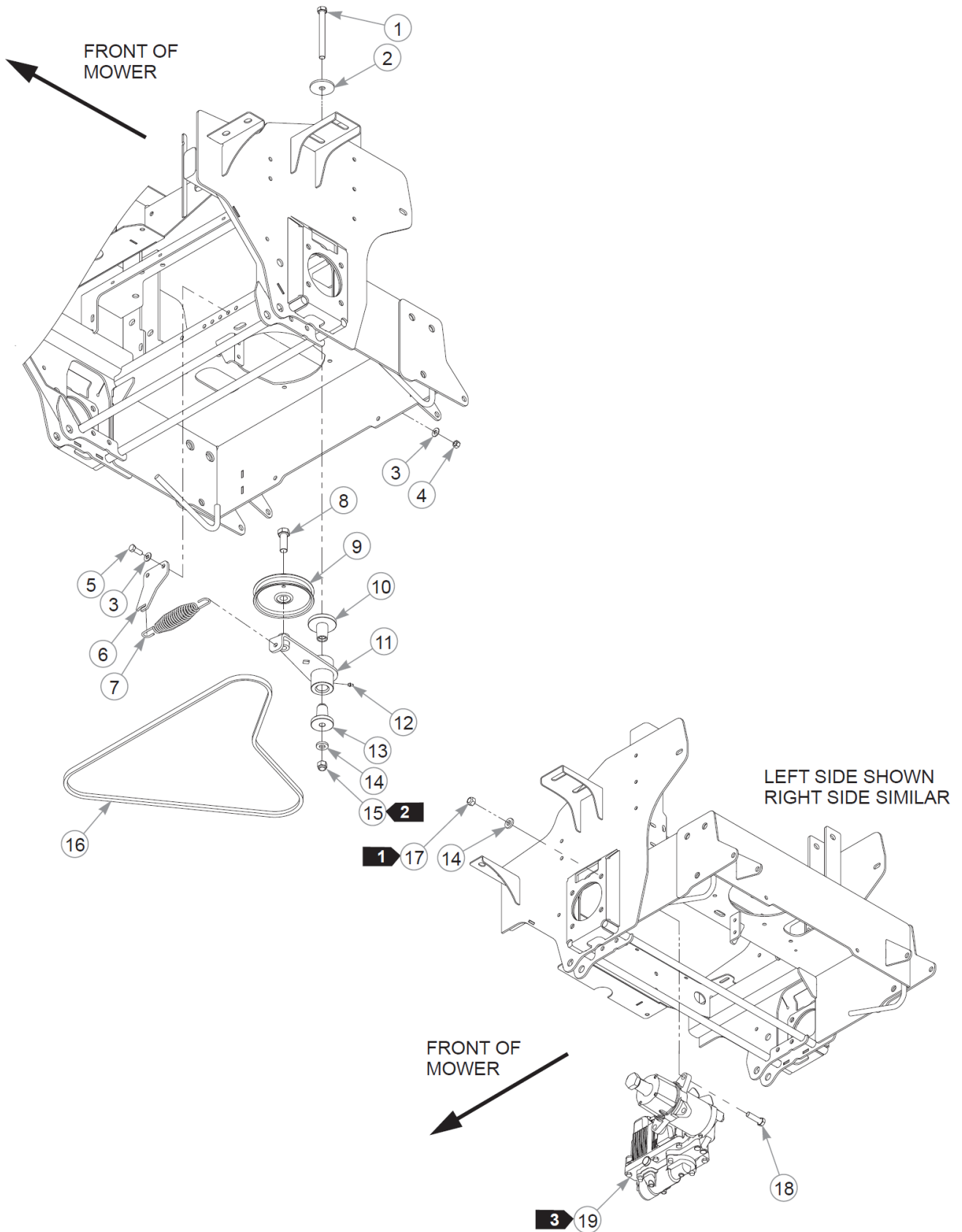
1. Serial number decal. In the event the serial number decal becomes damaged or illegible, please contact your dealer to order a replacement.
2. EPA compliance decal.
3. Patent numbers decal.
4. The frame includes the decals and hardware.



Engine Guard

72" X-ONE Parts Manual - 940106 - HTX1TS072KAWFX850VA

Item	Part No.	Qty	Name
1	602345	2	SPACER, ANTI-SCALP 3.22
2	602263	2	WHEEL, ANTI-SCALP
3	377994	2	HEAT SHIELD, MMZ ROLLER
4	767962	8	FW .531 x 1.063 x .175
5	008193	2	NT .500-13HXG5
6	068239	2	CS .500-13X4.500HXG5
7	025395	4	CB .375-16X 1.00 G5 ZN
8	705137	8	FW 0.391X1.25X.06 ZN
9	086660	4	NT .375-16NLG8
10	705954	4	CS .500-13X1.25 HX G5 ZN
11	606807	1	DECAL, H LOGO
12	555369	1	SVC, ENGINE GUARD
13	606659	1	PLASTIC BUMPER, RH
14	705178	2	CS .375-16X1.750HXG5
15	606657	1	PLASTIC BUMPER, CENTER
16	016899	4	NT .375-16 FLKG5
17	126190-3	1	MUFFLER GUARD
18	606658	1	PLASTIC BUMPER, LH
19	036244	2	CS .375-16X1.00 HX G5 ZN



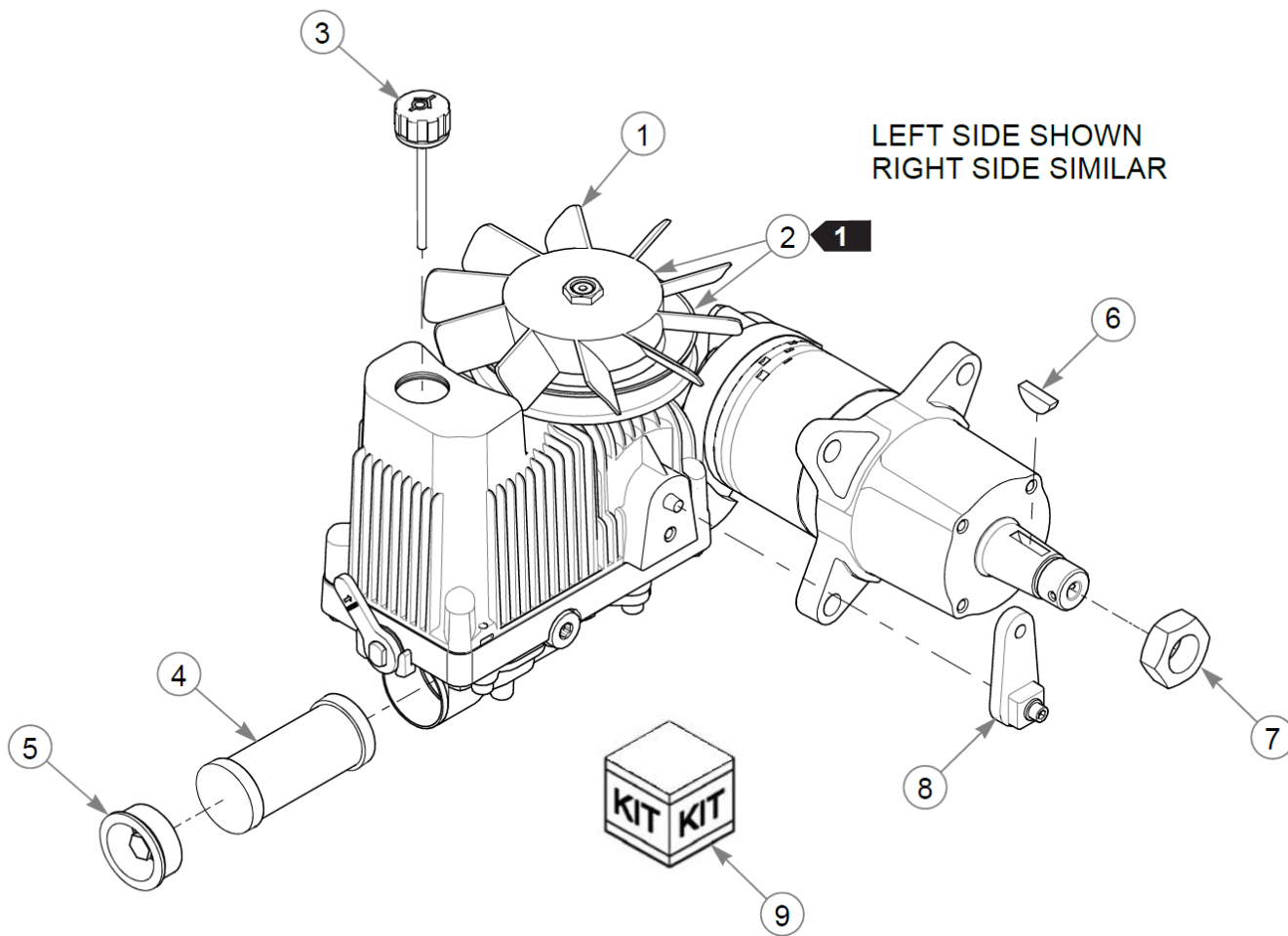
Transmissions & Drive Belt

72" X-ONE Parts Manual - 940106 - HTX1TS072KAWFX850VA

Item	Part No.	Qty	Name
1	051151	1	CS .500-13X5.000HXG5
2	344267	1	FW .510X2.15X.19 ZN
3	767954	4	FW 0.379X.82X.06 HD ZN
4	054502	2	NT .375-16HXG5
5	036244	2	CS .375-16X1.00 HX G5 ZN
6	124432-1	1	IDLER SPRING MOUNT
7	781302	1	IDLER SPRING
8	025007	1	CS .62511X1.750HXG5
9	602304	1	PULLEY, 5" FLAT IDLER
10	602880	1	BUSHING, IDLER PIVOT
11	122905	1	TENSIONER W/A
12	015495	1	GREASE FITTING STRAIGHT
13	602879	1	BUSHING, IDLER PIVOT
14	767962	9	FW .531 x 1.063 x .175
15	781567	1	NT .500-13NLG5
16	606411	1	DRIVE BELT
17	023317	8	NT .500-13UNTG8
18	017616	8	CS .500-13X1.750HXG5
19	606401	1	TRANSMISSION, PARKER HTJ
Not Shown	606402	1	TRANSMISSION, PARKER HTJ

Comments for Page: Transmissions & Drive Belt

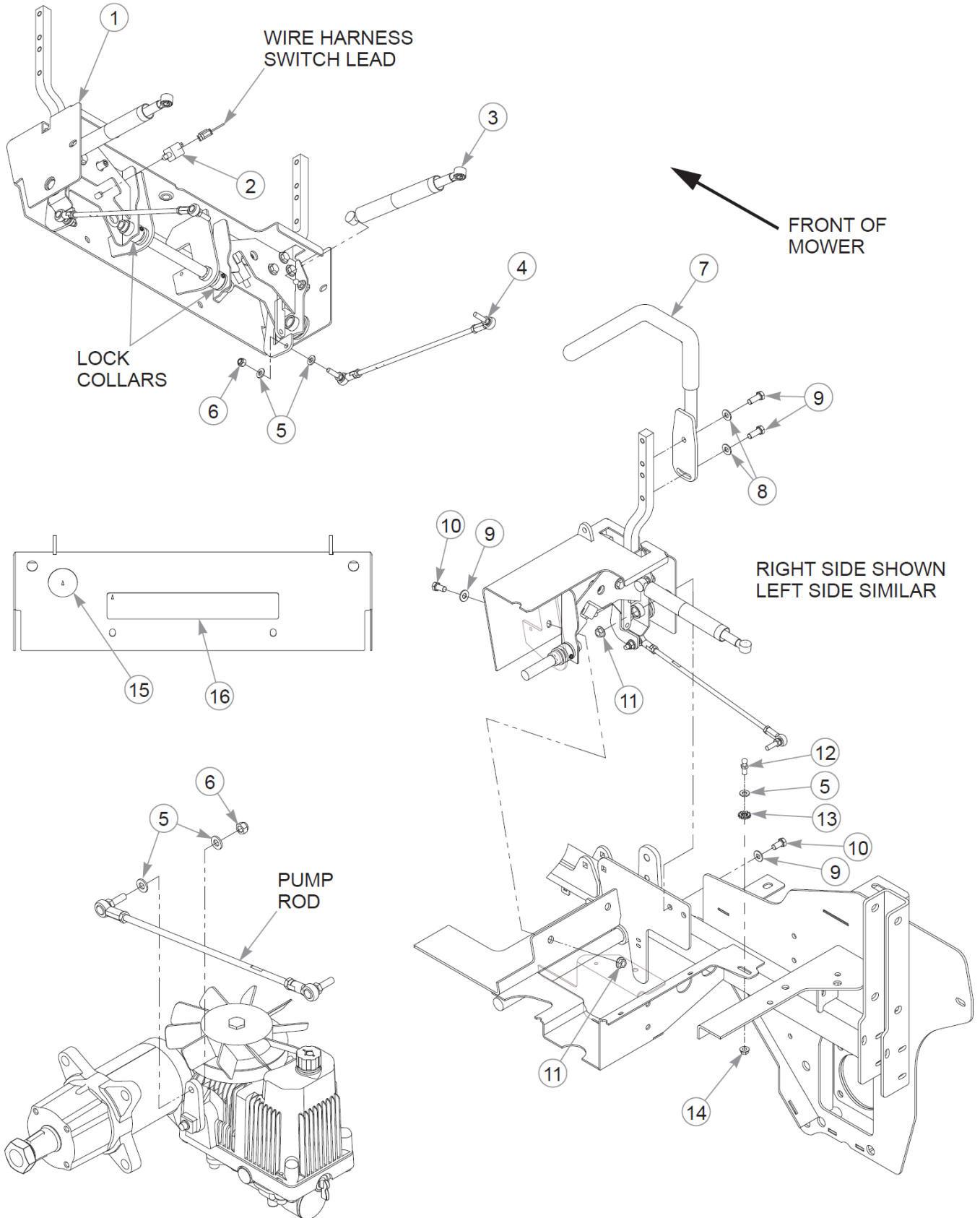
1. Torque to 71–75 ft-lbs.
2. The tensioner must pivot freely.
3. Left side transmission.



Transmission Service Parts

72" X-ONE Parts Manual - 940106 - HTX1TS072KAWFX850VA

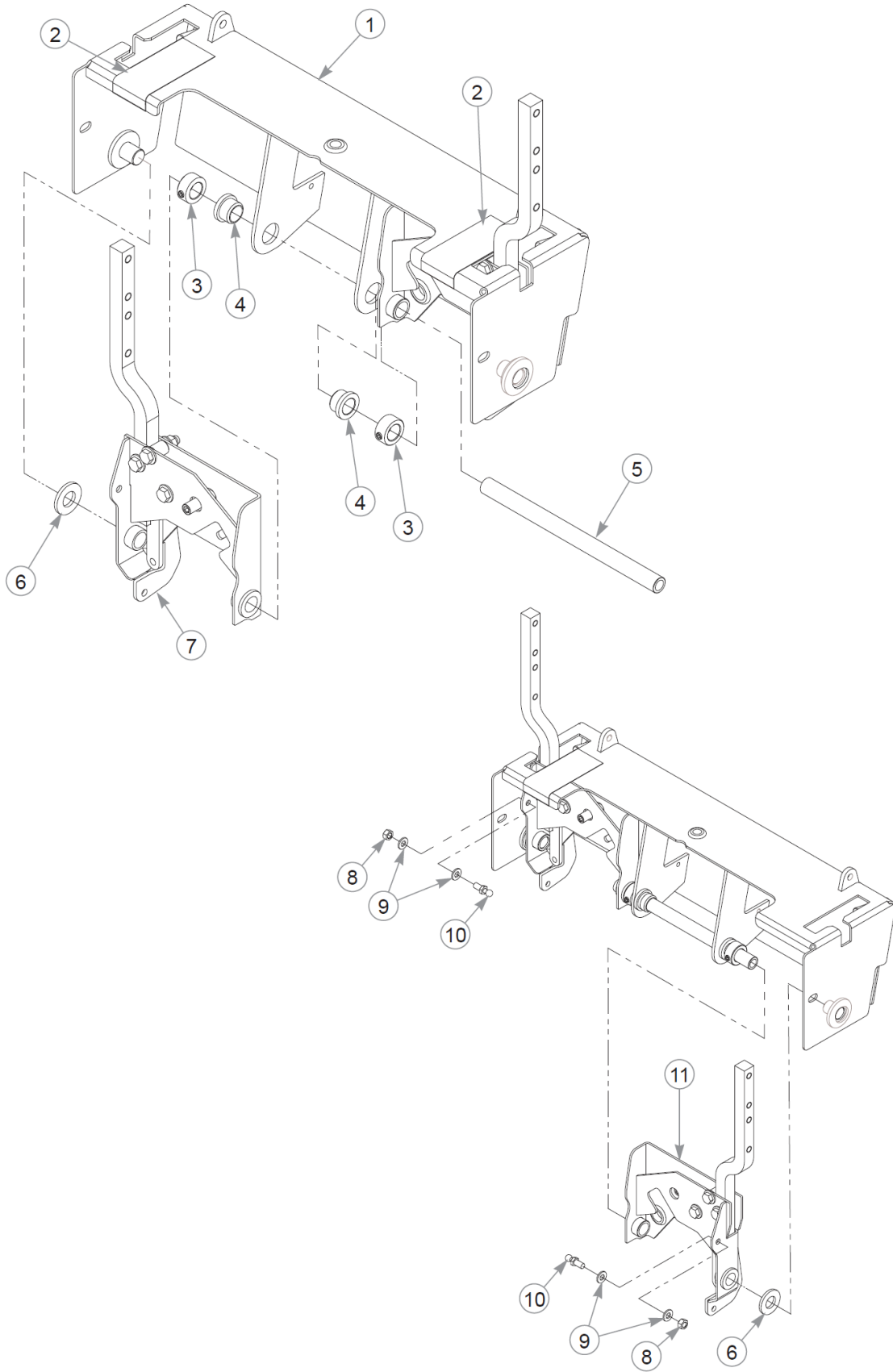
Item	Part No.	Qty	Name
1	607509	1	SERVICE KIT, FAN
2	608370	1	KIT, PULLEY, HTJ
Not Shown	604132	1	SERVICE KIT, FAN/PULLEY
3	604131	1	RESERVIOR CAP
4	604126	1	HYDRAULIC OIL FILTER
5	604130	1	PLUG & O-RING ASSEMBLY
6	064337	1	ROSS WOODRUFF KEY
7	065516	1	ROSS NUT
8	606461	1	CONTROL LEVER PARKER
9	607751	1	SEAL KIT - HTJ



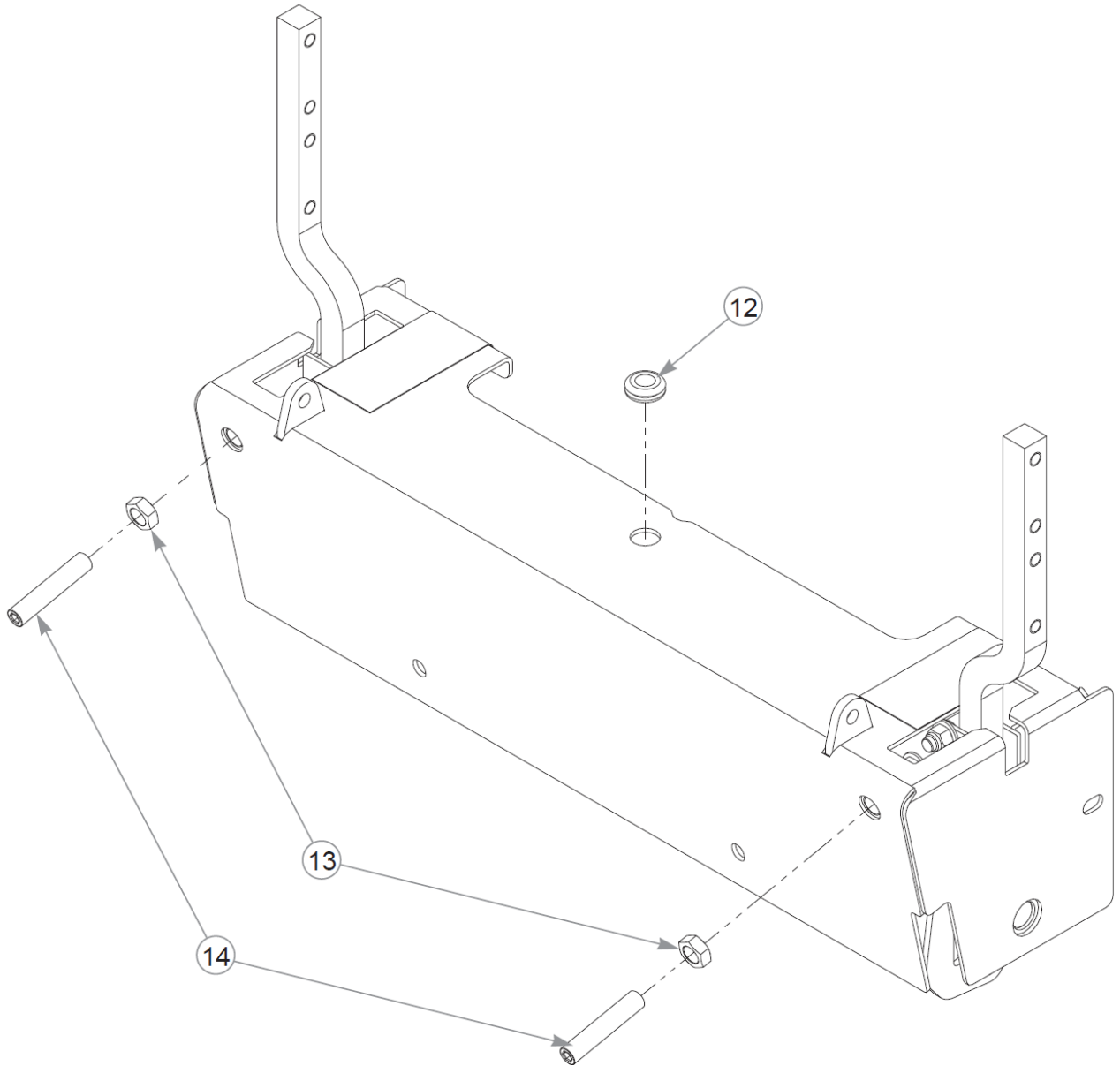
Item	Part No.	Qty	Name
1	N/A	1	REFER TO "STEERING COVER ASSEMBLY"
2	601087	2	SWITCH, PLUNGER N.O.
3	795351	2	DAMPER, CENTERING
4	606521	2	PUMP ROD ASSEMBLY
5	768523	10	FW 0.343SAE
6	023655	4	NT 0.312-24 NL G8
7	605924	2	STEERING BAR W/A
Not Shown	781260	2	GRIP, STEERING BAR
8	767954	8	FW 0.379X.82X.06 HD ZN
9	036244	4	CS .375-16X1.00 HX G5 ZN
10	055822	4	CS .375-16X0.75 HX G5 ZN
11	016899	4	NT .375-16 FLKG5
12	781922	2	BALL STUD
13	029876	2	LW .312 INTEXT ZN
14	016832	2	NT .312-18FLKG5
15	608127	1	DECAL, USA, F&D
16	608098	1	DECAL, X-ONE

Comments for Page: Steering

1. The steering handle includes the grip.

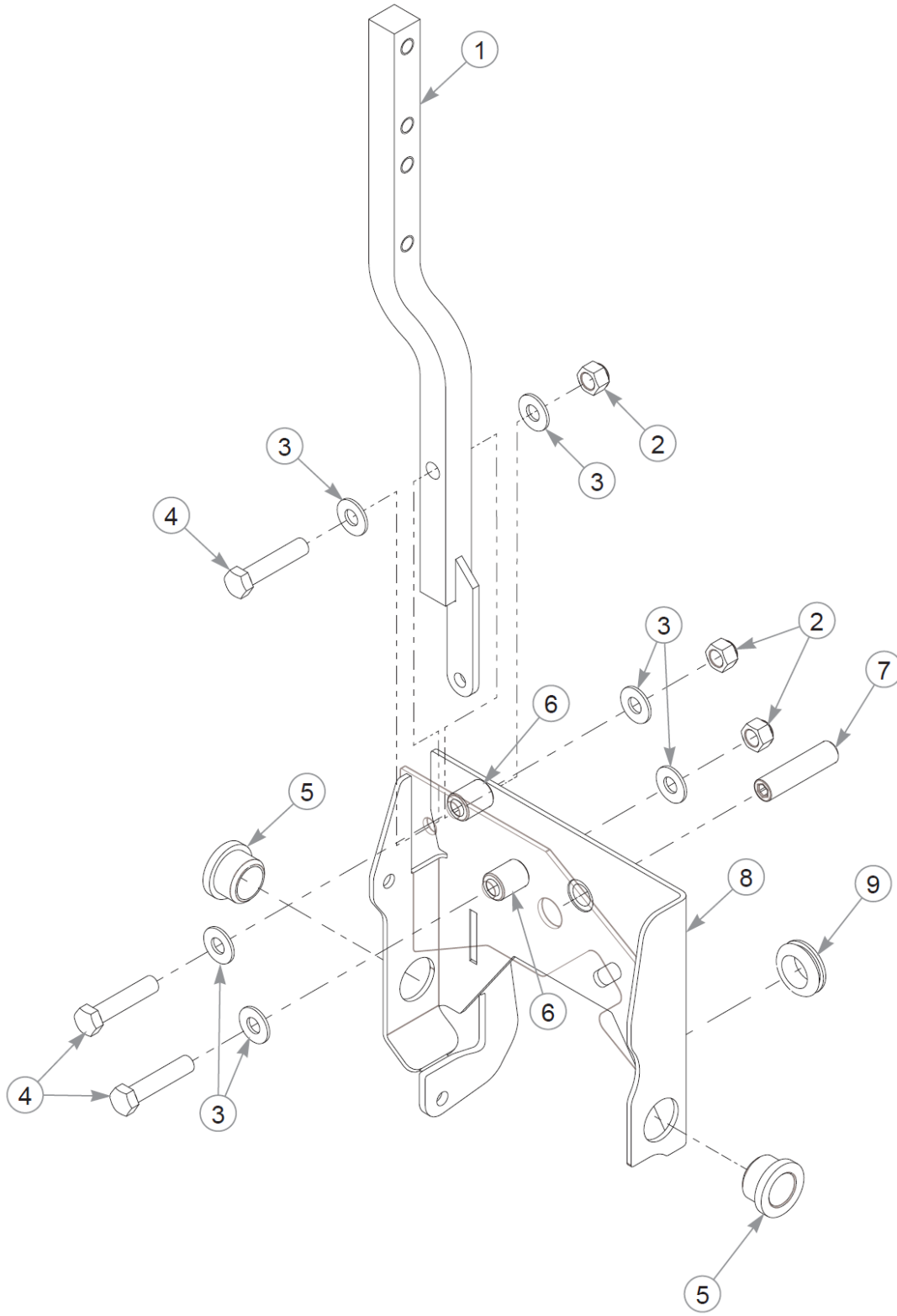


This page intentionally left blank



Steering Cover Assembly (Multi-Page)

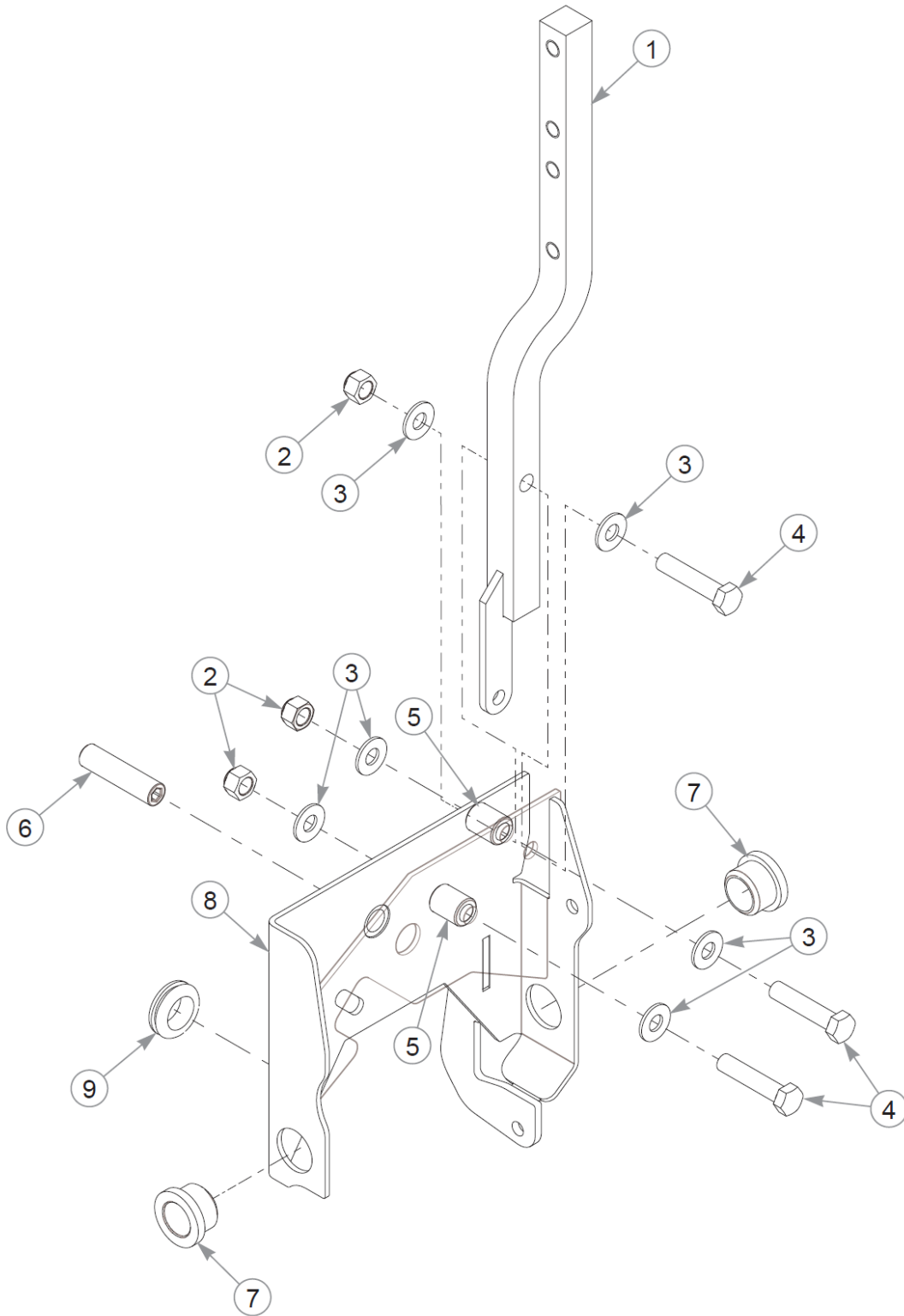
Item	Part No.	Qty	Name
1	112895	1	STEERING COVER W/A, SZ
2	722199	11"	POLYURETHANE 2" (FS)
3	784439	2	LOCK COLLAR,0.757 ID(FS)
4	608000	2	BUSHING
5	113007	1	STEER PIVOT TUBE, SZ
6	603078	2	FW .750X1.50X.16 ZN
7	606510	1	STEERING BOX SUB, RH
8	034272	2	NT .312-18HXG5
9	768523	4	FW 0.343SAE
10	781922	2	BALL STUD
11	606511	1	STEERING BOX SUB, LH
12	080358	1	GM .50X1.00X.75X.12
13	053199	2	NT .500-13JAMG5
14	603055	2	SS .500-13X 2.50 SH ZN



Left Steering Box Assembly

72" X-ONE Parts Manual - 940106 - HTX1TS072KAWFX850VA

Item	Part No.	Qty	Name
1	NSS	2	STEERING ARM W/A
2	086660	3	NT .375-16NLG8
3	767954	6	FW 0.379X.82X.06 HD ZN
4	705178	3	CS .375-16X1.750HXG5
5	781153	2	BUSHING, UHMW
6	348862	2	STEERLEVER BUSHING (PLA
7	797738	1	SS .500-13X2.000SH
8	123305	1	STEERING BOX W/A, LH
9	047456	1	GM .750X.188X1.00X.12

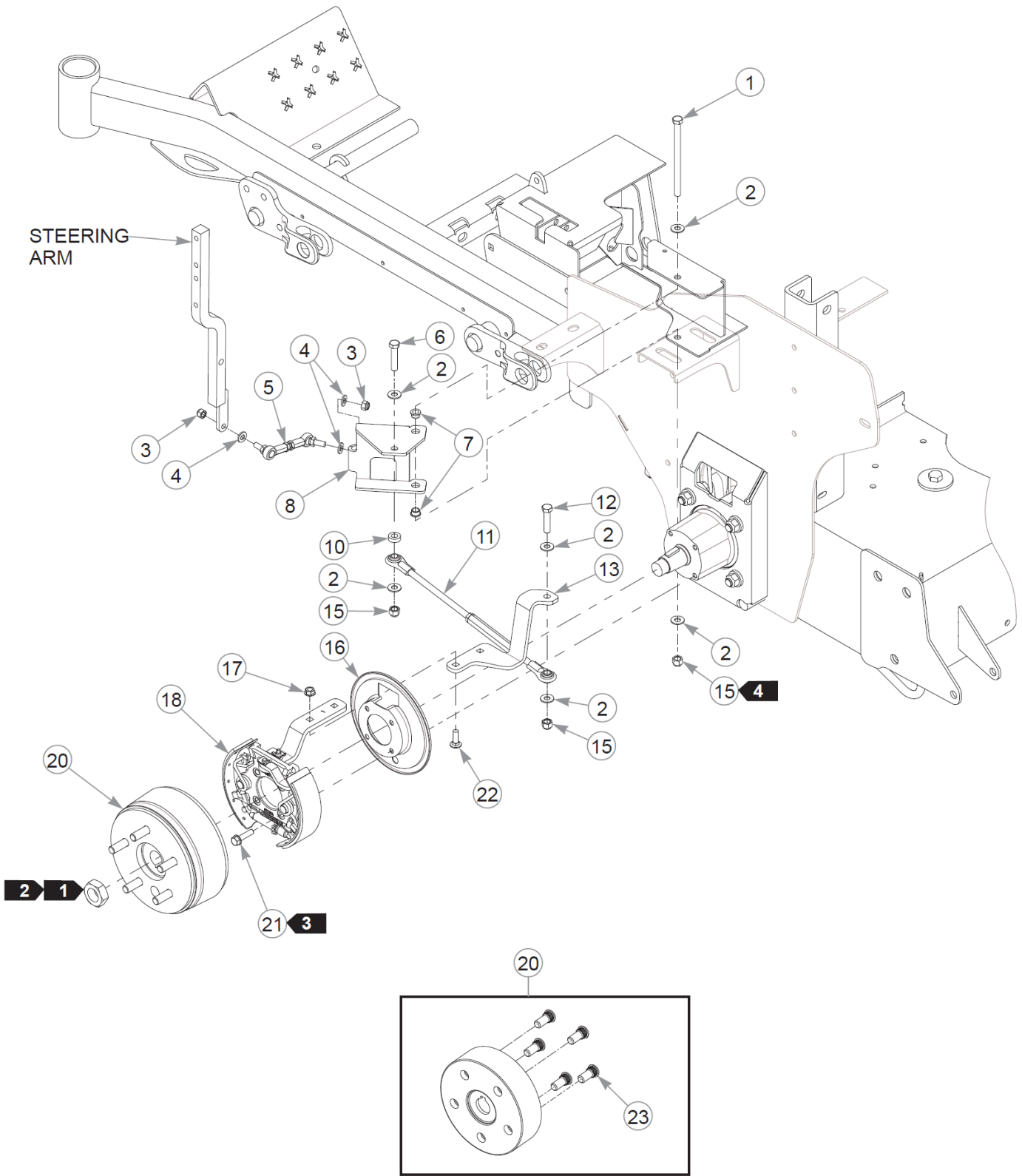


Right Steering Box Assembly

72" X-ONE Parts Manual - 940106 - HTX1TS072KAWFX850VA

Item	Part No.	Qty	Name
1	NSS	1	STEERING ARM W/A
2	086660	3	NT .375-16NLG8
3	767954	6	FW 0.379X.82X.06 HD ZN
4	705178	3	CS .375-16X1.750HXG5
5	348862	2	STEERLEVER BUSHING (PLA
6	797738	1	SS .500-13X2.000SH
7	781153	2	BUSHING, UHMW
8	123306	1	STEERING BOX W/A, RH
9	047456	1	GM .750X.188X1.00X.12

LEFT SIDE SHOWN
RIGHT SIDE SIMILAR

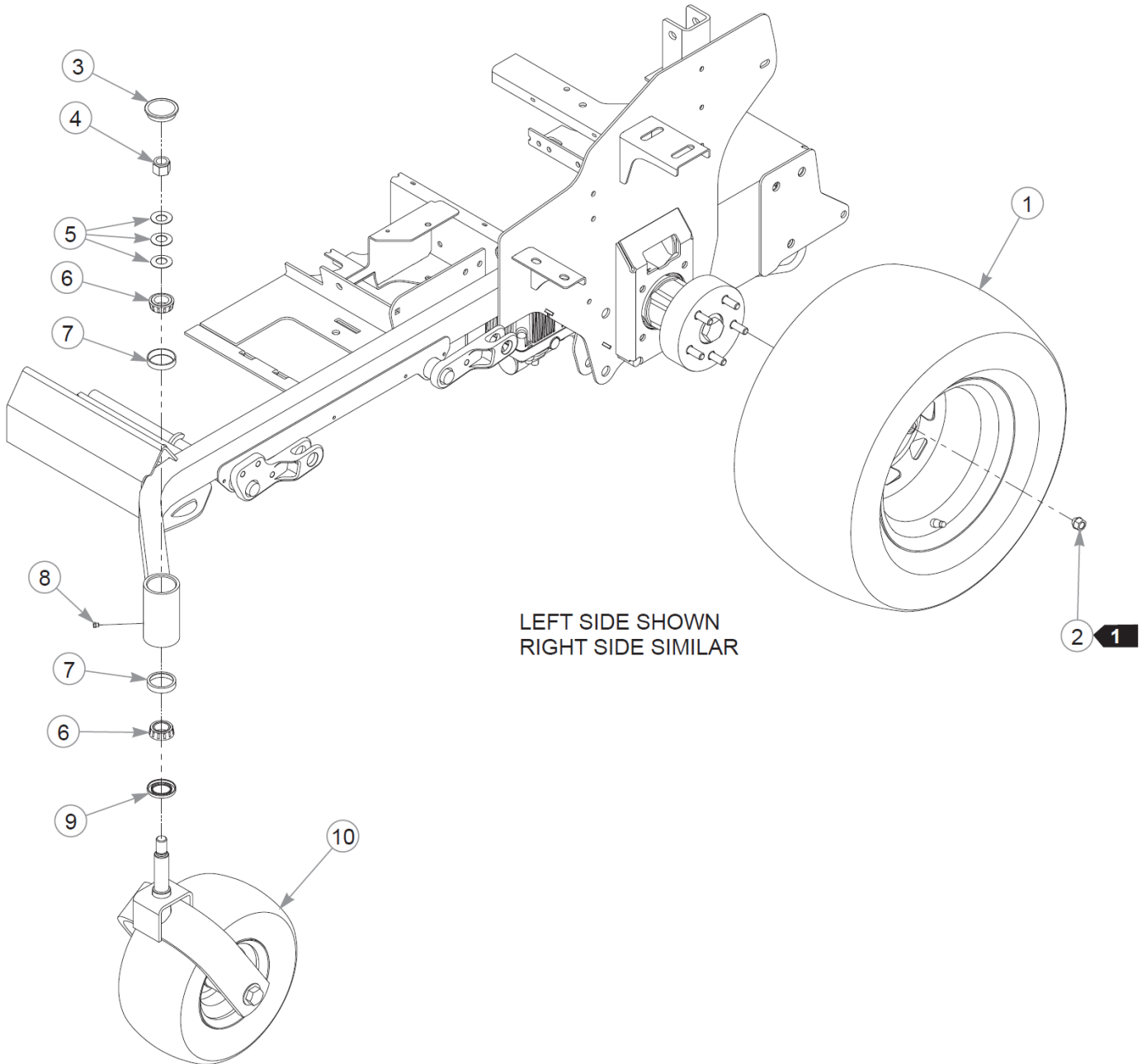


Brake

Item	Part No.	Qty	Name
1	748913	2	CS .375-16x5.50 GR5 ZN
2	767954	12	FW 0.379X.82X.06 HD ZN
3	023655	4	NT 0.312-24 NL G8
4	768523	6	FW 0.343SAE
5	781583	2	BRAKE ROD ASSEMBLY
6	705178	2	CS .375-16X1.750HXG5
7	765339	4	BUSHING,IGUS#0608 (FS)
8	126643-3	1	BELLCRANK, LH
9	126644-3	1	BELLCRANK, RH
10	073858	2	FW .406X .750X.250 ZN
11	350397	2	BRAKE LINK TURNBUCKLE A
12	705160	2	CS .375-16X1.625HXG5
13	126646-3	1	EXTENSION, BRAKE ARM, LH
14	126645-3	1	EXTENSION, BRAKE ARM, RH
15	086660	6	NT .375-16NLG8
16	607896	2	DUST SHIELD
17	016832	4	NT .312-18FLKG5
18	607894	1	BRAKE ASSY, LH
19	607895	1	BRAKE ASSY, RH
20	607893	2	DRUM HUB ASSEMBLY
21	607328	8	CS .312-18X1.25HXG8 FL
22	037887	4	CB .312-18X 1.000 FUL ZN
23	601085	10	STUD, WHEEL LUG 1/2-20

Comments for Page: Brake

1. Included with the wheel motor.
2. Torque to 220–240 ft-lbs.
3. Torque to 25–28 ft-lbs.
4. Do not torque; the nut should be snug but allow the brake bellcrank to pivot freely.
5. The hub assembly includes the studs.

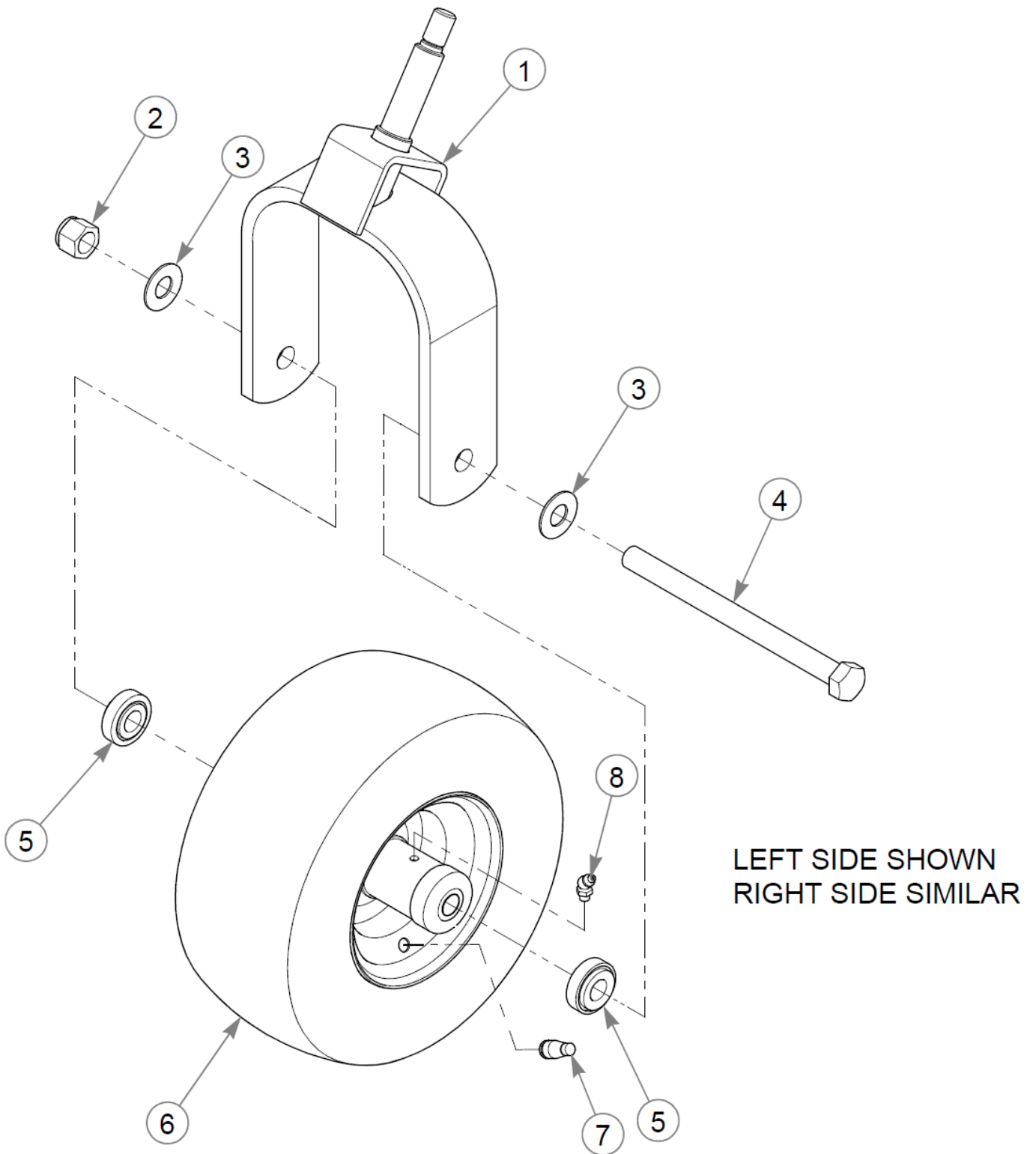


Wheels & Tires

Item	Part No.	Qty	Name
1	607104	2	TIR/WHL 24X12.00-12 BLK
2	061077	10	WHEEL NUT
3	606711	2	DUST CAP
4	061101	2	NT .750-10 HX ZN NL GR B
5	606715	6	CW 0.766 X 1.50 X .093
6	606712	4	BEARING, TAPERED ROLLER
7	606713	4	RACE, TAPERE ROLLER
8	606817	2	GREASE PLUG
9	606714	2	SEAL, 1.25 X 1.98
10	N/A	2	REFER TO "FRONT WHEEL ASSEMBLY"

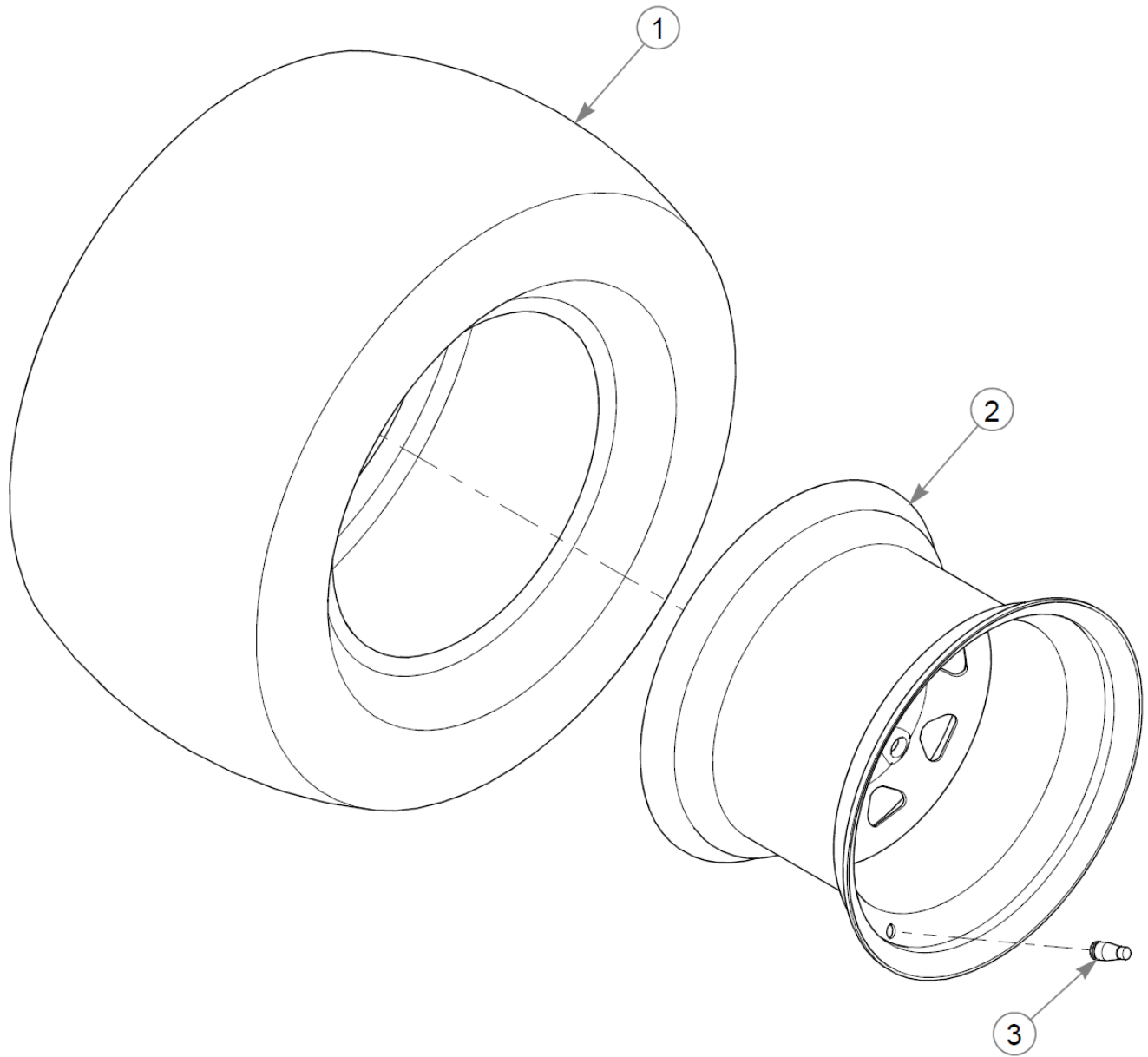
Comments for Page: Wheels & Tires

1. Torque to 65–75 ft-lbs.



Front Wheel Assembly

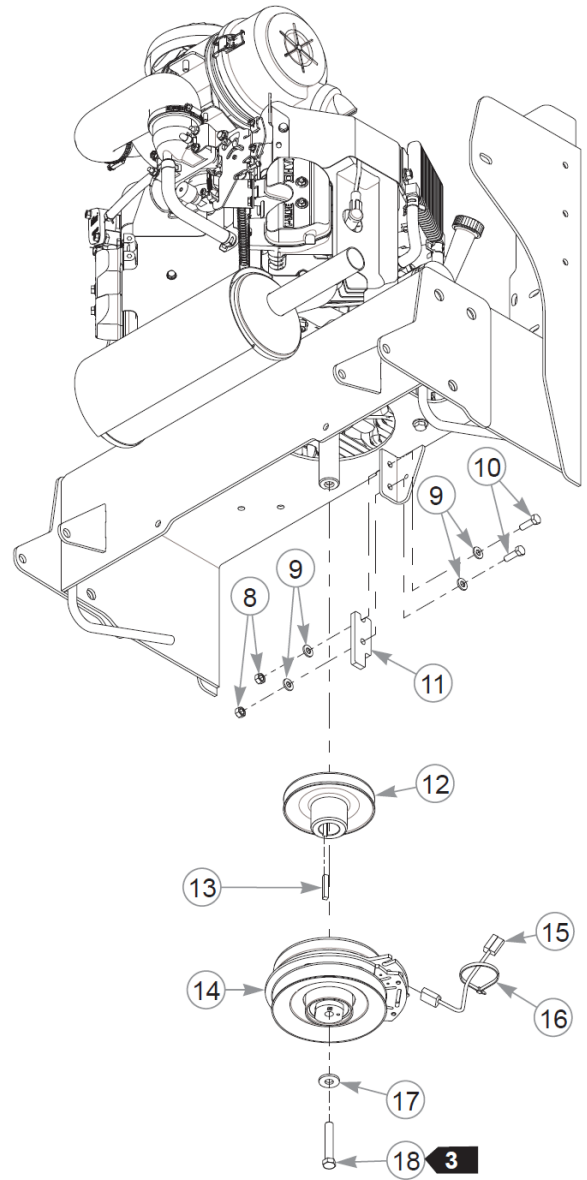
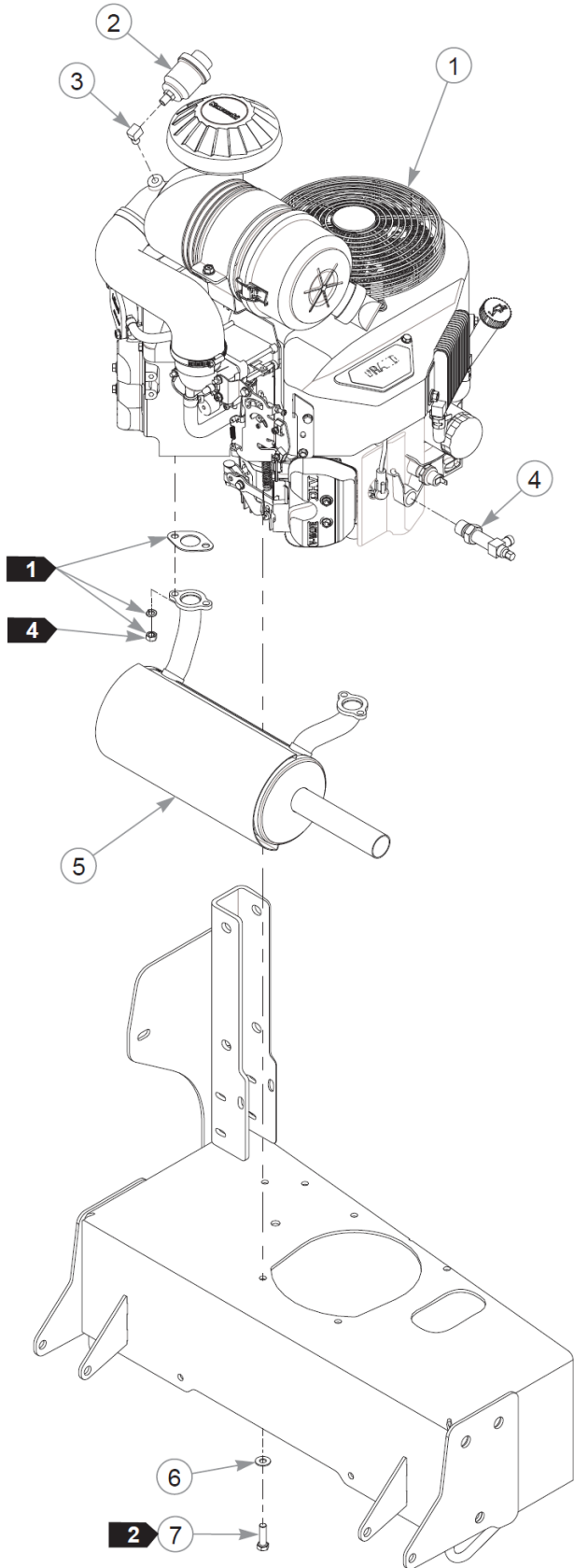
Item	Part No.	Qty	Name
1	123644-1	1	W/A, CASTER FORK
2	061101	1	NT .750-10 HX ZN NL GR B
3	025296	2	FW .760X1.63X0.08 ZN
4	041475	1	CS .750-10X9.50 HX G5 ZN
5	606753	2	BEARING, TAPERED ROLLER
6	606745	1	TIR/WHL 13X6.50-6 BLK
7	019521	1	TIRE VALVE TR-412 GOODY
8	606126	1	GREASE FITTING, M8X1.0



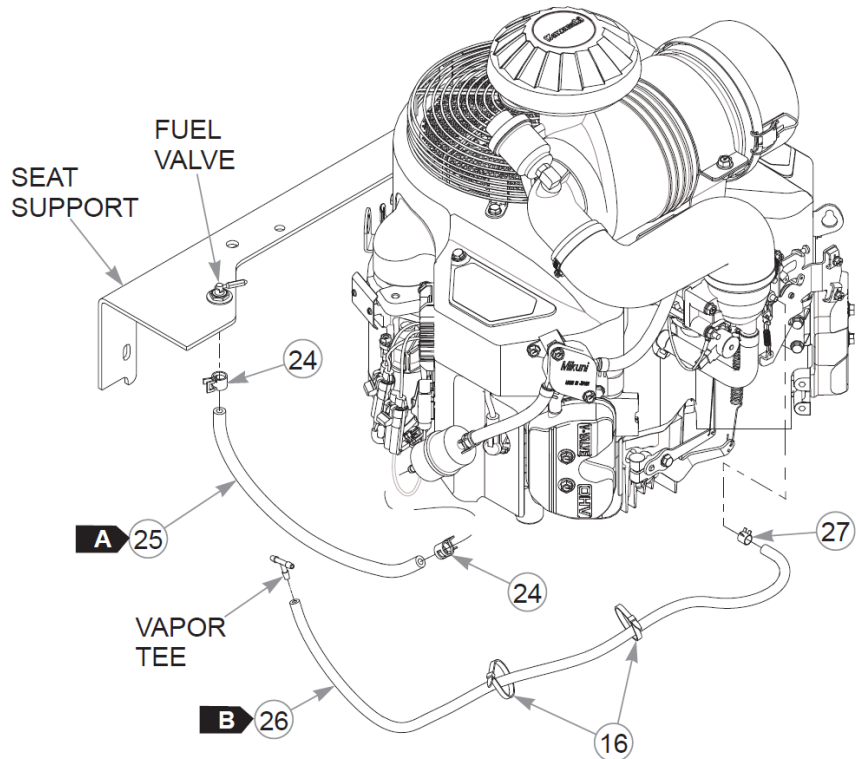
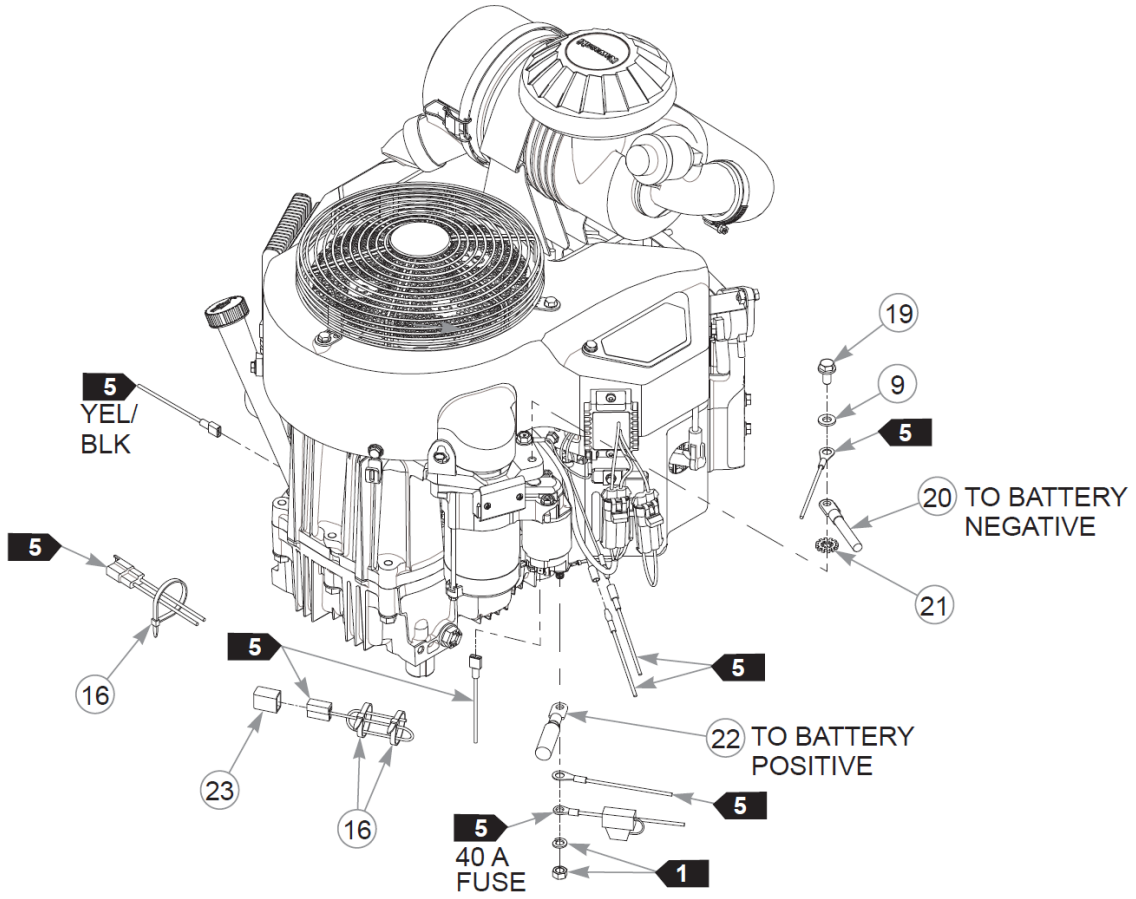
Drive Wheel Assembly

72" X-ONE Parts Manual - 940106 - HTX1TS072KAWFX850VA

Item	Part No.	Qty	Name
1	606967	1	TIR 24X12.00-12 B4R GRMR
2	606498	1	WHL 12X8.50 5X4.5 BLK
3	019521	1	TIRE VALVE TR-412 GOODY



This page intentionally left blank



Item	Part No.	Qty	Name
1		1	ENGINE, KAW FX850V
2	788943	1	AIR FILTER INDICATOR
3	601216	1	FTG, ELBOW, STREET
4	796524	1	VALVE,OIL DRAIN M20x2.5
5	603012	1	MUFFLER, FX850V
6	767954	4	FW 0.379X.82X.06 HD ZN
7	602580	4	CS .375-16X1.25HXG8ZYP85
8	034272	2	NT .312-18HXG5
9	768523	5	FW 0.343SAE
10	036236	2	CS .312-18X1.000HXG5
11	113946	1	CLUTCH ANCHOR
12	606471	1	PULLEY, ENG 5.318 OP
13	212076	1	KEY 1/4 SQ X 1.50 LG(FS)
14	606404K	1	CLUTCH KIT
15	791251	1	HARNES, CLUTCH PIGTAIL
<p>Comments for Part Num. 791251</p> <p>Pigtail was updated with epoxy to hold the wires steady. The wire sheath was also updated to a more flexible material.</p>			
16	000331	6	WIRE TIE, SMALL/SHORT
17	602680	1	FW .453X1.12X.12 HRD ZN
18	785659	1	CS .437-20X2.50 HXG5 P85
19	720516	1	CS M8-1.25X16HX FL10.9
20	796219	1	BATTERY CABLE,NEG 36" D
21	029876	1	LW .312 INTEXT ZN
22	744276	1	BATTERY CABLE POSITIVE
23	789131	1	CAP, HUSTLRZ FAN CON(FS)
24	000323	2	CLIP, HOSE CLAMP
25	015818	16.5"	FUEL LINE, 1/4"
<p>Comments for Part Num. 015818</p> <p>Sold by the foot.</p>			
26	603326	32"	VAPOR LINE, 3/16"
<p>Comments for Part Num. 603326</p> <p>Sold by the foot.</p>			
27	603112	1	CLAMP, 3/16 FUEL

Comments for Page: Engine, Muffler & Clutch (Multi-Page)

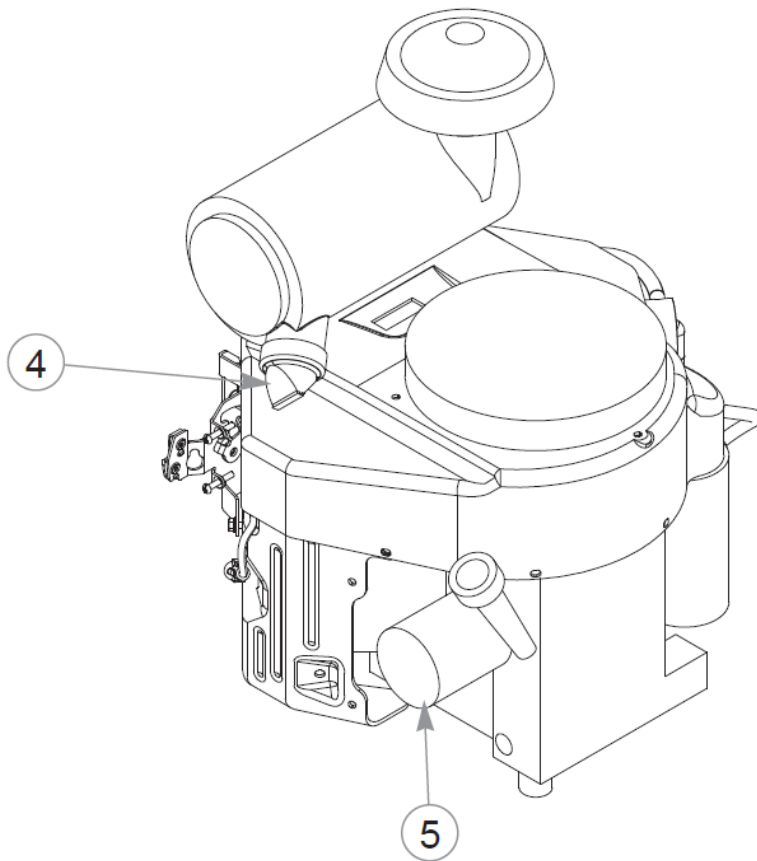
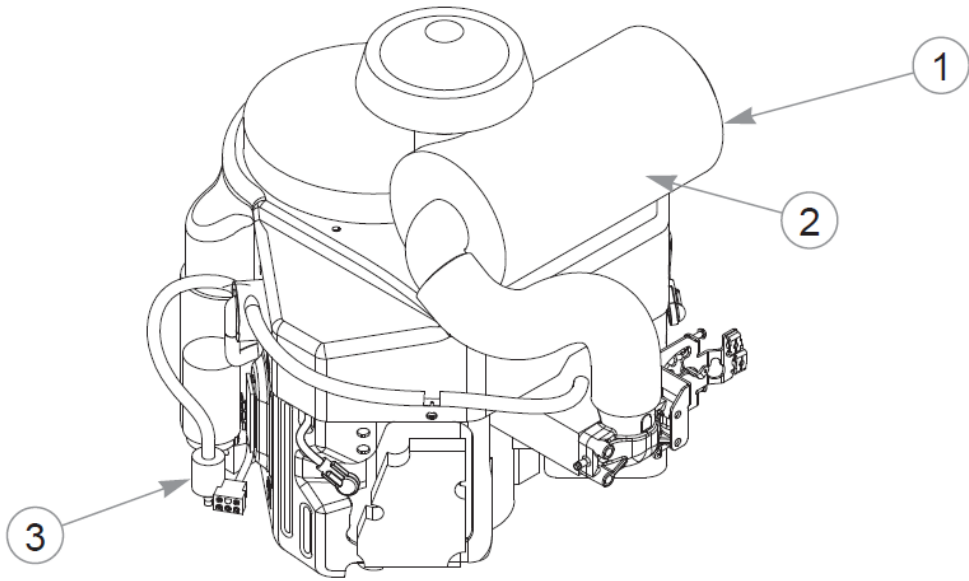
1. Supplied with the engine.
2. Torque to 30 ft-lbs. Replace (do not reuse) the cap screw if it is removed or loosened. Use only hand tools to install this fastener.
3. Torque to 45–48 ft-lbs. Replace (do not reuse) the cap screw if it is removed or loosened.
4. Torque to 17 ft-lbs.
5. Part of the wire harness.

FUEL & VAPOR LINE LENGTHS

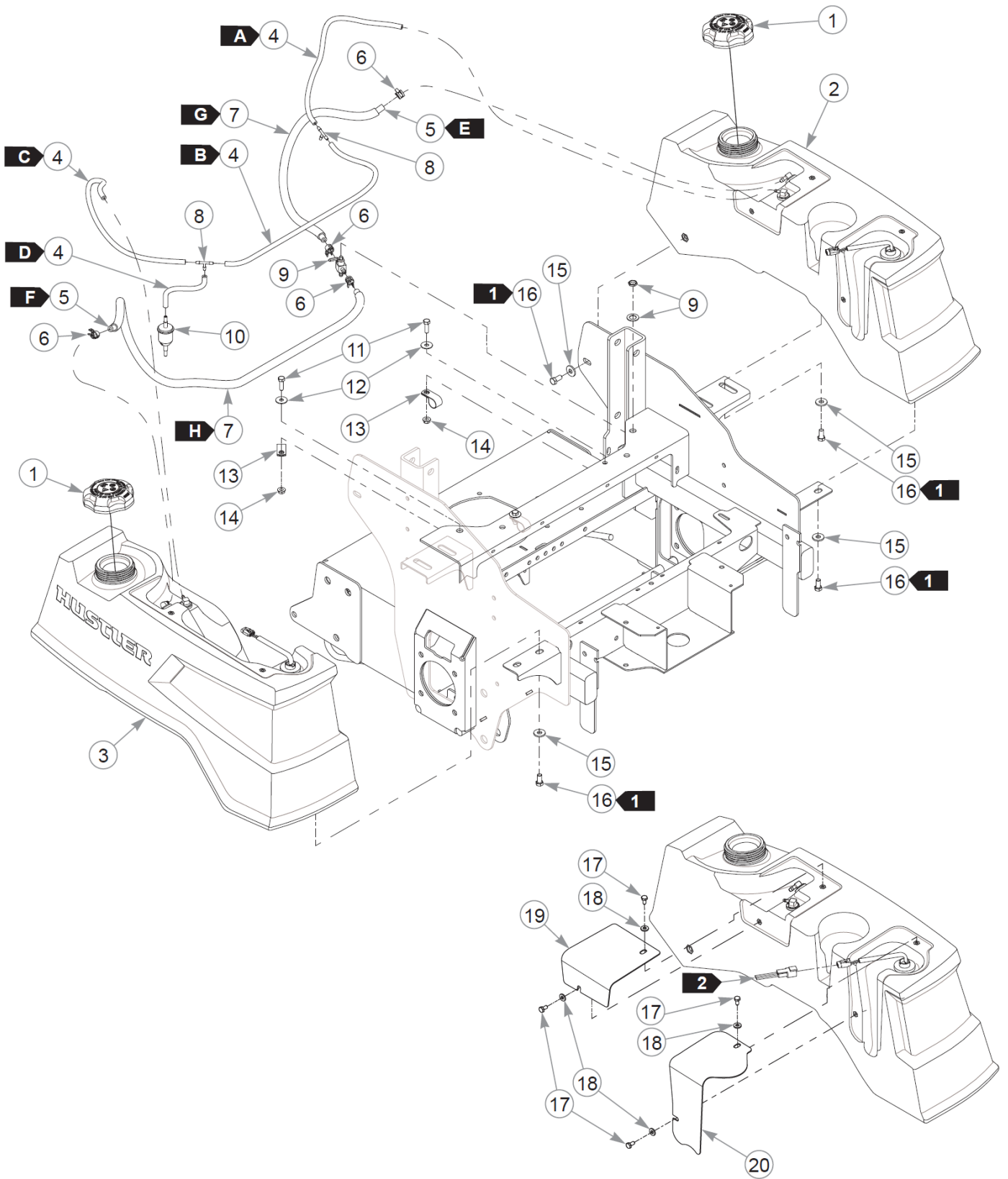
A: 16.5" VALVE TO ENGINE (FUEL)

B: 32" TEE TO ENGINE (VAPOR)

This page intentionally left blank



Item	Part No.	Qty	Name
1	785261	1	AIR FILTER - MAIN
2	785279	1	AIR FILTER - SAFETY
3	068478	1	FUEL FILTER - IN LINE
4	763318	1	VALVE, VACUATOR
5	603138	1	ENGINE OIL FILTER



Fuel System

Item	Part No.	Qty	Name
1	603807	2	CAP, 3.5" RATCHETING GAS
2	607876	1	FUEL TANK ASM, LH FENDER
3	607877	1	FUEL TANK ASM, RH FENDER
4	603326	71.5"	VAPOR LINE, 3/16"
Comments for Part Num. 603326 Sold by the foot.			
5	015818	67"	FUEL LINE, 1/4"
Comments for Part Num. 015818 Sold by the foot.			
6	000323	4	CLIP, HOSE CLAMP
7	605215	65"	FUEL LINE THERMAL SHIELD
Comments for Part Num. 605215 Sold by the foot.			
8	604281	2	TEE, 3/16" PLASTIC
9	745059	1	FUEL VALVE 3-WAY
10	604323	1	VAPOR SYSTEM FILTER
11	036236	3	CS .312-18X1.000HXG5
12	079210	3	FW 0.344X1.0X0.06 ZN
13	043570	3	CLIP - HOSE - SINGLE(FS)
14	016832	3	NT .312-18FLKG5
15	712919	10	FW 0.406X1.00X.12 HD ZN
16	055822	10	CS .375-16X0.75 HX G5 ZN
17	055947	4	CS .250-20X0.50 HX G5 ZN
18	768515	4	FW 0.281SAE
19	123182	1	COVER, FUEL LINES
20	123181	1	COVER, FUEL SENDER
21	000331	2	WIRE TIE, SMALL/SHORT

Comments for Page: Fuel System

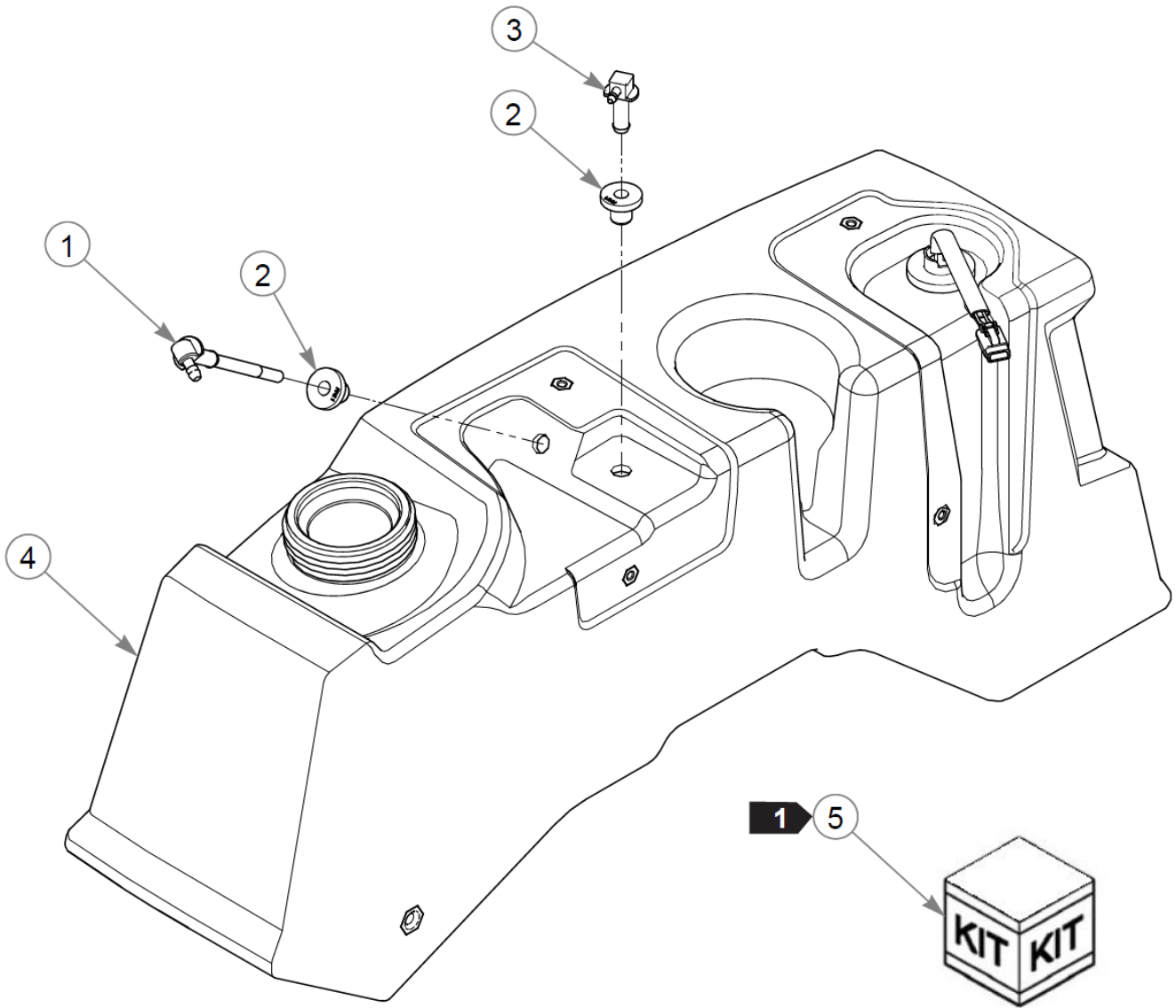
1. Torque to 16 ft-lbs.
2. Part of the wire harness.

FUEL & VAPOR LINE LENGTHS

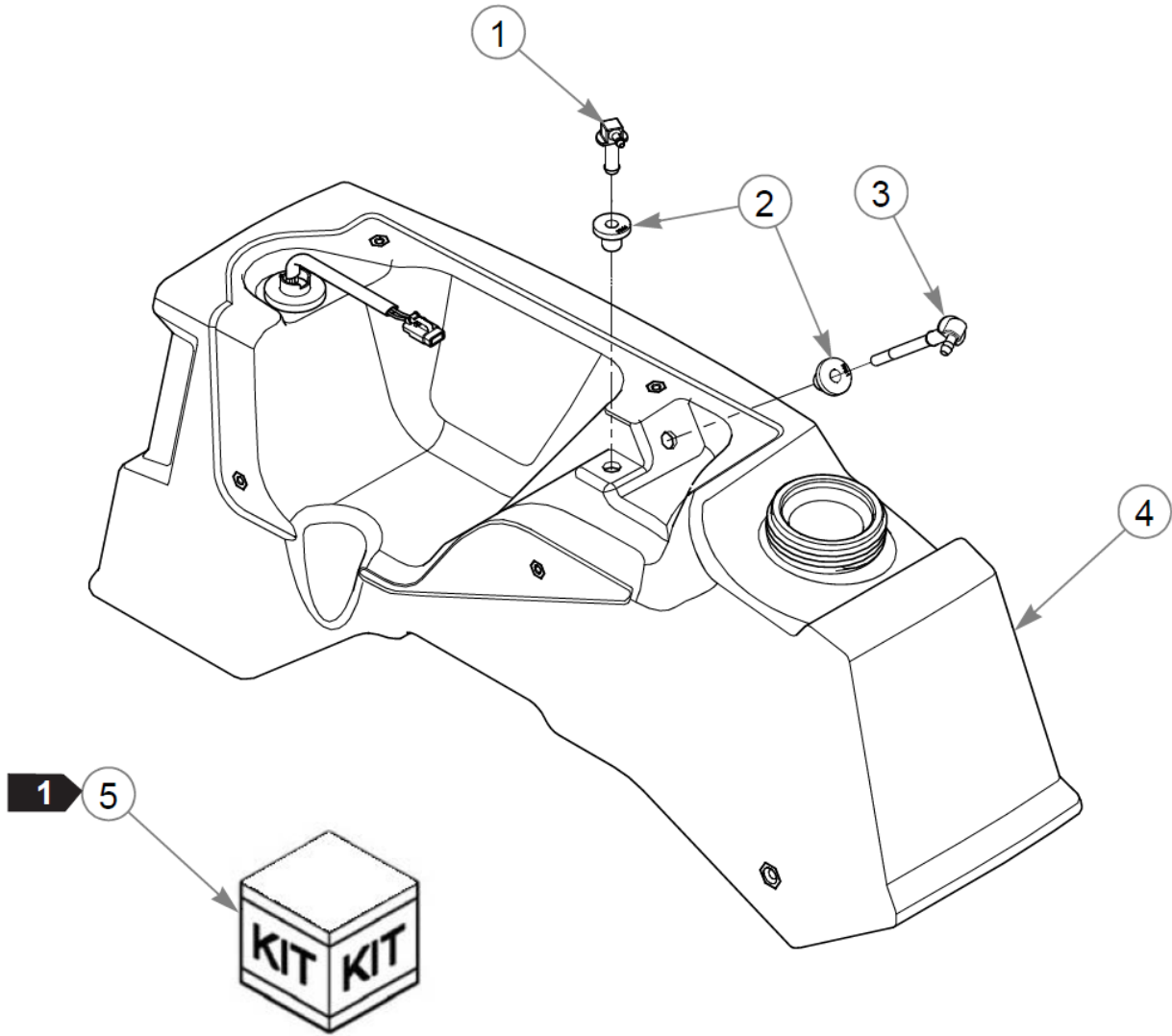
Fuel System

- A: 19" LEFT TANK TO TEE (VAPOR)
- B: 24" TEE TO TEE (VAPOR)
- C: 22" RIGHT TANK TO TEE (VAPOR)
- D: 6.5" TEE TO FILTER (VAPOR)
- E: 23" LEFT TANK TO VALVE (FUEL)
- F: 44" RIGHT TANK TO VALVE (FUEL)
- G: 22" FUEL LINE THERMAL SHIELD
- H: 43" FUEL LINE THERMAL SHIELD

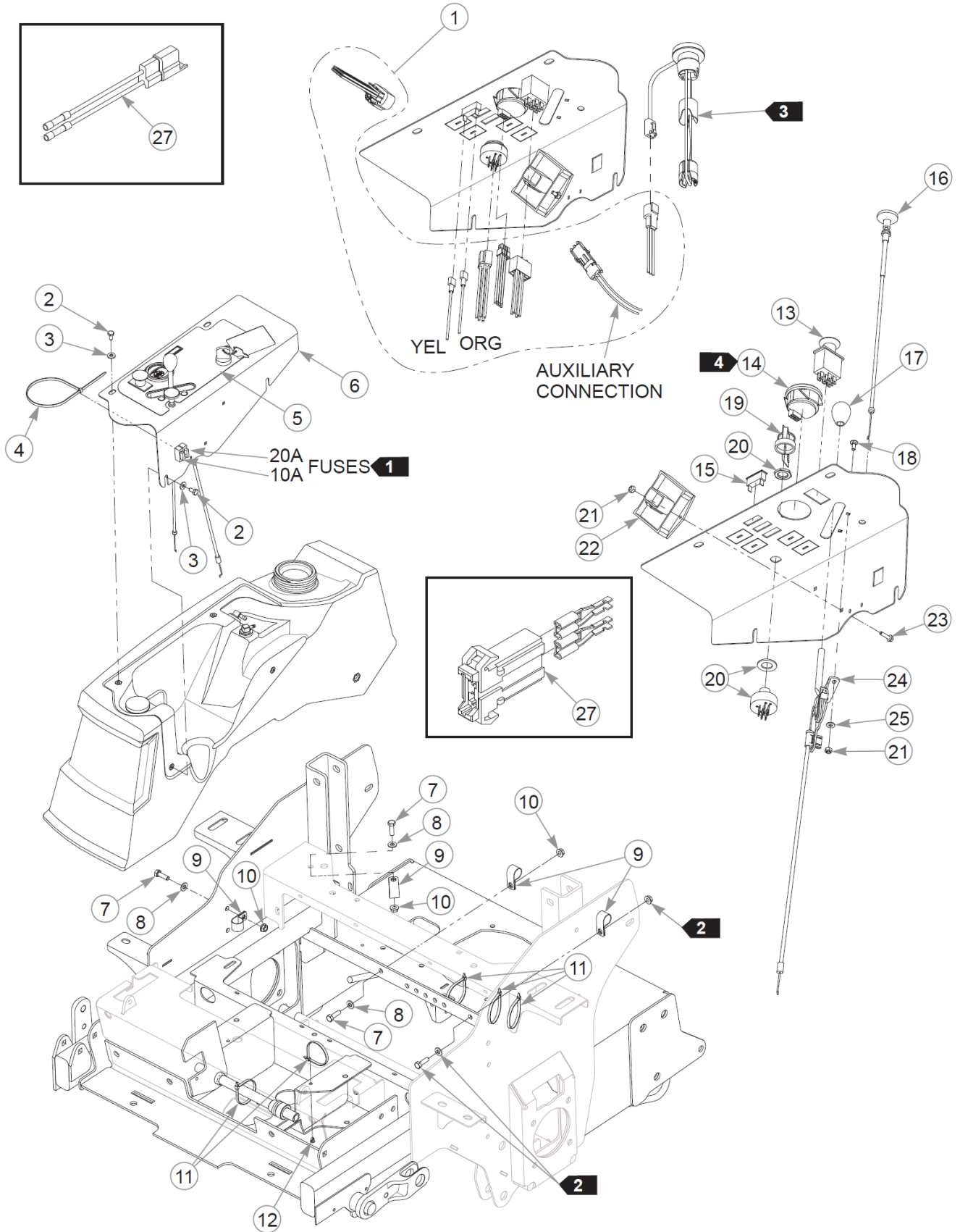
This page intentionally left blank



Item	Part No.	Qty	Name
1	605159K	1	SUCTION HOSE SVC KIT
2	604200K	2	GROMMET SVC KIT
3	604287K	1	VENT FITTING SVC KIT
4	606434	1	TANK, FENDER LH
5	607456K	1	SENDER SVC KIT
Not Shown	608041	1	FUEL GAUGE & SENDER KIT



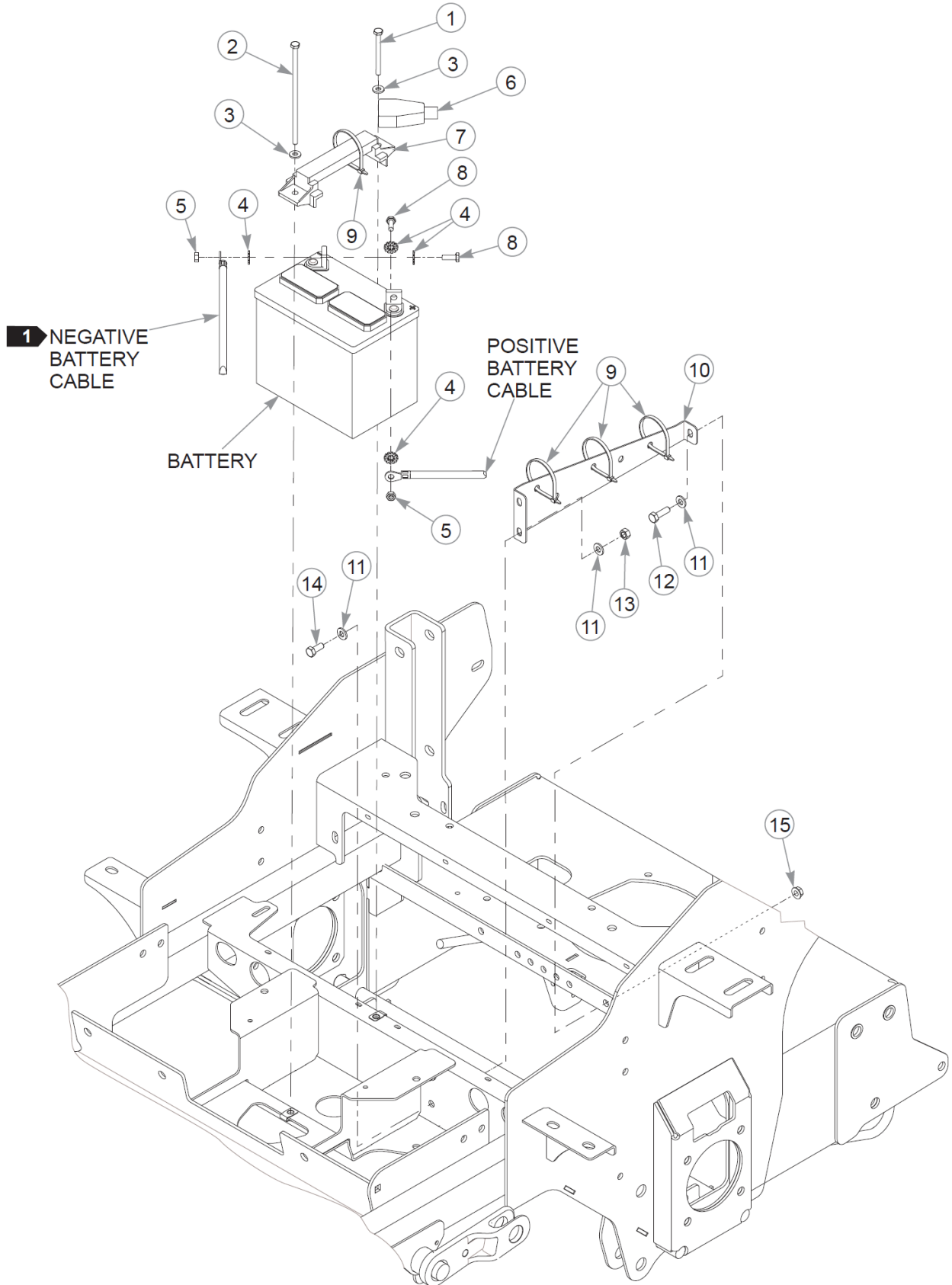
Item	Part No.	Qty	Name
1	604287K	1	VENT FITTING SVC KIT
2	604200K	2	GROMMET SVC KIT
3	605159K	1	SUCTION HOSE SVC KIT
4	606433	1	TANK, FENDER RH
5	607456K	1	SENDER SVC KIT
Not Shown	608041	1	FUEL GAUGE & SENDER KIT



Item	Part No.	Qty	Name
1	604241	1	WIRE HARNESS
2	055947	4	CS .250-20X0.50 HX G5 ZN
3	768515	4	FW 0.281SAE
4	000430	1	WIRE TIE, SMALL/LONG
5	606466	1	DECAL, INSTR PANEL
6	555786	1	SVC, INSTR PANEL
7	036236	3	CS .312-18X1.000HXG5
8	768523	3	FW 0.343SAE
9	043570	4	CLIP - HOSE - SINGLE(FS)
10	016832	3	NT .312-18FLKG5
11	000331	5	WIRE TIE, SMALL/SHORT
12	604307	1	MOUNT, PUSH BUTTON
13	776476	1	SWITCH, PTO 6201-321
14	607451	1	GAUGE, DUAL NEEDLE 12V
Not Shown	608041	1	FUEL GAUGE & SENDER KIT
15	712257	1	INDICATOR LIGHT, RED(FS)
16	786657	1	CABLE, CHOKE
17	603523	1	KNOB
18	601098	2	CB 10-24 X .500 ZYNC
19	785808	1	KEY ASSEMBLY
20	045898	1	IGNITION SWITCH
21	059832	4	NT #10-24 HX NL ZN
22	604373	1	RELAY CONTROL MODULE
23	063198	2	CS #10-24X0.750FLKG5
24	603475	1	CABLE, THRTL 43"
25	704932	2	FW 0.219X.50X.05 ZN
26	114052	1	KIT, CLUTCH CONN. REP.
27	601047	1	HOLDER, FUSE

Comments for Page: Instrument Panel & Wire Harness

1. Part of the wire harness.
2. Part of the Battery Assembly.
3. Part of the Fuel Assembly.
4. 607451 is used on mowers S/N 20070912 & HIGHER.
- 608041 is used on mowers S/N PRIOR TO 20070912.
5. The instrument panel includes the decal.

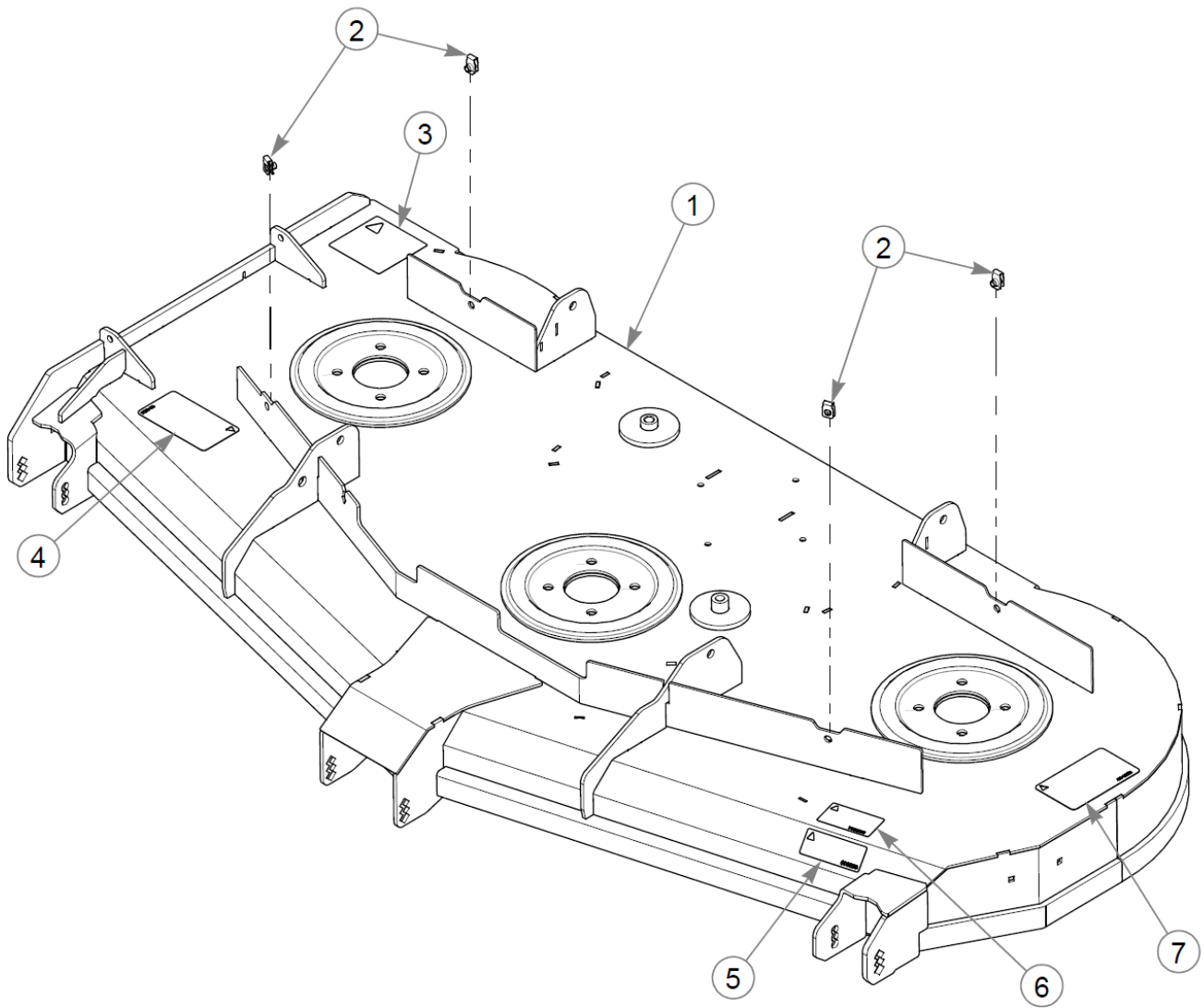


Battery

Item	Part No.	Qty	Name
1	794156	1	CS .250-20X2.750HXG5
2	601930	1	CS .250-20 X 6.50 HX G5
3	768515	2	FW 0.281SAE
4	029868	4	LW .250 INTEXT ZN
5	024927	2	NT .250-20HXG5
6	771428	1	BATTERY CBL BOOT-RED(FS)
7	604178	1	STRAP, TIE DOWN
8	055939	2	CS .250-20X0.75 HX G5 ZN
9	000331	4	WIRE TIE, SMALL/SHORT
10	124384-1	1	SUPPORT, CABLE
11	768523	5	FW 0.343SAE
12	036236	1	CS .312-18X1.000HXG5
13	034272	2	NT .312-18HXG5
14	034280	2	CS .312-18X0.750HXG5
15	016832	1	NT .312-18FLKG5

Comments for Page: Battery

1. When performing service on the mower, disconnect the negative battery cable (black) and do not reconnect it to the battery until ready to start the engine.

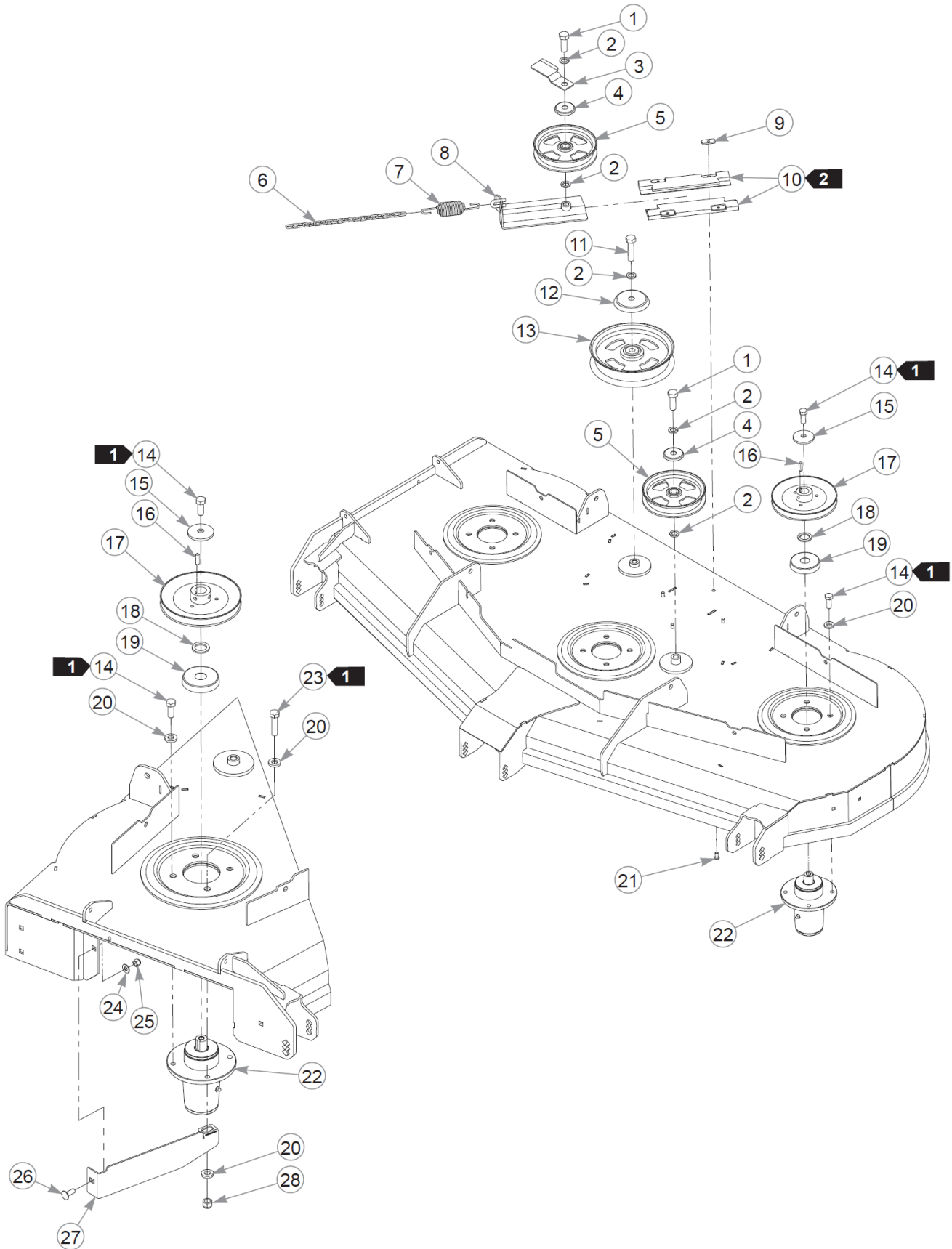


Service Deck

Item	Part No.	Qty	Name
1	555301	1	SVC, DECK DECAL 72"
2	601069	4	CN .312-18x.200 MAX THK
3	781419	1	DECAL, BELT ROUTING
4	604221	1	DECAL, DANGER / CHUTE
5	608235	1	DECAL, VX
6	786285	1	DECAL, 72 DECK ID
7	604222	1	DECAL, DANGER / OBJECTS

Comments for Page: Service Deck

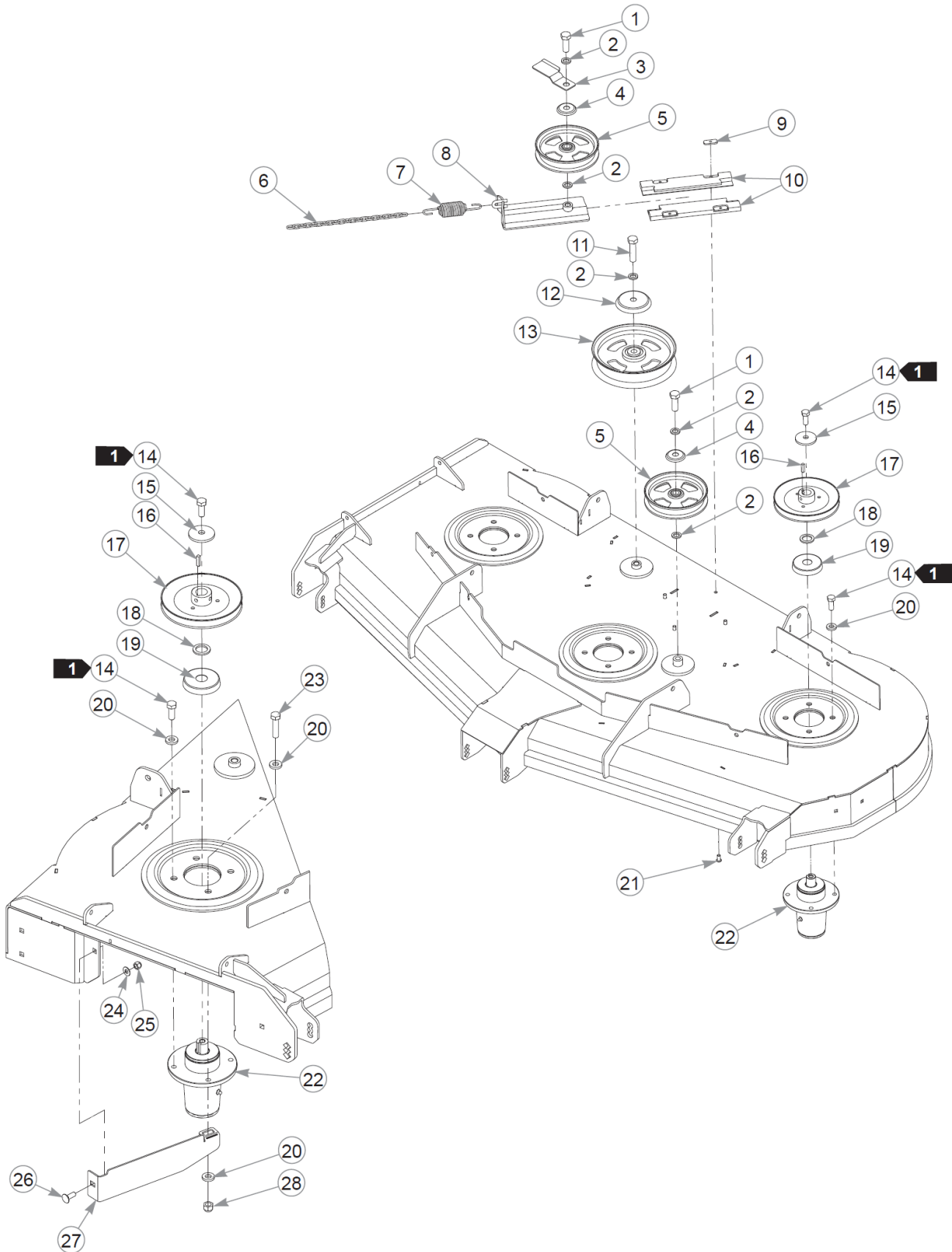
1. The frame includes the decals and hardware.



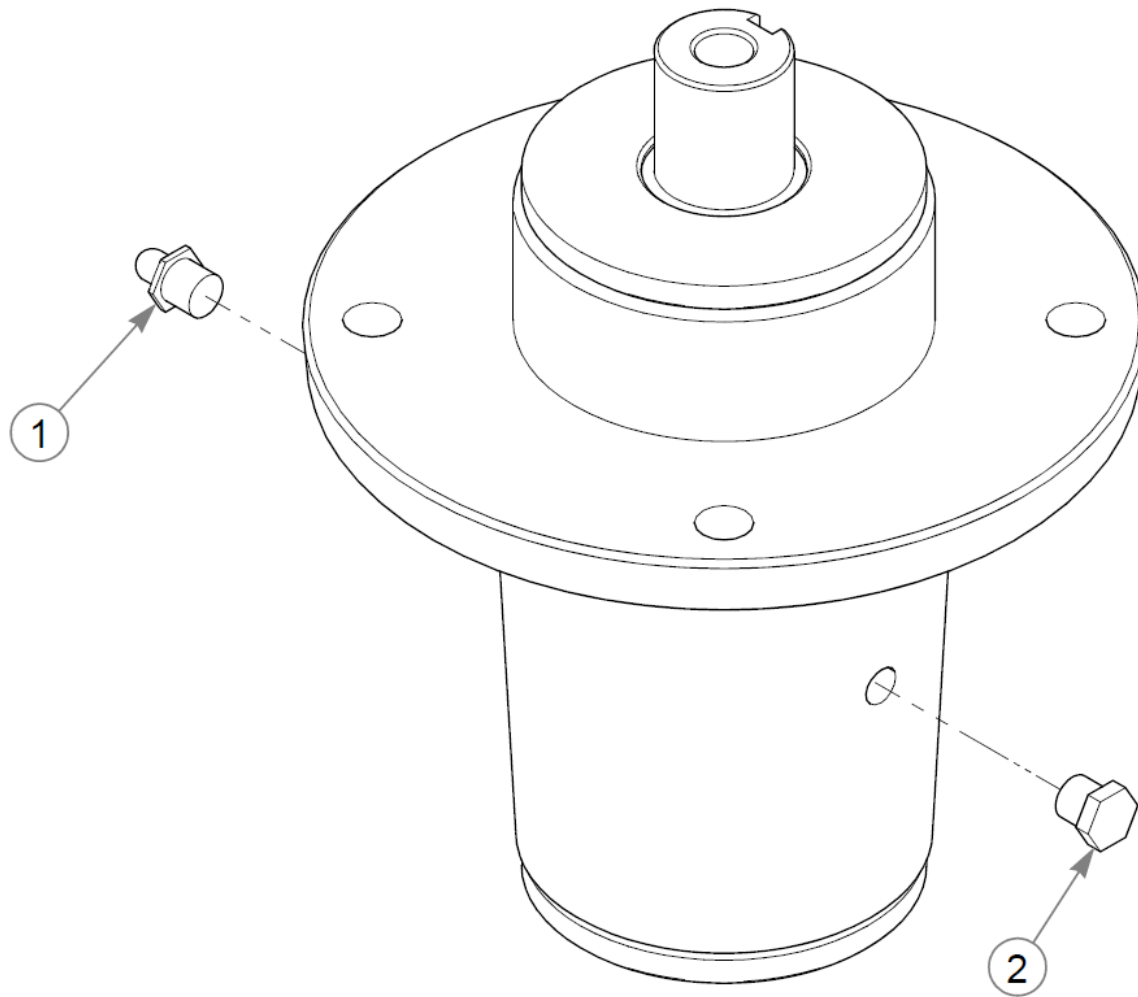
Item	Part No.	Qty	Name
1	025007	2	CS .62511X1.750HXG5
2	028118	5	FW 0.625X1.00X.13 ZN
3	606460	1	GUIDE, BELT
4	608144	2	SHIELD, DUST
5	602821	2	IDLER, 6.0" COMMERCIAL
6	373191	1	CHAIN, 21 LINK
7	781302	1	IDLER SPRING
8	350884	1	SLIDE, DECK IDLER
9	603023	4	WN .312-18 ZN
10	602936	2	IDLER SLIDE, UHMW
11	025015	1	CS .625-11X2.500HXG5
12	602963	1	DUST SHIELD, IDLER LG
13	602838	1	IDLER, 8.0" COMMERCIAL
14	705954	14	CS .500-13X1.25 HX G5 ZN
15	752386	3	CW .515X 2.25X .204 BLK
16	212472	3	KEY 1/4 SQ X 1.00 LG(FS)
17	538850	3	PULLEY, DRIVE(723486) B
18	045765	3	FW 1.030X1.50X.13 HD ZN
19	607409-4	3	DUST SHIELD
20	767962	13	FW .531 x 1.063 x .175
21	603022	4	CS .312-18X.625 BH ZN
22	607407	3	SPINDLE ASSY, DUCTILE
23	078949	1	CS .500-13X2.000 FUL HX
24	767954	1	FW 0.379X.82X.06 HD ZN
25	086660	1	NT .375-16NLG8
26	025395	1	CB .375-16X 1.00 G5 ZN
27	126184-1	1	DIVERTOR, DISCHARGE 72"
28	781567	1	NT .500-13NLG5

Comments for Page: Deck Pulleys & Spindles - S/N 20100268 & HIGHER

1. Torque to 67–75 ft-lbs.
2. Torque to 3–6 ft-lbs.

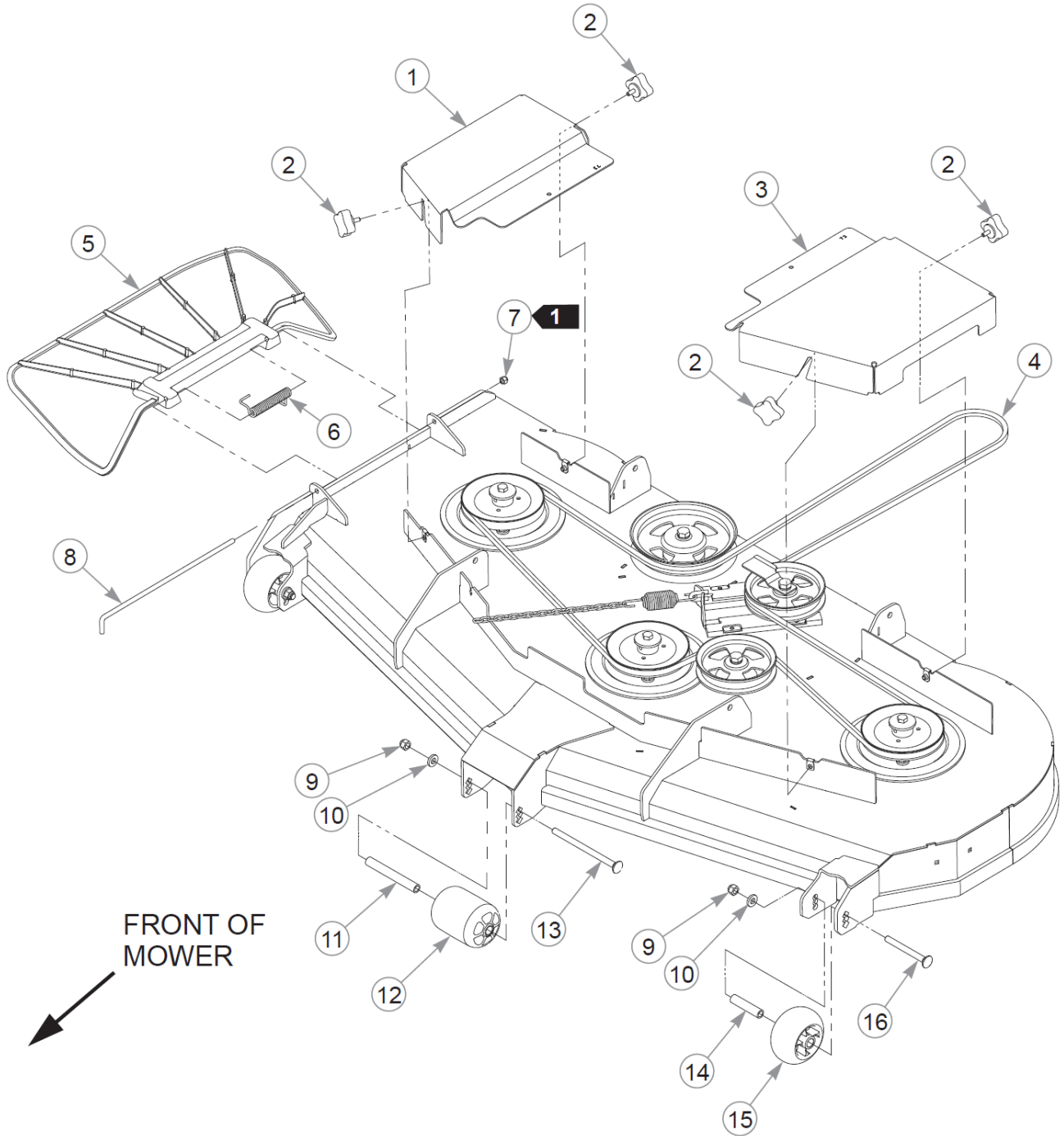


Item	Part No.	Qty	Name
1	025007	2	CS .62511X1.750HXG5
2	028118	5	FW 0.625X1.00X.13 ZN
3	606460	1	GUIDE, BELT
4	608144	2	SHIELD, DUST
5	602821	2	IDLER, 6.0" COMMERCIAL
6	373191	1	CHAIN, 21 LINK
7	781302	1	IDLER SPRING
8	350884	1	SLIDE, DECK IDLER
9	603023	4	WN .312-18 ZN
10	602936	2	IDLER SLIDE, UHMW
11	025015	1	CS .625-11X2.500HXG5
12	602963	1	DUST SHIELD, IDLER LG
13	602838	1	IDLER, 8.0" COMMERCIAL
14	705954	14	CS .500-13X1.25 HX G5 ZN
15	752386	3	CW .515X 2.25X .204 BLK
16	212472	3	KEY 1/4 SQ X 1.00 LG(FS)
17	538850	3	PULLEY, DRIVE(723486) B
18	045765	3	FW 1.030X1.50X.13 HD ZN
19	607409-4	3	DUST SHIELD
20	767962	13	FW .531 x 1.063 x .175
21	603022	4	CS .312-18X.625 BH ZN
22	607407	3	SPINDLE ASSY, DUCTILE
23	078949	1	CS .500-13X2.000 FUL HX
24	767954	1	FW 0.379X.82X.06 HD ZN
25	086660	1	NT .375-16NLG8
26	025395	1	CB .375-16X 1.00 G5 ZN
27	126184-1	1	DIVERTOR, DISCHARGE 72"
28	781567	1	NT .500-13NLG5

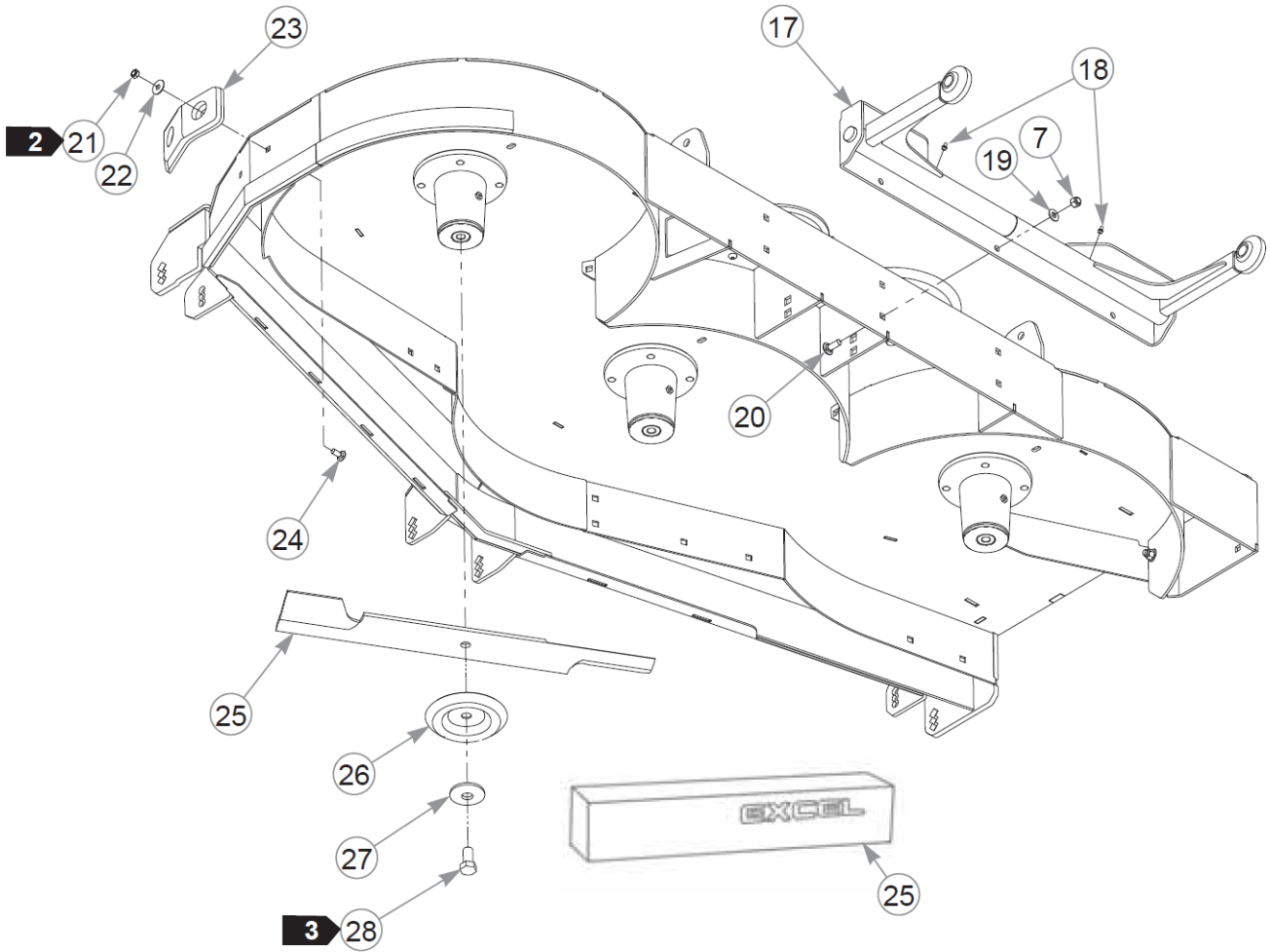


Spindle Assembly Service Parts - 607407

Item	Part No.	Qty	Name
1	607477	1	GREASE ZERK
2	607478	1	RELIEF FITTING



This page intentionally left blank



Item	Part No.	Qty	Name
1	126185-1	1	PULLEY COVER, RS 72"
2	792002	4	KNOB,5/16-18 X 3/4"MALE
3	126186-1	1	PULLEY COVER, LS 72"
4	742866	1	BELT, B 189.33" EL
5	602891	1	CHUTE, DISCHARGE LG
6	602435	1	SPRING, TORSION
7	086660	7	NT .375-16NLG8
8	602432	1	PIN, CHUTE
9	781567	3	NT .500-13NLG5
10	767962	3	FW .531 x 1.063 x .175
11	602344	1	SPACER, ANTI- SCALP 5.73
12	602341	1	WHEEL, ANTI-SCALP
13	602338	1	CB .50-13 X 7.50 STD ZN
14	602345	2	SPACER, ANTI-SCALP 3.22
15	602263	2	WHEEL, ANTI-SCALP
16	607288	2	CB .50-13X4.75 STD ZN
17	124086	1	PUSHER, W/A
18	015495	2	GREASE FITTING STRAIGHT
19	767954	6	FW 0.379X.82X.06 HD ZN
20	025395	6	CB .375-16X 1.00 G5 ZN
21	604251	2	NT .312-18 HXNL JAM G2ZN
22	079210	2	FW 0.344X1.0X0.06 ZN
23	605376	1	DECK BUMPER
24	016253	2	CB .312-18X .750 FUL ZN
25	602857	3	BLADE, F24.50" EHN-F-CW
Not Shown	602857X	1	6PK BLADE, F24.50" EHN-F
Not Shown	798710	3	BLADE, 24.50"-MUL-F-CW
Not Shown	798710X	1	10PK BLADE, 24.50"-MUL-F
Not Shown	798728	3	BLADE, 24.50"-GAT-F-CW
Not Shown	798728X	1	10PK BLADE, 24.50"-GAT-F
Not Shown	798702	3	BLADE, F24.50"-H-F-CW
Not Shown	798702X	1	10PK BLADE, F24.50"-H-F-
26	114988	3	SHIELD, BLADE BOLT
27	782474	3	CW .678 X 2.250 X .187
28	781872	3	CS .625-11X1.250HXG5

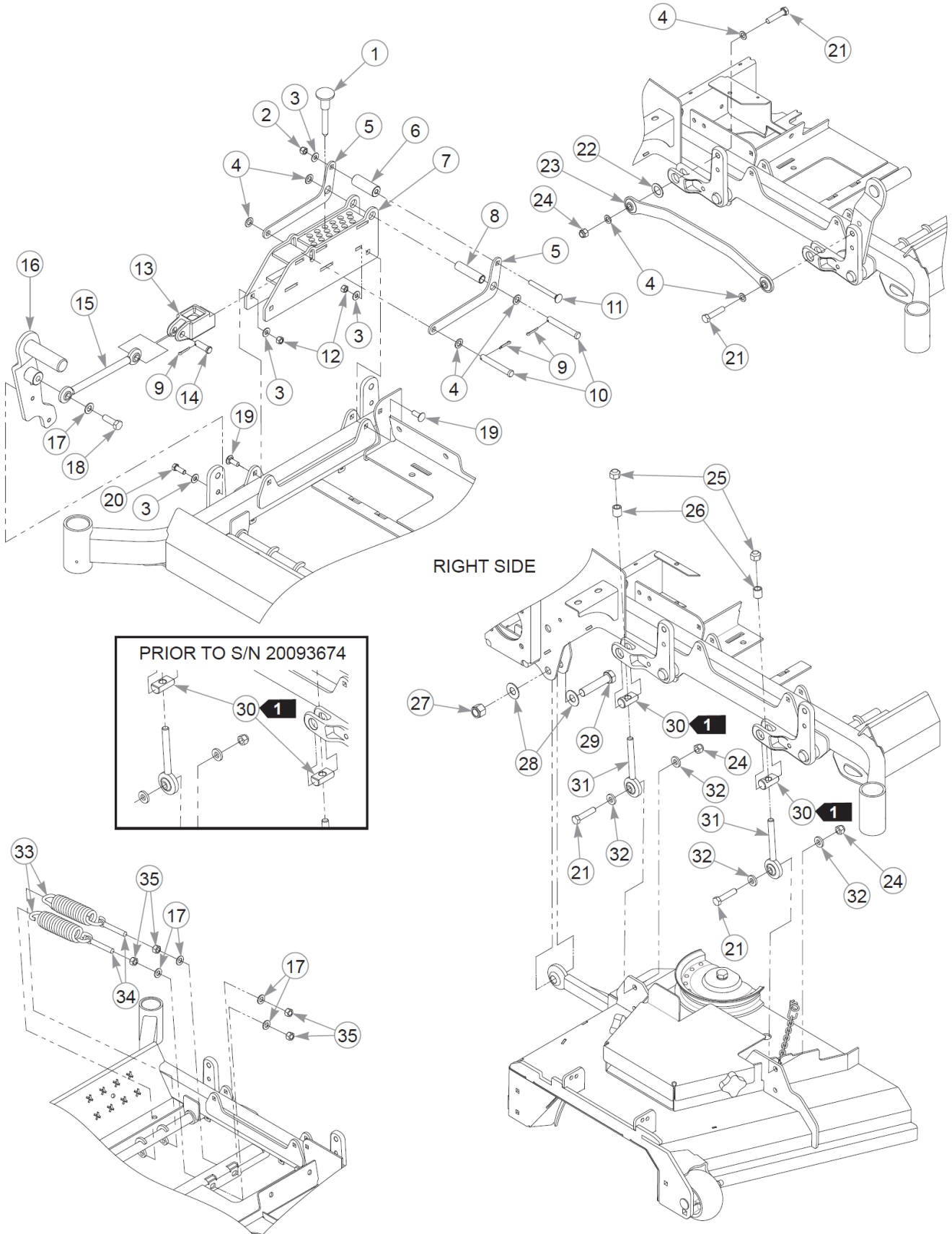
Deck, Deck Belt & Blades (Multi-Page)

72" X-ONE Parts Manual - 940106 - HTX1TS072KAWFX850VA

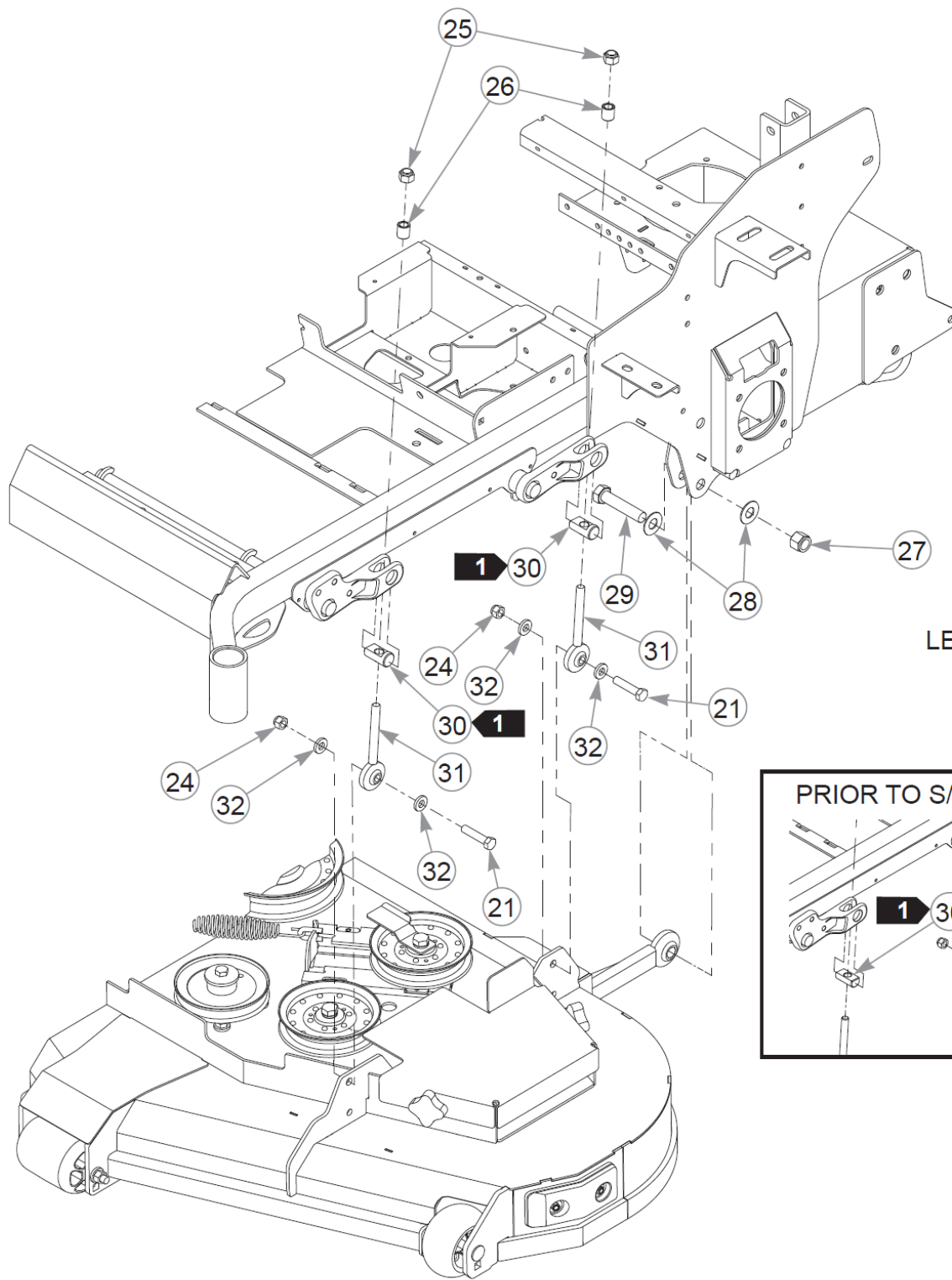
Comments for Page: Deck, Deck Belt & Blades (Multi-Page)

1. Do not torque; the discharge chute must pivot freely.
2. Torque to 3–6 ft-lbs.
3. Torque to 118 ft-lbs.

This page intentionally left blank



This page intentionally left blank



Deck Lift & Deck Height (Multi-Page)

72" X-ONE Parts Manual - 940106 - HTX1TS072KAWFX850VA

Item	Part No.	Qty	Name
1	606918	1	MAGNETIC PIN, 1/2 x 3.13
2	086660	1	NT .375-16NLG8
3	767954	7	FW 0.379X.82X.06 HD ZN
4	718288	7	FW .516X.88X.09 ZN
5	124361-4	2	LATCH HANDLE
6	117489	1	SPACER, LATCH
7	124357-1	1	DECK HEIGHT W/A
8	604075	1	SPACER, CYLINDER
9	017251	3	CP .156DX1.000 LG HML Z
10	025965	2	CE .500X3.50 .156X3.34
11	041848	1	CB .375-16X 3.500 FUL Z
12	054502	4	NT .375-16HXG5
13	606895	1	SLIDER, DECK LIFT
14	068056	1	CE .500X1.50 .150X1.32
15	122994	1	DECK HEIGHT LINK, W/A
16	124291-1	1	PEDAL W/A
17	004168	5	FW .531x1.00x.090 ZN
18	074252	1	CS .500-13X1.50 HX G5 ZN
19	025395	4	CB .375-16X 1.00 G5 ZN
20	036244	2	CS .375-16X1.00 HX G5 ZN
21	761544	6	CS .500-13X2.250HXG8
22	122996	1	LINK SPACER
23	122987	1	DECK LIFT LINK, W/A
24	781567	5	NT .500-13NLG5
25	606316	4	NT 0.563-18 NLGC
26	606292	4	DECK LEVEL SPACER
27	061101	2	NT .750-10 HX ZN NL GR B
28	025296	4	FW .760X1.63X0.08 ZN
29	789115	2	CS .750-10X3.500HXG5
30	607979	4	DECK LEVEL PIVOT
Not Shown	606291	4	DECK LEVEL PIVOT
31	606290	4	W/A DECK LEVEL ROD END
32	767962	8	FW .531 x 1.063 x .175
33	606454	2	SPRING, EXT 7.0 300LB/IN
34	606478	2	EB, .500-13X3.00 FULTHD
35	008193	4	NT .500-13HXG5

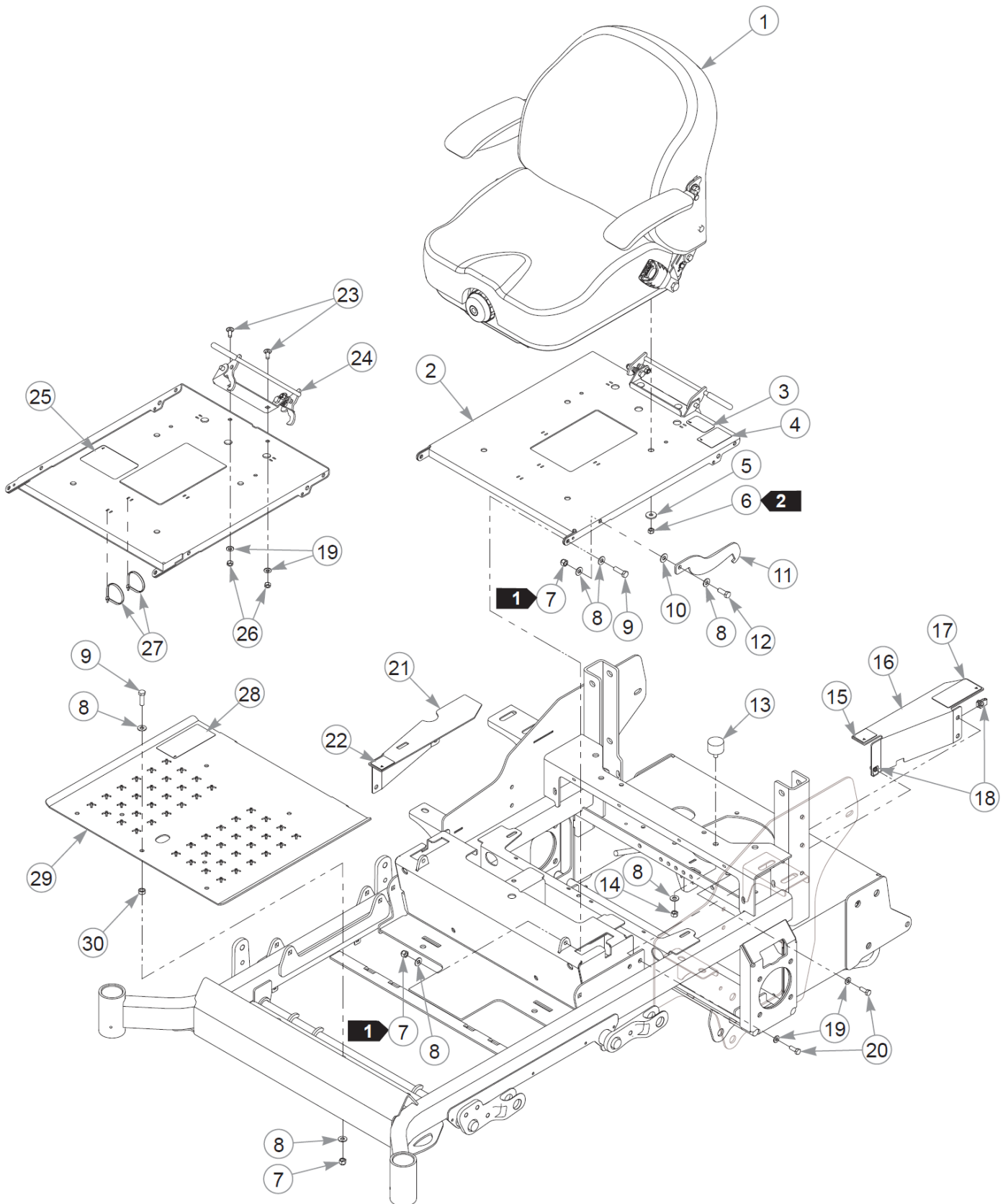
Deck Lift & Deck Height (Multi-Page)

Comments for Page: Deck Lift & Deck Height (Multi-Page)

1. 607979 is used on mowers S/N 20093674 & HIGHER.

606291 is used on mowers S/N PRIOR TO 20093674.

This page intentionally left blank

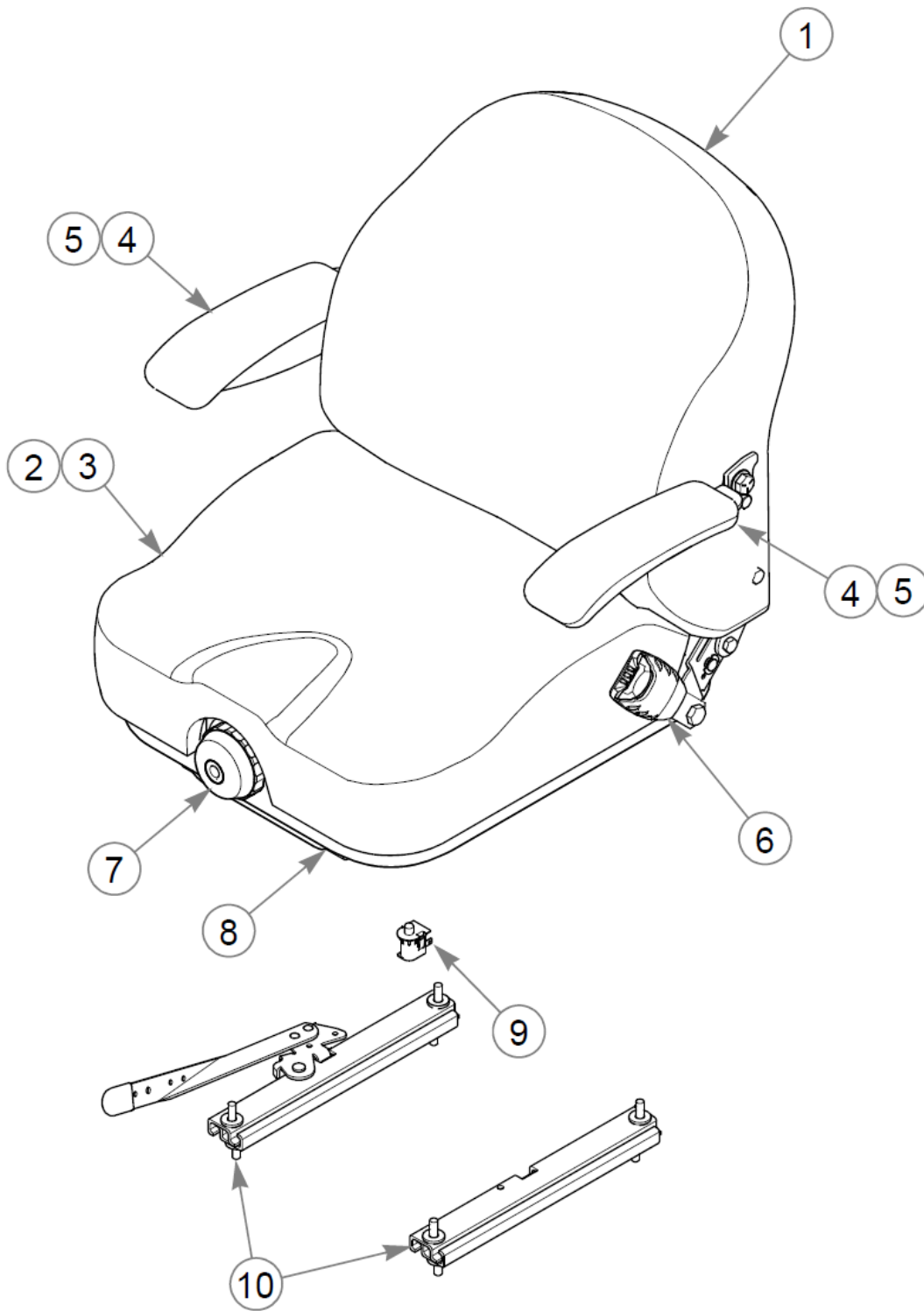


Seat & Floor Pan

Item	Part No.	Qty	Name
1	607706	1	SEAT, I3M SEATS INC
2	555027	1	SVC, SEAT PAN
3	605688	1	DECAL, LEVEL FUEL FILL
4	785188	1	DECAL, Z ARMREST WARNING
5	712927	4	FW 0.344X1.00X.12 HD ZN
6	058776	4	NT .312-18NLG5
7	086660	4	NT .375-16NLG8
8	767954	10	FW 0.379X.82X.06 HD ZN
9	052860	3	CS .375-16X1.25 HX G5 ZN
10	724716	1	WASHER, FIBER (FS)
11	350421	1	SEAT PAN STOP (PLATED)
12	036244	1	CS .375-16X1.00 HX G5 ZN
13	601650	2	VIBRATION MOUNT 70DURO
14	054502	2	NT .375-16HXG5
15	785139	1	DECAL, STEERING L.S.
16	550823	1	FRAME COVER LS, SERVICE
17	600899	1	DECAL, PUMP BELT WARNING
18	601069	5	CN .312-18x.200 MAX THK
19	768523	7	FW 0.343SAE
20	064014	5	CS .312-18X0.875HXG5
21	550824	1	FRAME COVER RS, SERVICE
22	785220	1	DECAL, STEERING R.S.
23	016253	2	CB .312-18X .750 FUL ZN
24	605907	1	LATCH ASSEMBLY
25	601815	1	DECAL, BATTERY WARNINGS
26	034272	2	NT .312-18HXG5
27	000331	2	WIRE TIE, SMALL/SHORT
28	606894	1	DECAL, DECK HEIGHT
29	554563	1	SVC, FLOOR PAN
30	118900	1	SPACER, DECK LIFT LINK

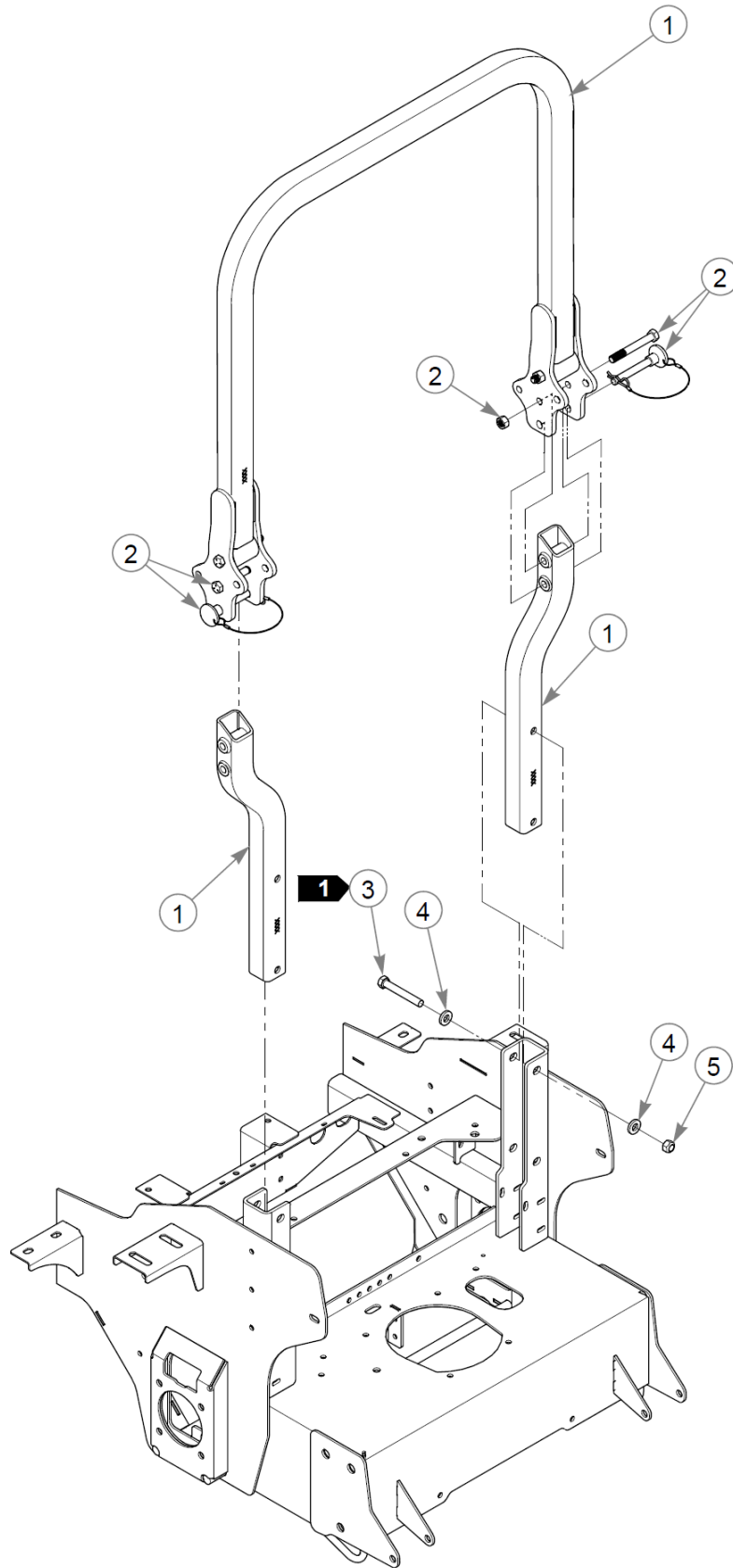
Comments for Page: Seat & Floor Pan

1. Do not torque; the seat pan and seat pan stop must pivot freely.
2. Torque to 17 ft-lbs.
3. The seat pan, frame covers, and floor pan include the decals.



Seat Service Parts - 607706

Item	Part No.	Qty	Name
Not Shown	607706	1	SEAT, I3M SEATS INC
1	607707	1	SVC, SEAT BACK COVER
2	608351	1	SVC, SEAT FOAM I3M
3	607708	1	SVC, SEAT CUSHION COVER
4	607166	1	SVC, ARM REST KIT
5	606081	2	SVC, ARM PADS
6	607207	1	SVC, SEAT BELT
7	607206	1	SVC, KNOB KIT
8	607205	1	SVC, BELLOWS
9	606082	1	SVC, OPS
10	607204	1	SVC, TRACK KIT



ROPS

Item	Part No.	Qty	Name
1	608230	1	SVC, ROPS ASSY
2	608125	1	ROPS HARDWARE KIT
3	061812	4	CS .500-13X3.50 HX G5 ZN
4	767962	8	FW .531 x 1.063 x .175
5	023317	4	NT .500-13UNTG8

Comments for Page: ROPS

1. Torque to 73 ft-lbs.