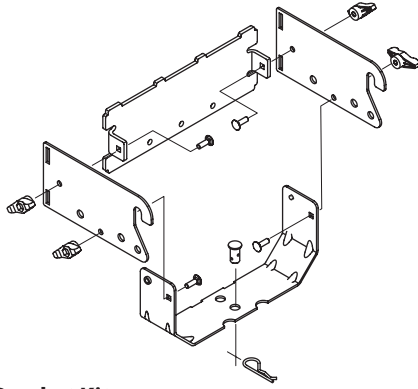


# Contents of Carton

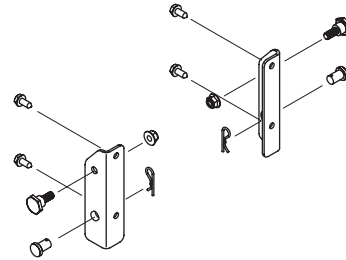
# 2

Before beginning installation, remove all parts from the carton to make sure everything is present. Carton contents are listed below and shown below.

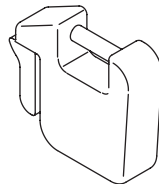
- Hitch Bracket Kit (3 brackets & Hardware Pack 689-00328A)
- Hitch Support Bracket
- 700 Series Mount Kit (2 brackets & hardware)
- Suitcase Weight (Styles may vary)



**Hitch Bracket Kit** (3 brackets & Hardware Pack 689-00328A)  
and Hitch Support

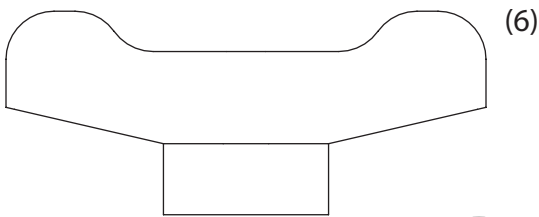


**700 Series Mount Kit**  
(2 brackets & hardware)

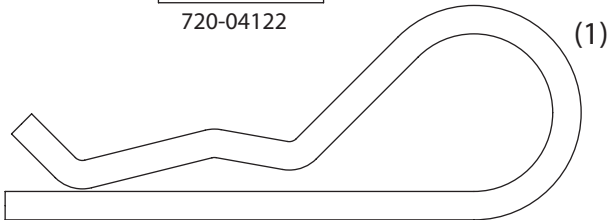


**Suitcase Weight**  
(Styles may vary)

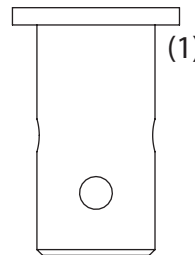
## Hardware Pack 689-00328A



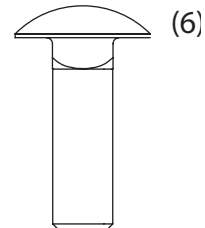
720-04122



(714-0117)



(711-0309A)



710-0276

## 700 Series Tractors Only

**NOTE:** References to left, right, front and rear of the tractor are from the operator's position, unless otherwise stated.

- Before assembly, place the tractor on a firm, level surface, disengage the PTO, stop the tractor engine and set the parking brake.
- For convenience, pivot the seat forward and leave it in that position until the grass collector is fully mounted and assembled.

If you are assembling this weight unit for use on any model 700 series tractor you will need to install the two tractor mounting brackets packed in your weight kit. If you are installing this weight kit on any other tractor, disregard these steps and move to Assemble Mounting Brackets on the next page.

To install these brackets on a model 700 series tractor, follow these steps:

1. Install a shoulder bolt on each bracket, if not already done so by the factory, securing them with flange lock nuts which both are included within the kit's hardware. Refer to Figure 3-1.
2. Insert clevis pins on each bracket, securing them with clip pins also included with the kit's hardware. Refer to Figure 3-1.

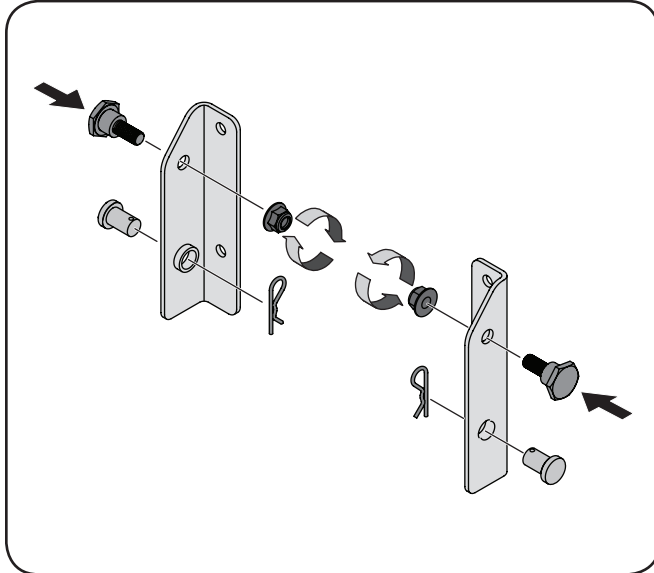


Figure 3-1

3. Mount the 700 series tractor mounting brackets to your tractor using four self-tapping hex screws included with your kit. See Figure 3-2.

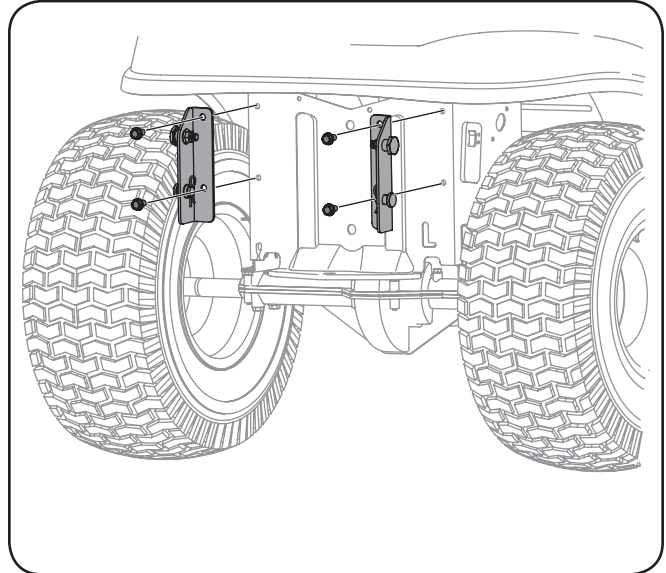


Figure 3-2

## Assemble Mounting Brackets

To assemble the universal mounting assembly, locate the mounting assembly pack and follow these steps:

1. Attach the two hitch side brackets to the universal rear attachment bracket using two (710-0276) carriage bolts and (720-04122) wing knobs included in hardware pack 689-00328A.

**Note:** The hooks on the side brackets should point downwards and the tabs on the rear plate point upwards as shown in Figure 3-3.

**Note:** This universal mounting bracket assembly is designed to work with other available attachments, such as a grass bagger. Utilize the contact information on page 2, or contact the retailer in which you purchased this equipment, to find out more about available attachments for your specific tractor or refer to the Attachments & Accessories section of the tractor's Operator Manual.

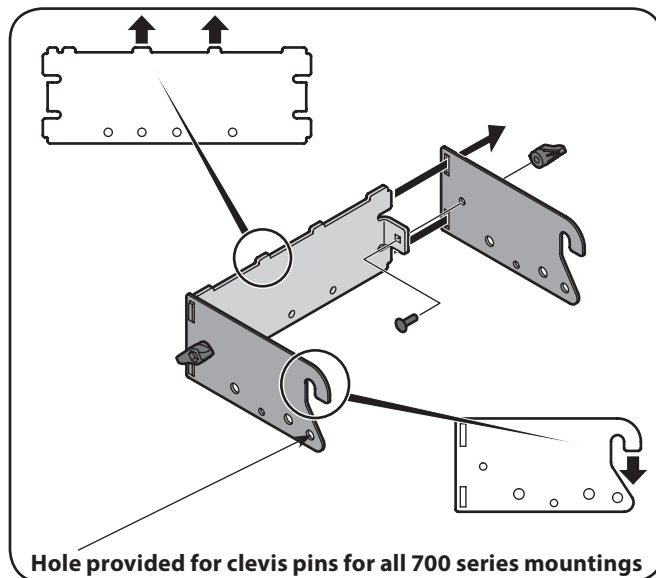


Figure 3-3

2. Flip over assembly and mount the hitch support bracket to the mounting assembly as shown in Figure 3-4.

**Note:** It might be easier during the mounting stage to leave this hardware only finger tight to facilitate lining up the hitch hole for the clevis pin. You will be instructed to tighten this later in this manual if you chose to only finger tighten this hardware now.

**Note:** The holes closest to the mounting hooks are to be used for all 700 model series machines, while the two holes closest to the cross mount are for all other models. The hitch support bracket will need to be flipped to enable alignment of the proper holes depending on the model of machine this weight kit is being installed on. See Figure 3-4.

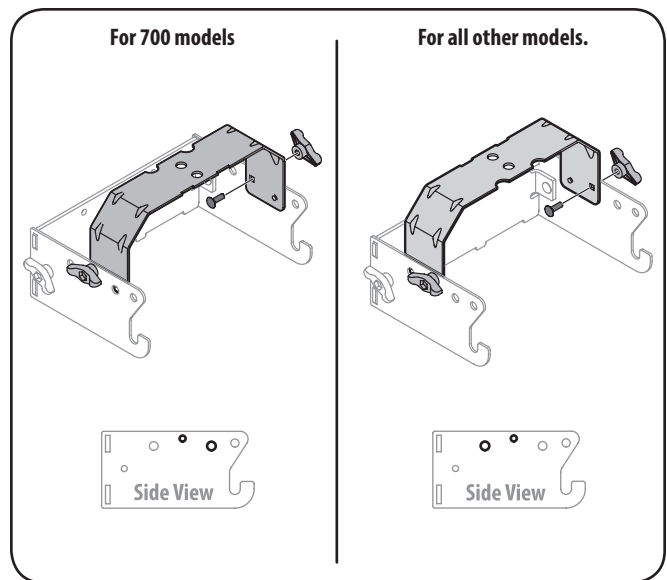


Figure 3-4

## Mount Assembly on Tractor

Install mounting assembly on tractor as follows:

1. Place the hooked ends of the mounting assembly over the shoulder bolts, as in Figure 3-5, on the tractor and line up the hitch support bracket center hole with the hole on the tractor's hitch.

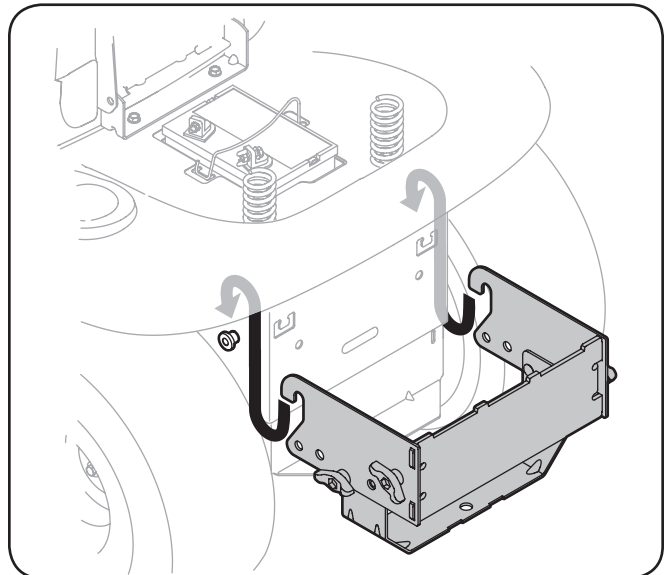
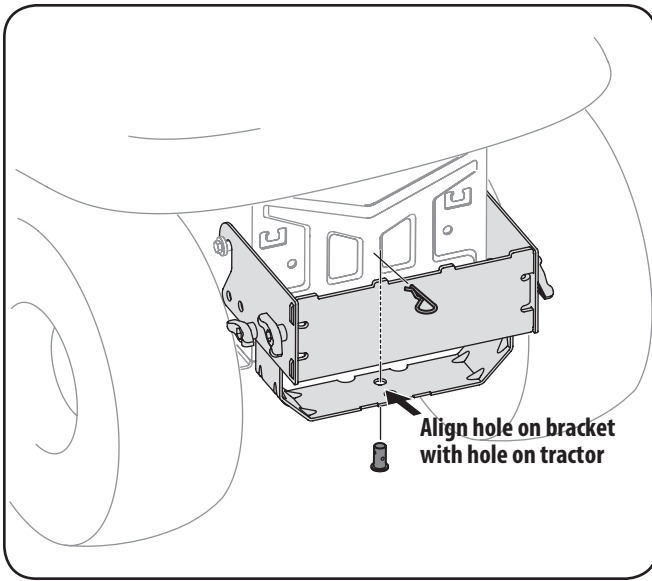


Figure 3-5

2. Install the (711-0309A) clevis pin, included in hardware pack 689-00328A, into the tractor's hitch and secure with a (714-0117) clip pin from the same hardware pack. See Figure 3-6.

**Note:** The clevis pin can be fed down through the hitch plate and secured underneath with the hairpin clip, or it may be easier to feed the clevis pin up through the hitch plate hole and secure with the hairpin clip on the topside. The latter method may be preferred since it can be easier to insert the hairpin clip. Either way will work, the decision should be based on operator preference.

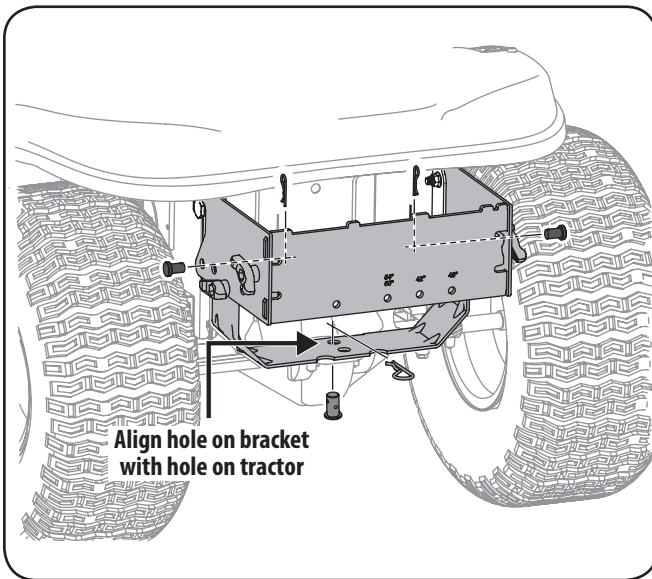


**Figure 3-6**

**Note:** If you decided to leave the hitch support only finger tight during the assembly process, tighten all of the hardware securely at this time.

#### If Mounting Assembly onto 700 Series Tractors

**Note:** Install two clevis pins through the mounting assembly and secure to the 700 series mounting brackets using two click pins provided with the model 700 mounting kit. Refer back to Figure 3-3 for clevis pin hole location and see Figure 3-7 below.

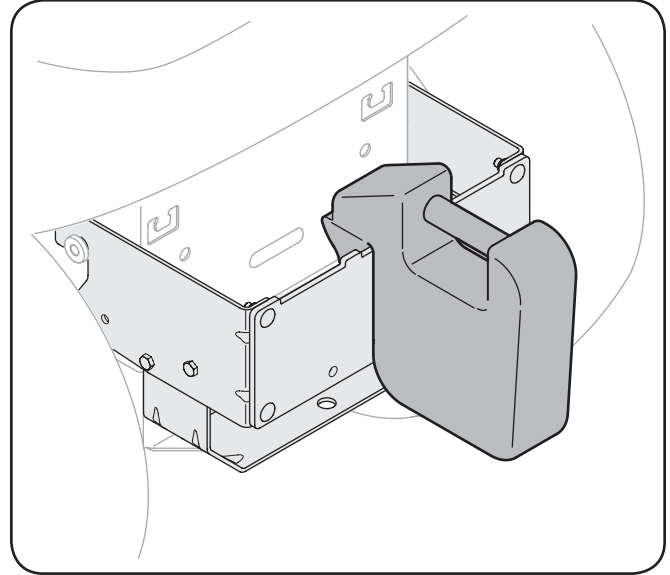


**Figure 3-7**

**Note:** If you decided to leave the hitch support only finger tight during the assembly process, tighten all of the hardware securely at this time.

## Install Suitcase Weights

Simply hook the included suitcase weight over the hitch bracket assembly as shown in Figure 3-8. More weights can be purchased as needed based on each individual application. Refer to the part list page in this manual to identify the part number, then refer to page 2 of this manual for company contact information to order additional suitcase weights or other parts.



**Figure 3-8**