

Hustler® Parts Manual



HUSTLER®
TURF EQUIPMENT

200 South Ridge Road

Hesston, Kansas

67062



NOTICE OF REQUIREMENT OF SPARK ARRESTER MUFFLER

This equipment may create sparks that can start fires around dry vegetation. California Public Resources Code Section 4442.6 provides that it is unlawful to use or operate an internal combustion engine on any forest-covered, brush-covered, or grass-covered land unless the engine is equipped with a spark arrester maintained in effective working order. A spark arrester is a device constructed of nonflammable materials specifically for the purpose of removing and retaining carbon and other flammable particles over 0.0232 of an inch in size from the exhaust flow of an internal combustion engine that uses hydrocarbon fuels or which is qualified and rated by the United States Forest Service. Other states or federal areas may have similar laws. The Operator Should Contact Local Fire Agencies For Laws or Regulations Relating to Fire Prevention Requirements. **THIS EQUIPMENT DOES NOT HAVE A SPARK ARRESTER AND YOU SHOULD CONTACT YOUR AUTHORIZED DEALER FOR THE PURCHASE OF A SPARK ARRESTER.**

Inspect spark arrester daily; replace every 500 hours or as needed.

The Engine Owner's Manual provides information regarding the U.S. Environmental Protection Agency (EPA) and the California Emission Control Regulation of emission systems, maintenance and warranty.

Keep Engine Owner's Manual with your unit. Should the Engine Owner's Manual become damaged or illegible, replace immediately. Replacements may be ordered per the information found in the Product Information section of the owner's manual.

Federal law and California State law prohibit the following acts or the causing thereof:

1. The removal or rendering inoperative by any person other than for purposes of maintenance, repair, replacement, of any device or element of design incorporated into any equipment for the purposes of emissions control prior to or after its sales or delivery to the ultimate purchaser or while it is in use, or
2. The use of the equipment after such device or element of design has been removed or rendered inoperative by any person.

General Information	1
Frame, Operator Platform & Tower Pad	
Frame	4-1
Operator Platform	4-2
Transmissions, Drive Belt, Steering & Brake	
Transmissions & Drive Belt	5-1
Transmission Service Parts 608382 & 308383	5-2
Steering (Multi-Page)	5-3
Park Brake	5-4
Wheels, Tires & Fenders	
Wheels & Tires	6-1
Front Wheel Assembly	6-2
Deck Gauge Wheel Breakdown - Black Wheel	6-3
Drive Wheel Assembly	6-4
Engine, Muffler, Clutch & Fuel System	
Engine, Muffler & Clutch (Multi-Page)	7-1
Engine Service Parts - FS541V	7-2
Fuel System	7-3
Instrument Panel, Wire Harness & Battery	
Instrument Panel & Wire Harness (Multi-Page)	8-1
Battery	8-2
Deck, Deck Belt, Blades, Deck Lift & Mounting	
Service Deck	9-1
Deck Pulleys & Spindles	9-2
Spindle Service Parts - 604214	9-3
Deck, Deck Belt & Blades	9-4
Deck Lift & Mounting Hardware (Multi-Page)	9-5
'QUICK LIST' Replacement Parts List	2

General Information

Note: When ordering parts, you must use the part number as shown for each part, not the index number. Always give the model and serial number to your parts and service representative.

Note: Items sold in bulk such as seals and hoses are sold by the foot.

Using This Manual

This manual is part of a service package for the Hustler® mowers. Use of this manual in conjunction with other Hustler® mower and component manuals will provide the information necessary to service and maintain Hustler® mowers.

This Parts Manual provides a complete parts listing for the unit. Use this manual when ordering parts. Illustrations used were current at the time of printing, but subsequent production changes may cause your machine to vary slightly in detail. Excel Industries, Inc. reserves the right to redesign and change the machine as deemed necessary, without notification. If a change has been made to your machine which is not reflected in this parts manual, see your authorized dealer for current information and parts.

The Service Manual is a service guide for use by Service Technicians. It provides the necessary information needed to perform normal maintenance requirements on these units.

The Operator's Manual provides fundamental operational information and operational safety that is needed when operating the mower.

The component manuals are furnished by the various manufacturers to be used for the troubleshooting and servicing of their products.

Hardware Description Codes & Abbreviations

The following codes are used throughout this parts manual. Refer to this list when ordering parts.

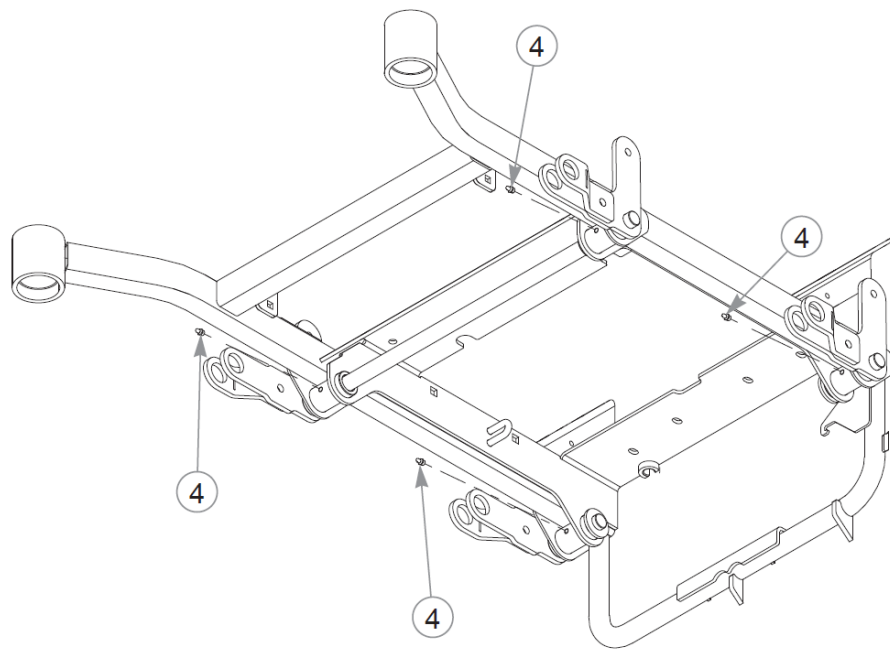
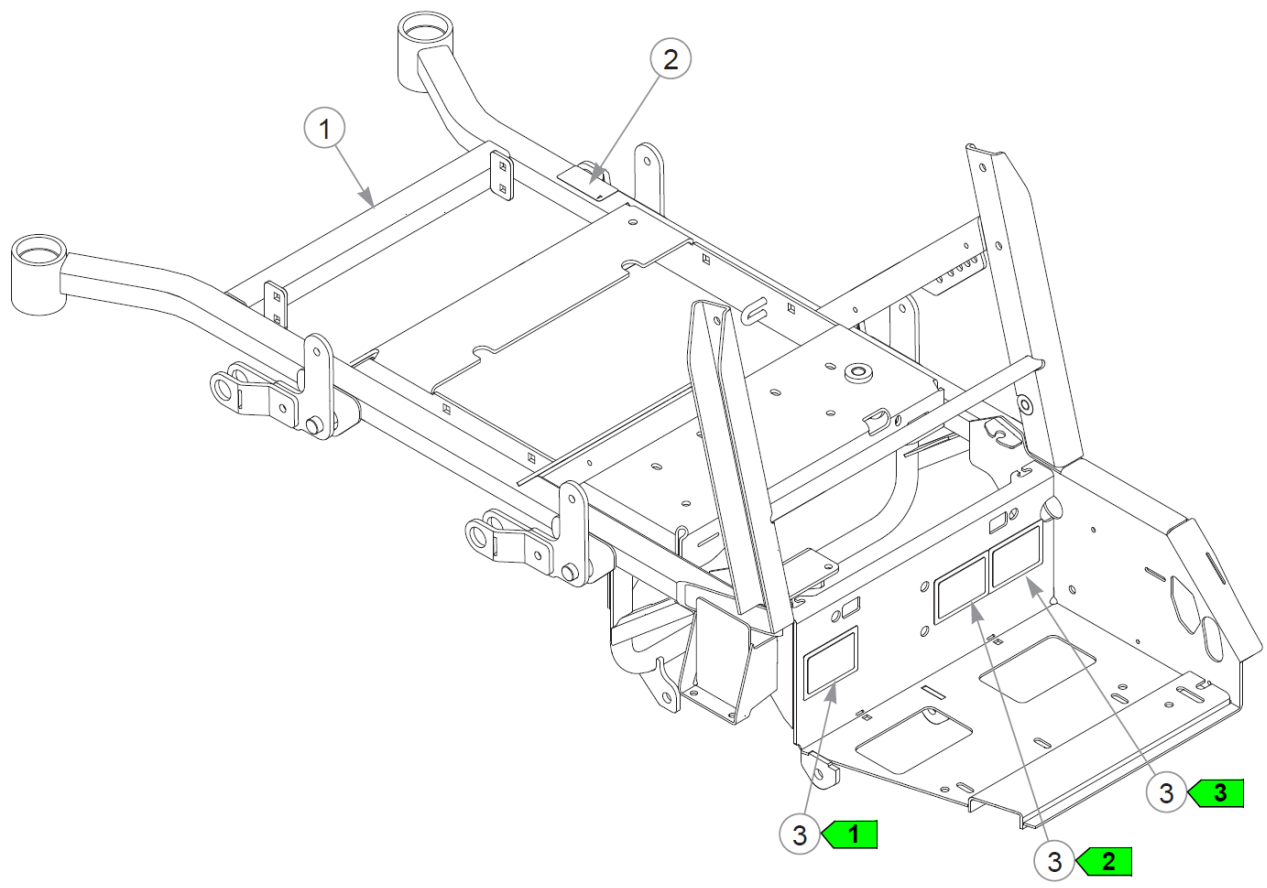
ABBREVIATION	DESCRIPTION	ABBREVIATION	DESCRIPTION
CB	CARRIAGE BOLT	MB	MACHINE BUSHING
CE	CLEVIS PIN	MS	MACHINE SCREW
CN	CLIP NUT	NT	NUT
CP	COTTER PIN	SC	SELF TAPPING CAP SCREW
CS	CAP SCREW	SH	SOCKET HEAD
CW	CUP WASHER	SB	SHOULDER BOLT
FDRW	FENDER WASHER	SS	SET SCREW
FW	FLAT WASHER	OD	OUTSIDE DIAMETER
HX	HEX HEAD	ID	INSIDE DIAMETER
LW	LOCK WASHER	WN	WELD NUT

Standard Torques

The following chart lists the standard torque values for the threaded fasteners found in this manual. Torque all cap screws, nuts and set screws to these values unless a different torque is shown in the Notes section next to the fastener.

SIZE	FT-LBS	N•M	SIZE	FT-LBS	N•M
.250	8.2	11.1	M3	1	1.3
.312	17	23	M4	2.2	3
.375	30	40	M5	4.5	6.1
.438	48	65	M6	7.7	10.4
.500	73	99	M8	18.5	25
.562	105	143	M10	37	50
.625	145	200	M12	64	87
.750	260	350	M14	80	108.5
.875	420	565	M16	160	215
1.00	625	850	M20	320	435
			M24	555	750

This page intentionally left blank



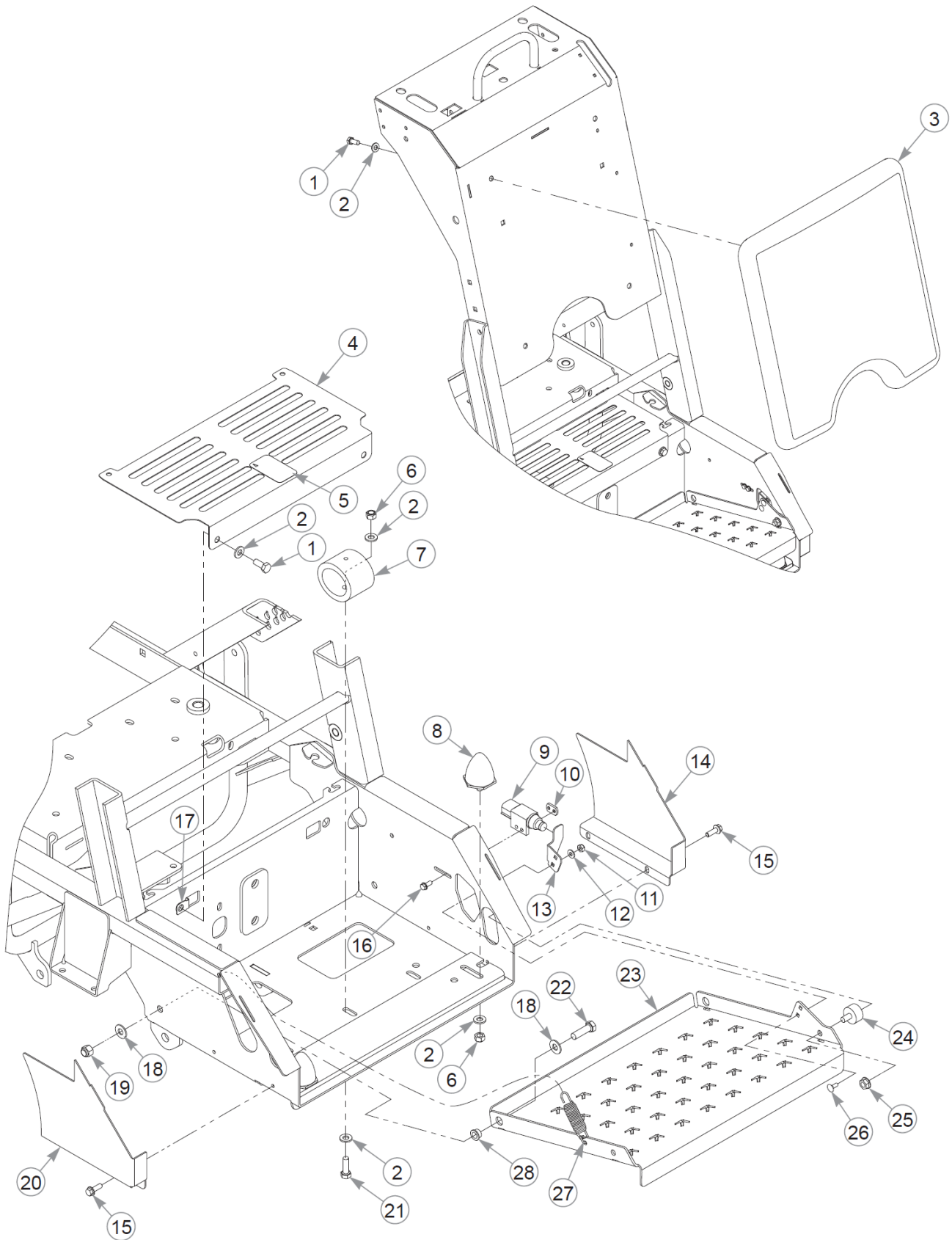
SHOWN FROM BOTTOM

Frame

Item	Part No.	Qty	Name
1	556124	1	SVC, FRAME
2	602041	1	DECAL, HOT
3	N/A	3	SERIAL NUMBER / SPEC DECAL
4	015495	4	GREASE FITTING STRAIGHT

Comments for Page: Frame

1. Serial number decal. In the event the serial number decal becomes damaged or illegible, please contact your dealer to order a replacement.
2. EPA compliance decal.
3. Patent numbers decal.
4. The frame includes the decals.

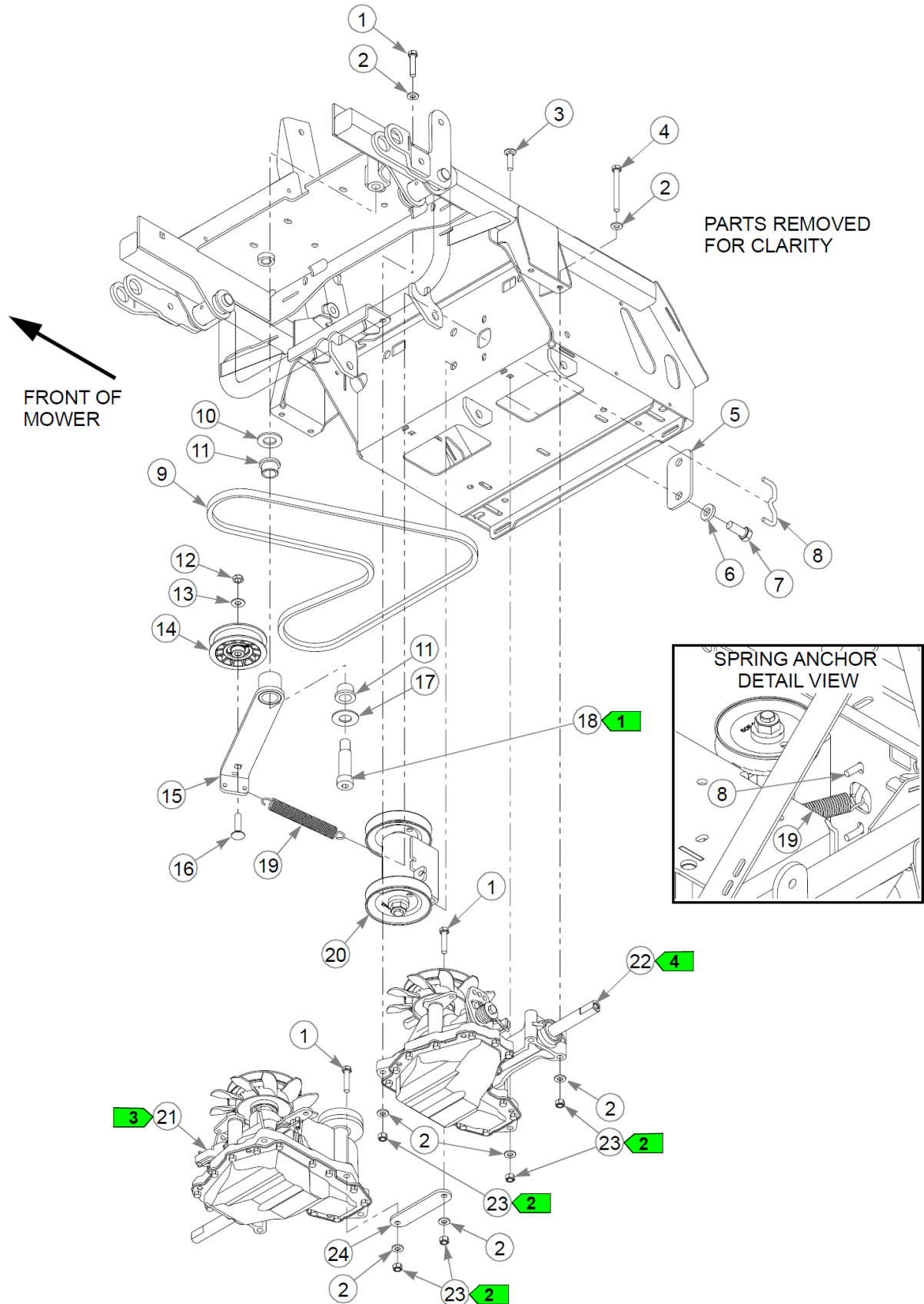


Operator Platform

Item	Part No.	Qty	Name
1	034280	6	CS .312-18X0.750HXG5
2	768523	10	FW 0.343SAE
3	608493	1	OPERATOR PAD
4	556125	1	SVC, TRANSMISSION COVER
5	605688	1	DECAL, LEVEL FUEL FILL
6	058776	3	NT .312-18NLG5
7	608252	1	BUMPER
8	605962	2	SNUBBING BUMPER
9	602538	1	SWITCH PLUNGER, NC/NO
10	601822	1	NUT PLATE, .420 CENTERS
11	059832	2	NT #10-24 HX NL ZN
12	704932	2	FW 0.219X.50X.05 ZN
13	127584-1	1	SWITCH TAB
14	127586-1	1	SWITCH COVER, RS
15	604324	4	CS .250-20 X .75 HX FLG
16	060731	2	CS 10-24X .500 HXFLK ZN
17	601069	2	CN .312-18x.200 MAX THK
18	767954	4	FW 0.379X.82X.06 HD ZN
19	086660	2	NT .375-16NLG8
20	127587-1	1	SWITCH COVER, LS
21	036236	1	CS .312-18X1.000HXG5
22	052860	2	CS .375-16X1.25 HX G5 ZN
23	127583-1	1	FLOOR PAN
24	605960	2	ISOLATOR, 1.00" DIA
25	016832	2	NT .312-18FLKG5
26	601098	2	CB 10-24 X .500 ZYNC
27	607201	1	SPRING, EXTENSION
28	765339	2	BUSHING,IGUS#0608 (FS)

Comments for Page: Operator Platform

1. The transmission cover includes the decal.

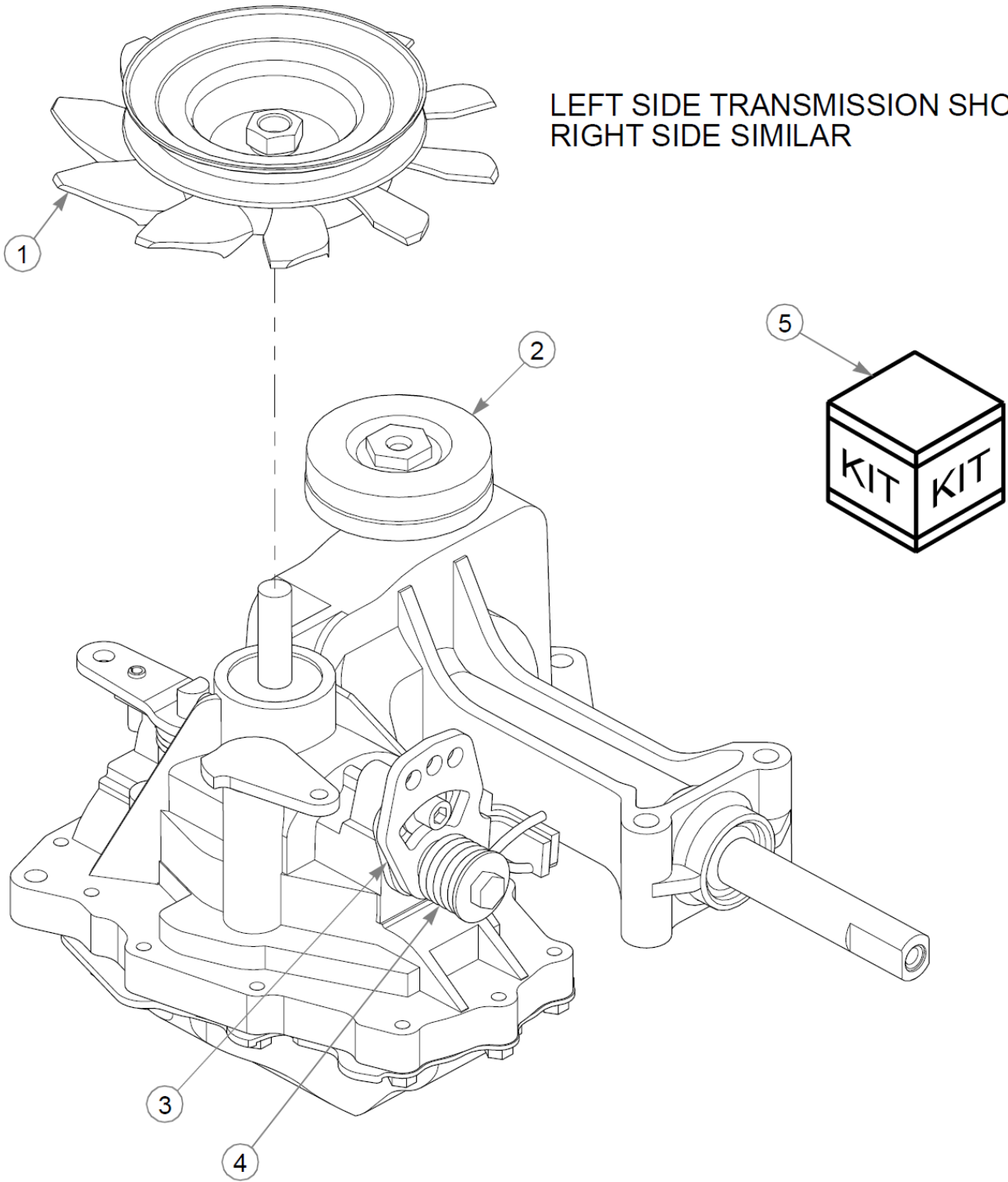


Transmissions & Drive Belt

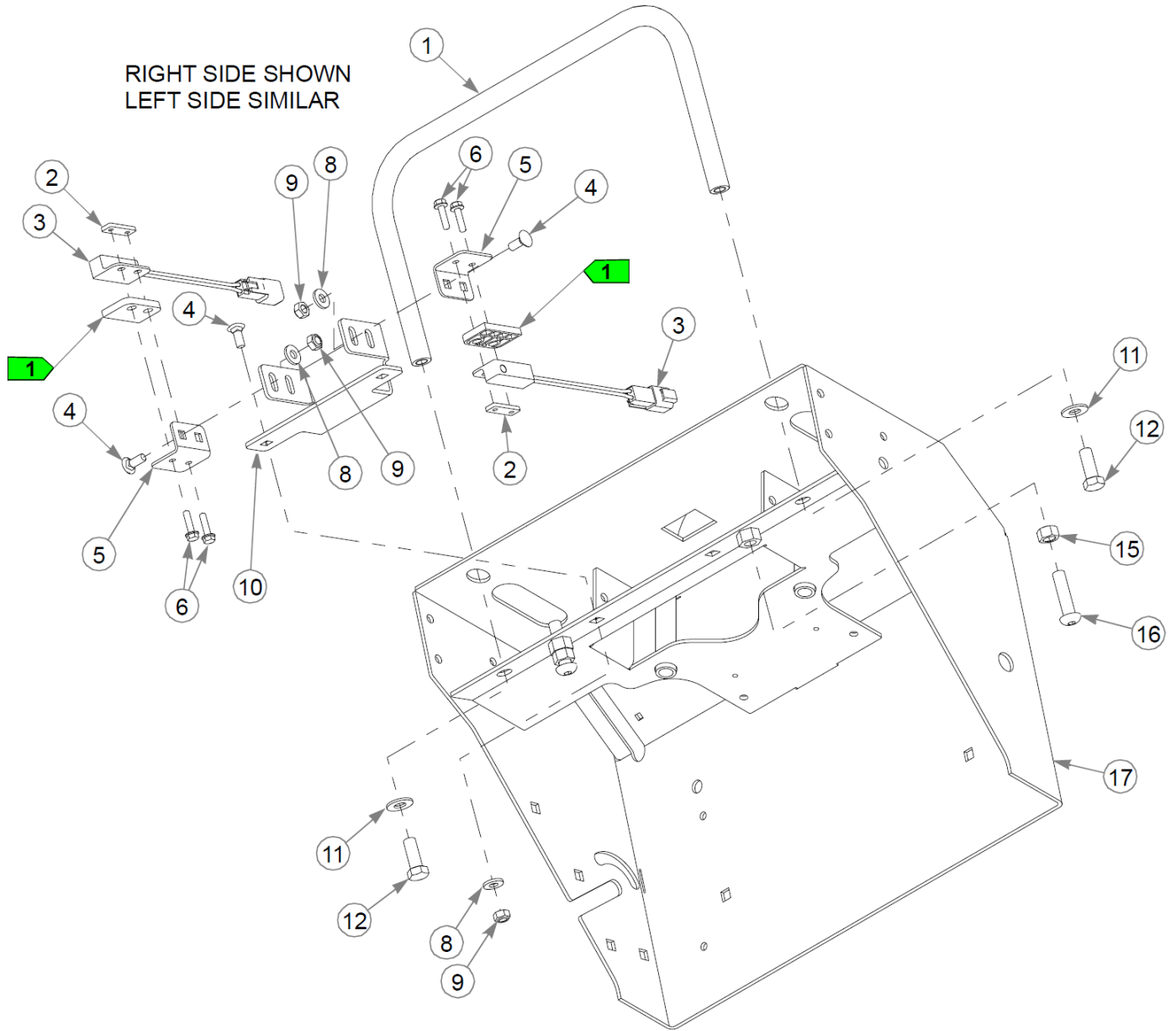
Item	Part No.	Qty	Name
1	052837	4	CS .312-18X1.500HXG5
2	768523	18	FW 0.343SAE
3	602827	2	CB .312-18X 1.250 ZN
4	043067	4	CS .312-18X3.000HXG5
5	127806-1	1	STIFFENER PLATE
6	767962	2	FW .531 x 1.063 x .175
7	705954	2	CS .500-13X1.25 HX G5 ZN
8	608528	1	SPRING ANCHOR
9	601838	1	DRIVE BELT
10	601681	1	FW .781X1.50X.12 ZN
11	608000	2	BUSHING
12	603846	1	NT .375-16 HX NL JAM ZN
13	767954	1	FW 0.379X.82X.06 HD ZN
14	607163	1	PULLEY, 3" FLAT POLY
15	127707-4	1	TENSIONER W/A
16	710194	1	CB .375-16X 1.50 STD G5
17	025296	1	FW .760X1.63X0.08 ZN
18	601084	1	SB .750X 2.000 SH.625-11
19	608527	1	SPRING, EXTENSION
20	127594	1	JACKSHAFT ASSEMBLY
21	608383	1	TRANSMISSION, ZT1800
22	608382	1	TRANSMISSION, ZT1800
23	058776	10	NT .312-18NLG5
24	127593-6	1	BRACE, TRANSMISSION

Comments for Page: Transmissions & Drive Belt

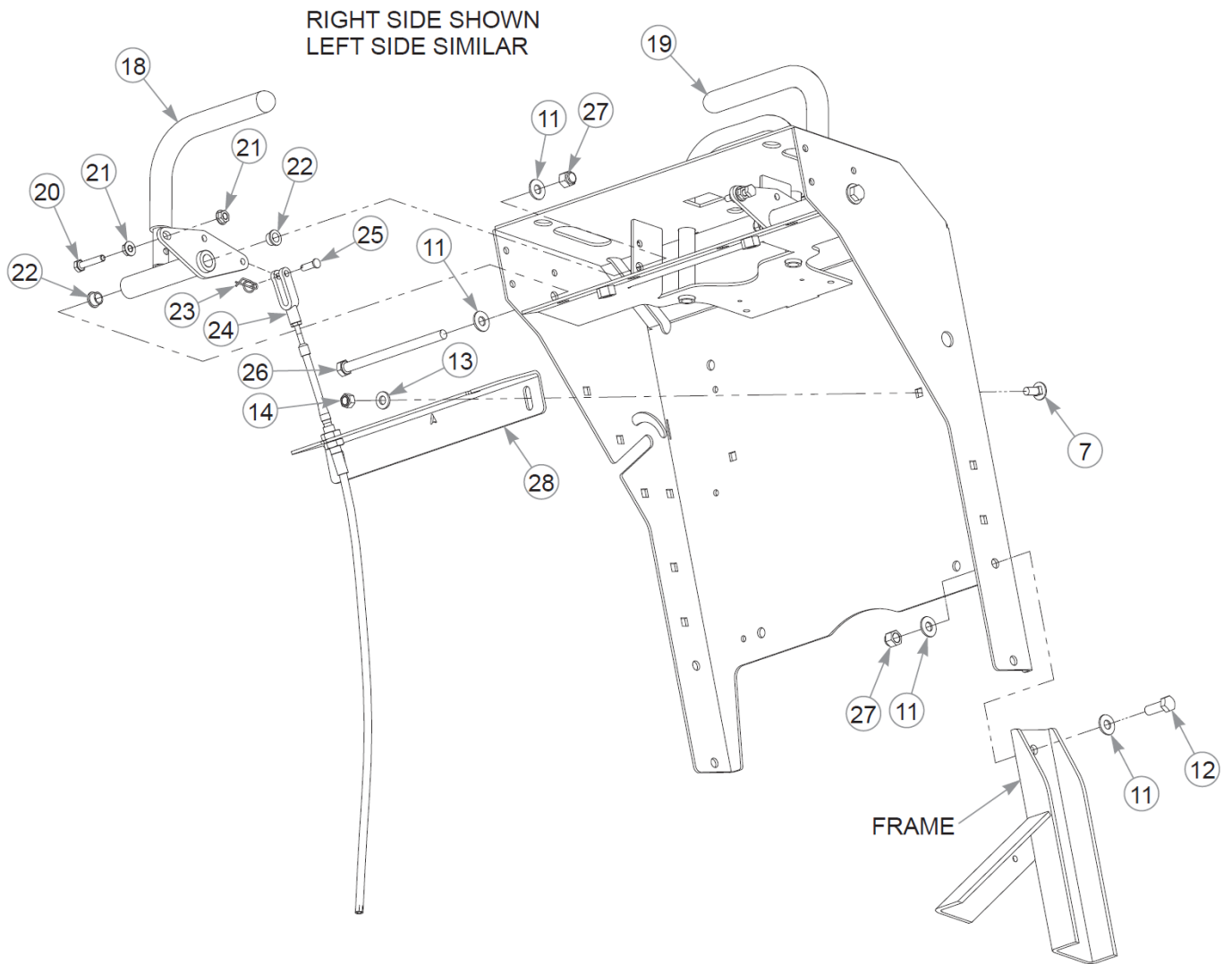
1. Torque to 100 ft-lbs.
2. Torque to 17 ft-lbs.
3. Right side transmission
4. Left side transmission



Item	Part No.	Qty	Name
1	608549	1	KIT, FAN/PULLEY
2	607131	1	BREATHER ASSY
3	607129	1	KIT, RTN
4	607130	1	RTN SPRING
5	608515	1	KIT - SEAL, ZT1800

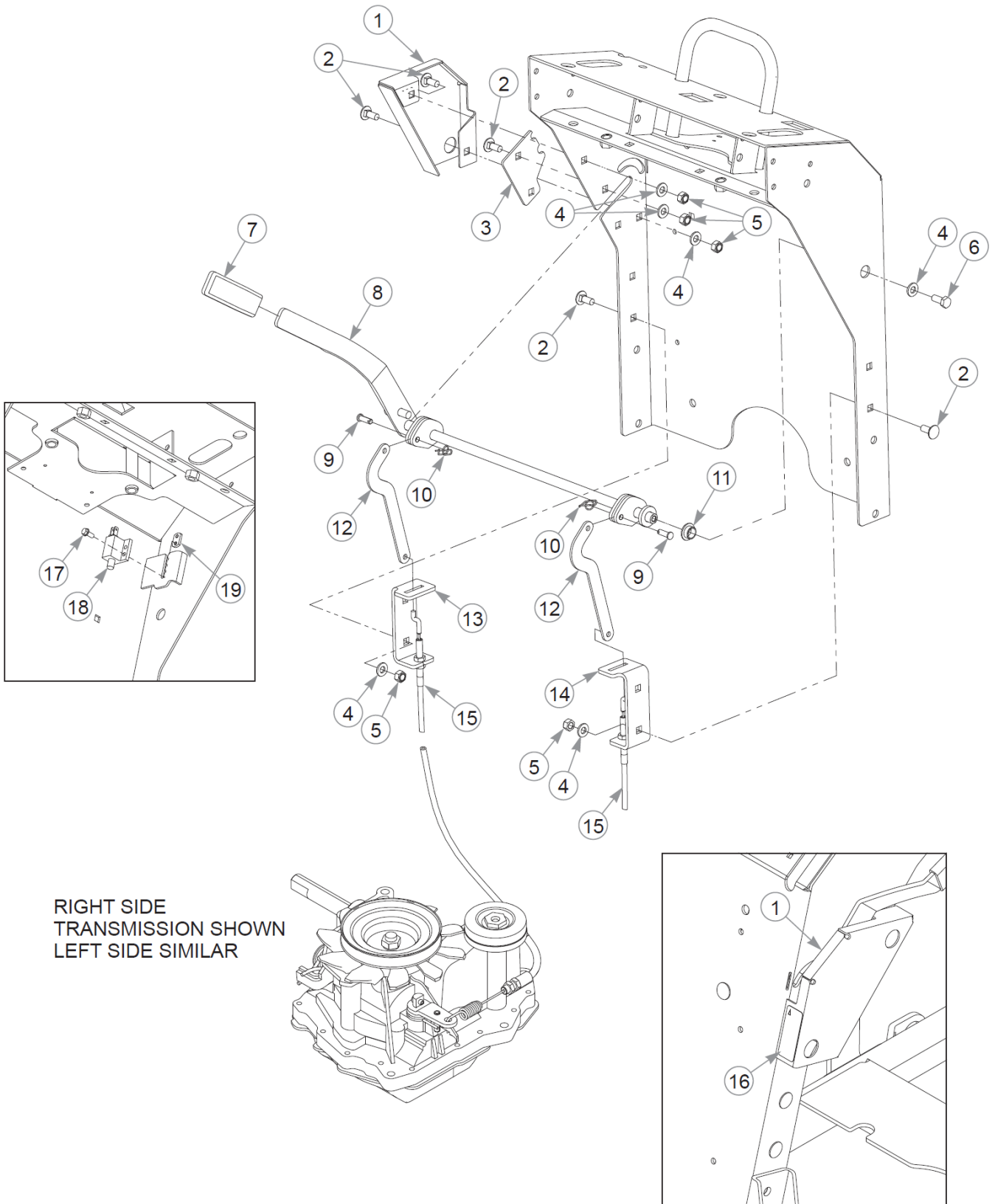


This page intentionally left blank

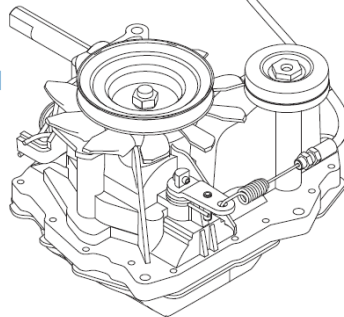


This page intentionally left blank

Item	Part No.	Qty	Name
1	608478-1	1	GRAB HANDLE
2	608293	2	NUT PLATE, 10-24
3	605325	2	SWITCH, PROX
4	601503	6	CB .250-20 X .625 ZN
5	127639-1	2	SWITCH MOUNT PLT
6	063198	4	CS #10-24X0.750FLKG5
7	016253	2	CB .312-18X .750 FUL ZN
8	768515	16	FW 0.281SAE
9	068551	10	NT .250-20 HXZY NL
10	127640-1	1	SWITCH ADJUSTER PLT
11	767954	14	FW 0.379X.82X.06 HD ZN
12	036244	6	CS .375-16X1.00 HX G5 ZN
13	768523	2	FW 0.343SAE
14	058776	2	NT .312-18NLG5
15	054502	2	NT .375-16HXG5
16	604816	2	CS .375-16X1.5 BH ZN
17	127469-1	1	W/A, TOWER
18	608405	1	STEER LEVER W/GRIP RS
Not Shown	608404	1	STEERING HANDLE GRIP
19	608406	1	STEER LEVER W/GRIP LS
Not Shown	608404	1	STEERING HANDLE GRIP
20	603968	2	CS .250-20X1.25 HX FLTRD
21	016816	4	NT .250-20FLKG5
22	765339	4	BUSHING,IGUS#0608 (FS)
23	607093	2	CP, RUE RING .054 X .392
24	608401	2	PUSH-PUL CONTROL CABLE
25	017327	2	CE .250X .75 .094X .65
26	748913	2	CS .375-16x5.50 GR5 ZN
27	086660	6	NT .375-16NLG8
28	127569-1	1	CABLE BRACKET
29	055939	4	CS .250-20X0.75 HX G5 ZN
30	127568-6	2	PUMP ARM
31	059832	2	NT #10-24 HX NL ZN



RIGHT SIDE
TRANSMISSION SHOWN
LEFT SIDE SIMILAR

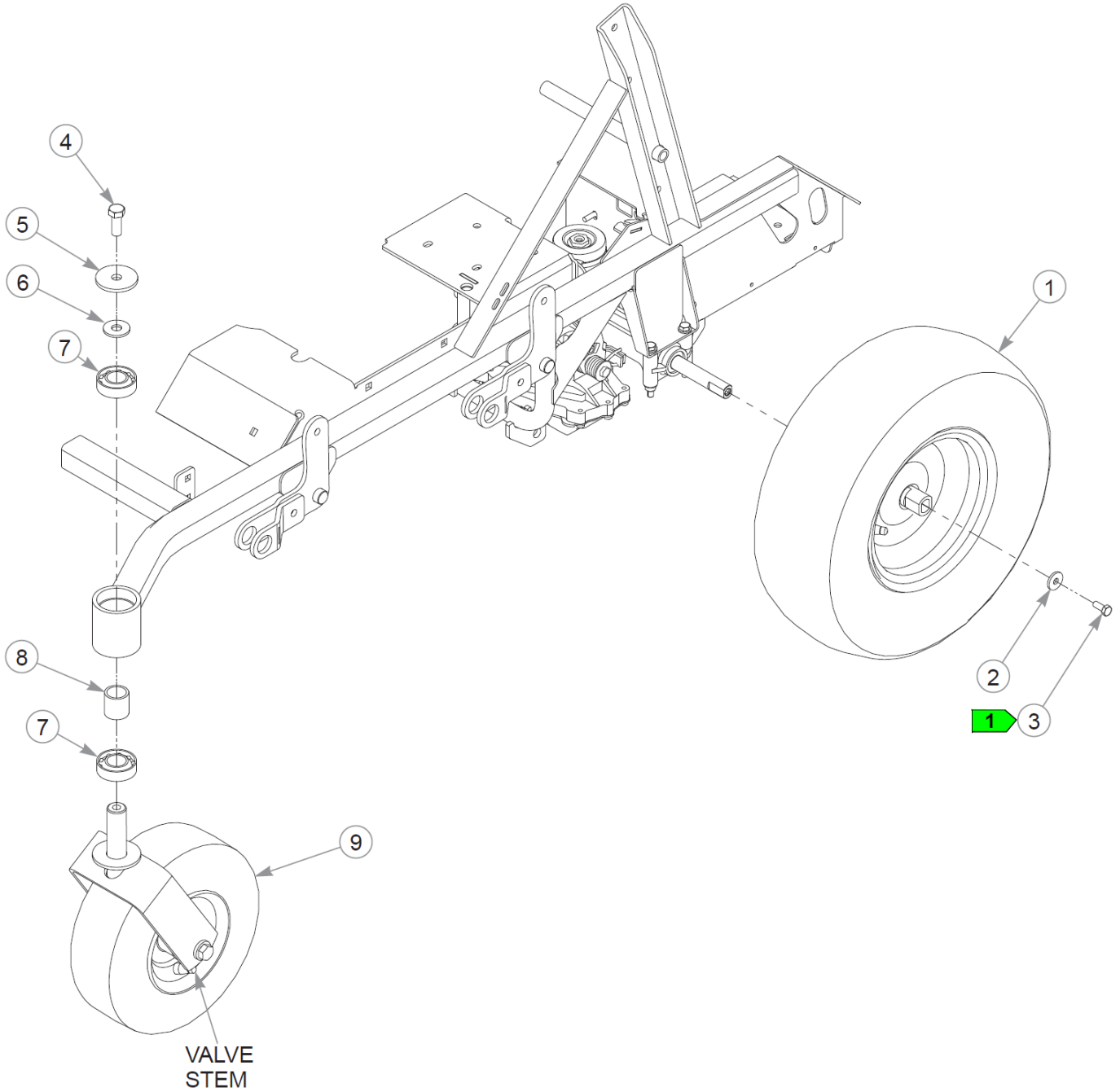


Park Brake

Item	Part No.	Qty	Name
1	556126	1	SVC, PARK LEVER COVER
2	016253	8	CB .312-18X .750 FUL ZN
3	127577-4	1	BRAKE PIVOT
4	768523	9	FW 0.343SAE
5	058776	8	NT .312-18NLG5
6	034280	1	CS .312-18X0.750HXG5
7	603830	1	GRIP, BLACK .18x.94x4.0
8	127571-4	1	W/A, BRAKE HANDLE
9	017327	2	CE .250X .75 .094X .65
10	607093	2	CP, RUE RING .054 X .392
11	768259	1	BUSHING,IGUS#0810 (FS)
12	127574-4	2	O/C LINK
13	127575-1	1	CABLE MOUNT, RS
14	127578-1	1	CABLE MOUNT, LS
15	608400	2	BRAKE CABLE
16	607714	1	DECAL, PARK BRAKE
17	060731	2	CS 10-24X .500 HXFLK ZN
18	781211	1	SWITCH, PUSH BUTTON
19	601822	1	NUT PLATE, .420 CENTERS

Comments for Page: Park Brake

1. The park lever cover includes the decal.

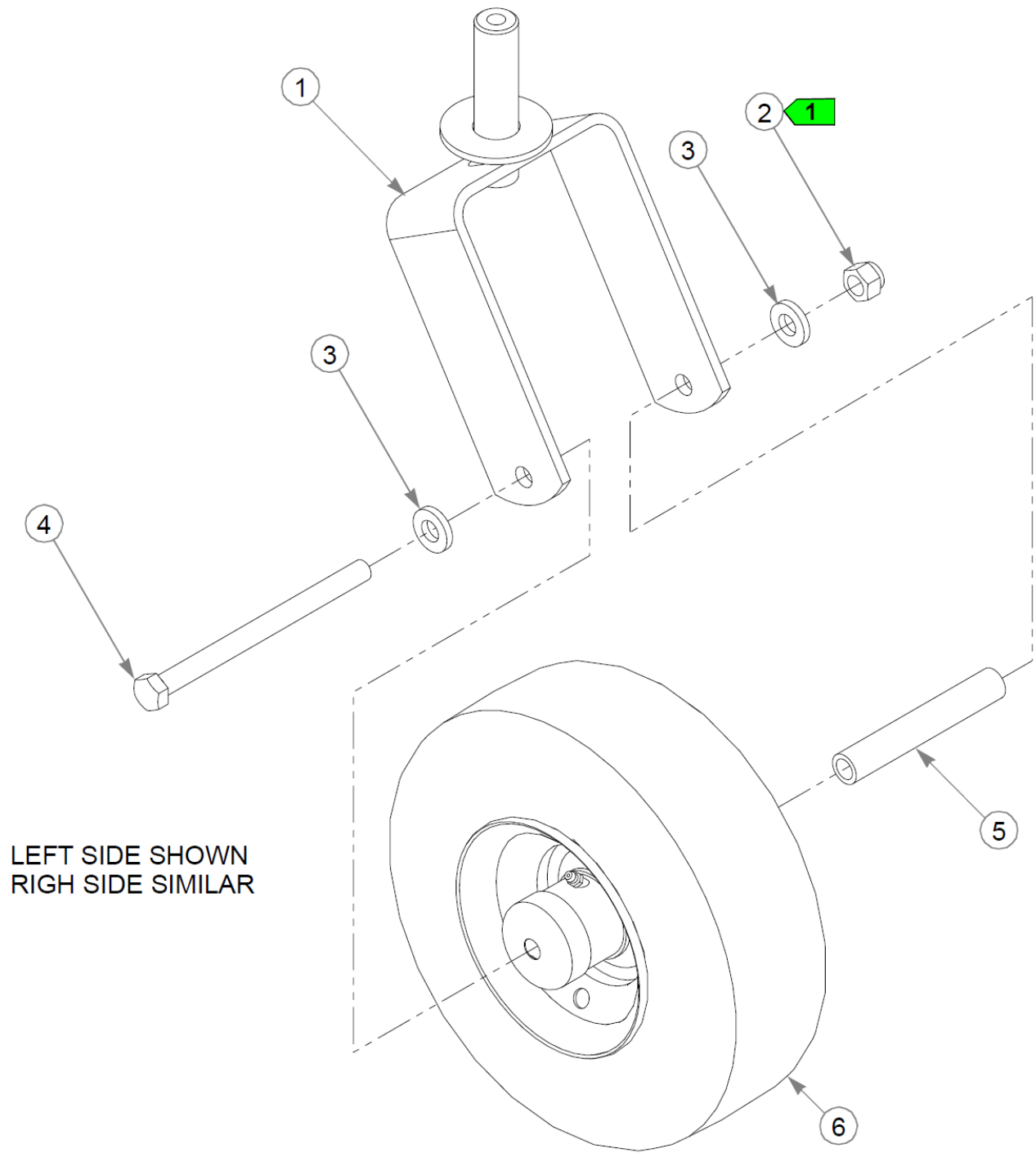


Wheels & Tires

Item	Part No.	Qty	Name
1	607932	2	TIR/WHL 18X6.50-8 BLK
2	712927	2	FW 0.344X1.00X.12 HD ZN
3	606989	2	CS .312-24 X .750 HX G5
4	705954	2	CS .500-13X1.25 HX G5 ZN
5	344267	2	FW .510X2.15X.19 ZN
6	712976	2	FW 0.531X1.38X.12 ZN
7	784223	4	BEARING
8	784603	2	SPACER
9		2	REFER TO "FRONT WHEEL ASSEMBLY"

Comments for Page: Wheels & Tires

1. Torque to 17 ft-lbs.

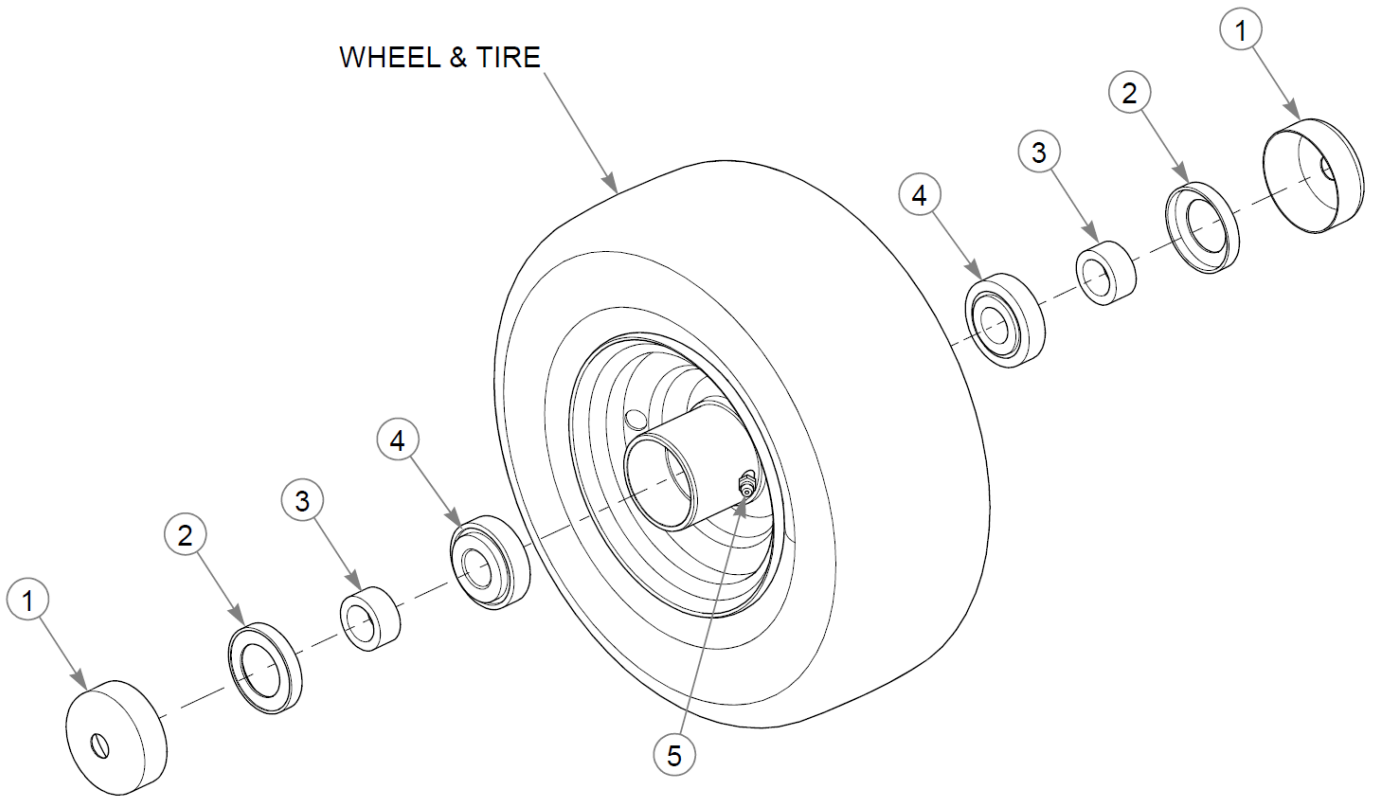


Front Wheel Assembly

Item	Part No.	Qty	Name
1	110116	1	CASTER FORK W/A
2	781567	1	NT .500-13NLG5
3	767962	2	FW .531 x 1.063 x .175
4	042630	1	CS .500-13X6.500HXG5
5	306969	1	GAGE WHEEL SPACER
6	606741	1	TIR/WHL 11X4.00-5 BLK

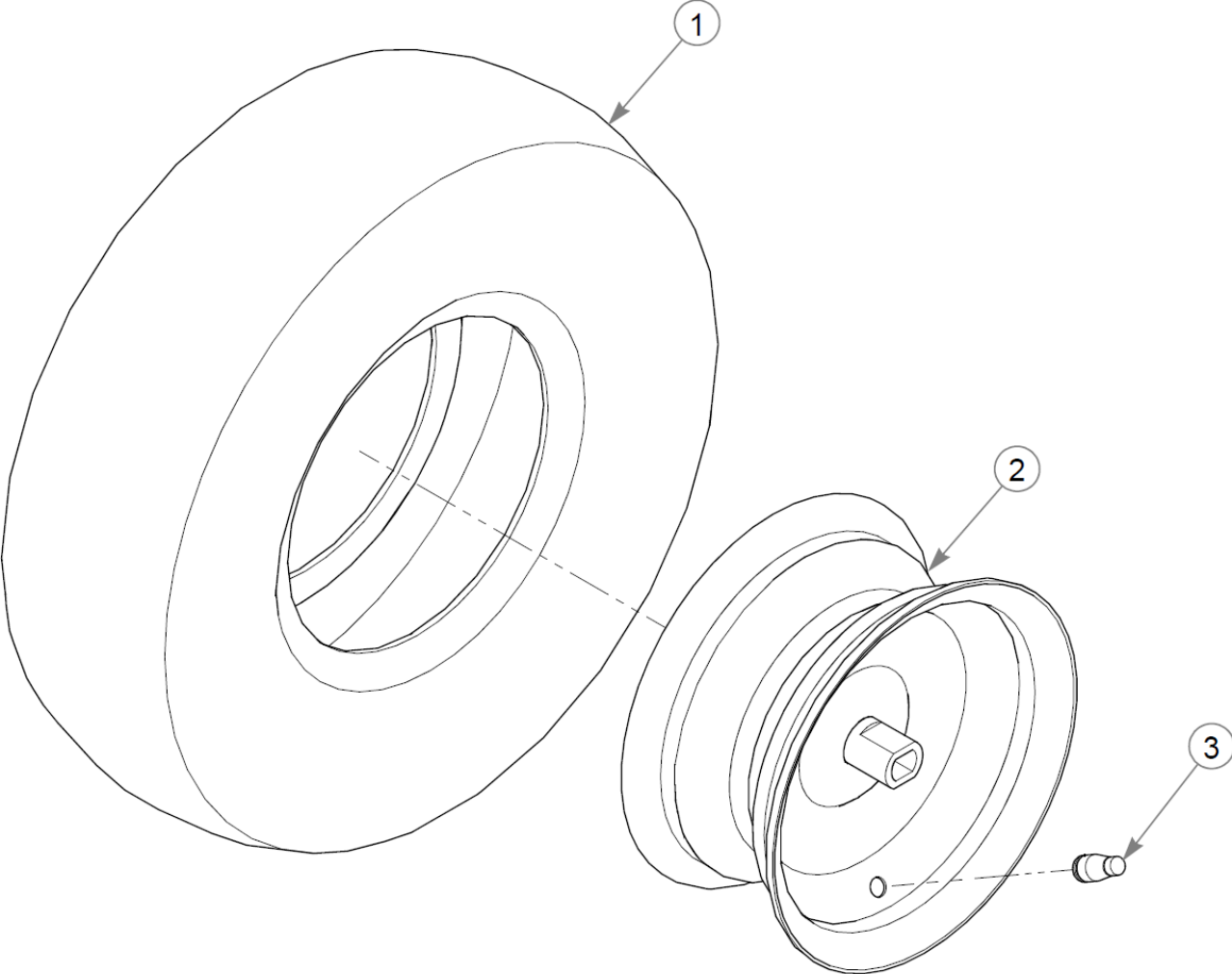
Comments for Page: Front Wheel Assembly

1. Tighten, then back off the nut until the wheel spins freely.



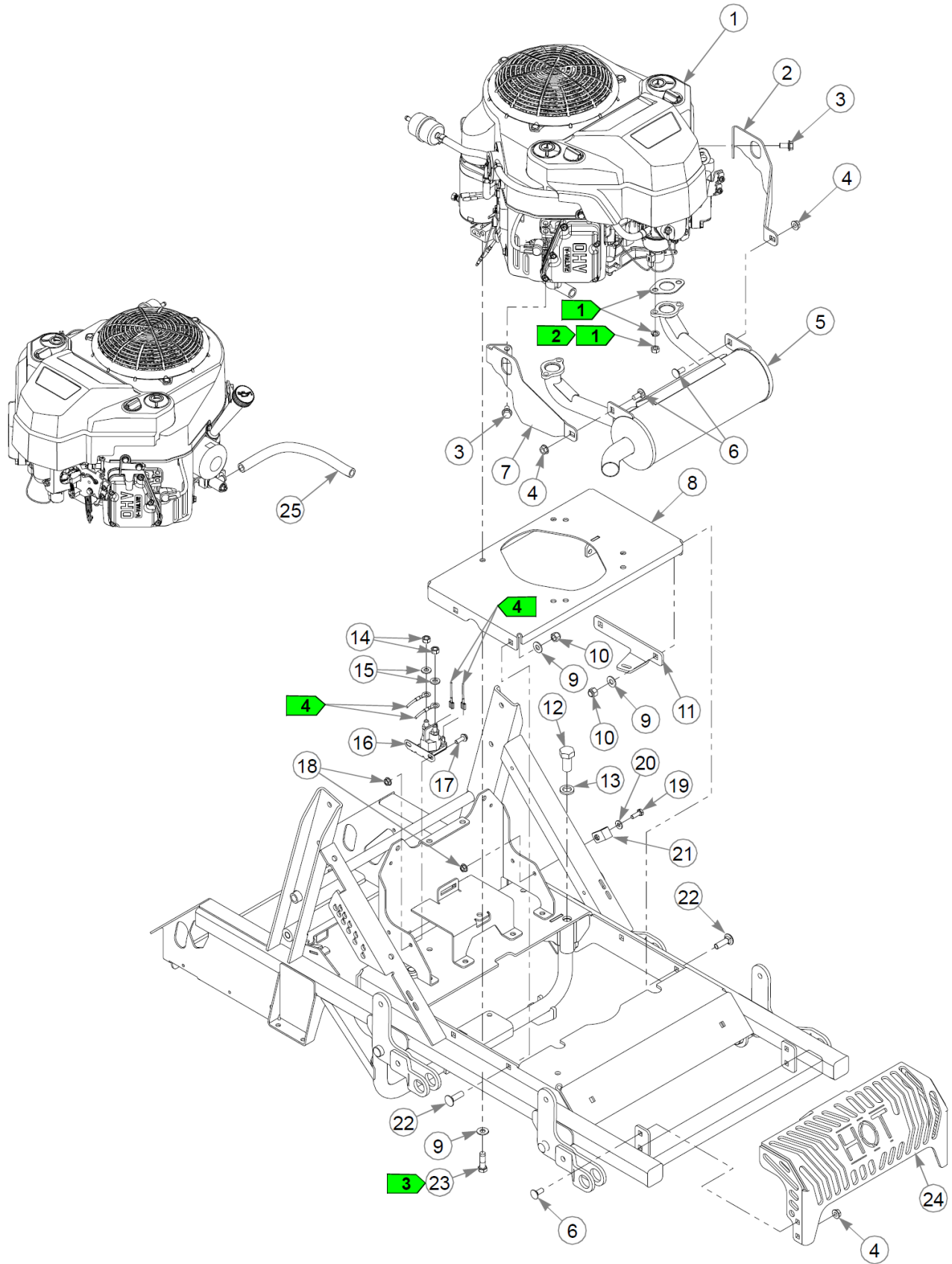
Deck Gauge Wheel Breakdown - Black Wheel

Item	Part No.	Qty	Name
1	606779	2	DUST CAP, 0.502 ID
2	606780	2	SEAL
3	606778	2	SPACER, 0.531
4	606753	2	BEARING, TAPERED ROLLER
5	606777	1	GREASE FITTING

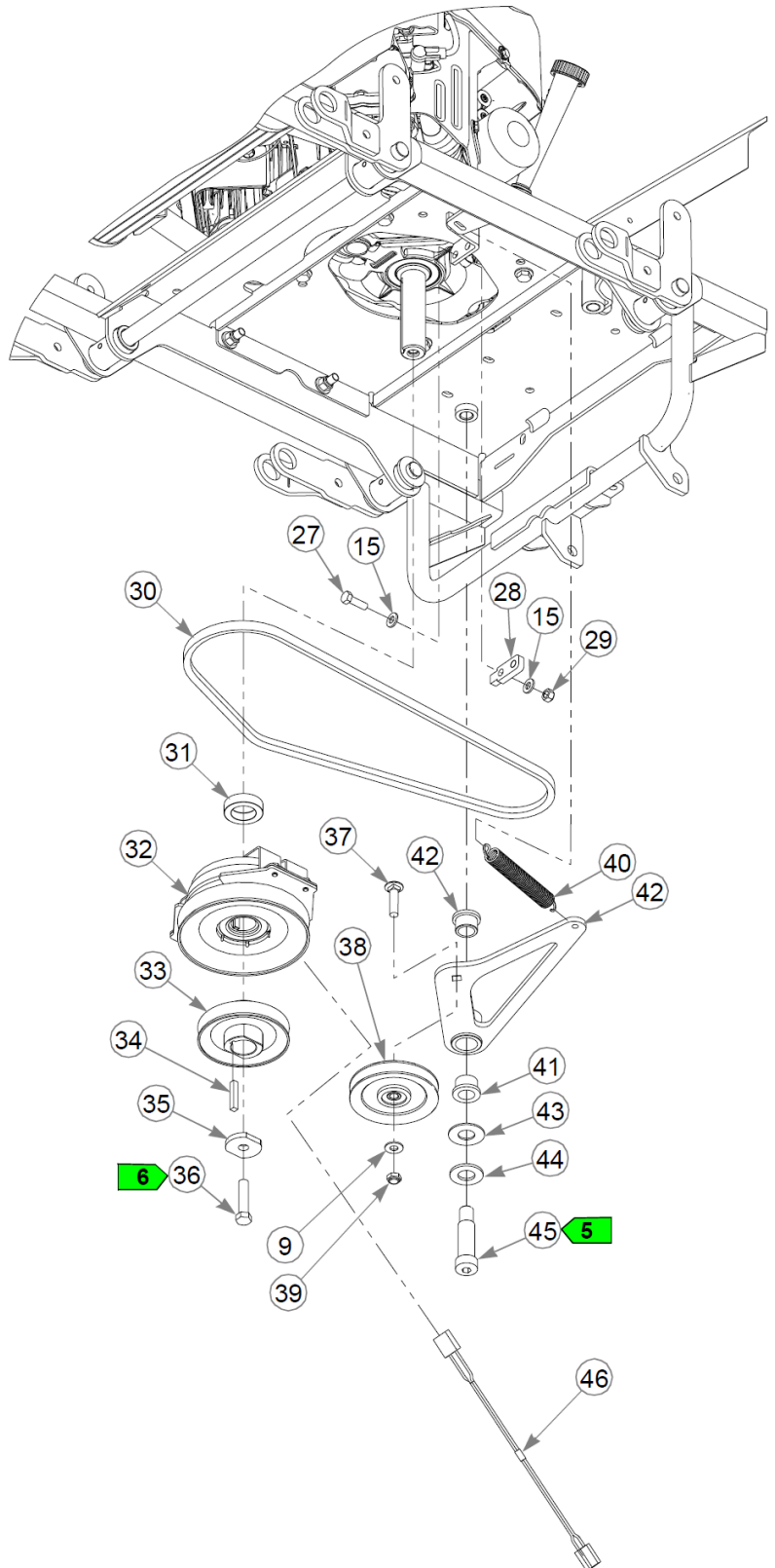
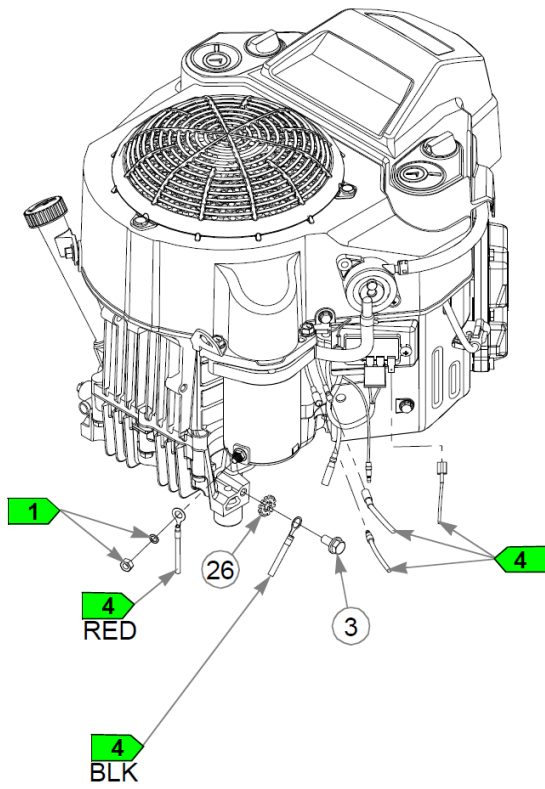


Drive Wheel Assembly

Item	Part No.	Qty	Name
1	607931	1	18X6.50-8 B4R BIG BITE TIRE
2	607300	1	WHL 8X3.75 0X0.0 BLK
3	019521	1	TIRE VALVE TR-412 GOODY



This page intentionally left blank



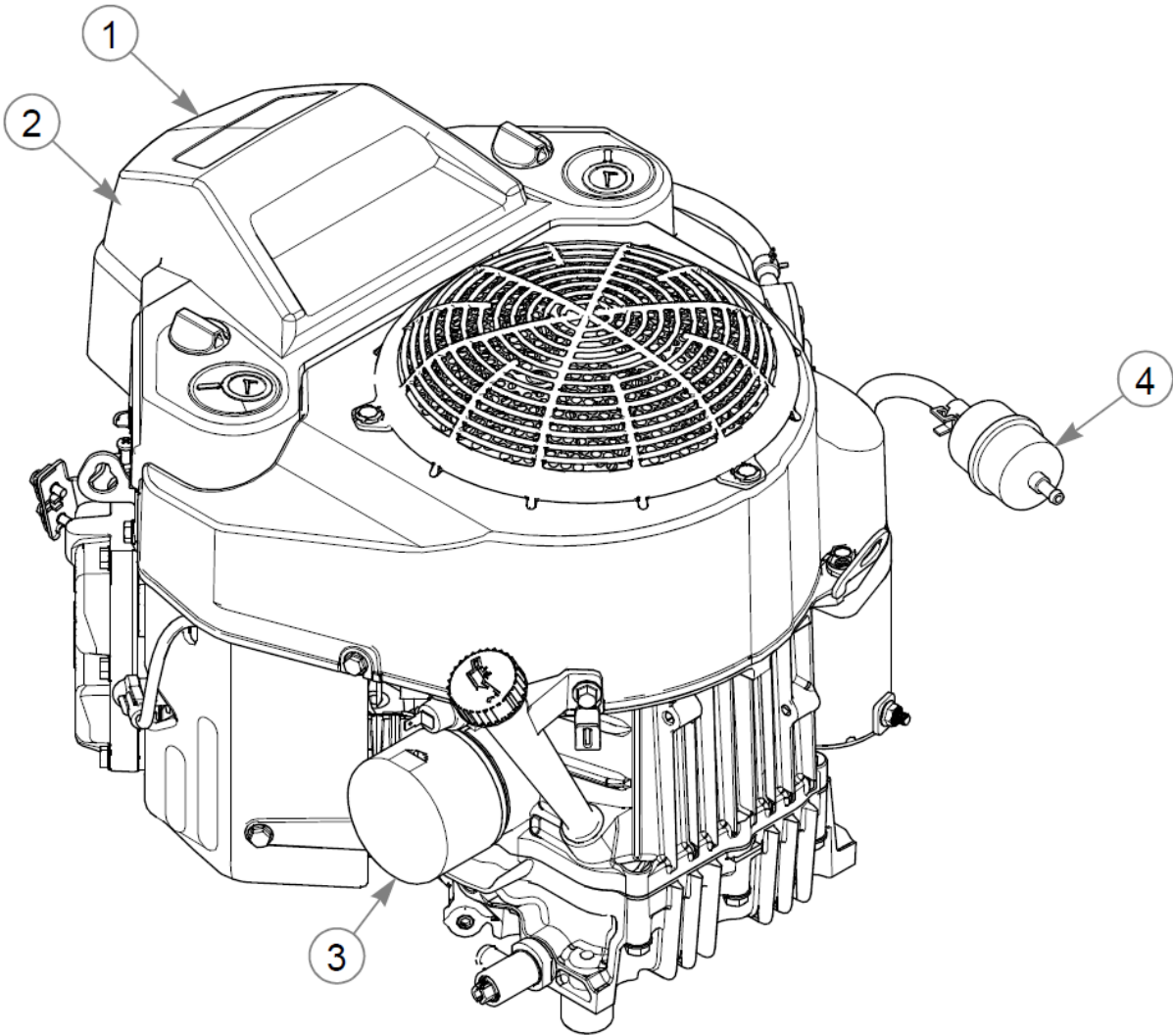
Item	Part No.	Qty	Name
1		1	ENGINE, FS541V
2	127696-6	1	MUFFLER STAY, LH
3	720516	5	CS M8-1.25X16HX FL10.9
4	016832	6	NT .312-18FLKG5
5	608216	1	MUFFLER, FR541V
6	016253	6	CB .312-18X .750 FUL ZN
7	127697-6	1	MUFFLER STAY, RH
8	127601-1	1	W/A, ENGINE PLT
9	767954	9	FW 0.379X.82X.06 HD ZN
10	086660	4	NT .375-16NLG8
11	127713-1	1	SPRING ANCHOR
12	781872	1	CS .625-11X1.250HXG5
13	028118	1	FW 0.625X1.00X.13 ZN
14	041152	2	NT 0.312-24 HX G8
15	768523	6	FW 0.343SAE
16	606445	1	STARTER SOLENOID
17	016147	2	CS .250-20X0.750FLK
18	016816	3	NT .250-20FLKG5
19	055939	1	CS .250-20X0.75 HX G5 ZN
20	768515	1	FW 0.281SAE
21	000398	1	CLAMP
22	603113	4	CB .375-16X1.250 G5 ZN
23	602580	4	CS .375-16X1.25HXG8ZYP85
24	127599-6	1	GUARD, MUFFLER
25	604463	11"	HOSE, OIL DRAIN
26	029876	1	LW .312 INTEXT ZN
27	036236	2	CS .312-18X1.000HXG5
28	127600-3	1	CLUTCH ANCHOR
29	058776	2	NT .312-18NLG5
30	608466	1	BELT, JACKSHAFT
31	608489	1	CLUTCH SPACER
32	607756	1	CLUTCH, OGURA GT1.2
33	608268	1	PULLEY, ENGINE
34	212076	1	KEY 1/4 SQ X 1.50 LG(FS)
35	607828	1	FW .468X1.625X.25 DD
36	606175	1	CS .437-20X1.75 HXG5 P85

This page intentionally left blank

Item	Part No.	Qty	Name
37	710194	1	CB .375-16X 1.50 STD G5
38	608202	1	PULLEY, V IDLER 4.00"EFF
39	603846	1	NT .375-16 HX NL JAM ZN
40	608527	1	SPRING, EXTENSION
41	608000	2	BUSHING
42	127709-4	1	TENSIONER W/A
43	025296	1	FW .760X1.63X0.08 ZN
44	601681	1	FW .781X1.50X.12 ZN
45	601084	1	SB .750X 2.000 SH.625-11
46	606430	1	HARNES, CLUTCH PIGTAIL

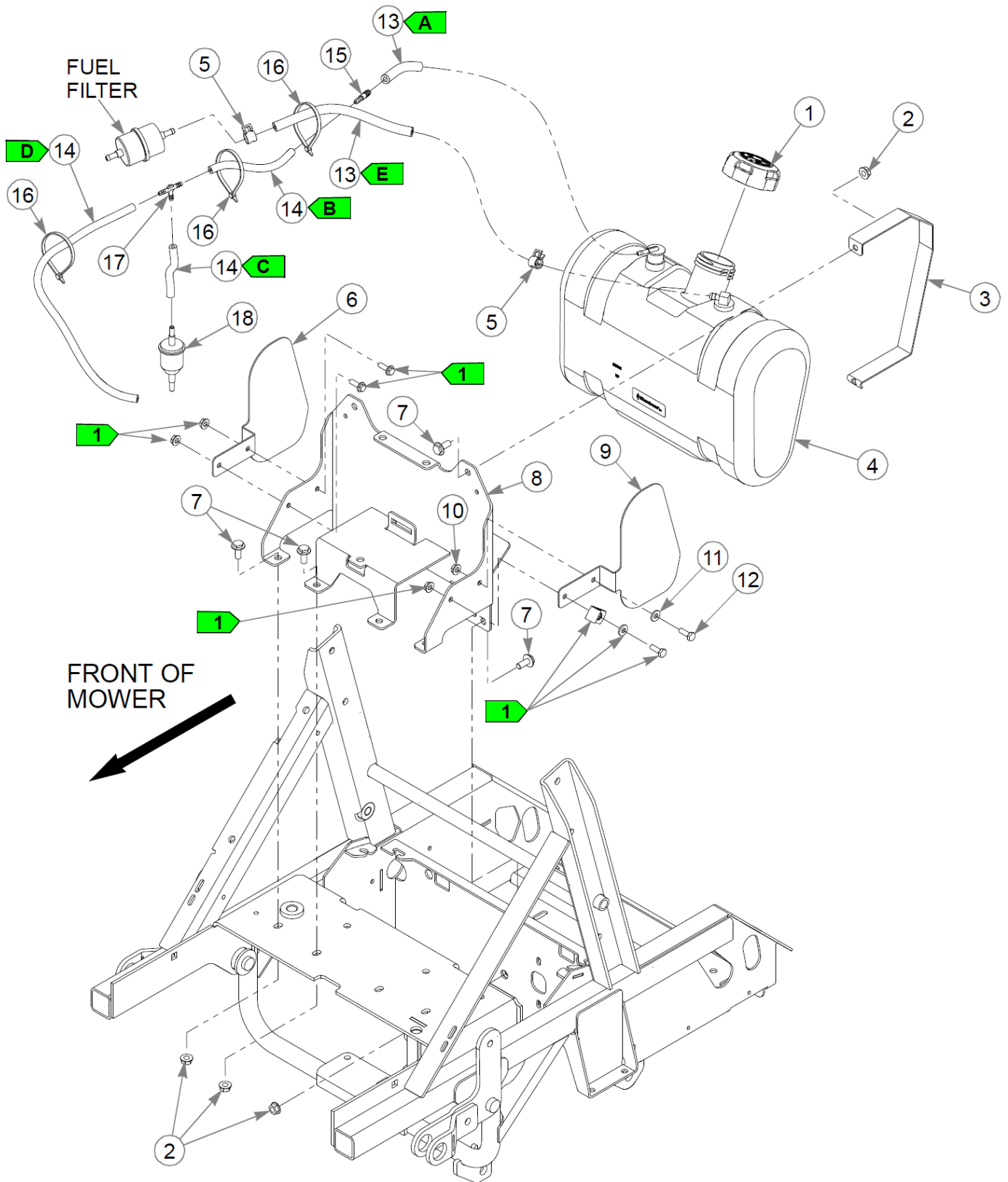
Comments for Page: Engine, Muffler & Clutch (Multi-Page)

1. Supplied with the engine.
2. Torque to 17 ft-lbs.
3. Torque the cap screw to 30–35 ft-lbs. Replace (do not reuse) the cap screw if it is removed or loosened. Use only hand tools to install this fastener.
4. Part of the wire harness.
5. Torque to 100 ft-lbs.
6. Torque the bolt to 45–48 ft-lbs. Replace (do not reuse) the cap screw if it is removed or loosened. Use only hand tools to install this fastener.



Engine Service Parts - FS541V

Item	Part No.	Qty	Name
1	603058	1	PRE FILTER, KAW
2	603059	1	AIR FILTER - MAIN
3	602581	1	ENGINE OIL FILTER
4	068478	1	FUEL FILTER - IN LINE



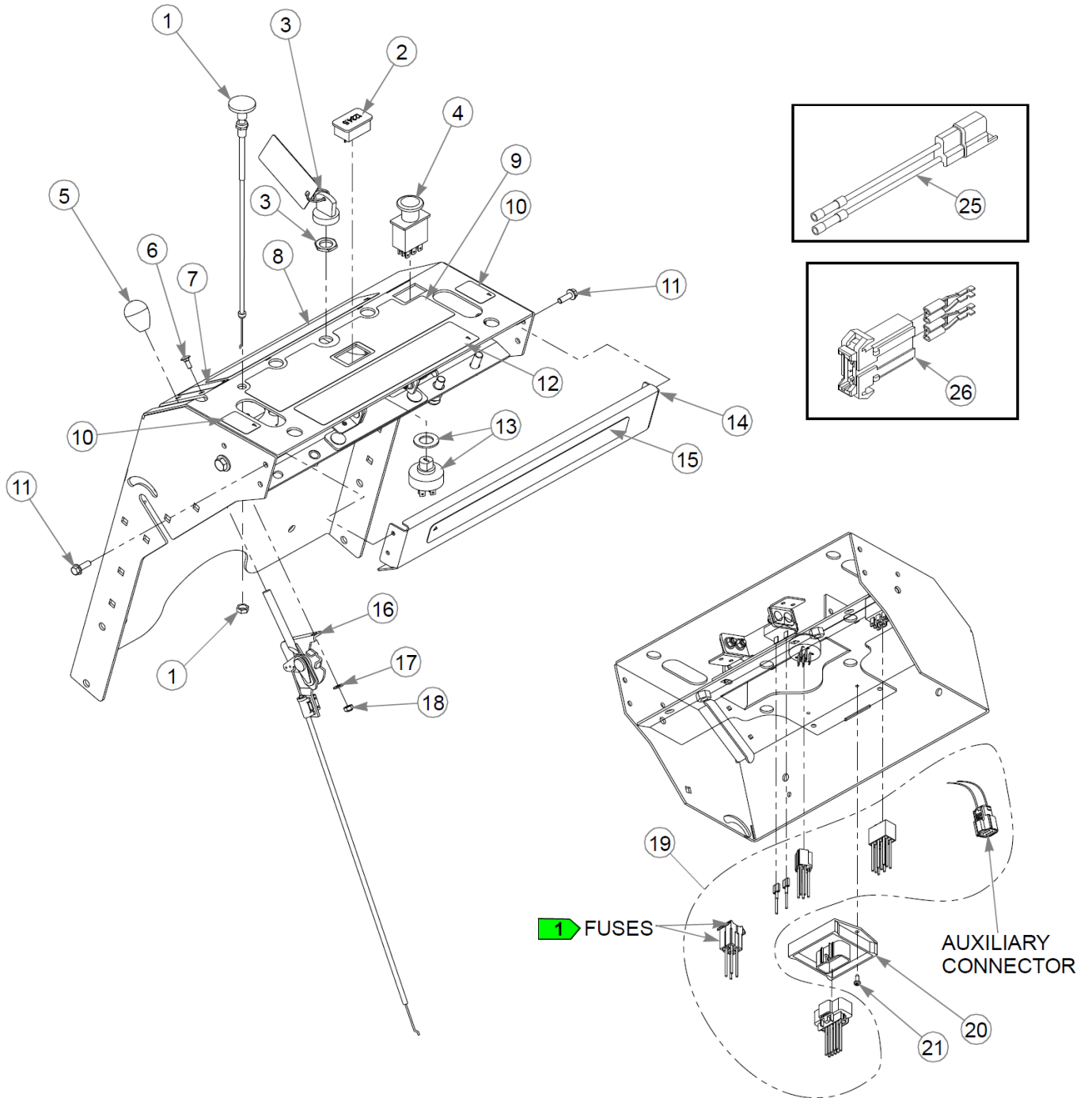
Fuel System

Item	Part No.	Qty	Name
1	607731	1	CAP - 2.25" KELCH
2	016832	8	NT .312-18FLKG5
3	127589-6	2	TANK STRAP
4	608485	1	FUEL TANK
5	000323	2	CLIP, HOSE CLAMP
6	128368-6	1	FUEL TANK SHIELD, RH
7	029710	8	CS .312-18X .750 HXFLK
8	127590-1	1	W/A TANK MOUNT
9	128367-6	1	FUEL TANK SHIELD, LH
10	016816	1	NT .250-20FLKG5
11	768515	1	FW 0.281SAE
12	055939	1	CS .250-20X0.75 HX G5 ZN
13	015818	13.5"	FUEL LINE, 1/4"
<p>Comments for Part Num. 015818</p> <p>Sold by the foot.</p>			
14	603326	34"	VAPOR LINE, 3/16"
<p>Comments for Part Num. 603326</p> <p>Sold by the foot.</p>			
15	603337	1	FTG, -4 BARB/-3 BARB STR
16	000331	3	WIRE TIE, SMALL/SHORT
17	605690	1	TEE, 3/16" PLASTIC
18	604323	1	VAPOR SYSTEM FILTER

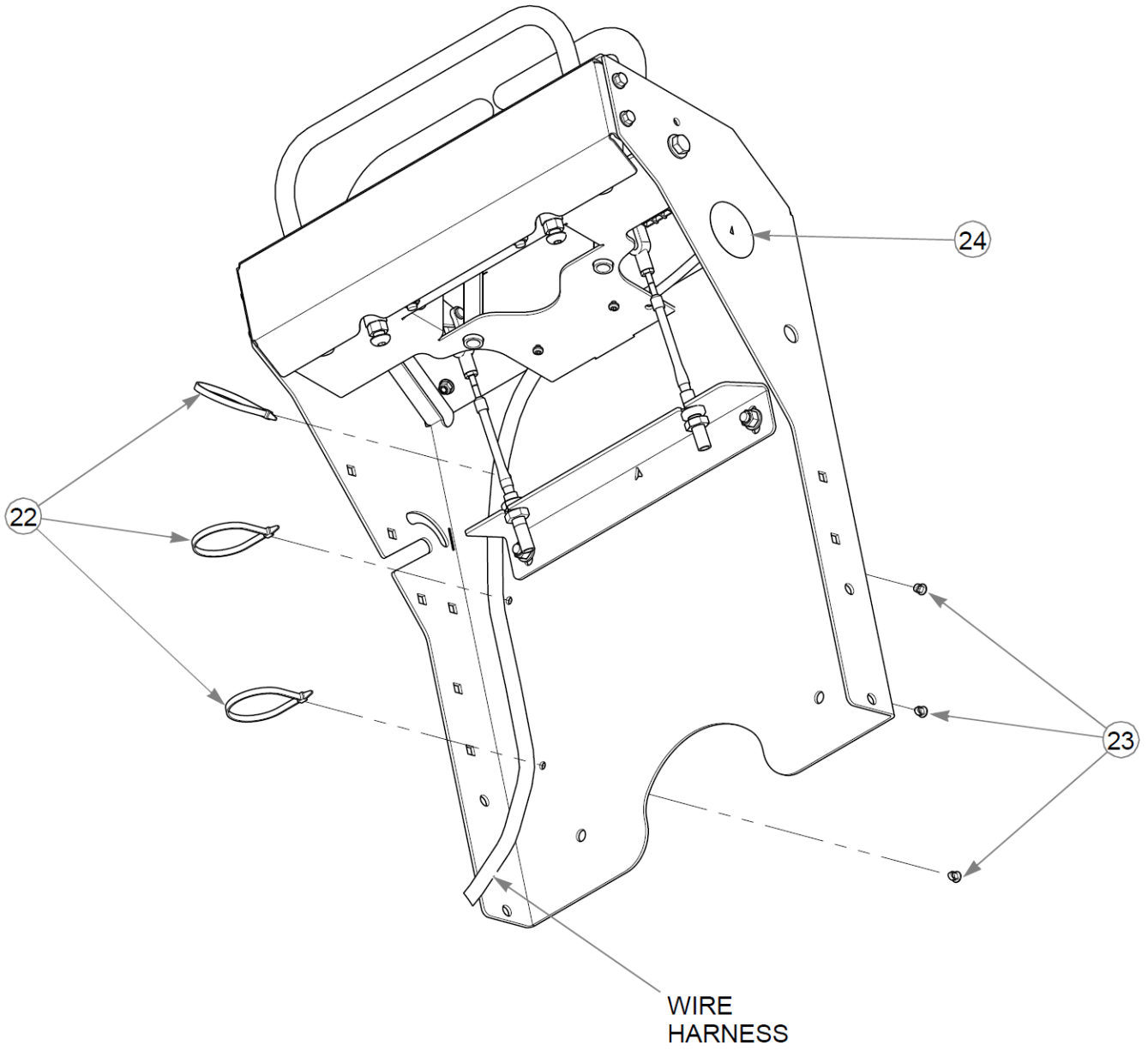
Comments for Page: Fuel System

FUEL, VAPOR LINE, & TRIM LENGTHS

- A: 3.5" TANK TO FITTING (VAPOR)
- D: 6.5" FITTING TO TEE (VAPOR)
- C: 5.5" TEE TO FILTER (VAPOR)
- D: 22" TEE TO ENGINE (VAPOR)
- E: 10" TANK TO FILTER (FUEL)



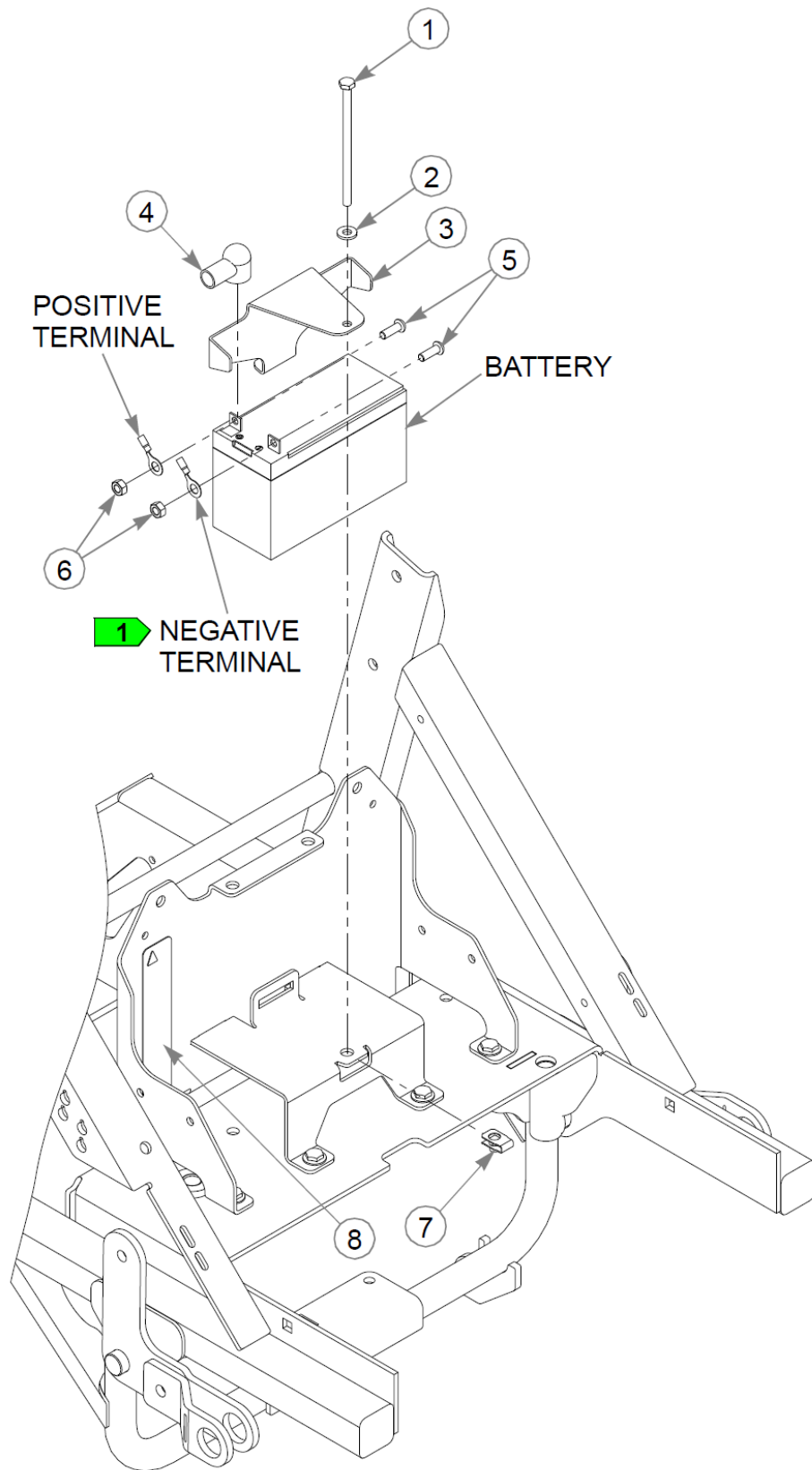
This page intentionally left blank



Item	Part No.	Qty	Name
1	601095	1	CABLE, CHOKE
2	769166	1	HOUR METER
3	785808	1	KEY ASSEMBLY
4	776476	1	SWITCH, PTO 6201-321
5	603523	1	KNOB
6	601098	2	CB 10-24 X .500 ZYNC
7	608544	1	DECAL, THROTTLE
8	608557	1	DECAL, SURFER PRO ID
9	608543	1	DECAL, INSTR PANEL
10	606218	2	DECAL, STEERING
11	604324	4	CS .250-20 X .75 HX FLG
12	606215	1	DECAL, SAFE OPERATION
13	045898	1	IGNITION SWITCH
14	127582-1	1	COVER
15	602407	1	DECAL, HUSTLER ID
16	604746	1	CABLE, THROTTLE
17	704932	2	FW 0.219X.50X.05 ZN
18	059832	2	NT #10-24 HX NL ZN
19	608483	1	HARNESS, SURFER
20	607545	1	CONTROLLER, STANDON
21	605225	2	CS #8-32 PH TRX
22	000331	3	WIRE TIE, SMALL/SHORT
23	604307	3	MOUNT, PUSH BUTTON
24	608127	1	DECAL, USA, F&D
25	114052	1	KIT, CLUTCH CONN. REP.
26	601047	1	HOLDER, FUSE

Comments for Page: Instrument Panel & Wire Harness (Multi-Page)

1. Part of the wire harness.

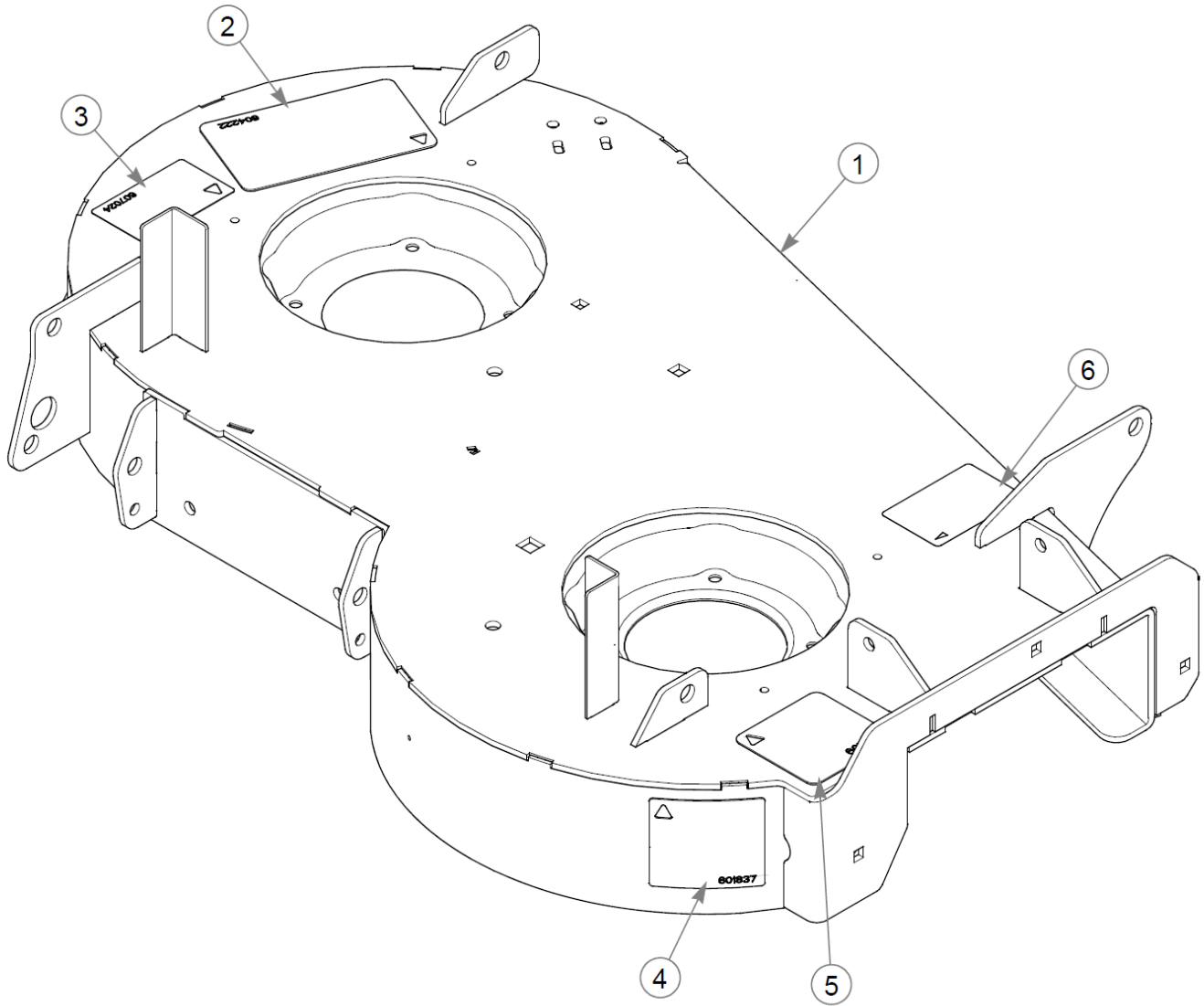


Battery

Item	Part No.	Qty	Name
1	603229	1	CS .250-20X4.500 HX G5
2	768515	1	FW 0.281SAE
3	127588-6	1	BATTERY BRKT
4	601319	1	POS. BATTERY CABLE BOOT
5	605473	2	CS .250-20X0.75 BH TX BZ
6	024927	2	NT .250-20HXG5
7	601982	1	CN .250-20X .150 MAX THK
8	202206	1	DECAL, WARN BATTERY BOX

Comments for Page: Battery

1. When performing service on the mower, disconnect the negative battery cable (black) and do not reconnect it to the battery until ready to start the engine.

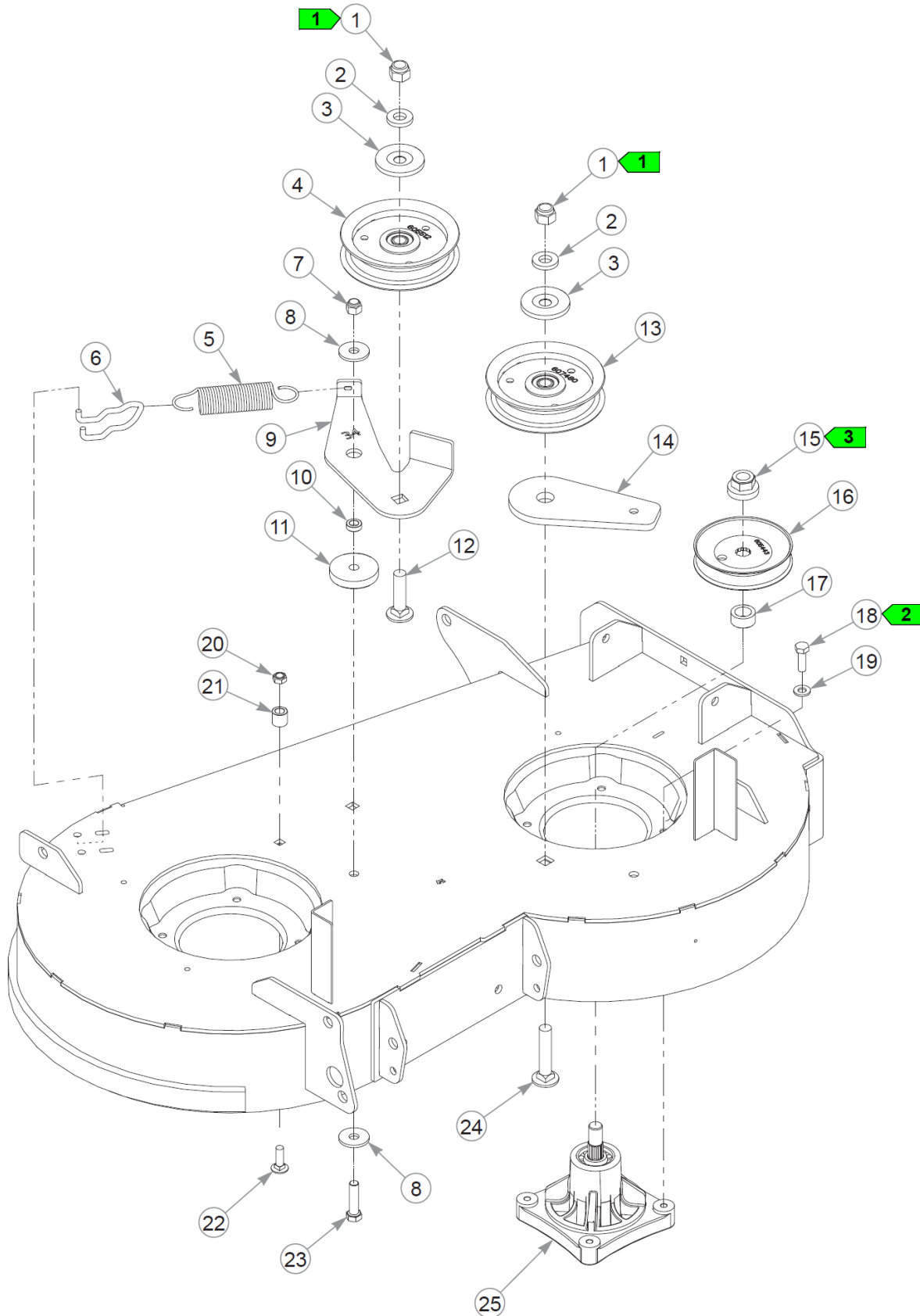


Service Deck

Item	Part No.	Qty	Name
1	556132	1	SVC, DECK 34"
2	604222	1	DECAL, DANGER / OBJECTS
3	607024	1	DECAL, 34" DECK I.D.
4	601837	1	DECAL, DECK DANGERS
5	607316	1	DECAL, DANGER CHUTE
6	602243	1	DECAL, BELT ROUTING

Comments for Page: Service Deck

1. The deck includes the decals.

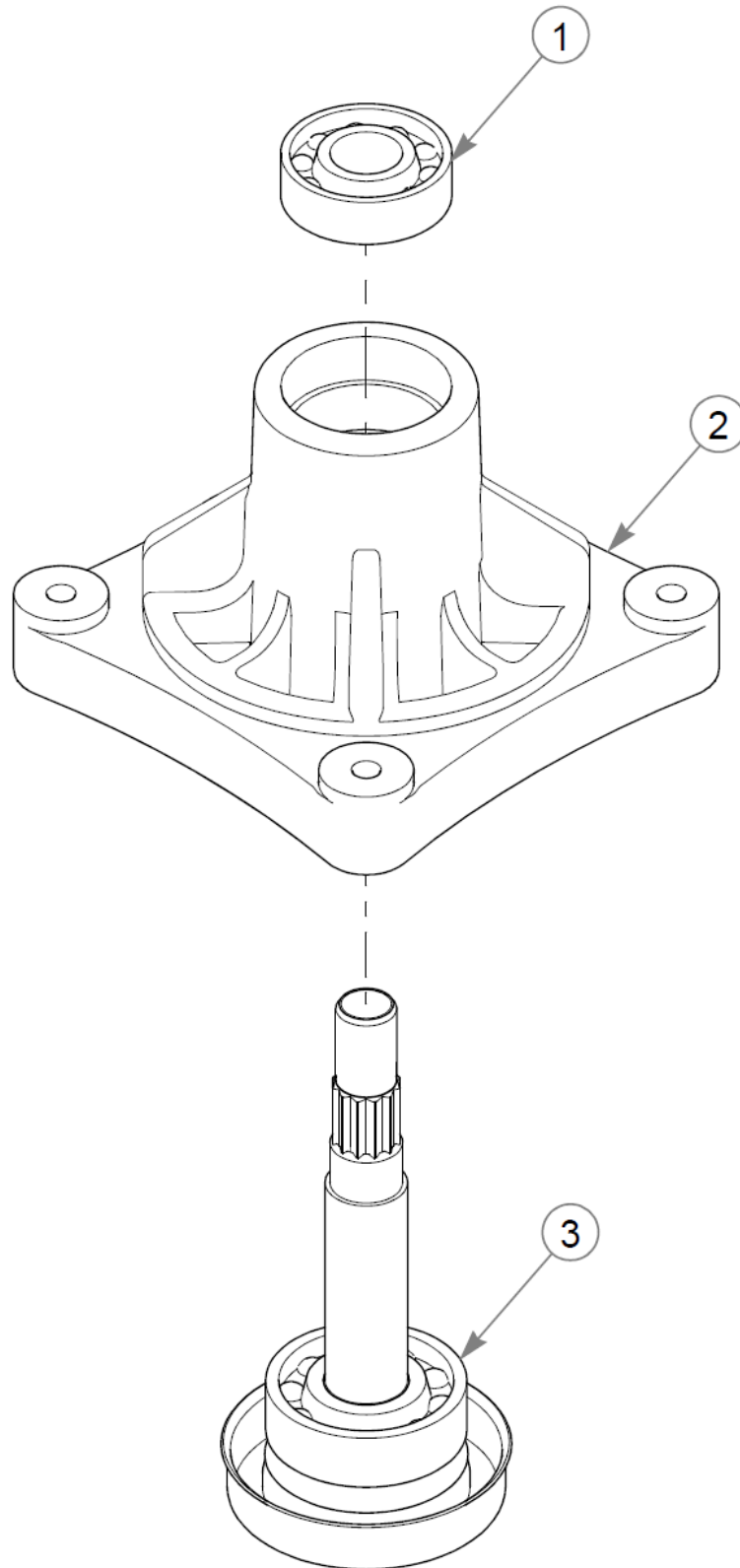


Deck Pulleys & Spindles

Item	Part No.	Qty	Name
1	781567	2	NT .500-13NLG5
2	767962	2	FW .531 x 1.063 x .175
3	605467	2	DUST SHIELD
4	605512	1	4" IDLER PULLEY
5	605379	1	SPRING, EXTENSION
6	604110	1	ANCHOR, SPRING TENSIONER
7	086660	1	NT .375-16NLG8
8	712893	2	FW 0.406X1.25X.12 HD ZN
9	124955-4	1	IDLER ARM, PIVOTING 34"
10	601839	1	PIVOT SPACER BUSHING
11	117539	1	SPACER, IDLER ARM
12	604253	1	CB .50-13 X 2.00 STD ZN
13	607480	1	IDLER PULLEY, 4.00"
14	605465	1	BASE, IDLER PULLEY MOUNT
15	606943	2	NT .562-18 HX NLG5
16	605443	2	DRIVE PULLEY-36"
17	604123	2	SPACER, PULLEY
18	036236	8	CS .312-18X1.000HXG5
19	768523	8	FW 0.343SAE
20	604251	1	NT .312-18 HXNL JAM G2ZN
21	122398	1	TENSIONING PULLEY STOP
22	037887	1	CB .312-18X 1.000 FUL ZN
23	080655	1	CS .375-16X1.500HXG5
24	604254	1	CB .50-13 X 2.50 STD ZN
25	604214	2	SPINDLE ASSY, RAP/ALP

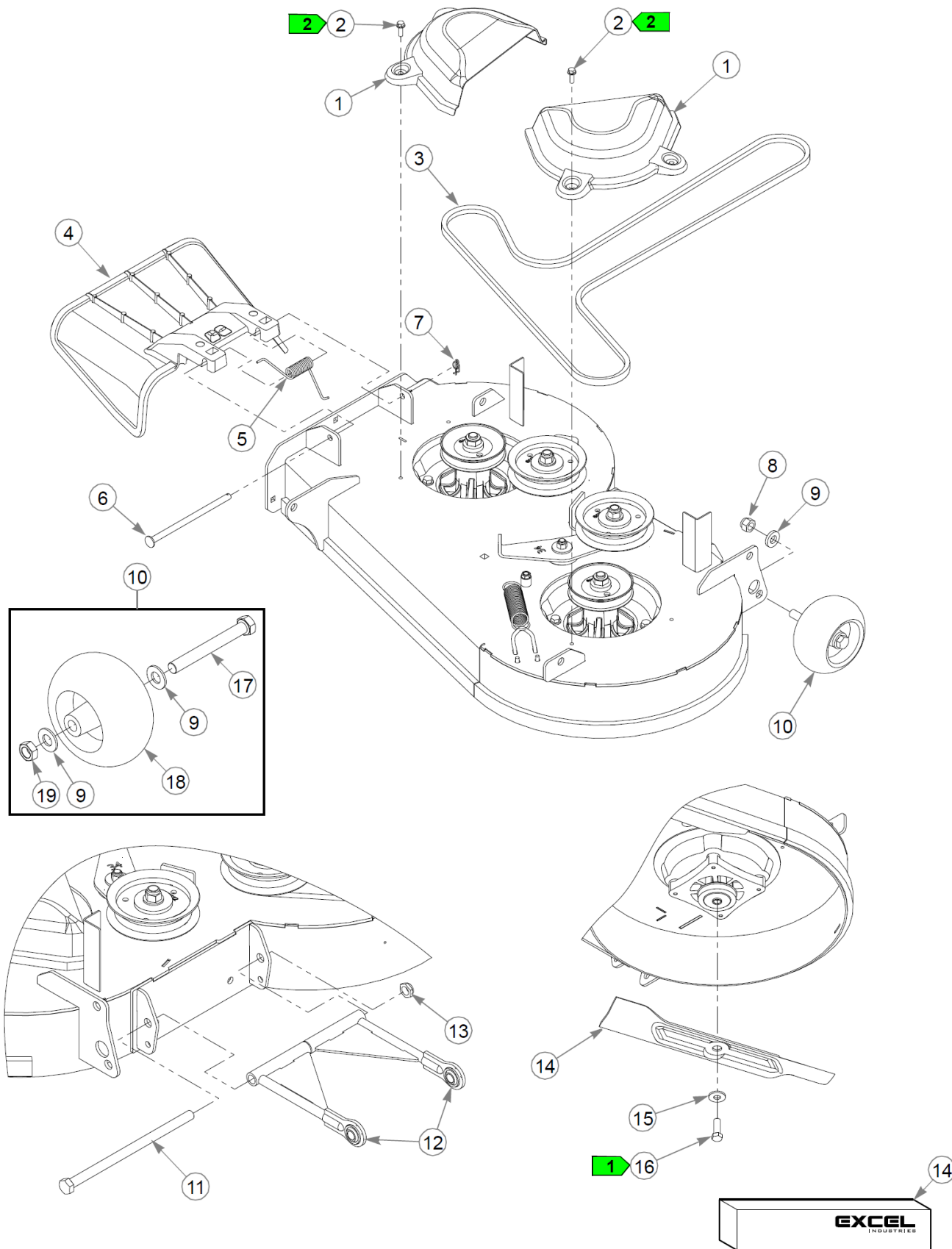
Comments for Page: Deck Pulleys & Spindles

1. Torque to 73 ft-lbs.
2. Torque to 18 ft-lbs.
3. Torque to 75 ft-lbs.



Spindle Service Parts - 604214

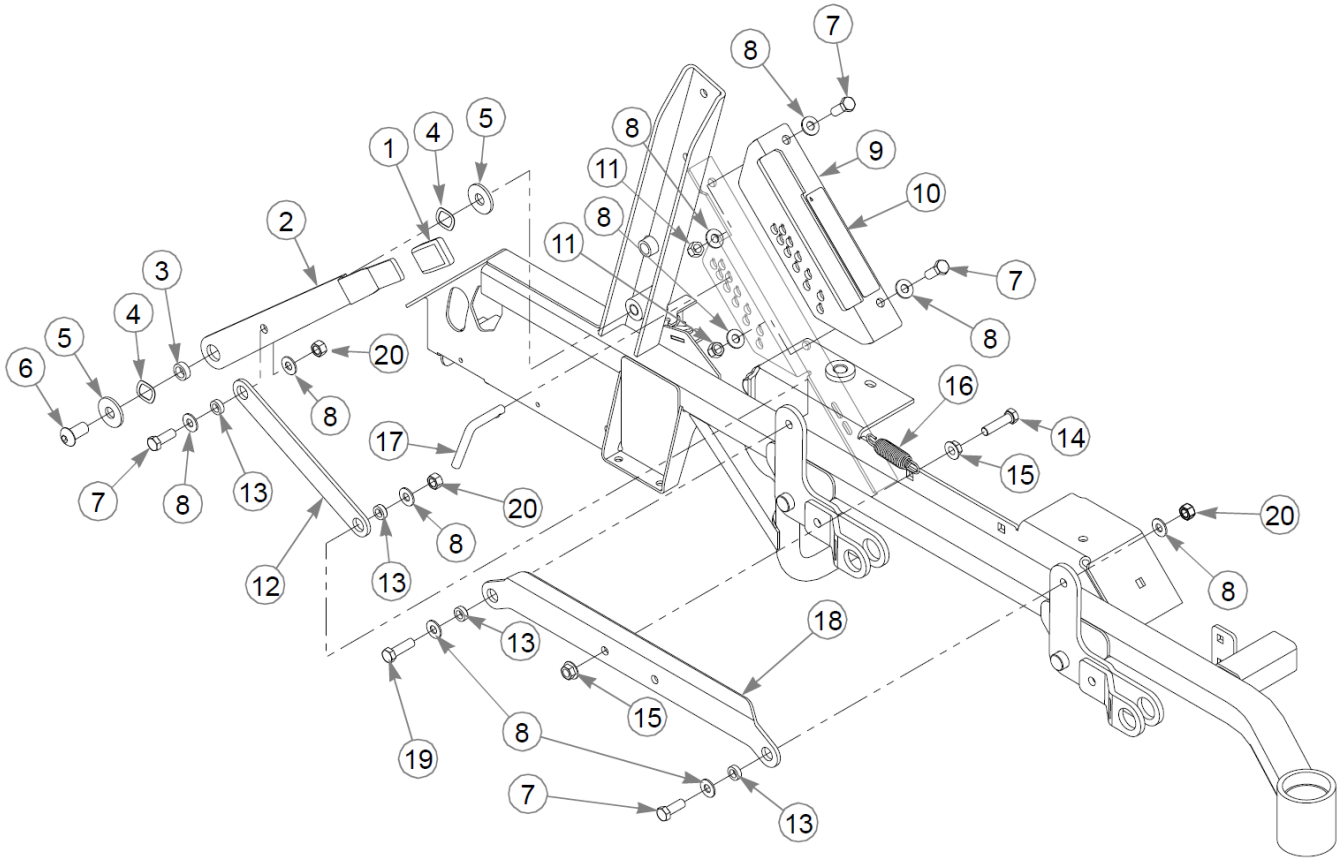
Item	Part No.	Qty	Name
1	604019	1	BEARING, SPINDLE
2	604218	1	CAST HOUSING
3	607274	1	SVC SHAFT



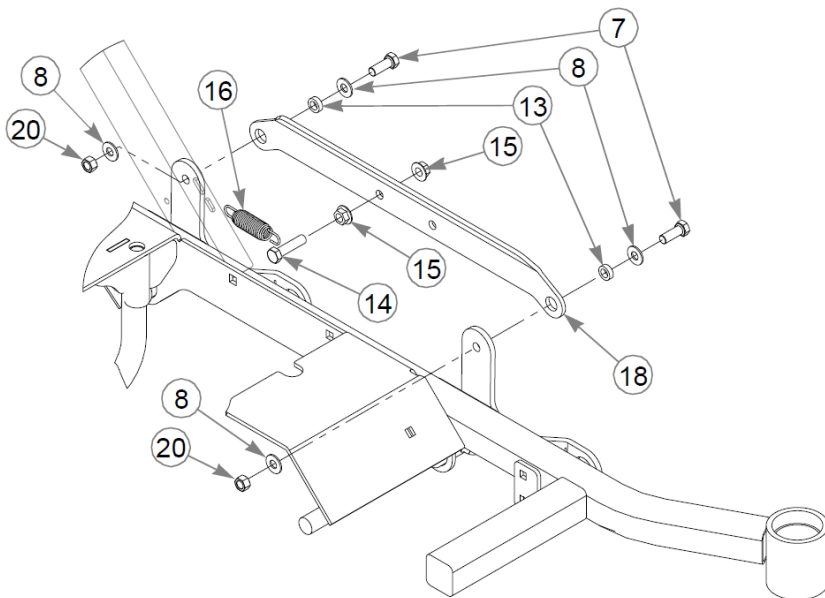
Item	Part No.	Qty	Name
1	604403	2	PULLEY COVER
2	604324	4	CS .250-20 X .75 HX FLG
3	602997	1	DECK BELT
4	607145	1	DISCHARGE CHUTE
5	607146	1	CHUTE SPRING
6	607157	1	PIN, DISCHARGE CHUTE
7	607093	1	CP, RUE RING .054 X .392
8	781567	1	NT .500-13NLG5
9	767962	3	FW .531 x 1.063 x .175
10	788166	1	WHEEL ASSY, ANTI SCALP
11	608501	1	CS .500-13X9.00HXG5
12	330225	2	PULLBAR W/A
13	707398	1	NT .500-13 JAM NY LK
14	607281	2	BLADE, 16.75"-M-F-CW
Not Shown	607281X	1	10PK BLADE, 16.75"-M-F-C
Not Shown	607311	2	BLADE, 16.75" MULCH-F-CW
Not Shown	607311X	1	10PK BLADE, 16.75" MULCH
15	602680	2	FW .453X1.12X.12 HRD ZN
16	754101	2	CS .437-20X1.250HXG5
17	781708	3	CS .500-13X4.25 HX G5 ZN
18	031997	3	ANTI-SCALP WHEEL
19	053199	3	NT .500-13JAMG5

Comments for Page: Deck, Deck Belt & Blades

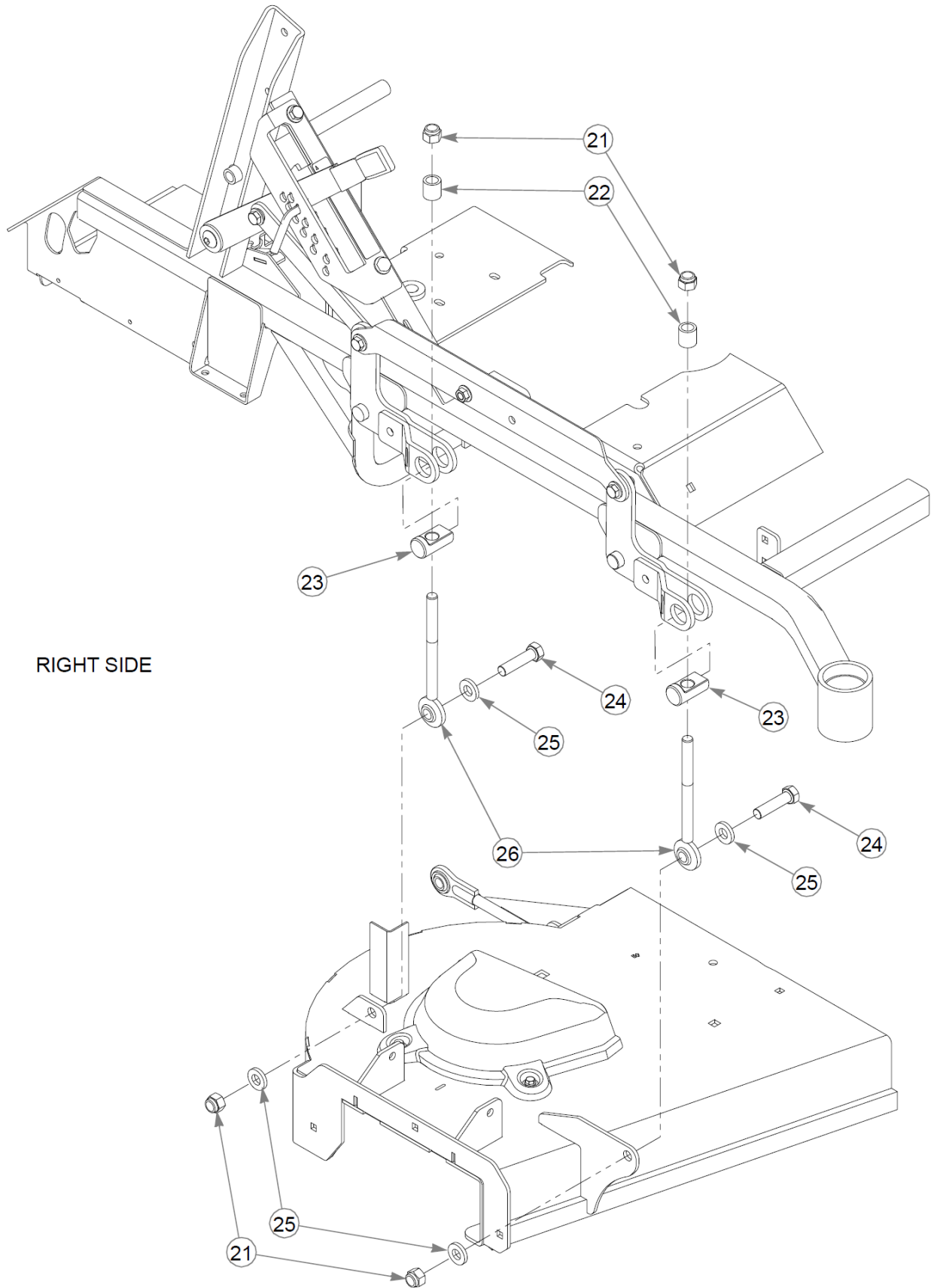
1. Torque to 118 ft-lbs.
2. Torque to 2–5 ft-lbs on these 4 self-tapping screws.



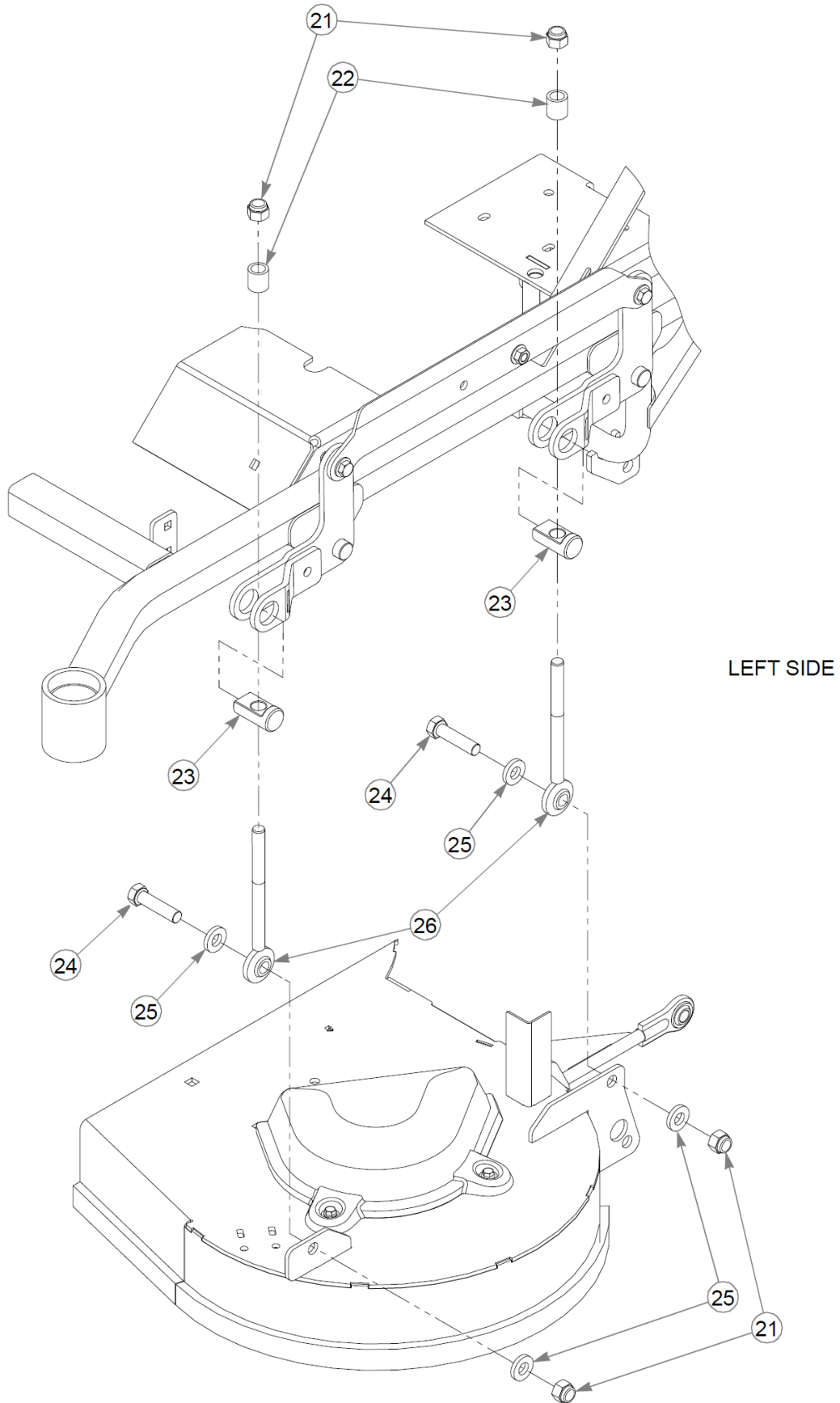
RIGHT SIDE



This page intentionally left blank

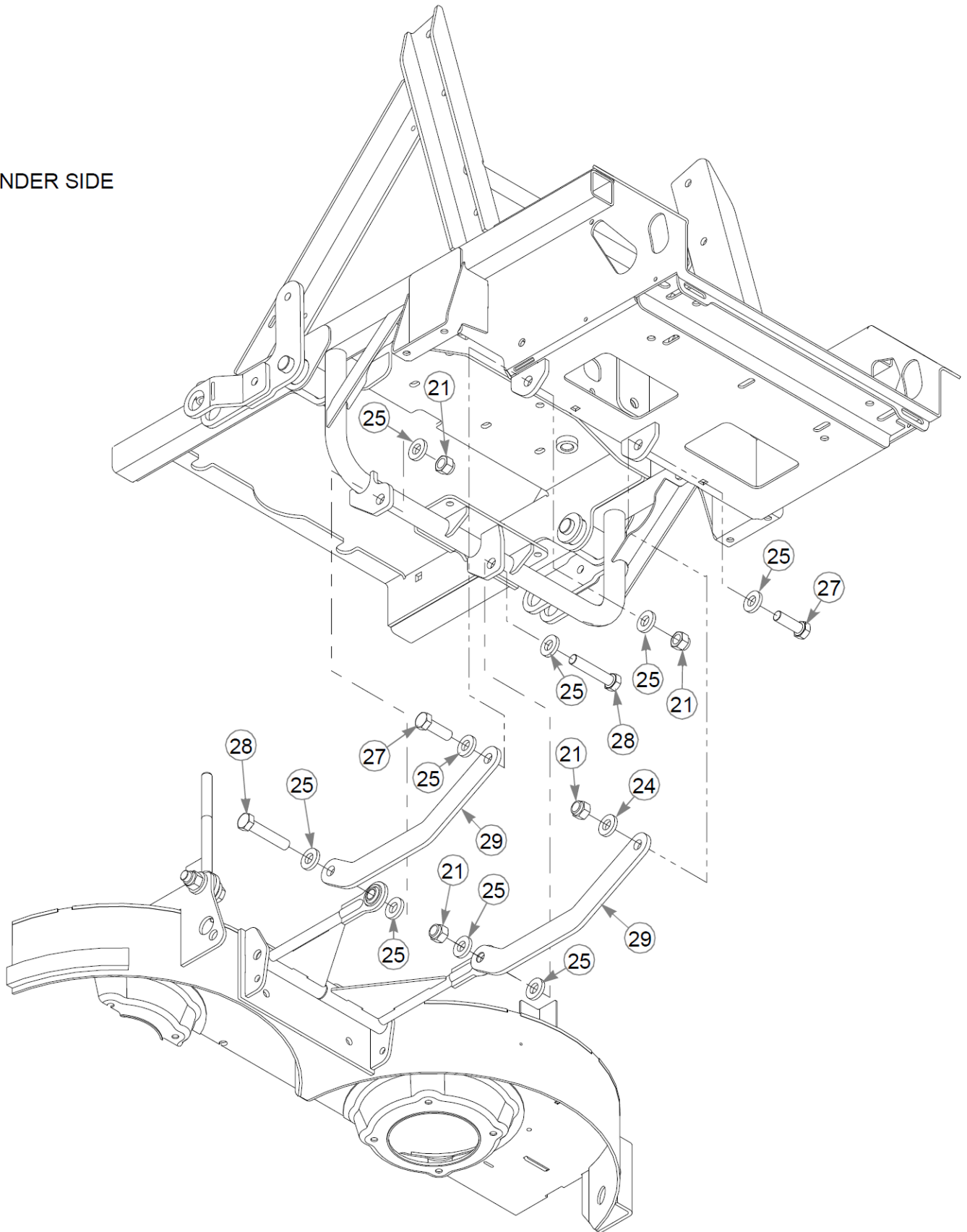


This page intentionally left blank



This page intentionally left blank

UNDER SIDE



Deck Lift & Mounting Hardware (Multi-Page)

34" Surfer Pro Parts Manual - 941591 - HTSRPS034KAWFR541VA

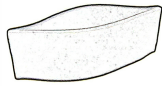
Item	Part No.	Qty	Name
1	603830	1	GRIP, BLACK .18x.94x4.0
2	127581-4	1	DECK LIFT HANDLE
3	608480-4	1	DECK LIFT SPACER
4	608503	2	WASHER, WAVY .752X1.062
5	712976	2	FW 0.531X1.38X.12 ZN
6	608502	1	CS .500-13-1.00 BH ZN
7	036244	6	CS .375-16X1.00 HX G5 ZN
8	767954	14	FW 0.379X.82X.06 HD ZN
9	556127	1	SVC, INDICATOR BRKT
10	608545	1	DECAL, DECK HEIGHT
11	086660	2	NT .375-16NLG8
12	127579-4	1	DECK LIFT LINK
13	601839	6	PIVOT SPACER BUSHING
14	080655	2	CS .375-16X1.500HXG5
15	016899	4	NT .375-16 FLKG5
16	607201	2	SPRING, EXTENSION
17	601963	1	PIN, DECK HEIGHT STOP
18	127635-4	2	DECK LIFT LINK
19	052860	1	CS .375-16X1.25 HX G5 ZN
20	054502	5	NT .375-16HXG5
21	781567	12	NT .500-13NLG5
22	606292	4	DECK LEVEL SPACER
23	607979	4	DECK LEVEL PIVOT
24	078949	4	CS .500-13X2.000 FUL HX
25	767962	16	FW .531 x 1.063 x .175
26	608481-4	4	DECK HANGER
27	074252	2	CS .500-13X1.50 HX G5 ZN
28	008573	2	CS .500-13X2.500HXG5
29	127805-1	2	PUSHER SUPPORT

REPLACEMENT PARTS - QUICK LIST

Filters



Air Filter - Main



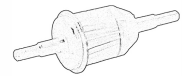
Air Filter - Safety



Oil Filter



Fuel Filter



Vapor System Filter



Blades



Standard Blade



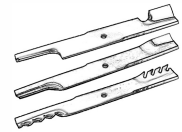
Box of Standard Blades



Mulch Blade



Box of Mulch Blades

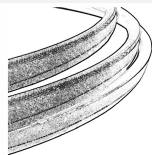


Additional Blade Options
Refer to Parts Manual

Belts



Deck Belt



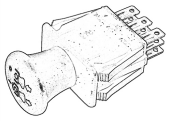
Drive Belt



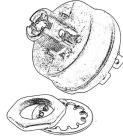
This page intentionally left blank

REPLACEMENT PARTS - QUICK LIST

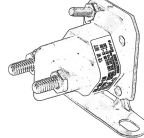
Switches / Solenoid



PTO



Ignition



Solenoid



Deck Parts



Discharge Chute



Discharge Chute Spring



Pulley Cover



Anti-Scalp Wheel



Deck Height Pin



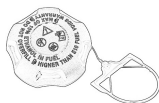
This page intentionally left blank

REPLACEMENT PARTS - QUICK LIST

Miscellaneous Parts



Key



Fuel Cap



Hustler Fluids



8 FL. OZ.

Fuel Stabilizer



QUART

Engine Oil



'QUICK LIST' Replacement Parts List

Item	Part No.	Qty	Name
1	603059	1	AIR FILTER - MAIN
2	603058	1	PRE FILTER, KAW
3	602581	1	ENGINE OIL FILTER
4	068478	1	FUEL FILTER - IN LINE
5	604323	1	VAPOR SYSTEM FILTER
6	607281	2	BLADE, 16.75"-M-F-CW
7	607281X	1	10PK BLADE, 16.75"-M-F-C
8	607311	2	BLADE, 16.75" MULCH-F-CW
9	607311X	1	10PK BLADE, 16.75" MULCH
10	602997	1	DECK BELT
11	601838	1	DRIVE BELT
12	776476	1	SWITCH, PTO 6201-321
13	045898	1	IGNITION SWITCH
14	606445	1	STARTER SOLENOID
15	607145	1	DISCHARGE CHUTE
16	607146	1	CHUTE SPRING
17	604403	1	PULLEY COVER
18	788166	1	WHEEL ASSY, ANTI SCALP
19	601963	1	PIN, DECK HEIGHT STOP
20	785808	1	KEY ASSEMBLY
21	607731	1	CAP - 2.25" KELCH
22	606531	1	FUEL STABILIZER, CASE
<p>Comments for Part Num. 606531</p> <p>EACH CASE CONTAINS 6 - 8 FL. OZ. BOTTLES</p>			
23	606535	1	OIL 10W-30, CASE