

Hustler® Parts Manual

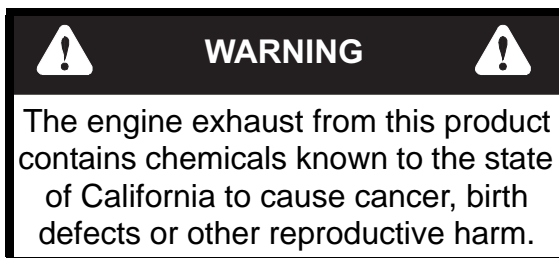


HUSTLER®
TURF EQUIPMENT

200 South Ridge Road

Hesston, Kansas

67062



NOTICE OF REQUIREMENT OF SPARK ARRESTER MUFFLER

This equipment may create sparks that can start fires around dry vegetation. California Public Resources Code Section 4442.6 provides that it is unlawful to use or operate an internal combustion engine on any forest-covered, brush-covered, or grass-covered land unless the engine is equipped with a spark arrester maintained in effective working order. A spark arrester is a device constructed of nonflammable materials specifically for the purpose of removing and retaining carbon and other flammable particles over 0.0232 of an inch in size from the exhaust flow of an internal combustion engine that uses hydrocarbon fuels or which is qualified and rated by the United States Forest Service. Other states or federal areas may have similar laws. The Operator Should Contact Local Fire Agencies For Laws or Regulations Relating to Fire Prevention Requirements. **THIS EQUIPMENT DOES NOT HAVE A SPARK ARRESTER AND YOU SHOULD CONTACT YOUR AUTHORIZED DEALER FOR THE PURCHASE OF A SPARK ARRESTER.**

Inspect spark arrester daily; replace every 500 hours or as needed.

The Engine Owner's Manual provides information regarding the U.S. Environmental Protection Agency (EPA) and the California Emission Control Regulation of emission systems, maintenance and warranty.

Keep Engine Owner's Manual with your unit. Should the Engine Owner's Manual become damaged or illegible, replace immediately. Replacements may be ordered per the information found in the Product Information section of the owner's manual.

Federal law and California State law prohibit the following acts or the causing thereof:

1. The removal or rendering inoperative by any person other than for purposes of maintenance, repair, replacement, of any device or element of design incorporated into any equipment for the purposes of emissions control prior to or after its sales or delivery to the ultimate purchaser or while it is in use, or
2. The use of the equipment after such device or element of design has been removed or rendered inoperative by any person.

General Information	1
Frame, Muffler Guard & Engine Guard	
Frame	3-1
Engine Guard & Muffler Guard	3-2
Hydraulic System, Drive Belt, Clutch, Steering & Brake	
Hydraulic System Assembly	4-1
Hydraulic Filter & Reservoir Breakdown	4-2
Wheel Motor Assembly Breakdown	4-3
LS Pump Assembly Breakdown	4-4
RS Pump Assembly Breakdown	4-5
Oil Cooler Mount - S/N 20103450 & HIGHER	4-6
Oil Cooler Mount - S/N PRIOR TO 20103450	4-7
Pump Drive, Drive Belt & Clutch	4-8
Steering	4-9
Steering Cover Assembly (Multi-Page)	4-10
Steering Box Breakdown	4-11
Brake	4-12
Wheels & Tires	
Wheels & Tires	5-1
Front Wheel Assembly	5-2
Drive Wheel Assembly	5-3
Engine, Muffler & Fuel System	
Engine & Muffler	6-1
Engine Service Parts - FX1000V EFI	6-2
Fuel System	6-3
LS Fuel Tank Service Parts - 607876	6-4
RS Fuel Tank Service Parts - 607877	6-5
Instrument Panel, Wire Harness & Battery	
Instrument Panel & Wire Harness	7-1
Battery	7-2
Deck, Deck Belt, Blades & Deck Lift	
Service Deck	8-1
Deck Pulleys & Spindles	8-2
Spindle Assembly Service Parts - 607407	8-3
Deck Belt, Discharge Chute, Pulley Covers & Blades	8-4
Deck Lift & Deck Height (Multi-Page)	8-5
Seat & ROPS	
Seat & Floor Pan	9-1
Seat Service Parts - 607706	9-2
ROPS	9-3

General Information

Note: When ordering parts, you must use the part number as shown for each part, not the index number. Always give the model and serial number to your parts and service representative.

Note: Items sold in bulk such as seals and hoses are sold by the foot.

Using This Manual

This manual is part of a service package for the Hustler® mowers. Use of this manual in conjunction with other Hustler® mower and component manuals will provide the information necessary to service and maintain Hustler® mowers.

This Parts Manual provides a complete parts listing for the unit. Use this manual when ordering parts. Illustrations used were current at the time of printing, but subsequent production changes may cause your machine to vary slightly in detail. Excel Industries, Inc. reserves the right to redesign and change the machine as deemed necessary, without notification. If a change has been made to your machine which is not reflected in this parts manual, see your authorized dealer for current information and parts.

The Service Manual is a service guide for use by Service Technicians. It provides the necessary information needed to perform normal maintenance requirements on these units.

The Operator's Manual provides fundamental operational information and operational safety that is needed when operating the mower.

The component manuals are furnished by the various manufacturers to be used for the troubleshooting and servicing of their products.

Hardware Description Codes & Abbreviations

The following codes are used throughout this parts manual. Refer to this list when ordering parts.

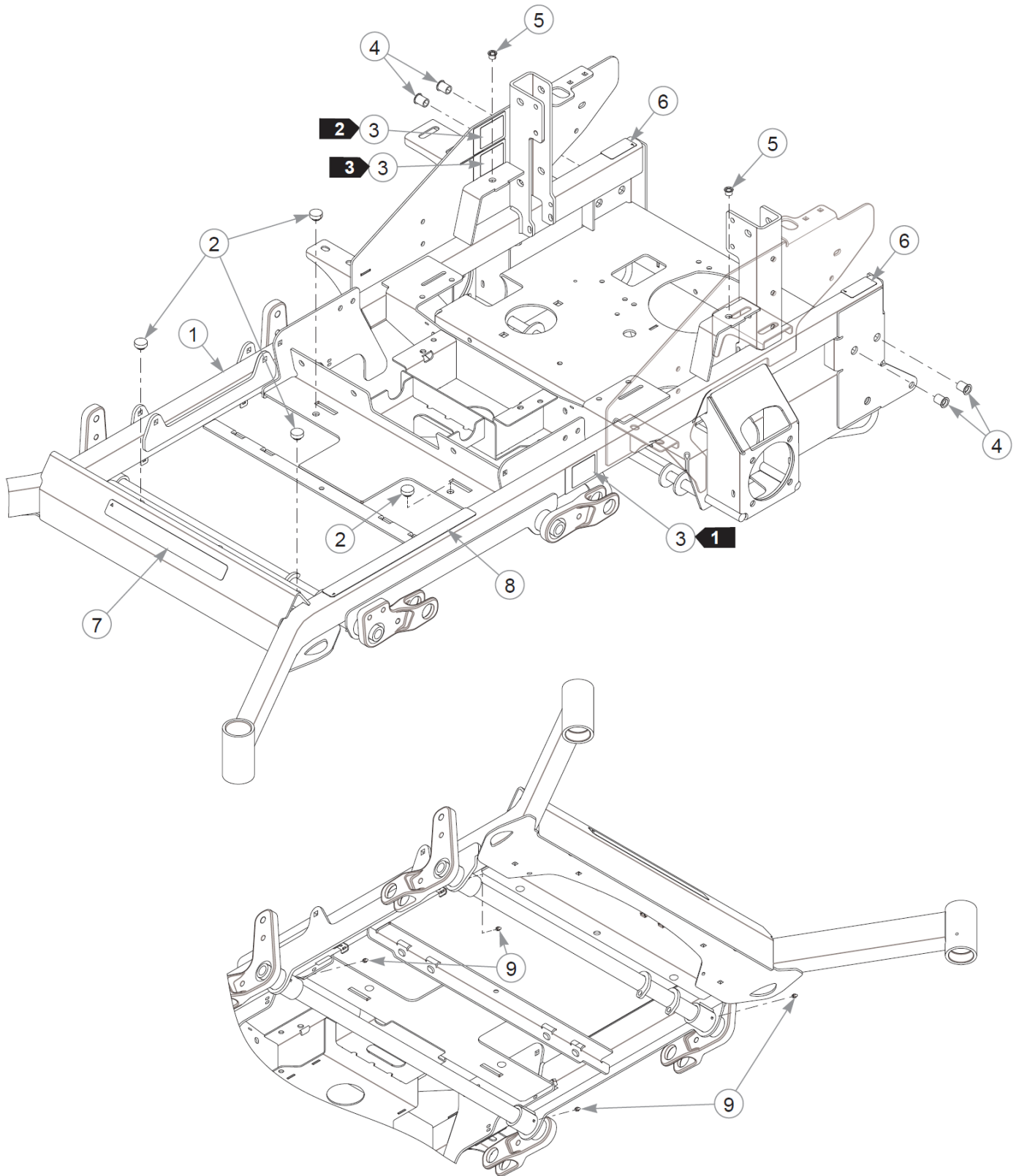
ABBREVIATION	DESCRIPTION	ABBREVIATION	DESCRIPTION
CB	CARRIAGE BOLT	MB	MACHINE BUSHING
CE	CLEVIS PIN	MS	MACHINE SCREW
CN	CLIP NUT	NT	NUT
CP	COTTER PIN	SC	SELF TAPPING CAP SCREW
CS	CAP SCREW	SH	SOCKET HEAD
CW	CUP WASHER	SB	SHOULDER BOLT
FDRW	FENDER WASHER	SS	SET SCREW
FW	FLAT WASHER	OD	OUTSIDE DIAMETER
HX	HEX HEAD	ID	INSIDE DIAMETER
LW	LOCK WASHER	WN	WELD NUT

Standard Torques

The following chart lists the standard torque values for the threaded fasteners found in this manual. Torque all cap screws, nuts and set screws to these values unless a different torque is shown in the Notes section next to the fastener.

SIZE	FT-LBS	N•M	SIZE	FT-LBS	N•M
.250	8.2	11.1	M3	1	1.3
.312	17	23	M4	2.2	3
.375	30	40	M5	4.5	6.1
.438	48	65	M6	7.7	10.4
.500	73	99	M8	18.5	25
.562	105	143	M10	37	50
.625	145	200	M12	64	87
.750	260	350	M14	80	108.5
.875	420	565	M16	160	215
1.00	625	850	M20	320	435
			M24	555	750

This page intentionally left blank

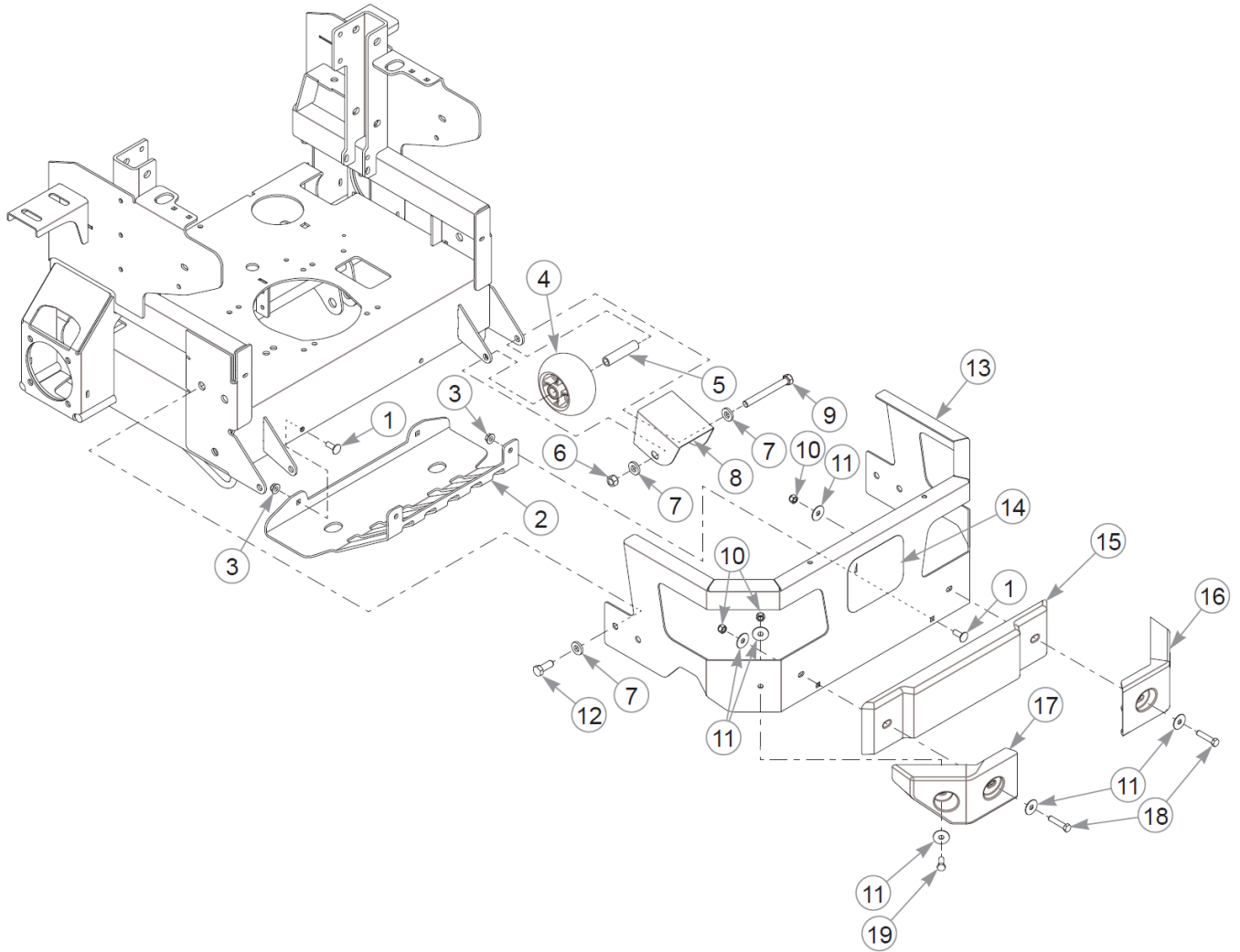


Frame

Item	Part No.	Qty	Name
1	554262	1	SVC FRAME 72"
2	781880	4	BUMPER, .500x 1.00x .31
3	N/A	3	SERIAL NUMBER / SPEC DECAL
4	600961	4	RIVET NUT, 1/2-13 THREAD
5	808493	2	RIVET NUT, 3/8-16 THREA
6	602041	2	DECAL, HOT
7	602407	1	DECAL, HUSTLER ID
8	601993	1	DECAL, SAFE OPERATION
9	015495	4	GREASE FITTING STRAIGHT

Comments for Page: Frame

1. Serial number decal. In the event the serial number decal becomes damaged or illegible, please contact your dealer to order a replacement.2. EPA compliance decal.3. Patent numbers decal.4. The frame includes decals, rivet nuts, and bumpers.

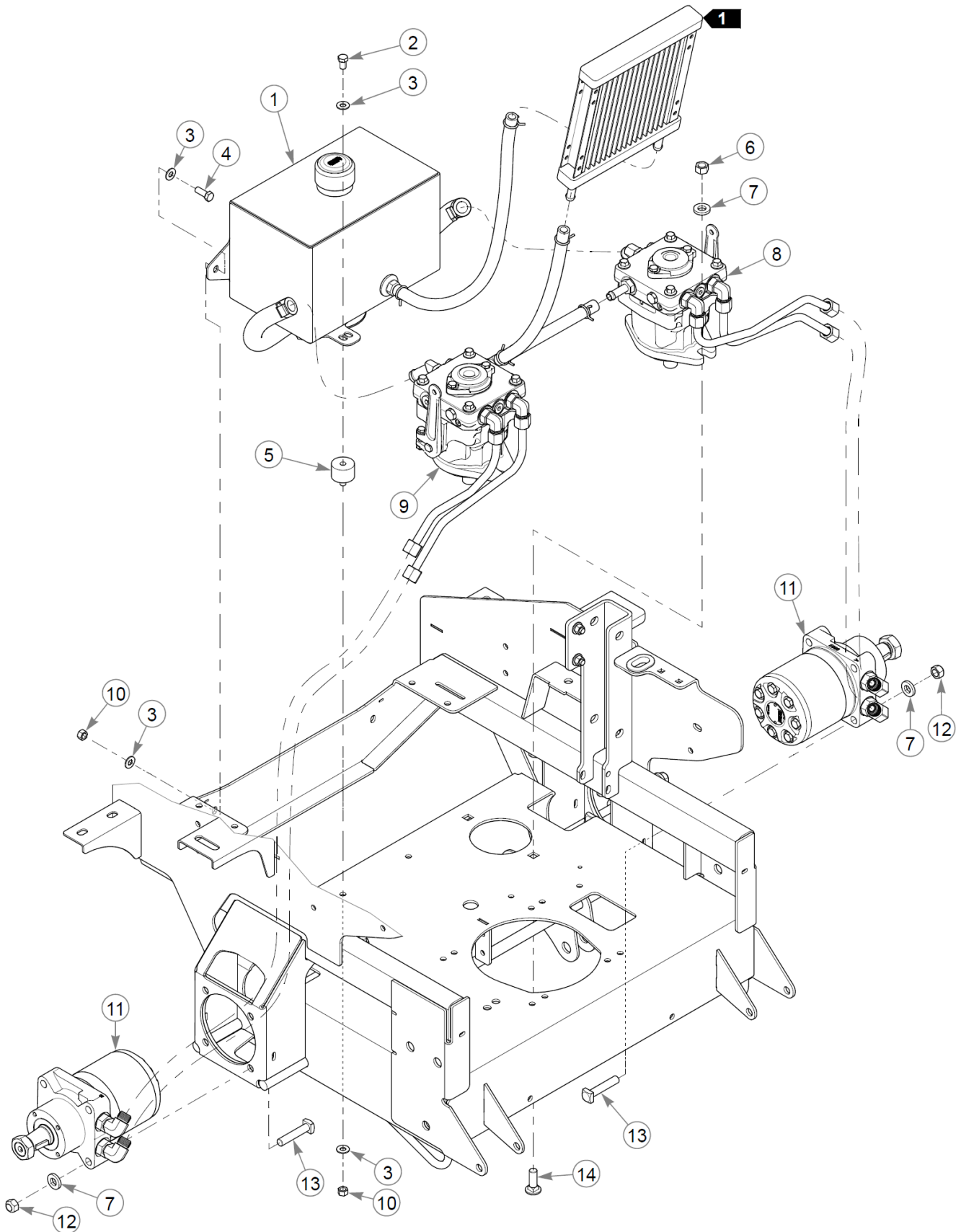


Engine Guard & Muffler Guard

Item	Part No.	Qty	Name
1	025395	4	CB .375-16X 1.00 G5 ZN
2	124897-3	1	MUFFLER GUARD
3	016899	4	NT .375-16 FLKG5
4	602263	2	WHEEL, ANTI-SCALP
5	602345	2	SPACER, ANTI-SCALP 3.22
6	008193	2	NT .500-13HXG5
7	767962	8	FW .531 x 1.063 x .175
8	377994	2	HEAT SHIELD, MMZ ROLLER
9	068239	2	CS .500-13X4.500HXG5
10	086660	4	NT .375-16NLG8
11	705137	8	FW 0.391X1.25X.06 ZN
12	705954	4	CS .500-13X1.25 HX G5 ZN
13	554294	1	SVC, ENGINE GUARD
14	606807	1	DECAL, H LOGO
15	606657	1	PLASTIC BUMPER, CENTER
16	606659	1	PLASTIC BUMPER, RH
17	606658	1	PLASTIC BUMPER, LH
18	705178	2	CS .375-16X1.750HXG5
19	036244	2	CS .375-16X1.00 HX G5 ZN

Comments for Page: Engine Guard & Muffler Guard

1. The engine guard includes the decal.



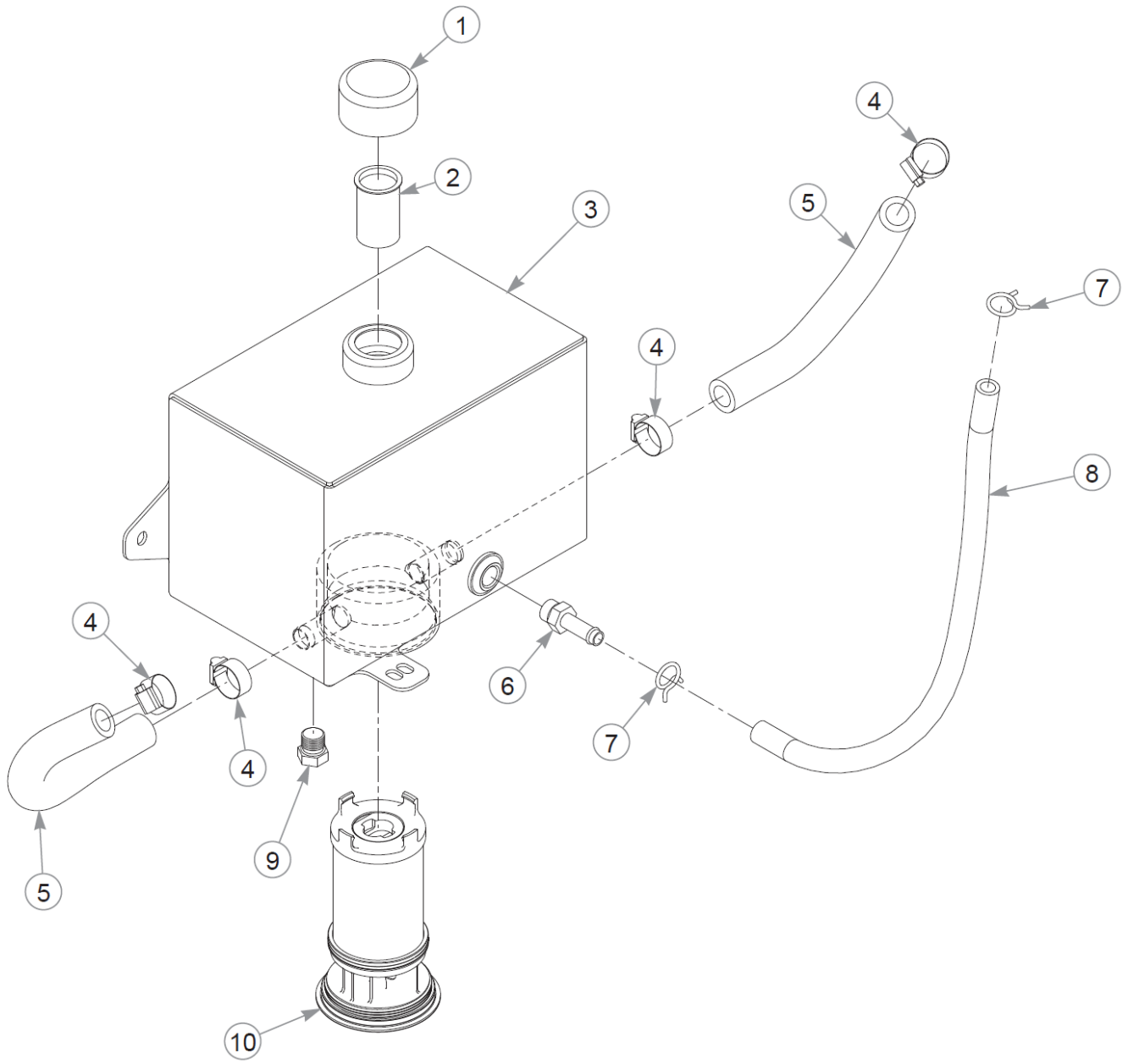
Hydraulic System Assembly

Item	Part No.	Qty	Name
1		1	REFER TO THE "HYDRAULIC RESERVOIR BREAKDOWN"
2	056069	1	CS .375-16X0.63 HX G5 ZN
3	767954	6	FW 0.379X.82X.06 HD ZN
4	036244	2	CS .375-16X1.00 HX G5 ZN
5	606890	1	VIBRATION MOUNT
6	008193	4	NT .500-13HXG5
7	767962	12	FW .531 x 1.063 x .175
8		1	REFER TO THE "RS PUMP ASSEMBLY BREAKDOWN"
9		1	REFER TO THE "LS PUMP ASSEMBLY BREAKDOWN"
10	054502	3	NT .375-16HXG5
11		2	REFER TO THE "WHEEL MOTOR ASSEMBLY BREAKDOWN"
12	023317	8	NT .500-13UNTG8
13	602256	8	CS .500-13X2.500 SQ G5
14	028274	4	CB .500-13X 1.500 FULL

Comments for Page: Hydraulic System Assembly

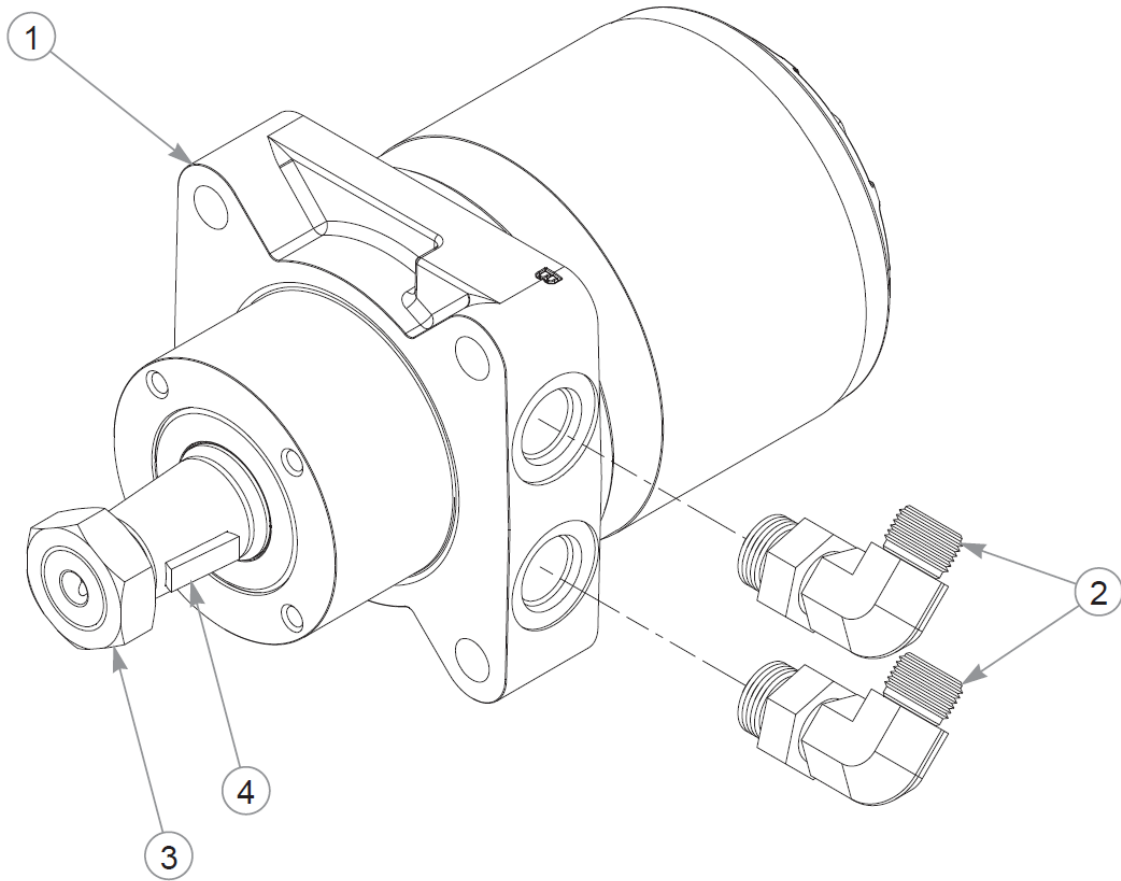
1. Part of the Oil Cooler Mount assembly.

Hydraulic Filter & Reservoir Breakdown



Hydraulic Filter & Reservoir Breakdown

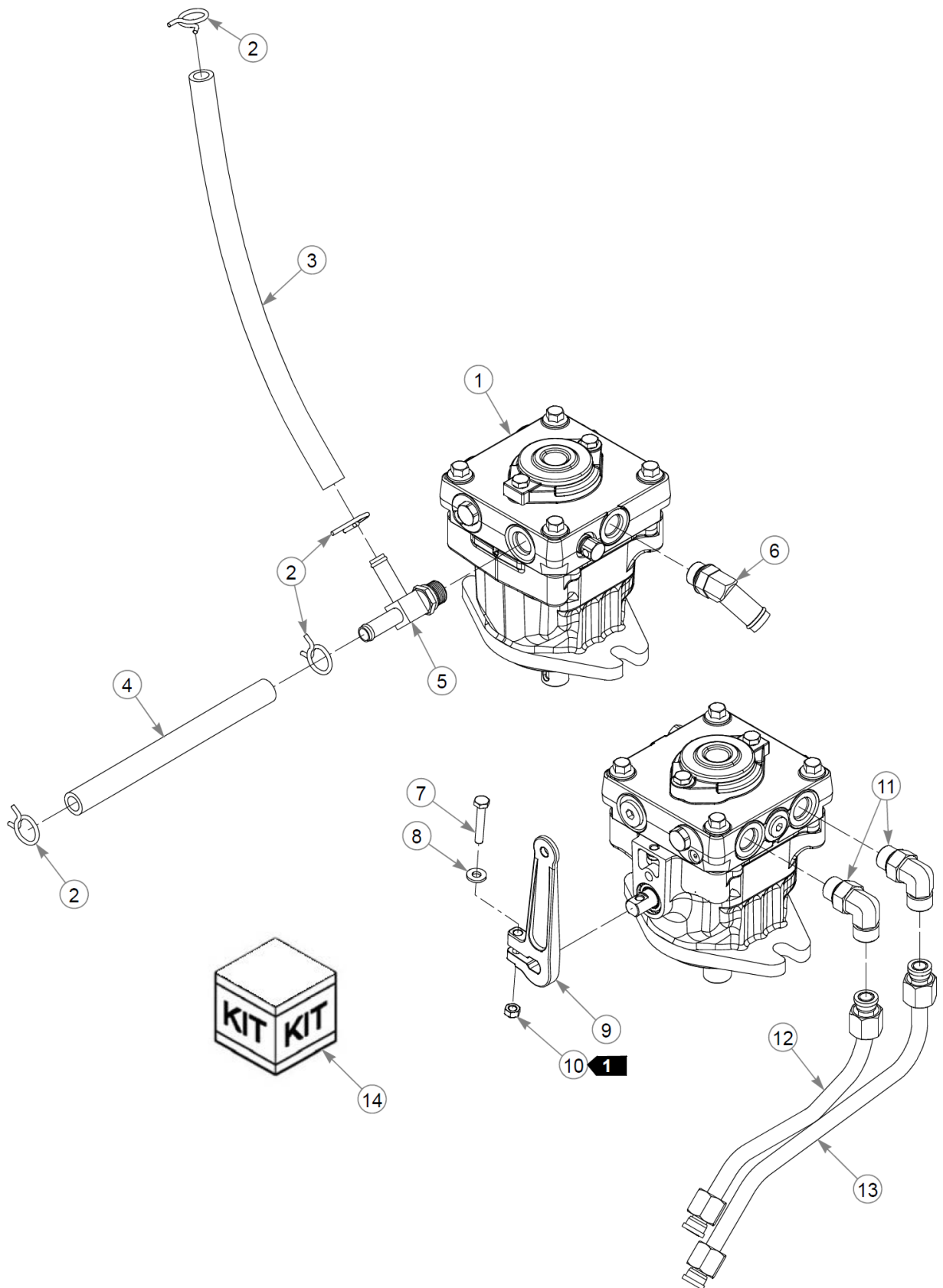
Item	Part No.	Qty	Name
1	032763	1	CAP, BREATHER
2	032771	1	STRAINER
3	606088	1	RESEVOIR, HYDRAULIC
4	700484	4	CLAMP, HOSE (FS)
5	603045	2	HOSE, PUMP SUCTION
6	601523	1	FTG, -8MORB/-8BT STR
7	601001	2	SPRING CLAMP, .75" DIA
8	603819	1	HOSE ASSY, COOLER-TANK
9	781658	1	FTG, -8MORB/HEX PLUG
10	602768X	1	HYDRAULIC OIL FILTER



Wheel Motor Assembly Breakdown

Item	Part No.	Qty	Name
1	606089	1	MOTOR, TG0310 HOS - HH
2	781526	2	FTG, 90°-10MORB/-8MORFS
3	065516	1	ROSS NUT
4	064337	1	ROSS WOODRUFF KEY
5	748806	1	ROSS VITON SEAL KIT

LS Pump Assembly Breakdown



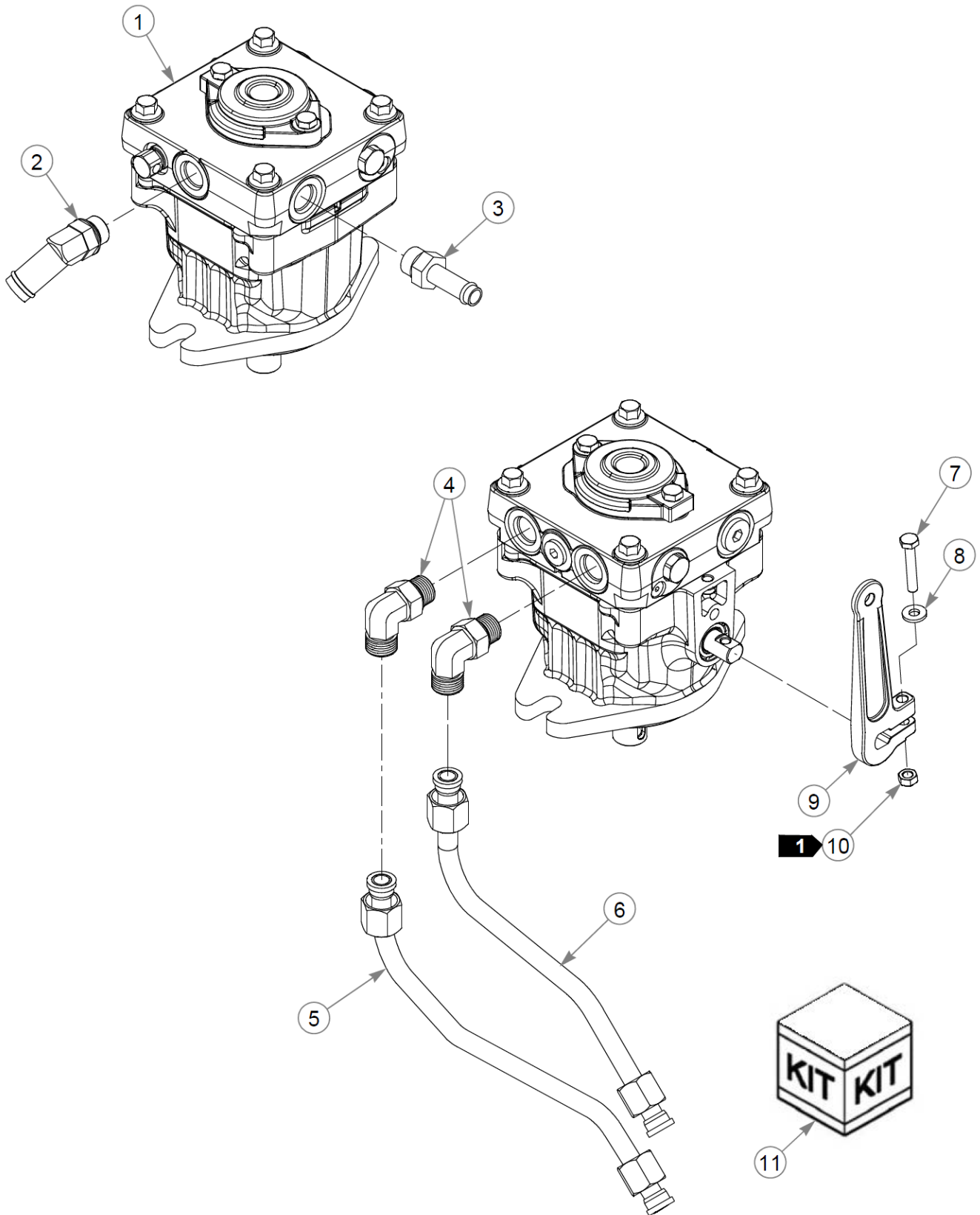
LS Pump Assembly Breakdown

Item	Part No.	Qty	Name
1	605759	1	PUMP, H-G PY W/ HOS-LS
2	601001	4	SPRING CLAMP, .75" DIA
3	606102	1	HOSE, PUMP DRAIN
4	606101	1	HOSE, PUMP DRAIN
5	606100	1	FTG, T -8 MORB/BT/BT
6	744854	1	O-RING TUBE ADAPTER 45
7	008581	1	CS .250-20X1.500HXG5
8	768515	1	FW 0.281SAE
9	604831	1	PUMP ARM, SZ
10	068551	1	NT .250-20 HXZY NL
11	781542	2	FTG, 90°-8MORB/-8MORFS
12	604334	1	TUBE, LP-TM LT LOOP
13	604335	1	TUBE, RP-BM LT LOOP
14	784983	1	SEAL KIT, PW PUMPS

Comments for Page: LS Pump Assembly Breakdown

1. Torque to 8.2 ft-lbs.

RS Pump Assembly Breakdown

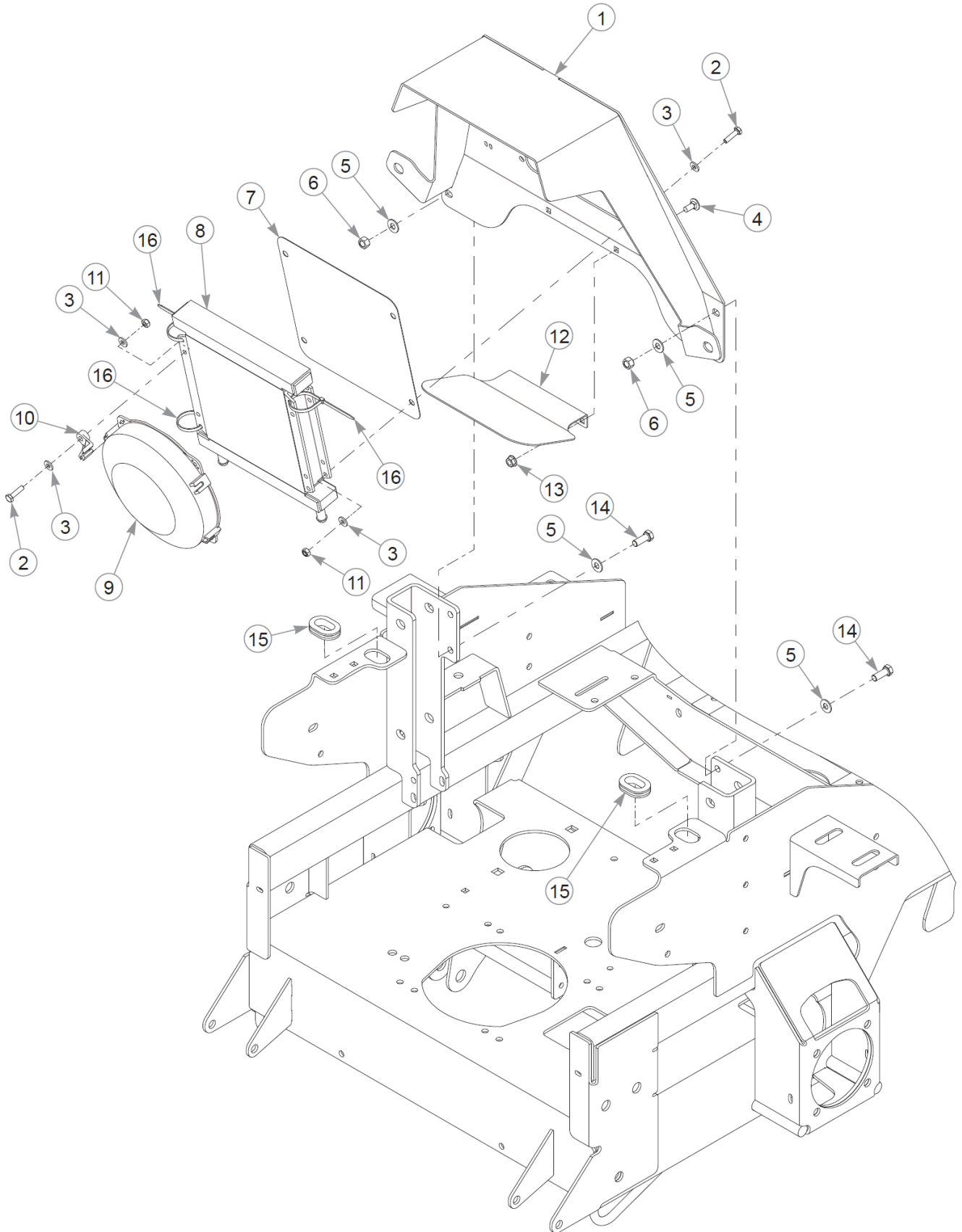


RS Pump Assembly Breakdown

Item	Part No.	Qty	Name
1	605760	1	PUMP, H-G PY W/HOS-RS-HH
2	744854	1	O-RING TUBE ADAPTER 45
3	601523	1	FTG, -8MORB/-8BT STR
4	781542	2	FTG, 90°-8MORB/-8MORFS
5	604333	1	TUBE, LP-TM RT LOOP
6	604332	1	TUBE, RP-BM RT LOOP
7	008581	1	CS .250-20X1.500HXG5
8	768515	1	FW 0.281SAE
9	604831	1	PUMP ARM, SZ
10	068551	1	NT .250-20 HXZY NL
11	784983	1	SEAL KIT, PW PUMPS

Comments for Page: RS Pump Assembly Breakdown

1. Torque to 8.2 ft-lbs.

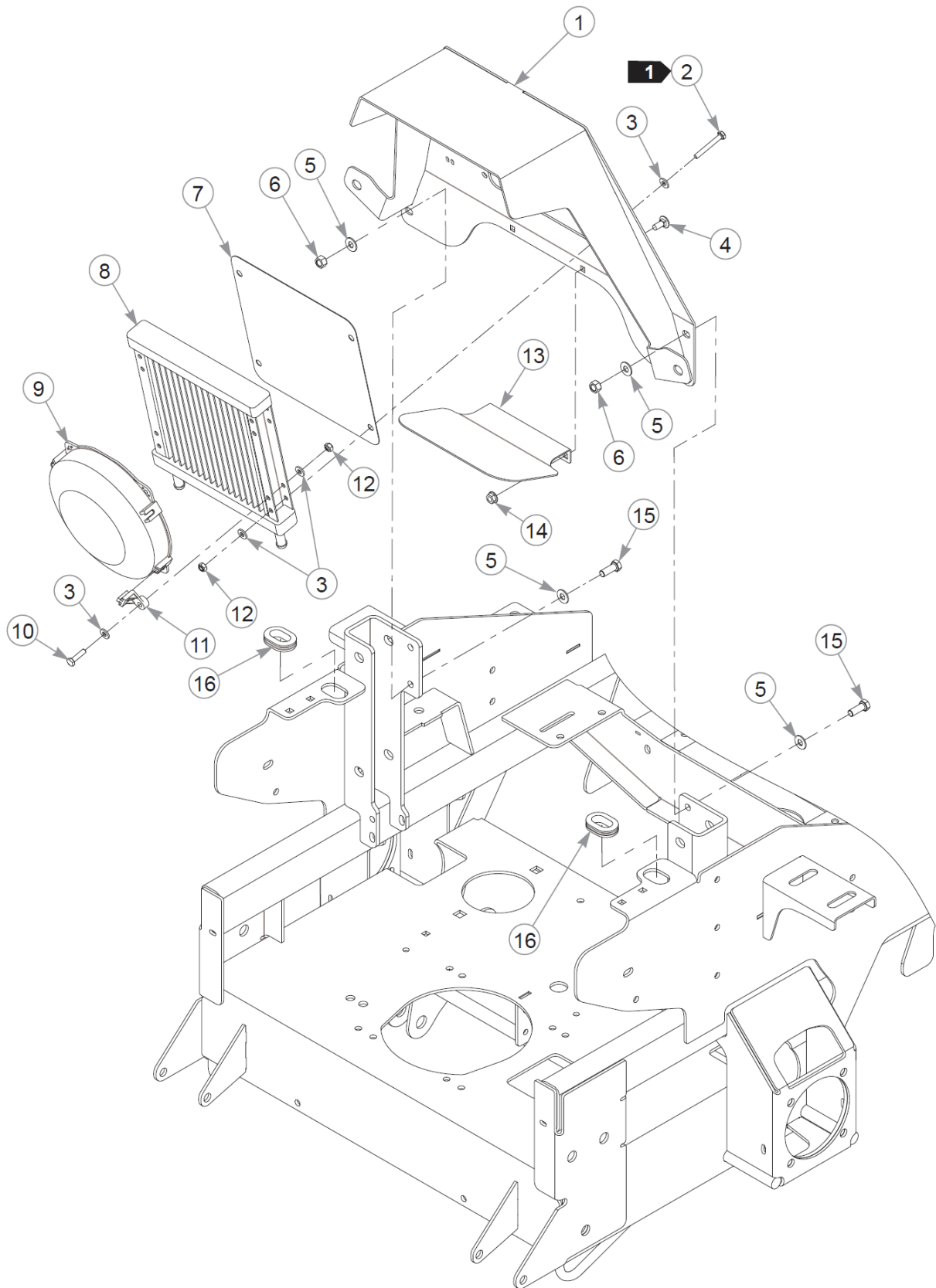


Oil Cooler Mount - S/N 20103450 & HIGHER

Item	Part No.	Qty	Name
1	124296-1	1	W/A, OIL COOLER MOUNT
2	056077	8	CS .250-20X1.000HXG5
3	768515	16	FW 0.281SAE
4	016253	2	CB .312-18X .750 FUL ZN
5	767954	8	FW 0.379X.82X.06 HD ZN
6	054502	4	NT .375-16HXG5
7	109401	1	SCREEN, OIL COOLER
8	608007	1	OIL COOLER
9	601357	1	FAN, ELECTRIC 8" 12VDC
10	601538	4	FOOT, ELECTRIC FAN
11	068551	8	NT .250-20 HXZY NL
12	123687-3	1	AIR DEFLECTOR
13	016832	2	NT .312-18FLKG5
14	036244	4	CS .375-16X1.00 HX G5 ZN
15	706531	2	GM 1.12X1.75X1.37X.12
16	000430	5	WIRE TIE, SMALL/LONG

Comments for Page: Oil Cooler Mount - S/N 20103450 & HIGHER

1. Torque to 5 ft-lbs.



Oil Cooler Mount - S/N PRIOR TO 20103450

Item	Part No.	Qty	Name
1	124296-1	1	W/A, OIL COOLER MOUNT
2	704163	4	CS .250-20X2.000HXG5
3	768515	16	FW 0.281SAE
4	016253	2	CB .312-18X .750 FUL ZN
5	767954	8	FW 0.379X.82X.06 HD ZN
6	054502	4	NT .375-16HXG5
7	109401	1	SCREEN, OIL COOLER
8	601356	1	OIL COOLER FOR 8" FAN
9	601357	1	FAN, ELECTRIC 8" 12VDC
10	056077	4	CS .250-20X1.000HXG5
11	601538	4	FOOT, ELECTRIC FAN
12	068551	8	NT .250-20 HXZY NL
13	123687-3	1	AIR DEFLECTOR
14	016832	2	NT .312-18FLKG5
15	036244	4	CS .375-16X1.00 HX G5 ZN
16	706531	2	GM 1.12X1.75X1.37X.12
17	000430	5	WIRE TIE, SMALL/LONG

Pump Drive, Drive Belt & Clutch

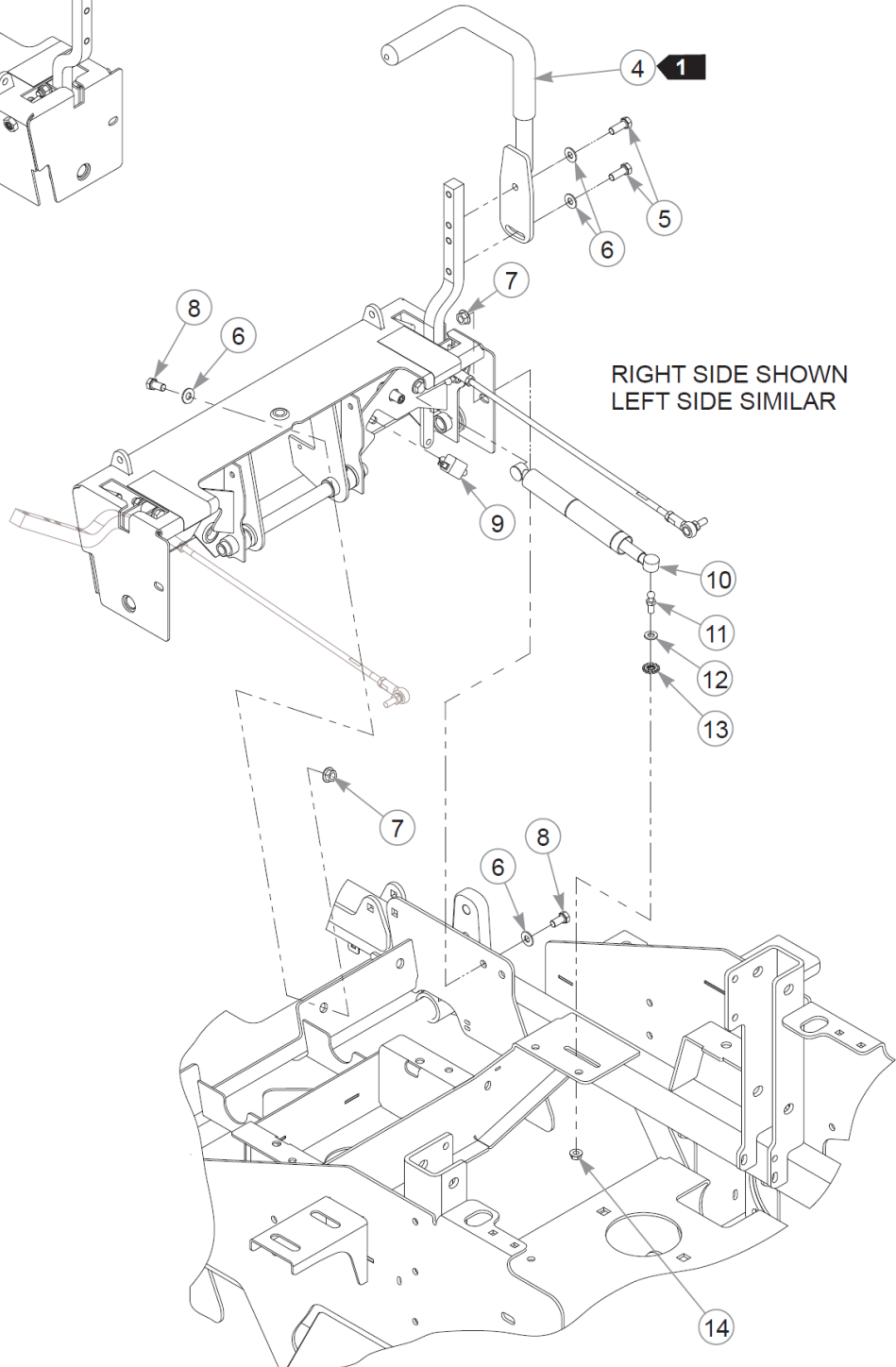
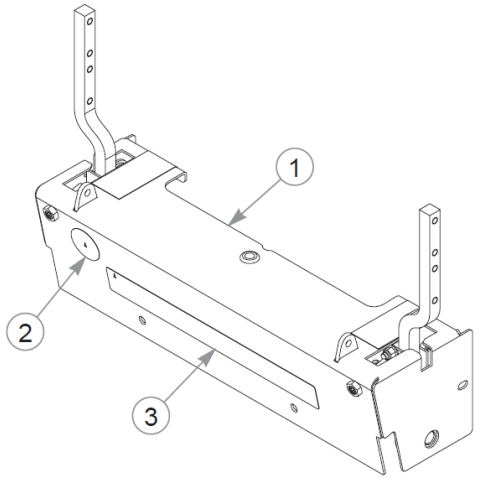
Item	Part No.	Qty	Name
1	051151	1	CS .500-13X5.000HXG5
2	344267	1	FW .510X2.15X.19 ZN
3	212076	1	KEY 1/4 SQ X 1.50 LG(FS)
4	791251	1	HARNES, CLUTCH PIGTAIL
<p>Comments for Part Num. 791251</p> <p>Pigtail was updated with epoxy to hold the wires steady. The wire sheath was also updated to a more flexible material.</p>			
5	603734	1	PULLEY 6.67 OPX1.125SHFT
6	606936K	1	CLUTCH KIT, CMS250
7	602680	1	FW .453X1.12X.12 HRD ZN
8	785048	1	CS .437-20X3.00 HXG5 P85
9	034272	2	NT .312-18HXG5
10	768523	4	FW 0.343SAE
11	113347	1	CLUTCH ANCHOR
12	036236	2	CS .312-18X1.000HXG5
13	083196	4	SS .312-18X0.750SQ
14	602754	2	PULLEY 7.35 OPx0.875SHFT
15	210146	2	KEY 1/4 SQ X 1.12 LONG
16	767954	2	FW 0.379X.82X.06 HD ZN
17	054502	2	NT .375-16HXG5
18	025007	1	CS .62511X1.750HXG5
19	603783	1	PULLEY, 6" FLAT IDLER
20	602880	1	BUSHING, IDLER PIVOT
21	115536	1	TENSIONER
22	602879	1	BUSHING, IDLER PIVOT
23	767962	1	FW .531 x 1.063 x .175
24	781567	1	NT .500-13NLG5
25	015495	1	GREASE FITTING STRAIGHT
26	601016	1	IDLER SPRING
27	601486	1	EB, .375-16X3.00 FULTHD
28	604208	1	DRIVE BELT
<p>Comments for Part Num. 604208</p> <p>Belt design was a COG belt but has been changed to a smooth V-belt.</p>			

Comments for Page: Pump Drive, Drive Belt & Clutch

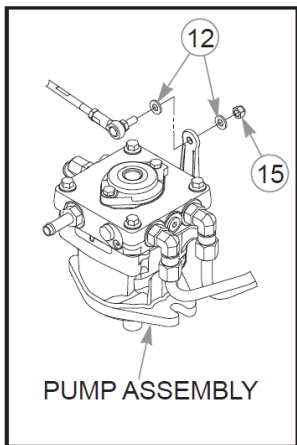
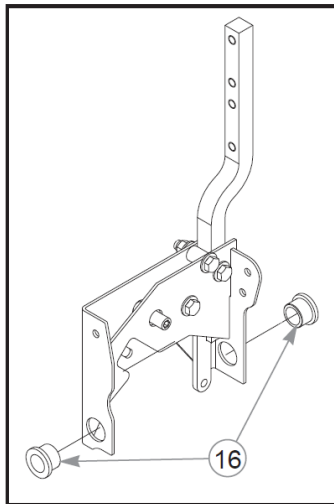
Pump Drive, Drive Belt & Clutch

1. Torque to 45–48 ft-lbs. Replace (do not reuse) the cap screw if it is removed or loosened. Use only hand tools to install this fastener.
2. Torque to 12–15 ft-lbs.
3. Torque to 71–75 ft-lbs. The tensioner should pivot freely.

This page intentionally left blank



RIGHT SIDE SHOWN
LEFT SIDE SIMILAR

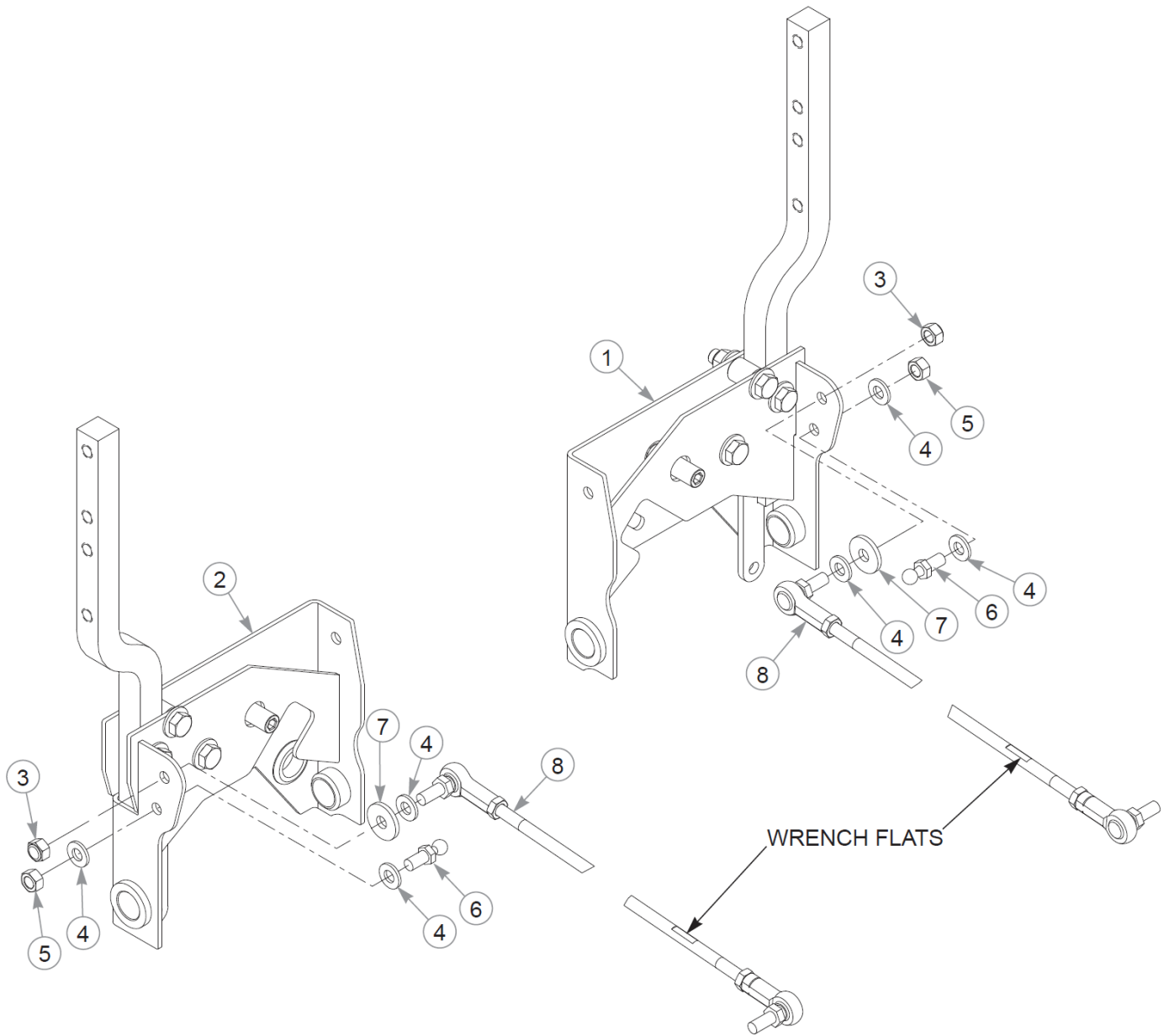


Steering

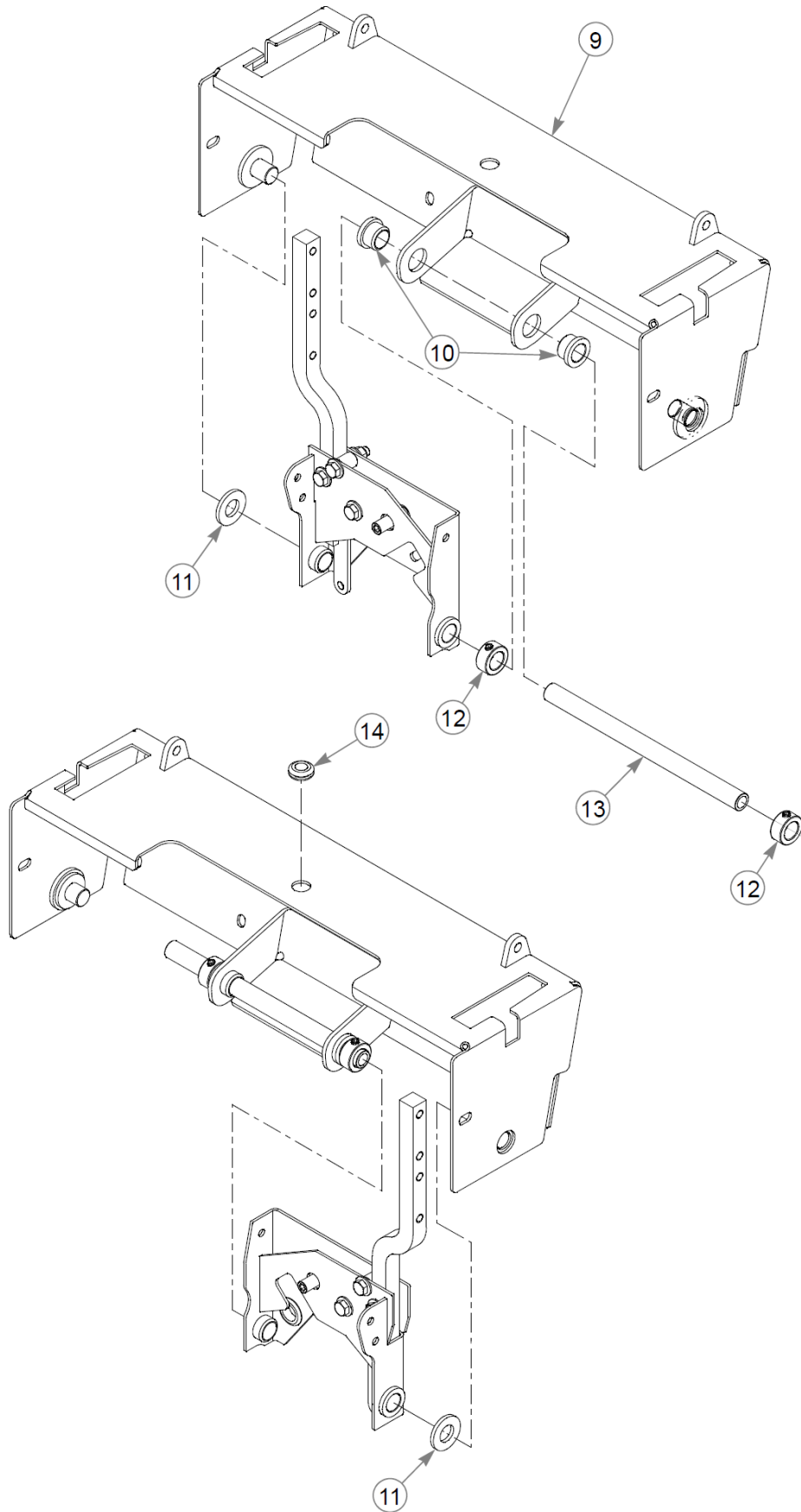
Item	Part No.	Qty	Name
1	N/A	1	REFER TO "STEERING COVER ASSEMBLY"
2	608127	1	DECAL, USA, F&D
3	608099	1	DECAL, SUPER Z
4	605924	2	STEERING BAR W/A
Not Shown	781260	2	GRIP, STEERING BAR
5	036244	4	CS .375-16X1.00 HX G5 ZN
6	767954	8	FW 0.379X.82X.06 HD ZN
7	016899	4	NT .375-16 FLKG5
8	055822	4	CS .375-16X0.75 HX G5 ZN
9	601087	2	SWITCH, PLUNGER N.O.
10	795351	2	DAMPER, CENTERING
11	781922	2	BALL STUD
12	768523	6	FW 0.343SAE
13	029876	2	LW .312 INTEXT ZN
14	016832	2	NT .312-18FLKG5
15	023655	2	NT 0.312-24 NL G8
16	608000	4	BUSHING

Comments for Page: Steering

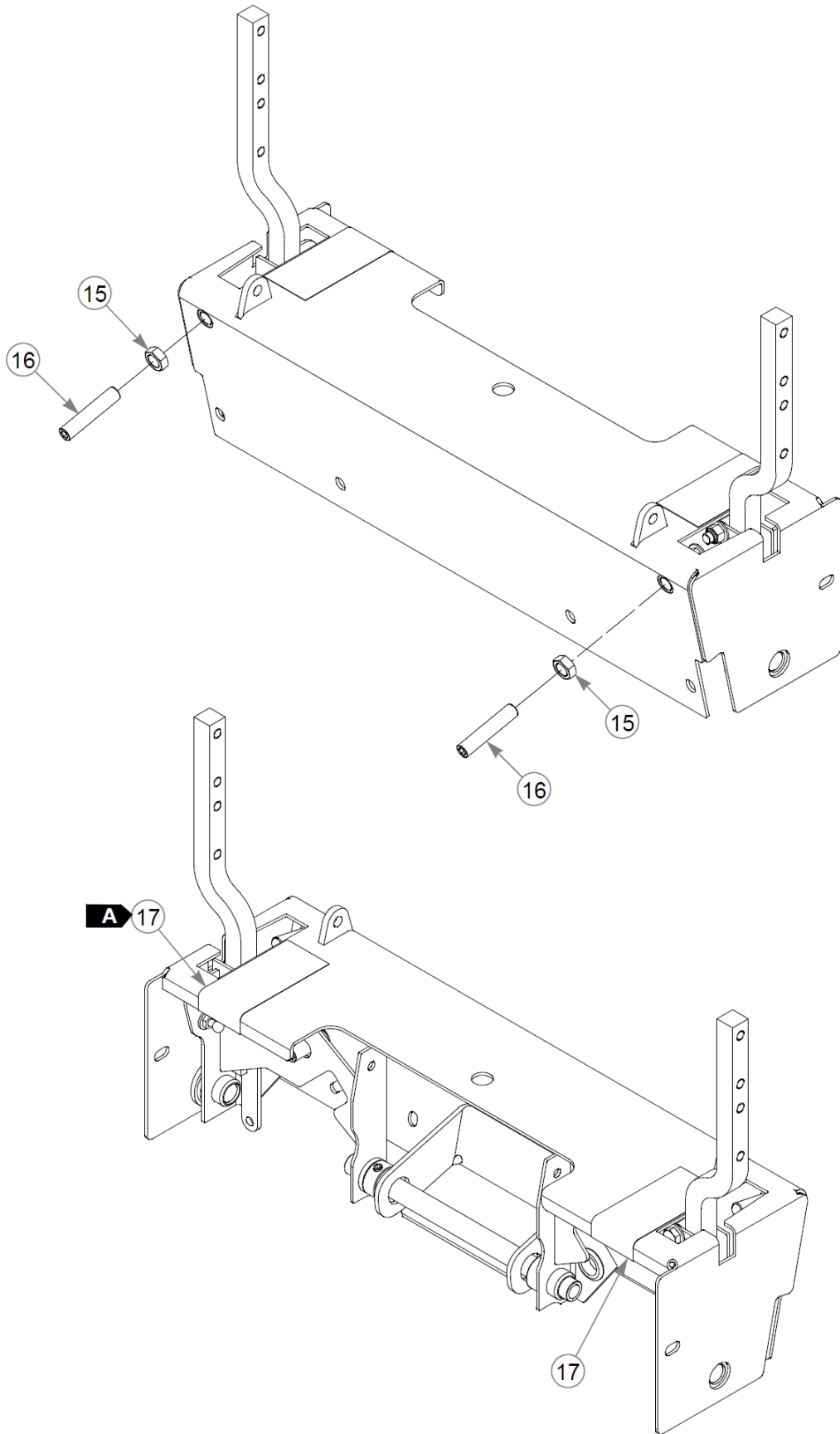
1. The steering bars include the grips.



This page intentionally left blank



This page intentionally left blank



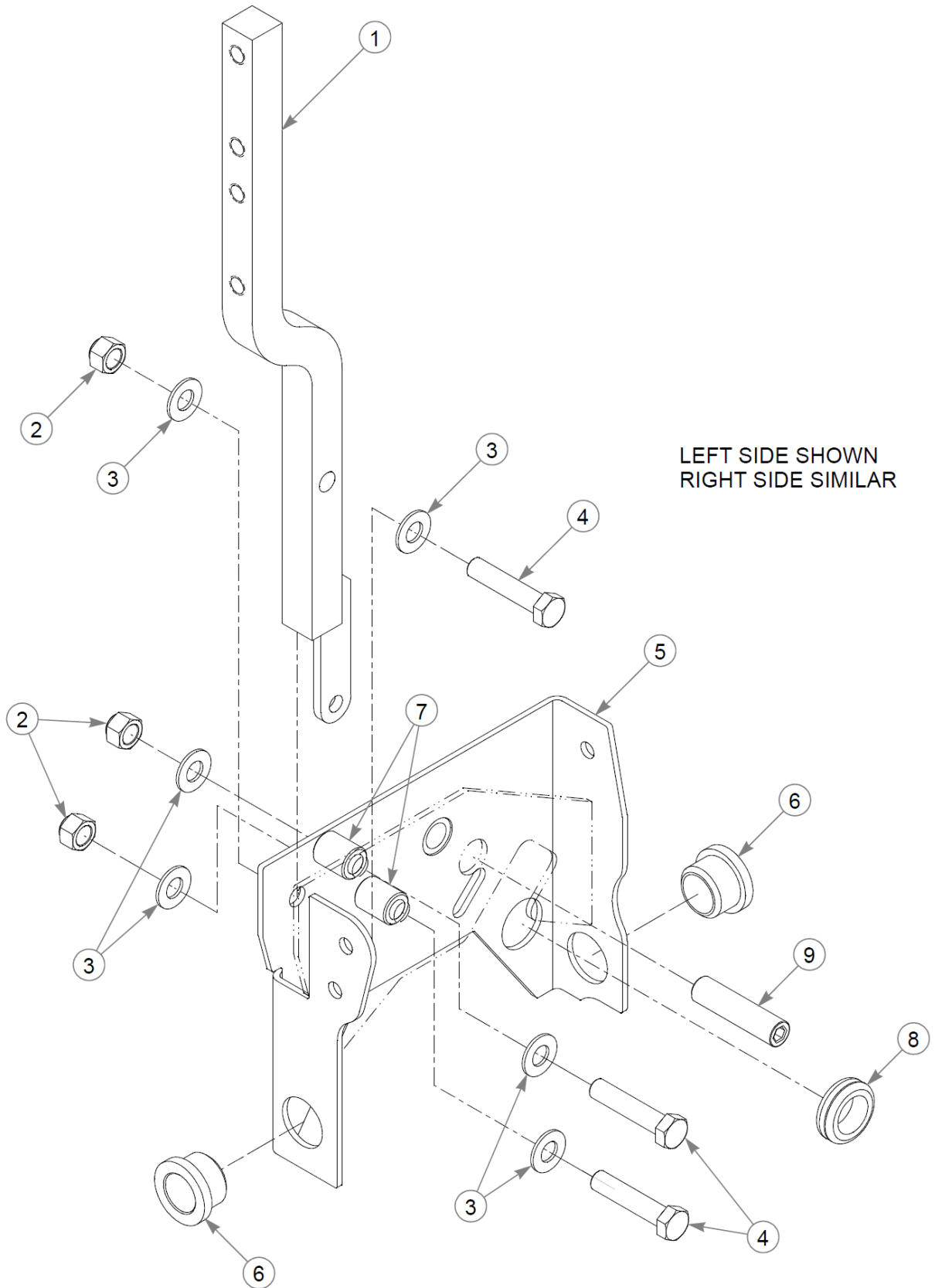
Steering Cover Assembly (Multi-Page)

Item	Part No.	Qty	Name
1	604297	1	STEERING BOX SUB, RH
2	604298	1	STEERING BOX SUB, LH
3	023655	2	NT 0.312-24 NL G8
4	768523	6	FW 0.343SAE
5	034272	2	NT .312-18HXG5
6	781922	2	BALL STUD
7	712927	2	FW 0.344X1.00X.12 HD ZN
8	781286	2	PUMP ROD ADJUSTER ASSY
9	550818	1	STEERING COVER, SERVICE
10	608000	2	BUSHING
11	603078	2	FW .750X1.50X.16 ZN
12	784439	2	LOCK COLLAR,0.757 ID(FS)
13	113007	1	STEER PIVOT TUBE, SZ
14	080358	1	GM .50X1.00X.75X.12
15	053199	2	NT .500-13JAMG5
16	603055	2	SS .500-13X 2.50 SH ZN
17	722199	11"	POLYURETHANE 2" (FS)

Comments for Page: Steering Cover Assembly (Multi-Page)

1. The steering cover includes the decal.WEAR TAPE LENGTHA: 5.5" ± 0.3"

Steering Box Breakdown

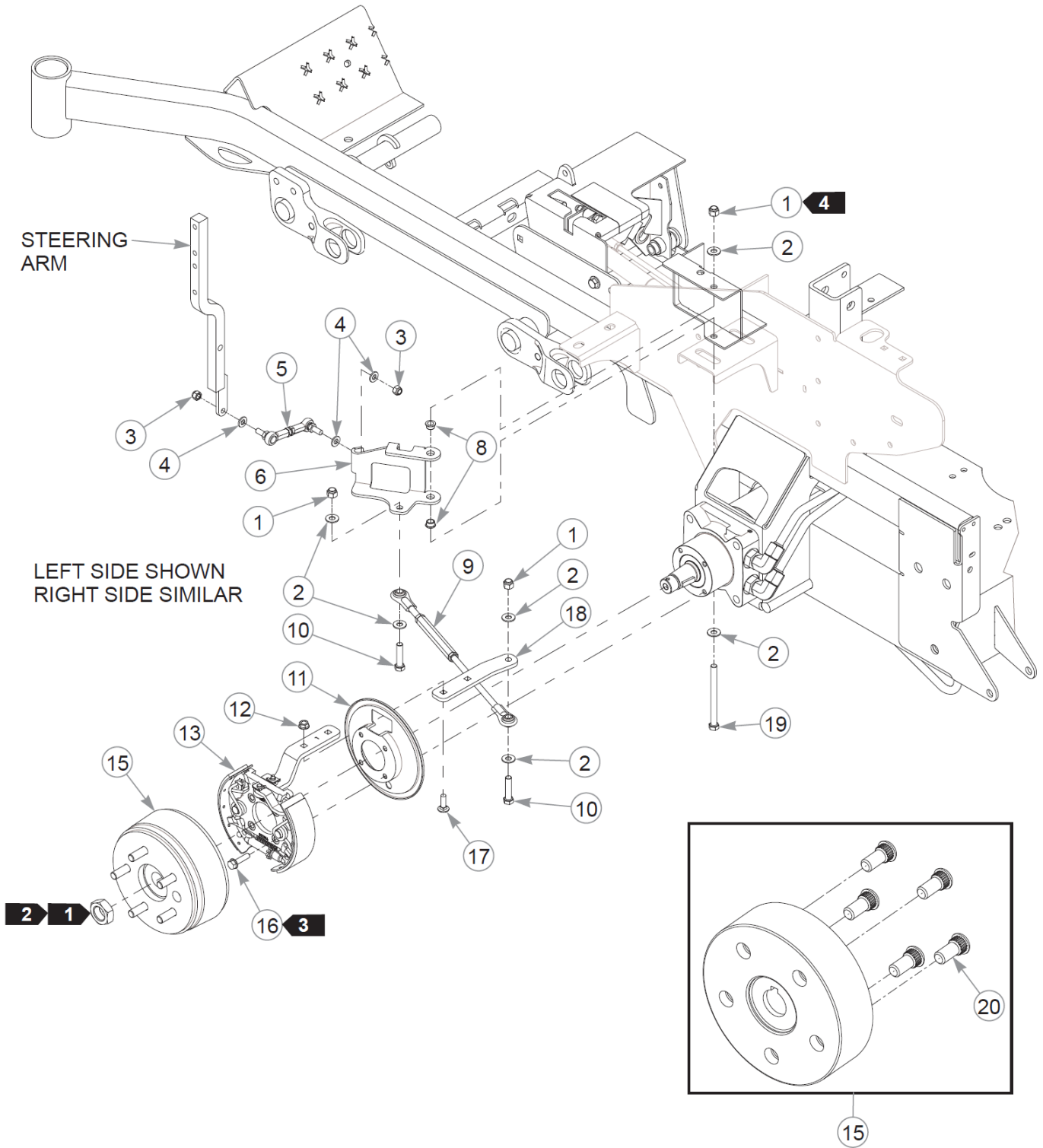


Steering Box Breakdown

Item	Part No.	Qty	Name
1	NSS	1	STEERING ARM W/A
2	086660	3	NT .375-16NLG8
3	767954	6	FW 0.379X.82X.06 HD ZN
4	705178	3	CS .375-16X1.750HXG5
5	112899	1	STEERING BOX W/A LH
Not Shown	112898	1	STEERING BOX W/A, RH
6	608000	2	BUSHING
7	348862	2	STEERLEVER BUSHING (PLA
8	047456	1	GM .750X.188X1.00X.12
9	797738	1	SS .500-13X2.000SH

Comments for Page: Steering Box Breakdown

1. Torque all hardware to 33 ft-lbs ± 10%.

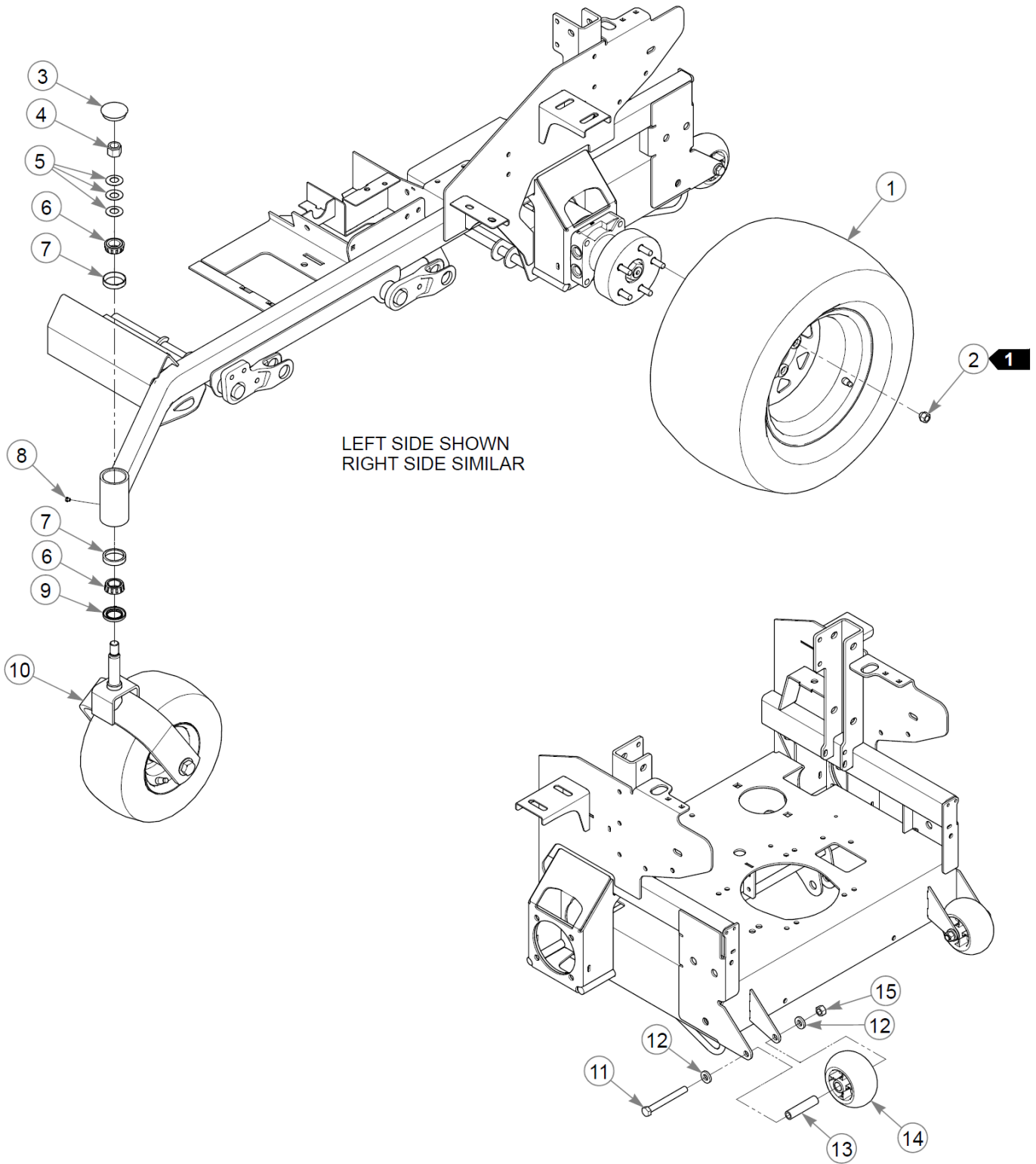


Brake

Item	Part No.	Qty	Name
1	086660	6	NT .375-16NLG8
2	767954	12	FW 0.379X.82X.06 HD ZN
3	023655	4	NT 0.312-24 NL G8
4	768523	6	FW 0.343SAE
5	781583	2	BRAKE ROD ASSEMBLY
6	126647-3	1	BELLCRANK, LH
7	126648-3	1	BELLCRANK, RH
8	765339	4	BUSHING,IGUS#0608 (FS)
9	350397	2	BRAKE LINK TURNBUCKLE A
10	705160	4	CS .375-16X1.625HXG5
11	607896	2	DUST SHIELD
12	016832	4	NT .312-18FLKG5
13	607894	1	BRAKE ASSY, LH
14	607895	1	BRAKE ASSY, RH
15	607893	2	DRUM HUB ASSEMBLY
16	607328	8	CS .312-18X1.25HXG8 FL
17	037887	4	CB .312-18X 1.000 FUL ZN
18	126349-3	2	EXTENSION, BRAKE ARM
19	052514	2	CS .375-16X4.500HXG5
20	606124	5	STUD 1/2-20 X 1 1/2"

Comments for Page: Brake

1. Included with the wheel motor.
2. Torque to 220–240 ft-lbs.
3. Torque to 27 ft-lbs. Replace (do not reuse) the cap screw if it is removed or loosened. Use only hand tools to install this fastener.
4. Do not torque; the nut should be snug, but allow the brake bellcrank to pivot freely.

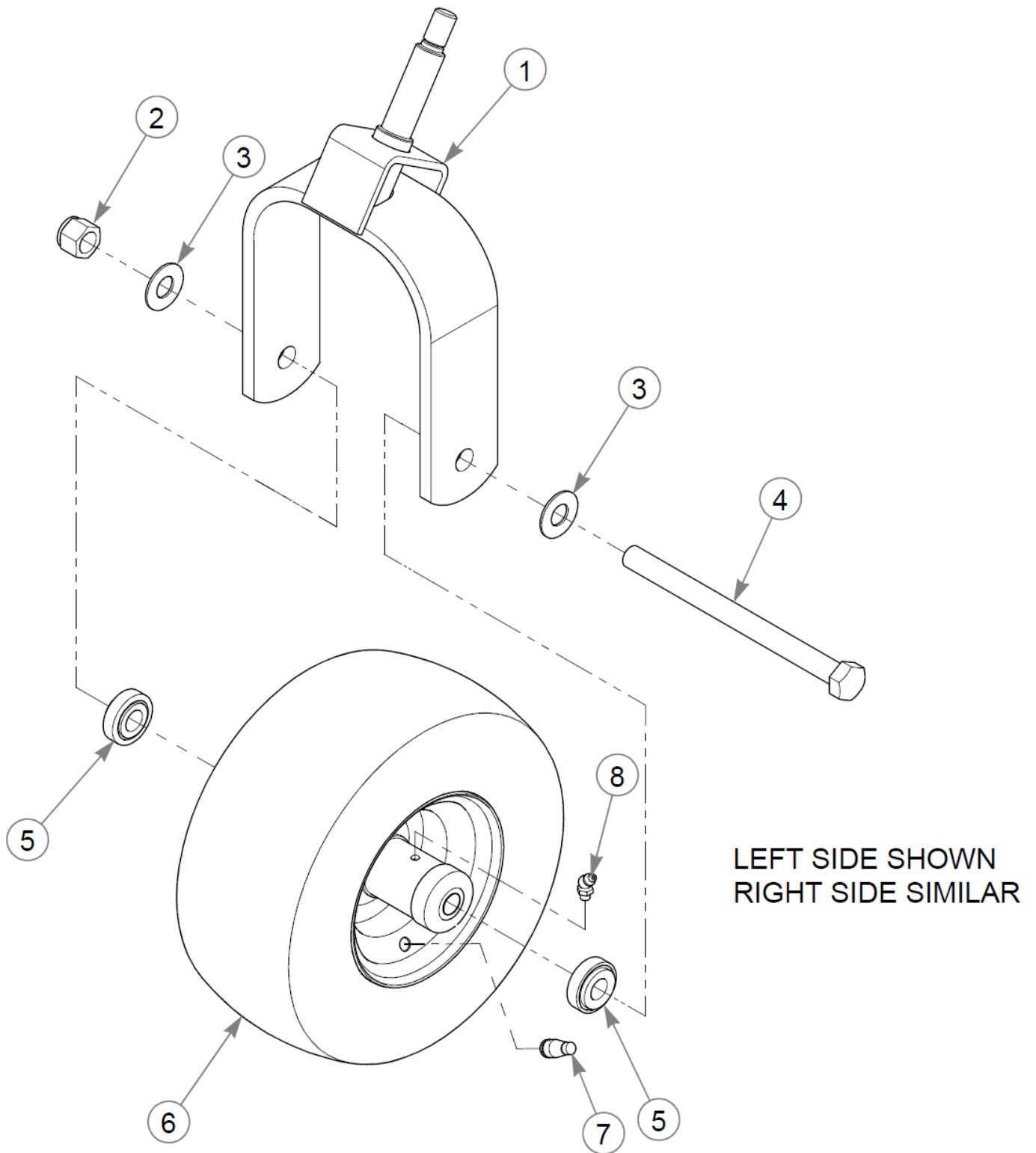


Wheels & Tires

Item	Part No.	Qty	Name
1	607535	2	TIR/WHL 24X12.00-12 BLK
2	061077	10	WHEEL NUT
3	606711	2	DUST CAP
4	061101	2	NT .750-10 HX ZN NL GR B
5	606715	6	CW 0.766 X 1.50 X .093
6	606712	4	BEARING, TAPERED ROLLER
7	606713	4	RACE, TAPERE ROLLER
8	606817	2	GREASE PLUG
9	606714	2	SEAL, 1.25 X 1.98
10	N/A	2	REFER TO "FRONT WHEEL ASSEMBLY"
11	068239	2	CS .500-13X4.500HXG5
12	767962	4	FW .531 x 1.063 x .175
13	602345	2	SPACER, ANTI-SCALP 3.22
14	602263	2	WHEEL, ANTI-SCALP
15	008193	2	NT .500-13HXG5

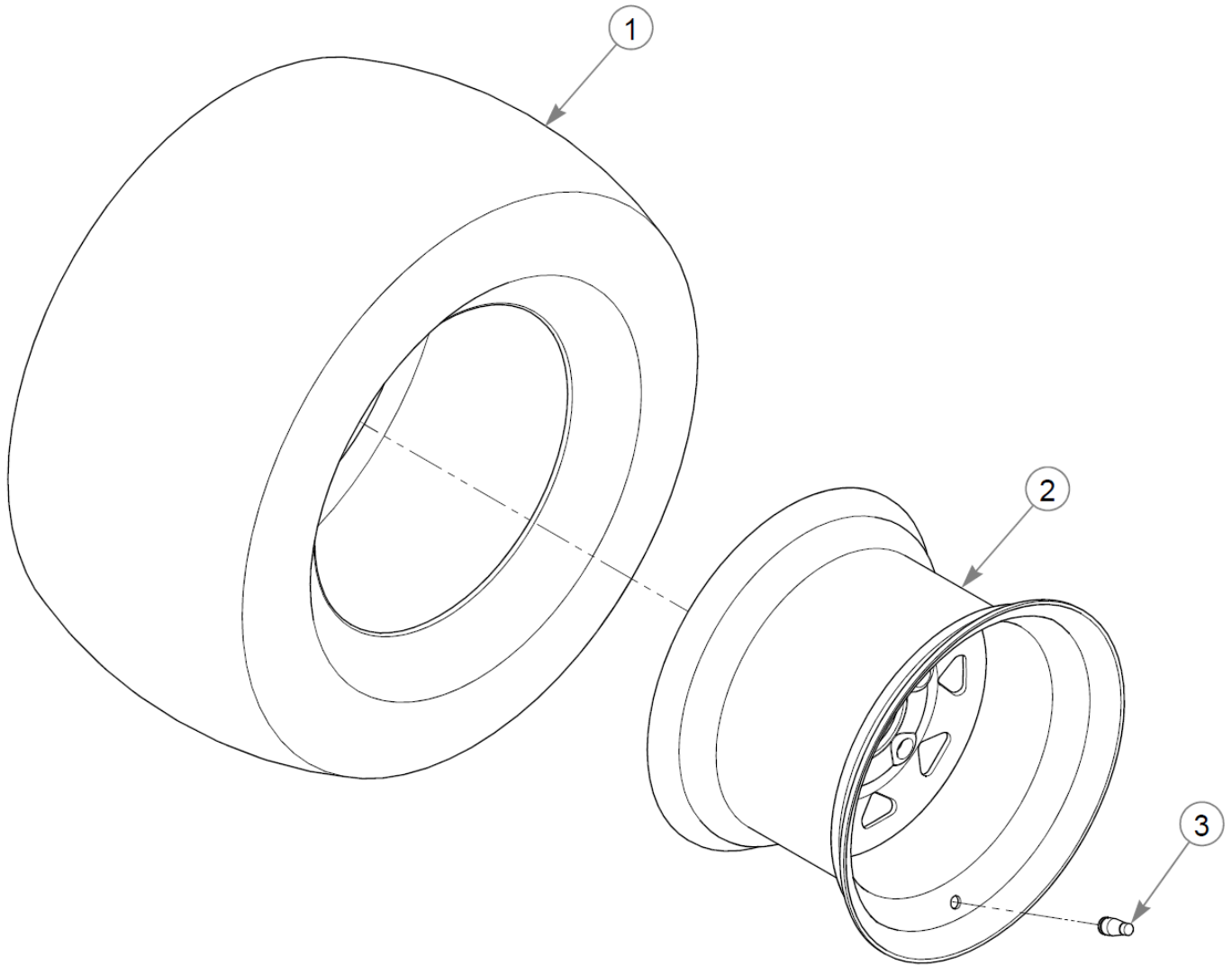
Comments for Page: Wheels & Tires

1. Torque to 65–75 ft-lbs.



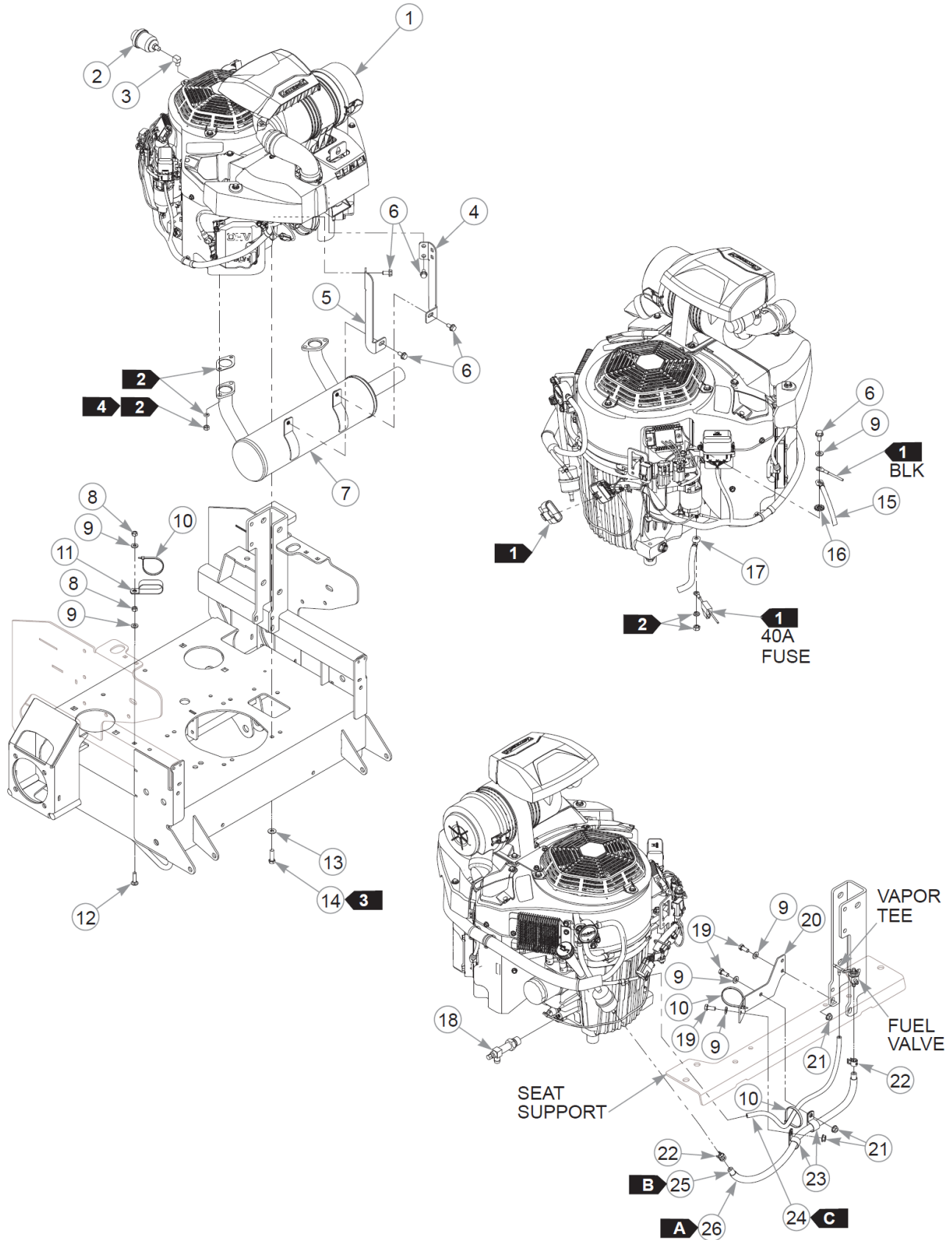
Front Wheel Assembly

Item	Part No.	Qty	Name
1	123644-1	1	W/A, CASTER FORK
2	061101	1	NT .750-10 HX ZN NL GR B
3	025296	2	FW .760X1.63X0.08 ZN
4	041475	1	CS .750-10X9.50 HX G5 ZN
5	606753	2	BEARING, TAPERED ROLLER
6	606745	1	TIR/WHL 13X6.50-6 BLK
7	019521	1	TIRE VALVE TR-412 GOODY
8	606126	1	GREASE FITTING, M8X1.0



Drive Wheel Assembly

Item	Part No.	Qty	Name
1	606967	1	TIR 24X12.00-12 B4R GRMR
2	607536	1	WHL 12X8.50 5X4.5 BLK
3	019521	1	TIRE VALVE TR-412 GOODY



Engine & Muffler

Item	Part No.	Qty	Name
1		1	ENGINE, FX1000V EFI
2	788943	1	AIR FILTER INDICATOR
3	601216	1	FTG, ELBOW, STREET
4	122504	1	BRACKET, MUFFLER RT
5	122505	1	BRACKET, MUFFLER LFT
6	720516	6	CS M8-1.25X16HX FL10.9
7	606040	1	MUFFLER, FX1000V
8	034272	2	NT .312-18HXG5
9	768523	7	FW 0.343SAE
10	000331	4	WIRE TIE, SMALL/SHORT
11	045088	1	HOSE CLAMP 1" (FS)
12	602827	1	CB .312-18X 1.250 ZN
13	767954	4	FW 0.379X.82X.06 HD ZN
14	602580	4	CS .375-16X1.25HXG8ZYP85
15	606440	1	BATTERY CABLE, NEGATIVE
16	029876	1	LW .312 INTEXT ZN
17	606439	1	BATTERY CABLE, POSITIVE
18	796524	1	VALVE,OIL DRAIN M20x2.5
19	034280	4	CS .312-18X0.750HXG5
20	126499-1	1	HOSE GUIDE
21	016832	4	NT .312-18FLKG5
22	000323	2	CLIP, HOSE CLAMP
23	043570	2	CLIP - HOSE - SINGLE(FS)
24	603326	22"	VAPOR LINE, 3/16"
<p>Comments for Part Num. 603326</p> <p>Sold by the foot.</p>			
25	015818	23"	FUEL LINE, 1/4"
<p>Comments for Part Num. 015818</p> <p>Sold by the foot.</p>			
26	605215	21"	FUEL LINE THERMAL SHIELD
<p>Comments for Part Num. 605215</p> <p>Sold by the foot.</p>			

Engine & Muffler

Comments for Page: Engine & Muffler

1. Part of the wire harness.
2. Supplied with the engine.
3. Torque to 44 ft-lbs. Replace (do not reuse) the cap screw if it is removed or loosened. Use only hand tools to install this fastener.
4. Torque to 17 ft-lbs.

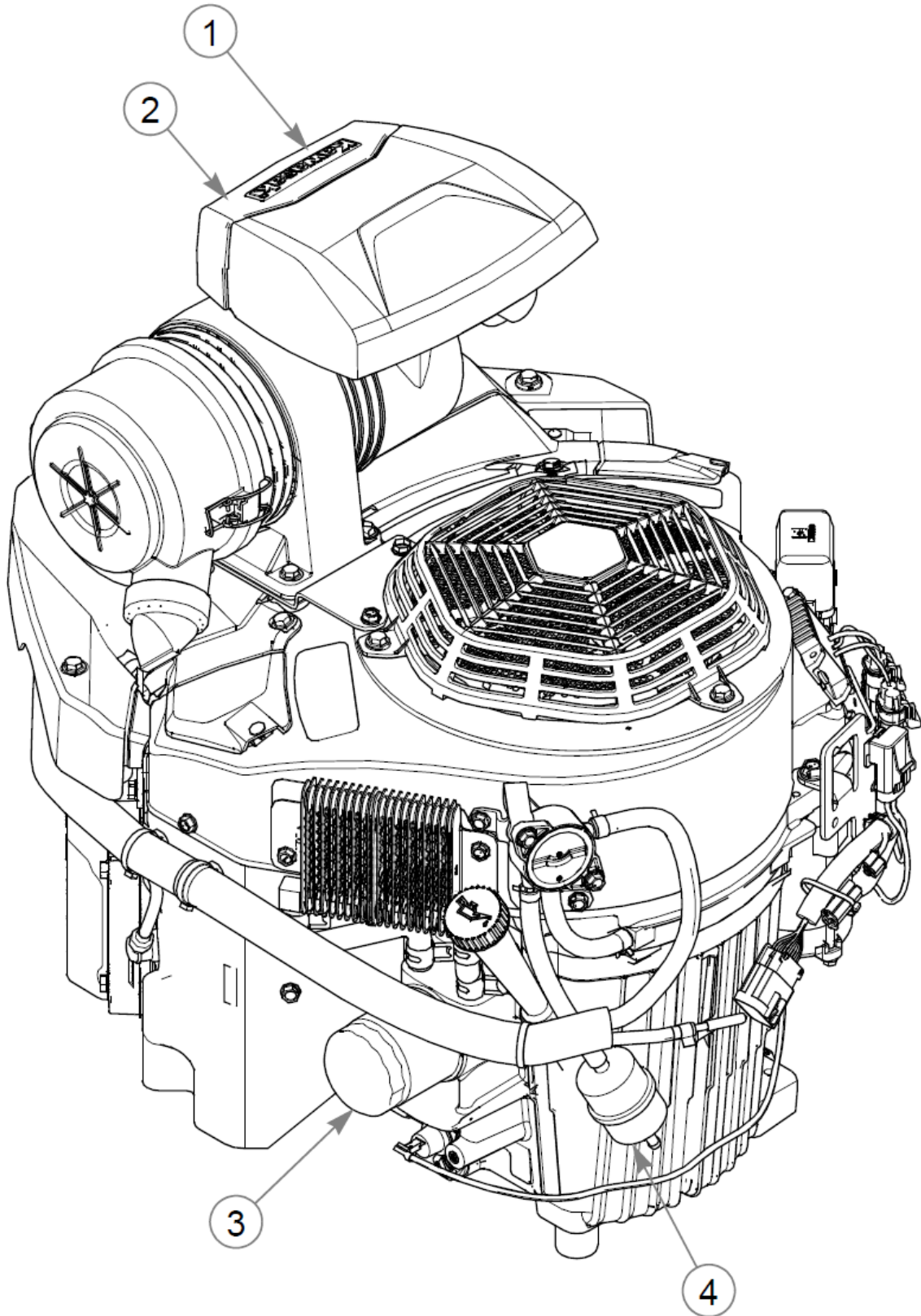
FUEL & VAPOR LINE LENGTHS

A: 21" FUEL LINE THERMAL SHIELD

B: 23" VALVE TO ENGINE (FUEL)

C: 22" TEE TO ENGINE (VAPOR)

This page intentionally left blank



Engine Service Parts - FX1000V EFI

Item	Part No.	Qty	Name
1	785261	1	AIR FILTER - MAIN
2	785279	1	AIR FILTER - SAFETY
3	603138	1	ENGINE OIL FILTER
4	604558	1	FILTER, KAWASAKI FUEL

Fuel System

Item	Part No.	Qty	Name
1	603807	2	CAP, 3.5" RATCHETING GAS
2	607876	1	FUEL TANK ASM, LH FENDER
3	607877	1	FUEL TANK ASM, RH FENDER
4	603326	74"	VAPOR LINE, 3/16"
Comments for Part Num. 603326 Sold by the foot.			
5	015818	67"	FUEL LINE, 1/4"
Comments for Part Num. 015818 Sold by the foot.			
6	000323	4	CLIP, HOSE CLAMP
7	605215	65"	FUEL LINE THERMAL SHIELD
Comments for Part Num. 605215 Sold by the foot.			
8	604281	2	TEE, 3/16" PLASTIC
9	745059	1	FUEL VALVE 3-WAY
10	604323	1	VAPOR SYSTEM FILTER
11	036236	3	CS .312-18X1.000HXG5
12	079210	3	FW 0.344X1.0X0.06 ZN
13	043570	3	CLIP - HOSE - SINGLE(FS)
14	016832	3	NT .312-18FLKG5
15	712919	10	FW 0.406X1.00X.12 HD ZN
16	055822	10	CS .375-16X0.75 HX G5 ZN
17	055947	4	CS .250-20X0.50 HX G5 ZN
18	768515	4	FW 0.281SAE
19	123182	1	COVER, FUEL LINES
20	123181	1	COVER, FUEL SENDER
21	000331	1	WIRE TIE, SMALL/SHORT

Comments for Page: Fuel System

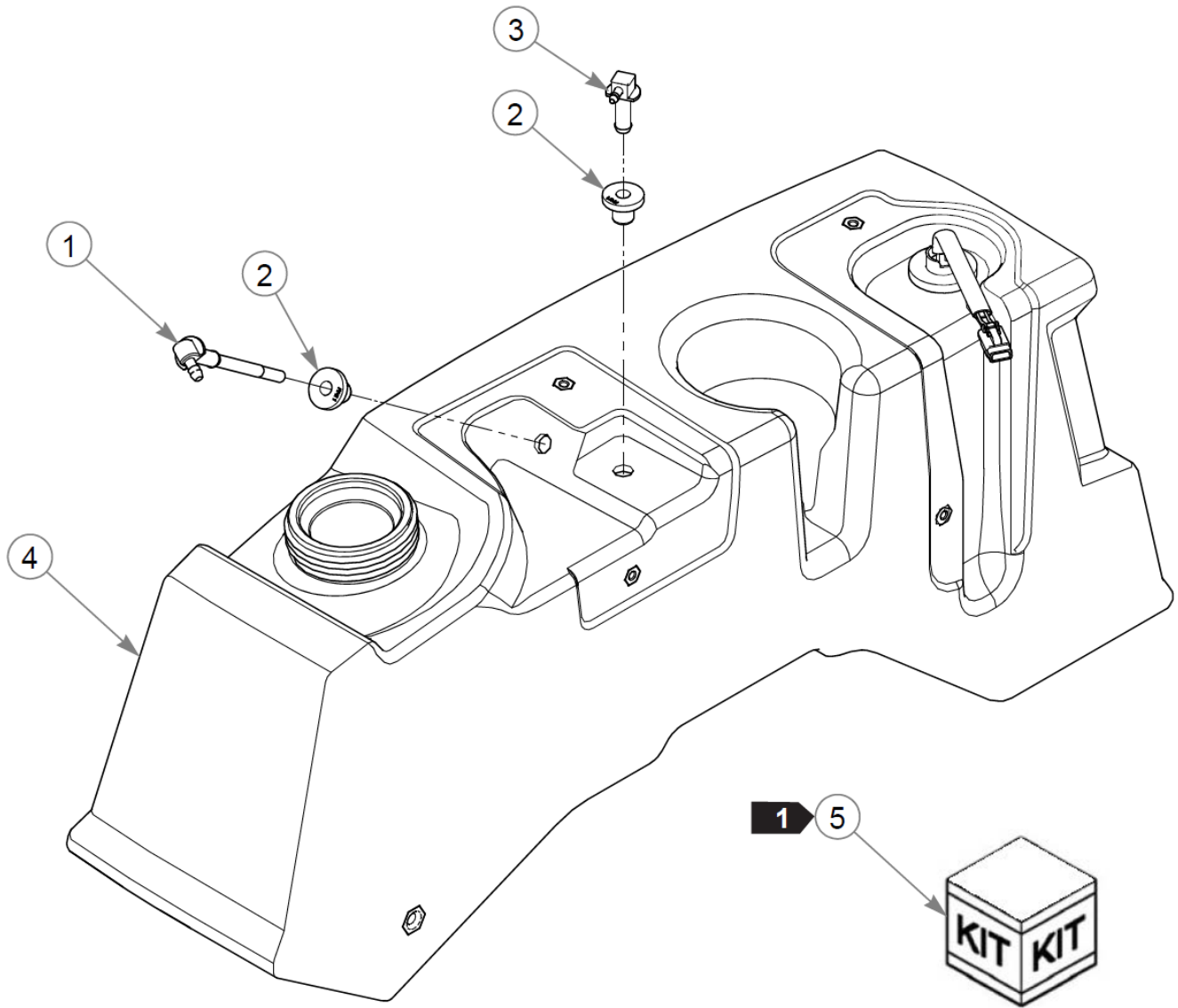
1. Torque to 16 ft-lbs.
2. Part of the wire harness.

FUEL & VAPOR LINE LENGTHS

Fuel System

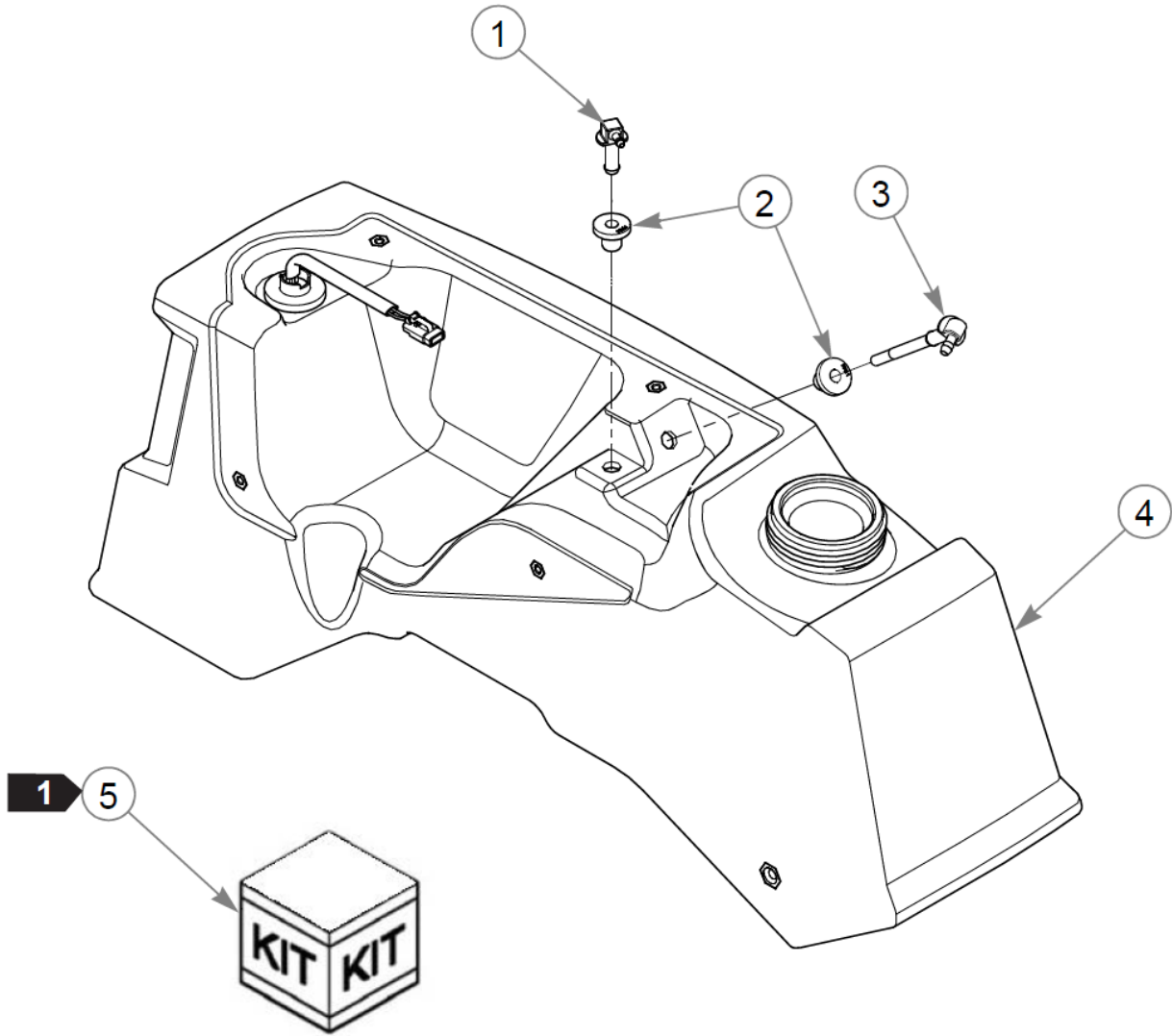
- A: 19" LEFT TANK TO TEE (VAPOR)
- B: 24" TEE TO TEE (VAPOR)
- C: 22" RIGHT TANK TO TEE (VAPOR)
- D: 9" TEE TO FILTER (VAPOR)
- E: 23" LEFT TANK TO VALVE (FUEL)
- F: 44" RIGHT TANK TO VALVE (FUEL)
- G: 22" FUEL LINE THERMAL SHIELD
- H: 43" FUEL LINE THERMAL SHIELD

This page intentionally left blank



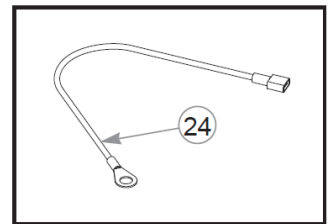
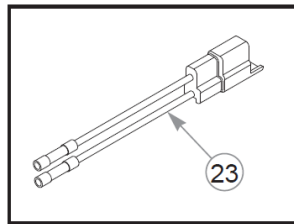
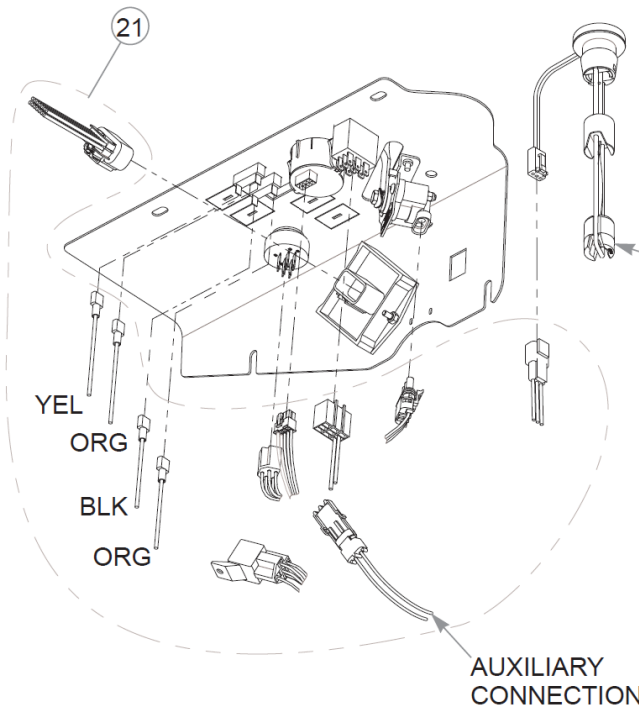
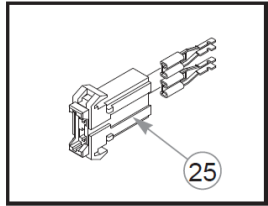
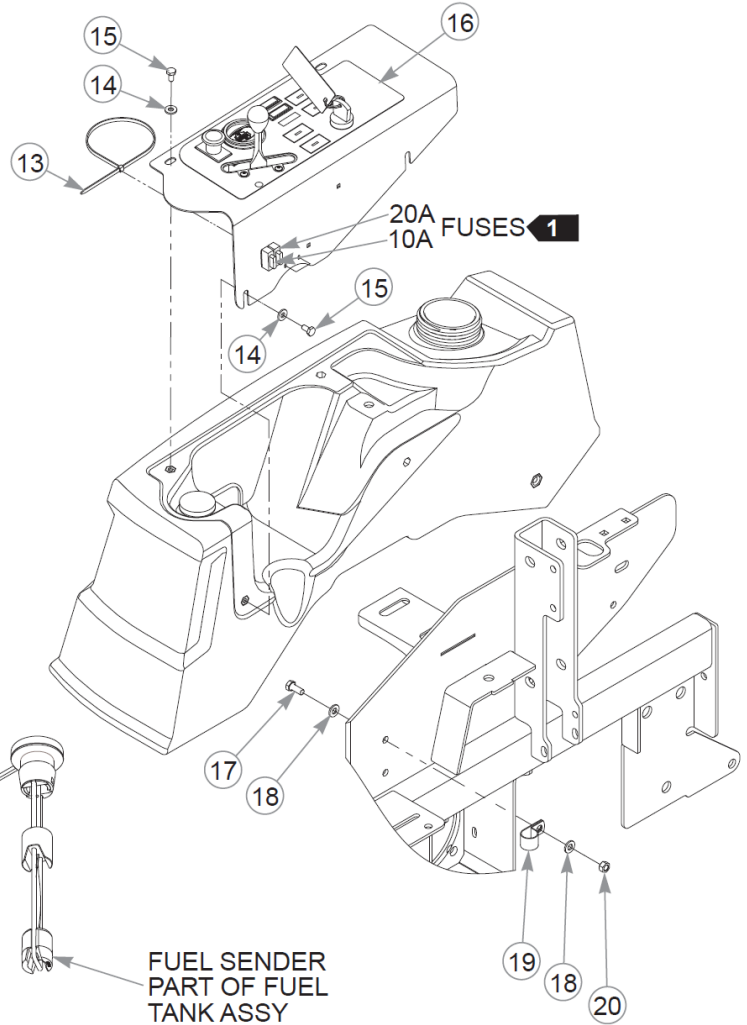
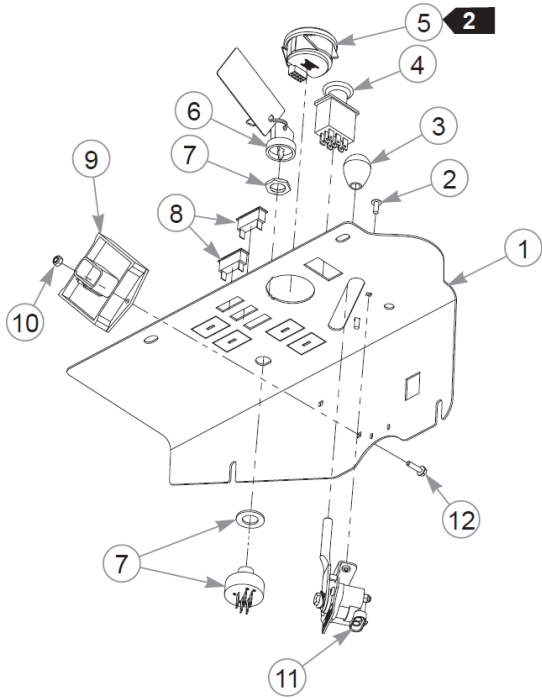
LS Fuel Tank Service Parts - 607876

Item	Part No.	Qty	Name
1	605159K	1	SUCTION HOSE SVC KIT
2	604200K	2	GROMMET SVC KIT
3	604287K	1	VENT FITTING SVC KIT
4	606434	1	TANK, FENDER LH
5	607456K	1	SENDER SVC KIT
Not Shown	608041	1	FUEL GAUGE & SENDER KIT



RS Fuel Tank Service Parts - 607877

Item	Part No.	Qty	Name
1	604287K	1	VENT FITTING SVC KIT
2	604200K	2	GROMMET SVC KIT
3	605159K	1	SUCTION HOSE SVC KIT
4	606433	1	TANK, FENDER RH
5	607456K	1	SENDER SVC KIT
Not Shown	608041	1	FUEL GAUGE & SENDER KIT

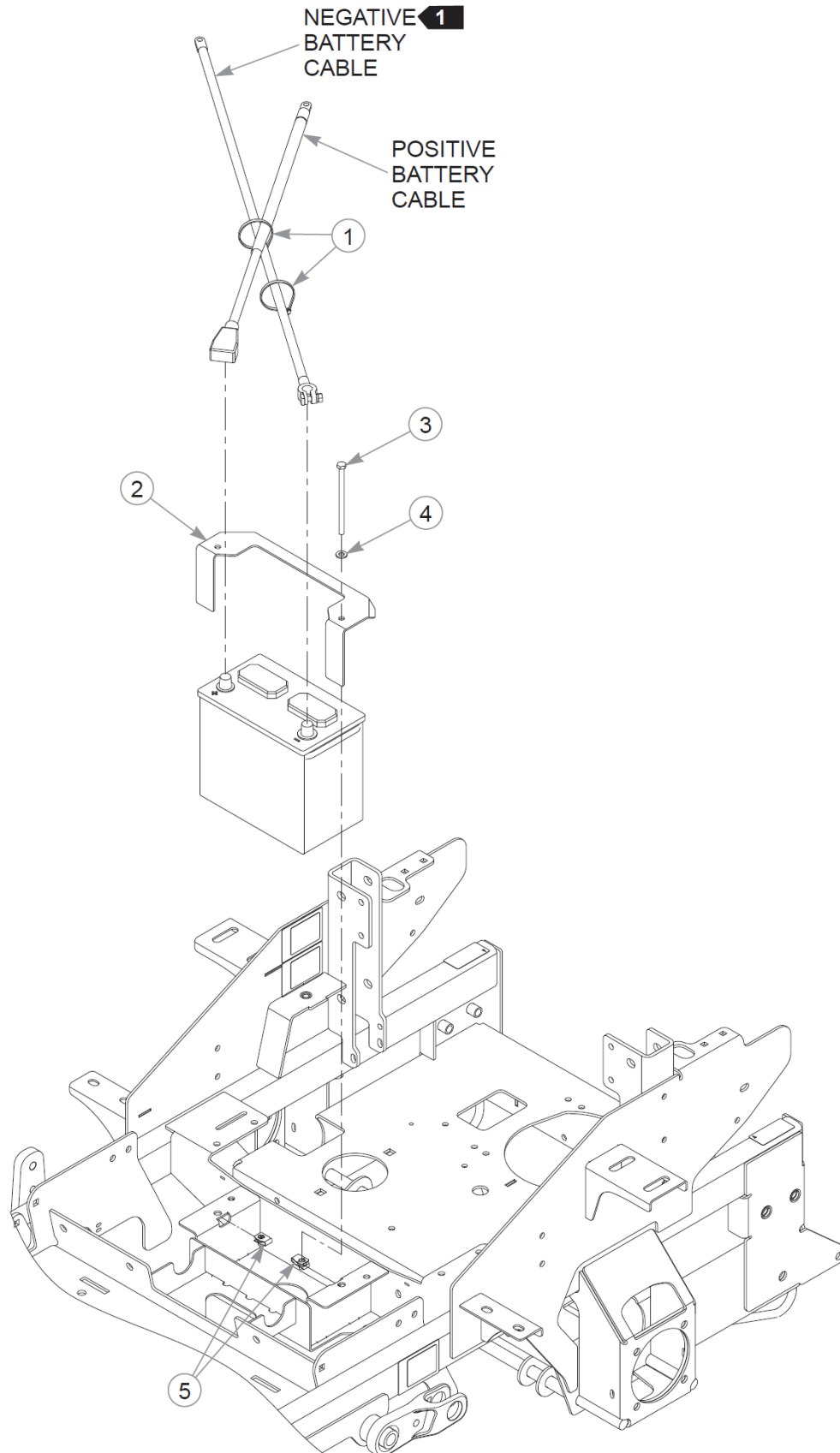


Instrument Panel & Wire Harness

Item	Part No.	Qty	Name
1	555786	1	SVC, INSTR PANEL
2	606851	2	CS 10-24X .500 PH SH ZN
3	603523	1	KNOB
4	776476	1	SWITCH, PTO 6201-321
5	607451	1	GAUGE, DUAL NEEDLE 12V
Not Shown	608041	1	FUEL GAUGE & SENDER KIT
6	785808	1	KEY ASSEMBLY
7	045898	1	IGNITION SWITCH
8	712257	2	INDICATOR LIGHT, RED(FS)
9	604373	1	RELAY CONTROL MODULE
10	059832	2	NT #10-24 HX NL ZN
11	606592	1	THROTTLE CONTROL, EFI
12	063198	2	CS #10-24X0.750FLKG5
13	000430	1	WIRE TIE, SMALL/LONG
14	768515	4	FW 0.281SAE
15	055947	4	CS .250-20X0.50 HX G5 ZN
16	606467	1	DECAL, INSTR PANEL
17	034280	1	CS .312-18X0.750HXG5
18	768523	2	FW 0.343SAE
19	043570	1	CLIP - HOSE - SINGLE(FS)
20	034272	1	NT .312-18HXG5
21	606652	1	HARNES, KAWI EFI
22	000331	4	WIRE TIE, SMALL/SHORT
23	114052	1	KIT, CLUTCH CONN. REP.
24	604430	1	WIRE HARNES
25	601047	1	HOLDER, FUSE

Comments for Page: Instrument Panel & Wire Harness

1. Part of the wire harness.
2. 607451 is used on mowers S/N 20070626 & HIGHER.
608041 is used on mowers S/N PRIOR TO 20070626.
3. The instrument panel includes the decal.

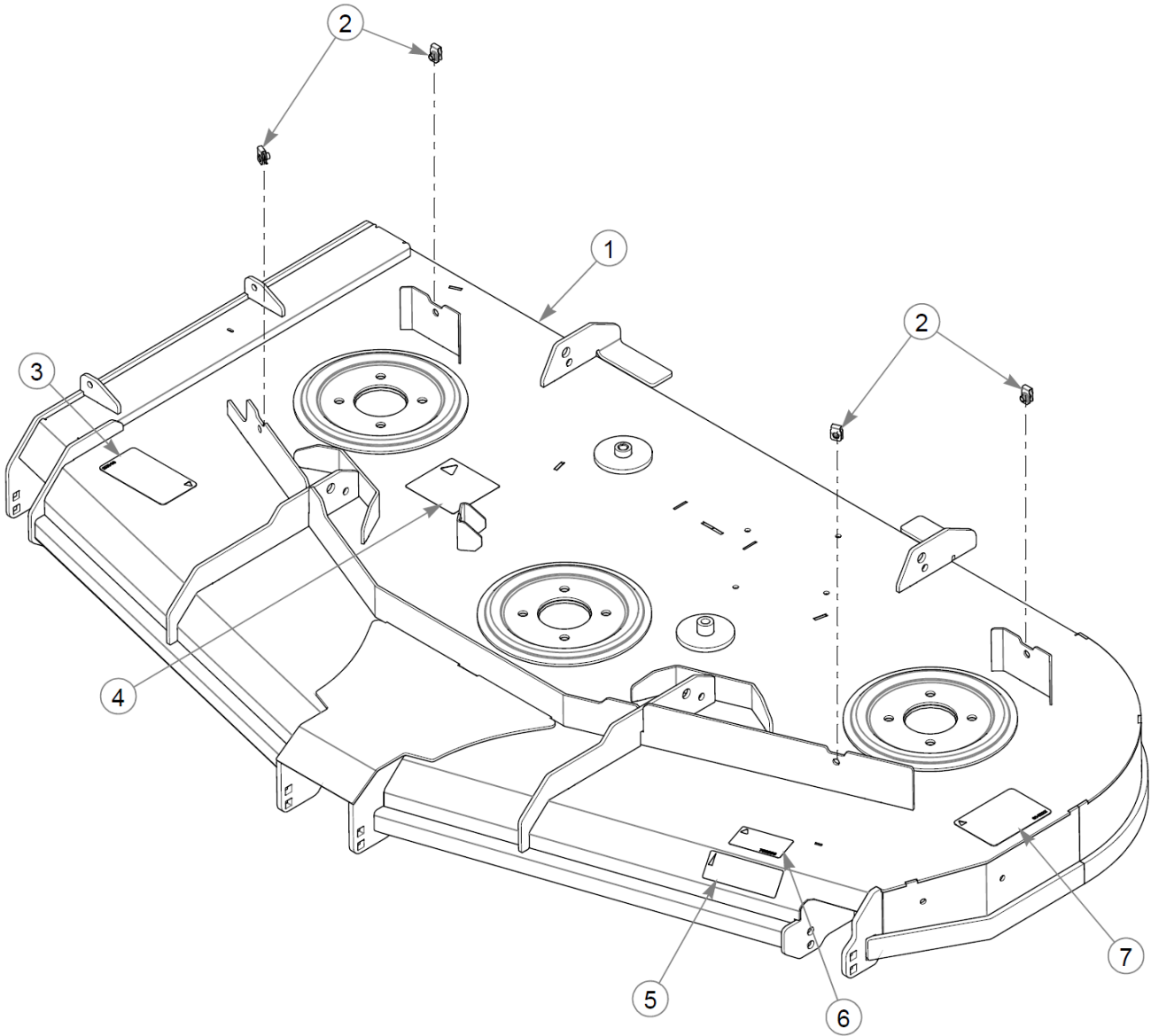


Battery

Item	Part No.	Qty	Name
1	000331	3	WIRE TIE, SMALL/SHORT
2	124387-1	1	BATTERY STRAP, SZ GRP 45
3	050823	2	CS .312-18X5.000HXG5
4	768523	2	FW 0.343SAE
5	601069	2	CN .312-18x.200 MAX THK

Comments for Page: Battery

1. When performing service on the mower, disconnect the negative battery cable and do not reconnect it to the battery until ready to start the engine.

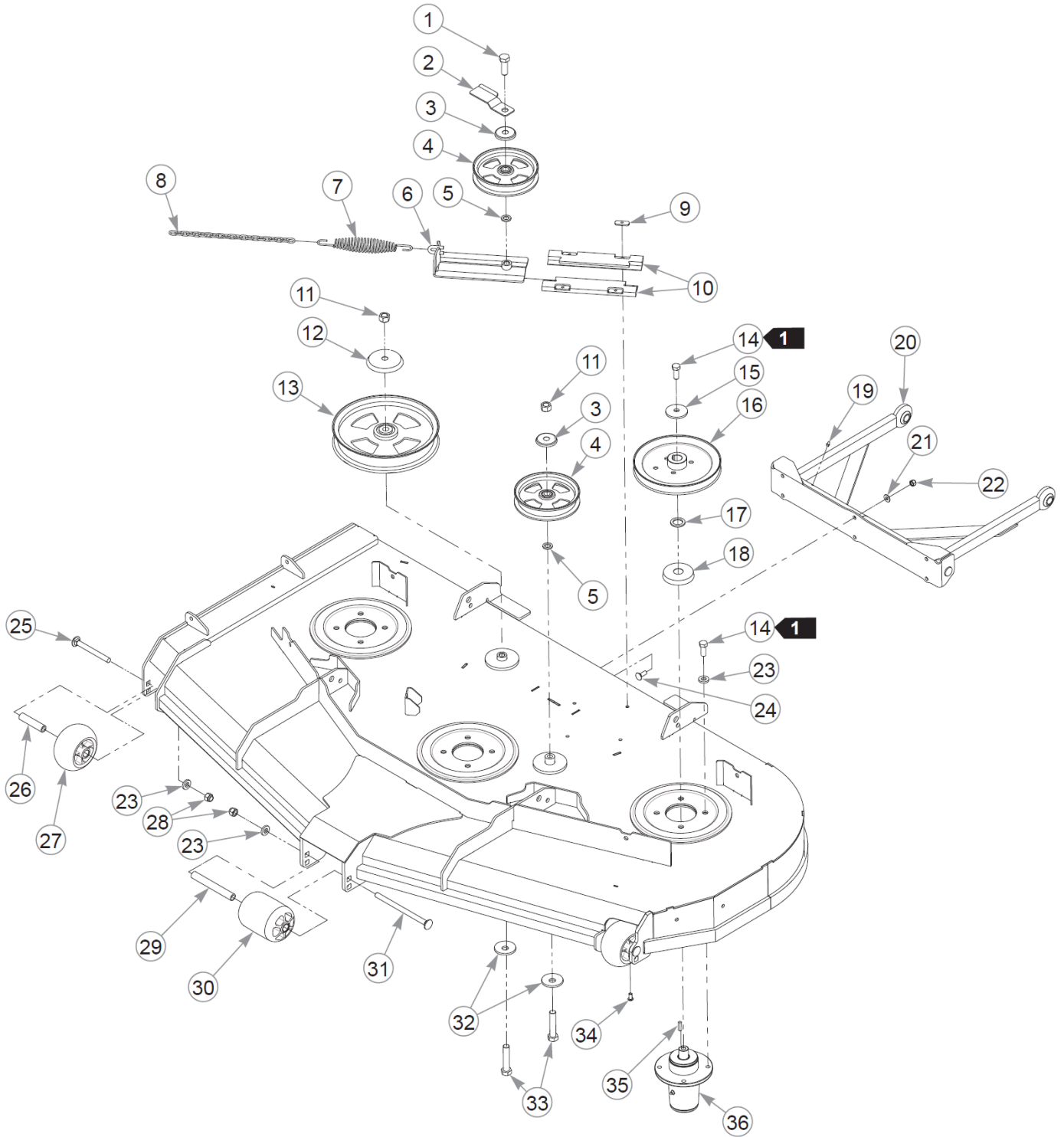


Service Deck

Item	Part No.	Qty	Name
1	554034	1	72" SERVICE DECK
2	601069	4	CN .312-18x.200 MAX THK
3	604221	1	DECAL, DANGER / CHUTE
4	781419	1	DECAL, BELT ROUTING
5	603092	1	DECAL, VX4 TECHNOLOGY
6	786285	1	DECAL, 72 DECK ID
7	604222	1	DECAL, DANGER / OBJECTS

Comments for Page: Service Deck

1. The deck includes decals and hardware.



Deck Pulleys & Spindles

72" Super Z Parts Manual - 941385 - HTHSZS072KAWFX1000VEFIA

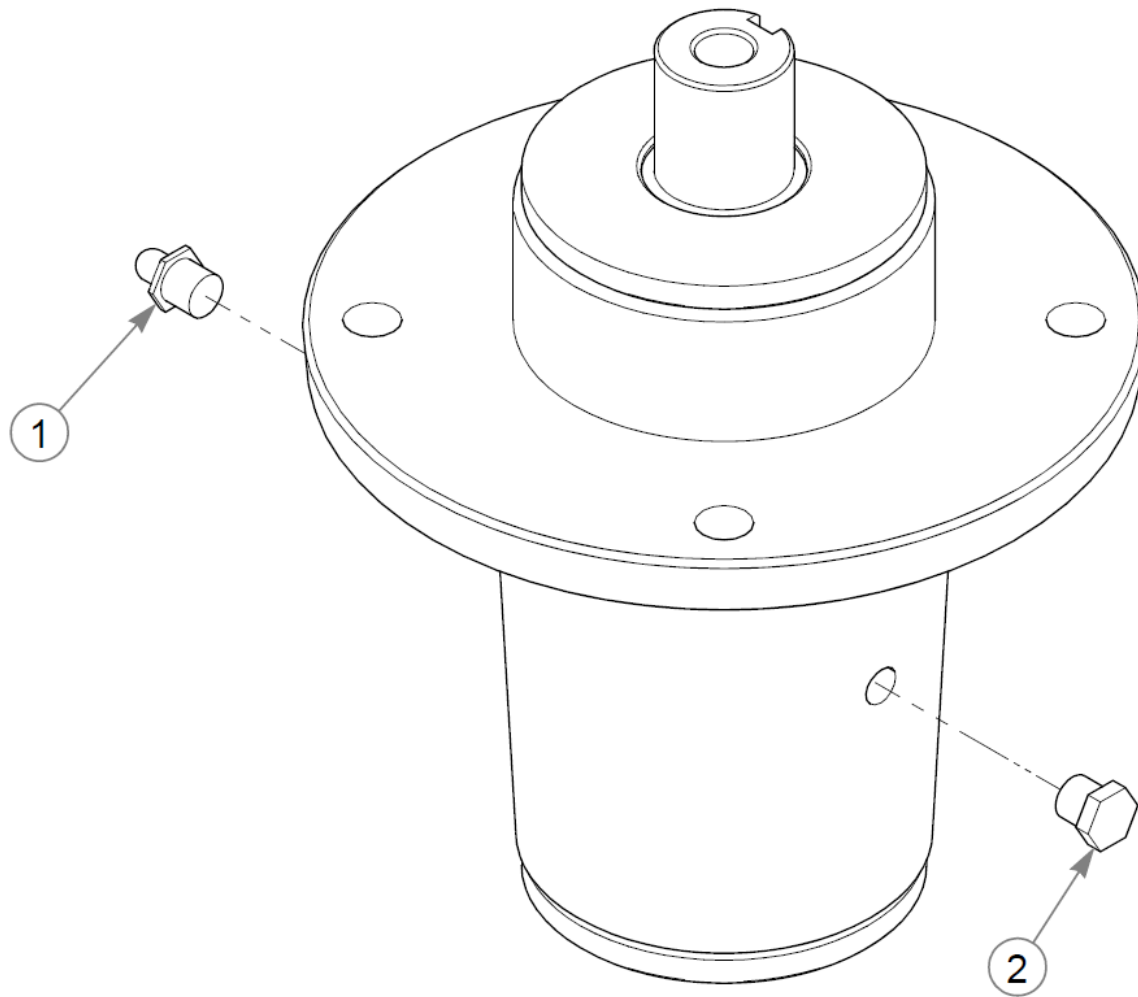
Item	Part No.	Qty	Name
1	025007	1	CS .62511X1.750HXG5
2	606460	1	GUIDE, BELT
3	608144	2	SHIELD, DUST
4	602821	2	IDLER, 6.0" COMMERCIAL
5	028118	2	FW 0.625X1.00X.13 ZN
6	350884	1	SLIDE, DECK IDLER
7	781302	1	IDLER SPRING
8	373191	1	CHAIN, 21 LINK
9	603023	4	WN .312-18 ZN
10	602936	2	IDLER SLIDE, UHMW
11	016972	2	NT .625-11 HX G5 ZN
12	602963	1	DUST SHIELD, IDLER LG
13	602743	1	IDLER, 10.0" COMMERCIAL
14	705954	15	CS .500-13X1.25 HX G5 ZN
15	752386	3	CW .515X 2.25X .204 BLK
16	602746	3	PULLEY, DRIVE 8.41 EFF
17	045765	3	FW 1.030X1.50X.13 HD ZN
18	607409-4	3	DUST SHIELD
19	015495	2	GREASE FITTING STRAIGHT
20	113340	1	PUSHER W/A, HZ/SZ
21	767954	6	FW 0.379X.82X.06 HD ZN
22	086660	6	NT .375-16NLG8
23	767962	15	FW .531 x 1.063 x .175
24	025395	6	CB .375-16X 1.00 G5 ZN
25	607288	2	CB .50-13X4.75 STD ZN
26	602345	2	SPACER, ANTI-SCALP 3.22
27	602263	2	WHEEL, ANTI-SCALP
28	781567	3	NT .500-13NLG5
29	602344	1	SPACER, ANTI- SCALP 5.73
30	602341	1	WHEEL, ANTI-SCALP
31	602338	1	CB .50-13 X 7.50 STD ZN
32	782474	2	CW .678 X 2.250 X .187
33	783738	2	CS .625-11X3.000HXG5
34	603022	4	CS .312-18X.625 BH ZN
35	212472	3	KEY 1/4 SQ X 1.00 LG(FS)
36	607407	3	SPINDLE ASSY, DUCTILE

Deck Pulleys & Spindles

Comments for Page: Deck Pulleys & Spindles

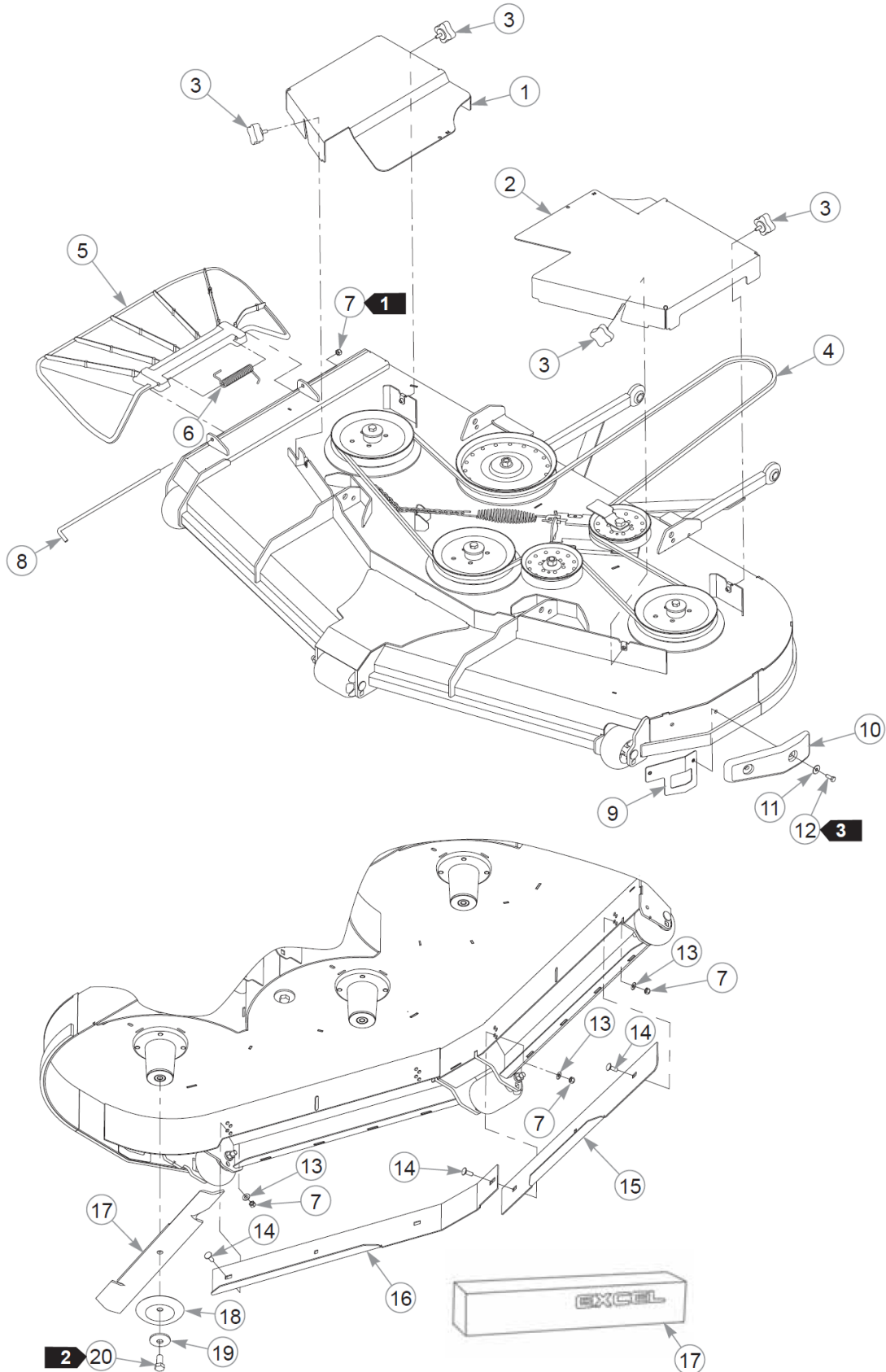
1. Torque to 67–75 ft-lbs.

This page intentionally left blank



Spindle Assembly Service Parts - 607407

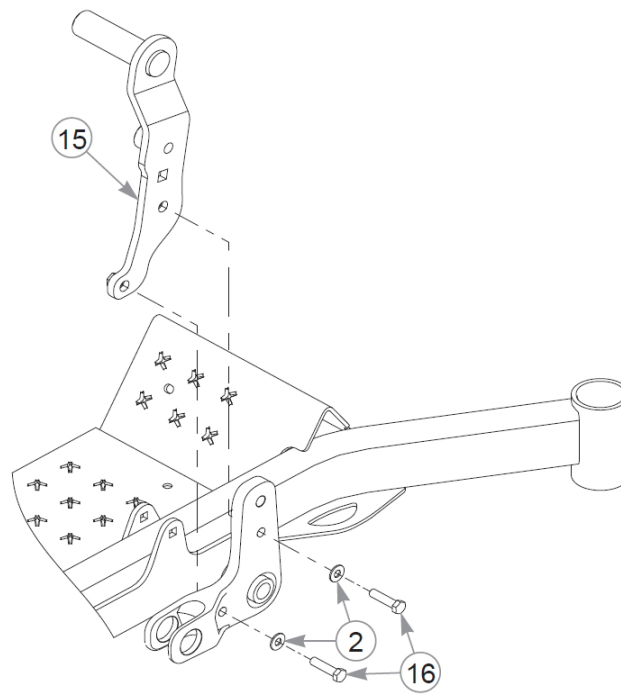
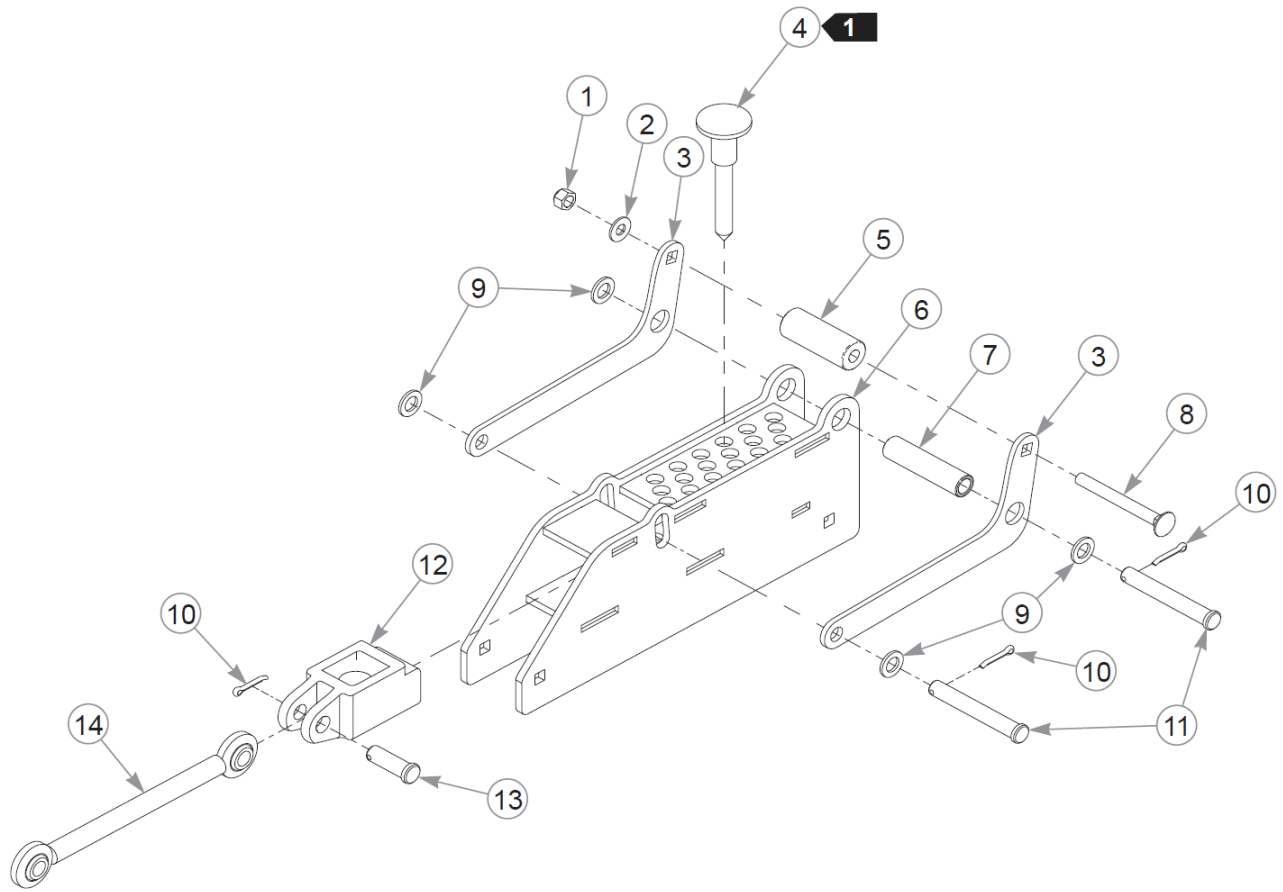
Item	Part No.	Qty	Name
1	607477	1	GREASE ZERK
2	607478	1	RELIEF FITTING



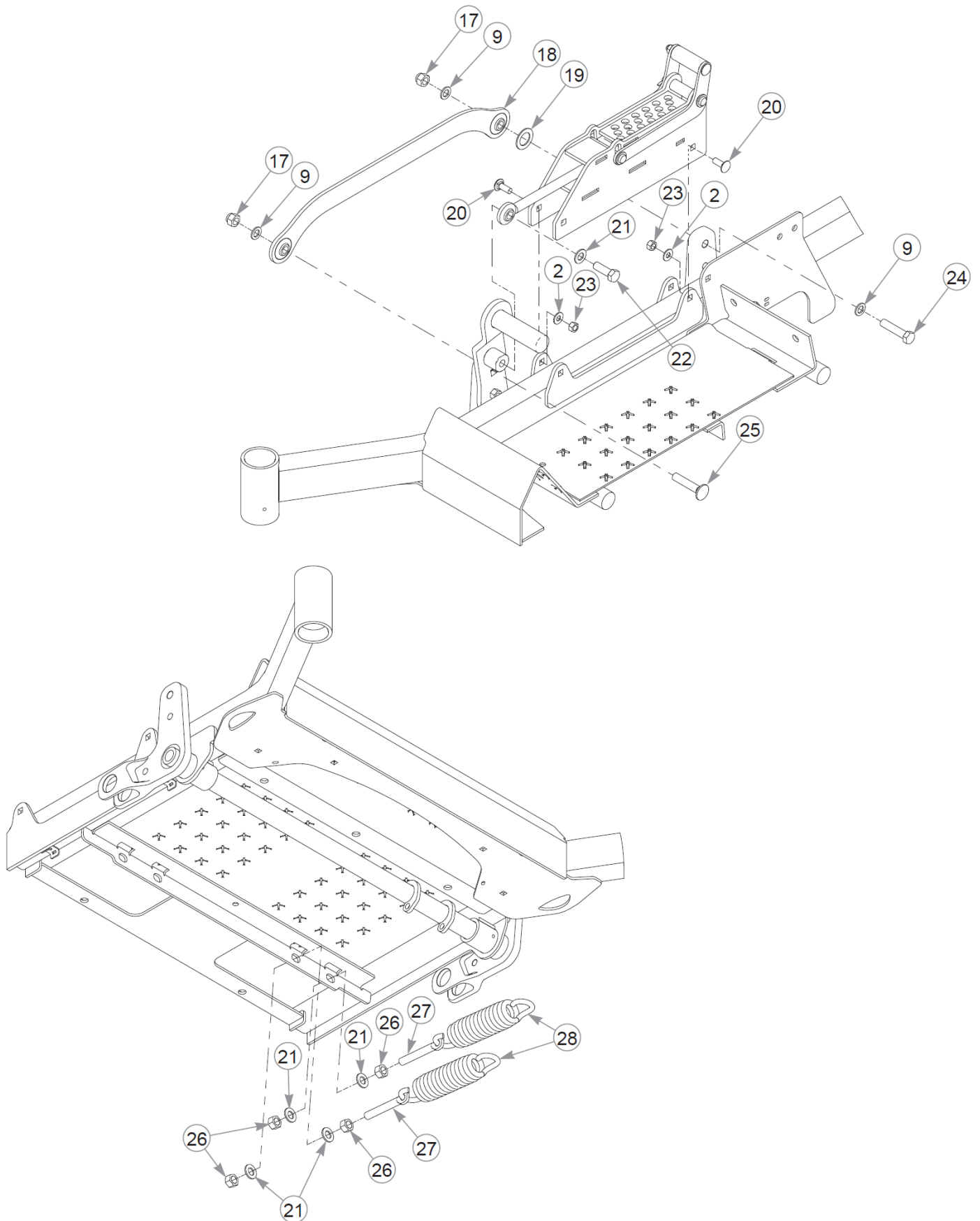
Item	Part No.	Qty	Name
1	123772-1	1	PULLEY COVER, RS 72"
2	123773-1	1	PULLEY COVER, LS 72"
3	792002	4	KNOB,5/16-18 X 3/4"MALE
4	606875	1	DECK BELT
5	602891	1	CHUTE, DISCHARGE LG
6	602435	1	SPRING, TORSION
7	086660	7	NT .375-16NLG8
8	602432	1	PIN, CHUTE
9	113563	1	BACKING PLATE W/A
10	602817	1	RUBBER BUMPER
11	079210	2	FW 0.344X1.0X0.06 ZN
12	064014	2	CS .312-18X0.875HXG5
13	767954	6	FW 0.379X.82X.06 HD ZN
14	025395	6	CB .375-16X 1.00 G5 ZN
15	123964-1	1	ADJ BAFFLE RS 72" VX4
16	123965-1	1	ADJ BAFFLE LS 72" VX4
17	602857	3	BLADE, F24.50" EHN-F-CW
Not Shown	602857X	1	6PK BLADE, F24.50" EHN-F
Not Shown	798702	3	BLADE, F24.50"-H-F-CW
Not Shown	798702X	1	10PK BLADE, F24.50"-H-F-
Not Shown	798710	3	BLADE, 24.50"-MUL-F-CW
Not Shown	798710X	1	10PK BLADE, 24.50"-MUL-F
Not Shown	798728	3	BLADE, 24.50"-GAT-F-CW
Not Shown	798728X	1	10PK BLADE, 24.50"-GAT-F
18	114988	1	SHIELD, BLADE BOLT
19	782474	3	CW .678 X 2.250 X .187
20	781872	3	CS .625-11X1.250HXG5

Comments for Page: Deck Belt, Discharge Chute, Pulley Covers & Blades

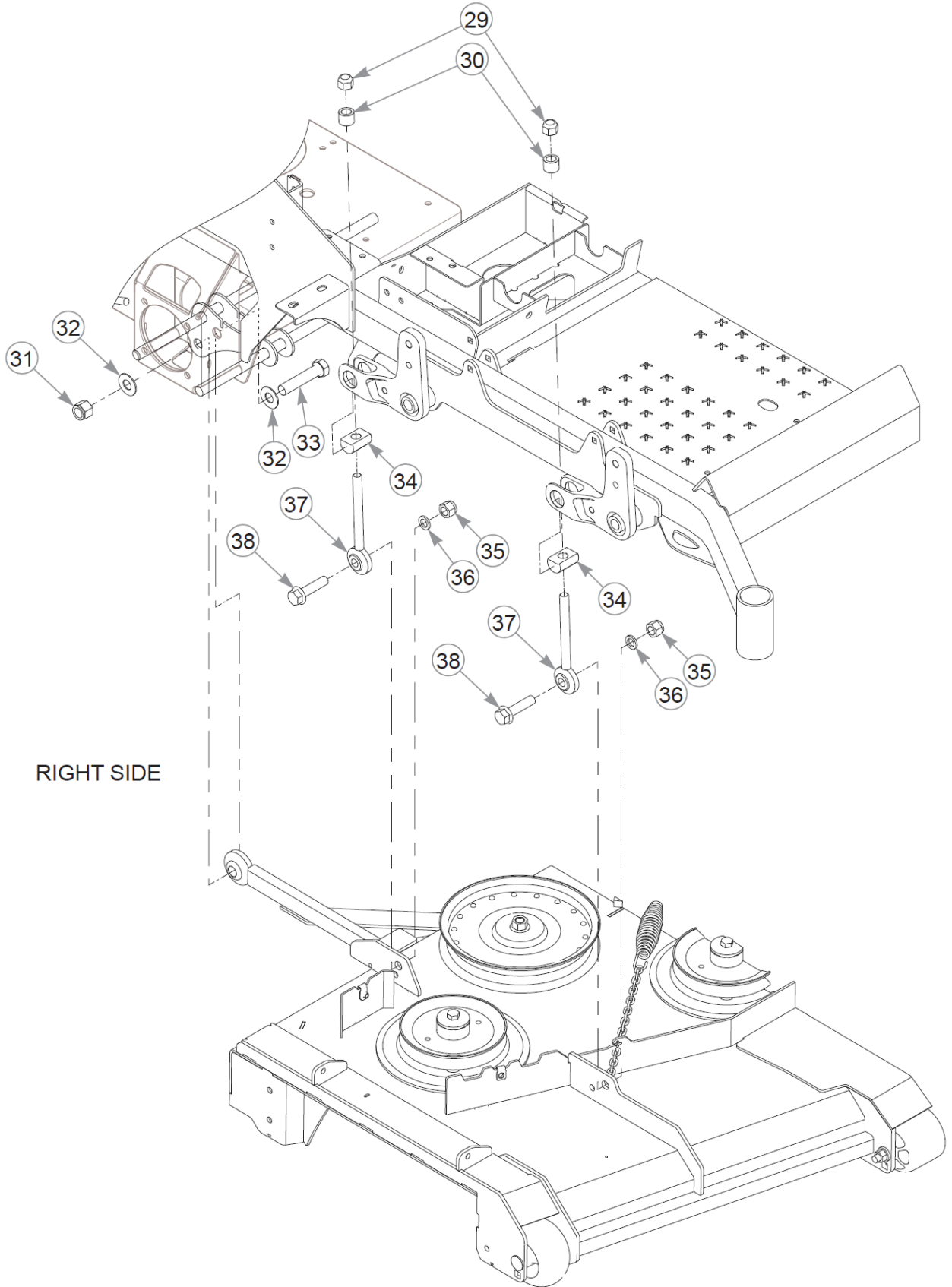
1. Do not torque; the discharge chute must pivot freely.
2. Torque to 118 ft-lbs.
3. Torque to 10 ft-lbs.



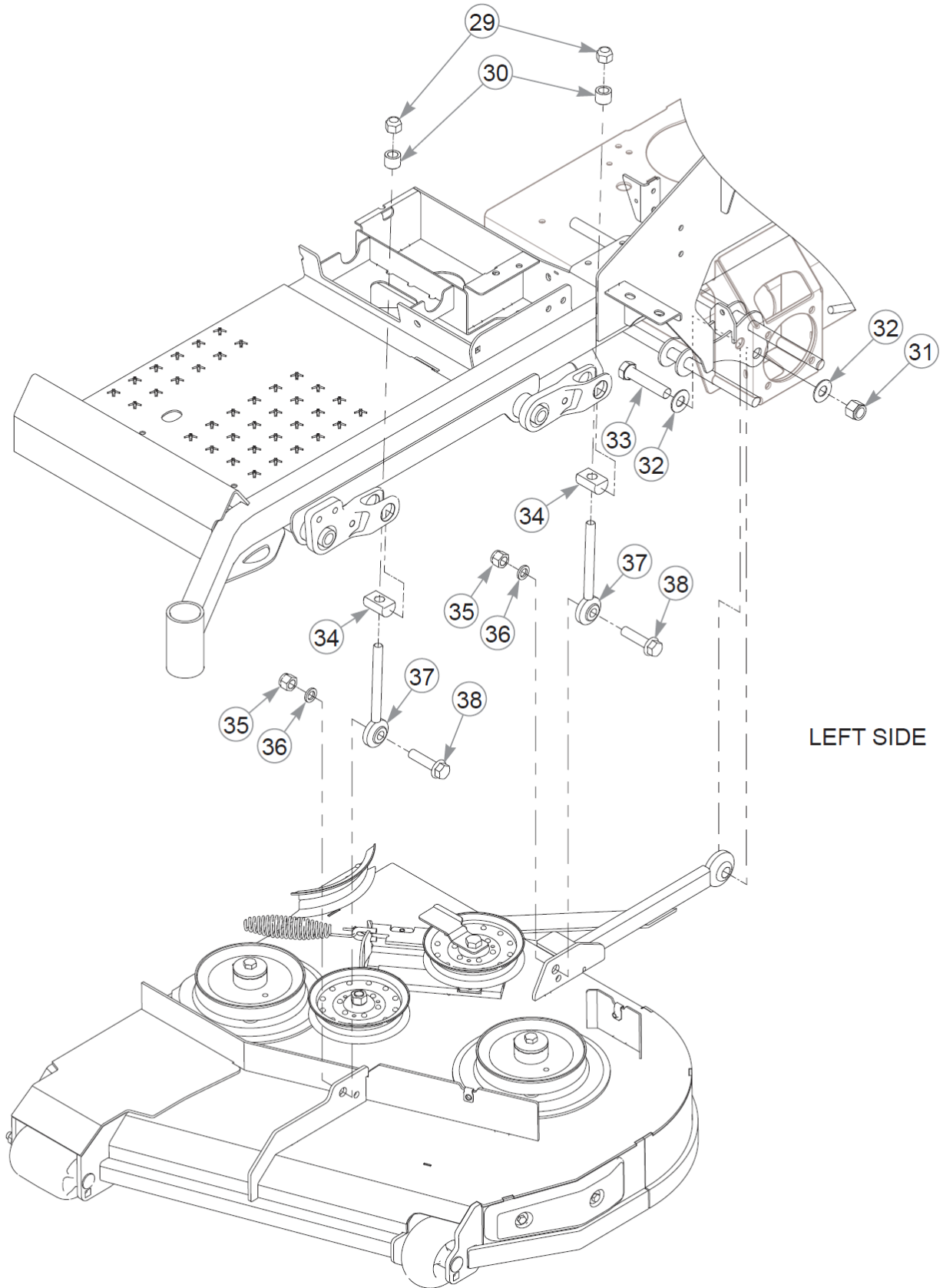
This page intentionally left blank



This page intentionally left blank



This page intentionally left blank



Deck Lift & Deck Height (Multi-Page)

72" Super Z Parts Manual - 941385 - HTHSZS072KAWFX1000VEFIA

Item	Part No.	Qty	Name
1	086660	1	NT .375-16NLG8
2	767954	7	FW 0.379X.82X.06 HD ZN
3	124361-4	2	LATCH HANDLE
4	606918	1	MAGNETIC PIN, 1/2 x 3.13
5	117489	1	SPACER, LATCH
6	124357-1	1	DECK HEIGHT W/A
7	604075	1	SPACER, CYLINDER
8	041848	1	CB .375-16X 3.500 FUL Z
9	718288	7	FW .516X.88X.09 ZN
10	017251	3	CP .156DX1.000 LG HML Z
11	025965	2	CE .500X3.50 .156X3.34
12	606895	1	SLIDER, DECK LIFT
13	068056	1	CE .500X1.50 .150X1.32
14	122994	1	DECK HEIGHT LINK, W/A
15	124147-1	1	PEDAL WA, DECK LIFT
16	080655	2	CS .375-16X1.500HXG5
17	781567	2	NT .500-13NLG5
18	124145-4	1	W/A, DECK LINK
19	122996	1	LINK SPACER
20	025395	4	CB .375-16X 1.00 G5 ZN
21	004168	5	FW .531x1.00x.090 ZN
22	074252	1	CS .500-13X1.50 HX G5 ZN
23	054502	4	NT .375-16HXG5
24	761544	1	CS .500-13X2.250HXG8
25	604254	1	CB .50-13 X 2.50 STD ZN
26	008193	4	NT .500-13HXG5
27	606478	2	EB, .500-13X3.00 FULTHD
28	606454	2	SPRING, EXT 7.0 300LB/IN
29	604232	4	NT .625-18NLKG5
30	603903	4	DECK LEVEL SPACER
31	061101	2	NT .750-10 HX ZN NL GR B
32	025296	4	FW .760X1.63X0.08 ZN
33	789115	2	CS .750-10X3.500HXG5
34	603902	4	DECK LEVEL PIVOT
35	058768	4	NT .625-11 HXZN NY
36	028118	4	FW 0.625X1.00X.13 ZN

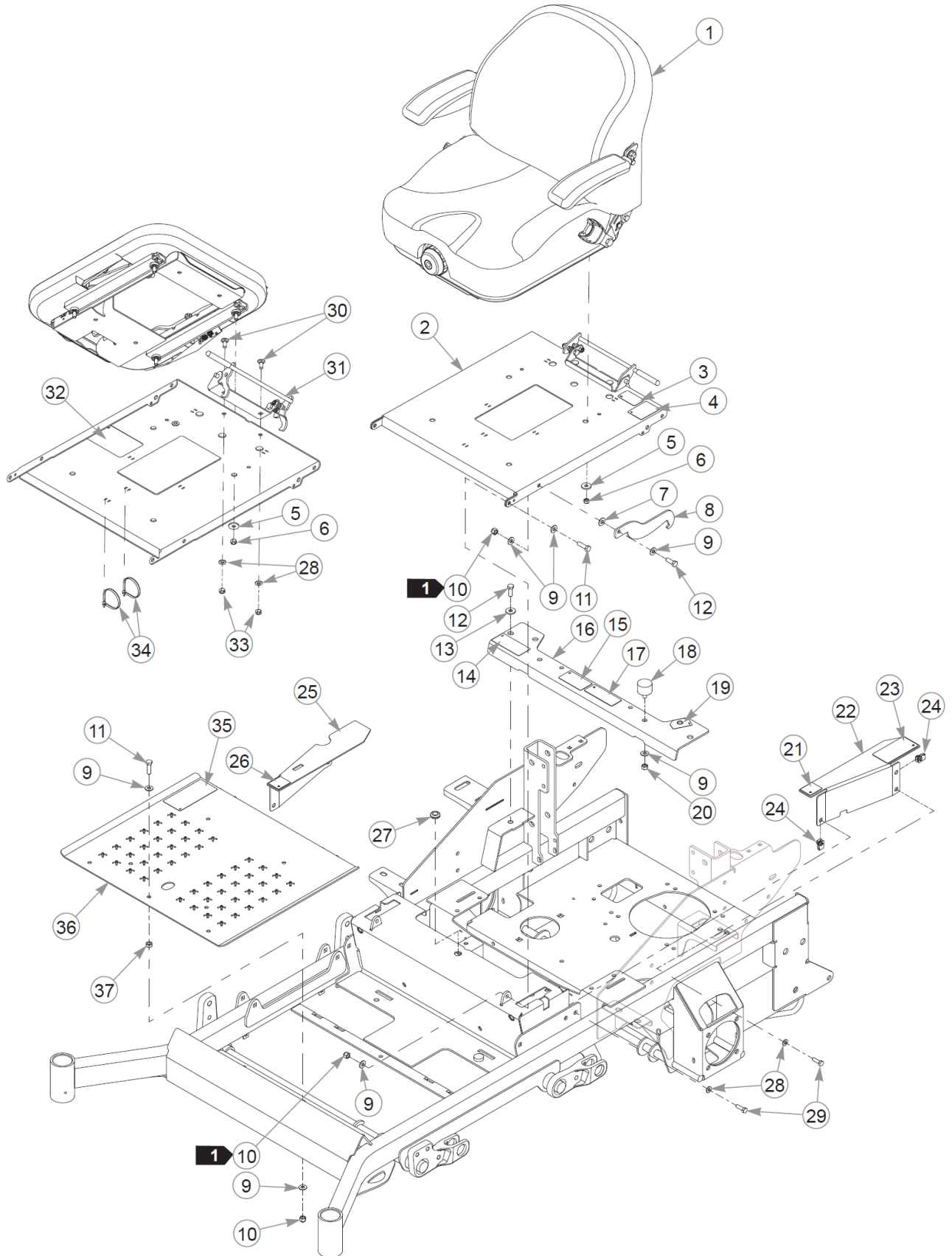
This page intentionally left blank

Deck Lift & Deck Height (Multi-Page)

Item	Part No.	Qty	Name
37	116732	4	W/A, DECK LEVEL ROD END
38	604043	4	CS .625-11x2.500FLGG5

Comments for Page: Deck Lift & Deck Height (Multi-Page)

1. The Top Pin Deck Height Kit includes items 3, 4, 6, & 12.



Seat & Floor Pan

Item	Part No.	Qty	Name
1	607706	1	SEAT, I3M SEATS INC
2	555027	1	SVC, SEAT PAN
3	605688	1	DECAL, LEVEL FUEL FILL
4	785188	1	DECAL, Z ARMREST WARNING
5	712927	4	FW 0.344X1.00X.12 HD ZN
6	058776	4	NT .312-18NLG5
7	724716	2	WASHER, FIBER (FS)
8	350421	2	SEAT PAN STOP (PLATED)
9	767954	12	FW 0.379X.82X.06 HD ZN
10	086660	5	NT .375-16NLG8
11	052860	3	CS .375-16X1.25 HX G5 ZN
12	036244	4	CS .375-16X1.00 HX G5 ZN
13	712919	2	FW 0.406X1.00X.12 HD ZN
14	601967	1	DECAL, ENGINE COMPART
15	601968	1	DECAL, HYDRAULIC PRESS
16	554291	1	SVC, SEAT SUPPORT
17	779280	1	DECAL, HOT & HYD OIL
18	601650	2	VIBRATION MOUNT 70DURO
19	791848	1	DECAL, FUEL INDICATOR- M
20	054502	2	NT .375-16HXG5
21	785139	1	DECAL, STEERING L.S.
22	550823	1	FRAME COVER LS, SERVICE
23	600899	1	DECAL, PUMP BELT WARNING
24	601069	5	CN .312-18x.200 MAX THK
25	550824	1	FRAME COVER RS, SERVICE
26	785220	1	DECAL, STEERING R.S.
27	080358	1	GM .50X1.00X.75X.12
28	768523	7	FW 0.343SAE
29	036236	5	CS .312-18X1.000HXG5
30	016253	2	CB .312-18X .750 FUL ZN
31	605907	1	LATCH ASSEMBLY
32	601815	1	DECAL, BATTERY WARNINGS
33	034272	2	NT .312-18HXG5
34	000331	2	WIRE TIE, SMALL/SHORT
35	606894	1	DECAL, DECK HEIGHT
36	554563	1	SVC, FLOOR PAN

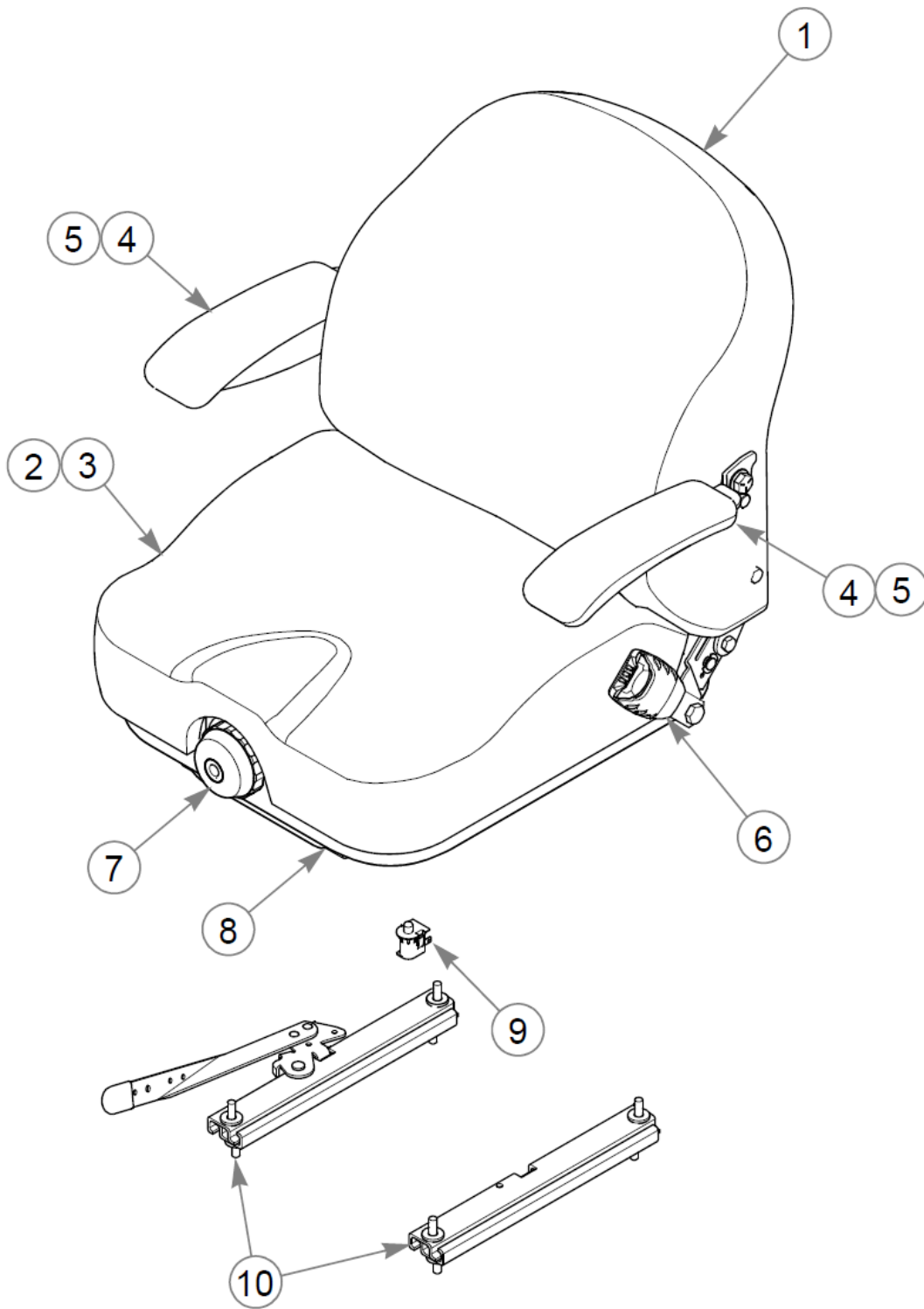
This page intentionally left blank

Seat & Floor Pan

Item	Part No.	Qty	Name
37	118900	1	SPACER, DECK LIFT LINK

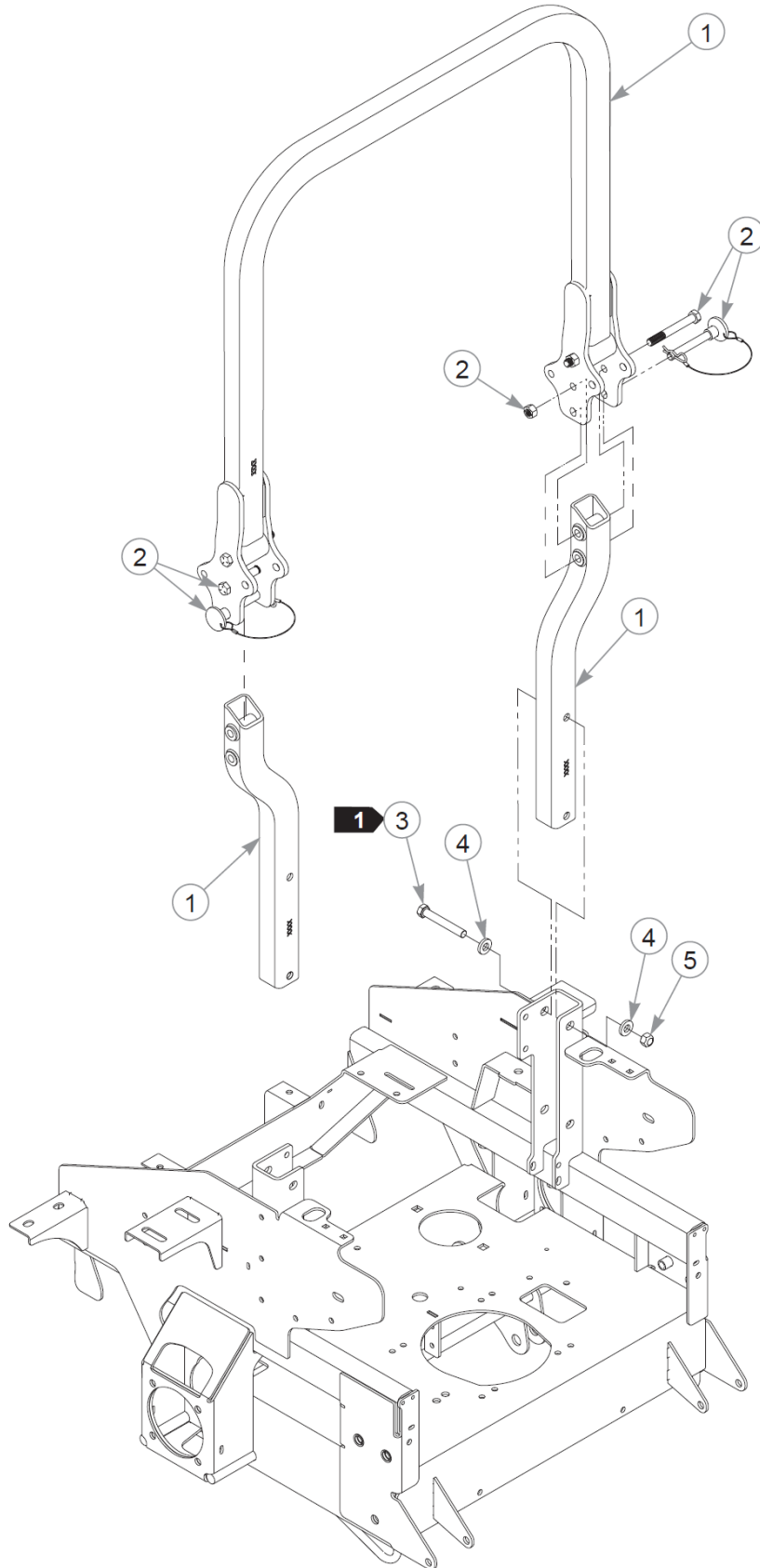
Comments for Page: Seat & Floor Pan

1. Do not torque; the seat pan and seat pan stop must pivot freely.



Seat Service Parts - 607706

Item	Part No.	Qty	Name
Not Shown	607706	1	SEAT, I3M SEATS INC
1	607707	1	SVC, SEAT BACK COVER
2	608351	1	SVC, SEAT FOAM I3M
3	607708	1	SVC, SEAT CUSHION COVER
4	607166	1	SVC, ARM REST KIT
5	606081	2	SVC, ARM PADS
6	607207	1	SVC, SEAT BELT
7	607206	1	SVC, KNOB KIT
8	607205	1	SVC, BELLOWS
9	606082	1	SVC, OPS
10	607204	1	SVC, TRACK KIT



ROPS

Item	Part No.	Qty	Name
1	608230	1	SVC, ROPS ASSY
2	608125	1	ROPS HARDWARE KIT
3	061812	4	CS .500-13X3.50 HX G5 ZN
4	767962	8	FW .531 x 1.063 x .175
5	023317	4	NT .500-13UNTG8

Comments for Page: ROPS

1. Torque to 73 ft-lbs.