

Hustler® Parts Manual



HUSTLER®
TURF EQUIPMENT

200 South Ridge Road

Hesston, Kansas

67062



NOTICE OF REQUIREMENT OF SPARK ARRESTER MUFFLER

This equipment may create sparks that can start fires around dry vegetation. California Public Resources Code Section 4442.6 provides that it is unlawful to use or operate an internal combustion engine on any forest-covered, brush-covered, or grass-covered land unless the engine is equipped with a spark arrester maintained in effective working order. A spark arrester is a device constructed of nonflammable materials specifically for the purpose of removing and retaining carbon and other flammable particles over 0.0232 of an inch in size from the exhaust flow of an internal combustion engine that uses hydrocarbon fuels or which is qualified and rated by the United States Forest Service. Other states or federal areas may have similar laws. The Operator Should Contact Local Fire Agencies For Laws or Regulations Relating to Fire Prevention Requirements. **THIS EQUIPMENT DOES NOT HAVE A SPARK ARRESTER AND YOU SHOULD CONTACT YOUR AUTHORIZED DEALER FOR THE PURCHASE OF A SPARK ARRESTER.**

Inspect spark arrester daily; replace every 500 hours or as needed.

The Engine Owner's Manual provides information regarding the U.S. Environmental Protection Agency (EPA) and the California Emission Control Regulation of emission systems, maintenance and warranty.

Keep Engine Owner's Manual with your unit. Should the Engine Owner's Manual become damaged or illegible, replace immediately. Replacements may be ordered per the information found in the Product Information section of the owner's manual.

Federal law and California State law prohibit the following acts or the causing thereof:

1. The removal or rendering inoperative by any person other than for purposes of maintenance, repair, replacement, of any device or element of design incorporated into any equipment for the purposes of emissions control prior to or after its sales or delivery to the ultimate purchaser or while it is in use, or
2. The use of the equipment after such device or element of design has been removed or rendered inoperative by any person.

General Information	1
Frame, Muffler Guard & Engine Guard	
Frame	3-1
Muffler Guard & Engine Guard	3-2
Hydraulic System, Drive Belt, Clutch, Steering & Brake	
Hydraulic System	4-1
Hydraulic Filter & Reservoir Assembly Breakdown	4-2
Hydraulic Motor Assembly Breakdown	4-3
LS Pump Assembly Breakdown	4-4
RS Pump Assembly Breakdown	4-5
Hydraulic Oil Cooler Mount	4-6
Pump Drive, Clutch & Drive Belt	4-7
Steering	4-8
Steering Cover Assembly (Multi-Page)	4-9
Steering Box Breakdown	4-10
Brake	4-11
Wheels & Tires	
Wheels & Tires	5-1
Front Wheel Assembly	5-2
Drive Wheel Assembly	5-3
Engine, Muffler & Fuel System	
Engine & Muffler	6-1
Engine Service Parts - FX1000V	6-2
Fuel System	6-3
LS Fuel Tank Service Parts - 607876	6-4
RS Fuel Tank Service Parts - 607877	6-5
Instrument Panel, Wire Harness & Battery	
Instrument Panel & Wire Harness	7-1
Battery	7-2
Deck, Deck Belt, Blades & Deck Lift	
Service Deck	8-1
Deck Pulleys & Spindles (Multi-Page)	8-2
Spindle Assembly Service Parts - 607407 & 607408	8-3
Deck Belt, Discharge Chute, Pulley Covers & Blades (Multi-Page)	8-4
Dust Shield	8-5
Deck Lift & Deck Height (Multi-Page)	8-6
Seat & ROPS	
Seat & Floor Pan	9-1
Seat Service Parts - 607710	9-2
ROPS	9-3

General Information

Note: When ordering parts, you must use the part number as shown for each part, not the index number. Always give the model and serial number to your parts and service representative.

Note: Items sold in bulk such as seals and hoses are sold by the foot.

Using This Manual

This manual is part of a service package for the Hustler® mowers. Use of this manual in conjunction with other Hustler® mower and component manuals will provide the information necessary to service and maintain Hustler® mowers.

This Parts Manual provides a complete parts listing for the unit. Use this manual when ordering parts. Illustrations used were current at the time of printing, but subsequent production changes may cause your machine to vary slightly in detail. Excel Industries, Inc. reserves the right to redesign and change the machine as deemed necessary, without notification. If a change has been made to your machine which is not reflected in this parts manual, see your authorized dealer for current information and parts.

The Service Manual is a service guide for use by Service Technicians. It provides the necessary information needed to perform normal maintenance requirements on these units.

The Operator's Manual provides fundamental operational information and operational safety that is needed when operating the mower.

The component manuals are furnished by the various manufacturers to be used for the troubleshooting and servicing of their products.

Hardware Description Codes & Abbreviations

The following codes are used throughout this parts manual. Refer to this list when ordering parts.

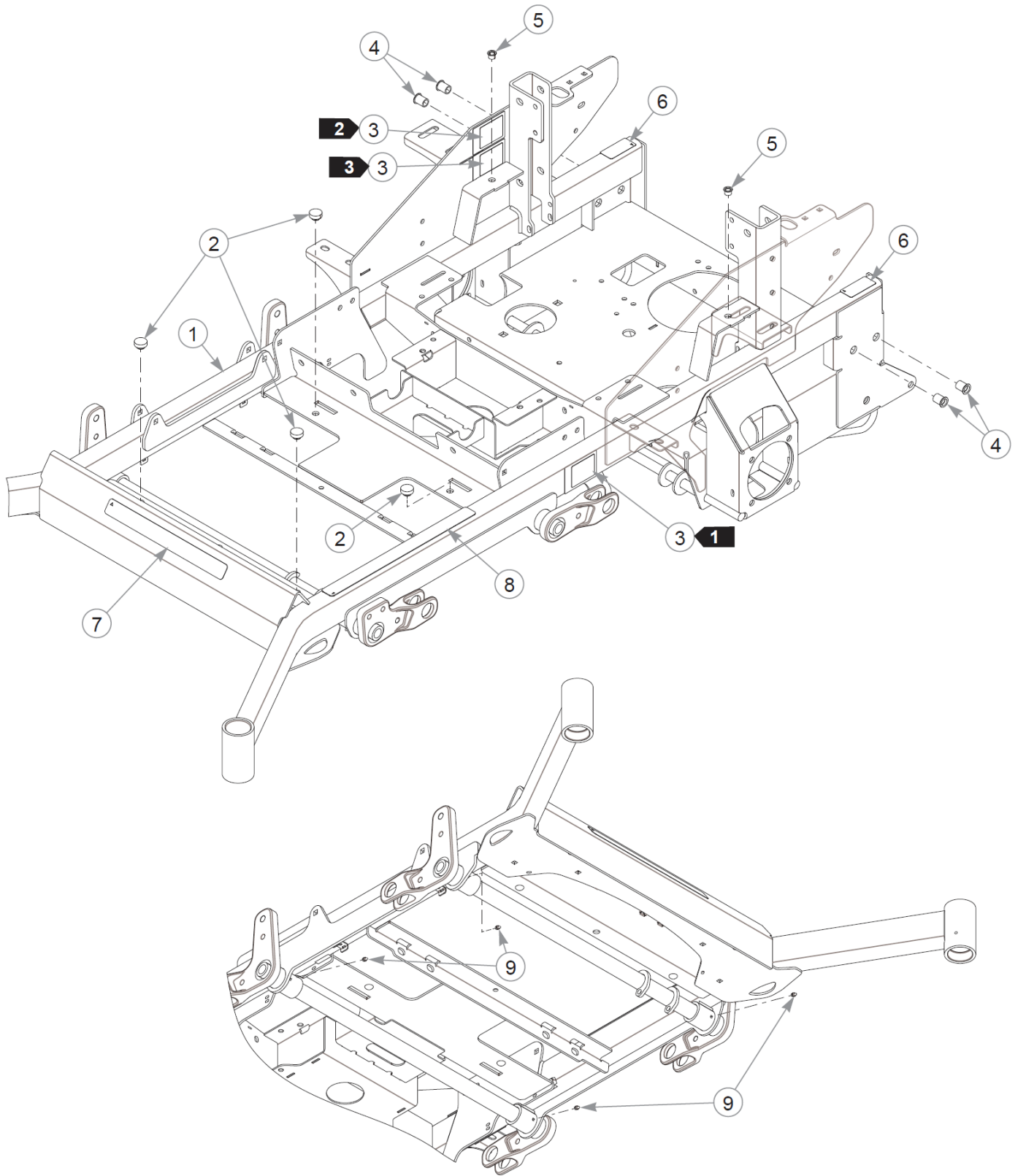
ABBREVIATION	DESCRIPTION	ABBREVIATION	DESCRIPTION
CB	CARRIAGE BOLT	MB	MACHINE BUSHING
CE	CLEVIS PIN	MS	MACHINE SCREW
CN	CLIP NUT	NT	NUT
CP	COTTER PIN	SC	SELF TAPPING CAP SCREW
CS	CAP SCREW	SH	SOCKET HEAD
CW	CUP WASHER	SB	SHOULDER BOLT
FDRW	FENDER WASHER	SS	SET SCREW
FW	FLAT WASHER	OD	OUTSIDE DIAMETER
HX	HEX HEAD	ID	INSIDE DIAMETER
LW	LOCK WASHER	WN	WELD NUT

Standard Torques

The following chart lists the standard torque values for the threaded fasteners found in this manual. Torque all cap screws, nuts and set screws to these values unless a different torque is shown in the Notes section next to the fastener.

SIZE	FT-LBS	N•M	SIZE	FT-LBS	N•M
.250	8.2	11.1	M3	1	1.3
.312	17	23	M4	2.2	3
.375	30	40	M5	4.5	6.1
.438	48	65	M6	7.7	10.4
.500	73	99	M8	18.5	25
.562	105	143	M10	37	50
.625	145	200	M12	64	87
.750	260	350	M14	80	108.5
.875	420	565	M16	160	215
1.00	625	850	M20	320	435
			M24	555	750

This page intentionally left blank

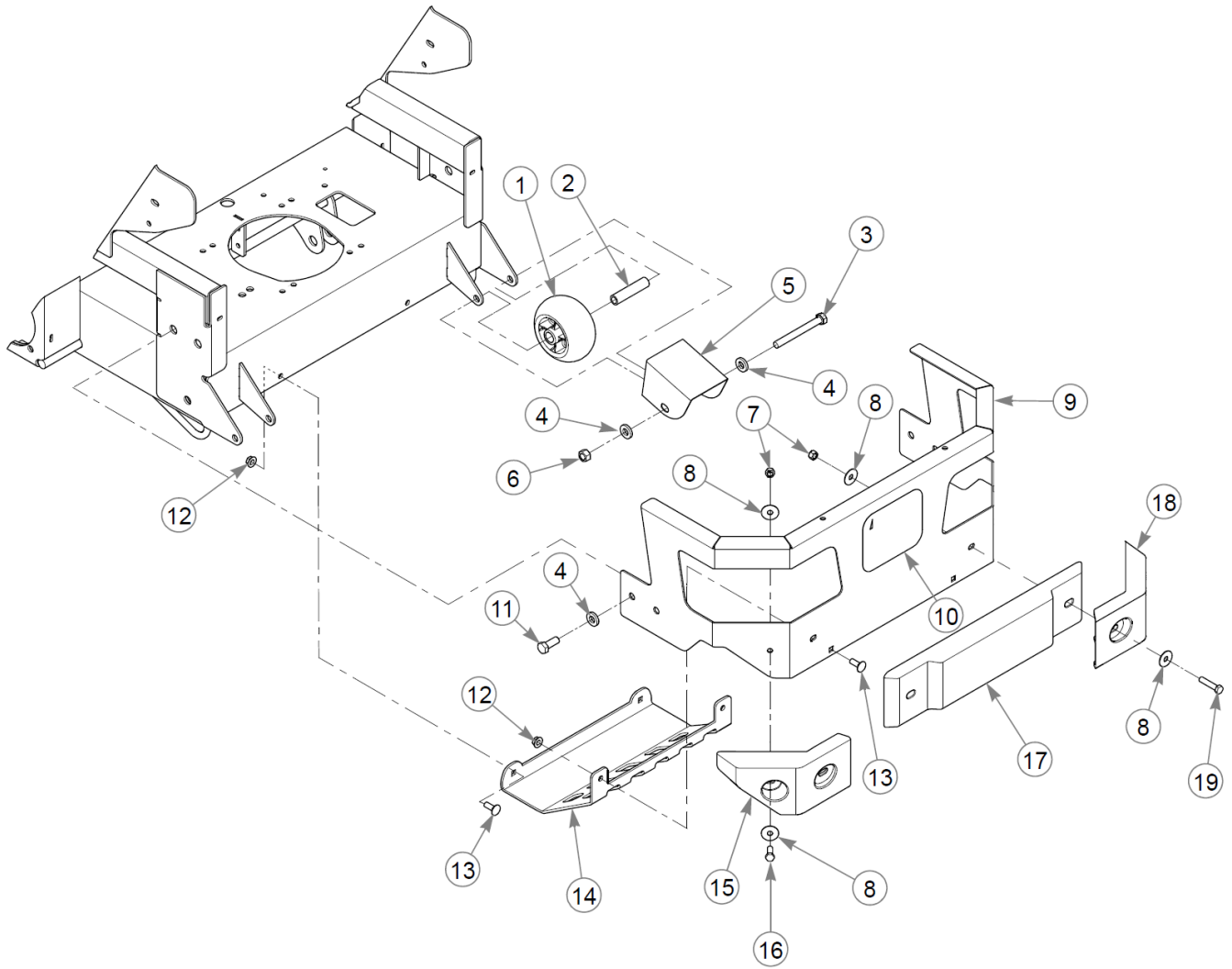


Frame

Item	Part No.	Qty	Name
1	554262	1	SVC FRAME 72"
2	781880	4	BUMPER, .500x 1.00x .31
3	N/A	3	SERIAL NUMBER / SPEC DECAL
4	600961	4	RIVET NUT, 1/2-13 THREAD
5	808493	2	RIVET NUT, 3/8-16 THREA
6	602041	2	DECAL, HOT
7	602407	1	DECAL, HUSTLER ID
8	601993	1	DECAL, SAFE OPERATION
9	015495	4	GREASE FITTING STRAIGHT

Comments for Page: Frame

1. Serial number decal. In the event the serial number decal becomes damaged or illegible, please contact your dealer to order a replacement.2. EPA compliance decal.3. Patent numbers decal.4. The frame includes decals, rivet nuts, and bumpers.

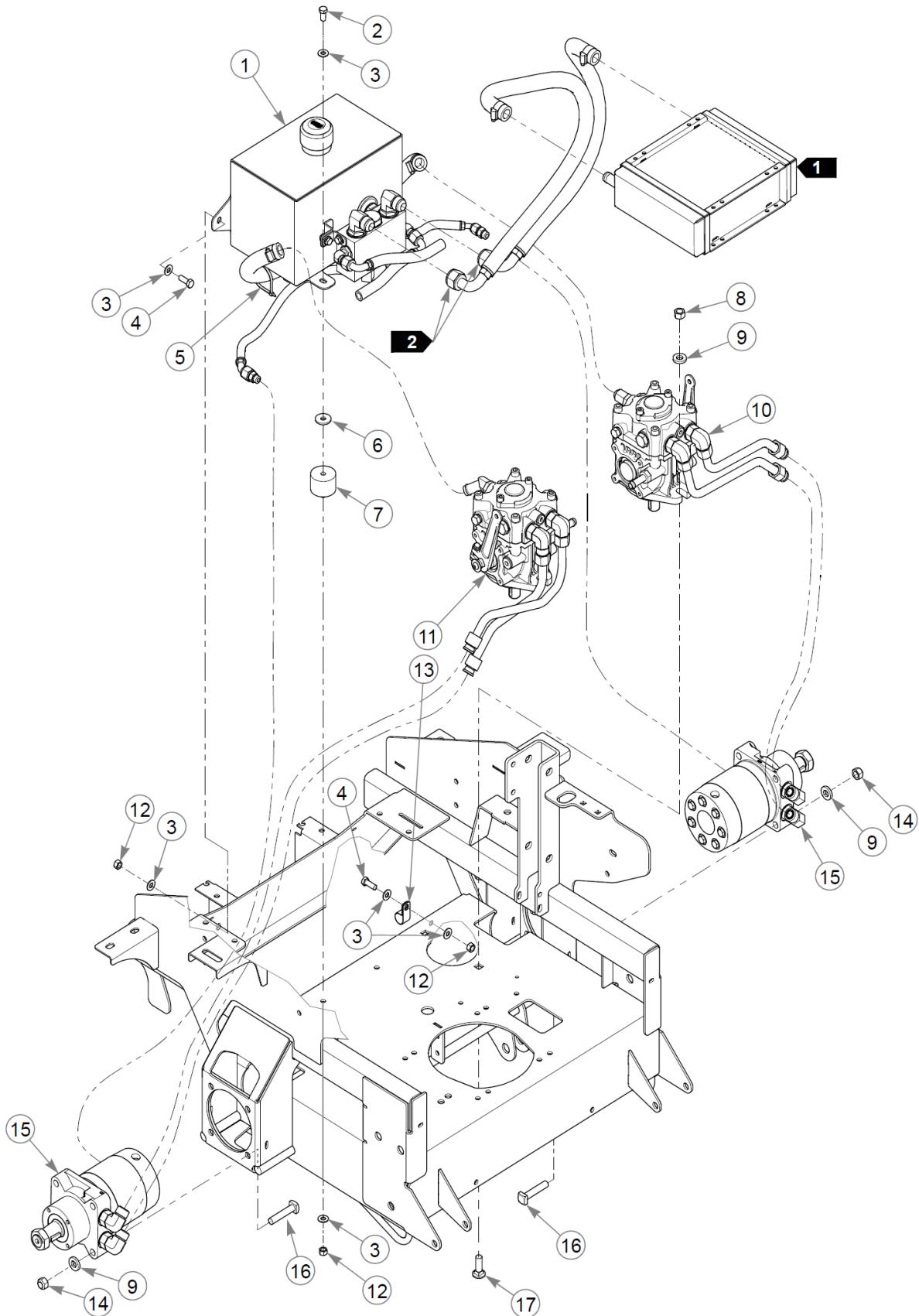


Muffler Guard & Engine Guard

Item	Part No.	Qty	Name
1	602263	2	WHEEL, ANTI-SCALP
2	602345	2	SPACER, ANTI-SCALP 3.22
3	068239	2	CS .500-13X4.500HXG5
4	767962	8	FW .531 x 1.063 x .175
5	377994	2	HEAT SHIELD, MMZ ROLLER
6	008193	2	NT .500-13HXG5
7	086660	4	NT .375-16NLG8
8	705137	8	FW 0.391X1.25X.06 ZN
9	554293	1	SVC, ENGINE GUARD
10	606807	1	DECAL, H LOGO
11	705954	4	CS .500-13X1.25 HX G5 ZN
12	016899	4	NT .375-16 FLKG5
13	025395	4	CB .375-16X 1.00 G5 ZN
14	124218-3	1	MUFFLER GUARD
15	606658	1	PLASTIC BUMPER, LH
16	036244	2	CS .375-16X1.00 HX G5 ZN
17	606657	1	PLASTIC BUMPER, CENTER
18	606659	1	PLASTIC BUMPER, RH
19	705178	2	CS .375-16X1.750HXG5

Comments for Page: Muffler Guard & Engine Guard

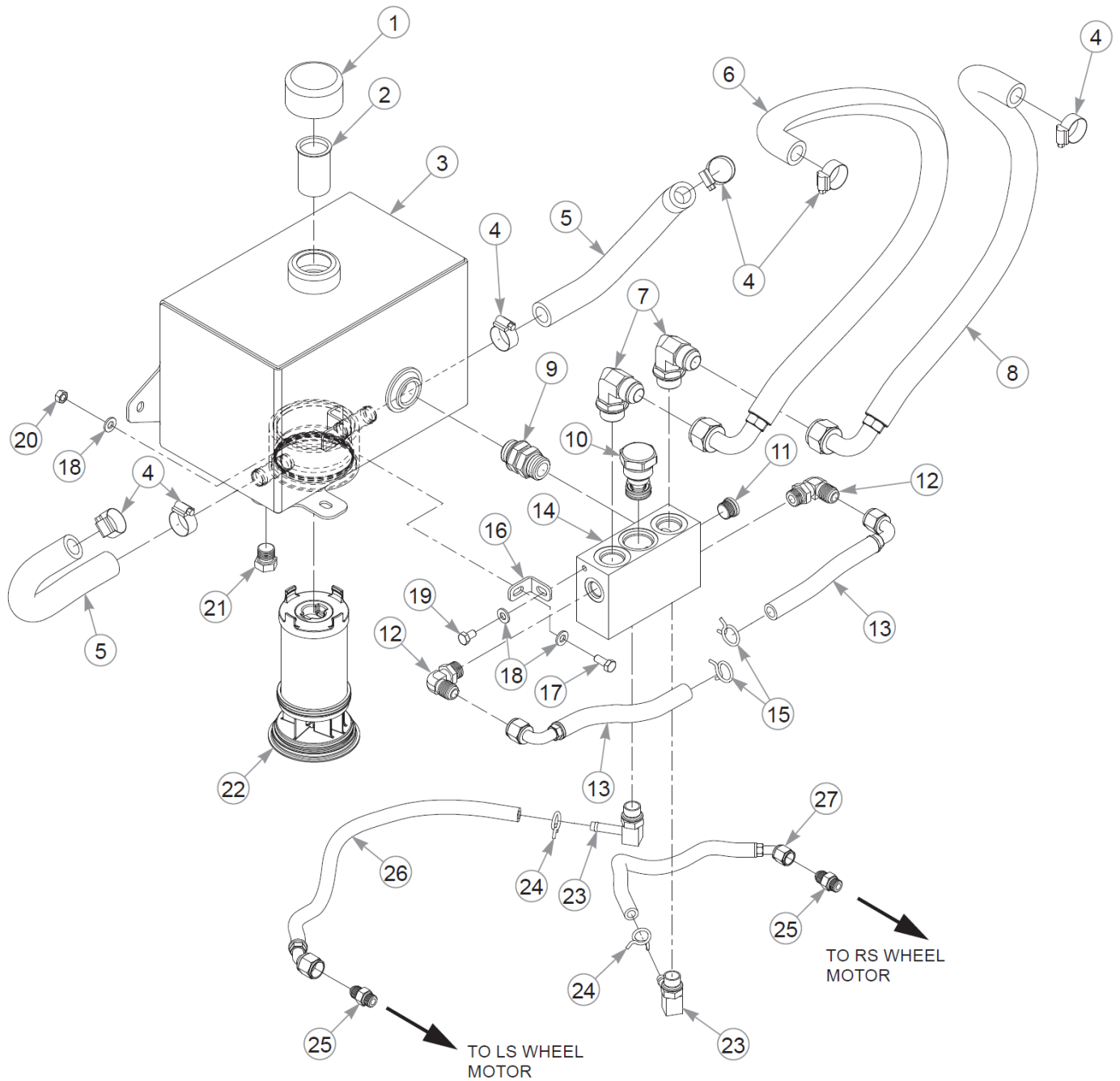
1. The engine guard includes the decal.



Hydraulic System

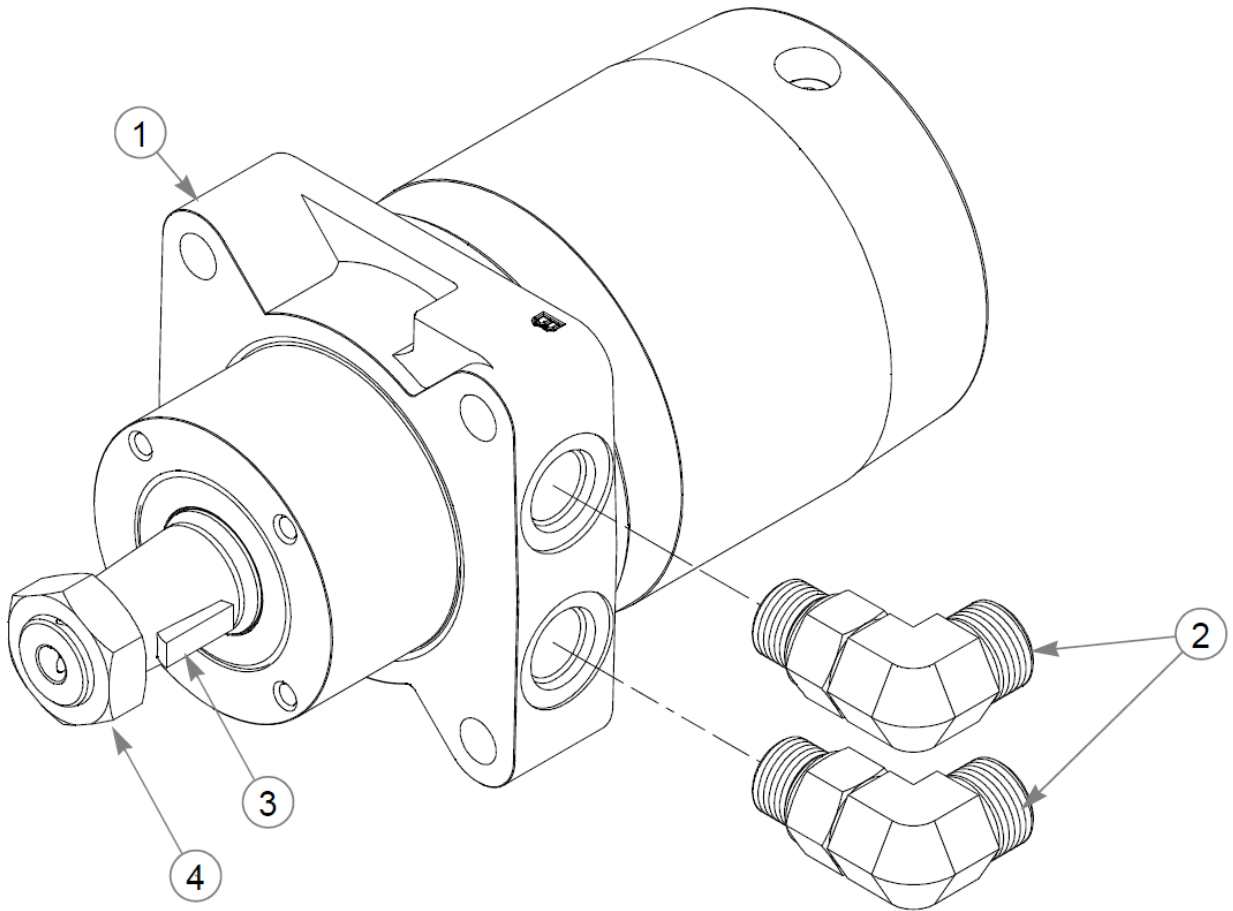
Item	Part No.	Qty	Name
1		1	REFER TO "HYDRAULIC RESERVOIR ASSEMBLY BREAKDOWN"
2	055822	1	CS .375-16X0.75 HX G5 ZN
3	767954	10	FW 0.379X.82X.06 HD ZN
4	036244	4	CS .375-16X1.00 HX G5 ZN
5	000331	1	WIRE TIE, SMALL/SHORT
6	712893	1	FW 0.406X1.25X.12 HD ZN
7	606890	1	VIBRATION MOUNT
8	008193	4	NT .500-13HXG5
9	767962	12	FW .531 x 1.063 x .175
10		1	REFER TO "RS PUMP ASSEMBLY BREAKDOWN"
11		1	REFER TO "LS PUMP ASSEMBLY BREAKDOWN"
12	054502	5	NT .375-16HXG5
13	043570	2	CLIP - HOSE - SINGLE(FS)
14	023317	8	NT .500-13UNTG8
15		2	REFER TO "WHEEL MOTOR BREAKDOWN"
16	602256	8	CS .500-13X2.500 SQ G5
17	028274	4	CB .500-13X 1.500 FULL

Hydraulic Filter & Reservoir Assembly Breakdown



Hydraulic Filter & Reservoir Assembly Breakdown

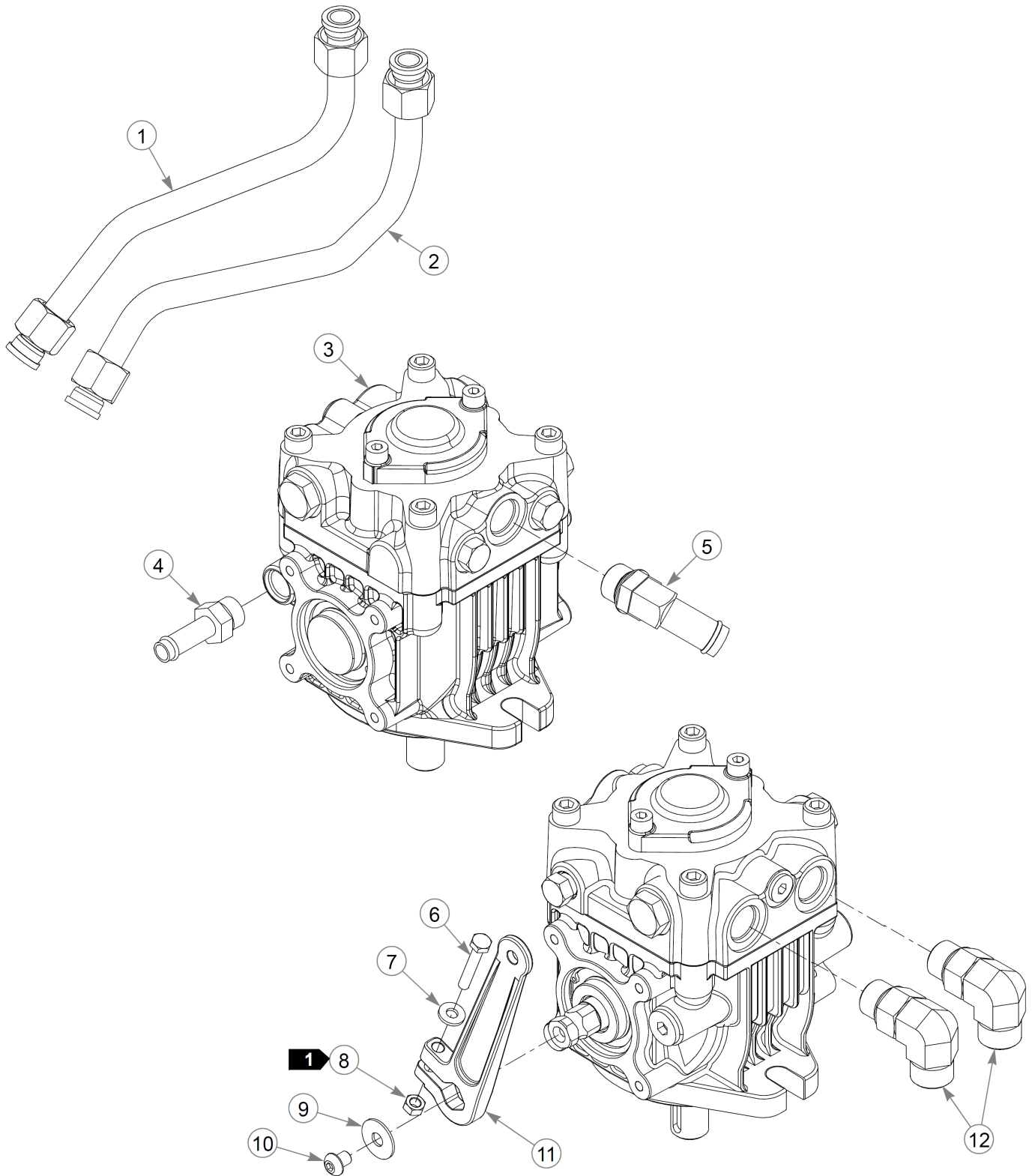
Item	Part No.	Qty	Name
1	032763	1	CAP, BREATHER
2	032771	1	STRAINER
3	606173	1	RESERVOIR, HYDRAULIC
4	700484	6	CLAMP, HOSE (FS)
5	603045	2	HOSE, PUMP SUCTION
6	603046	1	HOSE, TO COOLER
7	603189	2	FTG,-12MORB/-12MJIC 90°
8	603047	1	HOSE, FROM COOLER
9	603039	1	FTG, -12MORB/-12MORB STR
10	603053	1	CHECK VALVE
11	603123	1	FTG,-8MORB HEX PLUG
12	771311	2	FTG, -8MORB/-8MJIC, 90°
13	603042	2	HOSE, PUMP CASE DRAIN
14	603000	1	MANIFOLD, CASE DRAIN
15	601001	2	SPRING CLAMP, .75" DIA
16	113623	1	SUPPORT BRACKET
17	034280	1	CS .312-18X0.750HXG5
18	768523	3	FW 0.343SAE
19	068346	1	CS .312-18X0.500HXG5
20	034272	1	NT .312-18HXG5
21	781658	1	FTG, -8MORB/HEX PLUG
22	602768X	1	HYDRAULIC OIL FILTER
23	603190	2	FTG,-8MORB/-6BT 90°
24	601617	2	SPRING CLAMP, 5/8" DIA.
25	779132	2	FTG, -6MORB/-6MJIC STR
26	603043	1	HOSE, L MOTOR CASE DRAIN
27	603044	1	HOSE, R MOTOR CASE DRAIN



Hydraulic Motor Assembly Breakdown

Item	Part No.	Qty	Name
1	602714	1	MOTOR, TG0280 - HH
2	602443	2	FTG,-10MORB/-10MORFS 90°
3	064337	1	ROSS WOODRUFF KEY
4	065516	1	ROSS NUT

LS Pump Assembly Breakdown



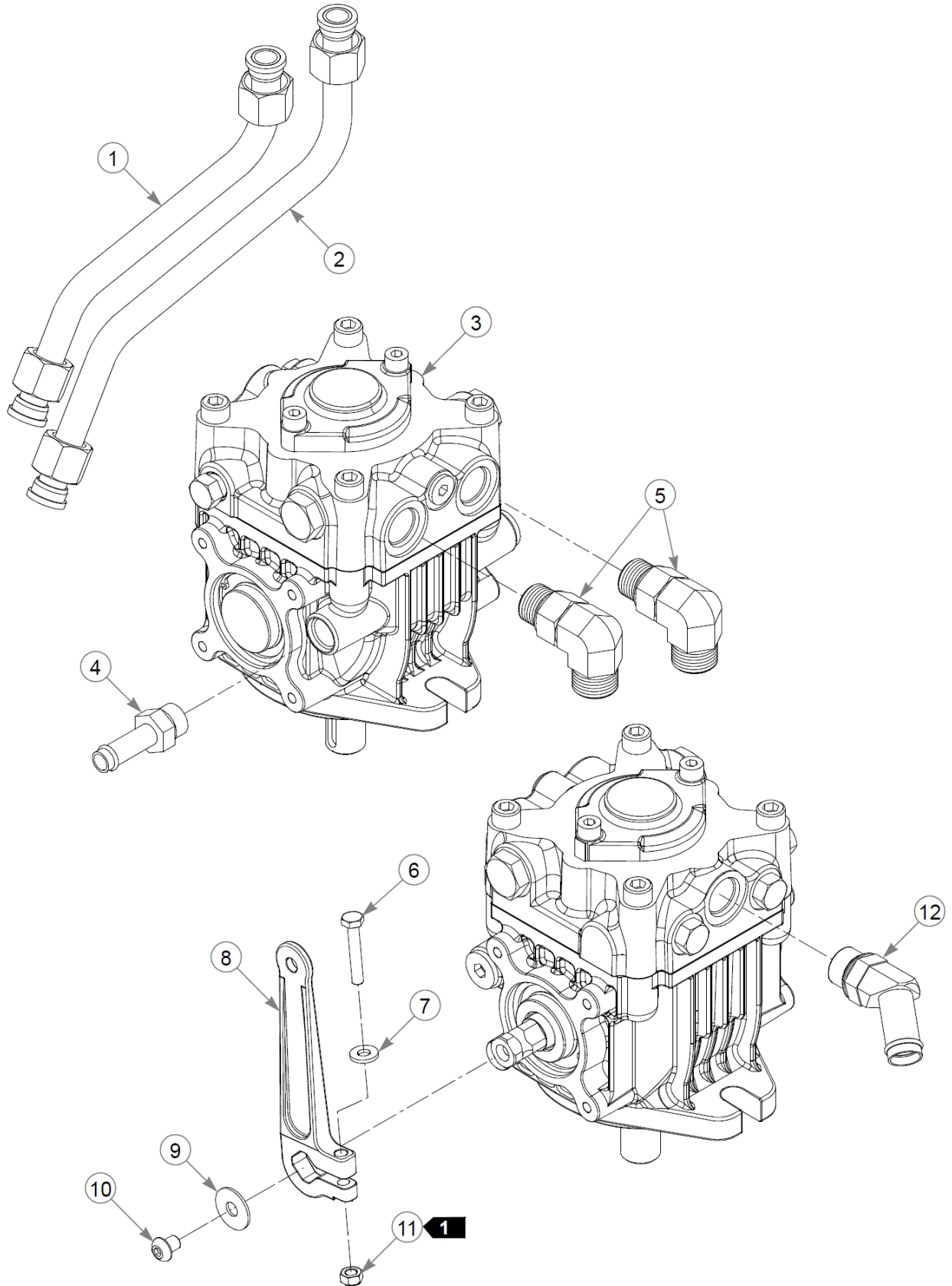
LS Pump Assembly Breakdown

Item	Part No.	Qty	Name
1	602873	1	TUBE, LP-BM LH LOOP
2	602874	1	TUBE, RP-TM LH LOOP
3	602556	1	PUMP, DANFOSS DDC20 - HH
4	601523	1	FTG, -8MORB/-8BT STR
5	774968	1	FTG, -10MORB/-12BT 45°
6	008581	1	CS .250-20X1.500HXG5
7	768515	1	FW 0.281SAE
8	068551	1	NT .250-20 HXZY NL
9	079210	1	FW 0.344X1.0X0.06 ZN
10	603272	1	CS M8-1.25x10 G10.9 SHBH
11	602732	1	PUMP ARM , SUPER Z
12	602443	2	FTG,-10MORB/-10MORFS 90°
13	603362	1	SEAL KIT, DANFOSS DDC20

Comments for Page: LS Pump Assembly Breakdown

1. Torque to 8.2 ft-lb (11 N•m).

RS Pump Assembly Breakdown

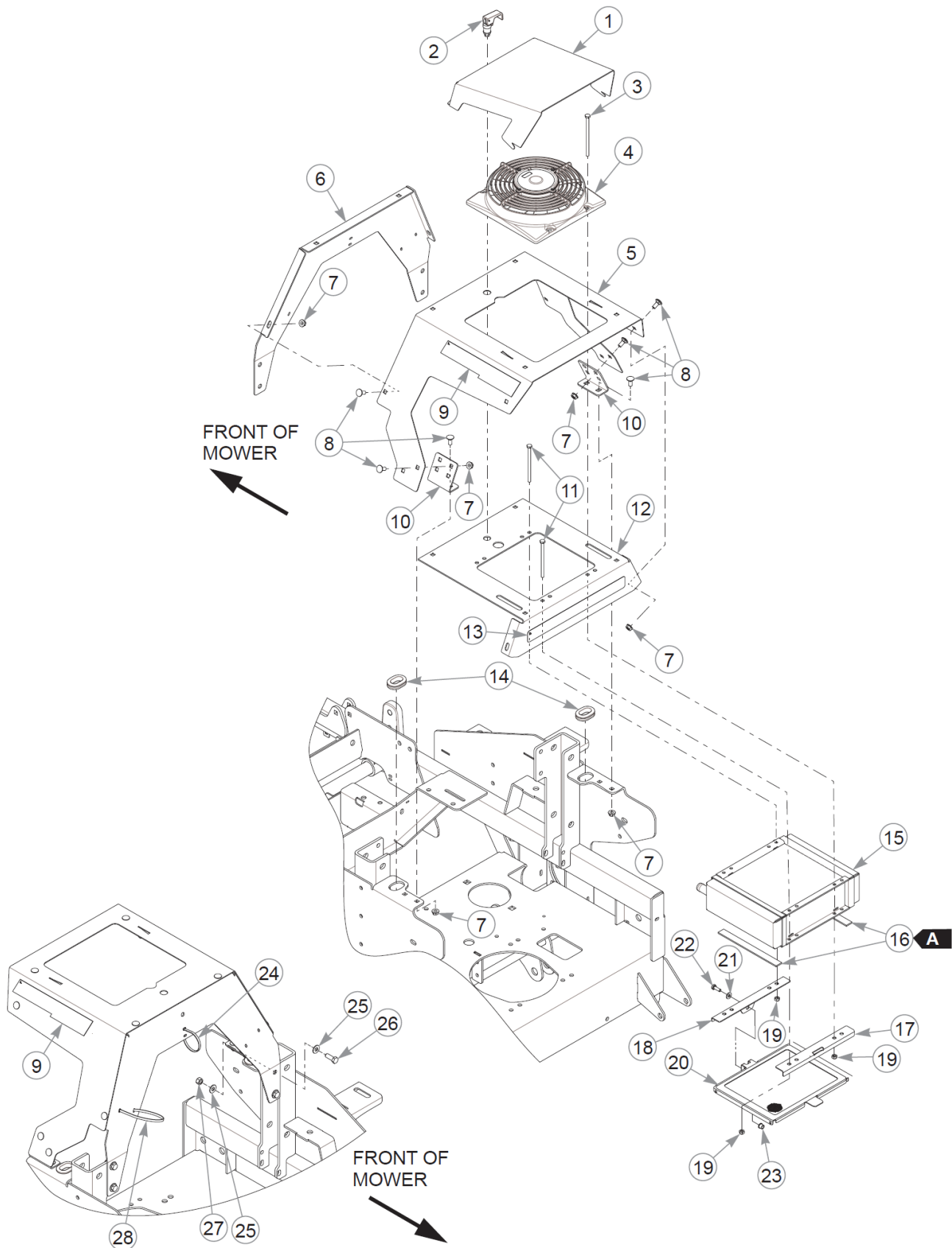


RS Pump Assembly Breakdown

Item	Part No.	Qty	Name
1	602876	1	TUBE, RP-TM RH LOOP
2	602875	1	TUBE, LP-BM RH LOOP
3	602964	1	PUMP, DANFOSS DDC20 - HH
4	601523	1	FTG, -8MORB/-8BT STR
5	602443	2	FTG,-10MORB/-10MORFS 90°
6	008581	1	CS .250-20X1.500HXG5
7	768515	1	FW 0.281SAE
8	602732	1	PUMP ARM , SUPER Z
9	079210	1	FW 0.344X1.0X0.06 ZN
10	603272	1	CS M8-1.25x10 G10.9 SHBH
11	068551	1	NT .250-20 HXZY NL
12	774968	1	FTG, -10MORB/-12BT 45°
13	603362	1	SEAL KIT, DANFOSS DDC20

Comments for Page: RS Pump Assembly Breakdown

1. Torque to 8.2 ft-lbs (11.1 N•m).

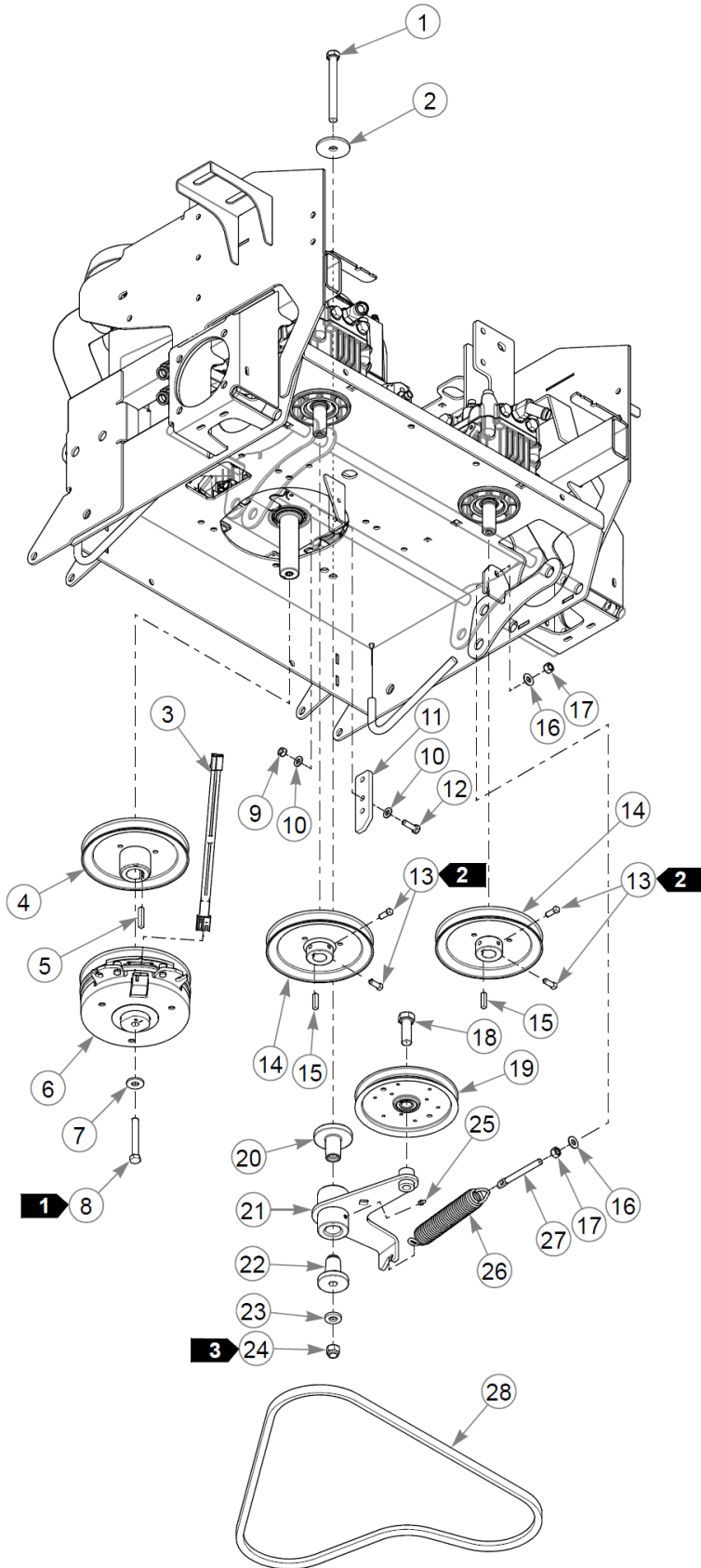


Hydraulic Oil Cooler Mount

Item	Part No.	Qty	Name
1	124302-1	1	AIR SCOOP, OIL COOLER
2	791384	1	LATCH, HEAVY DUTY SWELL
3	603229	4	CS .250-20X4.500 HX G5
4	603066	1	FAN, 9" 12V
5	554388	1	SVC, OIL COOLER COVER
6	124299-1	1	OIL COOLER MOUNT, HD
7	016832	16	NT .312-18FLKG5
8	016253	16	CB .312-18X .750 FUL ZN
9	606909	2	DECAL, HYPERDRIVE
10	117725	2	BRACKET, COOLER MOUNT
11	603228	2	CS .250-20X4.000 HX G5
12	554389	1	SVC, COOLER MOUNT
13	602407	1	DECAL, HUSTLER ID
14	706531	2	GM 1.12X1.75X1.37X.12
15	602709	1	OIL COOLER, HYD 8" FAN
16	033035	2	WEATHERSTRIP .12X.75
17	124390-3	1	BRACKET, SCRNMNT FNT
18	124389-3	1	BRACKET, SCRNMNT RR
19	068551	6	NT .250-20 HXZY NL
20	114165	1	SCREEN ASSY SZ COOLER
21	768515	1	FW 0.281SAE
22	055939	1	CS .250-20X0.75 HX G5 ZN
23	808477	1	RIVET NUT, 1/4-20 THREA
24	000331	1	WIRE TIE, SMALL/SHORT
25	767954	8	FW 0.379X.82X.06 HD ZN
26	036244	4	CS .375-16X1.00 HX G5 ZN
27	054502	4	NT .375-16HXG5
28	000430	2	WIRE TIE, SMALL/LONG

Comments for Page: Hydraulic Oil Cooler Mount

WEATHERSTRIP LENGTHA: 7.75"



Pump Drive, Clutch & Drive Belt

Item	Part No.	Qty	Name
1	051151	1	CS .500-13X5.000HXG5
2	344267	1	FW .510X2.15X.19 ZN
3	791251	1	HARNESS, CLUTCH PIGTAIL
<p>Comments for Part Num. 791251</p> <p>Pigtail was updated with epoxy to hold the wires steady. The wire sheath was also updated to a more flexible material.</p>			
4	602755	1	PULLEY 7.35 OPx1.125SHFT
5	212076	1	KEY 1/4 SQ X 1.50 LG(FS)
6	606936K	1	CLUTCH KIT, CMS250
7	602680	1	FW .453X1.12X.12 HRD ZN
8	785048	1	CS .437-20X3.00 HXG5 P85
9	034272	2	NT .312-18HXG5
10	768523	4	FW 0.343SAE
11	113347	1	CLUTCH ANCHOR
12	036236	2	CS .312-18X1.000HXG5
13	083196	4	SS .312-18X0.750SQ
14	602754	2	PULLEY 7.35 OPx0.875SHFT
15	210146	2	KEY 1/4 SQ X 1.12 LONG
16	767954	2	FW 0.379X.82X.06 HD ZN
17	054502	2	NT .375-16HXG5
18	025007	1	CS .62511X1.750HXG5
19	603783	1	PULLEY, 6" FLAT IDLER
20	602880	1	BUSHING, IDLER PIVOT
21	115536	1	TENSIONER
22	602879	1	BUSHING, IDLER PIVOT
23	767962	1	FW .531 x 1.063 x .175
24	781567	1	NT .500-13NLG5
25	015495	1	GREASE FITTING STRAIGHT
26	601016	1	IDLER SPRING
27	601486	1	EB, .375-16X3.00 FULTHD
28	604208	1	DRIVE BELT
<p>Comments for Part Num. 604208</p> <p>Belt design was a COG belt but has been changed to a smooth V-belt.</p>			

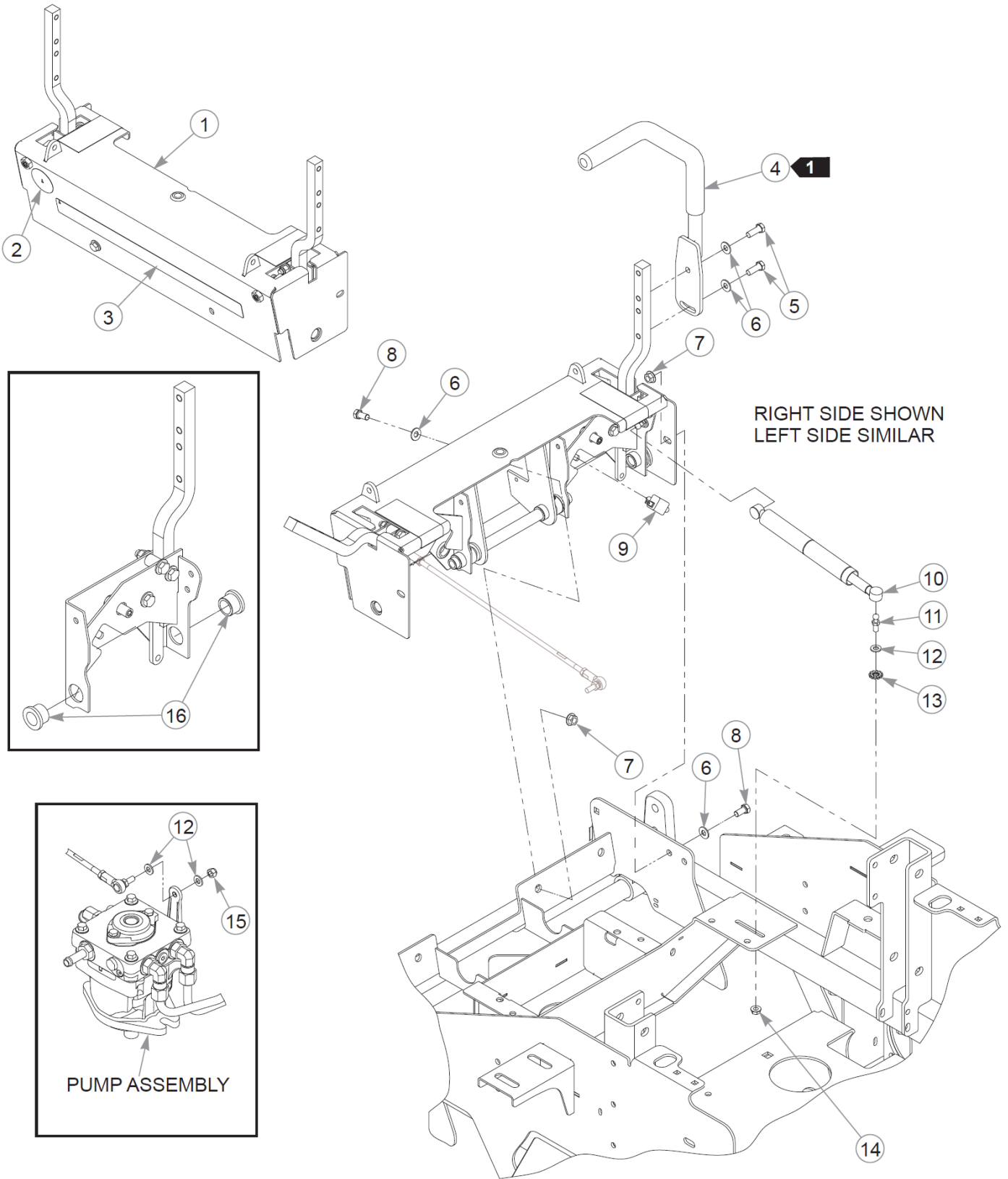
Comments for Page: Pump Drive, Clutch & Drive Belt

Pump Drive, Clutch & Drive Belt

1. Torque to 45–48 ft-lbs. Replace (do not reuse) the cap screw if it is removed or loosened. Use only hand tools to install this fastener.
2. Torque to 12–15 ft-lbs.
3. Torque to 71–75 ft-lbs. The tensioner should pivot freely.

This page intentionally left blank

Steering

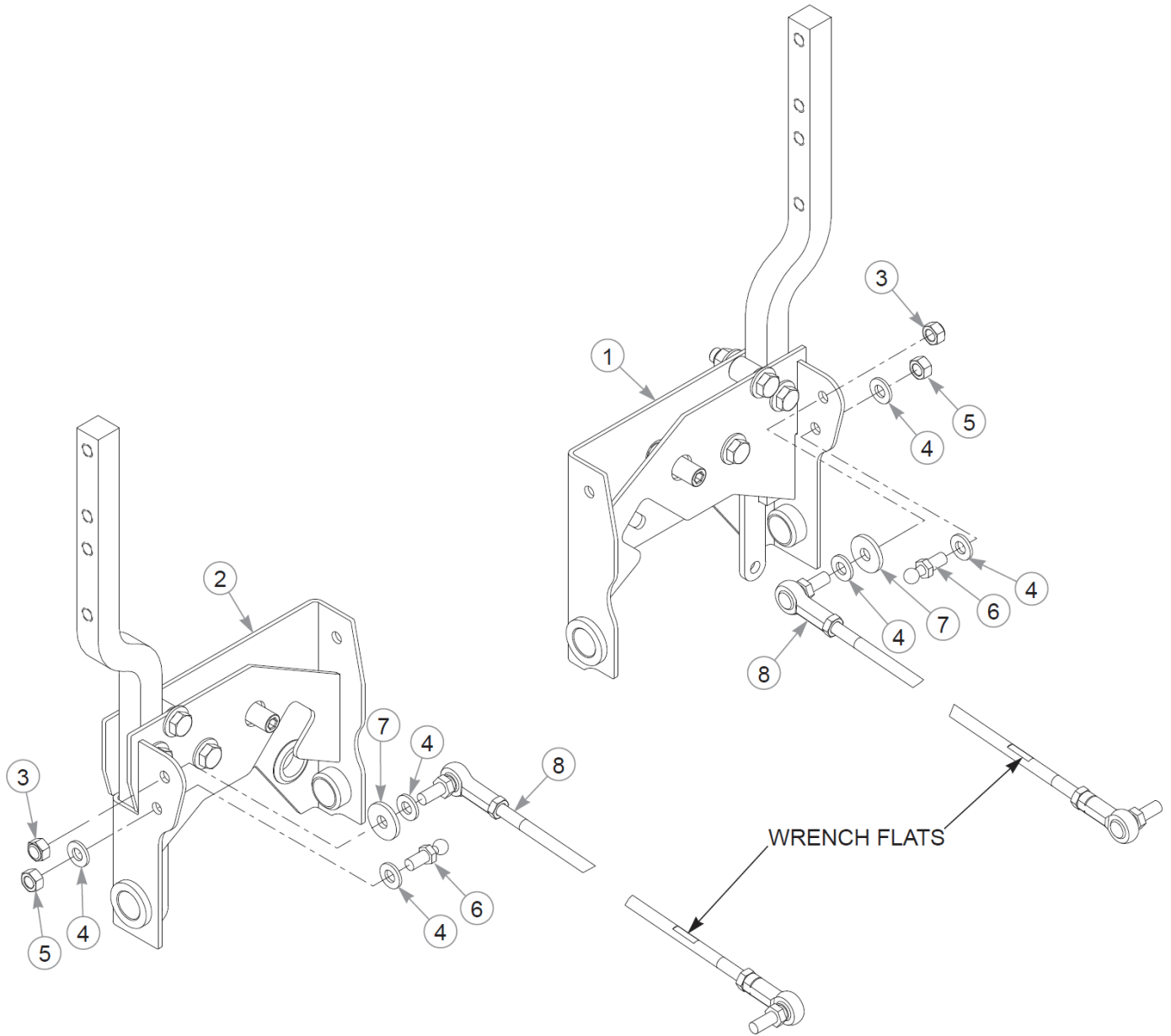


Steering

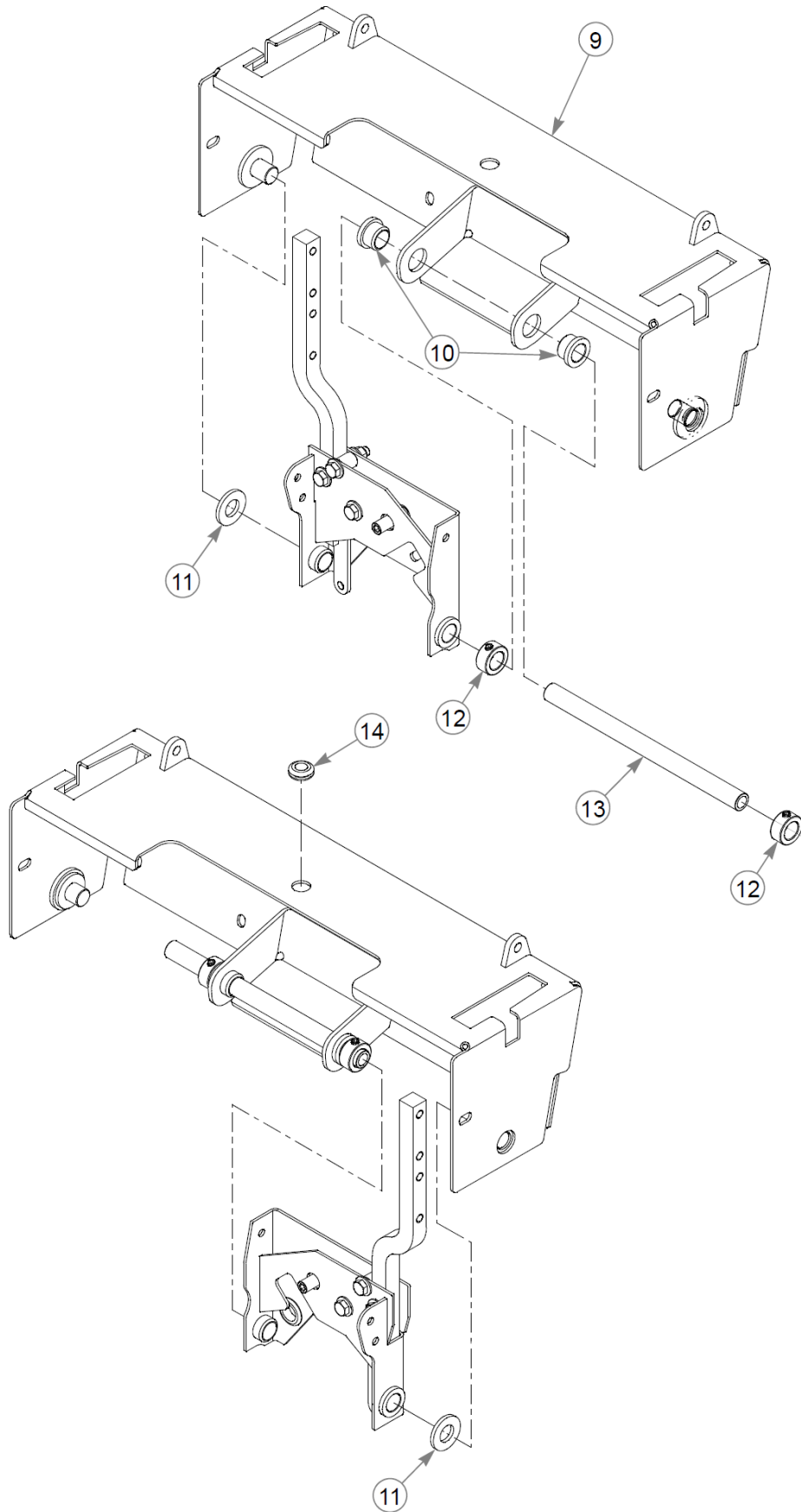
Item	Part No.	Qty	Name
1	N/A	1	REFER TO "STEERING COVER ASSEMBLY"
2	608127	1	DECAL, USA, F&D
3	608100	1	DECAL, SUPER Z HD
4	605924	2	STEERING BAR W/A
Not Shown	781260	2	GRIP, STEERING BAR
5	036244	4	CS .375-16X1.00 HX G5 ZN
6	767954	8	FW 0.379X.82X.06 HD ZN
7	016899	4	NT .375-16 FLKG5
8	055822	4	CS .375-16X0.75 HX G5 ZN
9	601087	2	SWITCH, PLUNGER N.O.
10	603192	2	DAMPER, STEERING
11	781922	2	BALL STUD
12	768523	6	FW 0.343SAE
13	029876	2	LW .312 INTEXT ZN
14	016832	2	NT .312-18FLKG5
15	023655	2	NT 0.312-24 NL G8
16	608000	4	BUSHING

Comments for Page: Steering

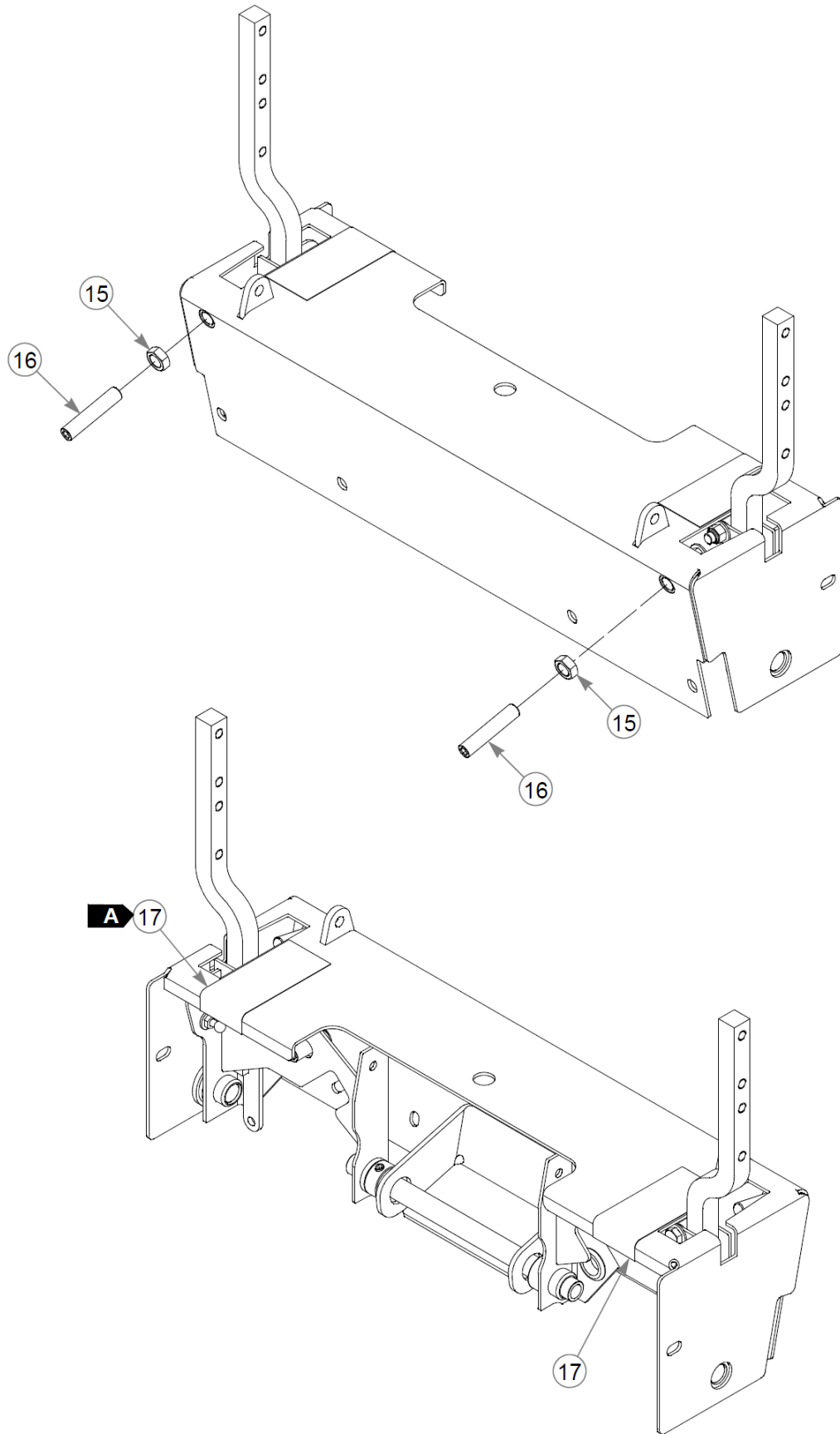
1. The steering handles include the grips.



This page intentionally left blank



This page intentionally left blank



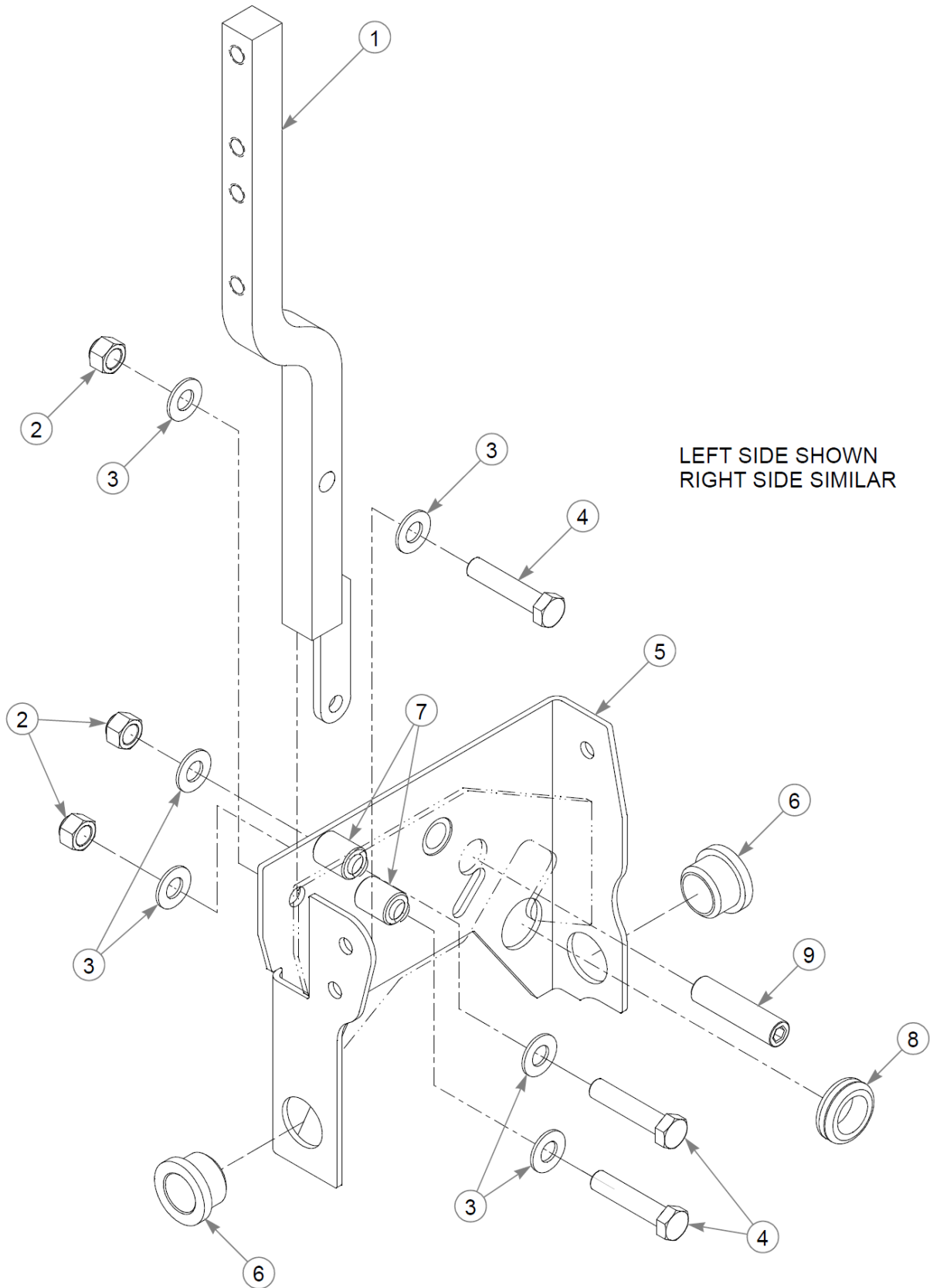
Steering Cover Assembly (Multi-Page)

Item	Part No.	Qty	Name
1	604297	1	STEERING BOX SUB, RH
2	604298	1	STEERING BOX SUB, LH
3	023655	2	NT 0.312-24 NL G8
4	768523	6	FW 0.343SAE
5	034272	2	NT .312-18HXG5
6	781922	2	BALL STUD
7	712927	2	FW 0.344X1.00X.12 HD ZN
8	781286	2	PUMP ROD ADJUSTER ASSY
9	550818	1	STEERING COVER, SERVICE
10	608000	2	BUSHING
11	603078	2	FW .750X1.50X.16 ZN
12	784439	2	LOCK COLLAR,0.757 ID(FS)
13	113007	1	STEER PIVOT TUBE, SZ
14	080358	1	GM .50X1.00X.75X.12
15	053199	2	NT .500-13JAMG5
16	603055	2	SS .500-13X 2.50 SH ZN
17	722199	11"	POLYURETHANE 2" (FS)

Comments for Page: Steering Cover Assembly (Multi-Page)

1. The steering cover includes the decal.WEAR TAPE LENGTHA: 5.5" ± 0.3"

Steering Box Breakdown

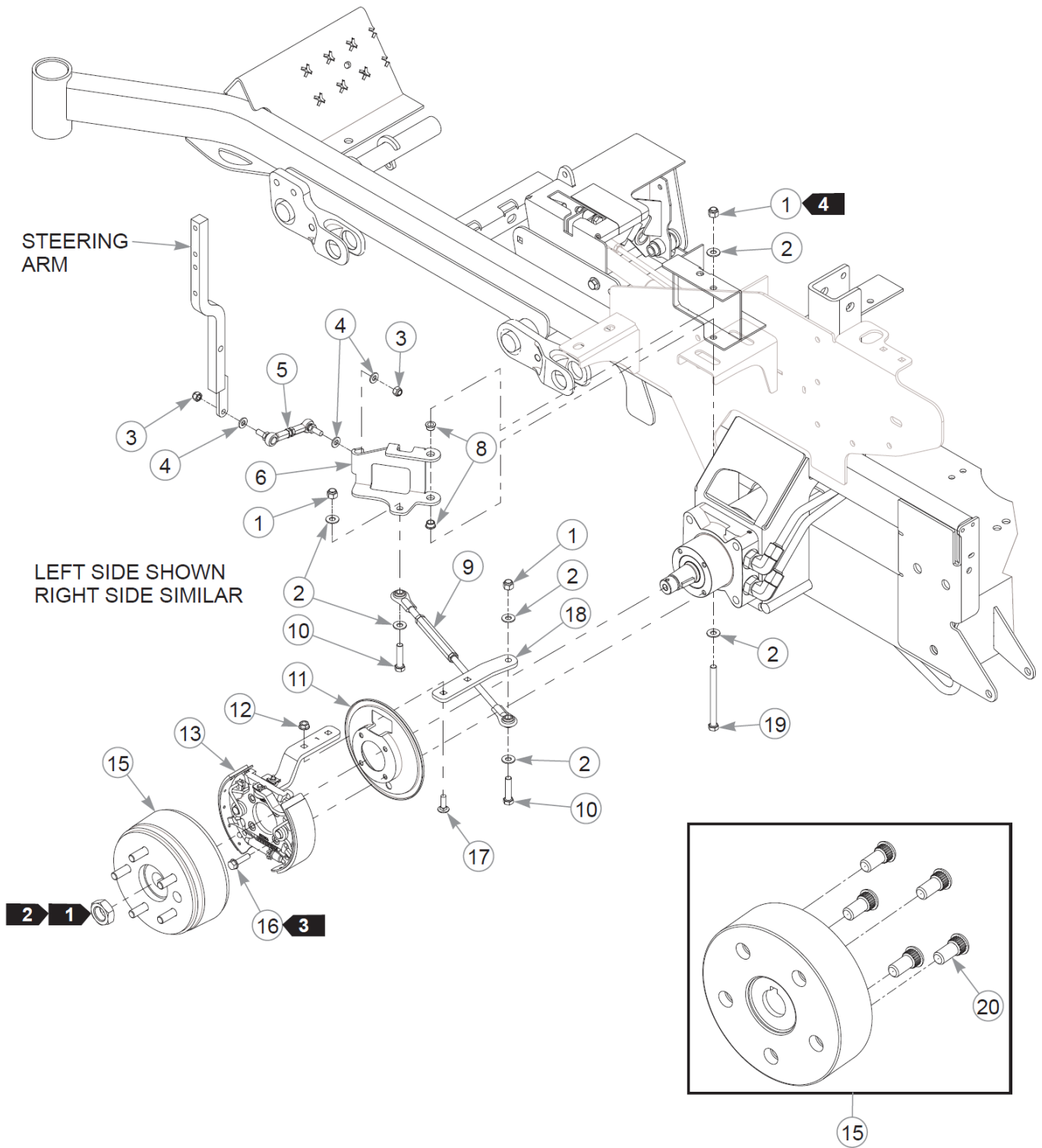


Steering Box Breakdown

Item	Part No.	Qty	Name
1	NSS	1	STEERING ARM W/A
2	086660	3	NT .375-16NLG8
3	767954	6	FW 0.379X.82X.06 HD ZN
4	705178	3	CS .375-16X1.750HXG5
5	112899	1	STEERING BOX W/A LH
Not Shown	112898	1	STEERING BOX W/A, RH
6	608000	2	BUSHING
7	348862	2	STEERLEVER BUSHING (PLA
8	047456	1	GM .750X.188X1.00X.12
9	797738	1	SS .500-13X2.000SH

Comments for Page: Steering Box Breakdown

1. Torque all hardware to 33 ft-lbs \pm 10%.

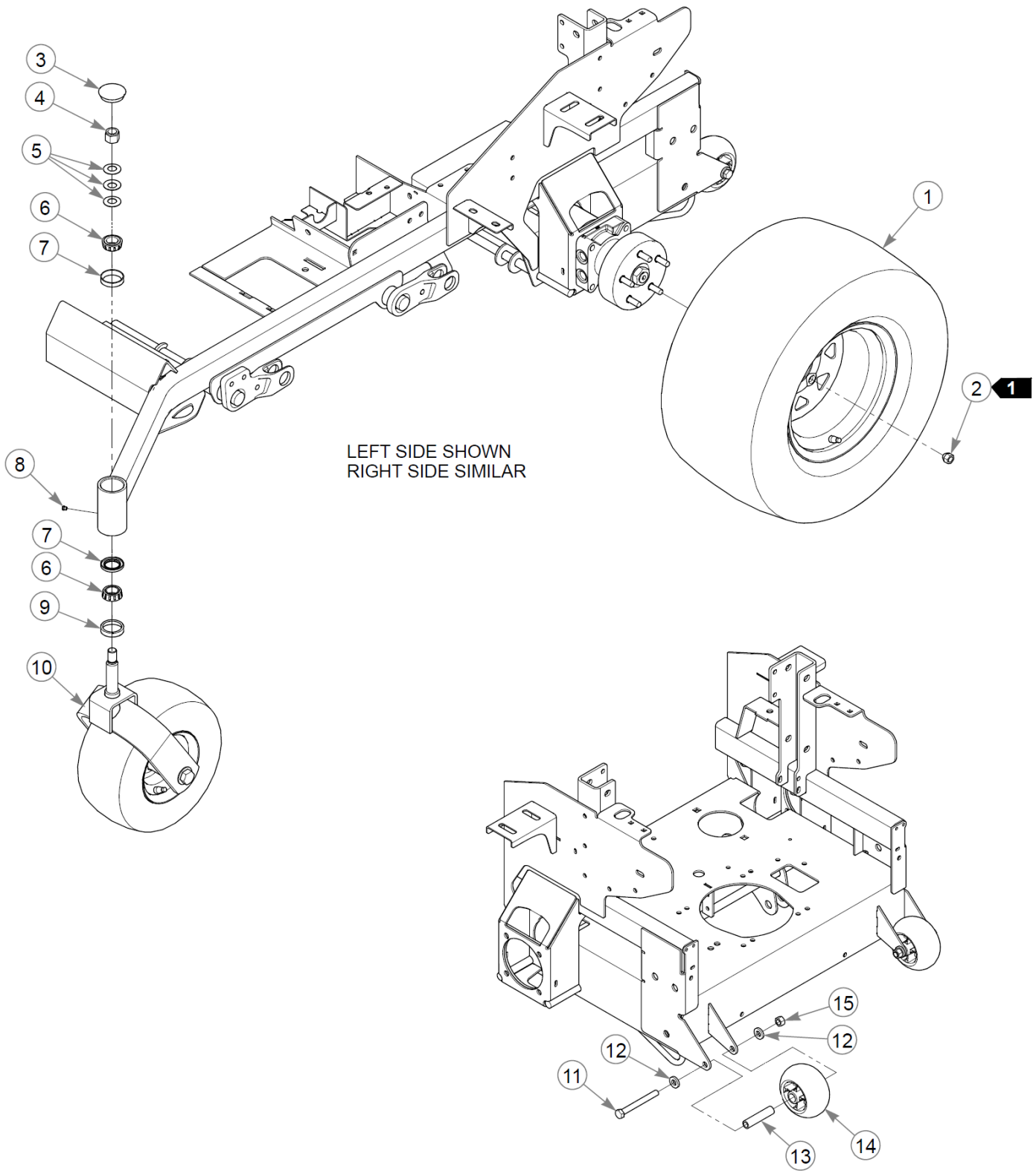


Brake

Item	Part No.	Qty	Name
1	086660	6	NT .375-16NLG8
2	767954	12	FW 0.379X.82X.06 HD ZN
3	023655	4	NT 0.312-24 NL G8
4	768523	6	FW 0.343SAE
5	781583	2	BRAKE ROD ASSEMBLY
6	126647-3	1	BELLCRANK, LH
7	126648-3	1	BELLCRANK, RH
8	765339	4	BUSHING,IGUS#0608 (FS)
9	350397	2	BRAKE LINK TURNBUCKLE A
10	705160	4	CS .375-16X1.625HXG5
11	607896	2	DUST SHIELD
12	016832	4	NT .312-18FLKG5
13	607894	1	BRAKE ASSY, LH
14	607895	1	BRAKE ASSY, RH
15	607893	2	DRUM HUB ASSEMBLY
16	607328	8	CS .312-18X1.25HXG8 FL
17	037887	4	CB .312-18X 1.000 FUL ZN
18	126349-3	2	EXTENSION, BRAKE ARM
19	052514	2	CS .375-16X4.500HXG5
20	606124	5	STUD 1/2-20 X 1 1/2"

Comments for Page: Brake

1. Included with the wheel motor.
2. Torque to 220–240 ft-lbs.
3. Torque to 27 ft-lbs. Replace (do not reuse) the cap screw if it is removed or loosened. Use only hand tools to install this fastener.
4. Do not torque; the nut should be snug, but allow the brake bellcrank to pivot freely.



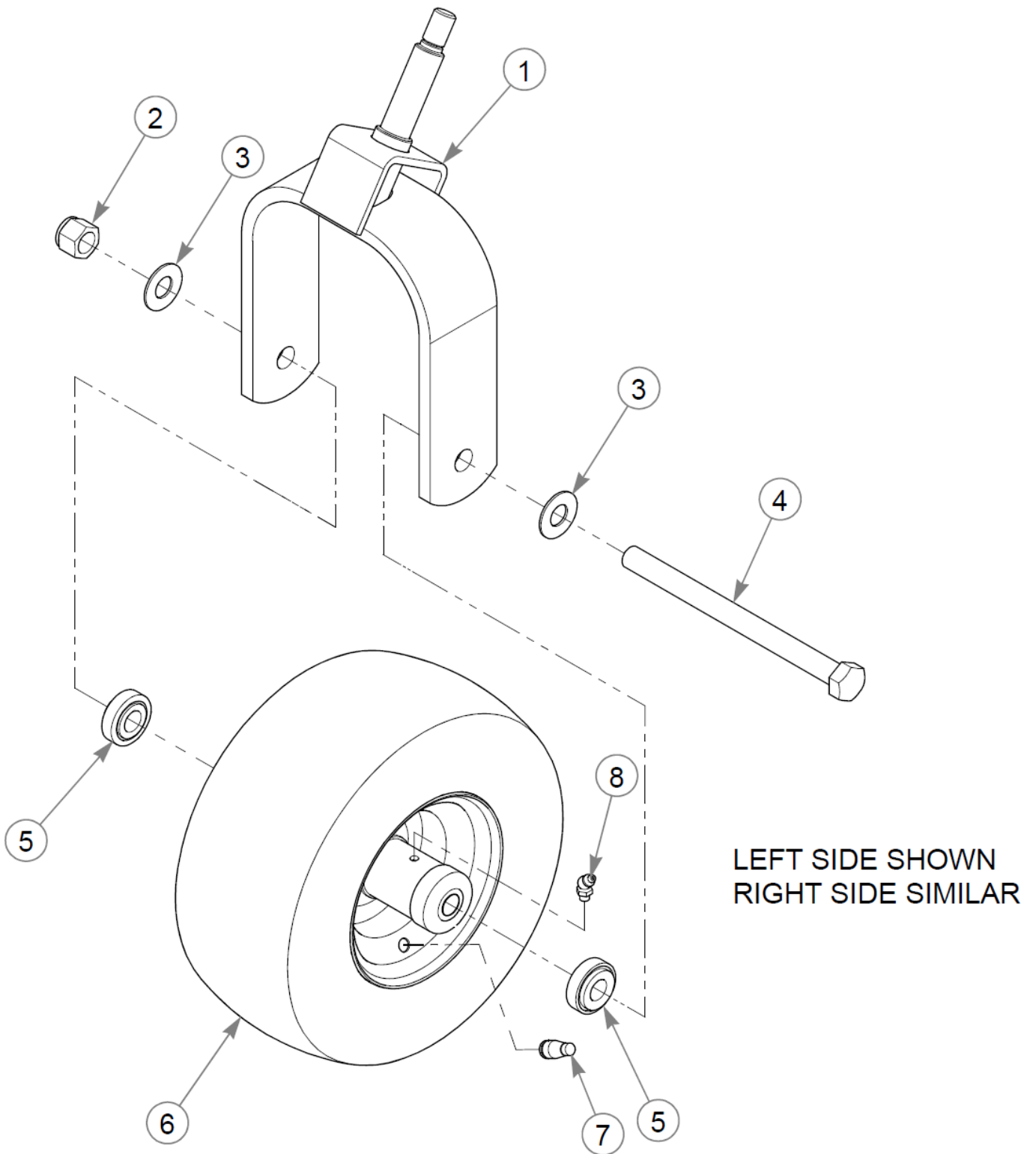
Wheels & Tires

Item	Part No.	Qty	Name
1	607539	2	TIR/WHL 26X12.00-12 BLK
2	061077	10	WHEEL NUT
3	606711	2	DUST CAP
4	061101	2	NT .750-10 HX ZN NL GR B
5	606715	6	CW 0.766 X 1.50 X .093
6	606712	4	BEARING, TAPERED ROLLER
7	606713	4	RACE, TAPERE ROLLER
8	606817	2	GREASE PLUG
9	606714	2	SEAL, 1.25 X 1.98
10	N/A	2	REFER TO "FRONT WHEEL ASSEMBLY"
11	068239	2	CS .500-13X4.500HXG5
12	767962	4	FW .531 x 1.063 x .175
13	602345	2	SPACER, ANTI-SCALP 3.22
14	602263	2	WHEEL, ANTI-SCALP
15	008193	2	NT .500-13HXG5

Comments for Page: Wheels & Tires

1. Torque to 65–75 ft-lbs.

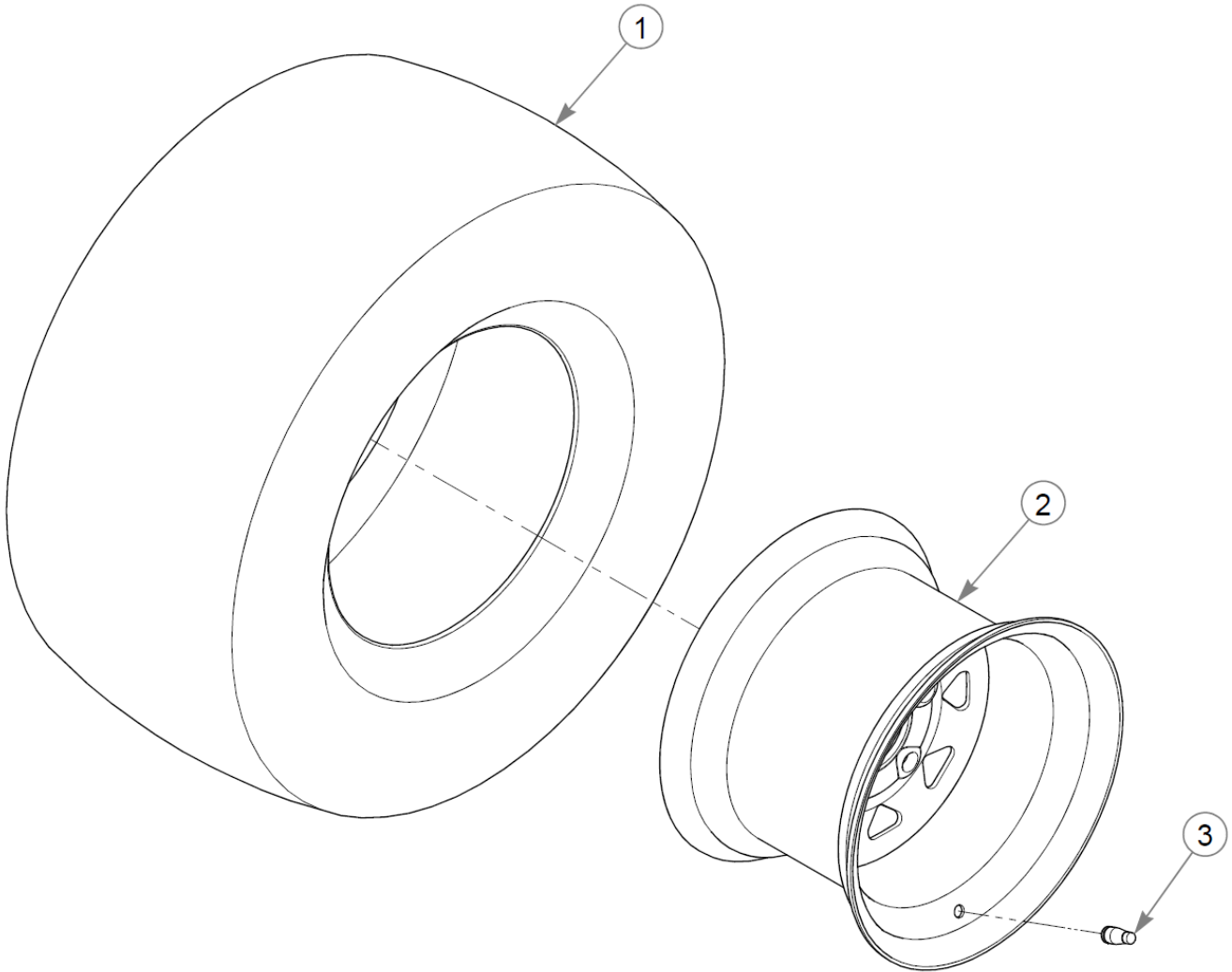
Front Wheel Assembly



Front Wheel Assembly

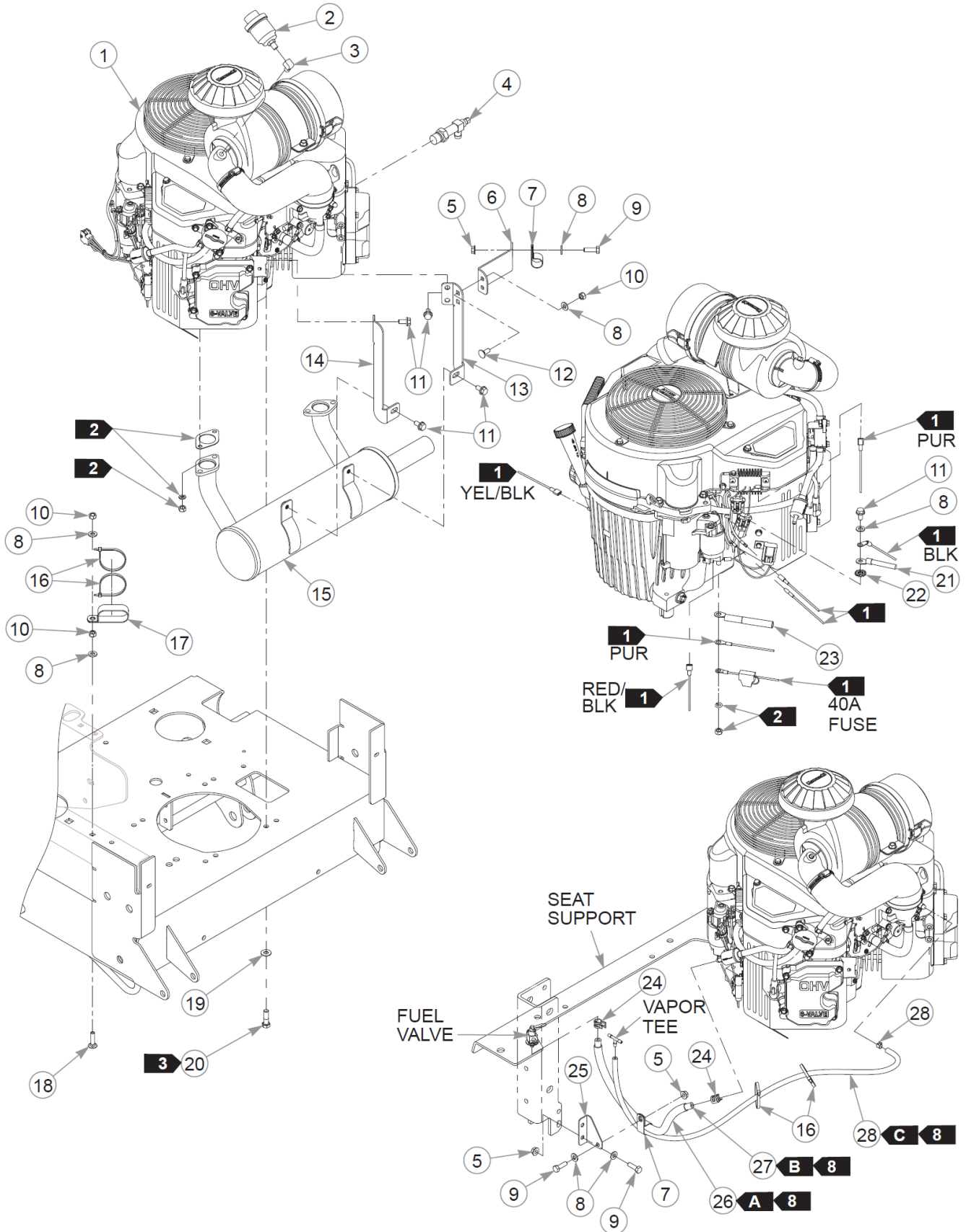
72" RD Super Z HD Parts Manual - 941567 - HTSHDR072KAWFX1000VA

Item	Part No.	Qty	Name
1	123644-1	1	W/A, CASTER FORK
2	061101	1	NT .750-10 HX ZN NL GR B
3	025296	2	FW .760X1.63X0.08 ZN
4	041475	1	CS .750-10X9.50 HX G5 ZN
5	606753	2	BEARING, TAPERED ROLLER
6	606745	1	TIR/WHL 13X6.50-6 BLK
7	019521	1	TIRE VALVE TR-412 GOODY
8	606126	1	GREASE FITTING, M8X1.0



Drive Wheel Assembly

Item	Part No.	Qty	Name
1	603775	1	TIR 26X12.00-12 B6R GRMR
2	607536	1	WHL 12X8.50 5X4.5 BLK
3	019521	1	TIRE VALVE TR-412 GOODY



Engine & Muffler

Item	Part No.	Qty	Name
1		1	ENGINE, KAW FX1000V
2	788943	1	AIR FILTER INDICATOR
3	601216	1	FTG, ELBOW, STREET
4	796524	1	VALVE,OIL DRAIN M20x2.5
5	016832	4	NT .312-18FLKG5
6	606205	1	BRACKET, THROTTLE WIRE
7	043570	2	CLIP - HOSE - SINGLE(FS)
8	768523	9	FW 0.343SAE
9	034280	4	CS .312-18X0.750HXG5
10	034272	4	NT .312-18HXG5
11	720516	7	CS M8-1.25X16HX FL10.9
12	016253	2	CB .312-18X .750 FUL ZN
13	122504	1	BRACKET, MUFFLER RT
14	122505	1	BRACKET, MUFFLER LFT
15	606040	1	MUFFLER, FX1000V
16	000331	4	WIRE TIE, SMALL/SHORT
17	045088	1	HOSE CLAMP 1" (FS)
18	602827	1	CB .312-18X 1.250 ZN
19	767954	4	FW 0.379X.82X.06 HD ZN
20	602580	4	CS .375-16X1.25HXG8ZYP85
21	606440	1	BATTERY CABLE, NEGATIVE
22	029876	1	LW .312 INTEXT ZN
23	606439	1	BATTERY CABLE, POSITIVE
24	000323	2	CLIP, HOSE CLAMP
25	124221-3	1	BRACKET, FUEL LINE
25	605215	16"	FUEL LINE THERMAL SHIELD
<p>Comments for Part Num. 605215</p> <p>Sold by the foot.</p>			
26	015818	17"	FUEL LINE, 1/4"
<p>Comments for Part Num. 015818</p> <p>Sold by the foot.</p>			
27	603326	38"	VAPOR LINE, 3/16"

This page intentionally left blank

Item	Part No.	Qty	Name
Comments for Part Num. 603326			
Sold by the foot.			
28	603112	1	CLAMP, 3/16 FUEL

Comments for Page: Engine & Muffler

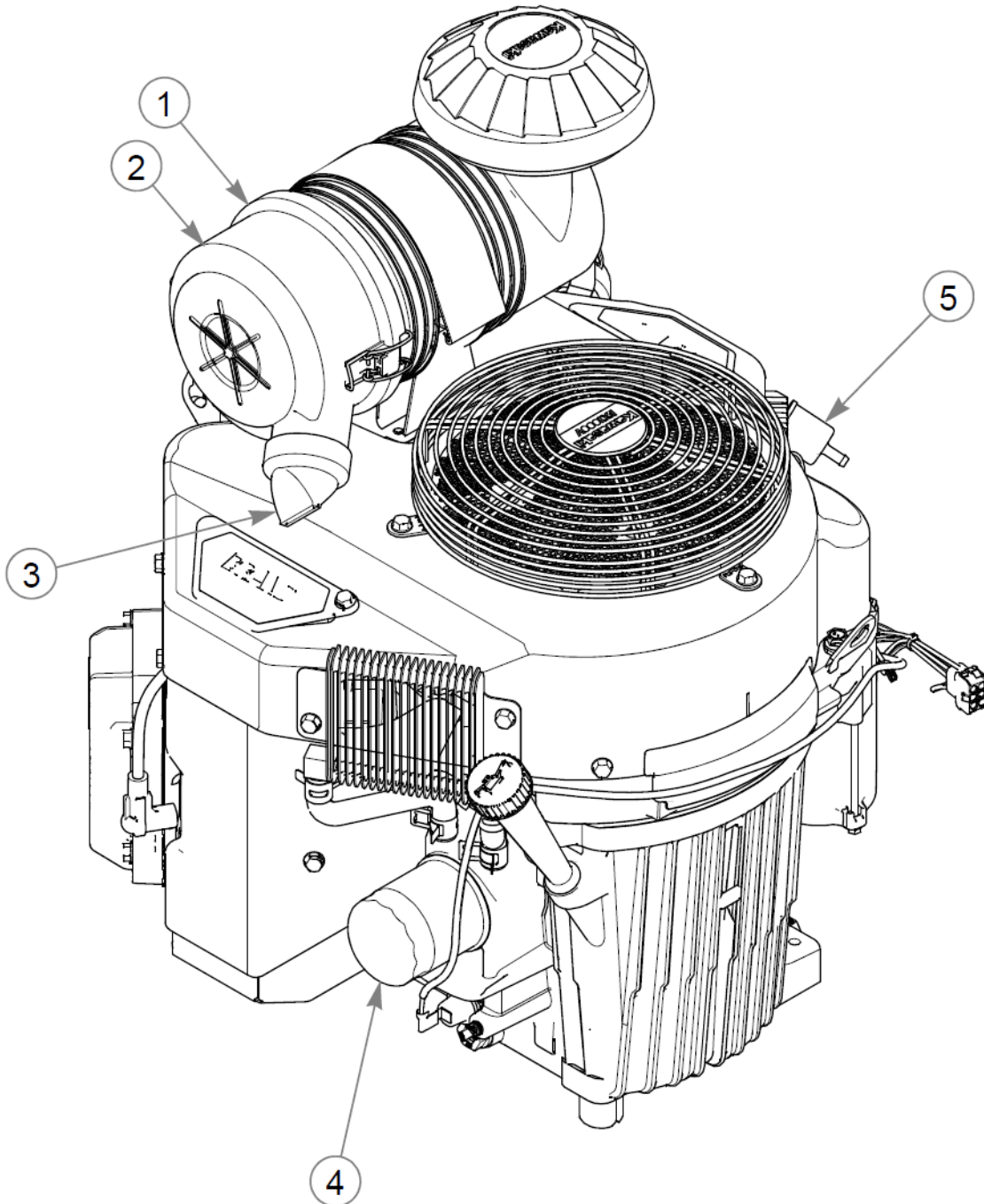
FUEL & VAPOR LINE LENGTHS

A: 16" FUEL LINE THERMAL SHIELD

B: 17" VALVE TO ENGINE (FUEL)

C: 38" TEE TO ENGINE (VAPOR)

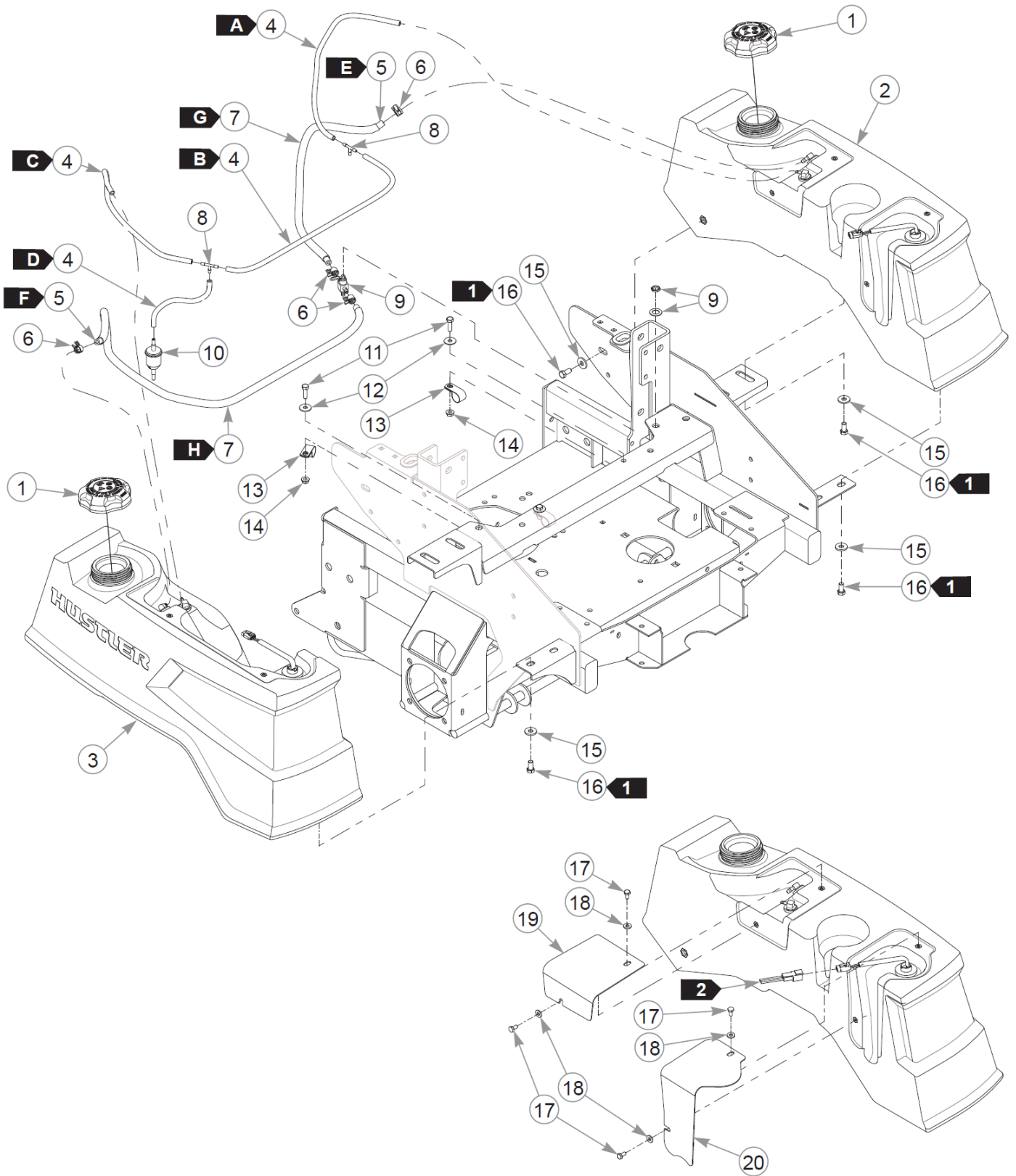
1. Part of the wire harness.
2. Supplied with the engine.
3. Torque to 44 ft-lbs. Replace (do not reuse) the cap screw if it is removed or loosened. Use only hand tools to install this fastener.
4. Torque to 17 ft-lbs.



Engine Service Parts - FX1000V

72" RD Super Z HD Parts Manual - 941567 - HTSHDR072KAWFX1000VA

Item	Part No.	Qty	Name
1	785261	1	AIR FILTER - MAIN
2	785279	1	AIR FILTER - SAFETY
3	763318	1	VALVE, VACUATOR
4	603138	1	ENGINE OIL FILTER
5	068478	1	FUEL FILTER - IN LINE



Fuel System

Item	Part No.	Qty	Name
1	603807	2	CAP, 3.5" RATCHETING GAS
2	607876	1	FUEL TANK ASM, LH FENDER
3	607877	1	FUEL TANK ASM, RH FENDER
4	603326	74"	VAPOR LINE, 3/16"
Comments for Part Num. 603326			
Sold by the foot.			
5	015818	67"	FUEL LINE, 1/4"
Comments for Part Num. 015818			
Sold by the foot.			
6	000323	4	CLIP, HOSE CLAMP
7	605215	65"	FUEL LINE THERMAL SHIELD
Comments for Part Num. 605215			
Sold by the foot.			
8	604281	2	TEE, 3/16" PLASTIC
9	745059	1	FUEL VALVE 3-WAY
10	604323	1	VAPOR SYSTEM FILTER
11	036236	3	CS .312-18X1.000HXG5
12	079210	3	FW 0.344X1.0X0.06 ZN
13	043570	3	CLIP - HOSE - SINGLE(FS)
14	016832	3	NT .312-18FLKG5
15	712919	10	FW 0.406X1.00X.12 HD ZN
16	055822	10	CS .375-16X0.75 HX G5 ZN
17	055947	4	CS .250-20X0.50 HX G5 ZN
18	768515	4	FW 0.281SAE
19	123182	1	COVER, FUEL LINES
20	123181	1	COVER, FUEL SENDER
21	000331	1	WIRE TIE, SMALL/SHORT

Comments for Page: Fuel System

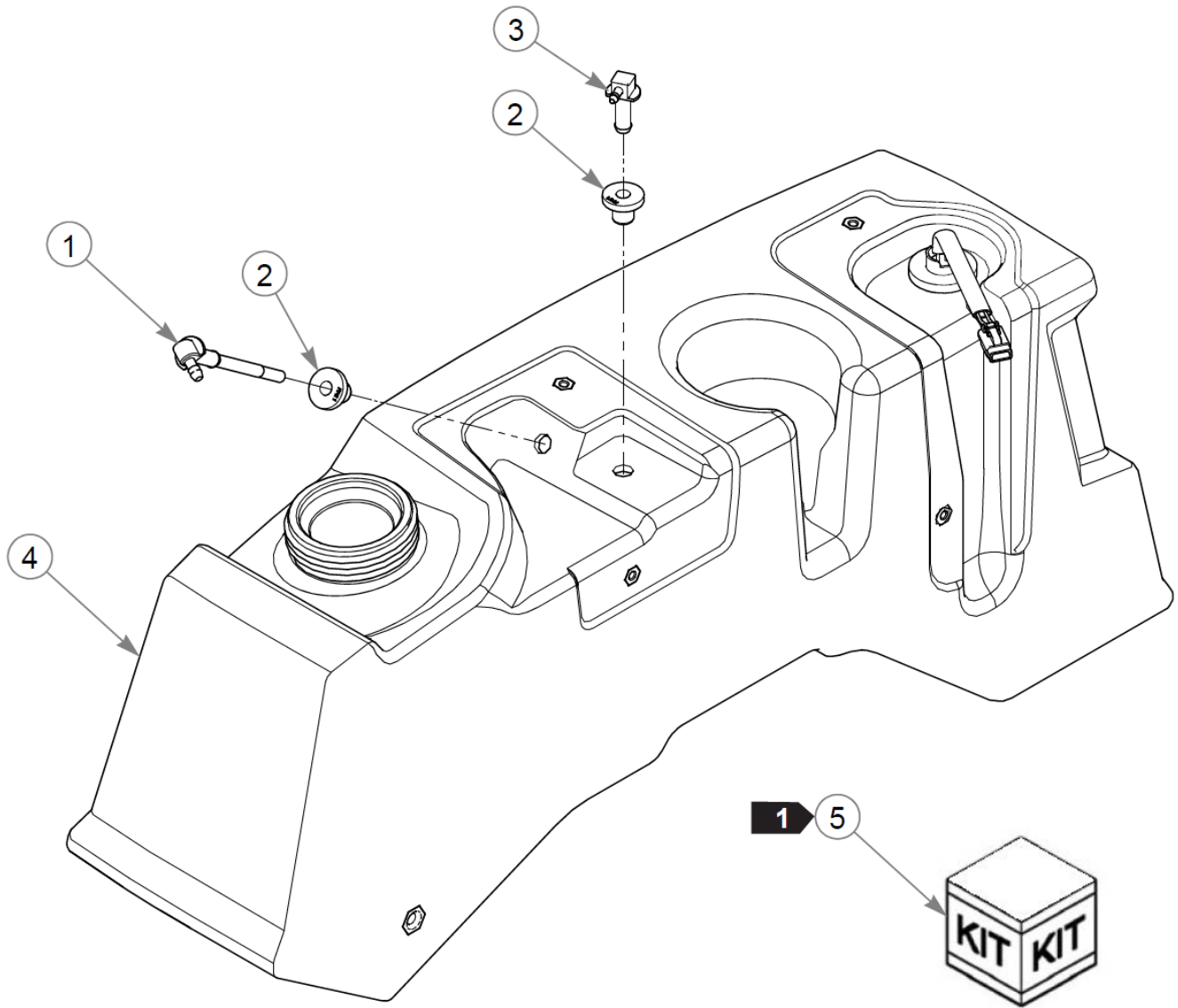
1. Torque to 16 ft-lbs.
2. Part of the wire harness.

FUEL & VAPOR LINE LENGTHS

Fuel System

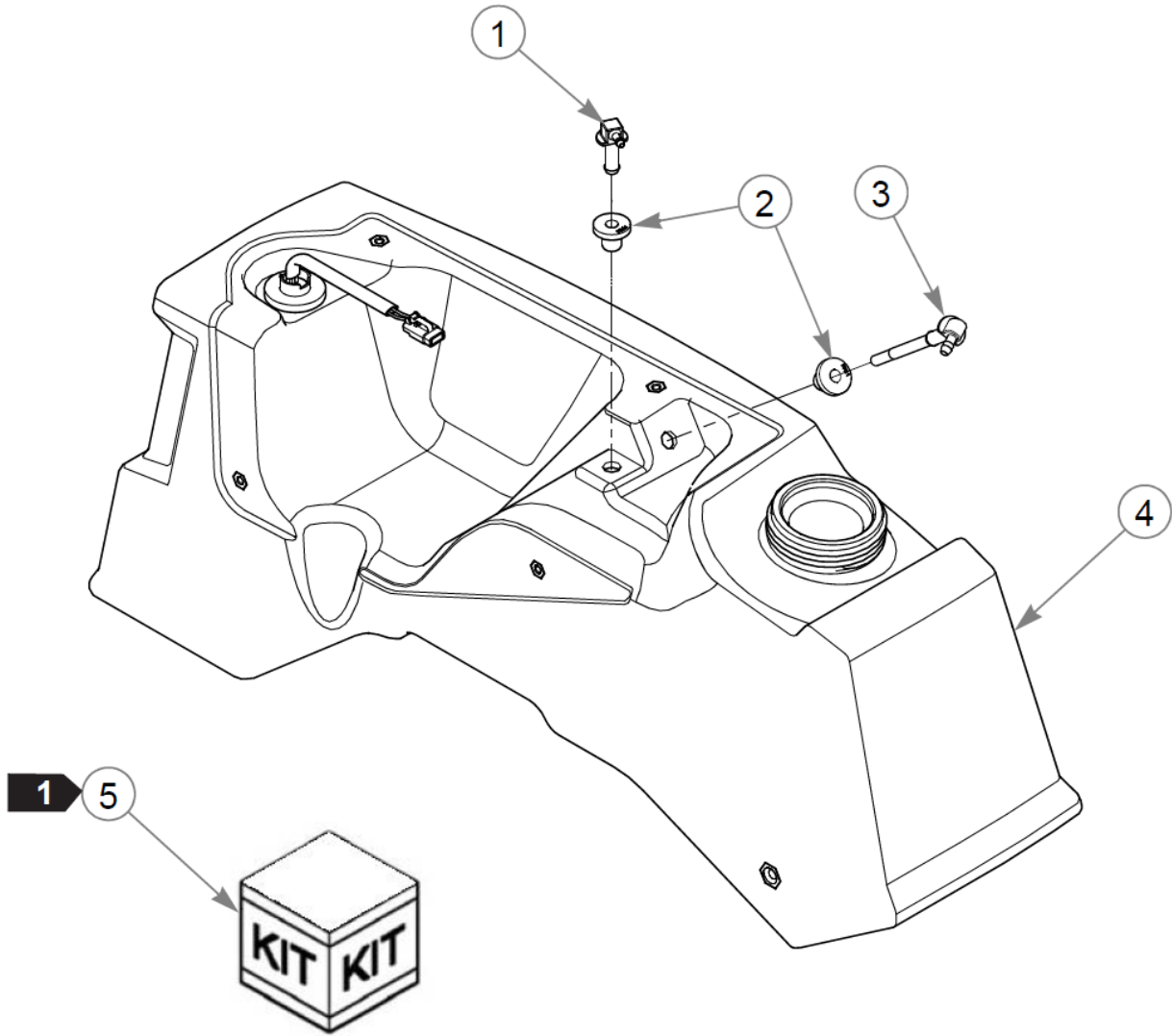
- A: 19" LEFT TANK TO TEE (VAPOR)
- B: 24" TEE TO TEE (VAPOR)
- C: 22" RIGHT TANK TO TEE (VAPOR)
- D: 9" TEE TO FILTER (VAPOR)
- E: 23" LEFT TANK TO VALVE (FUEL)
- F: 44" RIGHT TANK TO VALVE (FUEL)
- G: 22" FUEL LINE THERMAL SHIELD
- H: 43" FUEL LINE THERMAL SHIELD

This page intentionally left blank



LS Fuel Tank Service Parts - 607876

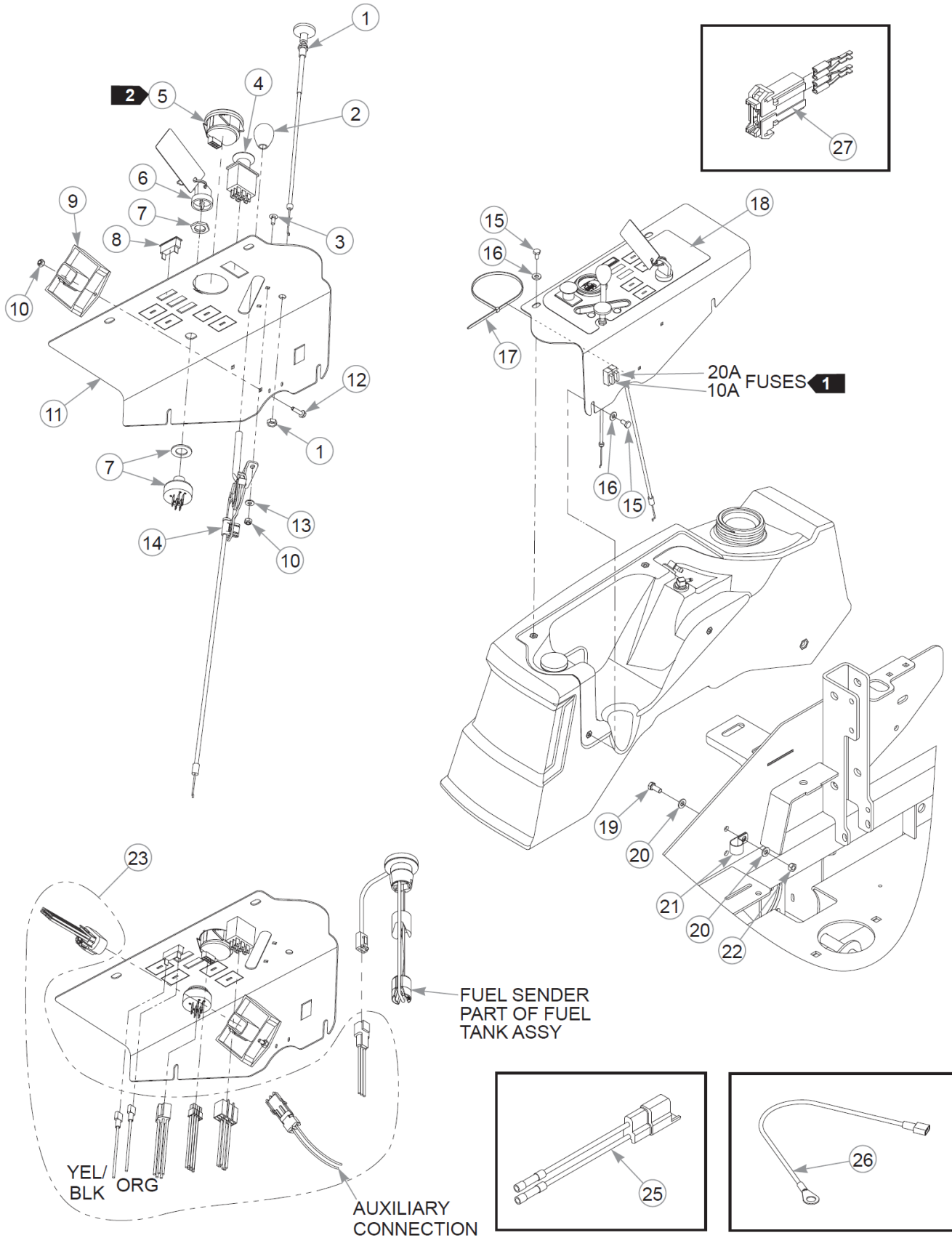
Item	Part No.	Qty	Name
1	605159K	1	SUCTION HOSE SVC KIT
2	604200K	2	GROMMET SVC KIT
3	604287K	1	VENT FITTING SVC KIT
4	606434	1	TANK, FENDER LH
5	607456K	1	SENDER SVC KIT
Not Shown	608041	1	FUEL GAUGE & SENDER KIT



RS Fuel Tank Service Parts - 607877

72" RD Super Z HD Parts Manual - 941567 - HTSHDR072KAWFX1000VA

Item	Part No.	Qty	Name
1	604287K	1	VENT FITTING SVC KIT
2	604200K	2	GROMMET SVC KIT
3	605159K	1	SUCTION HOSE SVC KIT
4	606433	1	TANK, FENDER RH
5	607456K	1	SENDER SVC KIT
Not Shown	608041	1	FUEL GAUGE & SENDER KIT

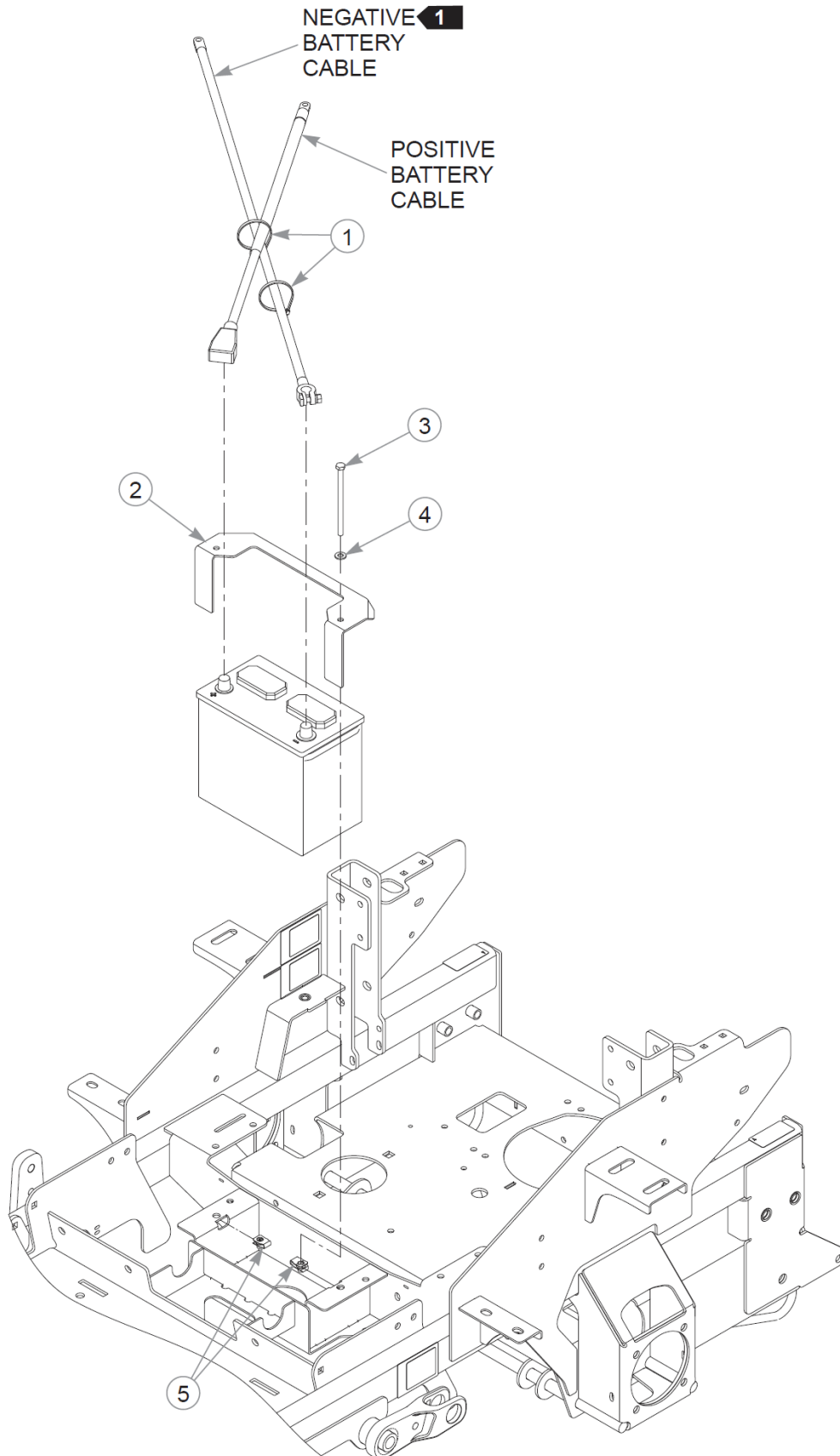


Instrument Panel & Wire Harness

Item	Part No.	Qty	Name
1	601095	1	CABLE, CHOKE
2	603523	1	KNOB
3	601098	2	CB 10-24 X .500 ZYNC
4	776476	1	SWITCH, PTO 6201-321
5	607451	1	GAUGE, DUAL NEEDLE 12V
Not Shown	608041	1	FUEL GAUGE & SENDER KIT
6	785808	1	KEY ASSEMBLY
7	045898	1	IGNITION SWITCH
8	712257	1	INDICATOR LIGHT, RED(FS)
9	604373	1	RELAY CONTROL MODULE
10	059832	4	NT #10-24 HX NL ZN
11	555786	1	SVC, INSTR PANEL
12	063198	2	CS #10-24X0.750FLKG5
13	704932	2	FW 0.219X.50X.05 ZN
14	603409	1	CABLE, THRTL 60"
15	055947	4	CS .250-20X0.50 HX G5 ZN
16	768515	4	FW 0.281SAE
17	000430	1	WIRE TIE, SMALL/LONG
18	606466	1	DECAL, INSTR PANEL
19	034280	1	CS .312-18X0.750HXG5
20	768523	2	FW 0.343SAE
21	043570	1	CLIP - HOSE - SINGLE(FS)
22	034272	1	NT .312-18HXG5
23	604241	1	WIRE HARNESS
24	000331	3	WIRE TIE, SMALL/SHORT
25	114052	1	KIT, CLUTCH CONN. REP.
26	606376	1	WIRE HARNESS, SZ
27	601047	1	HOLDER, FUSE

Comments for Page: Instrument Panel & Wire Harness

1. Part of the wire harness.
2. 607451 is used on mowers S/N 20070626 & HIGHER.
608041 is used on mowers S/N PRIOR TO 20070626.
3. The instrument panel includes the decal.

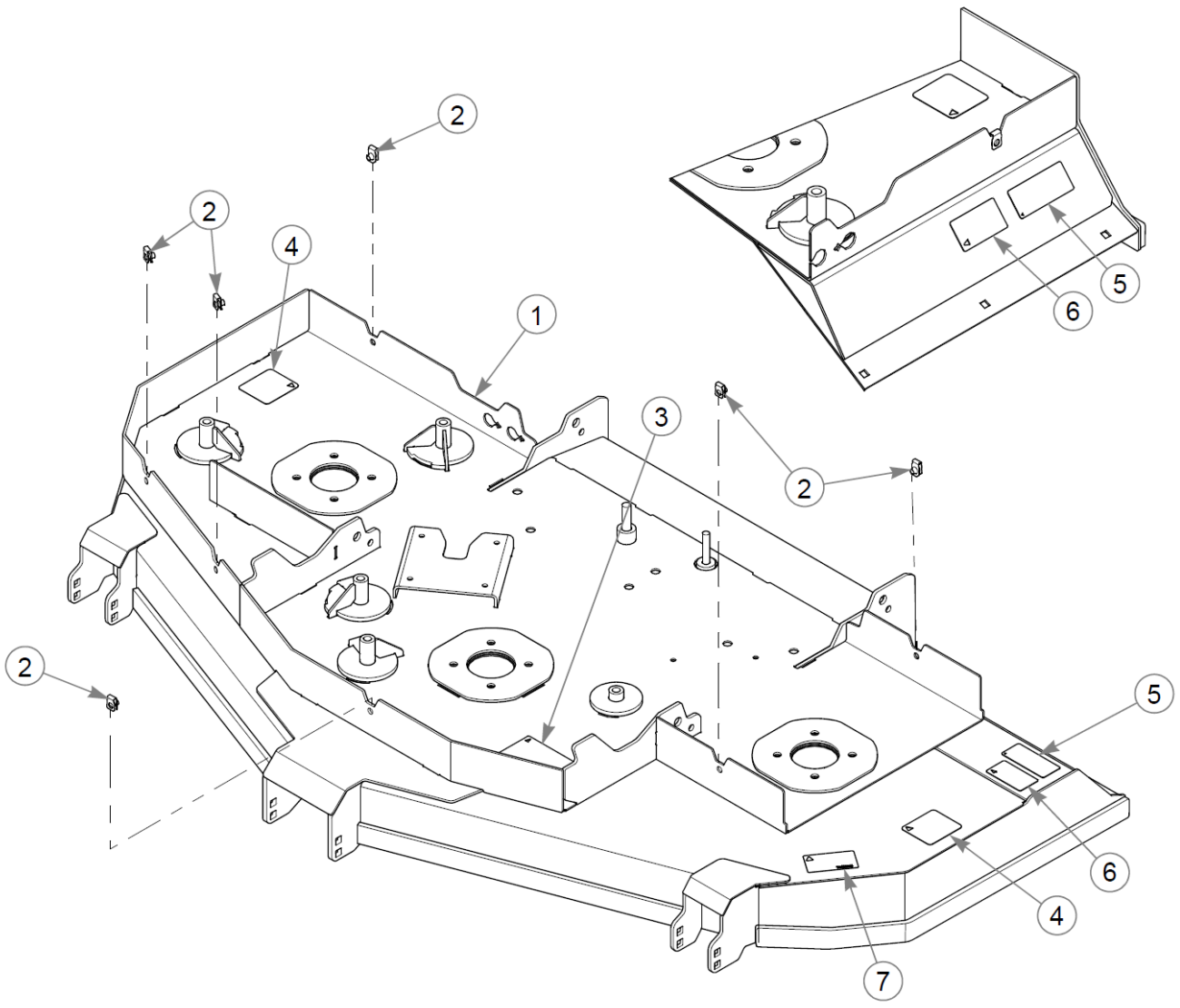


Battery

Item	Part No.	Qty	Name
1	000331	3	WIRE TIE, SMALL/SHORT
2	124387-1	1	BATTERY STRAP, SZ GRP 45
3	050823	2	CS .312-18X5.000HXG5
4	768523	2	FW 0.343SAE
5	601069	2	CN .312-18x.200 MAX THK

Comments for Page: Battery

1. When performing service on the mower, disconnect the negative battery cable and do not reconnect it to the battery until ready to start the engine.

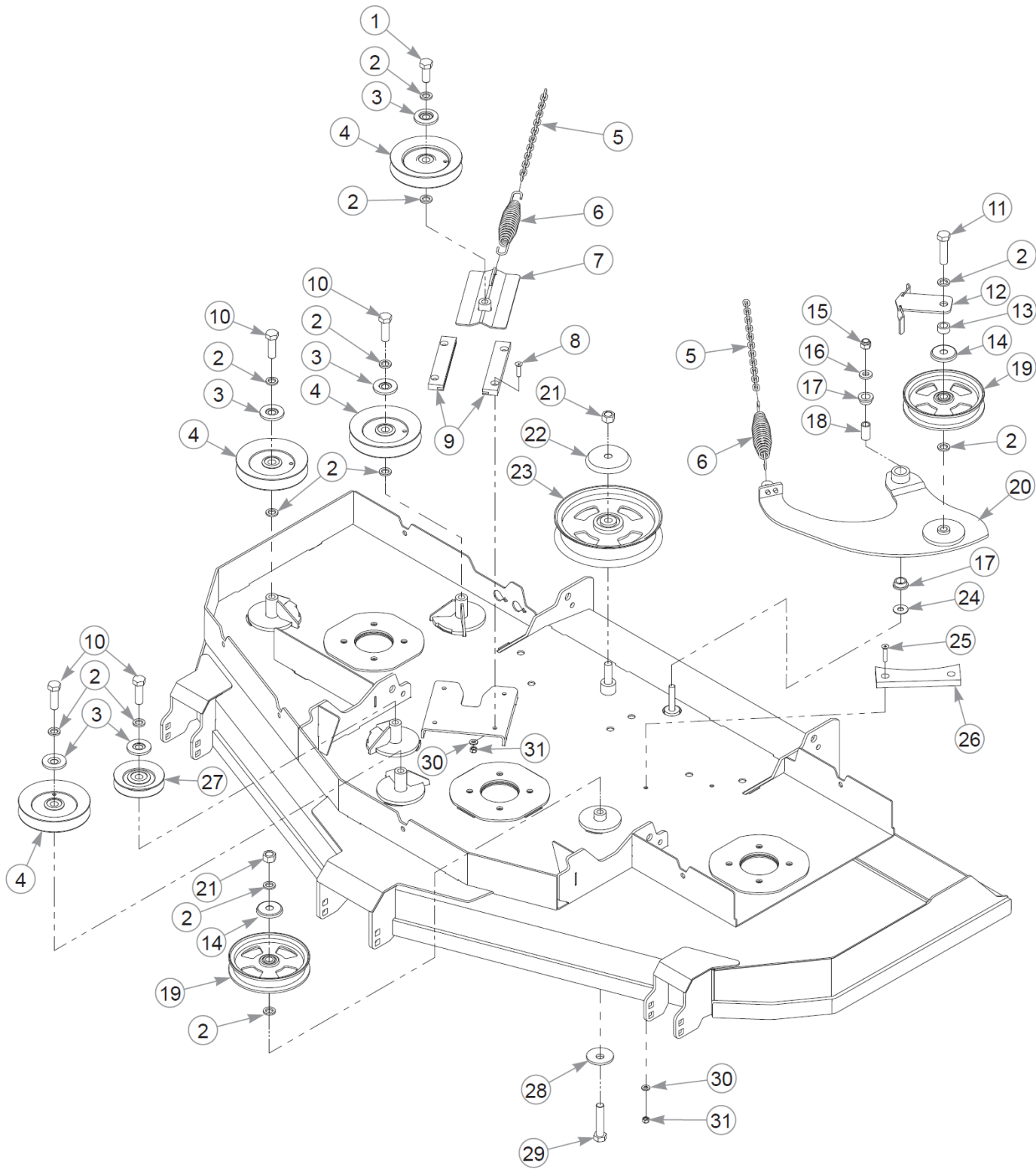


Service Deck

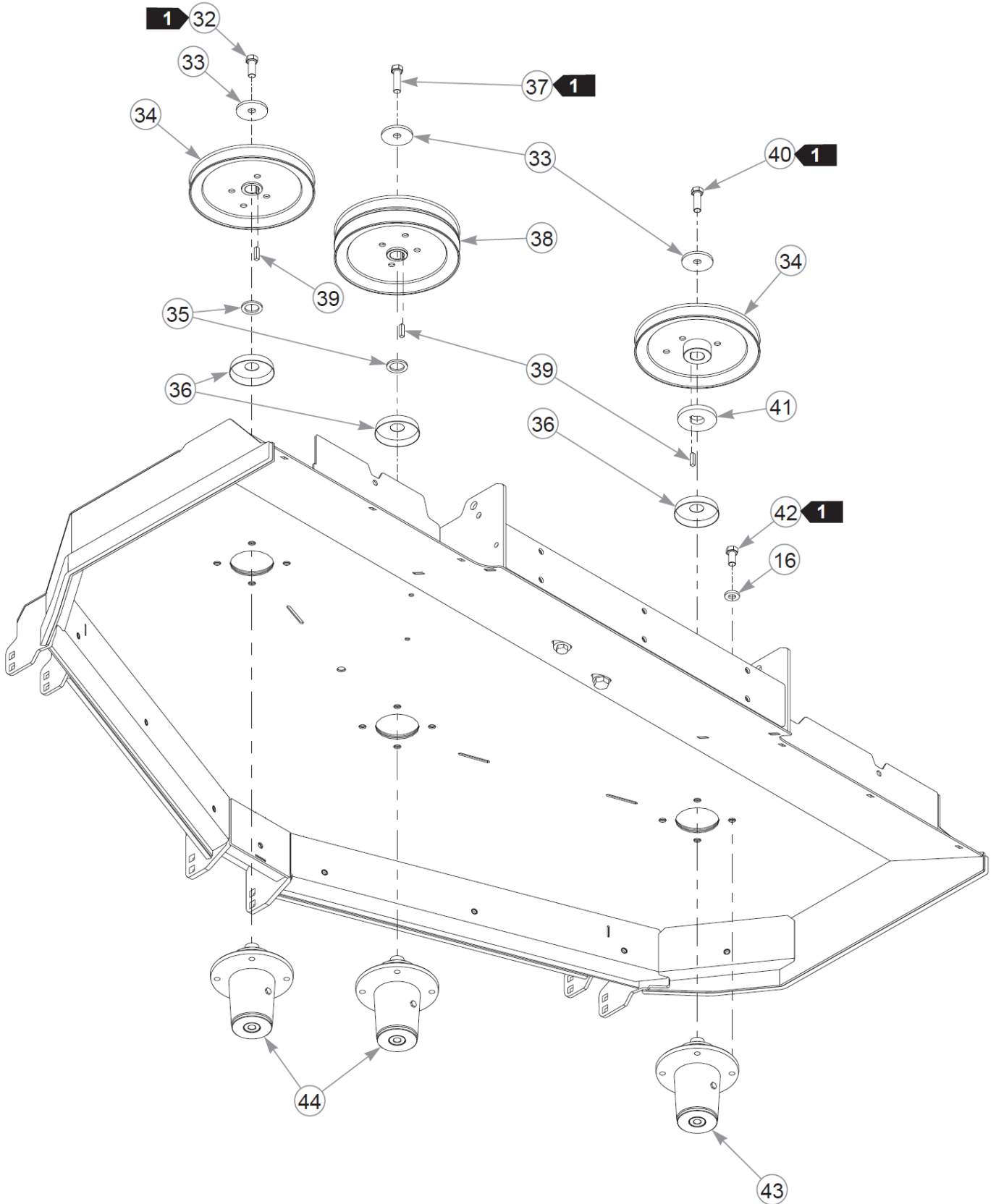
Item	Part No.	Qty	Name
1	554253	1	72" RD SERVICE DECK
2	601069	6	CN .312-18x.200 MAX THK
3	603349	1	DECAL, 2 BELT ROUTING
4	601837	2	DECAL, DECK DANGERS
5	601892	2	DECAL, THROWN OBJECTS
6	603391	2	DECAL, RUBBER FLAP
7	786285	1	DECAL, 72 DECK ID

Comments for Page: Service Deck

1. The deck includes decals and hardware.



This page intentionally left blank



Deck Pulleys & Spindles (Multi-Page)

72" RD Super Z HD Parts Manual - 941567 - HTSHDR072KAWFX1000VA

Item	Part No.	Qty	Name
1	794446	1	CS .625-11X1.500HXG5
2	028118	12	FW 0.625X1.00X.13 ZN
3	603057	5	DUST SHIELD W/OFFSET
4	602672	4	PULLEY, V-IDLER HBB 5.0"
5	373191	2	CHAIN, 21 LINK
6	781302	2	IDLER SPRING
7	114105	1	IDLER SLIDE W/A
8	784199	4	CS .312-18X1.250 FLT SH
9	601619	2	IDLER SLIDE UHMW RT & LT
10	016642	4	CS .625-11X2.000HXG5
11	025015	1	CS .625-11X2.500HXG5
12	113088	1	BELT GUIDE, W/A
13	603256	1	SPACER DECK IDLER 1/2"LG
14	608144	2	SHIELD, DUST
15	781567	1	NT .500-13NLG5
16	767962	13	FW .531 x 1.063 x .175
17	770867	2	BUSHING, PLAS .750x1(FS)
18	109549	1	BUSHING, IDLER PIVOT
19	602821	2	IDLER, 6.0" COMMERCIAL
20	114133	1	IDLER ARM W/A, RD DECK
21	016972	2	NT .625-11 HX G5 ZN
22	602963	1	DUST SHIELD, IDLER LG
23	602838	1	IDLER, 8.0" COMMERCIAL
24	704759	1	FW 0.500X1.25X.08 ZN
25	797910	2	CS .312-18x1.50FLT SH ZN
26	601779	1	IDLER GUIDE, UHMW
27	788364	1	IDLER PULLEY, NHI 4.288"
28	782474	1	CW .678 X 2.250 X .187
29	783738	1	CS .625-11X3.000HXG5
30	768523	6	FW 0.343SAE
31	058776	6	NT .312-18NLG5
32	705954	1	CS .500-13X1.25 HX G5 ZN
33	752386	3	CW .515X 2.25X .204 BLK
34	602746	2	PULLEY, DRIVE 8.41 EFF
35	045765	2	FW 1.030X1.50X.13 HD ZN
36	607409-4	3	DUST SHIELD

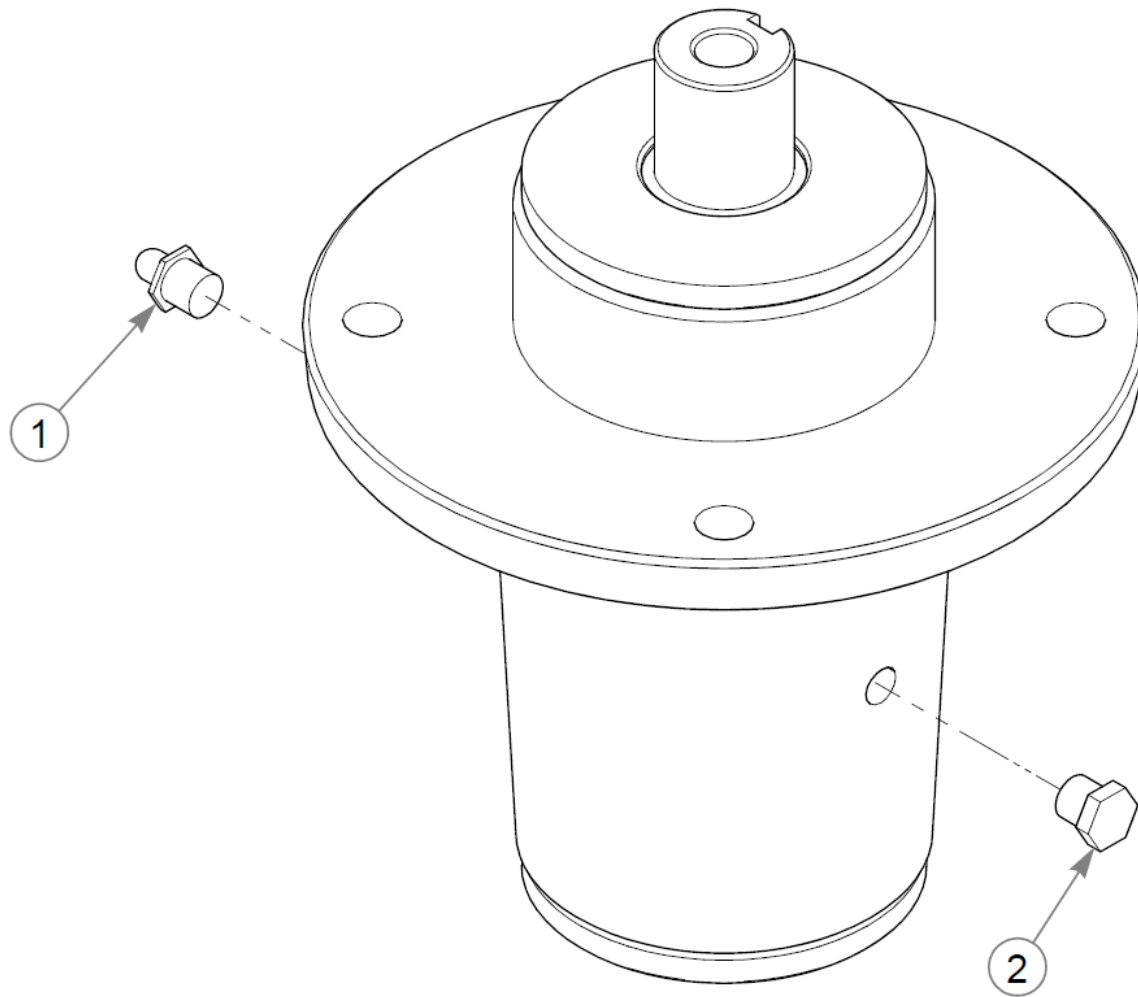
This page intentionally left blank

Deck Pulleys & Spindles (Multi-Page)

Item	Part No.	Qty	Name
37	017616	1	CS .500-13X1.750HXG5
38	603226	1	DOUBLE PULLEY, 8.41" EFD
39	212472	3	KEY 1/4 SQ X 1.00 LG(FS)
40	074252	1	CS .500-13X1.50 HX G5 ZN
41	114108	1	SPACER 3/8" THICK
42	016527	12	CS .500-13X1.000HXG5
43	607408	1	SPINDLE ASSY, DUCTILE
44	607407	2	SPINDLE ASSY, DUCTILE

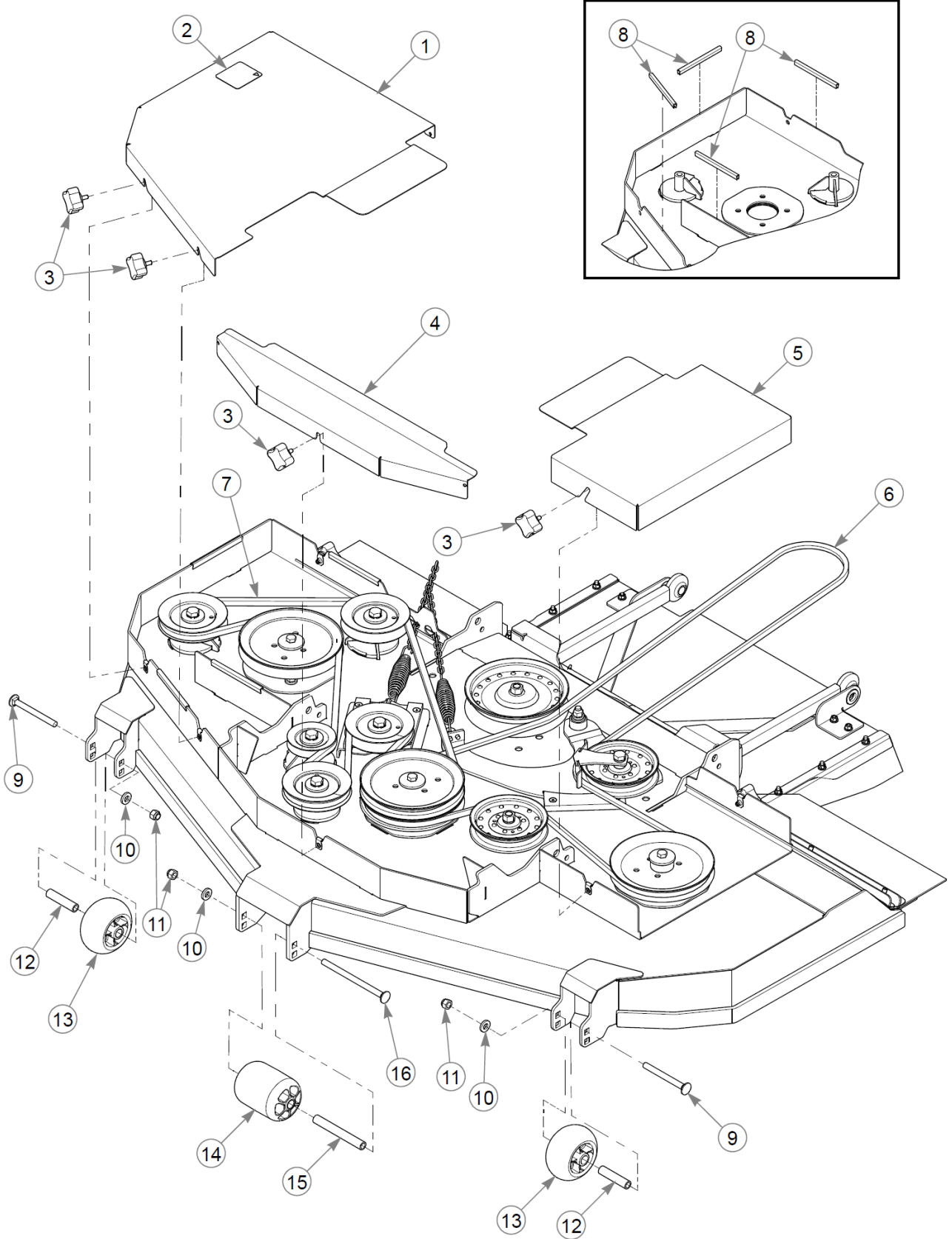
Comments for Page: Deck Pulleys & Spindles (Multi-Page)

1. Torque to 65–75 ft-lbs.

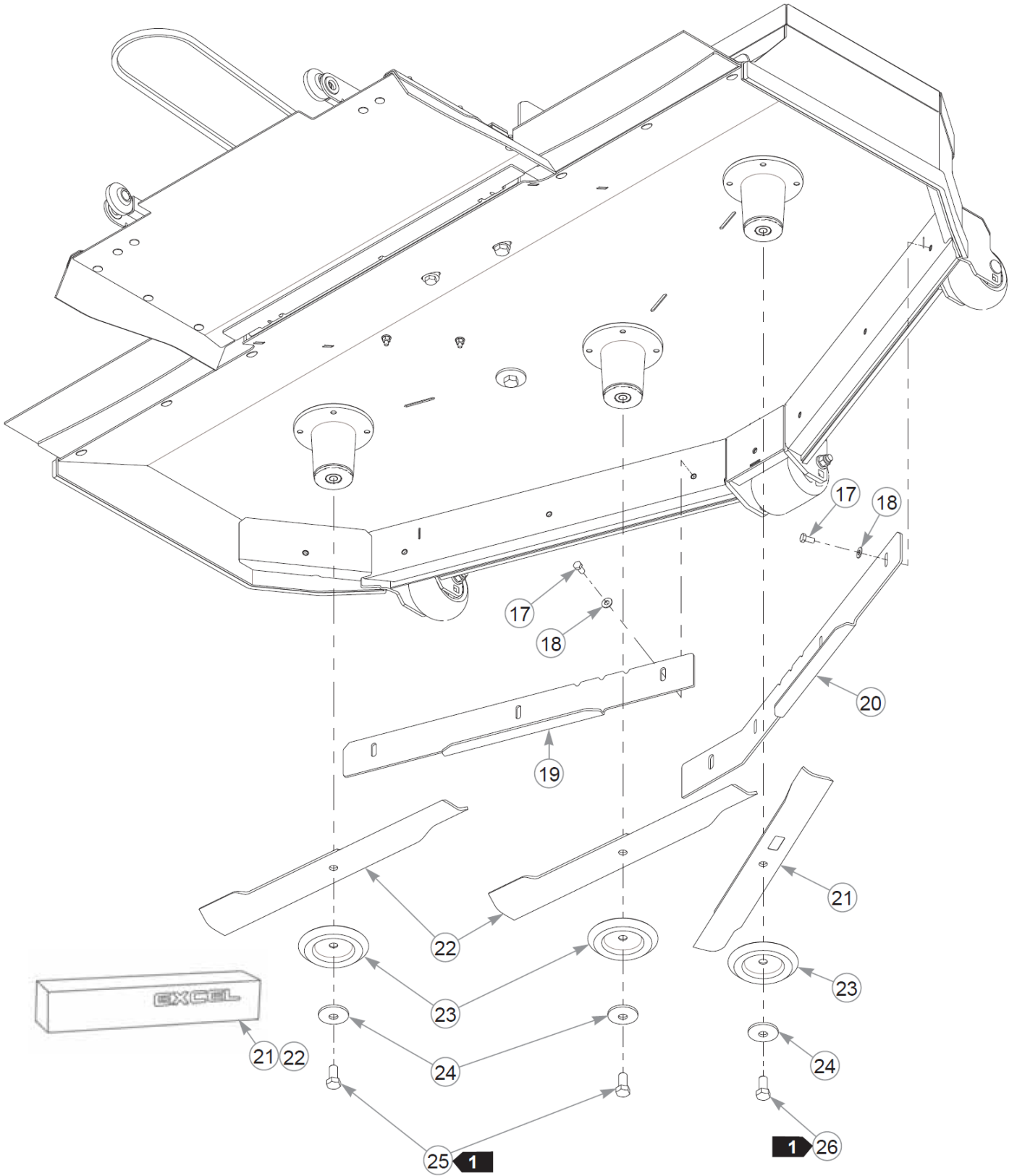


Spindle Assembly Service Parts - 607407 & 607408

Item	Part No.	Qty	Name
1	607477	1	GREASE ZERK
2	607478	1	RELIEF FITTING



This page intentionally left blank



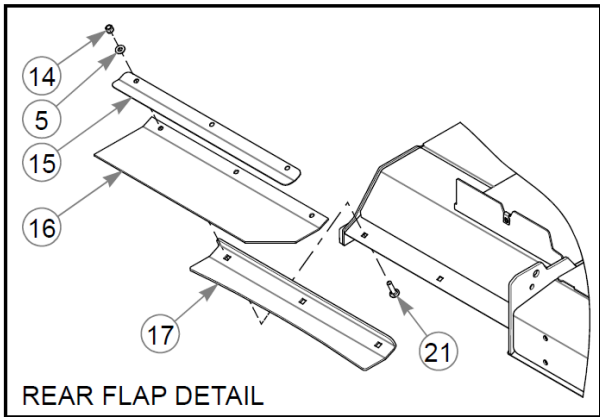
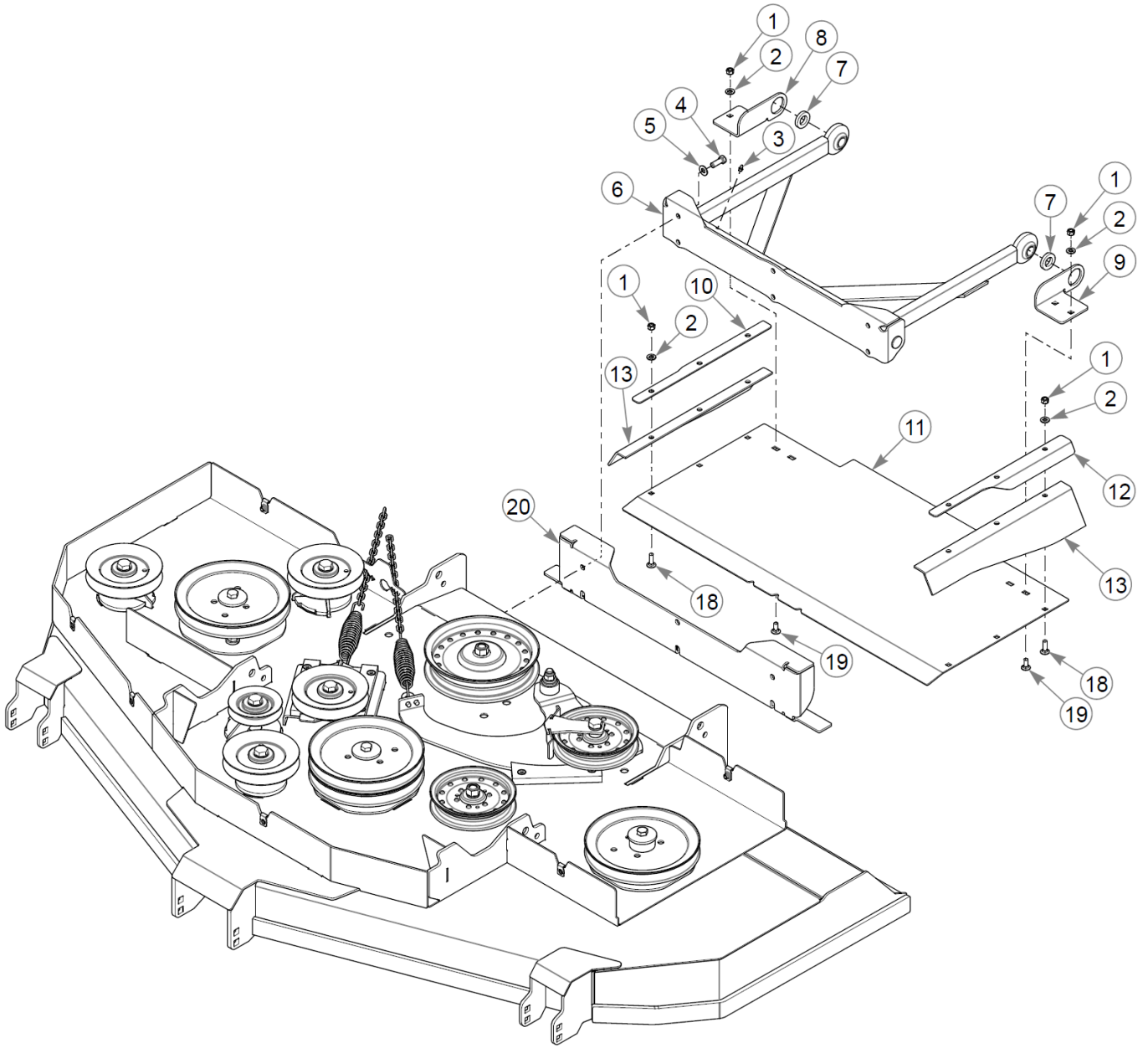
Item	Part No.	Qty	Name
1	554322	1	SVC, PULLEY COVER 72" RD
2	601837	1	DECAL, DECK DANGERS
3	792002	6	KNOB,5/16-18 X 3/4"MALE
4	123719-1	1	PULLEY COVER, CENTER 72"
5	123717-1	1	PULLEY COVER, LS 72"
6	601715	1	DECK BELT
7	603422	1	DECK BELT
8	111339	4	TRIM, FLEX 6" LENGTH
9	607288	2	CB .50-13X4.75 STD ZN
10	767962	3	FW .531 x 1.063 x .175
11	781567	3	NT .500-13NLG5
12	602345	2	SPACER, ANTI-SCALP 3.22
13	602263	2	WHEEL, ANTI-SCALP
14	602341	1	WHEEL, ANTI-SCALP
15	602344	1	SPACER, ANTI- SCALP 5.73
16	602338	1	CB .50-13 X 7.50 STD ZN
17	055822	7	CS .375-16X0.75 HX G5 ZN
18	767954	7	FW 0.379X.82X.06 HD ZN
19	114492	1	BAFFLE, ADJUST 72 LS RD
20	114491	1	BAFFLE, ADJUST 72 RS RD
21	796508	1	BLADE, F23.86-L-F-CCW
Not Shown	796508X	1	10PK BLADE, F23.86"-L-F-
Not Shown	601929	1	BLADE, 23.86" GAT-F-CCW
Not Shown	601929X	1	10PK BLADE, 23.86"-GAT-F
Not Shown	604164	1	BLADE, 23.86"-MUL-F-CCW
Not Shown	604164X	1	10PK BLADE, 23.86" MUL
22	796839	2	BLADE, F23.86-L-F-CW
Not Shown	796839X	1	10PK BLADE, F23.86"-L-F-
Not Shown	794867	2	BLADE, 23.86"-GAT-F-CW
Not Shown	794867X	1	10PK BLADE, 23.86"-GAT-F
Not Shown	793398	2	BLADE,23.86"-MUL-F-CW
Not Shown	793398X	1	10PK BLADE, 23.86"-MUL-F
23	114988	3	SHIELD, BLADE BOLT
24	782474	3	CW .678 X 2.250 X .187
25	781872	2	CS .625-11X1.250HXG5
26	604383	1	CS .625-11X1.250 G5 LHT

Comments for Page: Deck Belt, Discharge Chute, Pulley Covers & Blades (Multi-Page)

1. Torque to 118 ft-lbs.
2. The RS pulley cover includes the decal.

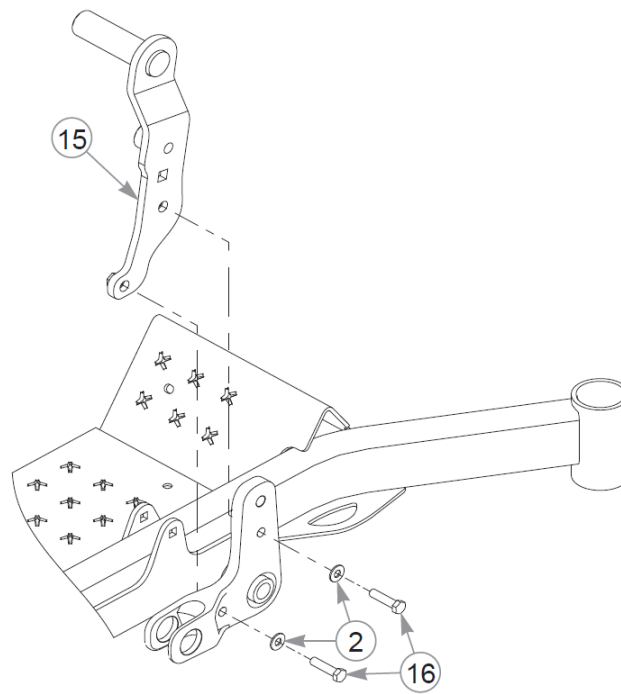
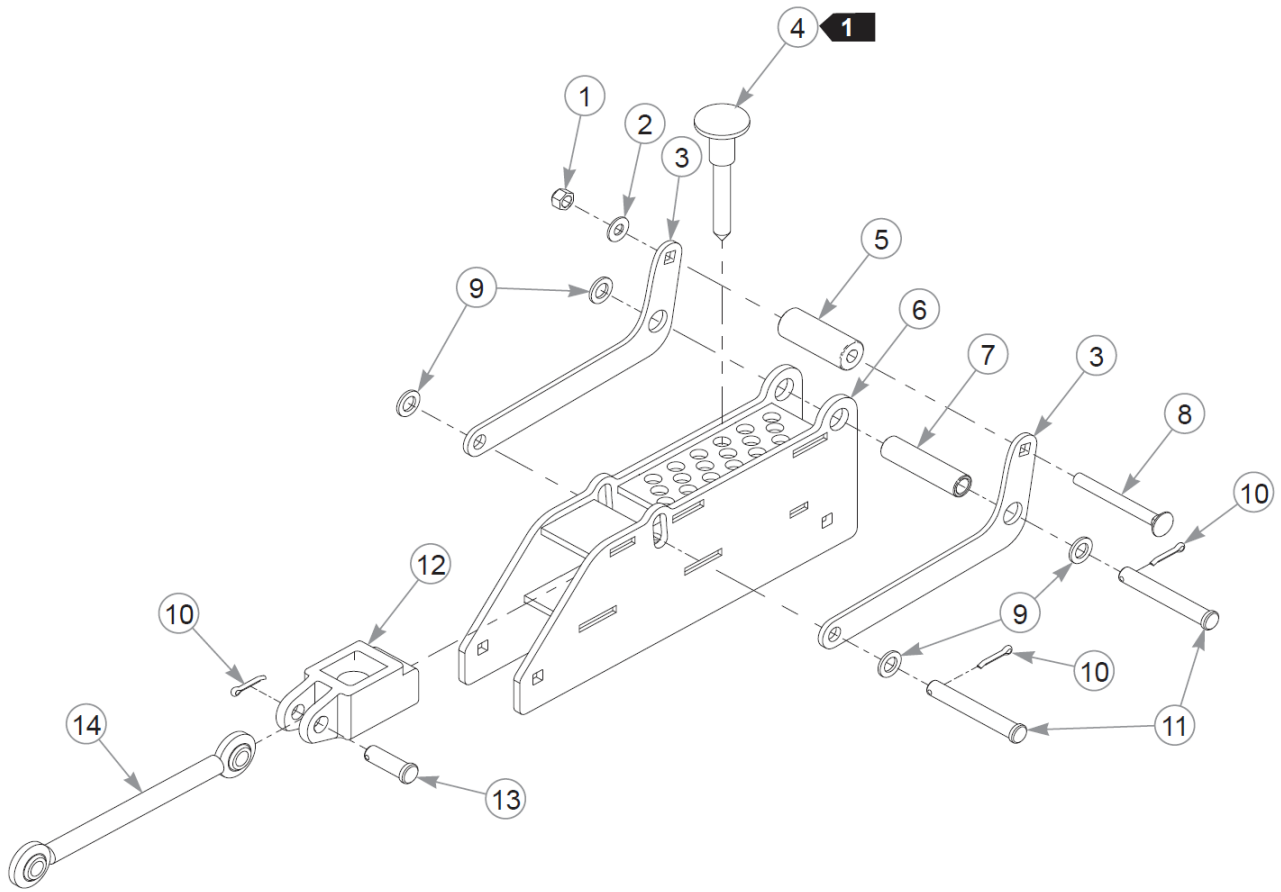
This page intentionally left blank

Dust Shield

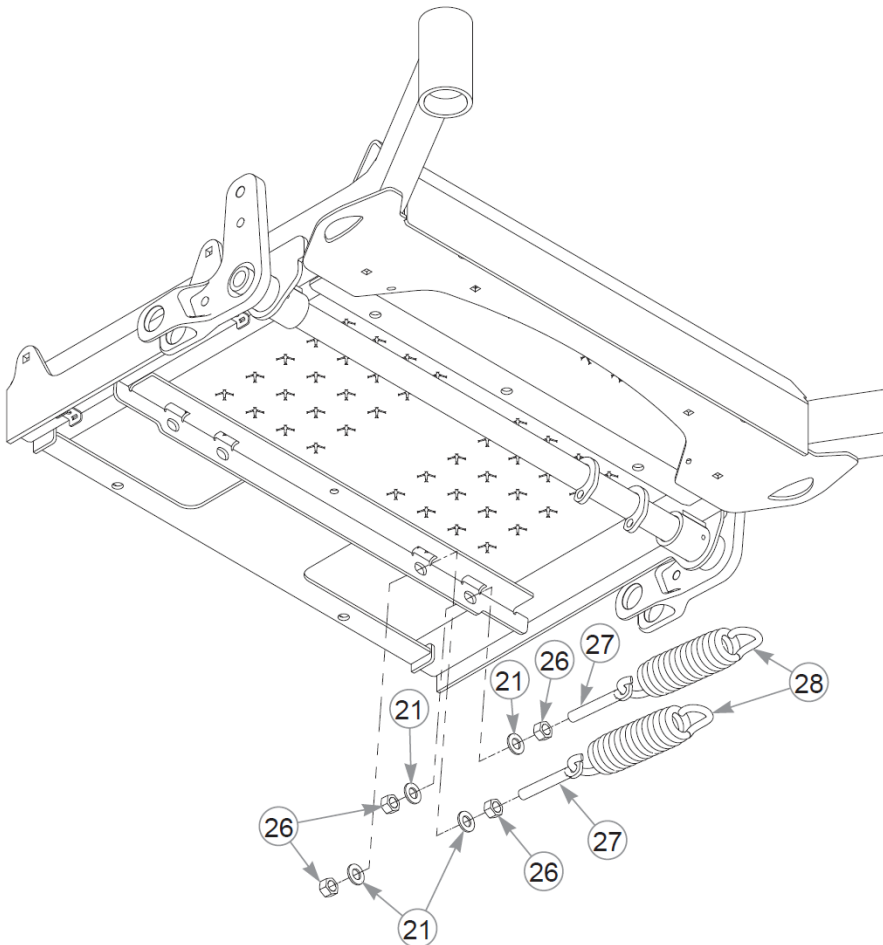
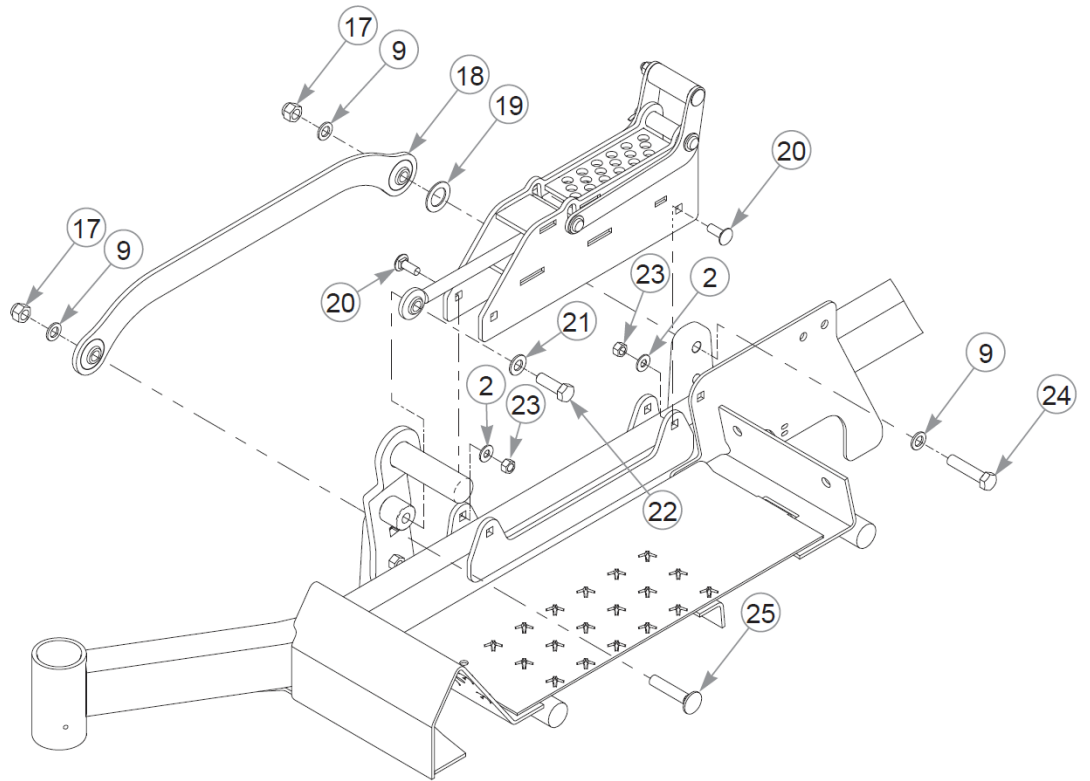


Dust Shield

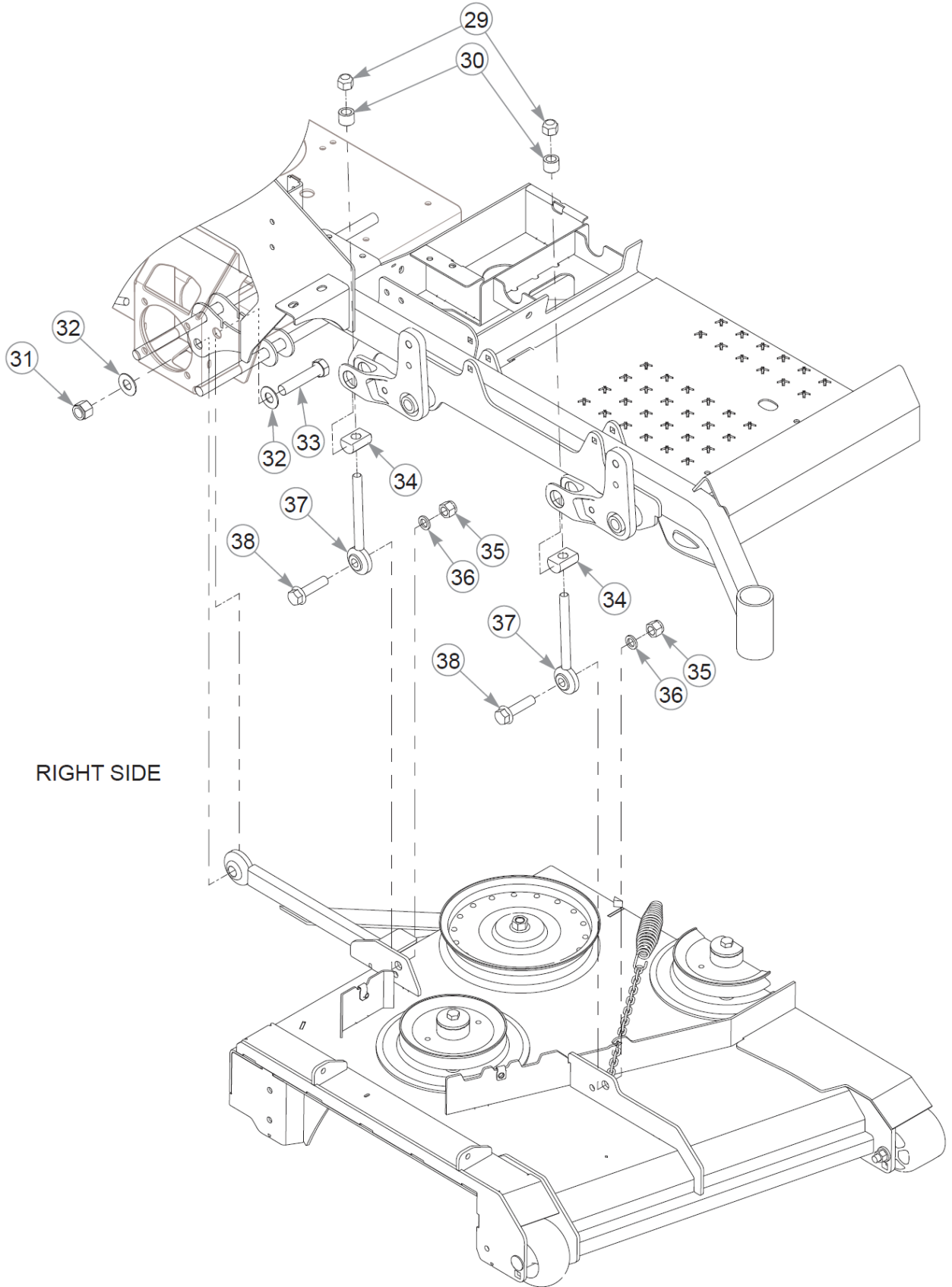
Item	Part No.	Qty	Name
1	058776	10	NT .312-18NLG5
2	768523	10	FW 0.343SAE
3	015495	2	GREASE FITTING STRAIGHT
4	036244	6	CS .375-16X1.00 HX G5 ZN
5	767954	12	FW 0.379X.82X.06 HD ZN
6	113340	1	PUSHER W/A, HZ/SZ
7	778399	2	FW .781X1.38X.25 ZN
8	109482	1	CHUTE BRACKET
9	109483	1	CHUTE BRACKET
10	109487	1	CLAMP ANGLE RS
11	114653	1	SHIELD, DUST 72" SZ RD
12	109486	1	CLAMP ANGLE LS
13	601483	2	SIDE FLAP, RUBBER
14	086660	6	NT .375-16NLG8
15	107712	2	ANGLE, 72" DISCH CHUTE
16	600930	2	FLAP, RD REAR 72"
17	101360	2	ANGLE, DECK STIFFENER
18	037887	6	CB .312-18X 1.000 FUL ZN
19	016253	4	CB .312-18X .750 FUL ZN
20	114522	1	STOP, REAR DECK W/A
21	710194	6	CB .375-16X 1.50 STD G5



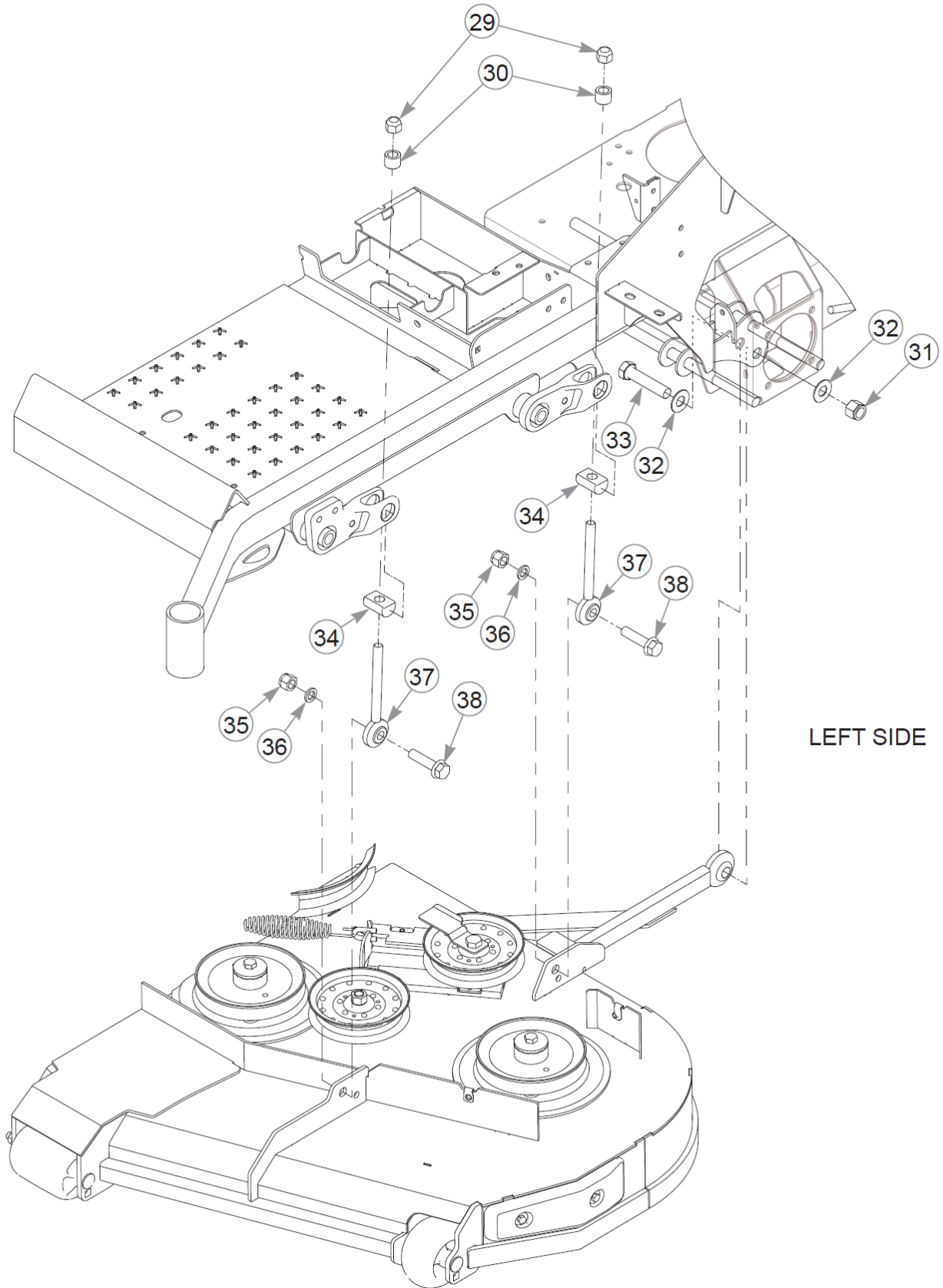
This page intentionally left blank



This page intentionally left blank



This page intentionally left blank



Deck Lift & Deck Height (Multi-Page)

72" RD Super Z HD Parts Manual - 941567 - HTSHDR072KAWFX1000VA

Item	Part No.	Qty	Name
1	086660	1	NT .375-16NLG8
2	767954	7	FW 0.379X.82X.06 HD ZN
3	124361-4	2	LATCH HANDLE
4	606918	1	MAGNETIC PIN, 1/2 x 3.13
5	117489	1	SPACER, LATCH
6	124357-1	1	DECK HEIGHT W/A
7	604075	1	SPACER, CYLINDER
8	041848	1	CB .375-16X 3.500 FUL Z
9	718288	7	FW .516X.88X.09 ZN
10	017251	3	CP .156DX1.000 LG HML Z
11	025965	2	CE .500X3.50 .156X3.34
12	606895	1	SLIDER, DECK LIFT
13	068056	1	CE .500X1.50 .150X1.32
14	122994	1	DECK HEIGHT LINK, W/A
15	124147-1	1	PEDAL WA, DECK LIFT
16	080655	2	CS .375-16X1.500HXG5
17	781567	2	NT .500-13NLG5
18	124145-4	1	W/A, DECK LINK
19	122996	1	LINK SPACER
20	025395	4	CB .375-16X 1.00 G5 ZN
21	004168	5	FW .531x1.00x.090 ZN
22	074252	1	CS .500-13X1.50 HX G5 ZN
23	054502	4	NT .375-16HXG5
24	761544	1	CS .500-13X2.250HXG8
25	604254	1	CB .50-13 X 2.50 STD ZN
26	008193	4	NT .500-13HXG5
27	606478	2	EB, .500-13X3.00 FULTHD
28	606454	2	SPRING, EXT 7.0 300LB/IN
29	604232	4	NT .625-18NLKG5
30	603903	4	DECK LEVEL SPACER
31	061101	2	NT .750-10 HX ZN NL GR B
32	025296	4	FW .760X1.63X0.08 ZN
33	789115	2	CS .750-10X3.500HXG5
34	603902	4	DECK LEVEL PIVOT
35	058768	4	NT .625-11 HXZN NY
36	028118	4	FW 0.625X1.00X.13 ZN

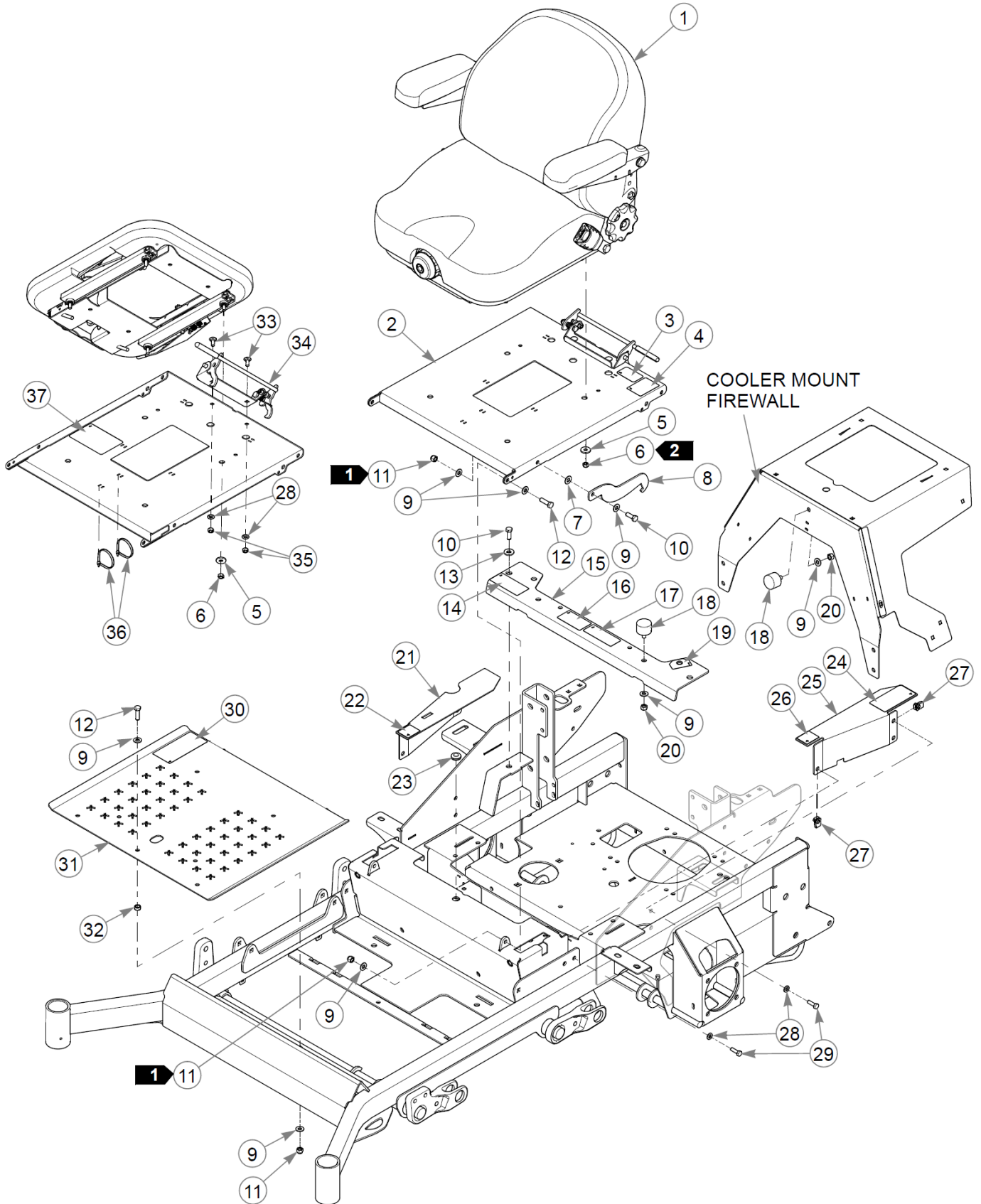
This page intentionally left blank

Deck Lift & Deck Height (Multi-Page)

Item	Part No.	Qty	Name
37	116732	4	W/A, DECK LEVEL ROD END
38	604043	4	CS .625-11x2.500FLGG5

Comments for Page: Deck Lift & Deck Height (Multi-Page)

1. The Top Pin Deck Height Kit includes items 3, 4, 6, & 12.



Seat & Floor Pan

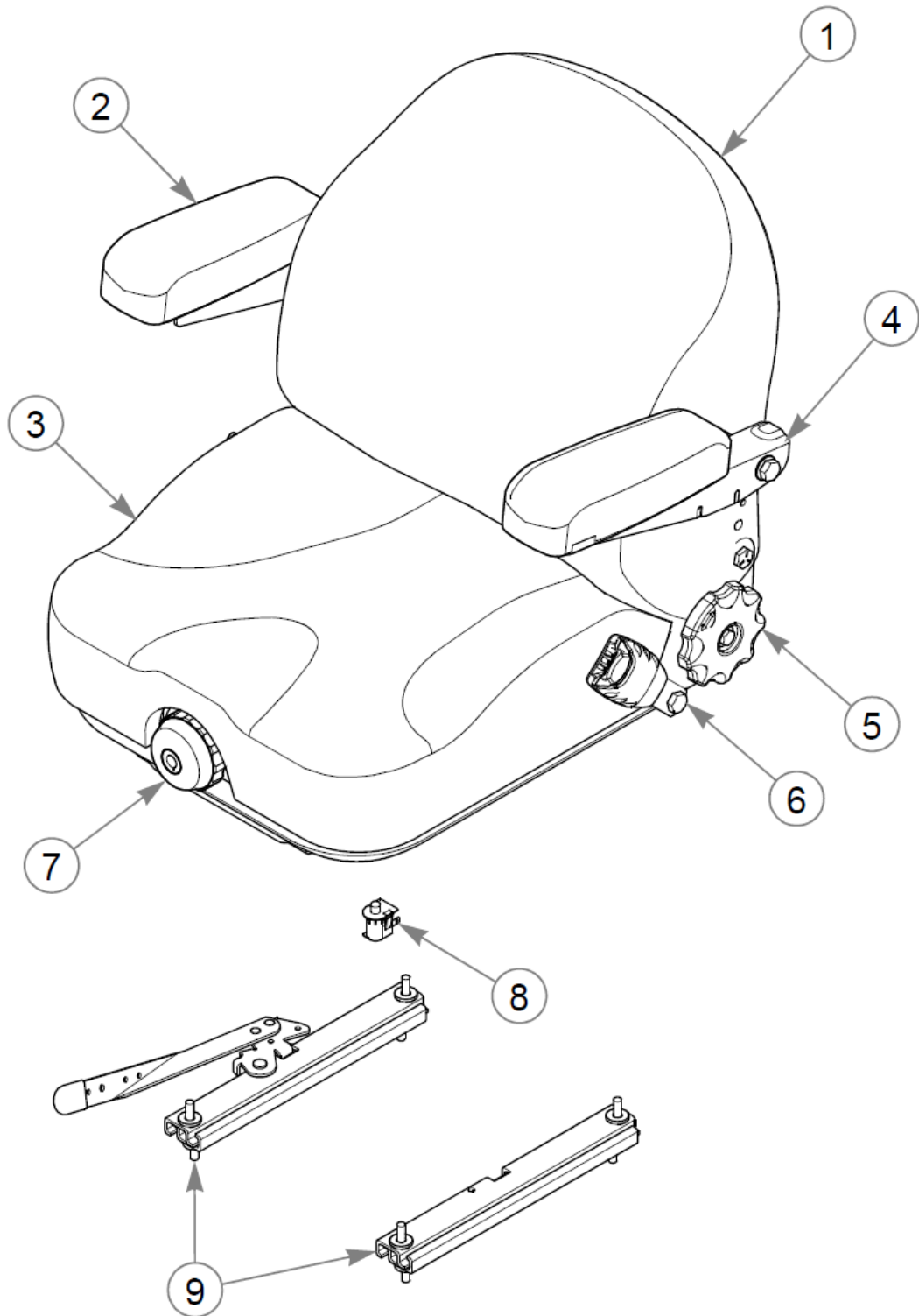
Item	Part No.	Qty	Name
1	607710	1	SEAT, I3M SEATS INC
2	555027	1	SVC, SEAT PAN
3	605688	1	DECAL, LEVEL FUEL FILL
4	785188	1	DECAL, Z ARMREST WARNING
5	712927	4	FW 0.344X1.00X.12 HD ZN
6	058776	4	NT .312-18NLG5
7	724716	2	WASHER, FIBER (FS)
8	350421	2	SEAT PAN STOP (PLATED)
9	767954	13	FW 0.379X.82X.06 HD ZN
10	036244	4	CS .375-16X1.00 HX G5 ZN
11	086660	5	NT .375-16NLG8
12	052860	3	CS .375-16X1.25 HX G5 ZN
13	712919	2	FW 0.406X1.00X.12 HD ZN
14	601967	1	DECAL, ENGINE COMPART
15	554291	1	SVC, SEAT SUPPORT
16	601968	1	DECAL, HYDRAULIC PRESS
17	601058	1	DECAL, HOT/SYN HYDRO OIL
18	601650	3	VIBRATION MOUNT 70DURO
19	791848	1	DECAL, FUEL INDICATOR- M
20	054502	3	NT .375-16HXG5
21	550824	1	FRAME COVER RS, SERVICE
22	785220	1	DECAL, STEERING R.S.
23	080358	1	GM .50X1.00X.75X.12
24	600899	1	DECAL, PUMP BELT WARNING
25	550823	1	FRAME COVER LS, SERVICE
26	785139	1	DECAL, STEERING L.S.
27	601069	5	CN .312-18x.200 MAX THK
28	768523	7	FW 0.343SAE
29	036236	5	CS .312-18X1.000HXG5
30	606894	1	DECAL, DECK HEIGHT
31	554563	1	SVC, FLOOR PAN
32	118900	1	SPACER, DECK LIFT LINK
33	016253	2	CB .312-18X .750 FUL ZN
34	605907	1	LATCH ASSEMBLY
35	034272	2	NT .312-18HXG5
36	000331	2	WIRE TIE, SMALL/SHORT

This page intentionally left blank

Seat & Floor Pan

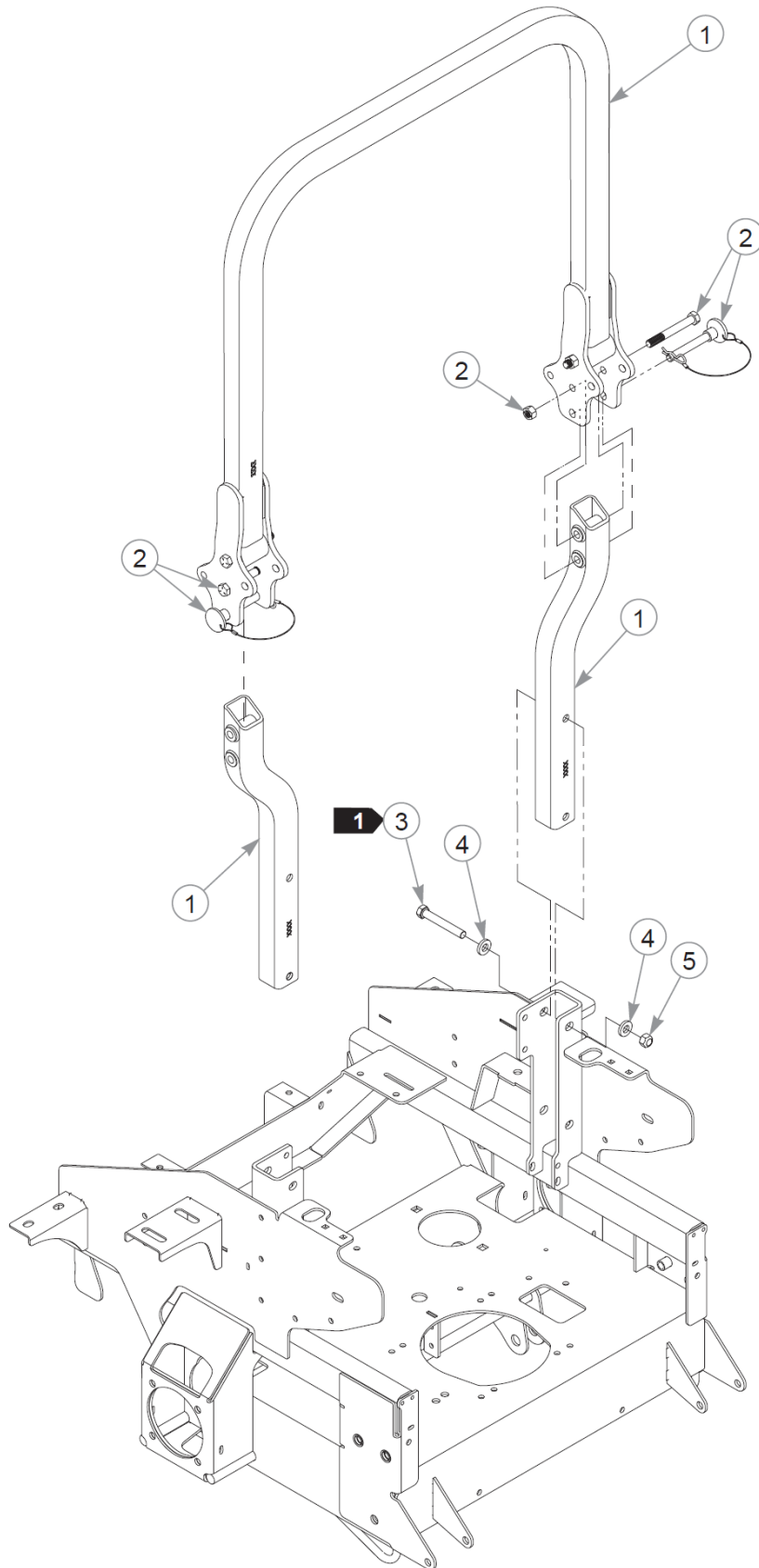
72" RD Super Z HD Parts Manual - 941567 - HTSHDR072KAWFX1000VA

Item	Part No.	Qty	Name
37	601815	1	DECAL, BATTERY WARNINGS



Seat Service Parts - 607710

Item	Part No.	Qty	Name
Not Shown	607710	1	SEAT, I3M SEATS INC
1	607707	1	SVC, SEAT BACK COVER
2	607715	1	SVC, ARM REST PAD KIT
3	608351	1	SVC, SEAT FOAM I3M
Not Shown	607708	1	SVC, SEAT CUSHION COVER
4	607711	1	SVC, ARM REST KIT
5	607709	1	SVC, RECLINER KNOB
6	607207	1	SVC, SEAT BELT
7	607206	1	SVC, KNOB KIT
8	606082	1	SVC, OPS
9	607204	1	SVC, TRACK KIT



ROPS

Item	Part No.	Qty	Name
1	608230	1	SVC, ROPS ASSY
2	608125	1	ROPS HARDWARE KIT
3	061812	4	CS .500-13X3.50 HX G5 ZN
4	767962	8	FW .531 x 1.063 x .175
5	023317	4	NT .500-13UNTG8

Comments for Page: ROPS

1. Torque to 73 ft-lbs.