

# Hustler® Super S® Operator's Manual

***SMOOTHTRAK™  
STEERING***



**HUSTLER®**  
ENGINEERING PERFORMANCE™

200 South Ridge Road  
Hesston, Kansas  
67062

## **WARNING**

The engine exhaust from this product contains chemicals known to the state of California to cause cancer, birth defects or other reproductive harm.

### NOTICE OF REQUIREMENT OF SPARK ARRESTER MUFFLER

This equipment may create sparks that can start fires around dry vegetation. California Public Resources Code Section 4442.6 provides that it is unlawful to use or operate an internal combustion engine on any forest-covered, brush-covered, or grass-covered land unless the engine is equipped with a spark arrester maintained in effective working order. A spark arrester is a device constructed of nonflammable materials specifically for the purpose of removing and retaining carbon and other flammable particles over 0.0232 of an inch in size from the exhaust flow of an internal combustion engine that uses hydrocarbon fuels or which is qualified and rated by the United States Forest Service. Other states or federal areas may have similar laws. The Operator Should Contact Local Fire Agencies For Laws or Regulations Relating to Fire Prevention Requirements. THIS EQUIPMENT DOES NOT HAVE A SPARK ARRESTER AND YOU SHOULD CONTACT YOUR AUTHORIZED DEALER FOR THE PURCHASE OF A SPARK ARRESTER.

**Inspect spark arrester daily; replace every 500 hours or as needed.**

**The Engine Owner's Manual provides information regarding the U.S. Environmental Protection Agency (EPA) and the California Emission Control Regulation of emission systems, maintenance and warranty.**

**Keep Engine Owner's Manual with your unit. Should the Engine Owner's Manual become damaged or illegible, replace immediately. Replacements may be ordered per the information found in the Product Information section of the owner's manual.**

**Federal law and California State law prohibit the following acts or the causing thereof:**

- 1. The removal or rendering inoperative by any person other than for purposes of maintenance, repair, replacement, of any device or element of design incorporated into any equipment for the purposes of emissions control prior to or after its sales or delivery to the ultimate purchaser or while it is in use, or**
- 2. The use of the equipment after such device or element of design has been removed or rendered inoperative by any person.**

# Table of Contents

General Information . . . . .	1-1
To the New Owner . . . . .	1-1
Using this Manual . . . . .	1-1
Warranty Registration . . . . .	1-1
Model and Serial Number . . . . .	1-1
Parts and Service . . . . .	1-1
Product Literature . . . . .	1-2
Safety Precautions . . . . .	2-1
Service Precautions . . . . .	2-4
Safety and Instructions Decals . . . . .	2-6
Operation . . . . .	3-1
Safe Operating Practices . . . . .	3-1
Control Panel . . . . .	3-1
Controls . . . . .	3-1
Safety Start Interlock System . . . . .	3-2
Engine Starting . . . . .	3-3
Stopping the Engine . . . . .	3-4
Moving the Mower With Stalled Engine . . . . .	3-4
Mower Operation . . . . .	3-4
Deck Cutting Height Adjustment . . . . .	3-8
Anti-scalp Wheels . . . . .	3-8
Maintenance & Adjustments . . . . .	4-1
Safe Servicing Practices . . . . .	4-1
Service Introduction . . . . .	4-1
Torque Values . . . . .	4-1
Tires . . . . .	4-1
Lubrication . . . . .	4-1
Electrical System . . . . .	4-1
Hydraulic System . . . . .	4-2
Fuel and Evaporative Emissions Control System . . . . .	4-3
Carbon Canister . . . . .	4-5
Engine Oil and Filter . . . . .	4-5
Engine Air Filter . . . . .	4-6
General Engine Maintenance . . . . .	4-8
Belts . . . . .	4-8

Mower Blade .....	4-8
Operator Platform Adjustment .....	4-10
Maintenance Record .....	4-17
Troubleshooting .....	5-1
Storage.....	6-1

# GENERAL INFORMATION

This manual applies to the following Hustler® Turf Equipment product lines:

## Hustler® Super S®

### To the New Owner

---

Hustler® Super S® mowers are designed to be used for mowing purposes only. Use of this mower for any other purpose could prove to be dangerous to the operator and/or bystanders.

Hustler® mower owners and operators **must read** this manual carefully. It contains operation and maintenance information that will help you achieve years of dependable service.

The Engine Owner's Manual, included in the owner's packet, contains engine information that will not be repeated in this manual.

The **owner's responsibilities** include, but are not limited to, making certain that the operators and mechanics:

- read and understand the engine owner's manual before attempting to operate or repair the engine.
- read and understand the mower's operator manual and all decals before operating this machine.
- are qualified and physically able individuals, properly trained in the operation and maintenance of this equipment. Before they are allowed to operate or maintain this machine, they **must** be familiar with its safe operation, operator controls, and decals.
- know they are responsible for their own safety as well as the safety of other persons within the vicinity. **Remember**, the operator is responsible for accidents or hazards occurring to other people or their property.
- who cannot read and understand English have this material explained to them.

**IMPORTANT:** As the owner/operator you can prevent accidents. You are responsible for accidents or injuries occurring to yourself, other people or property.

Never let children or untrained people operate or service the equipment. Local regulations may restrict the age of the operator.

For more detailed maintenance and adjustment information refer to the proper *General Service Manual* for your machine. Refer to the *Product Literature* section of this manual for information on how to obtain this manual.

### Using this Manual

---

This manual contains general operation information as well as basic adjustment and maintenance information. Since operating conditions vary considerably, all conditions cannot be addressed individually. Through training and experience, operators should develop safe operating practices suitable to most conditions.

Directions used in this manual, for example RIGHT or LEFT, refer to directions when in the operator position and facing forward, unless otherwise stated.

Though current at the time of printing, photographs and illustrations shown may vary slightly from your mower due to subsequent production changes. Hustler® Turf Equipment, Inc. reserves the right to redesign and change the machine as deemed necessary, without notification. If a change has been made to your machine which is not reflected in this manual, contact your Hustler® Dealer for current information.

### Warranty Registration

---

To activate your warranty policy the mower **must** be registered, by your Dealer, with the Manufacturer of Hustler® Turf Equipment within **ten (10) days** following the date of purchase. It is recommended that you contact your Dealer to make sure the mower is registered.

**IMPORTANT:** The mower and any attachment that displays a model and serial identification number plate **must** be registered with Excel Industries, Inc., manufacturer of Hustler® Turf Equipment, Inc ("Manufacturer").

**IMPORTANT:** Any unauthorized modification, alteration, or use of non-approved attachments voids the warranty and releases Manufacturer from any liability arising from subsequent use of this equipment. **Do not** use or operate any attachment not approved by Hustler® Turf Equipment, Inc.

**IMPORTANT:** Damage caused by unauthorized replacement parts is not covered by this warranty. Manufacturer expressly excludes liability for defects or damage caused by such 'unauthorized' articles or service.

### Model and Serial Number

---

The serial identification plate, located on the mower frame directly below the battery compartment, contains the mower's model and serial numbers.

These numbers are required when the unit is registered with Hustler® Turf Equipment. They will also assure you of the correct service parts when replacement becomes necessary.

### Parts and Service

---

Use original Hustler® replacement parts, or parts that are equivalent in overall performance, that are available from your local Hustler® Dealer. For prompt, efficient service, always provide the following information when ordering parts:

1. Correct part description.
2. Correct part number.
3. Correct model number.
4. Correct serial number.

All arrangements for warranty repair and service must be handled through an authorized Hustler® Dealer.

## Product Literature

---

If you would like to view or print a copy of the product manuals (Operator's Manual, Parts Manual, or General Service Manual) for these mowers go online to [www.hustlerturf.com](http://www.hustlerturf.com).

Contact your local Hustler® dealer if you require another engine manual.

# SAFETY PRECAUTIONS



This safety alert symbol is used to call attention to a message intended to provide a reasonable degree of **PERSONAL SAFETY** for operators and other persons during the normal operation and servicing of this equipment.

<b>⚠</b> <b>DANGER</b> <b>⚠</b>	<p>– denotes immediate hazards which <b>WILL</b> result in severe personal injury or death.</p>
---------------------------------------	---

<b>⚠</b> <b>WARNING</b> <b>⚠</b>	<p>– denotes a hazard or unsafe practice which <b>COULD</b> result in severe personal injury or death.</p>
--	--

This manual uses two other words to highlight information:

- A. **IMPORTANT** – calls attention to special mechanical information.
- B. **NOTE** – emphasizes general information worthy of special attention.

The **owner's responsibilities** include, but are not limited to,

- making certain that the operators and mechanics read and understand this manual and all decals before operating this machine.
- making certain that before the operators and mechanics are allowed to operate or maintain this machine, they **must** be familiar with its safe operation, operator controls, and decals.
- ensuring that the operators and mechanics know they are responsible for their own safety as well as the safety of other persons within the vicinity. **Remember**, the operator is responsible for accidents or hazards occurring to other people or their property.

Improper use, adjustment, or maintenance by the operator, mechanic or owner can result in injury or death. Reduce the potential for injuries by following these safety instructions. Pay close attention to the safety alert symbol “▲” and the instructions that follow it. **Failure to comply with these instructions may result in personal injury or death.**

**Incorrect usage of this equipment may result in severe injury or death. Personnel operating and maintaining it should be trained in its proper use. They should read this manual completely and thoroughly before attempting to set-up, operate, adjust, or service this equipment.**

## Safe Operating Practices

This product is capable of amputating hands and feet and throwing objects. Always follow all safety instructions to avoid serious injury or death.

- ▲ Never allow persons to operate this mower without proper instruction or allow children to operate the mower. Allow only responsible adults who are familiar with these instructions to operate this mower.

## Safe Operation

- ▲ Evaluate the terrain to determine what accessories and attachments are needed to properly and safely perform the job. Only use accessories and attachments approved by the manufacturer.
  - Do not use any unauthorized attachment or modify the mower.
  - Follow the manufacturer's recommendation for wheel weights or counterweights.
  - Any rapid movement of the steering control levers in either direction could result in a reaction of the mower that can cause serious injury especially if an attachment or weights are added.
- ▲ Always be alert and inspect area to be mowed for hazards such as rocks, metal objects and other debris which may be thrown or entangled by mower blades. Remove these objects before mowing. Watch out for holes or deep depressions.
- ▲ Always operate mower in daylight or with adequate working lights.
- ▲ Never operate the mower when there is a risk for lightning.

## Personal Safety

- ▲ **Always** wear long pants and **safety shoes with slip-resistant soles** when operating this mower.
  - Do not wear sandals, tennis shoes, sneakers, shorts or any type of loose fitting clothing as they may get tangled in moving parts.
  - Do not wear a towel from the waist, or use a towel as a headband or neck wrap.
  - Long hair or jewelry may get tangled in moving parts.
- ▲ Always wear adequate ear protection, such as earplugs. Prolonged exposure to loud noise can cause impairment or loss of hearing.

- Do not wear radios or music headphones while operating this mower. Safe operation requires your full attention.
- ▲ **Always** wear safety goggles or safety glasses with side shields when operating this mower.
- ▲ Do not operate the mower if you are fatigued, sick or while under the influence of alcohol or drugs, if you are pregnant or under 18 years old.
- ▲ Poor posture or operating the mower for extended periods of time may lead to fatigue or injury, resulting in loss of mower control. Occasionally, stop the mower and get off the mower to stretch and relax.
- ▲ This product is designed to be used by physically fit, professional operators who have significant experience operating commercial mowers.
- ▲ Data indicates that operators, age 60 years and above, are involved in a large percentage of mower-related injuries. These operators should evaluate their ability to operate the mower safely enough to protect themselves and others from serious injury.

## Operation

- ▲ Never leave a running mower unattended. Before leaving the operator's platform for any reason, including emptying the catcher or unclogging the chute:
  - Always stop on level ground.
  - Disengage the deck clutch.
  - Place the steering control levers in the neutral position.
  - Place the park brake lever in the engaged park brake position.
  - Stop the engine.
  - Remove the ignition key.
  - Wait for the engine and all moving parts to come to a complete stop.
- ▲ Always inspect mower for damage after striking a foreign object. If damage is found, repair mower immediately.
- ▲ Only start the engine from the operator's position.
- ▲ Turn off the mower blades when not mowing.
- ▲ Always bring the mower to a complete stop before using a hand operated grab tool to pick up trash.
- ▲ Always keep safety shields and covers in place, except for servicing.
- ▲ Never operate the mower deck with the discharge chute damaged, altered, removed, or in the raised position, except when the entire grass catcher attachment or mulching system is being used.
- ▲ Always keep clear of the mower blades and attachments during their operation.
  - Never put hands or feet under any part of the mower while it is running.

- ▲ Stop the engine before removing the grass catcher or unclogging the discharge chute. Never clear the discharge chute with the engine running. Turn off the engine and be sure the blades have stopped before cleaning. Use a stick to clear a plugged discharge area. **Never use your hand!**
- ▲ Follow daily and weekly checklists, making sure hoses are tightly secured and bolts are tightened.
  - Never operate a poorly maintained mower.
- ▲ **Clean flammable material from mower. Prevent fires by keeping the engine compartment, top of the deck, exhaust area, battery (if applicable), fuel line, fuel tank and operator's station clean of accumulated trash, grass clippings, and other debris. Always clean up spilled fuel and oil.**
  - Allow the mower, especially the engine, to cool in a well ventilated area before storing inside a building or other enclosure.
- ▲ Never cover the machine with a tarp or cover of some type until the engine and muffler have cooled.
- ▲ Do not change the engine governor setting or over speed the engine. Operating the engine at excessive speed may increase the hazard of personal injury.
- ▲ Rapid movement of the steering control levers in either direction could result in a reaction of the mower that can cause serious injury.
  - Never push forward suddenly on your steering control levers while the mower is in rearward motion because mower may tip backwards.
  - Never pull back suddenly on your steering control levers while the mower is in forward motion.
- ▲ Always be aware of what is behind the mower before backing up. Never mow in reverse. Always look down and behind before and while backing up.
  - If mowing in reverse is unavoidable, rapid movement of the steering control levers in either direction could result in a reaction of the mower that can cause serious injury.
- ▲ Make sure you keep both feet securely on the operator's platform while using this machine, especially when backing up.
 

**IMPORTANT:** If both feet are not placed securely on the operator's platform, slipping could occur.
- ▲ Keep the operator's platform clean of debris/mud or slipping could occur.
- ▲ Slow down before turning.
- ▲ Operate a safe distance (minimum of 10 feet) away from drop-offs, retaining walls, drainage ditches, embankments, water, and other types of hazards to avoid a wheel dropping over the edge or to avoid the ground from breaking away. This will reduce the risk of the mower suddenly rolling over causing serious injury or death.



- ▲ Use a walk-behind, push mower or hand-held trimmer on slopes and near drop-offs, retaining walls, drainage ditches, embankments and water to avoid mower rollover and serious injury or death.
- ▲ Do not tow with this mower.
- ▲ Close the fuel shut-off valve when transporting or storing the mower.
- ▲ Never attempt high speed maneuvering, especially in crowded or congested areas.
- ▲ Always maintain a safe distance from people and pets when mowing. Always stop mower if someone enters the area.
- ▲ Never carry passengers.
- ▲ Never direct discharged material toward anyone. Avoid discharging material against a wall or obstruction. Material may ricochet back toward the operator. Always disengage the mower blades and wait for them to stop before crossing gravel drives, walks or roads.
- ▲ Always observe traffic laws while driving mower from one location to another. Watch for traffic when operating near or crossing roadways.
  - Use care when approaching blind corners, shrubs, trees, or other objects that may obscure your vision.
- ▲ Do not tow the machine. Move it by hand or use a winch to load on a trailer for transporting. When transporting on another vehicle, the mower should be facing forward and it must be secured.
- ▲ Secure frame to transport vehicle with at least two straps, chains, cables, or ropes. Never secure unit from rods or linkages to vehicle, otherwise damage could occur.

### Using a Ramp

- ▲ Exercise extreme caution when loading and unloading a mower onto a truck or trailer with a ramp.
- ▲ Use only a single, full width ramp; do not use individual ramps for each side of the unit. Having a full width ramp provides a surface for the mower frame to contact if the unit starts to tip backwards. It also reduces the risk of a wheel going off and the mower tipping over.
- ▲ Do not exceed a 15 degree angle between the ramp and the ground or between the ramp and the trailer or truck.
- ▲ Place the deck height adjustment lever in the transport position before loading or unloading onto a truck or trailer with a ramp.
- ▲ Avoid sudden acceleration when on a ramp.

### Slope Operation

**Slopes are a major factor in loss-of-control and tip-over accidents, which can result in severe injury or death. All slopes require extra caution. If you cannot back the mower up the slope or if you feel uneasy on the slope; do not mow it. REMINDER: Only operate on slopes of 15 degrees or less.**

- ▲ Use extreme caution when operating on slopes.
  - Be extremely careful changing directions on a slope. Slow down.
  - Do not operate where the mower could slip or tip.
  - Turn slowly.
  - Turn on the most level part of the slope.
  - Never operate the machine on a slope from a position below the mower.
  - When turning downhill, turn slowly and gradually.
- ▲ Do not remove or modify the stabilizer wheels.
- ▲ Watch for holes, ruts, bumps, rocks or other hidden objects. Uneven terrain could overturn the mower. Tall grass can hide obstacles.
- ▲ Remove obstacles such as rocks, tree limbs, etc.
- ▲ Keep all movement on slopes slow and gradual. Do not make sudden changes in speed or direction.
- ▲ Do not operate on slopes above retaining walls, drop-offs, drainage ditches, embankments, water, and other types of hazards to avoid a wheel dropping over the edge or to avoid the ground from breaking away. This will reduce the risk of the mower suddenly rolling over causing serious injury or death.
- ▲ Do not operate on wet grass. Slippery conditions reduce traction which could cause sliding and loss of control.
- ▲ Do not try to stabilize the mower by putting your foot on the ground.
- ▲ Never make sudden starts, stops, turns, or reversals of direction, especially when maneuvering on slopes. The steering is designed for sensitive response. Rapid movement of the steering control levers in either direction could result in a reaction of the mower that can cause serious injury.
- ▲ **Do not** back down slopes. This action may result in a reaction of the mower (tipping rearward) that can cause serious physical injury.
- ▲ The Hustler® mower is capable of operating horizontally (traverse) on moderately steep slopes. When operating on slopes up to 15 degrees, be aware of any conditions that may cause the mower drive tires to lose traction resulting in a possible loss of control of the mower. Operators should not operate on a slope until they are thoroughly familiar with the equipment.

**Do not operate on slopes greater than 15 degrees.**

Refer to the *Slope Guide*, when determining the degree of slope to be mowed.

If the mower's tires lose traction when operating on slopes, turn the engine off, if possible, and step off the operator's platform to the uphill side.

After the mower stops:

- disengage the deck clutch,
- place the steering control levers in the neutral position,
- engage the park brake,
- remove the ignition switch key, and
- get assistance.

Wait until the condition that caused the problem is resolved before attempting to operate on the slope again.

Terrain conditions can affect traction resulting in possible loss of control of the mower. Some of the conditions to be aware of are:

- Wet terrain
- Depressions in the ground; i.e. holes, ruts, washouts
- Mounds of dirt
- Soil type; i.e. sand, loose dirt, gravel, clay
- Grass type, density, and height
- Extremely dry conditions of grass
- Tire pressure

Any attachments mounted to the mower will also affect the way it handles on a slope. Be aware that each attachment's characteristics vary.

Another consideration for safe operation on slopes is to be aware of what is located at the bottom of the slope. Extreme caution should be used when there is a hazard located at the bottom of the slope. Some examples are:

- Water; i.e. lake, river
- Cliffs, retaining walls
- Roads, highways
- Buildings
- Rocks

These are just a few examples of situations when caution must be used when operating on a slope. There are many other possibilities too numerous to mention. Just remember to always exercise extreme caution when operating on any slope.

## Children

**Tragic accidents can occur if the operator is not alert to the presence of children. Children are often attracted to the mower and the mowing activity. Never assume that children will remain where you last saw them.**

- ▲ Never leave the mower unattended with the ignition key in the switch, especially with children present.

▲ Children or bystanders may be injured if they attempt to move or to operate the mower while it is unattended. Before leaving the operator's platform:

- Disengage the deck clutch.
- Place the steering control levers in the neutral position.
- Place the park brake lever in the engaged park brake position.
- Stop the engine.
- Remove the ignition key.

▲ Keep children out of the mowing area and under the watchful care of a responsible adult other than the operator.

▲ Be alert and turn the mower off if children enter the area.

▲ Before and while backing, look behind and down for small children.

▲ Never carry children, even with the blades off. They may fall off and be seriously injured or interfere with safe mower operation. Children who have been given rides in the past may suddenly appear in the mowing area for another ride and be run over or backed over by the mower.

▲ Never allow children to operate the mower.

▲ Use care when approaching blind corners, shrubs, trees, the end of a fence or other objects that may obscure vision.

## Service Precautions

---

▲ Unless specifically required, **DO NOT** have the engine running when servicing or making adjustments to the mower.

- Park the mower on level ground.
- Disengage the deck clutch.
- Place the steering control levers in the neutral position.
- Place the park brake lever in the engaged park brake position.
- Lower the deck.
- Stop the engine.
- Remove the ignition key.
- Wait for all movement to stop before adjusting, cleaning or repairing.
- Disconnect the negative battery cable.
- Repairs or maintenance requiring engine power should be performed by trained maintenance personnel only.
- To prevent carbon monoxide poisoning, operate the engine in a well ventilated area only.
- Read and observe all safety warnings in this manual.

- ▲ Before working on or under the deck, make certain the engine cannot be accidentally started.
- ▲ **Always** keep belt covers on mower deck for safety as well as for cleanliness except when changing or checking the belt.
- ▲ Use a stick or similar instrument to clean under the mower making sure that no part of the body, especially arms and hands are under the mower.
- ▲ Always wear adequate eye protection when:
  - servicing the hydraulic system.
  - servicing the battery.
  - grinding mower blades and removing accumulated debris.
- ▲ Never attempt to make any adjustments or repairs to the mower drive system, mower deck or any attachment while the mower engine is running or deck clutch is engaged. Repairs or maintenance requiring engine power should be performed by trained maintenance personnel only.
- ▲ Never work under the machine or attachment unless it is safely supported with jack stands.
  - Make certain machine is secure when it is raised and placed on the jack stands.
  - The jack stands should not allow the machine to move when the engine is running and the drive wheels are rotating.
  - **Use only certified jack stands.** Use only appropriate jack stands, with a minimum weight rating of 2000 pounds (907 kg) to block the unit up.
  - Use in pairs only.
  - Follow the instructions supplied with the jack stands.
- ▲ Exercise caution when releasing spring tension from any of the belt idlers or when working with any of the deck lift components.
- ▲ Do not touch hot parts of machine.
- ▲ Keep nuts and bolts tight, especially the blade attachment bolts. Keep equipment in good working condition.
- ▲ Never tamper with safety devices. Check their proper operation regularly.
- ▲ Grass collection system components are subject to wear, damage and deterioration, which could expose moving parts or allow objects to be thrown. Frequently check components and replace with manufacturer's recommended parts, when necessary.
- ▲ Exercise caution when working under the deck as the mower blades are extremely sharp. Wrap the blade(s) or wear gloves and use extra caution when servicing them.

- ▲ Use original Hustler® replacement parts, or parts that are equivalent in overall performance, that are available from your local Hustler® Dealer.
  - The mower may not comply with the appropriate safety standards if aftermarket parts, accessories, or attachments are used.

### Mower Blade Maintenance Precautions

- ▲ Never attempt to straighten a bent blade by heating, or weld a cracked or broken blade as the blade may break and cause serious injury. Replace worn or damaged blades.
- ▲ Never work with blades while engine is running or deck clutch switch is engaged (on).
- ▲ Always wear adequate eye protection when grinding mower blades.
- ▲ Mower blades are sharp and can cut. Wrap the blade(s) or wear gloves and use extra caution when servicing them.

### Battery Service Precautions

- ▲ Battery posts, terminals, and related accessories contain lead and lead compounds, chemicals known to the State of California to cause cancer and reproductive harm. Wash hands after handling.
- ▲ Charge batteries in a well-ventilated open area, away from sparks and flames. Unplug charger before connecting or disconnecting from battery. Wear protective clothing and use insulated tools.
- ▲ Avoid skin and clothing contact with battery acid.
  - Always wear eye protection when checking the battery. Acid can cause serious injury to skin and eyes. If contact occurs, flush area with clean water and call a physician immediately. Acid will also damage clothing.
  - Do not drink the battery electrolyte.
  - Do not allow open flame near the battery when charging.
  - Hydrogen gas forms inside the battery. This gas is both toxic and flammable and may cause an explosion if exposed to flame. Always **disconnect** the negative (black) battery cable(s) before disconnecting the positive (red) cable(s). Always **connect** the positive (red) battery cable(s) before connecting the negative (black) cable(s).
  - Do not overfill the battery.
  - Electrolyte may overflow and damage paint, wiring or structure. When cleaning the battery, use soap and water. Be careful not to get soap and water into the battery. Clean the battery terminals with a solution of four parts water and one part baking soda when they become corroded.

- ▲ Shorts caused by battery terminals or metal tools touching metal mower components can cause sparks. Sparks can cause a battery gas explosion which will result in personal injury.
  - Prevent the battery terminals from touching any metal mower parts when removing or installing the battery.
  - Do not allow metal tools to short between the battery terminals and metal mower parts.
- ▲ Incorrect battery cable routing could cause damage to the mower and battery cables. This can cause sparks which can cause a battery gas explosion which will result in personal injury.
  - Always **disconnect** the negative (black) battery cable(s) before disconnecting the positive (red) cable(s).
  - Always **connect** the positive (red) battery cable(s) before connecting the negative (black) cable(s).

### Fuel Handling Precautions

- ▲ **To avoid personal injury or property damage, use extreme care when handling gasoline. Gasoline is extremely flammable and the vapors are explosive.**
  - A fire or explosion from gasoline can burn you and others and can damage property.
- ▲ Observe the usual gasoline handling precautions:
  - Do not smoke while refueling. Extinguish all cigarettes, cigars, pipes and other sources of ignition.
  - **Do not remove fuel cap or fill tank with engine running or while engine is hot.** Clean up any gasoline spills.
  - If gasoline is spilled, do not attempt to start the engine but move the machine away from the area of spillage and avoid creating any source of ignition until gasoline vapors have dissipated.
  - Keep gasoline away from open flame or spark and store machine away from open flame or spark or pilot light such as on a water heater or appliances.
  - Refuel outdoors. Never refuel or drain the gasoline from the machine indoors, or while in an enclosed trailer or other enclosed area.
  - Never attempt to start the engine when there is a strong odor of gasoline fumes present. Locate and correct the cause.
  - Store gasoline in an approved container and keep it out of the reach of children. Never buy more than a 30-day supply of gasoline.
  - Do not fill fuel containers inside a vehicle or on a truck or trailer bed with interior carpets or plastic truck bed liners. Always place gasoline containers on the ground away from your vehicle before filling.

- When practical, remove the machine from the truck or trailer and refuel the machine with its wheels on the ground. If this is not possible, then refuel such machine on the truck or trailer using a portable container and not a fuel dispenser nozzle. If a fuel dispenser nozzle must be used, keep the nozzle in contact with the rim of the fuel tank or container opening at all times until fueling is complete. Do not use a nozzle lock-open device.
- Never use gasoline for cleaning parts.
- Read and observe safety precautions elsewhere in this manual.
  - ▲ Gasoline is harmful or fatal if swallowed.
  - ▲ Avoid prolonged breathing of vapors.
    - Long-term exposure to vapors can cause serious injury and illness.
  - ▲ Keep gasoline away from eyes and skin.
    - Keep face away from nozzle and fuel tank or fuel container opening.
    - If gasoline is spilled on clothing, change clothing immediately.

### Safety and Instructions Decals

The decals are designed to give the operator and mechanic brief daily operational and service information. Use these decals as an extension of this manual. Do not remove or obliterate the decals. Replace unreadable or missing decals.

It is the **owner's responsibility** to make certain that the operators and mechanics read and understand all decals before operating this machine.

WARNING

Specific safety warning decals are located on the equipment near the immediate areas of potential hazards. Do not remove or obliterate these decals. Replace them if they become non-readable.

The following illustrations show the safety decals that are located on the mower. A brief explanation is shown to help the operator understand the decal's meaning.



- **Read Operator's Manual and Safety Warning Decals before attempting to operate this machine.**



- Do not smoke while refueling.
- Do not remove the fuel tank cap or fill tank with engine running or while the engine is hot.
- Allow the mower, especially the engine, to cool in a well ventilated area before storing inside a building or other enclosure.
- Store away from open flame or spark if there is fuel in tank.
- Clean up any gasoline spills.
- Do not refuel while in enclosed trailer or other enclosed areas.
- Maximum of 10% ethanol (E10) in fuel. Fuels with greater than 10% ethanol, (such as E15, E20 and E85) voids warranty. Fuels with greater than 10% ethanol are not approved for use and such use could cause equipment failure and pose a fire hazard.



**WARNING: Fire!**

Part Number 606323

- Clean flammable material from machine. Prevent fires by keeping engine compartment, top of deck, exhaust area, battery, fuel line, fuel tank and operator's station clean of accumulated trash, grass clippings, and other debris. Always clean up spilled fuel and oil.



**WARNING:  
Hot surface!**

Part Number 601058

- Avoid skin contact with hot surface.



Park brake disengaged position

Park brake engaged position

Part Number 601906

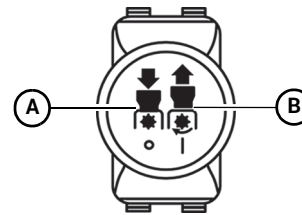


**WARNING:  
Hot surface!**

Part Number 602041

- Keep a safe distance from the machine.

Top of Deck Clutch Switch Shown



- A. Deck clutch disengaged (OFF) position
- B. Deck clutch engaged (ON) position

**DANGER: Battery Hazards!**

Part Number 601815



- Avoid skin contact with battery acid
- Do not overfill battery.
- Electrolyte may overflow and damage paint, wiring or structure. When cleaning the battery, use soap and water. Be careful not to get soap and water into the battery. Use soda mixed in water to clean corrosion off the terminals.
- Always wear eye protection when checking the battery, acid can cause serious injury to skin and eyes. If contact occurs, flush area with clean water and call physician immediately. Acid will also damage clothing.
- Do not allow open flame near the battery when charging.
- Hydrogen gas forms inside the battery. This gas is both toxic and flammable and may cause an explosion if exposed to flame. Always remove the negative ground first and replace it last.

**WARNING: Thrown objects!**

- Never operate the mower deck with side deflector damaged, altered, removed or in raised position, except when the entire grass catcher attachment or mulching system is being used.



Part Number 606151

**DANGER: Rotating blades, pulleys & belts**

- Keep shields and covers in place while machine is in operation.
- Keep hands, feet and clothing away from rotating pulleys and belts.

**WARNING: Thrown objects!**

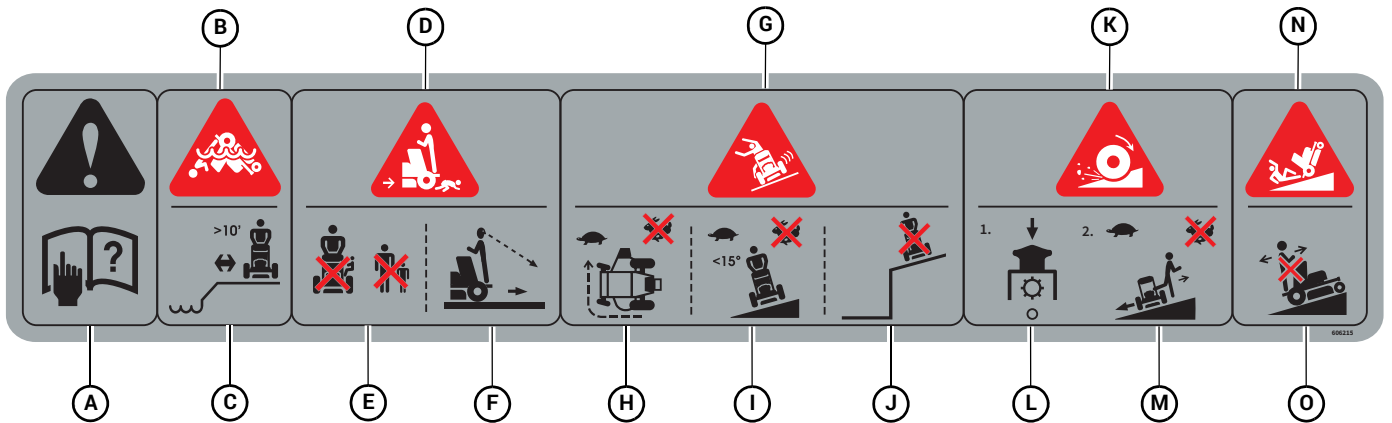
- Always maintain a safe distance from people and pets when mowing.
- Always stop machine if someone enters the area.
- Inspect area to be mowed for hazards such as rocks, metal objects and other debris which may be thrown or entangled by mower blades. Remove these objects before mowing.



Part Number 604222

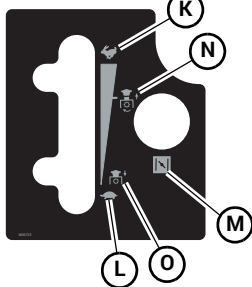
**DANGER: Rotating blades, pulleys & belts**

- Keep shields and covers in place while machine is in operation.
- Keep hands, feet and clothing away from rotating pulleys and belts.

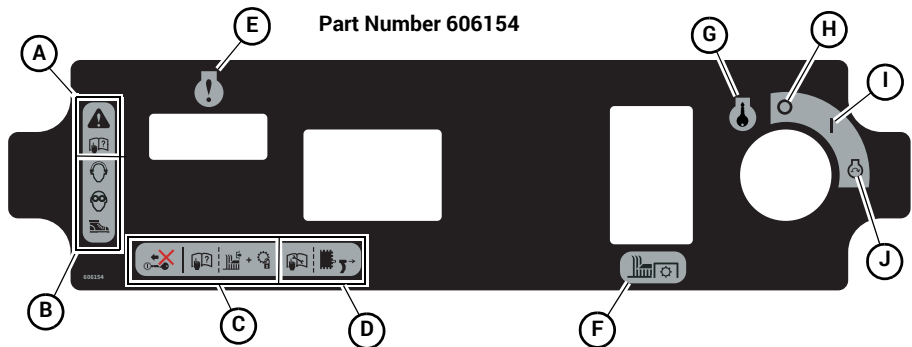


- A. **WARNING: Read Operator's Manual and decals before attempting to operate this machine.**
- B. **WARNING: Roll over!**
- C.
  - Operate a safe distance (minimum of 10 feet) away from drop-offs, retaining walls, drainage ditches, embankments, water, and other types of hazards to avoid a wheel dropping over the edge or to avoid the ground from breaking away.
- D. **WARNING: Back over!**
- E.
  - Do not carry passengers.
  - Always stop machine if someone enters the area.
- F.
  - Always be aware of what is behind the machine before backing up. Do not mow in reverse unless absolutely necessary. Always look down and behind before and while backing up.
- G. **WARNING: Roll over!**
- H.
  - Slow down before turning.
- I.
  - Do not operate on slopes greater than 15 degrees.
  - Keep all movement on slopes slow and gradual. Never make sudden changes in speed and direction.
- J.
  - Do not operate on slopes above a retaining wall or drop-off.
- K. **WARNING: Loss of traction/control on slopes!**
- L.
  - Shut off blades.
- M.
  - If the mower's tires lose traction when operating on slopes, turn the engine off, if possible, and step off the operator's platform to the uphill side.
- N. **WARNING: Ejection!**
- O.
  - Go across slopes, not up and down.
  - Never operate the machine on a slope from a position below the mower.

Part Number 606155

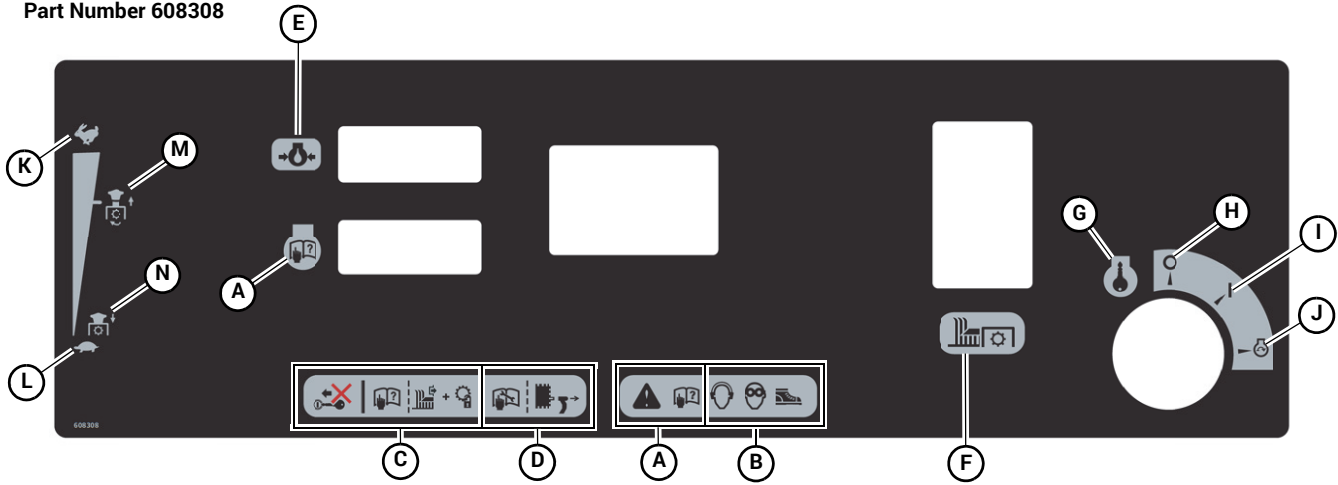


Part Number 606154



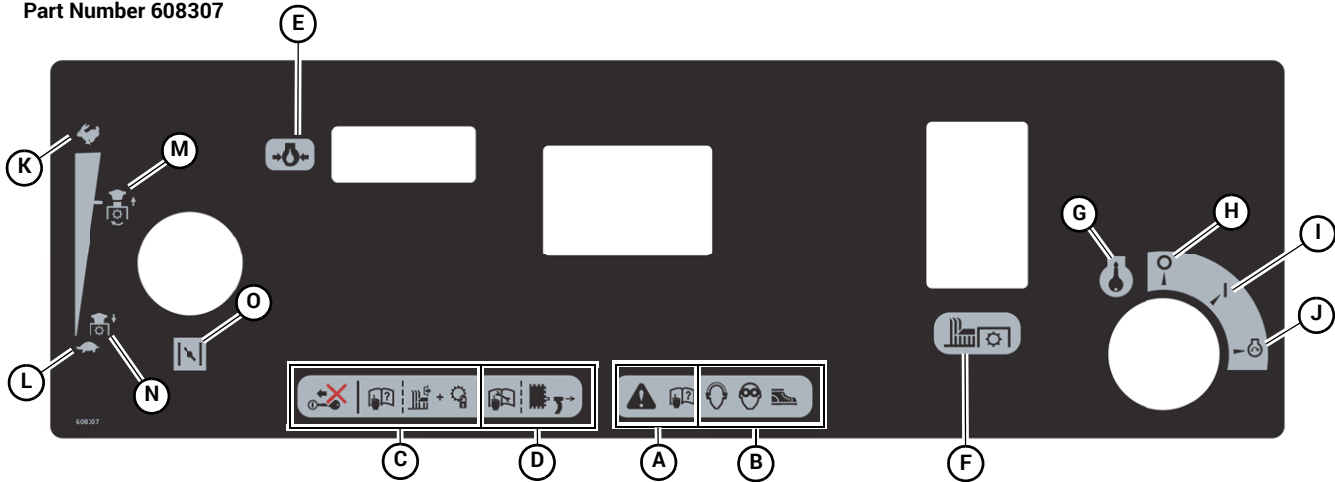
- A. Read Operator's Manual before attempting to operate this machine.
- B. Wear ear protection, eye protection and safety shoes with slip-resistant soles when operating this equipment.
- C. Before starting the engine:
  - Read Operator's Manual
  - Disengage mower blades
  - Place steering control levers in the neutral position
  - Place park brake lever in engaged park brake position
- D. Before servicing:
  - Read Operator's Manual
  - Disconnect spark plug before servicing
- E. If warning light comes on, check engine oil.
- F. Mower blade engage/disengage switch
- G. Ignition switch - insert key
- H. OFF
- I. ON
- J. Engine start position
- K. Fast
- L. Slow
- M. Choke
- N. For maximum electric clutch life engage at 1/2 - 3/4 throttle position.
- O. For maximum electric clutch life disengage at low throttle position

**Part Number 608308**



- |   |   |
|---|---|
| <p><b>A.</b> Read Operator's Manual before attempting to operate this machine.</p> <p><b>B.</b> Wear ear protection, eye protection and safety shoes with slip-resistant soles when operating this equipment.</p> <p><b>C.</b> Before starting the engine:</p> <ul style="list-style-type: none"> <li>• Read Operator's Manual</li> <li>• Disengage mower blades</li> <li>• Place steering control levers in the neutral position</li> <li>• Place park brake lever in engaged park brake position</li> </ul> <p><b>D.</b> Before servicing:</p> <ul style="list-style-type: none"> <li>• Read Operator's Manual</li> <li>• Disconnect spark plug before servicing</li> </ul> | <p><b>E.</b> If warning light comes on, check engine oil.</p> <p><b>F.</b> Mower blade engage/disengage switch</p> <p><b>G.</b> Ignition switch - insert key</p> <p><b>H.</b> OFF</p> <p><b>I.</b> ON</p> <p><b>J.</b> Engine start position</p> <p><b>K.</b> Fast</p> <p><b>L.</b> Slow</p> <p><b>M.</b> For maximum electric clutch life engage at 1/2 - 3/4 throttle position</p> <p><b>N.</b> For maximum electric clutch life disengage at low throttle position</p> |
|---|---|

**Part Number 608307**

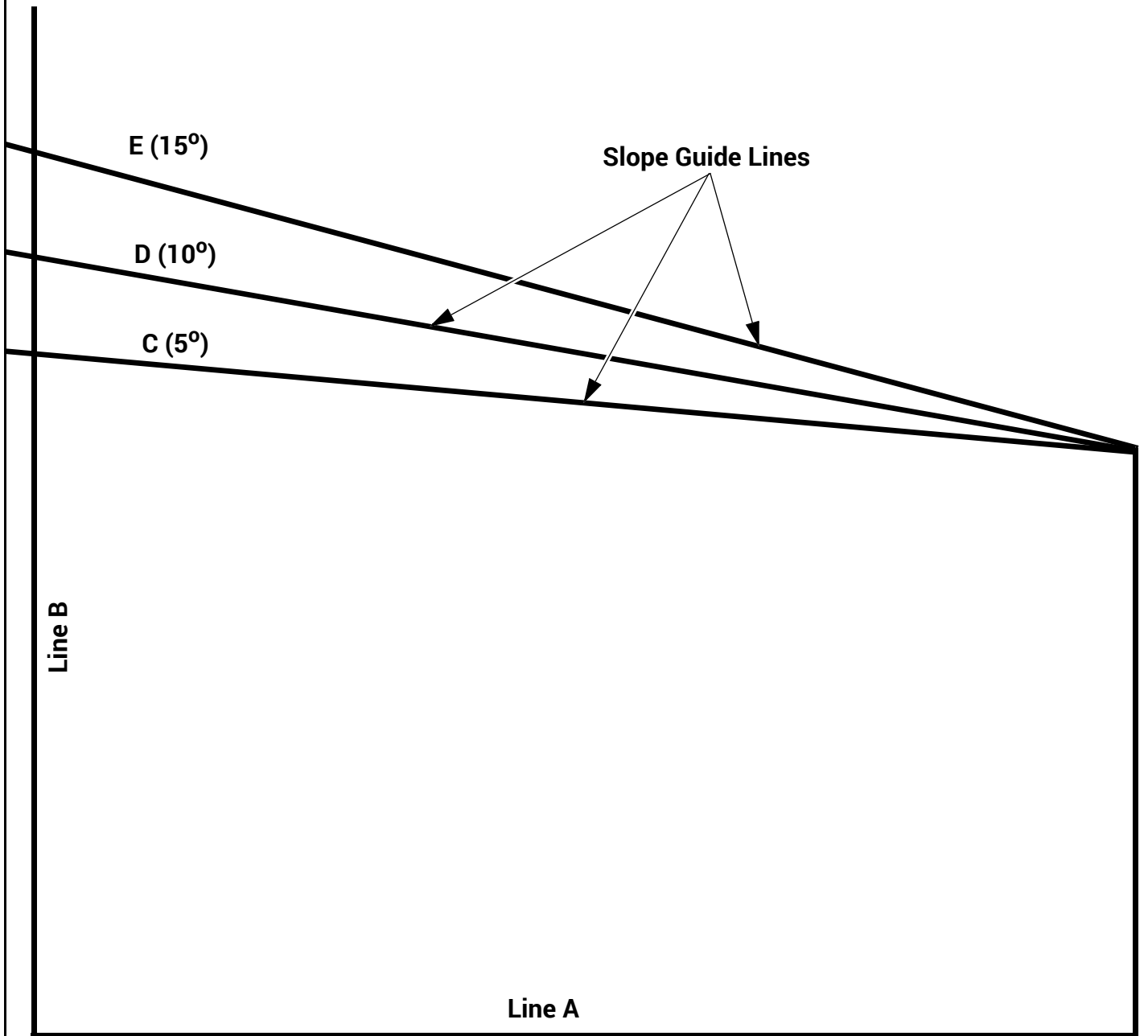


- |   |  |
|---|--|
| <p><b>A.</b> Read Operator's Manual before attempting to operate this machine.</p> <p><b>B.</b> Wear ear protection, eye protection and safety shoes with slip-resistant soles when operating this equipment.</p> <p><b>C.</b> Before starting the engine:</p> <ul style="list-style-type: none"> <li>• Read Operator's Manual</li> <li>• Disengage mower blades</li> <li>• Place steering control levers in the neutral position</li> <li>• Place park brake lever in engaged park brake position</li> </ul> <p><b>D.</b> Before servicing:</p> <ul style="list-style-type: none"> <li>• Read Operator's Manual</li> <li>• Disconnect spark plug before servicing</li> </ul> | <p><b>E.</b> If warning light comes on, check engine oil.</p> <p><b>F.</b> Mower blade engage/disengage switch</p> <p><b>G.</b> Ignition switch - insert key</p> <p><b>H.</b> OFF</p> <p><b>I.</b> ON</p> <p><b>J.</b> Engine start position</p> <p><b>K.</b> Fast</p> <p><b>L.</b> Slow</p> <p><b>M.</b> For maximum electric clutch life engage at 1/2 - 3/4 throttle position</p> <p><b>N.</b> For maximum electric clutch life disengage at low throttle position</p> <p><b>O.</b> Choke</p> |
|---|--|



## Slope Guide

Use this diagram when determining the degree of slope to be mowed.



1. Hold this sheet of paper in front of you. Make sure that Line A is horizontal.
2. Align Line B with a vertical surface such as pole, tree or building.
3. Fold the paper along the slope guide lines (C, D or E).
4. Align the closest slope guide line with the ground slope. This will give you a close estimation of the ground slope to be mowed.



# OPERATION

## Safe Operating Practices

Refer to the *Safety Precautions* section of this manual for operational and personal safety information.

## Control Panel

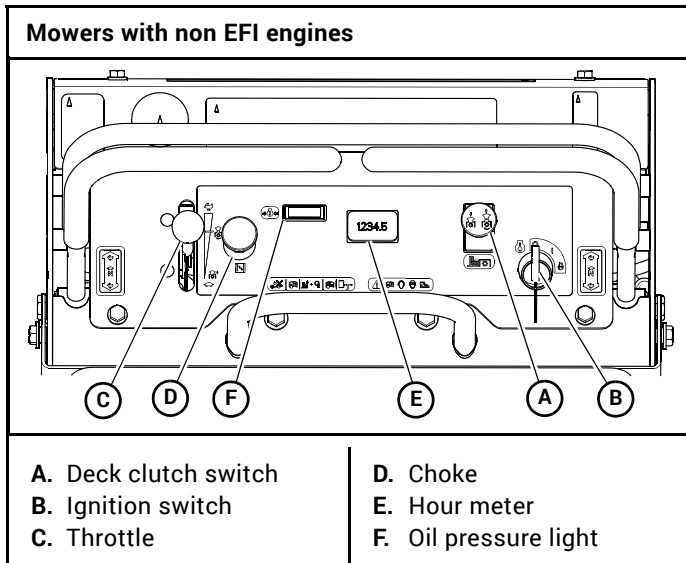


Figure 3-1

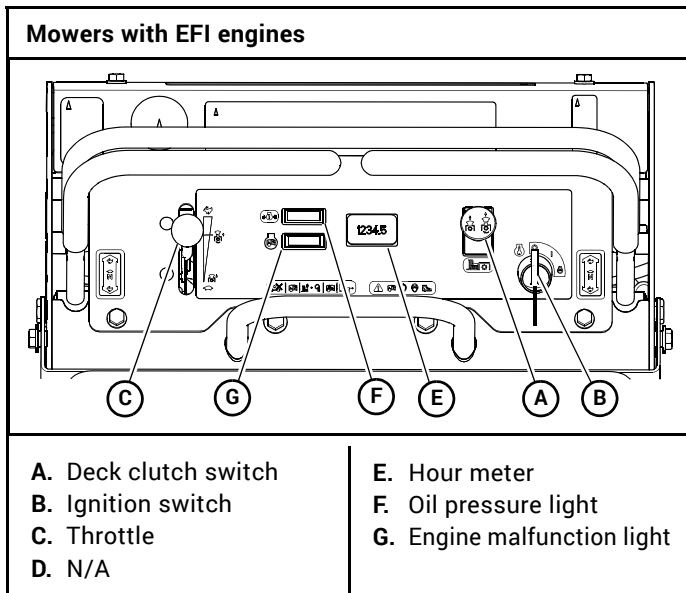


Figure 3-2

**A. Deck clutch switch (Figure 3-1, Figure 3-2, & Figure 3-3)** – this switch engages the deck. Pull the switch up to engage and push the switch down to disengage the clutch.

For additional clutch information refer to the *Mower Deck Operation* section of this manual.

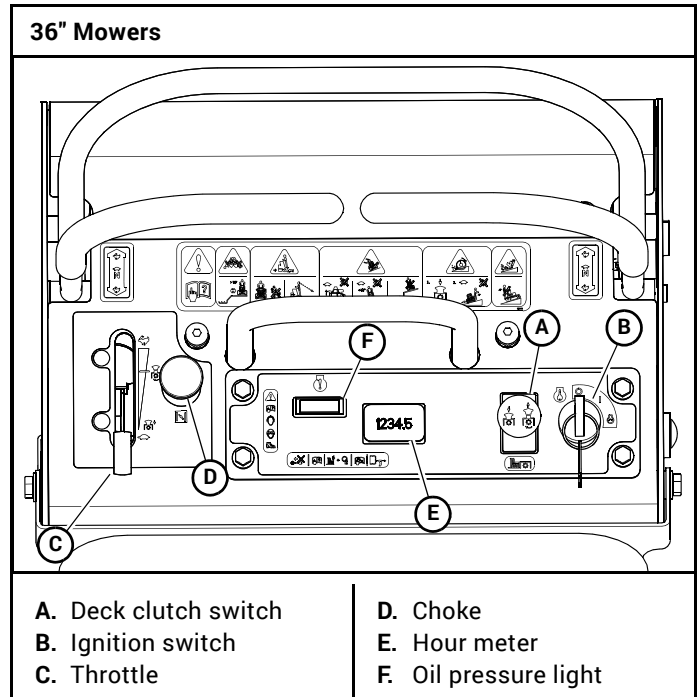


Figure 3-3

**B. Ignition switch (Figure 3-1, Figure 3-2, & Figure 3-3)** – a three position switch: “OFF”, “RUN”, and “START”. With key inserted, rotate it clockwise to the “START” position; release the key when the engine starts, and the switch will automatically return to the “RUN” position.

**C. Throttle control (Figure 3-1, Figure 3-2, & Figure 3-3)** – a cable is linked to the engine throttle for controlling engine speed. Move the lever forward to increase engine rpm, move the lever rearward to decrease engine rpm.

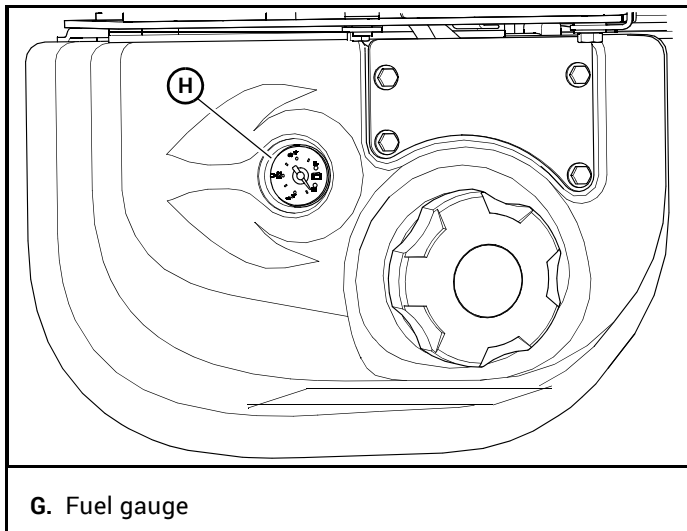
**D. Choke control (if equipped) (Figure 3-1 & Figure 3-3)** – a cable is linked to manually operate the engine choke. When the knob is in the down position, the choke is in the “OFF” (run) position. When the knob is pulled up, the choke is in the “ON” (start) position. **Do not** operate the machine in the “ON” (start) position.

**E. Electronic hour meter (Figure 3-1, Figure 3-2, & Figure 3-3)** – registers 1/10 hour increments up to 9,999.9 total hours. It is connected to the ignition switch. It records the accumulative time while the ignition key is switched to the “RUN” position.

**F. Oil pressure light (Figure 3-1, Figure 3-2, & Figure 3-3)** – this light comes on when the ignition switch is placed in the “RUN” position and stays lit until the engine is running and a safe oil pressure is developed. If the light comes on during operation, shut the engine off immediately and locate and correct the problem.

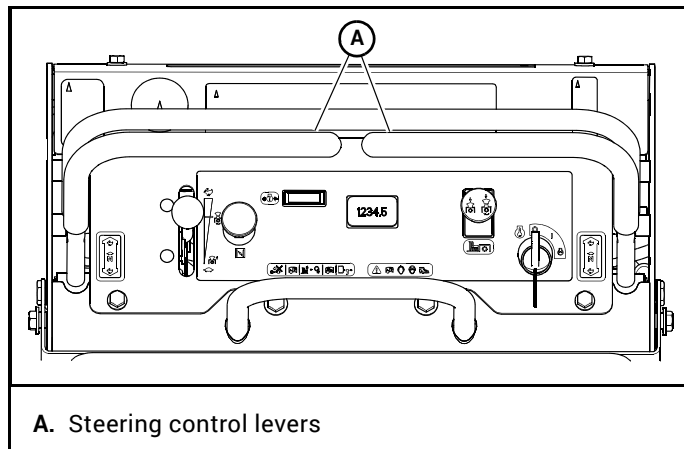
**G. Engine malfunction light (Figure 3-2)** – this light comes on when there has been an engine malfunction on mowers with electronic fuel injected engines. Refer to the engine owner’s manual for more details.

**H. Fuel gauge (Figure 3-4)** – This gauge shows the fuel level in the fuel tank.



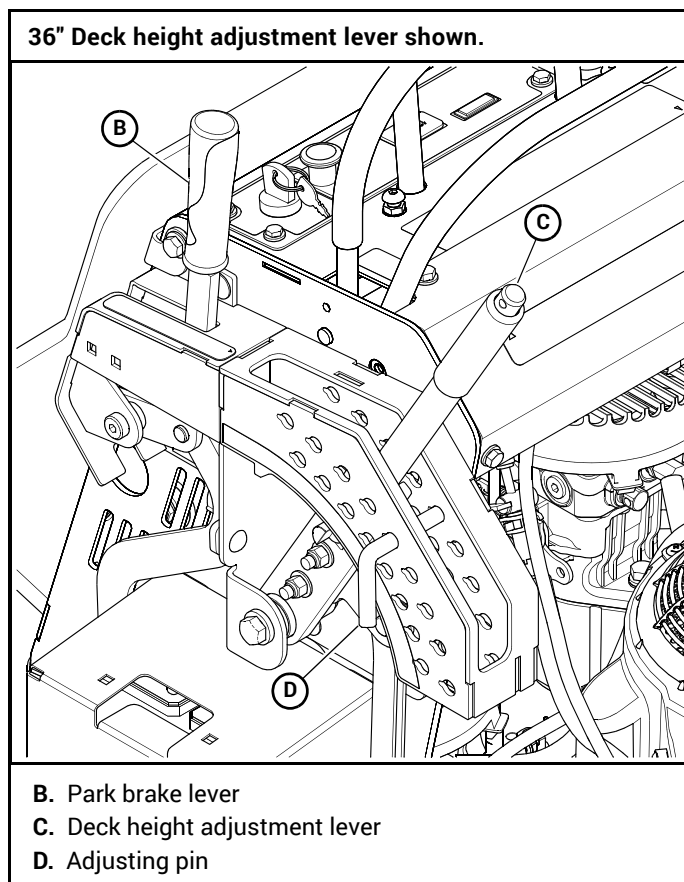
G. Fuel gauge

Figure 3-4



A. Steering control levers

Figure 3-5



B. Park brake lever  
C. Deck height adjustment lever  
D. Adjusting pin

Figure 3-6

**IMPORTANT:** Repair this important safety feature immediately if it malfunctions.

This safety feature prevents mower runaway or accidental entanglement during operation.

**Check the mower’s safety start interlock system daily, prior to operation.**

**There are three different system checks to perform.**

#### System Check 1

**Checking the operator presence switch and deck clutch switch**

1. Stand on the operator’s platform when testing the operator presence switch.

## Controls

**A. Steering control levers (Figure 3-5)** – these levers control the mower’s speed, direction, and stopping.

**B. Park brake lever (Figure 3-6 & Figure 3-7)** – Push the lever back and down to engage the park brake. Pull the lever up and forward to release the park brake.

### WARNING

The parking brake may not hold the mower if parked on a slope. Block or chock the machine when parked on a slope.

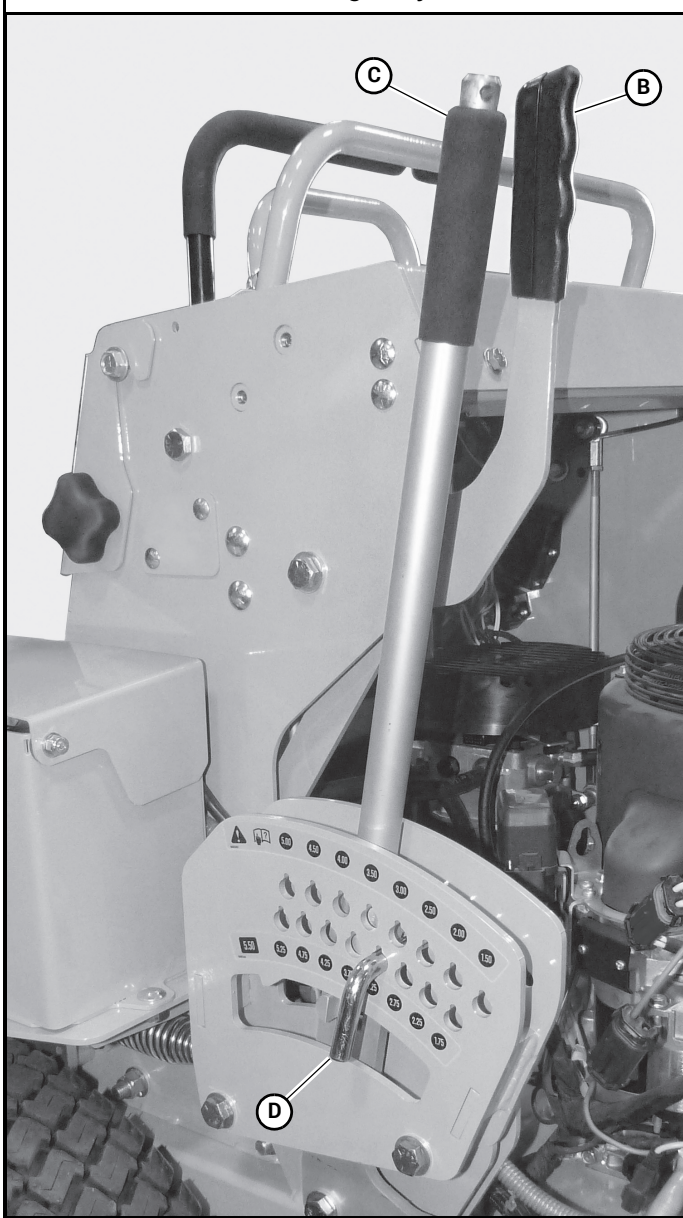
**C. Deck height adjustment lever (Figure 3-6 & Figure 3-7)** – the deck height adjustment lever is used to raise or lower the deck. Place the deck height adjustment lever in the transport position. Pull the adjusting pin out of the hole that it is in and insert it into the desired cutting height hole. Slide the deck height adjustment lever out of the transport position and move the lever until it rests against the adjusting pin.

Place the deck height adjustment lever in the transport position when driving the mower from one location to another with the blades disengaged (OFF).

## Safety Start Interlock System

The mower’s safety start interlock system consists of the park brake switch, operator presence switch, deck clutch switch, and neutral switch.

48"/52"/60" Mowers deck height adjustment lever shown.



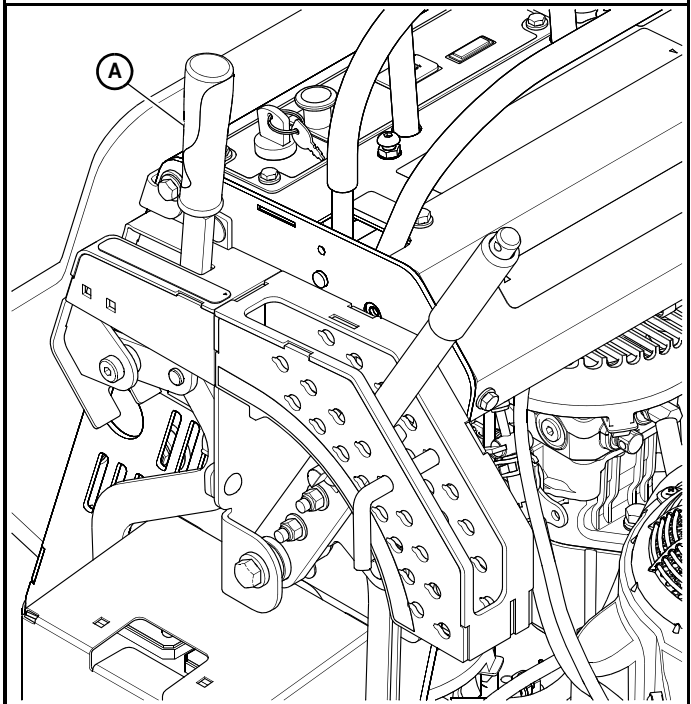
- B. Park brake lever
- C. Deck height adjustment lever
- D. Adjusting pin

Figure 3-7

2. Place both steering control levers in the neutral position.
3. Place the park brake lever in the engaged park brake position. Figure 3-8 & Figure 3-9
4. Start the engine and allow it to warm up to operating temperature.
5. With the deck clutch switch down (deck blades disengaged), slowly step off the operator's platform. **The engine should continue to run.**
6. Stand on the operator's platform again and move the park brake lever to the disengaged position.
7. Pull the deck clutch switch up (deck blades engage).

8. With the deck clutch switch up (deck blades engaged), slowly step off the operator's platform. **The engine should stop.**
9. **If the engine fails to function as it should in either Step 5 or Step 8 contact your Hustler® Dealer to replace the operator presence switch.**

36" Deck park break lever.



- A. Park brake lever

Figure 3-8

### System Check 2

#### Checking the park brake switch

1. Stand on the operator's platform when testing the park brake switch.
2. Place both steering control levers in the neutral position.
3. Place the park brake lever in the disengaged park brake position.
4. With the deck clutch switch down (deck blades disengaged), try to start the engine. **The engine should not start.**
5. **If the engine starts, contact your Hustler® Dealer to replace the park brake switch.**

### System Check 3

#### Checking the neutral switch

**NOTE:** The brake switch must be working properly before the neutral switch can be checked.

1. Stand on the operator's platform.
2. Set both steering control levers in the neutral position.

### 48"/52"/60" Mower shown



A. Park brake lever

Figure 3-9

3. Place the park brake lever in the engaged park brake position.
4. Start the engine and allow it to warm up to operating temperature.
5. Move one of the steering control levers out of the neutral position. **The engine should stop.**
6. Re-start the engine.
7. Move the other steering control lever out of the neutral position. **The engine should stop.**
8. **If the engine fails to stop contact your Hustler® Dealer to replace the neutral switch.**

### WARNING

The safety interlock system should always function per the above System Checks. If it does not function properly, correct it immediately. Do not operate machine without a properly functioning operator presence switch, neutral switch, or park brake switch.

## Engine Starting

The mower's safety start interlock system is also designed to protect the operator and others from accidental injury due to unintentional engine starting. The engine starting motor will not engage until:

1. The park brake lever is in the engaged park brake position.
2. The steering control levers are in the neutral position.

3. The deck clutch switch is in the down (deck blades disengaged) position.

### WARNING

The safety interlock system must not be disconnected or bypassed. Doing so could cause the machine to operate unexpectedly resulting in personal injury.

Start the engine by following these steps. If you encounter difficulty, contact your Hustler® Dealer.

1. Make sure the park brake lever is in the engaged park brake position, the steering control levers are in the neutral position and the deck clutch switch is disengaged (mower blades disengaged). **Start the engine from the operator's position only.**
2. Use the choke, if the unit is equipped with one, when the engine is cold, or if a warm engine fails to start within 5 seconds of cranking. Avoid flooding by operating the engine without choking as soon as possible.
3. Set the throttle at approximately the 1/2 open position.
4. Insert the key in the ignition switch and rotate it clockwise to engage the starting motor. Release the key when the engine starts.  
**IMPORTANT:** The engine starter should not be operated for periods longer than 30 seconds at a time. At least two minutes between such cranking periods to protect the starter from overheating and burning-out.
5. As soon as the engine begins to run, check to make certain all engine warning lights are off. If not, stop the engine immediately and check for the cause.
6. Perform the test shown in the *Safety Start Interlock System* section to make sure the safety start interlock system operates properly.
7. Allow the engine to idle two minutes before advancing the throttle and/or engaging the deck clutch.

## Stopping the Engine

Use the following procedure to shut the engine off.

1. Place the steering control levers in the neutral position.
2. Throttle the engine back to low idle, then disengage the deck clutch. Refer to the *Mower Deck Operation* section for more details.
3. Place the park brake lever in the engaged park brake position.
4. Let the engine run at low idle for two minutes.
5. Rotate the ignition key counter-clockwise to the "OFF" position. Remove the key from the switch before leaving the mower.

## Moving the Mower With Stalled Engine

If it becomes necessary to move the mower when the engine is inoperative, the hydraulic pumps are equipped with bypass valves. Figure 3-10

The bypass valve is located near the top on each hydraulic pump and is identified as a hex stud.

Before moving the unit:

- Rotate the bypass valves counterclockwise one-half to one revolution. Figure 3-10
- Place the steering control levers in the neutral position.
- Place the park brake lever in the disengaged position to release the park brake.

Do not tow the machine. Move it by hand or use a winch to load on a trailer for transporting.

When transporting on another vehicle, the mower should be facing forward and it must be secured using the tie-down points. Figure 3-11

Close the fuel shut-off valve when transporting or storing the mower.

Always make certain the two bypass valves are returned to their operating position before attempting to use the mower following repairs.

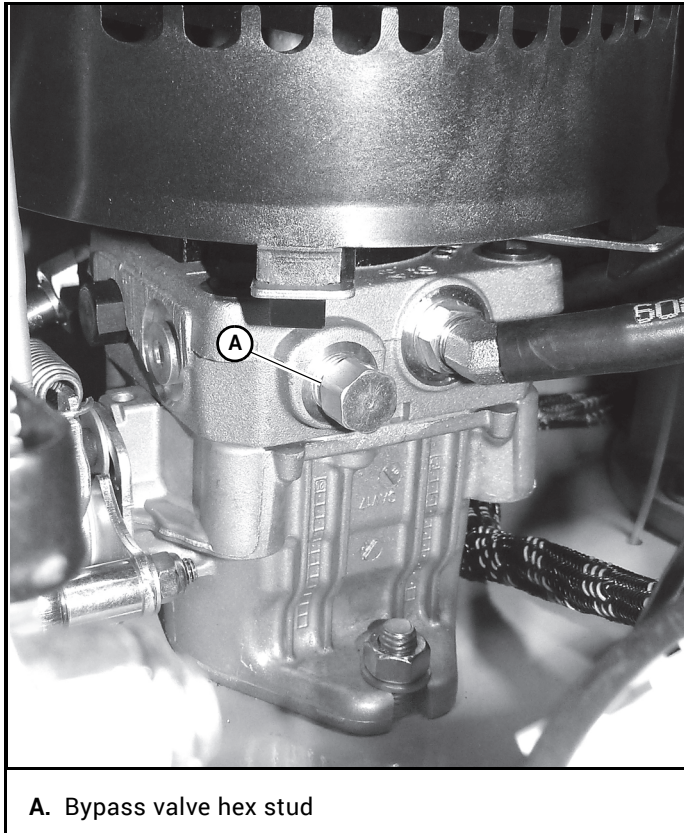


Figure 3-10

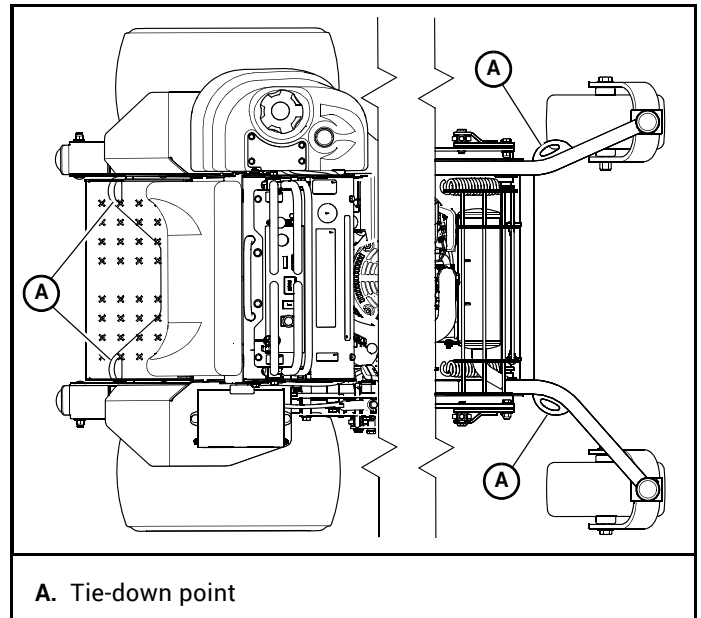


Figure 3-11

## Mower Operation

This mower features the SmoothTrak™ steering system. The following provides you with detailed information on how to operate the mower efficiently.

### Driving the Mower



Never make sudden stops or reverse direction, especially when maneuvering on a slope. The steering is designed for sensitive response. Rapid movement of the control levers in either direction could result in a reaction of the mower that can cause serious injury.

After starting the engine, engage the steering control levers and steer as follows:

**To go forward**, push the steering control levers forward an equal distance. Figure 3-12

**To go in reverse**, pull the steering control levers rearward an equal distance. Figure 3-12

**To turn left**, move the right steering control lever farther forward from neutral than the left steering control lever.

**To turn right**, move the left steering control lever farther forward from neutral than the right steering control lever. Figure 3-12

**Zero radius turn**, move one steering control lever forward and the other steering control lever back of neutral. This allows the drive wheels to counter-rotate. Figure 3-12

**To stop or decrease speed**, move steering control levers to neutral. When going forward pull back gently on steering control levers. When going in reverse push forward gently on steering control levers.

**For emergency stops**, when traveling forward or rearward, place the steering control levers in the neutral position and

move the park brake lever to the engaged park brake position immediately.

**⚠ DANGER ⚠**

When moving in the rearward direction push forward gently on steering control levers and avoid sudden movement. Any sudden movement could cause the front of the mower to come off of the ground resulting in possible loss of control, causing serious injury or death.

**To make a three point turn to the right:**

1. Move the left steering control lever farther forward from neutral than the right steering control lever and start the turn. Figure 3-13
2. Next, pull back on the steering control levers until they pass neutral and the machine starts to go rearward. Figure 3-13
3. Pull the right steering control lever farther rearward from neutral than the left steering control lever until the rear of the machine pivots around. Figure 3-13
4. Then, push the steering control levers forward until they both pass neutral and the machine starts to go forward. Figure 3-13
5. Push the left steering control lever farther forward from neutral than the right steering control lever and finish the turn. Figure 3-13

**⚠ WARNING ⚠**

Always be aware of what is behind the machine before backing up. Do not mow in reverse unless absolutely necessary. Always look down and behind before and while backing up.

**IMPORTANT:** Damage to the hydraulic system components may occur with rapid movement of the steering controls.

**To increase speed,** increase the steering control lever's distance from neutral. The farther forward the steering control levers are from neutral, the faster the mower will travel forward. The farther back the steering control levers are from neutral, the faster the mower will go in reverse.

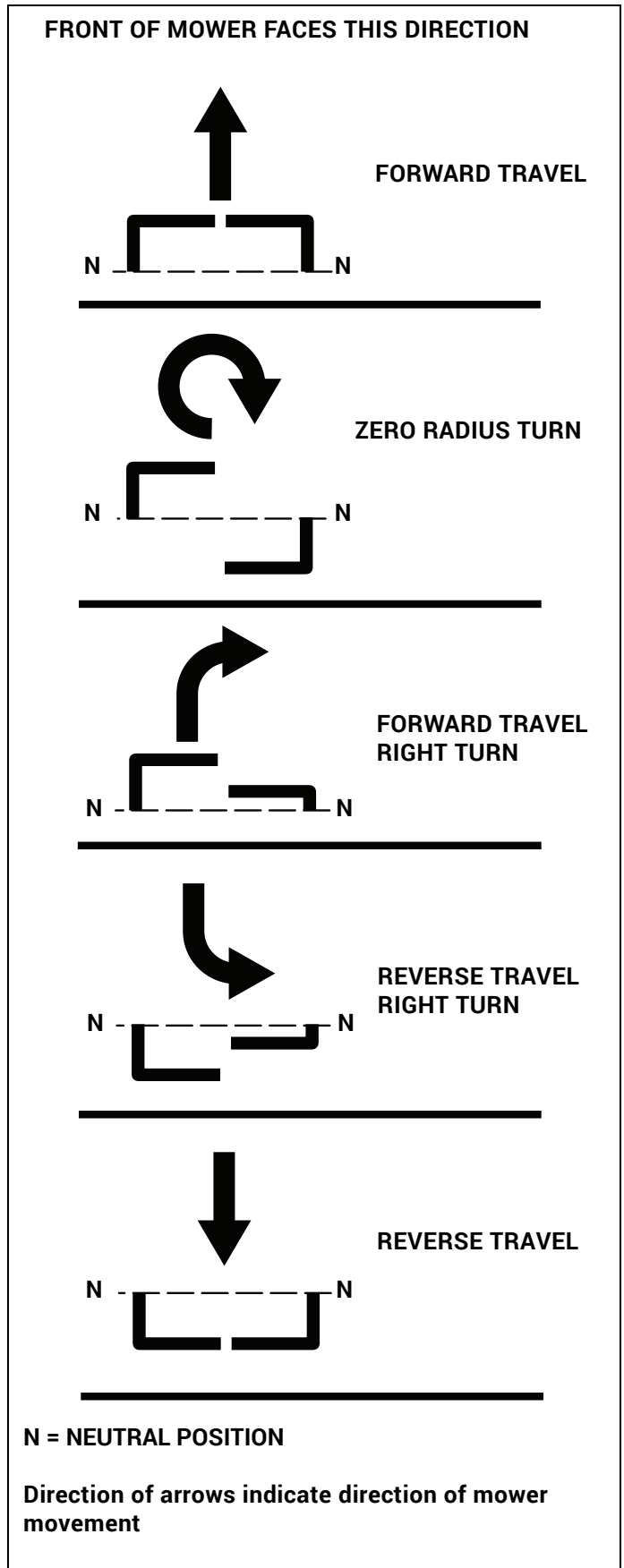
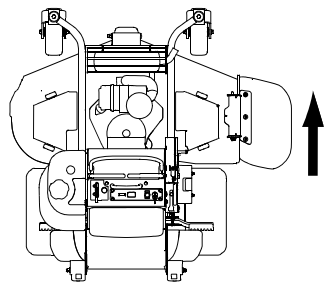


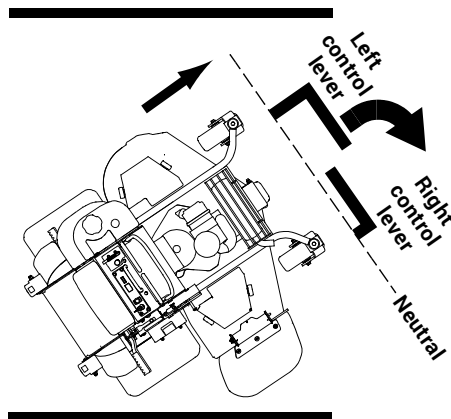
Figure 3-12



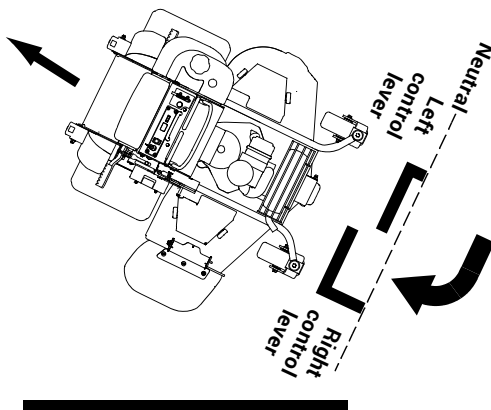
## THREE POINT TURN



Step 1



Step 2



Step 3

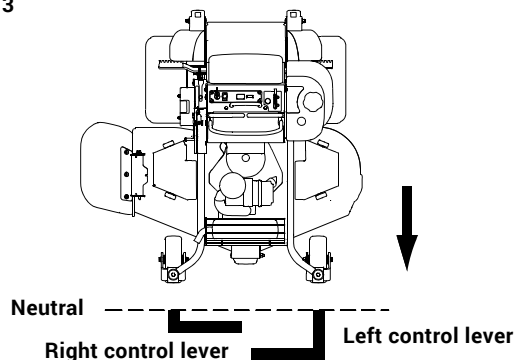


Figure 3-13

## Operating Suggestions



**⚠ DANGER**

An inexperienced operator should not operate on slopes or on uneven terrain.

Before attempting normal speed operation an inexperienced operator should:

- be thoroughly familiar with the proper use and operation of the equipment.
- read the manual completely and thoroughly.
- have attempted slow moving maneuvers.



**⚠ WARNING**

If you lose steering control while operating the mower, turn the engine off and, if on a slope, step off of the operator's platform to the uphill side. Inspect the machine and involve your Hustler® Dealer to resolve the problem before continuing to operate.



**⚠ WARNING**

The unit's steering control levers are very responsive: Easy does it! For smooth operation, move the levers slowly, avoiding sudden movement. Skill and ease of operation come with practice and experience. The machine can spin very rapidly. Use caution when making turns and slow down before making sharp turns.

Inexperienced operators may have a tendency to oversteer and lose control. Practice slow maneuvers at low engine rpm (idle) on a flat open area before attempting normal speed operation.



**⚠ WARNING**

Sharp depressions or raised obstacles (such as gutters or curbs) should not be directly approached at high speed in an attempt to "jump" them as the operator could be thrown from the equipment. Disengage the deck clutch and raise the deck to the transport position. Approach at a slow speed and angle one drive wheel at the obstruction. Continue at an angle until the wheel clears and then pivot the opposite wheel around.

When turning on soft wet turf, keep both wheels rolling either forward or backward. Pivoting on one stopped wheel can damage turf, especially when mowing.

Set the throttle at full rpm for maximum performance. This gives maximum power to the drive wheels and deck when needed. The throttle setting directly controls blade speed. Use the control levers to control ground speed rather than engine rpm.

**Keep blades sharp. Many problems with incorrect cutting patterns are due to dull blades or blades which have been sharpened incorrectly.** Information on sharpening blades is listed in this manual's maintenance section. **Blade sharpness should be checked daily.**

**⚠ DANGER**

Never work with blades while the engine is running or deck clutch switch is engaged (on).

Always place the deck clutch switch in the disengaged position, place park brake lever in the engaged park brake position, turn the engine off and disconnect the negative battery cable.

Block the mower up when you must work under it.

Wear gloves when handling blades.

Always check for blade damage if the mower strikes a rock, branch or other foreign object during mowing!

**Direct grass discharge to the right**, away from the unmowed area. Generally, this means using a pattern of **left turns**. Avoid throwing grass discharge onto unmowed area. Mowing clippings puts an unnecessary load on the unit and reduces mowing efficiency.

**When mowing a lawn for the first time** cut grass slightly longer than normal to avoid scalping uneven terrain. When cutting grass taller than six inches, you may want to mow the lawn twice to achieve a better quality of cut.

**During normal mowing cut off only about 1/3 of the grass blade.**

**Alternate the mowing direction** to keep the grass growing straight and for better dispersion of the clippings.

**Remember, grass grows at different rates** at different times of the year. Mow more often in the early spring to maintain the same cutting height. As the growth rate slows in midsummer, mow less frequently. If you cannot mow at a regular interval, mow at a high cutting height; then mow again two days later at a lower cutting height.

**Raise the cutting height of the mower** if the cutting width of the mower is wider than the previous mower. This ensures that uneven turf is not cut too short.

**Raise the cutting height of the mower** if the grass is slightly taller than normal or if it contains a high degree of moisture. Then mow it again with the cutting height set lower.

**If the machine's forward motion** must be stopped while mowing, a clump of grass clippings may drop onto your lawn. To avoid this, move onto a previously cut area with the blades engaged.

**⚠ WARNING**

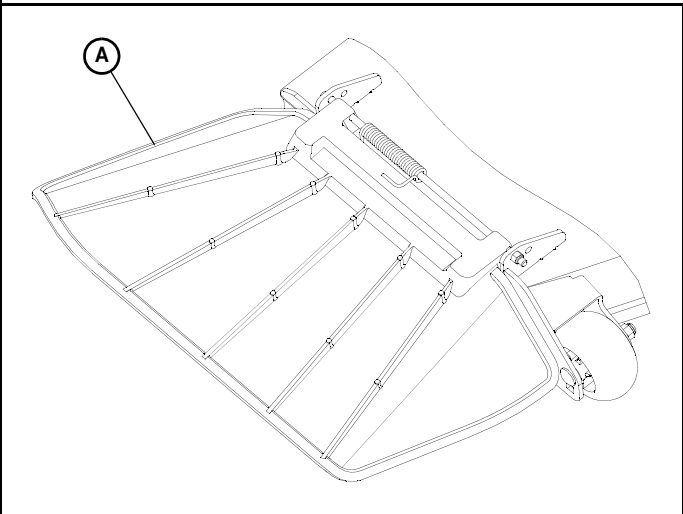
Never direct the discharge of material from the mower deck toward bystanders.

- Never operate the mower deck with the discharge chute damaged, altered, removed, or in the raised position, except when the entire grass catcher attachment or mulching system is being used. Figure 3-14

**⚠ DANGER**

Never attempt to make any adjustments to the mower deck while the engine is running or with the deck drive clutch engaged. Mower blades cannot be seen and are located very close to the deck housing. Fingers and toes can be cut off instantly.

**Discharge chute may vary from this illustration**



A. Discharge chute

Figure 3-14

### Deck Clutch Operation

**Before beginning operation, check to make sure the deck clutch switch is engaging and disengaging the blades properly.**

**⚠ WARNING**

Make sure that the area around and under the deck is clear and that there are no bystanders in the immediate area before proceeding.

#### To check the deck clutch switch:

1. Start the engine and engage the deck clutch.
2. With the deck clutch switch up (clutch engaged) and the engine running, listen to confirm that the mower blades are rotating.
3. Now, push the deck clutch switch down (clutch disengaged), and with the engine running, listen to confirm that the blades have stopped rotating.
4. If the mower blades continue to rotate with the deck clutch switch down, discontinue operation immediately and contact your Hustler® Dealer.

#### Follow these procedures to maximize clutch life.

1. **Engage the clutch** only when the throttle is set at approximately **2/3 throttle** and there is **no load** on the

blades. After clutch engagement, advance the engine throttle to full rpm.

Engaging the deck clutch at high engine rpm or when under heavy load (in tall grass, for example) can cause belts and/or electric clutch to slip, resulting in premature wear or possible damage.

2. **Disengage the clutch** only when the throttle is set at **less than 1/2 throttle**.

Never disengage the clutch with the engine running at high rpm. Setting the throttle to less than 1/2 throttle when disengaging the clutch will help extend clutch life.

**Warranty will not be allowed** for deck clutches that fail due to improper engagement and disengagement practices.

### Deck Cutting Height Adjustment

Deck cutting height is adjustable in 1/4" (6.4 mm) increments.

To adjust the cutting height, pull up on the deck height adjustment lever and latch it in the deck transport position. Pull the adjusting pin out of the hole that it is in and insert it into the desired cutting height hole. Slide the deck height adjustment lever out of the transport position and move it until it rests against the adjusting pin. Figure 3-15 & Figure 3-16

When transporting the mower pull up on the deck height adjustment lever and latch it in the deck transport position. Also, when loading or unloading the mower onto a truck or trailer place the deck in the transport position.



Always stop the mower before moving the deck height adjustment lever to prevent the operator from slipping or falling.

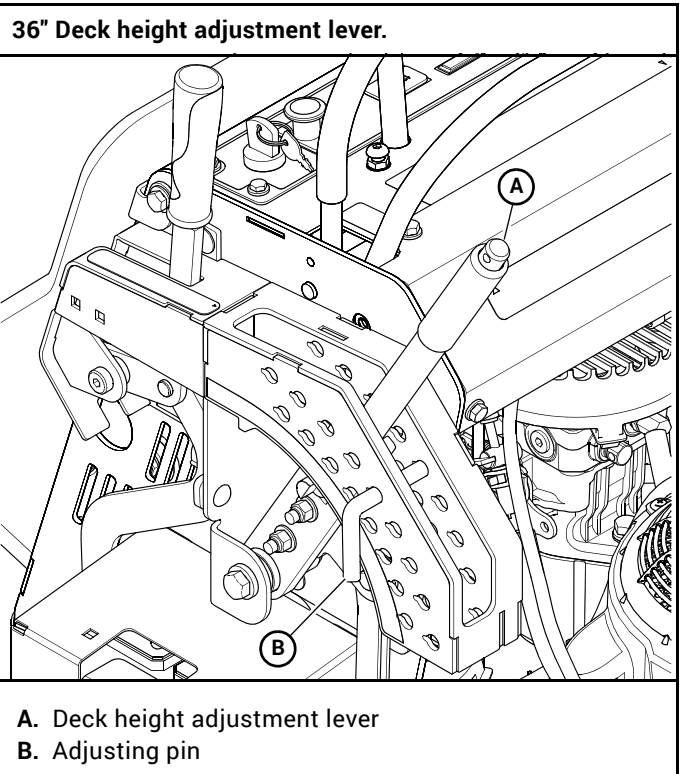
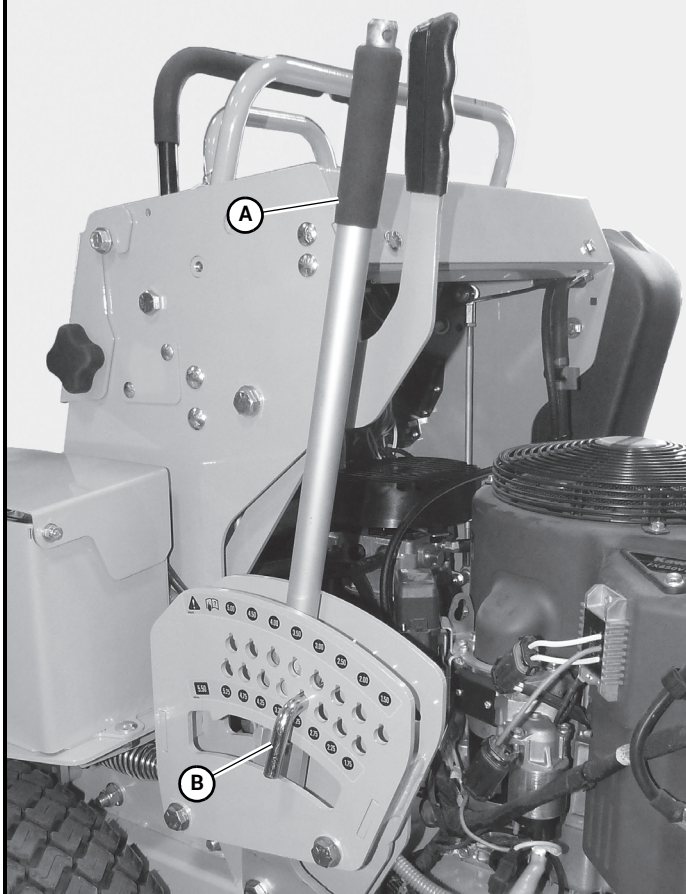


Figure 3-15

**48"/52"/60" Deck height adjustment lever.**



- A. Deck height adjustment lever
- B. Adjusting pin

**Figure 3-16**

### Anti-scalp Wheels

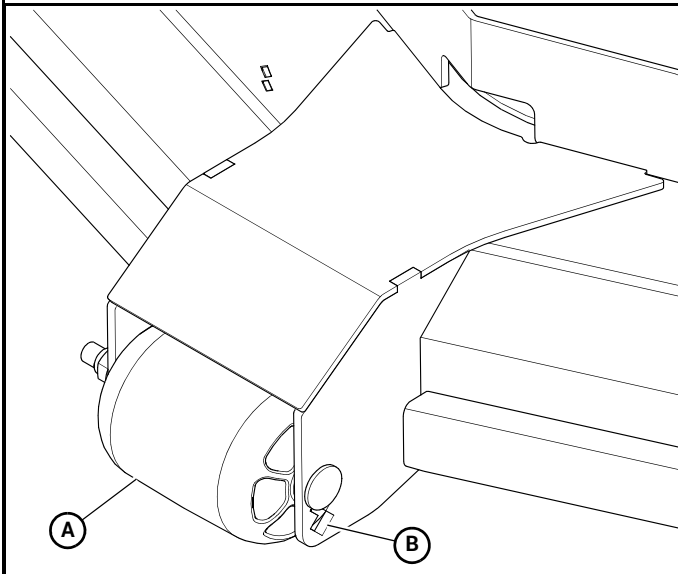
Anti-scalp wheels are standard on these mowers. These wheels are designed to minimize scalping when mowing on rough uneven terrain. Figure 3-17, Figure 3-18, & Figure 3-19

The anti-scalp wheels can be installed in two positions. With the wheel mounted in the **bottom hole**, the wheel is located 2.00" (50.8 mm) below the mower blades. This setting is preferred when mowing at cutting heights of 2.50" (63.5 mm) or higher.

When the wheel is mounted in the **top hole**, it is located 1.00" (25.4 mm) below the mower blades. This is the acceptable setting for mowing at cutting heights of 1.50" (38.1 mm) or higher.

When adjusting the rear anti-scalp wheels, the wheel should be in the same axle mount hole as the front anti-scalp wheels.

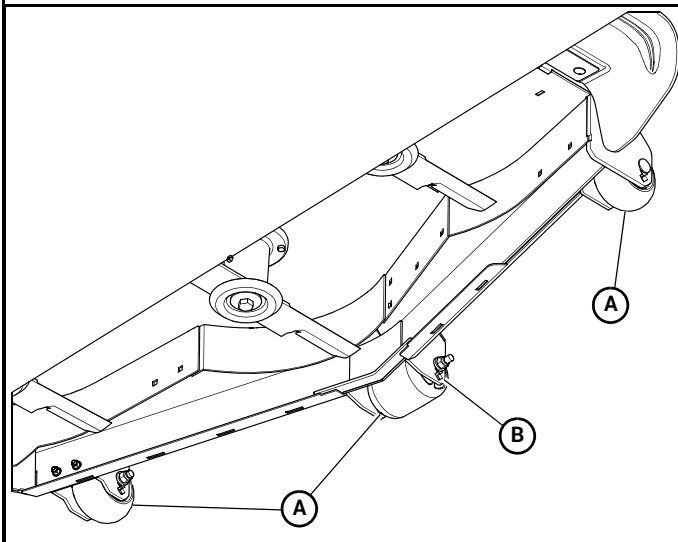
**48"/52" Front anti-scalp wheel**



- A. Anti-scalp wheel
- B. Adjusting holes

**Figure 3-17**

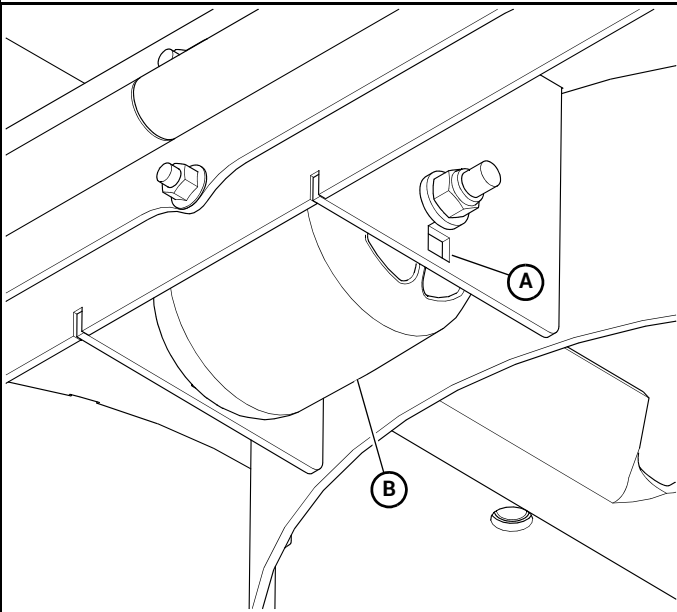
**60" Front anti-scalp wheel**



- A. Anti-scalp wheel
- B. Adjusting holes

**Figure 3-18**

**48"/52"/60" Rear anti-scalp wheel**



- A. Lower adjusting hole
- B. Rear center anti-scalp roller

**Figure 3-19**



# MAINTENANCE & ADJUSTMENTS

## Safe Servicing Practices

---

Refer to the *Safety Precautions* section of this manual for more service safety information.

## Service Introduction

---

Regular maintenance is the best prevention for costly downtime or expensive, premature repair. The following pages contain suggested maintenance information and schedules which the operator should follow on a routine basis. For more detailed information order the correct Parts Manual and General Service Manual for your unit. Refer to the *Product Literature* section of this manual for more information.

Remain alert for unusual noises, which could signal a problem. Visually inspect the machine for any abnormal wear or damage. A good time to detect potential problems is while performing scheduled maintenance service. Correcting the problem as quickly as possible is the best insurance.

Clear away heavy build-up of grease, oil and dirt, especially in the engine and hydraulic component areas; minute dust particles are abrasive to close-tolerance engine and hydraulic assemblies.

**Inspect mower daily** for grass clippings and wire or string tangles. The underside of the mower deck will collect a build-up of grass clippings and dirt, especially when grass is wet or has high moisture content. This build-up will harden, restricting blade and air movement which will probably result in a poorer quality of cutting. Therefore, it should be removed routinely. To do this it will be necessary to raise and block the deck using jack stands or blocks in the full up position. Scrape the build-up off from underneath.

Some repairs require the assistance of a trained service mechanic and should not be attempted by unskilled personnel. Consult your Hustler® service center when assistance is needed.

## Torque Values

---

<b>WARNING</b>	Particular attention must be given to tightening the drive wheel lug nuts and blade spindle bolts. Failure to correctly torque these items may result in the loss of a wheel or blade, which can cause serious damage or personal injury.
----------------	---

Torque values are given below:

	ft-lbs	N•m
Wheel (lug) nuts . . . . .	70 . . . . .	95
Blade spindle bolt top . . . . .	73 . . . . .	99
Blade spindle bolt bottom . . . . .	118 . . . . .	160
Wheel motor nut . . . . .	230 . . . . .	312

**Lug nuts only** - It is recommended that these be checked after the first 2 hours of operation, initially, every 50 hours and following removal for repair or replacement.

For all other torques refer to the mower's *General Service Manual* for standard torque chart. See *Product Literature* section for ordering information.

For engine torque values, refer to the engine owner's manual.

## Tires

---

It is important for level mowing that the tires have the same amount of air pressure. The recommended pressures are:

Drive wheels . . . . . 8–12 psi (55–83 KPa)

**Only pneumatic tires are approved for the drive tires on this mower.** Warranty claims will be denied on any mower equipped with non-pneumatic tires.

## Lubrication

---

Use SAE multi-purpose grease.

## Electrical System

---

**IMPORTANT:** Refer to the *Safety* section of this manual for detailed battery servicing safety information.

The electrical system is a 12 volt, negative ground. The recommended battery size is:

Garden tractor BCI group U1R with a 225 or better cranking AMP rating.

A maintenance-free battery is recommended. Otherwise, follow battery manufacturer's maintenance, safety, storing and charging specifications.

### System Fuses

The electrical system for this mower includes three fuses:

- A. Master in-line fuse (30 amp)** – Main fuse to protect the complete electrical system. It is located at the right rear of the engine next to the solenoid. Figure 4-1
- B. Deck clutch fuse (15 amp)** – This fuse protects the deck clutch. It is located under the right front of the control panel. Figure 4-2 & Figure 4-3
- C. Ignition/Safety system fuse (10 amp)** – This fuse protects the ignition and safety circuit components. It is located under the right front of the control panel. Figure 4-2 & Figure 4-3

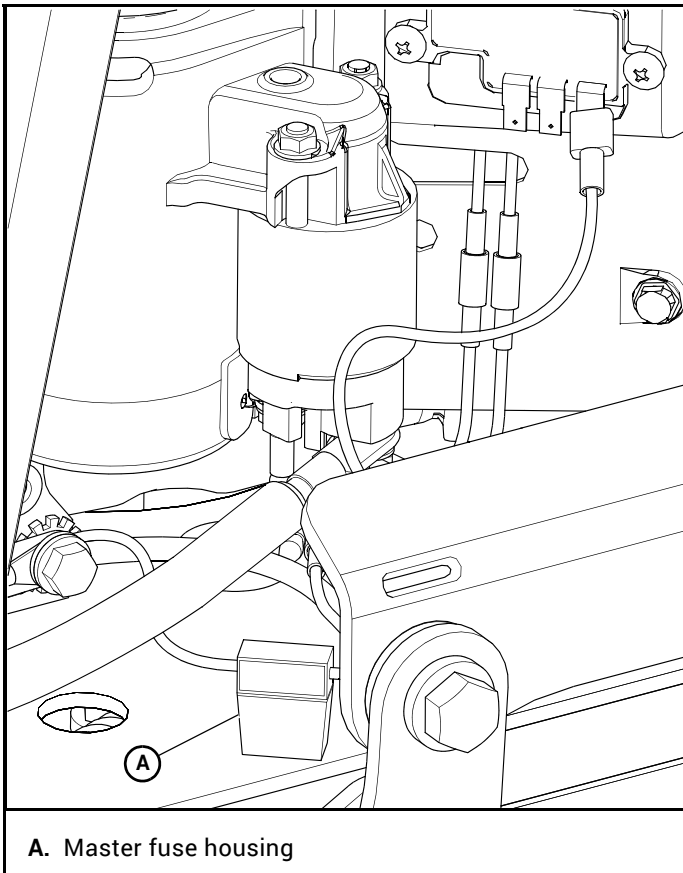


Figure 4-1

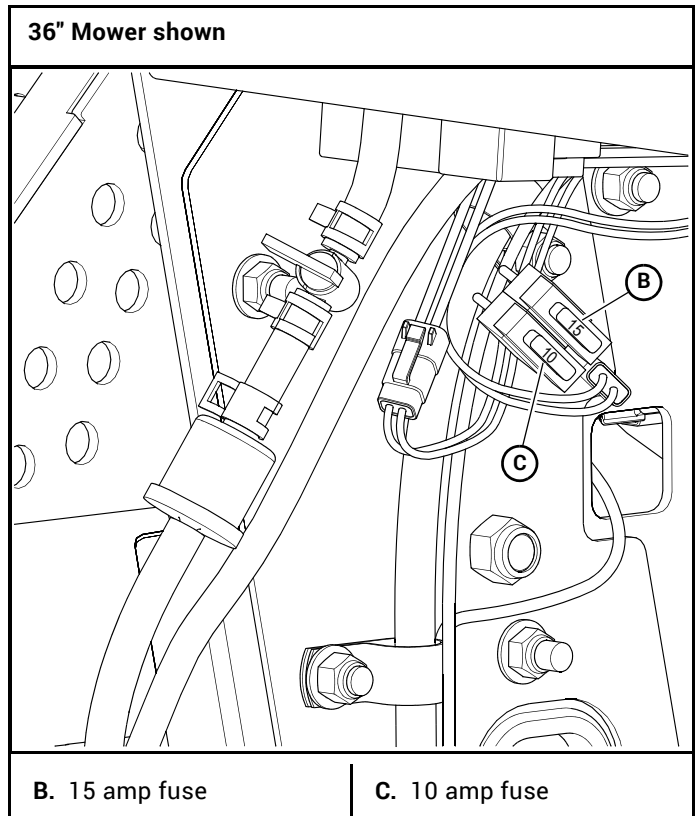


Figure 4-2

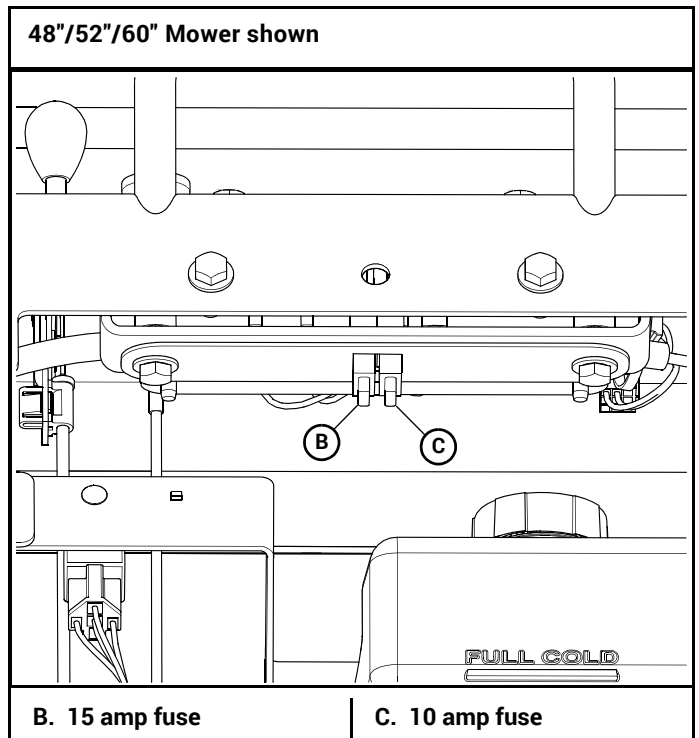


Figure 4-3



## Hydraulic System

Refer to the Hustler® Super S® General Service Manual (P/N 127180) for complete hydraulic oil and filter change procedures.

**IMPORTANT:** Never use hydraulic or automatic transmission fluid in this system; use only synthetic motor oil as specified. Remember, dirt is the primary enemy of any hydraulic system.

### WARNING

Hydraulic fluid escaping under pressure may have sufficient force to penetrate skin and cause serious injury. Foreign fluid injected into the skin must be surgically removed within a few hours by a doctor, familiar with this form of injury, or gangrene may result.

Before applying pressure to hydraulic system, make sure all connections are tight and all hoses and lines are in good condition. To find a leak under pressure, use a piece of cardboard or wood – never use your hands. Relieve all pressure in the system before disconnecting or working on hydraulic lines. To relieve pressure, lower all attachments and shut off engine.

Check oil level in hydraulic system after every 50 hours of operation or weekly, whichever occurs first. The hydraulic system must be cool when checking the oil level and the mower should be on level ground. Check more often if system appears to be leaking or otherwise malfunctioning.

Use the hydraulic reservoir's see through reservoir or sight glass to check the reservoir fluid level. The oil level should be at the cold fill line or approximately in the middle of the sight glass. Figure 4-4 & Figure 4-5

Use 15W50 or 20W50 synthetic oil when changing the system oil and filter. For maximum transmission life, use Hustler® 100% Synthetic 20W50 Hydrostatic Transmission Oil.

**NOTE:** The reservoir (Figure 4-6 & Figure 4-7) will require approximately 1.0 U.S. gallons (3.78 liters) of full synthetic **15W50 or 20W50** oil when replacing the oil after an oil and filter change. **Do not** overfill the reservoir.

Initial system oil and filter change **must** be after the first 50 hours of mower operation. Thereafter, replace filter and oil in the reservoir annually or every 500 hours, whichever comes first.

**IMPORTANT:** It is necessary to drain the system oil from the hydraulic reservoir, using the reservoir drain plug, before removing the hydraulic filter. Replace the drain plug before adding system oil.

The system filter is located at the left rear of the engine. Use a Hustler® approved filter element only. When changing the filter use a standard oil filter wrench. The threads are right hand. Figure 4-8

**IMPORTANT:** Pre-fill the filter element with clean oil before installing, to prevent drawing air into the system pump.

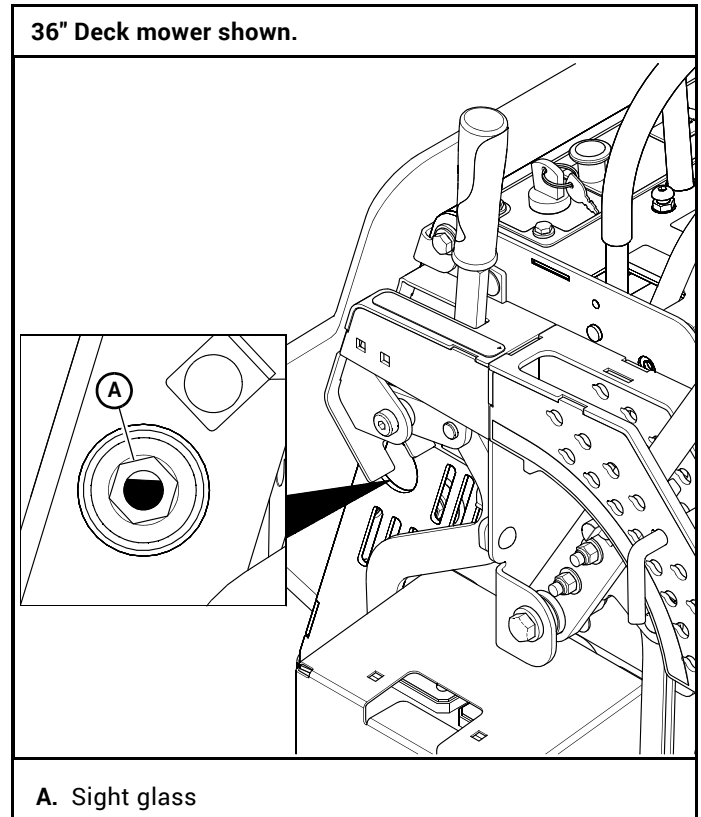


Figure 4-4

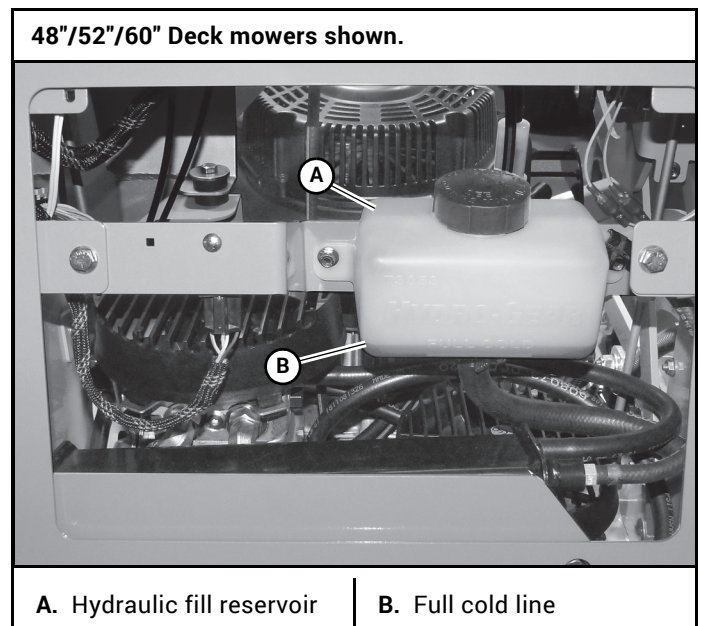


Figure 4-5

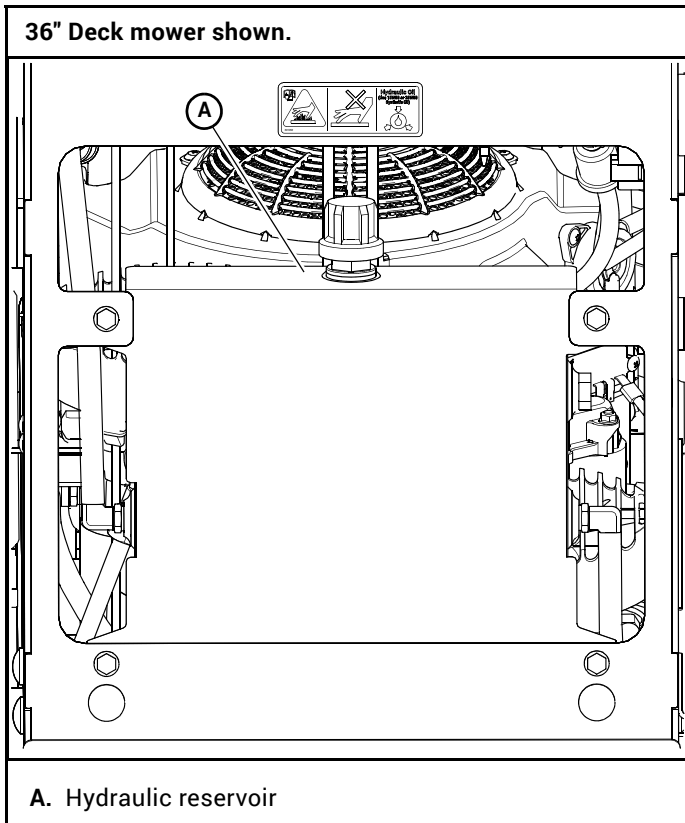


Figure 4-6

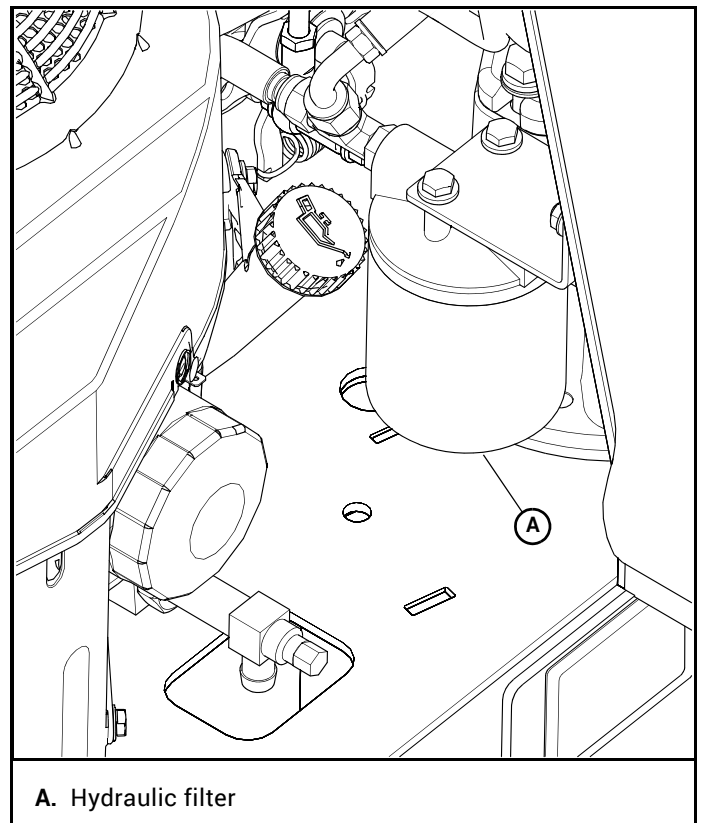


Figure 4-8

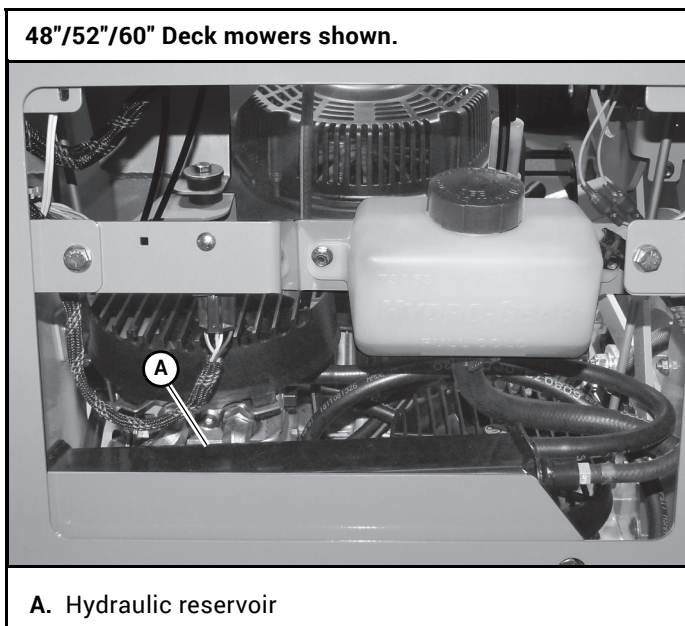


Figure 4-7

## Fuel and Evaporative Emissions Control System

**IMPORTANT:** Refer to the *Safety* section of this manual for fuel handling safety information.

**IMPORTANT:** Refer to the engine owner's manual for additional emissions control information

Use only Hustler® approved replacement parts.

Your evaporative emission control system may include parts such as:

- fuel tanks
- fuel lines
- fuel line fittings
- fuel caps
- carbon canisters
- canister mounting brackets
- carburetor purge port connection
- filters
- vapor hoses
- clamps, control valves
- control solenoids
- electronic controls
- vacuum control diaphragms
- purge valves
- liquid/vapor separator
- other associated components



Use of replacement parts not equivalent to the original parts may result in system failure and pose a safety hazard.

The fuel tank is located to the left of the operator platform. Park the mower on level ground before filling the fuel tank.

Clean the area around the fuel cap before removing the cap. Remove the fuel cap slowly.

When threading the fuel cap onto the filler neck, tighten the cap until it begins to click, then, continue to turn it until at least three clicks are heard.

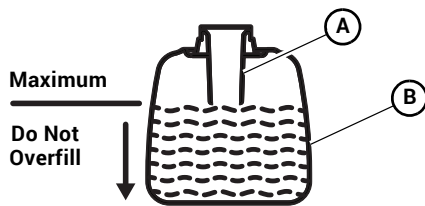
**IMPORTANT:** Do not overfill the fuel tanks. The fuel tanks should be filled **no higher than the bottom of the fill neck.** (Figure 4-9) The fuel system is designed to leave room for the fuel to expand with fuel temperature changes.



Overfilling the fuel tank may cause the following:

- Engine damage
- Fire hazard!

Fill to the bottom of the filler neck



A. Filler neck

B. Fuel tank

Figure 4-9

Use regular unleaded gasoline with an octane rating of 87 or higher. Maximum of 10% ethanol (E10) in fuel. Fuels with greater than 10% ethanol (such as E15, E20 and E85) voids warranty. Fuels with greater than 10% ethanol are not approved for use and such illegal use could cause equipment failure and pose a fire hazard.

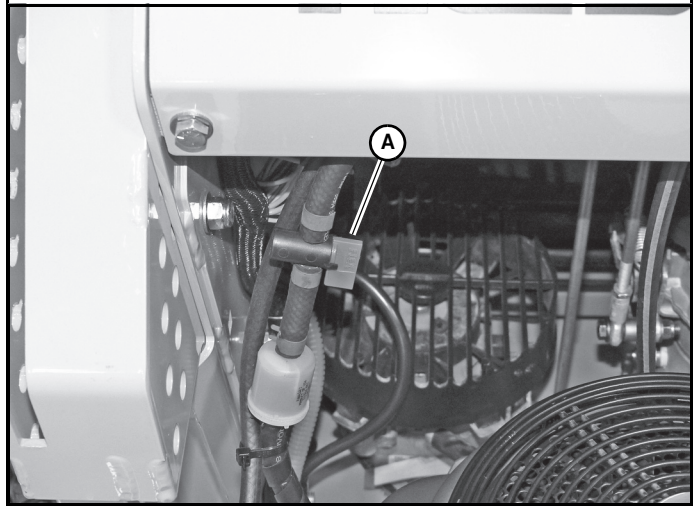
Refer to the *Engine Owner's Manual* for additional fuel specification requirements.

### Fuel Shut-off Valve

This mower is equipped with a fuel shut-off valve. It is located under the right front of the control panel.

When closed the fuel shut-off valve prevents fuel flow to the engine. Figure 4-10

Valve shown in the open position

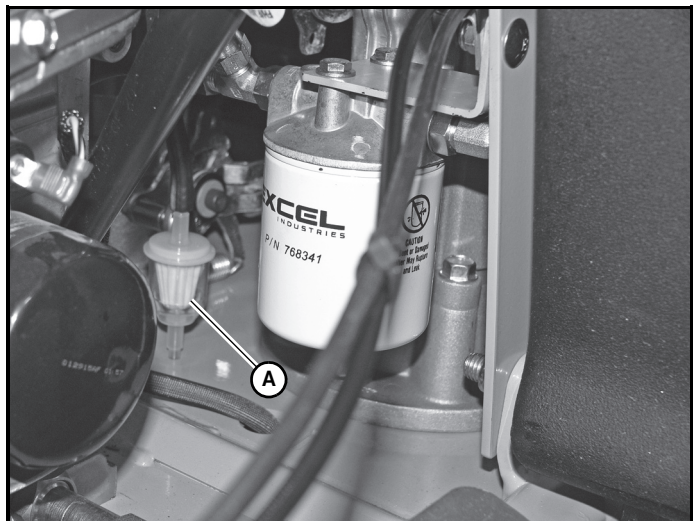


A. Fuel shut-off valve

Figure 4-10

### Fuel Evaporation System Filter

These mowers have a fuel evaporation system filter. This filter must be checked and replaced every 500 hours or annually whichever comes first. Figure 4-11



A. Fuel evaporation system filter

Figure 4-11

### Engine Oil and Filter



Allow the engine to cool before changing the engine oil. If the engine has been running, use caution when changing the engine oil as it will be very hot. You should wear the appropriate protective gear to avoid being burned or exposed to engine oil.

Check engine oil daily and after every 4 hours of operation. The machine must be sitting level when checking oil. Refer to

engine manual and maintenance schedule for oil recommendation and capacities. Hustler® Motor Oil is recommended.

Change the engine oil and filter after the first 5 hours of operation and per the engine manufacturer's recommendations after that. If mower is being operated in extremely dirty conditions, then it is recommended oil be changed more frequently.

**IMPORTANT:** After the new oil filter has been installed, clean up any oil which may have spilled onto the engine plate, engine exhaust system, and muffler guard.

#### Kawasaki engines – Draining the engine oil:

1. Locate the oil drain valve on the engine. Figure 4-12
2. Position a suitable oil drain container under the machine below the oil drain valve.
3. Twist the valve counterclockwise to open the valve. Allow 10 minutes for engine oil to adequately drain.
4. After the oil is drained, close the valve by turning it clockwise.
5. Once the valve is closed, clean up any spilled oil.

**IMPORTANT:** All oil drips or spills **must** be cleaned off of the engine plate, engine exhaust system, and muffler guard before operating the machine.

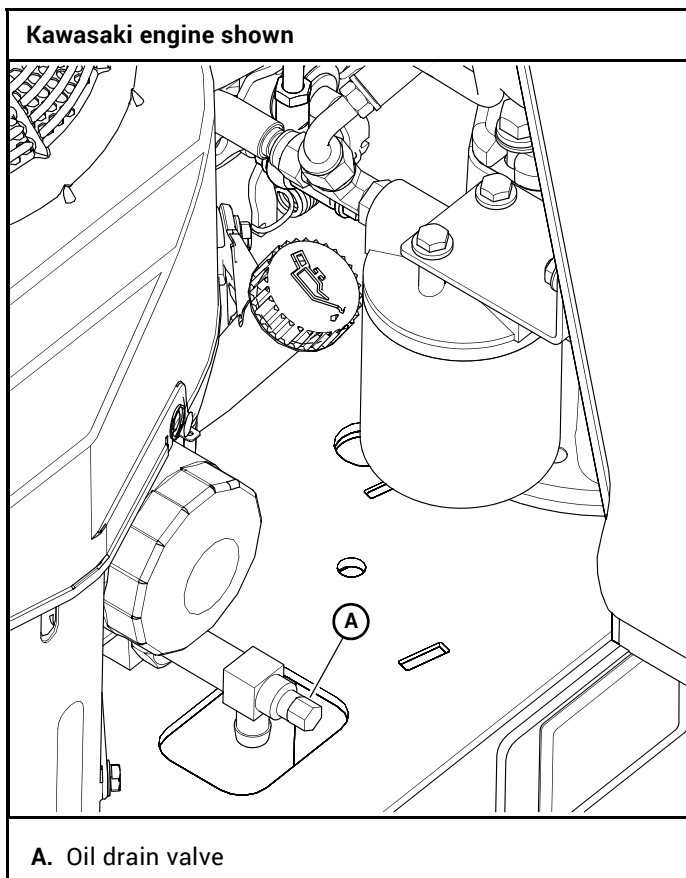


Figure 4-12

#### Vanguard EFI Engine with Oil Guard™ – Draining the engine oil:

1. Locate the oil drain valve on the bottom of the oil tank. Figure 4-13

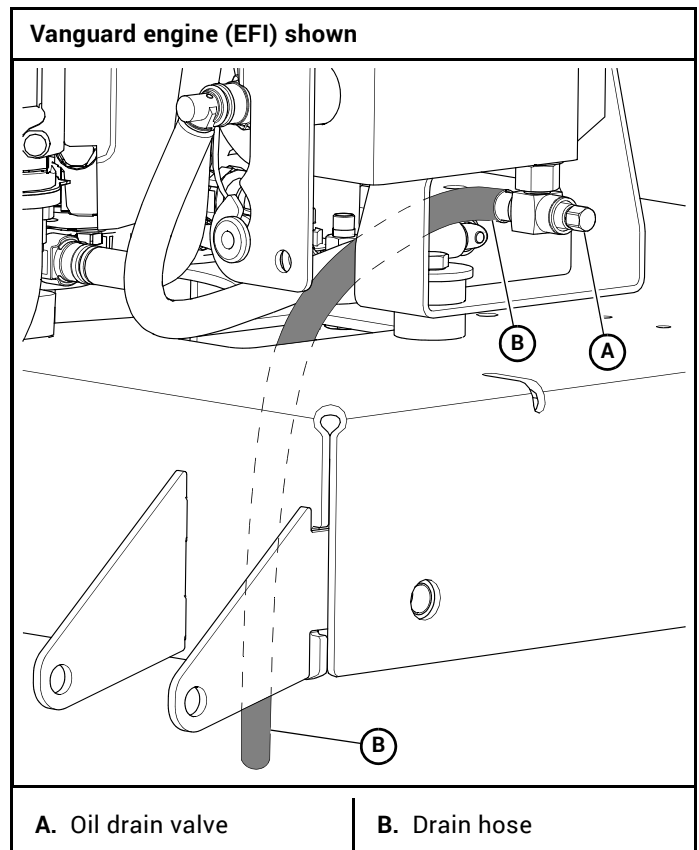


Figure 4-13

3. Locate the oil drain hose that was supplied with the machine. Be sure to clean and clear it of debris that might block the flow of the engine oil.
  4. Attach one end of the hose onto the oil drain valve nipple. Make sure the hose is pushed all the way onto the valve. Figure 4-13
  5. Position the loose end of the hose through the opening in the engine plate, so that it can drain into a suitable oil drain container.
- IMPORTANT:** Make sure the oil does not come in contact with the belts or clutch.
6. Position a suitable oil drain container under the machine below the end of the hose.
  7. Use a 10 mm wrench or socket and open the valve approximately 4 turns in the counterclockwise direction. Allow 10 minutes for engine oil to adequately drain.
  8. After the oil is drained, close the valve by twisting clockwise.
  9. Once the valve is closed, carefully remove the oil drain hose and clean up any spilled oil.

**IMPORTANT:** All oil drips or spills **must** be cleaned off of the engine plate, engine exhaust system, and muffler guard before operating the machine.

- Clean the oil drain hose and store it appropriately.

## Engine Air Filter

These mowers come equipped with two different styles of air filters; integrated or canister. The required servicing for these two filter types is different from one to the other. Refer to the following for the one appropriate for your mower.

### Integrated Type

Perform engine air filter maintenance per the *Maintenance Schedule* shown elsewhere in this manual. Figure 4-14

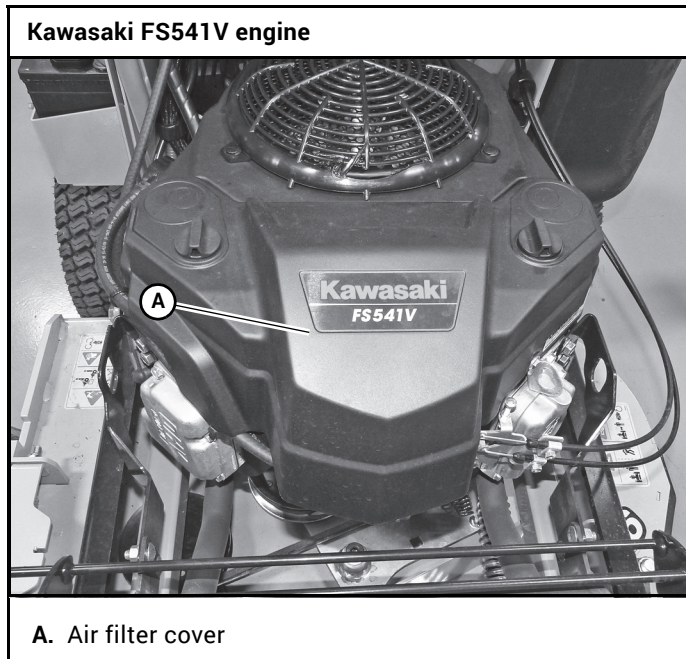


Figure 4-14

### Canister Type

Perform engine air filter maintenance per the *Maintenance Schedule* shown elsewhere in this manual.

A specially designed dry filter is standard equipment on these mowers and supplies clean combustion air to the engine. Figure 4-15

These mowers are equipped with a safety filter. The filter element slides over the safety filter. Figure 4-16

The safety filter does not require servicing unless it becomes contaminated with dirt or moisture.

### Recommended Service Procedure

- Release clamps and remove element. Clean the air cleaner canister with a damp cloth.
- Before installing a new element, inspect it by placing a bright light inside and rotating the element slowly, looking for any holes or tears in the paper. Also check gaskets for cuts or tears. Do not attempt to use a damaged element which will allow abrasive particles to enter the engine.

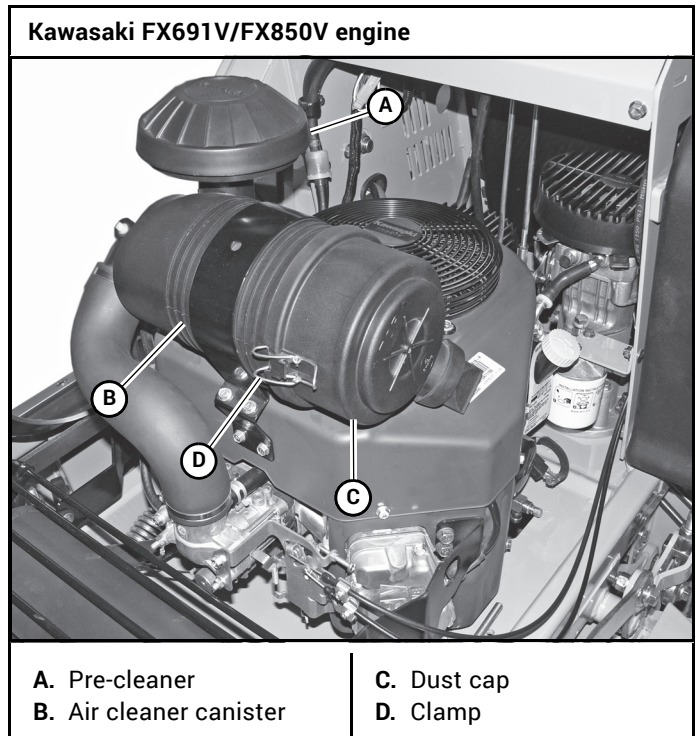


Figure 4-15

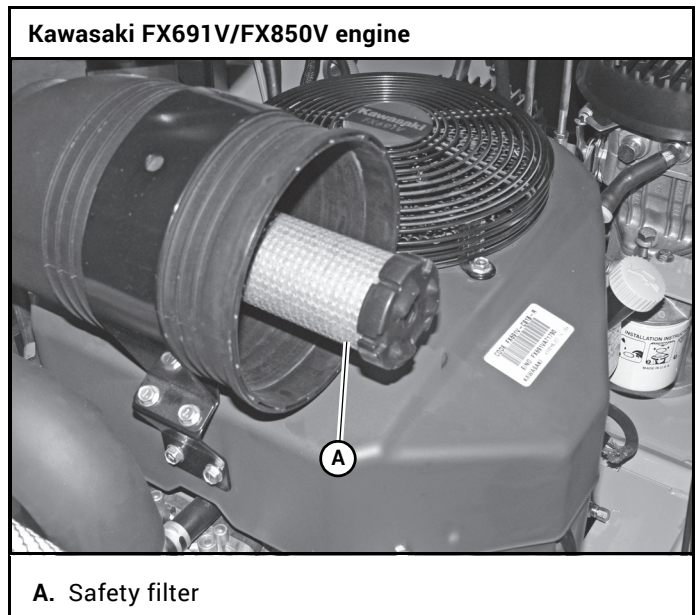


Figure 4-16

- Reinstall the dust cap. Make sure it seals all the way around the air cleaner canister, then tighten the clamps. Figure 4-15
- Check all fittings and clamps periodically for tightness and inspect hoses for holes or cracks.
- Periodically check the intake hose for signs of ingested dust. Locate and repair the source of ingested dirt.
- Never operate the machine without an air filter installed.

## Overservicing

Overservicing occurs when an air filter element is removed for cleaning or replacement before it is necessary. Each time the filter is removed a small amount of dirt and dust could fall in the intake system. This accumulated dirt can cause a dusted engine. It only takes a few grams of ingested dirt over the normal service life of an engine to cause a dusted engine.

**Do not clean the element, but replace with a new element only.** Cleaning used air filter elements, through improper cleaning procedures, can get dust on the inside of the filter causing dirt ingestion and engine failure.

It is important to note that whenever an air filter element is cleaned by **any method**, the person or company performing the cleaning assumes responsibility for the integrity of the filter from then on. **The warranty for air filters expires upon cleaning or servicing in any manner because the condition of the filter after servicing is completely out of the filter manufacturer's control. Therefore, on a dust ingested engine failure, there will be no warranty consideration if the air filter element has been cleaned or serviced in any manner.**

A partially dirty air filter element works better than a new element. Therefore, a dirty filter element is not bad for the engine unless it is excessively restricting the air flow and engine performance is affected. The reason is simple. The media in the filter must be porous to allow air to pass through it. When dirty air passes through the filter, the dirt plugs some of the holes in the media and actually acts as part of the filter media. When the next round of dirt enters, the first dirt helps filter out even smaller particles making the filter more efficient at stopping dirt from entering the engine. This is referred to as barrier filtration.

Of course, at some point the filter media becomes too clogged to allow air to pass.

The mowing conditions will determine the frequency of air filter element changing.

## General Engine Maintenance

Detailed instructions and recommendations for break-in and regular maintenance are specified in the *Engine Owner's Manual*. Please refer to this manual for engine servicing, lubricating oil levels with quality and viscosity recommendations, bolt torques, etc. The engine warranty is backed by the engine manufacturer. Special attention should be paid to applicable data which will not be duplicated here.

## Belts

Inspect belts frequently for wear and serviceability. Replace a belt that shows signs of:

- severe cuts
- tears
- separation
- weather checking
- cracking
- burns caused by slipping.

Slight raveling of belt covering does not indicate failure, trim ravelings with a sharp knife.

**WARNING** ⚠

If the pump belt fails, loss of steering control will occur especially when operating on a slope. **If you lose steering control while operating the mower, turn the engine off and, if on a slope, step off of the operator's platform to the uphill side. Inspect the machine and involve your Hustler® Dealer to resolve the problem before continuing to operate.**

Inspect the belt pulley grooves and flanges for wear. A new belt, or one in good condition, should never run against the bottom of the groove. Replace the pulley when this is the case, otherwise the belt will lose power and slip excessively.

Never pry a belt to get it on a pulley as this will cut or damage the fibers of the belt covering.

Keep oil and grease away from belts, and never use belt dressings. Any of these will destroy the belt composition in a very short time.

## Mower Blade

### Mower Blade Maintenance

**IMPORTANT: Refer to the Safety section of this manual for blade handling safety information.**

Refer to the *Mower Blade Replacement* section for blade removal and installation.

**WARNING** ⚠

Mower blades are sharp and can cut. Wrap the blade(s) or wear gloves and use extra caution when servicing them.

Check the mower blades daily, they are the key to power efficiency and well groomed turf. Keep the blades sharp. A dull blade will tear rather than cut the grass, leaving a brown ragged top on the grass within a few hours. A dull blade also requires more power from the engine.

Replace any blade which is bent, cracked or broken.

**WARNING** ⚠

**Always check for blade damage:**

- if mower strikes a rock, branch or other foreign object during mowing!
- or if an abnormal vibration occurs while operating.

Make all necessary repairs before resuming operation.

Sharpen the blades following the pattern shown. Touch-up sharpening can be done with a file. Figure 4-17

After grinding the blades, check for balance. Blade balancing can be done by placing the blade on an inverted

line punch or 5/8" bolt. A commercial balancing tool is also available through most hardware supply stores.

The blade should not lean or tilt. When spinning the blade slowly it should not wobble. Balance the blade before reinstalling.

Lay the blade on a flat surface and check for distortion. Replace any distorted blade. Figure 4-18 & Figure 4-19

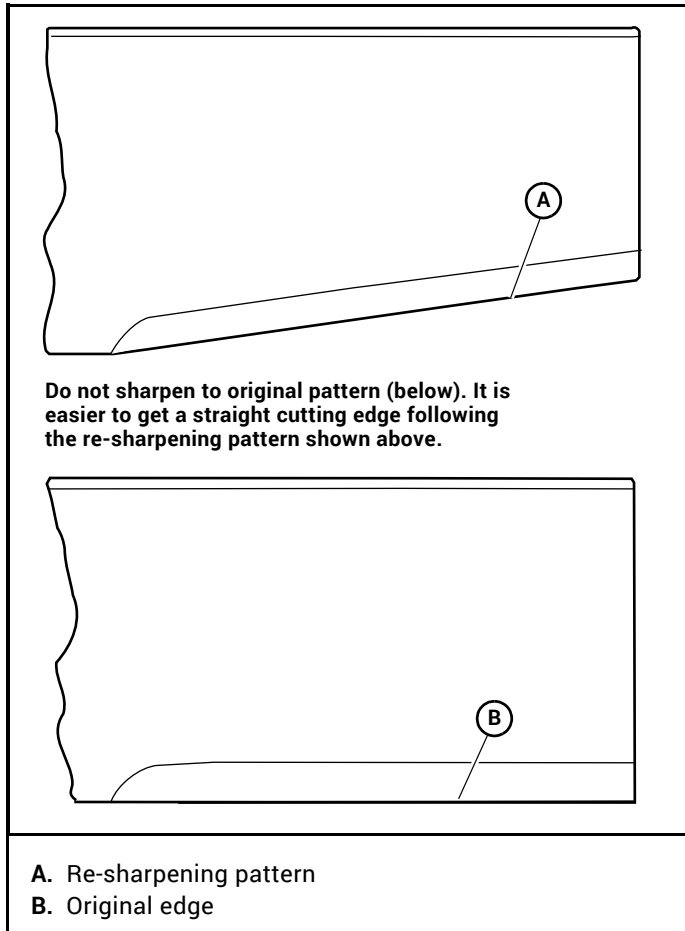


Figure 4-17

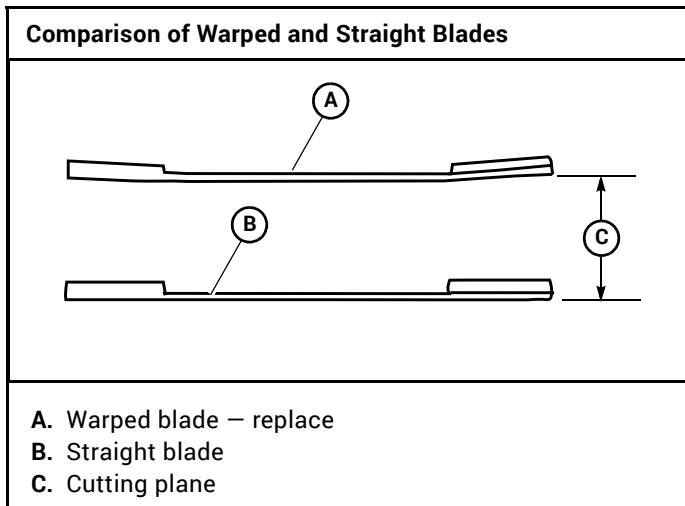


Figure 4-18

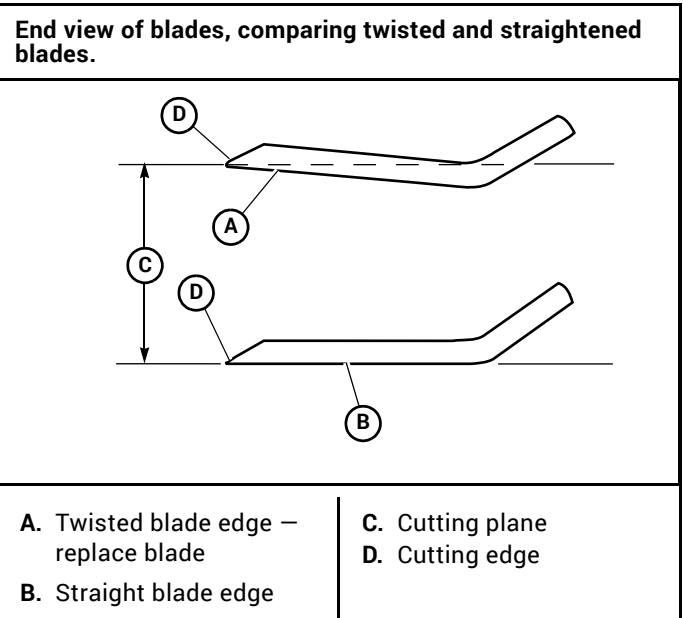


Figure 4-19

### Mower Blade Replacement

**IMPORTANT:** Refer to the *Safety* section of this manual for blade handling safety information.

**WARNING** ⚠

Mower blades are sharp and can cut. Wrap the blade(s) or wear gloves and use extra caution when servicing them.

A 15/16" wrench is required to remove the 5/8" cap screw holding the blade to the spindle shaft. **NOTE:** A blade holding tool (P/N 381442) is available from Hustler® Turf Equipment. It is designed to prevent the blades from rotating when they are being removed or installed on the spindle. Contact your Hustler® Dealer for more information.

Do not re-use spindle bolts which have stripped, worn or undercut threads. Torque bolts on spindles to 118 ft-lbs (160.0 N•m) when reinstalling blades.

**WARNING** ⚠

Failure to correctly torque the bolt may result in the loss of the blade which can cause serious injury.

Properly compressed cup washers maintain the correct compression load on the blades. Replace the cup washers if they are cracked or flattened.

**IMPORTANT:** The blade sail (curved part) must be pointing upward toward the inside of the deck to ensure proper cutting.

When mounting blades, rotate them after installation to make sure blade tips do not touch each other or sides of the mower.

### Operator Platform Adjustment

There are four bumpers that are located under the operator platform. The four bumpers can be adjusted forward or rearward to allow for operator ride preference. Figure 4-20, Figure 4-21, & Figure 4-22

The center spring is non-adjustable.

#### To adjust the bumpers:

The bumpers can be moved individually in the slots on the spring plate. The left side bumper alignment should mirror the right side bumper alignment.

1. Loosen the nuts holding the bumpers in place
2. Move the bumper to the desired position in the slot.
3. Tighten the hardware.

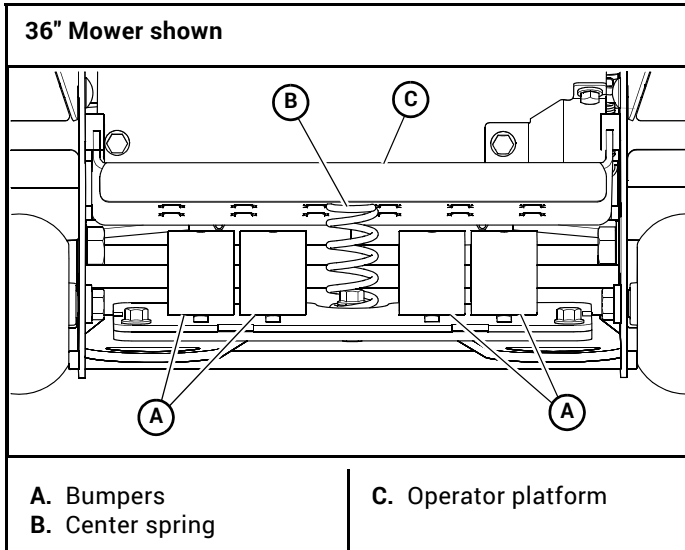


Figure 4-20

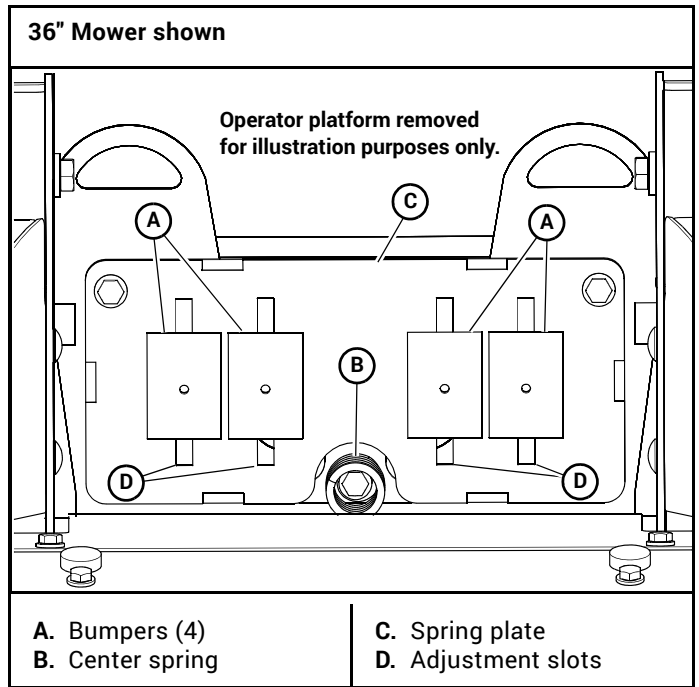


Figure 4-21

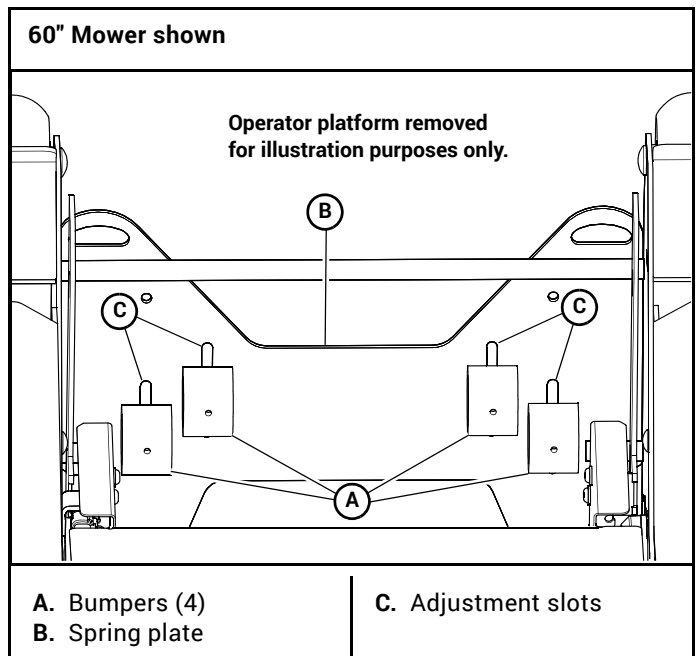


Figure 4-22



**Maintenance Schedule**  
**Figure 4-23, Figure 4-24, Figure 4-25 Figure 4-26, Figure 4-27,**  
**Figure 4-28, Figure 4-29, & Figure 4-30**

SERVICE AT INTERVALS INDICATED	WEEKLY OR 50 HOURS	MONTHLY OR 100 HOURS	* ANNUALLY OR 500 HOURS
Verify safety start interlock system	Prior to each use		
Visually inspect unit for loose hardware and/or damaged parts	Prior to each use		
Visually inspect tires	Prior to each use		
Check oil level, engine (1)	Prior to each use or every 4 hours		
Clean air intake screen (8)	Prior to each use or every 4 hours		
Check fuel level	Prior to each use		
Blades - sharpen & securely fastened	Prior to each use		
Discharge chute - securely in place & in lowest position	Prior to each use		
Caster fork tapered bearings (11)	Regular maintenance not required		
Clean engine and pump compartment	Daily		
Replace engine air cleaner element (5) (10)	X		
Change engine oil and filter (1) (4)	X		
Clean cylinder and head fins (10)	X		
Check battery connections	X		
Check tire pressure with a gauge	X		
Check hydraulic oil level (3)	X		
Clean engine exterior (10)	X		
Grease deck pusher arms (8)		X	
Grease deck height pivots (8)		X	
Grease front wheel bearings (8) (12)		X	
Clean & regap spark plugs (10)		X	
Check pump and deck belt tension and condition (6)		X	
Check fuel system (7)		X	
Check hydraulic lines		X	
Check fuel tank grommets (7)		X	
Check fuel valve (7)		X	
Tighten lug nuts on wheels (2)		X	
Adjust park brake (9)		X	
Change fuel filter (7)			X
Clean or replace hydraulic fill cap			X
Change hydraulic filter & oil (3)			X
Grease deck spindle housings			X
Replace spark plugs			X
Replace fuel evaporation system filter (8)			X

**NOTES:**

1. Initial oil change is after 5 hours of operation. Thereafter, change oil after every 40 hours operation. Change more often under dusty or dirty conditions and during hot weather periods. Hustler® Motor Oil is recommended.
2. Torque initially and after first 2 hours of operation.
3. Perform initial hydraulic system oil and filter change **must** be after the first 50 hours (one week) of mower operation. Thereafter, replace filter and oil in the reservoir annually or every 500 hours, whichever comes first. Hustler® Full Synthetic 20W50 Hydrostatic Transmission Oil is recommended.
4. Change engine oil filter per the engine manufacturer's recommendations. Refer to Engine Owner's Manual for recommendations and other maintenance items.
5. Service more often under dusty or dirty conditions. Use caution when servicing to prevent dust contamination in the engine. **Do not** clean filter element. Replace with a new one.

6. **Pump drive belt only - Inspect belt every 100 hours** and replace if worn or cracking is noticed. Check spring tension adjustment. Otherwise, **replace belt every 400 hours or 2 years** whichever comes first. Check and adjust spring tension after 50 hours of use as outlined in the *Hydraulic Pump Belt Adjustment* section of the General Service Manual (P/N 127180).
7. Check fuel system for any crack or leaks including, but not limited to, fuel line hoses, fuel valve, vent line hoses, vent valve, vapor valve, carbon canister, and grommets. Replace as needed.
8. More often under dusty or dirty conditions and during hot weather.
9. Check and adjust the park brake per the General Service Manual (P/N 127180).
10. Refer to engine owner's manual for engine service information.
11. If caster fork tapered bearing seals leak, refer to the General Service Manual (P/N 127180) for repair procedures.
12. Refer to the General Service Manual (P/N 127180) to service or repair the tapered wheel bearings.

**\* After completing maintenance cycle (500 hours), repeat cycle.**

# Maintenance Locator Chart

48"/52"/60" with Kawasaki Engine  
FX691V/FX850V

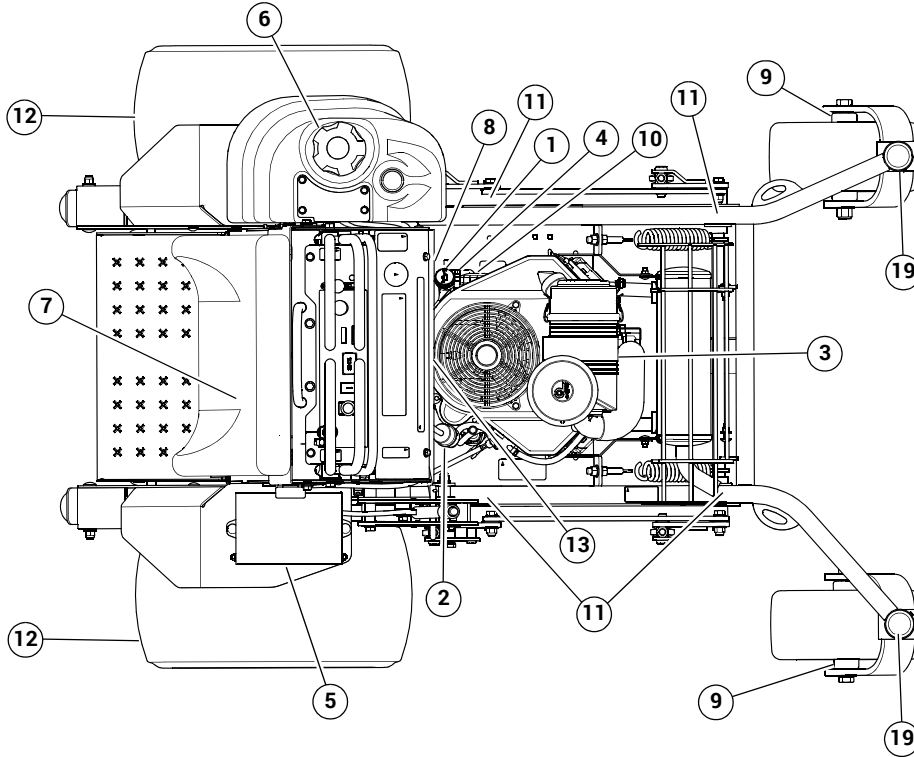


Figure 4-23

52"/60" with Kawasaki Engine 850EFI

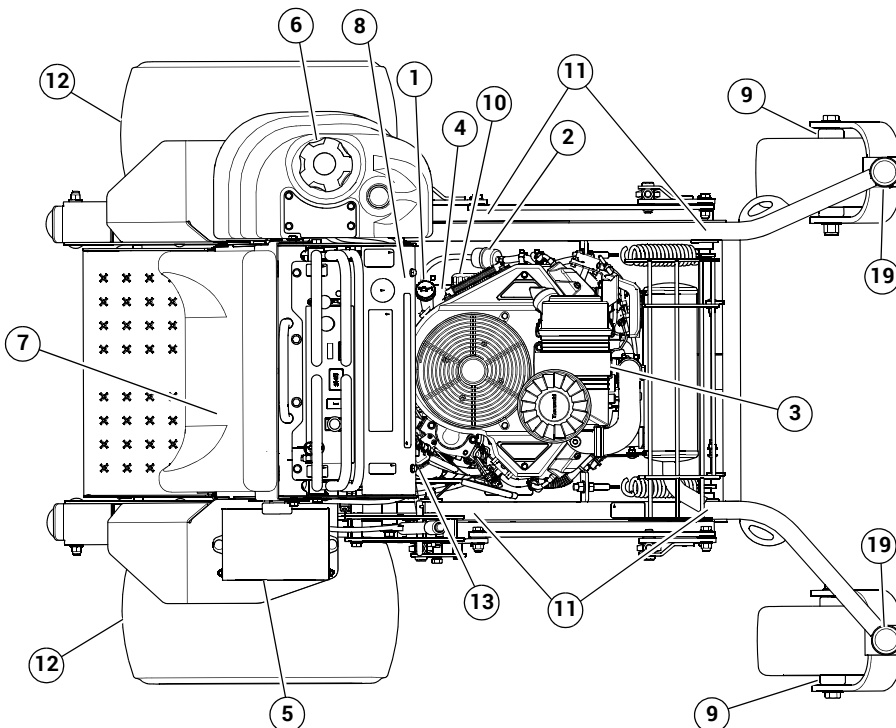
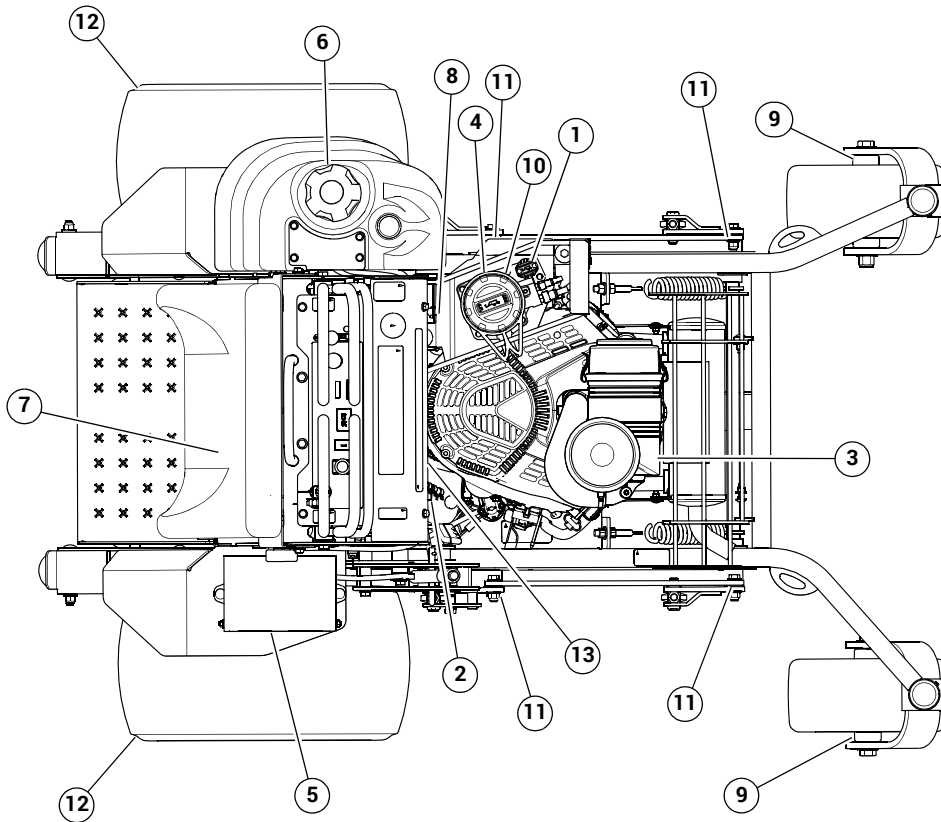


Figure 4-24

1. Engine Oil Fill & Dipstick
2. Fuel Filter
3. Engine Air Cleaner
4. Engine Oil Drain Valve
5. Battery
6. Fuel Tank
7. Hydraulic Oil Reservoir
8. Hydraulic Oil Filter
9. Front Wheel Bearing Zerks (2)
10. Engine Oil Filter
11. Deck Height Pivot Zerks (4)
12. Drive Tire
13. Fuel Evaporation System Filter
14. Pump Belt
15. Deck Pusher Arm Zerks (2)
16. Deck Belt
17. Spindle Housing Zerk (3)
18. Blades
19. Caster Fork Tapered Bearings

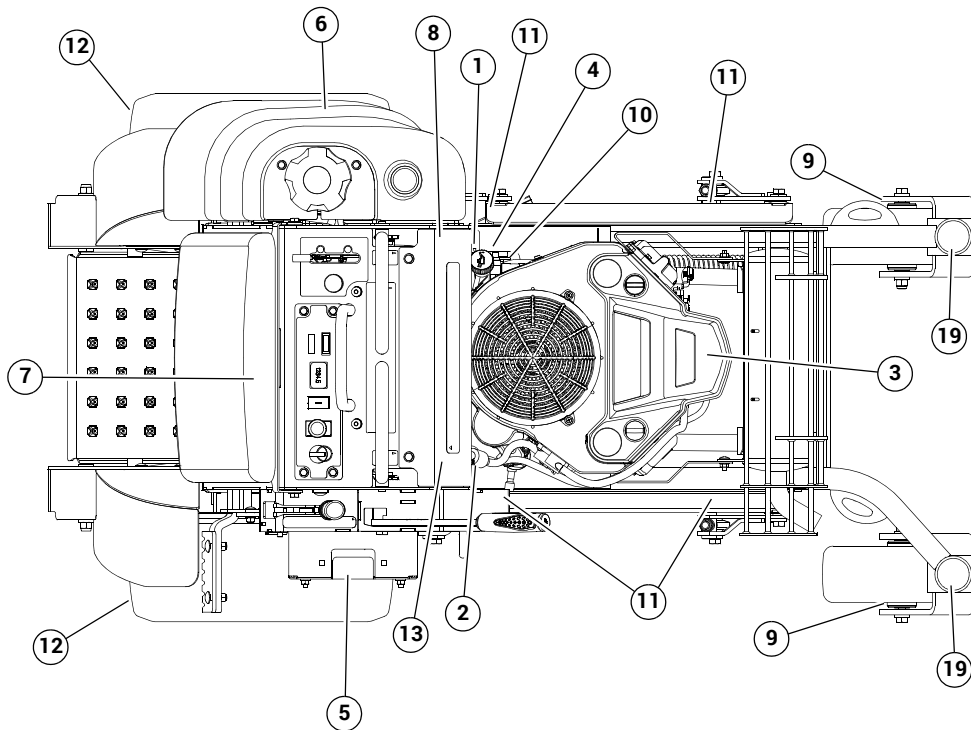
Vanguard EFI engine with Oil Guard™



1. Engine Oil Dipstick
2. Fuel Filter
3. Engine Air Cleaner
4. Engine Oil Filter and Fill
5. Battery
6. Fuel Tank
7. Hydraulic Oil Reservoir
8. Hydraulic Oil Filter
9. Front Wheel Bearing Zerks (2)
10. Engine Oil Filter
11. Deck Height Pivot Zerks (4)
12. Drive Tire
13. Fuel Evaporation System Filter
14. Pump Belt
15. Deck Pusher Arm Zerks (2)
16. Deck Belt
17. Spindle Housing Zerk (3)
18. Blades
19. Caster Fork Tapered Bearings

Figure 4-25

36" with Kawasaki Engine FS541V



1. Engine Oil Fill & Dipstick
2. Fuel Filter
3. Engine Air Cleaner
4. Engine Oil Drain Valve
5. Battery
6. Fuel Tank
7. Hydraulic Oil Reservoir
8. Hydraulic Oil Filter
9. Front Wheel Bearing Zerks (2)
10. Engine Oil Filter
11. Deck Height Pivot Zerks (4)
12. Drive Tire
13. Fuel Evaporation System Filter
14. Pump Belt
15. Deck Pusher Arm Zerks (2)
16. Deck Belt
17. Spindle Housing Zerk (3)
18. Blades
19. Caster Fork Tapered Bearings

Figure 4-26

48"/52"/60" Mowers

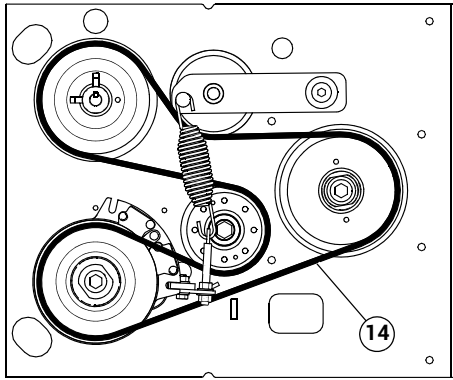


Figure 4-27

36" Mowers

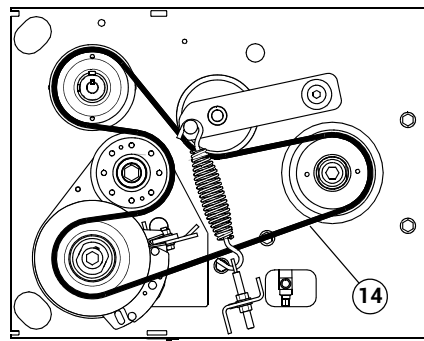
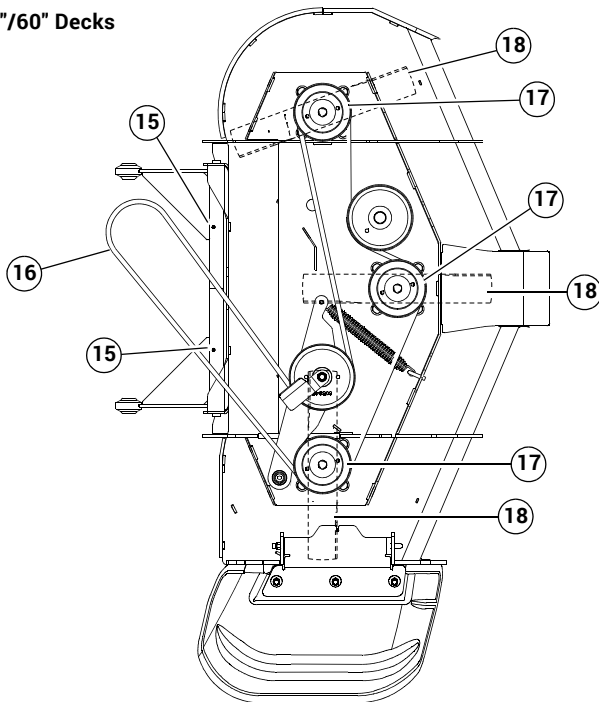


Figure 4-28

Figure 4-29

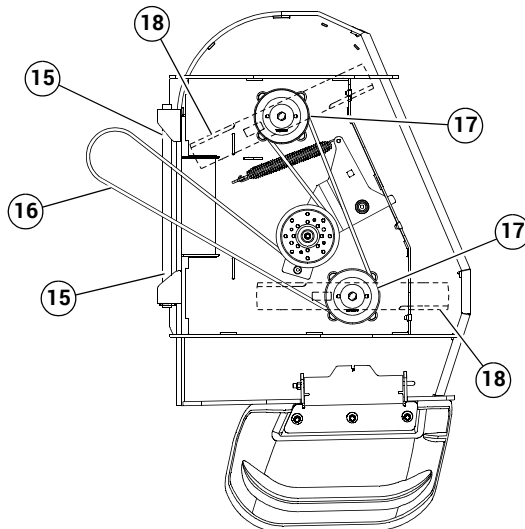
48"/52"/60" Decks



1. Engine Oil Fill & Dipstick
2. Fuel Filter
3. Engine Air Cleaner
4. Engine Oil Drain Valve
5. Battery
6. Fuel Tank
7. Hydraulic Oil Reservoir
8. Hydraulic Oil Filter
9. Front Wheel Bearing Zerks (2)
10. Engine Oil Filter
11. Deck Height Pivot Zerks (4)
12. Drive Tire
13. Fuel Evaporation System Filter
14. Pump Belt
15. Deck Pusher Arm Zerks (2)
16. Deck Belt
17. Spindle Housing Zerk (3)
18. Blades
19. Caster Fork Tapered Bearings
20. Carbon Canister

Figure 4-30

36" Deck



# Maintenance Record

Perform the initial hydraulic system oil and filter change after the first 50 hours of use.

Date:	Maintenance/Service Performed:
Dealer:	
Hour Meter Reading:	
Date:	Maintenance/Service Performed:
Dealer:	
Hour Meter Reading:	
Date:	Maintenance/Service Performed:
Dealer:	
Hour Meter Reading:	
Date:	Maintenance/Service Performed:
Dealer:	
Hour Meter Reading:	
Date:	Maintenance/Service Performed:
Dealer:	
Hour Meter Reading:	

Date:	Maintenance/Service Performed:
Dealer:	
Hour Meter Reading:	
Date:	Maintenance/Service Performed:
Dealer:	
Hour Meter Reading:	
Date:	Maintenance/Service Performed:
Dealer:	
Hour Meter Reading:	
Date:	Maintenance/Service Performed:
Dealer:	
Hour Meter Reading:	
Date:	Maintenance/Service Performed:
Dealer:	
Hour Meter Reading:	

# TROUBLESHOOTING

The majority of operating problems that occur with a system can be traced to improper adjustments or delayed service. A consistently applied preventative maintenance program, as outlined in the *Maintenance* section of this manual, will prevent many problems. The following chart is designed to help you locate a problem by suggesting probable causes and the recommended solutions.

SYMPTOMS	PROBABLE CAUSES	SUGGESTED REMEDIES
Starting motor does not crank	Park brake lever not in park brake position	Place park brake lever in park brake position
	Deck clutch switch engaged	Disengage clutch switch
	Weak or dead battery	Recharge or replace
	Electrical connections are corroded or loose	Check the electrical connections
	Fuse is blown	Check fuses – replace blown fuse
	Neutral switches not engaging	Move steering control lever to neutral position or adjust switches if necessary
	For additional causes	See engine manual
The engine will not start, starts hard or fails to keep running	No fuel or line plugged	Fill tank or replace line (See <i>Fuel System</i> section for more details)
	Fuel valve is turned off	Open the fuel valve
	There is incorrect fuel in the fuel system	Drain the tank and replace the fuel with the proper type
	There is dirt in the fuel filter	Replace the fuel filter
	Dirt, water or stale fuel in the fuel system	Contact your Dealer
	The choke is not on (if equipped)	Move the choke lever to ON
	Numerous	See engine manual
Engine: Runs with continuous misfiring or engine runs unevenly or erratically	Numerous	See engine manual
Loss of power or system will not operate in either direction	Restrictions in air cleaner	Service air cleaner
	Poor compression	Contact your Dealer
	Steering linkage needs adjustment	Adjust linkage
	Tow valve open	Close tow valve
	The traction drive belt is worn, loose or broken	Install a new traction drive belt
	Air in system	Check filter and fittings
For additional causes	See engine manual	
Air cooled engine overheating	Air intake screen or cleaning fins clogged	Clean screen and fin
	For additional causes	See engine manual
Low engine oil pressure	Low oil level	Add oil
	Oil diluted or too light	Change oil and check for source of contamination
	Failed oil pump	Contact your Dealer
High oil consumption	Numerous	Contact your Dealer

SYMPTOMS	PROBABLE CAUSES	SUGGESTED REMEDIES
Mower jerky when starting or operates in one direction only	Steering control linkage needs adjustment	Adjust linkage
	Loose steering linkage	Tighten linkage
	Tow valves not closed completely	Close tow valves
	Pump or wheel motors faulty	Contact your Dealer
Mower circles or veers in one direction	Steering linkage needs adjustment	Adjust linkage
	Loose steering linkage	Tighten linkage
	Tires improperly inflated	Adjust air pressure to 8–12 psi (55–83 KPa)
	Wheel motor faulty	Contact your Dealer
	Hydraulic pump faulty	Contact your Dealer
There is abnormal vibration	The engine mounting bolts are loose	Tighten the engine mounting bolts
	The engine pulley, idler pulley or blade pulley is loose	Tighten the appropriate pulley
	The engine pulley is damaged	Contact your Dealer
	The cutting blade(s) is/are bent or unbalanced	Install new cutting blade(s)
	A blade mounting bolt is loose	Tighten the blade mounting bolt
	Spindle bearing is worn or loose	Replace or tighten spindle bearing
	A blade spindle mount is bent	Contact your Dealer
	Blades do not rotate	The deck drive belt is worn, loose or broken
The deck drive belt is off the pulley	The deck drive belt is off the pulley	Install the deck drive belt and check for a reason
	Electric clutch is not engaging	Check and/or replace 15 amp fuse. Contact your Dealer
	Uneven cutting height	The blade(s) are not sharp
A cutting blade(s) is/are bent	A cutting blade(s) is/are bent	Install new cutting blade(s)
	The deck is not level	Level the deck per the <i>Deck leveling and height adjustment</i> section of the General Service Manual
	An anti-scalp wheel is not set correctly	Adjust the height of the anti-scalp wheel
	The underside of the deck is dirty	Clean the underside of the deck
	Tires improperly inflated	Adjust air pressure to 8–12 psi (55–83 KPa)
	A blade spindle mount is bent	Contact your Dealer





# STORAGE

When storing the unit at the end of the mowing season, the mower, engine, and battery should have the following items serviced before storage.

If the mower has been stored for an extended period of time, follow the new season preparation steps before beginning operation.

## General Mower Preparation for Storage

1. Remove all grass, dirt, and trash from mower and cutting units.

**IMPORTANT:** Wash the machine with a mild detergent and water. Do not pressure wash the machine. Avoid excessive use of water, especially near the control panel and engine.

Clean mower and deck and touch up all scrapes with touch-up paint.

2. Replace the air filter element.
3. Check thoroughly for any worn or damaged parts that need replacing and order them from your dealer.
4. Thoroughly lubricate machine, according to the *Maintenance* section.
5. Block mower up so weight is off tires. Check tire pressure and inflate to proper operating pressure.

**NOTE:** Do not deflate tires.

6. Perform separate engine and battery preparation as listed below.
7. Store mower in a clean, dry place.

## Preparation of Engine for Storage

If the mower is to be unused for an extended period of time (30 days or more), the engine will need to be prepared for storage. Use the following procedures before storing the mower.

**IMPORTANT:** Refer to the *Fuel Handling Precautions* section of this manual for important safety information before proceeding.

1. Add a Hustler® approved fuel stabilizer to the fuel system. Refer to the instructions shown on the fuel stabilizer bottle for proper usage. Hustler® Fuel Stabilizer with Cleaner is recommended. For detailed information consult with your Dealer.
2. Fill the fuel tank(s) with fresh fuel.

**NOTE:** Use non-ethanol fuel if possible.

**WARNING** ⚠

To prevent carbon monoxide poisoning, operate the engine in a well ventilated area only.

3. Run the engine for a minimum of 10 minutes.

**WARNING** ⚠

Allow the engine to cool before changing the engine oil. Use caution when changing the engine oil as it will be very hot. You should wear the appropriate protective gear to avoid being burned or exposed to engine oil.

4. Drain the oil from the crankcase while the engine is still warm.
5. Replace the engine oil filter.
6. Refill with fresh oil of the proper viscosity. Hustler® Motor Oil is recommended.
7. Close the fuel shut-off valve (if equipped).
8. Check the oil filler cap and fuel tank cap(s) to make certain they are securely in place.
9. Refer to the engine manual for more information.

## Preparation of Battery for Storage

When the machine is to be unused for long periods, it is best to disconnect the battery and remove it from the unit. At this time perform the following battery maintenance:

1. Remove the battery from machine.

**NOTE:** Always **disconnect** the negative (black) battery cable(s) before disconnecting the positive (red) cable(s).
2. Clean the battery, terminals, and cable connectors.
3. Charge the battery, if necessary.
4. Store the battery in a cool, dry place (do not expose to freezing temperatures).
5. Always keep the battery fully charged. Especially important to prevent battery damage when the temperature is below 32°F (0°C).

## New Season Preparation

Before starting the mower following post season storage, the following service is required:

1. Clean mower, removing trash and dirt accumulation.
2. Check engine oil and hydraulic oil levels.
3. Install fully charged battery and attach the battery cables.

**IMPORTANT:** Always **connect** the positive (red) battery cable(s) before connecting the negative (black) cable(s).
4. Fill fuel tank(s) with fresh fuel. Run machine at half speed for 5 minutes, checking operation of steering control levers. Stop engine and check for oil leaks, loose fittings and so forth.
5. Tighten any bolts that have loosened and make sure all hair pins, cotter pins and clevis pins are in place.



**WARNING**



At start of new season always check that fresh oil has been added to machine. If oil is drained at season's end and not replaced, engine damage will result.

6. Install all safety shields and review safety precautions listed in this manual.
7. Check and inflate tires to 8–12 psi (55–83 KPa).
8. Refer to engine manual for more information.

# INDEX

	PAGE		PAGE
Battery Service Precautions .....	2-5	Mower Operation .....	3-4
Belts .....	4-8	New Season Preparation .....	6-1
Carbon Canister .....	4-5	Operating Suggestions .....	3-7
Children .....	2-4	Operation .....	2-2
Control Panel .....	3-1	Operator Platform Adjustment .....	4-10
Controls .....	3-1	Parts and Service .....	1-1
Deck Clutch Operation .....	3-8	Personal Safety .....	2-1
Deck Cutting Height Adjustment .....	3-8	Preparation of Battery for Storage .....	6-1
Draining the Engine Oil .....	4-5	Preparation of Engine for Storage .....	6-1
Driving the Mower .....	3-5	Product Literature .....	1-2
Electrical System .....	4-1	Safe Operating Practices .....	3-1
Engine Air Filter .....	4-6	Safe Operation .....	2-1
Engine Starting .....	3-3	Safe Servicing Practices .....	4-1
Fuel & Evaporative Emissions Control System .....	4-3	Safety and Instructions Decals .....	2-6
Fuel Evaporation System Filter .....	4-5	Safety Start Interlock System .....	3-2
Fuel Handling Precautions .....	2-6	Seat Adjustment .....	4-10
Fuel Shut-off Valve .....	4-4	Service Introduction .....	4-1
General Engine Maintenance .....	4-8	Service Precautions .....	2-4
General Mower Preparation for Storage .....	6-1	Slope Guide .....	2-12
Hydraulic System .....	4-2	Slope Operation .....	2-3
Lubrication .....	4-1	Steering Control Lever Adjustment .....	4-10
Maintenance Locator Chart .....	4-13	Stopping the Engine .....	3-4
Maintenance Record .....	4-17	System Fuses .....	4-2
Maintenance Schedule .....	4-11	Tires .....	4-1
Model and Serial Number .....	1-1	To the New Owner .....	1-1
Moving Mower with Stalled Engine .....	3-4	Torque Values .....	4-1
Mower Blade .....	4-8	Using a Ramp .....	2-3
Mower Blade Maintenance .....	4-8	Using this Manual .....	1-1
Mower Blade Maintenance Precautions .....	2-5	Warranty Registration .....	1-1
Mower Blade Replacement .....	4-9		