

# Hustler® Parts Manual



**HUSTLER®**  
TURF EQUIPMENT

200 South Ridge Road

Hesston, Kansas

67062



#### NOTICE OF REQUIREMENT OF SPARK ARRESTER MUFFLER

This equipment may create sparks that can start fires around dry vegetation. California Public Resources Code Section 4442.6 provides that it is unlawful to use or operate an internal combustion engine on any forest-covered, brush-covered, or grass-covered land unless the engine is equipped with a spark arrester maintained in effective working order. A spark arrester is a device constructed of nonflammable materials specifically for the purpose of removing and retaining carbon and other flammable particles over 0.0232 of an inch in size from the exhaust flow of an internal combustion engine that uses hydrocarbon fuels or which is qualified and rated by the United States Forest Service. Other states or federal areas may have similar laws. The Operator Should Contact Local Fire Agencies For Laws or Regulations Relating to Fire Prevention Requirements. **THIS EQUIPMENT DOES NOT HAVE A SPARK ARRESTER AND YOU SHOULD CONTACT YOUR AUTHORIZED DEALER FOR THE PURCHASE OF A SPARK ARRESTER.**

Inspect spark arrester daily; replace every 500 hours or as needed.

The Engine Owner's Manual provides information regarding the U.S. Environmental Protection Agency (EPA) and the California Emission Control Regulation of emission systems, maintenance and warranty.

Keep Engine Owner's Manual with your unit. Should the Engine Owner's Manual become damaged or illegible, replace immediately. Replacements may be ordered per the information found in the Product Information section of the owner's manual.

Federal law and California State law prohibit the following acts or the causing thereof:

1. The removal or rendering inoperative by any person other than for purposes of maintenance, repair, replacement, of any device or element of design incorporated into any equipment for the purposes of emissions control prior to or after its sales or delivery to the ultimate purchaser or while it is in use, or
2. The use of the equipment after such device or element of design has been removed or rendered inoperative by any person.

General Information .....	1
<b>Frame, Foot Platform &amp; Tower Pad</b>	
Frame .....	3-1
Operator Platform & Tower Pad (Multi-Page) .....	3-2
<b>Hydraulic System, Drive Belt, Clutch, Steering &amp; Brake</b>	
Hydraulic System & Hydraulic Filter (Multi-Page) .....	4-1
Left Pump Assembly .....	4-2
Right Pump Assembly .....	4-3
Hydraulic Pump Service Parts .....	4-4
Wheel Motor Assembly .....	4-5
Pump Drive, Drive Belt & Clutch (Multi-Page) .....	4-6
Steering (Multi-Page) .....	4-7
Brake .....	4-8
<b>Wheels, Tires &amp; Fenders</b>	
Wheels & Tires .....	5-1
Front Wheel Assembly .....	5-2
Drive Wheel Assembly .....	5-3
<b>Engine, Muffler &amp; Fuel System</b>	
Engine & Muffler (Multi-Page) .....	6-1
Engine Service Parts - FX850V EFI .....	6-2
Fuel System .....	6-3
Fuel Tank Service Parts - 605908 .....	6-4
<b>Instrument Panel, Wire Harness &amp; Battery</b>	
Instrument Panel & Wire Harness .....	7-1
Battery .....	7-2
<b>Deck, Deck Belt, Blades, Deck Lift &amp; Mounting</b>	
Service Deck .....	8-1
Deck Pulleys & Spindles .....	8-2
Spindle Assembly Service Parts - 607407 .....	8-3
Deck Belt, Discharge Chute, Pulley Covers & Blades (Multi-Page) .....	8-4
Deck Lift & Mounting Hardware (Multi-Page) .....	8-5



---

# General Information

*Note:* When ordering parts, you must use the part number as shown for each part, not the index number. Always give the model and serial number to your parts and service representative.

*Note:* Items sold in bulk such as seals and hoses are sold by the foot.

---

## Using This Manual

This manual is part of a service package for the Hustler® mowers. Use of this manual in conjunction with other Hustler® mower and component manuals will provide the information necessary to service and maintain Hustler® mowers.

This Parts Manual provides a complete parts listing for the unit. Use this manual when ordering parts. Illustrations used were current at the time of printing, but subsequent production changes may cause your machine to vary slightly in detail. Excel Industries, Inc. reserves the right to redesign and change the machine as deemed necessary, without notification. If a change has been made to your machine which is not reflected in this parts manual, see your authorized dealer for current information and parts.

The Service Manual is a service guide for use by Service Technicians. It provides the necessary information needed to perform normal maintenance requirements on these units.

The Operator's Manual provides fundamental operational information and operational safety that is needed when operating the mower.

The component manuals are furnished by the various manufacturers to be used for the troubleshooting and servicing of their products.

## Hardware Description Codes & Abbreviations

The following codes are used throughout this parts manual. Refer to this list when ordering parts.

ABBREVIATION	DESCRIPTION	ABBREVIATION	DESCRIPTION
CB	CARRIAGE BOLT	MB	MACHINE BUSHING
CE	CLEVIS PIN	MS	MACHINE SCREW
CN	CLIP NUT	NT	NUT
CP	COTTER PIN	SC	SELF TAPPING CAP SCREW
CS	CAP SCREW	SH	SOCKET HEAD
CW	CUP WASHER	SB	SHOULDER BOLT
FDRW	FENDER WASHER	SS	SET SCREW
FW	FLAT WASHER	OD	OUTSIDE DIAMETER
HX	HEX HEAD	ID	INSIDE DIAMETER
LW	LOCK WASHER	WN	WELD NUT

---

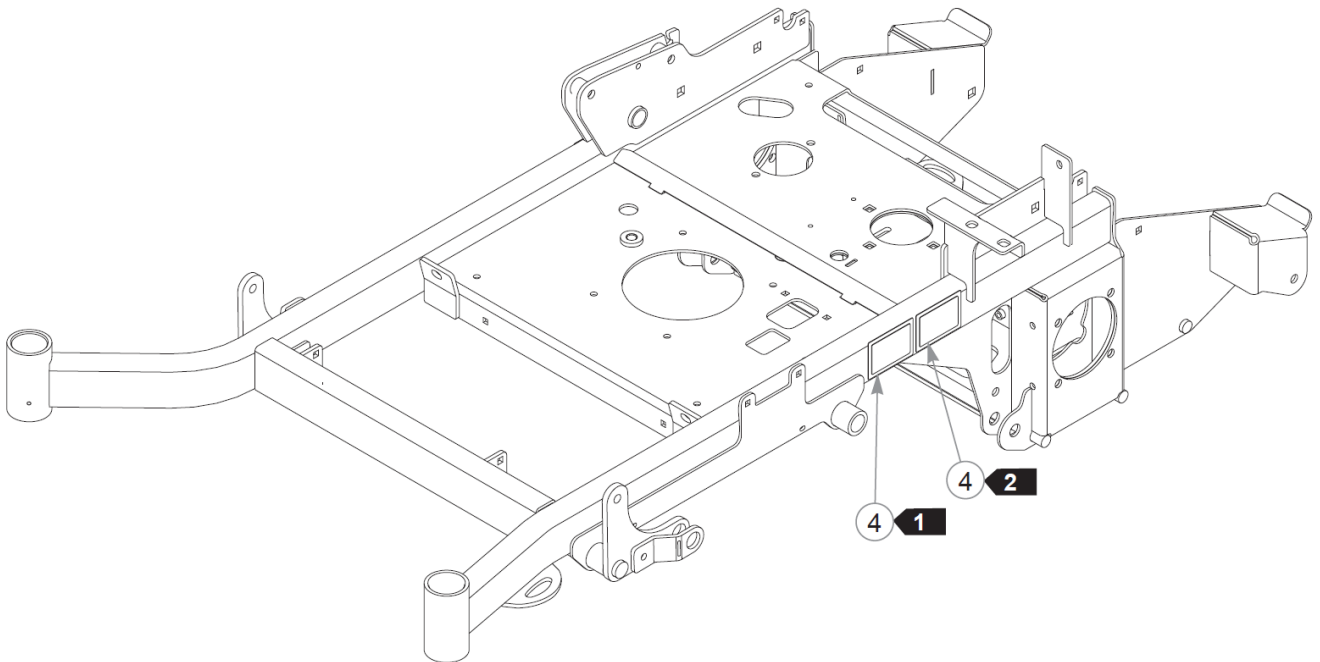
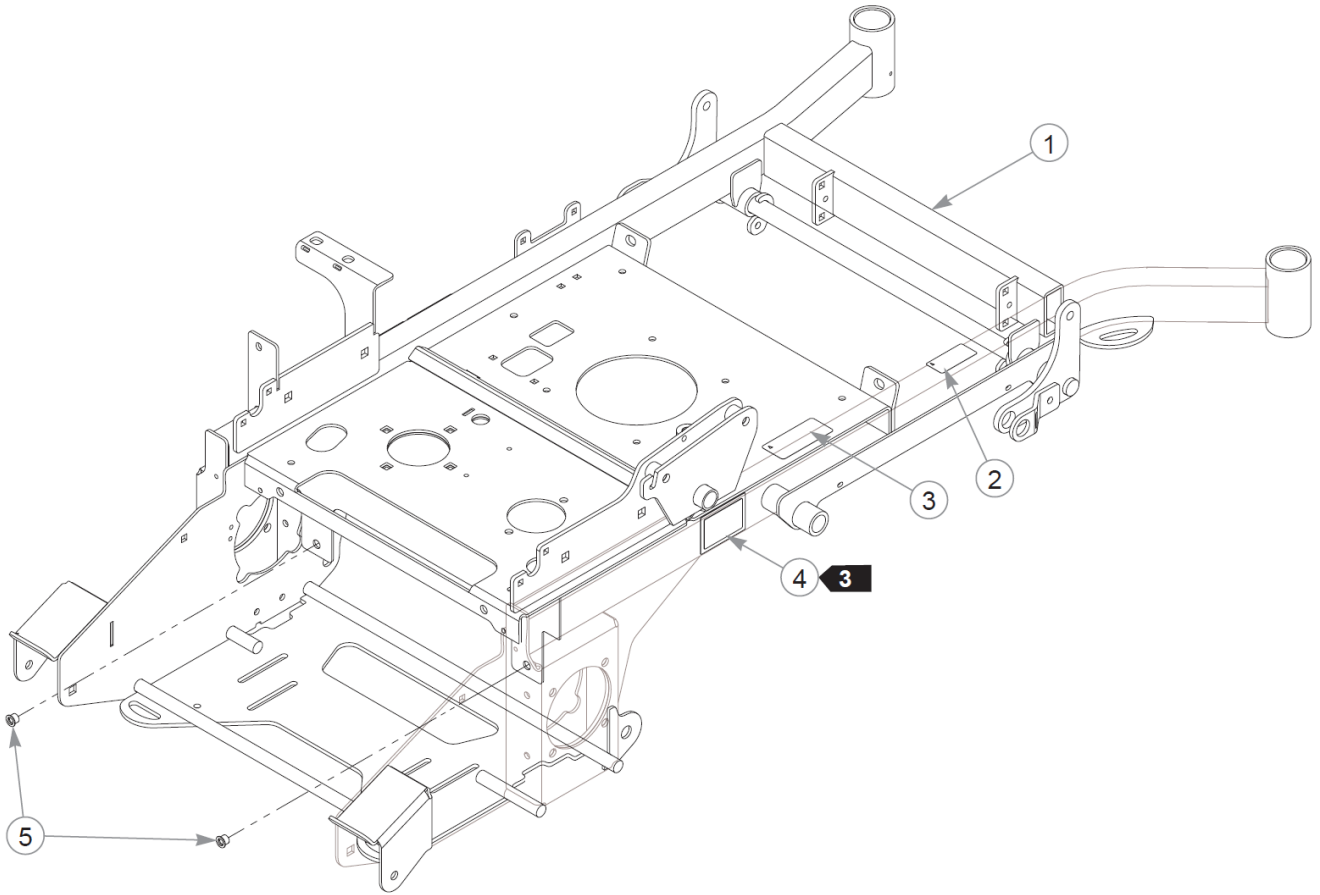
## Standard Torques

The following chart lists the standard torque values for the threaded fasteners found in this manual. Torque all cap screws, nuts and set screws to these values unless a different torque is shown in the Notes section next to the fastener.

SIZE	FT-LBS	N•M	SIZE	FT-LBS	N•M
.250	8.2	11.1	M3	1	1.3
.312	17	23	M4	2.2	3
.375	30	40	M5	4.5	6.1
.438	48	65	M6	7.7	10.4
.500	73	99	M8	18.5	25
.562	105	143	M10	37	50
.625	145	200	M12	64	87
.750	260	350	M14	80	108.5
.875	420	565	M16	160	215
1.00	625	850	M20	320	435
			M24	555	750

---

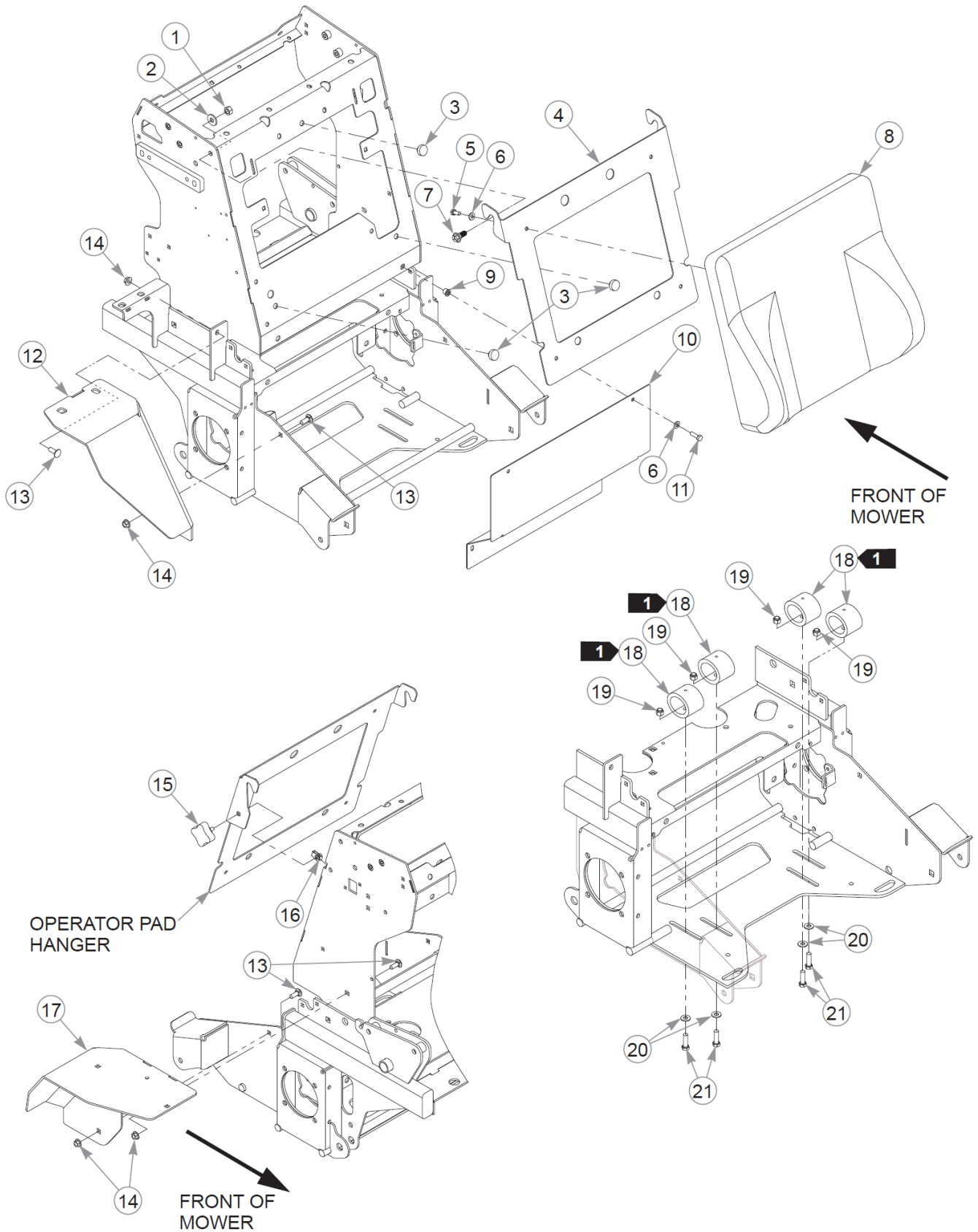
This page intentionally left blank



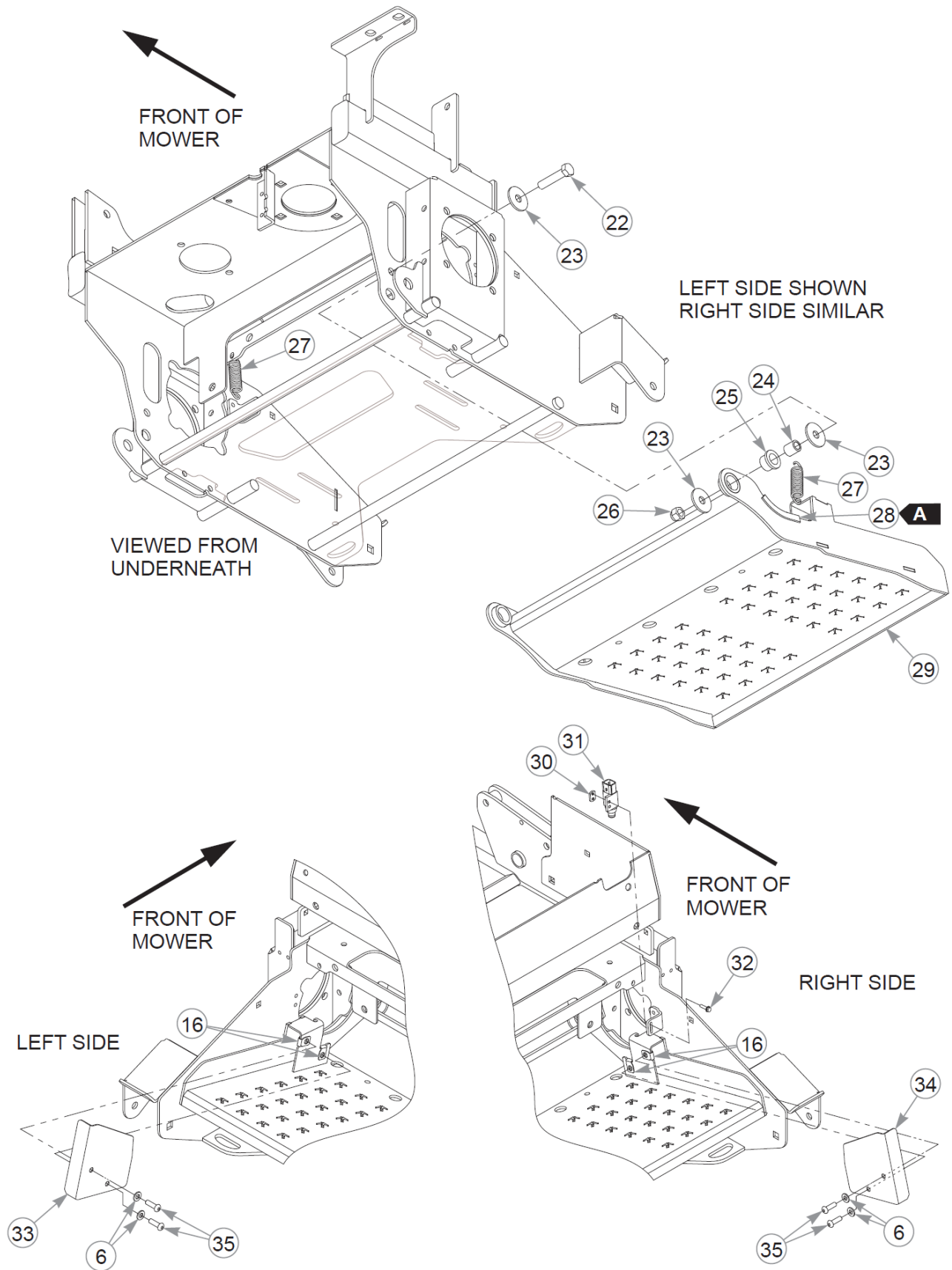
## Frame

Item	Part No.	Qty	Name
1	555875	1	SVC FRAME
2	602041	1	DECAL, HOT
3	606323	1	DECAL, ENGINE PLATE
4	083279	3	SERIAL NUMBER / SPEC. DECAL
5	808485	2	RIVET NUT, 5/16-18 THRE

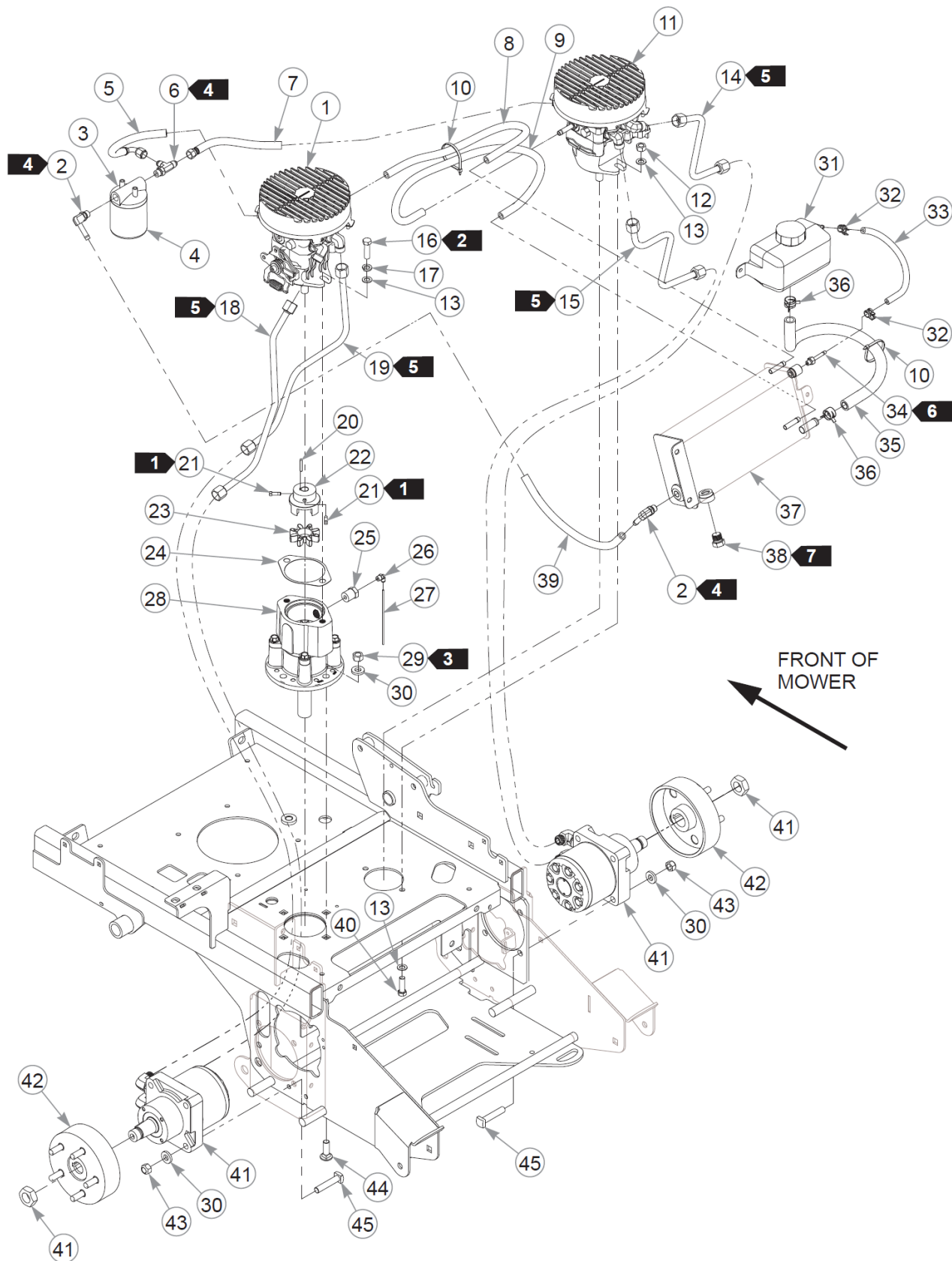




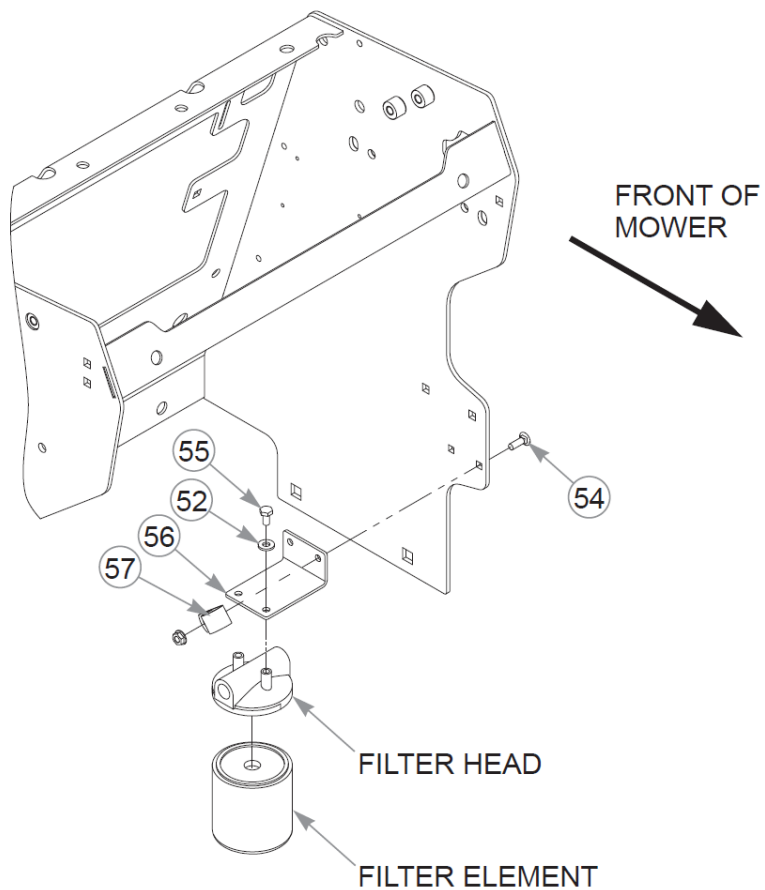
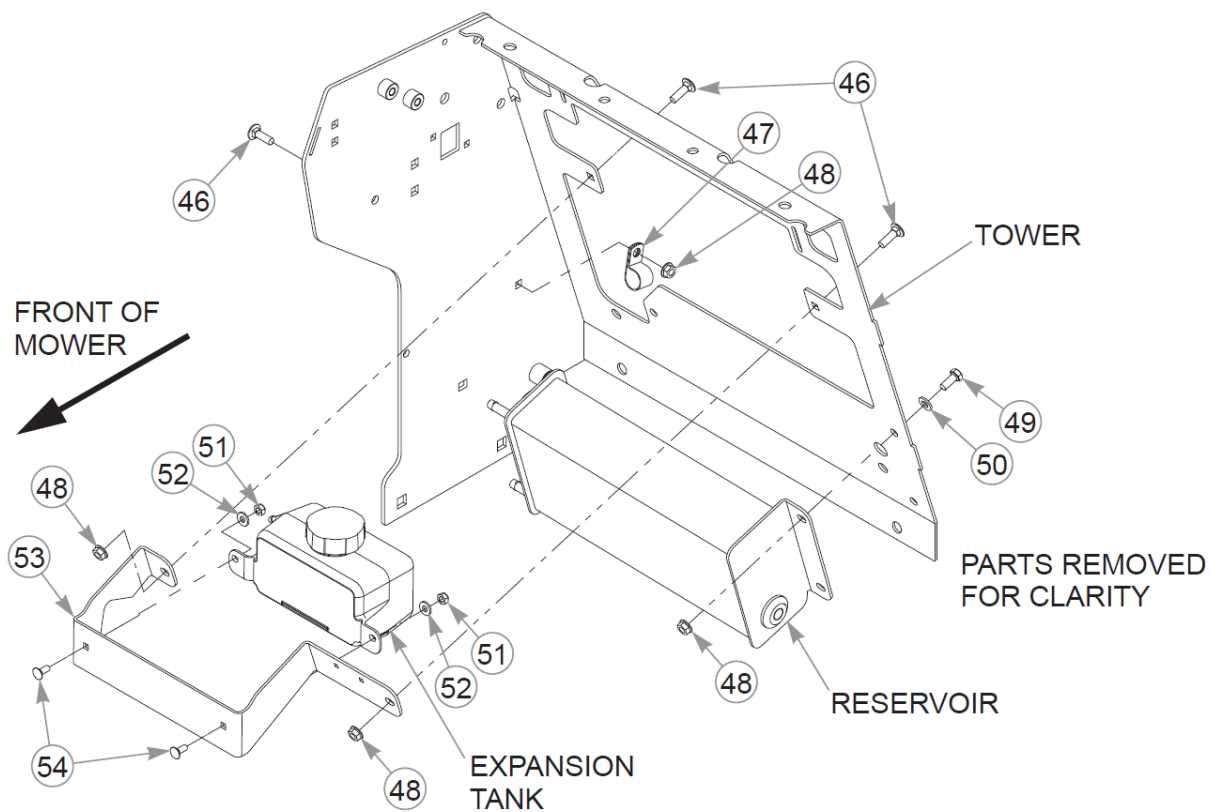
This page intentionally left blank



Item	Part No.	Qty	Name
1	704635	2	NT .437-20HXG5
2	602680	2	FW .453X1.12X.12 HRD ZN
3	781880	3	BUMPER, .500x 1.00x .31
4	127214-1	1	HANGER, OPERATOR PAD
5	034280	4	CS .312-18X0.750HXG5
6	768523	12	FW 0.343SAE
7	201663	2	SB .563 X .295HX .437-20
8	608258	1	OPERATOR PAD
9	808485	2	RIVET NUT, 5/16-18 THRE
10	127215-1	1	KICK PLATE
11	036236	4	CS .312-18X1.000HXG5
12	127222-1	1	FENDER W/A, LH
13	025395	4	CB .375-16X 1.00 G5 ZN
14	016899	4	NT .375-16 FLKG5
15	792002	1	KNOB,5/16-18 X 3/4"MALE
16	601069	5	CN .312-18x.200 MAX THK
17	127223-1	1	FENDER W/A, RH
18	608252	4	BUMPER
19	086660	4	NT .375-16NLG8
20	767954	4	FW 0.379X.82X.06 HD ZN
21	052860	4	CS .375-16X1.25 HX G5 ZN
22	761544	2	CS .500-13X2.250HXG8
23	798603	6	FW .515X1.65X.12 HD ZN
24	122241	2	FLOOR PAN PIVOT
25	608000	2	BUSHING
26	781567	2	NT .500-13NLG5
27	608352	2	SPRING, EXTENSION
28	033001	6"	FLEXIBLE TRIM UNI-GRIP
29	127123-1	1	W/A, PLATFORM
30	601822	1	NUT PLATE, .420 CENTERS
31	602538	1	SWITCH PLUNGER, NC/NO
32	063198	2	CS #10-24X0.750FLKG5
33	127216-1	1	MOTOR SHIELD, LH
34	127217-1	1	MOTOR SHIELD, RH
35	602231	4	CS .312-18X1.00 BTNHD ZN



This page intentionally left blank



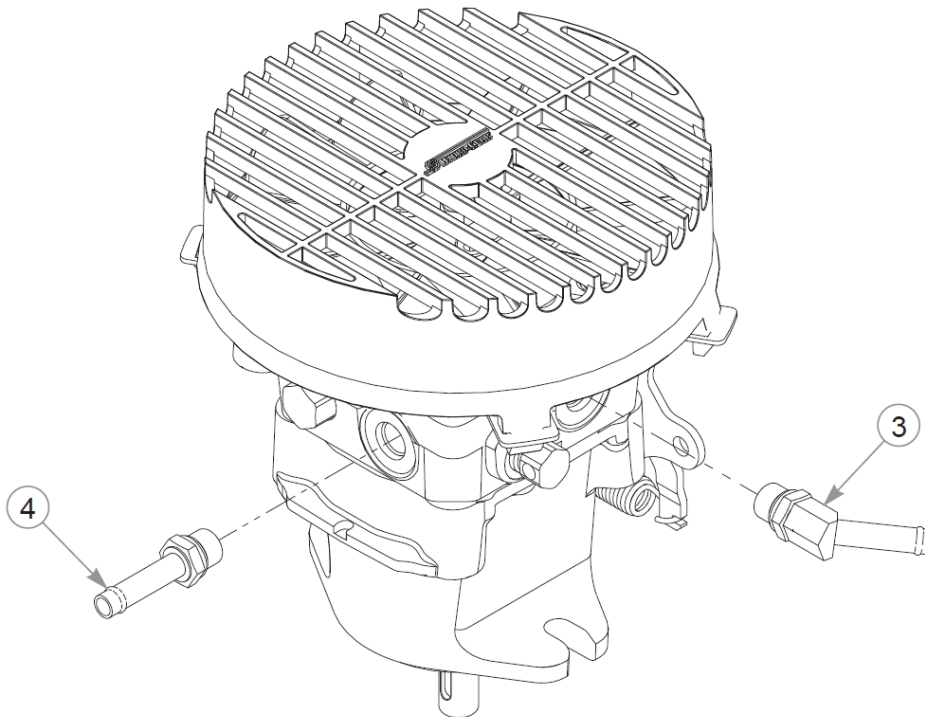
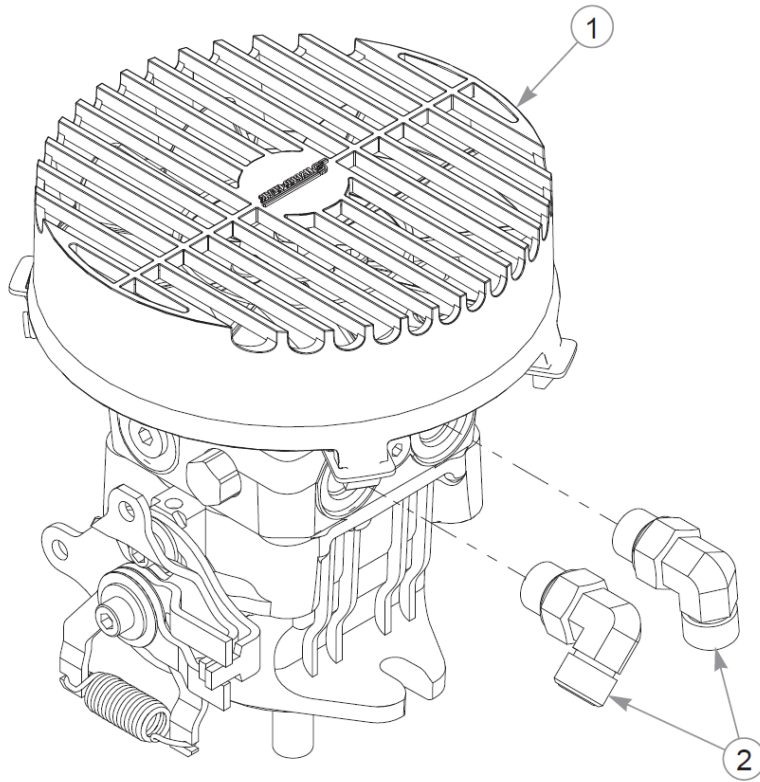
Item	Part No.	Qty	Name
1	N/A	1	REFER TO "LEFT PUMP ASSEMBLY"
2	787465	2	FTG, 90°-6MORB/-6BT
3	768333	1	FILTER HEAD ZINGA BF SE
4	768341	1	HYDRAULIC OIL FILTER
5	608082	1	LH PUMP SUCTION HOSE
6	763953	1	FTG T,-6 O-RING/-6J
7	608083	1	RH PUMP SUCTION HOSE
8	608072	1	HOSE, LEFT CASE DRAIN
9	608073	1	HOSE, RIGHT CASE DRAIN
10	000331	2	WIRE TIE, SMALL/SHORT
11	N/A	1	REFER TO "RIGHT PUMP ASSEMBLY"
12	041707	2	NT .437-14HXG5
13	704742	6	FW 0.453X.81X.06 ZN
14	608004	1	TUBE, RP-TM
15	608003	1	TUBE, LP-BM
16	606200	2	CS .437-20X1.50 HXG5
17	606176	2	LW .437 MED ZC
18	608001	1	TUBE, LP-TM
19	608002	1	TUBE, RP-BM
20	768127	1	KEY 5mm x30mm RADIUS EN
21	606263	2	SS .250-20 X .750 SQ
22	606184	1	PUMPSIDE COUPLING
23	605980	1	LH100 SPIDER 92A YELLOW
24	606266	1	JACKSHAFT GASKET
25	606327	1	FTG, 1/2X1/8 PTR-S VIBRA
26	606267	1	FTG, W369PLP-2-2 NPT
27	606353	1	NYLON TUBE, 1/8"
28	606183	1	JACKSHAFT ASSEMBLY
29	008193	4	NT .500-13HXG5
30	767962	12	FW .531 x 1.063 x .175
31	608057	1	1L EXPANSION TANK
32	000323	2	CLIP, HOSE CLAMP
33	608074	1	HOSE, VENT
34	608232	1	FTG, -4ORB -4BT
35	608071	1	HOSE, FILL
36	608291	2	CLAMP, -10 CONS TEN



This page intentionally left blank

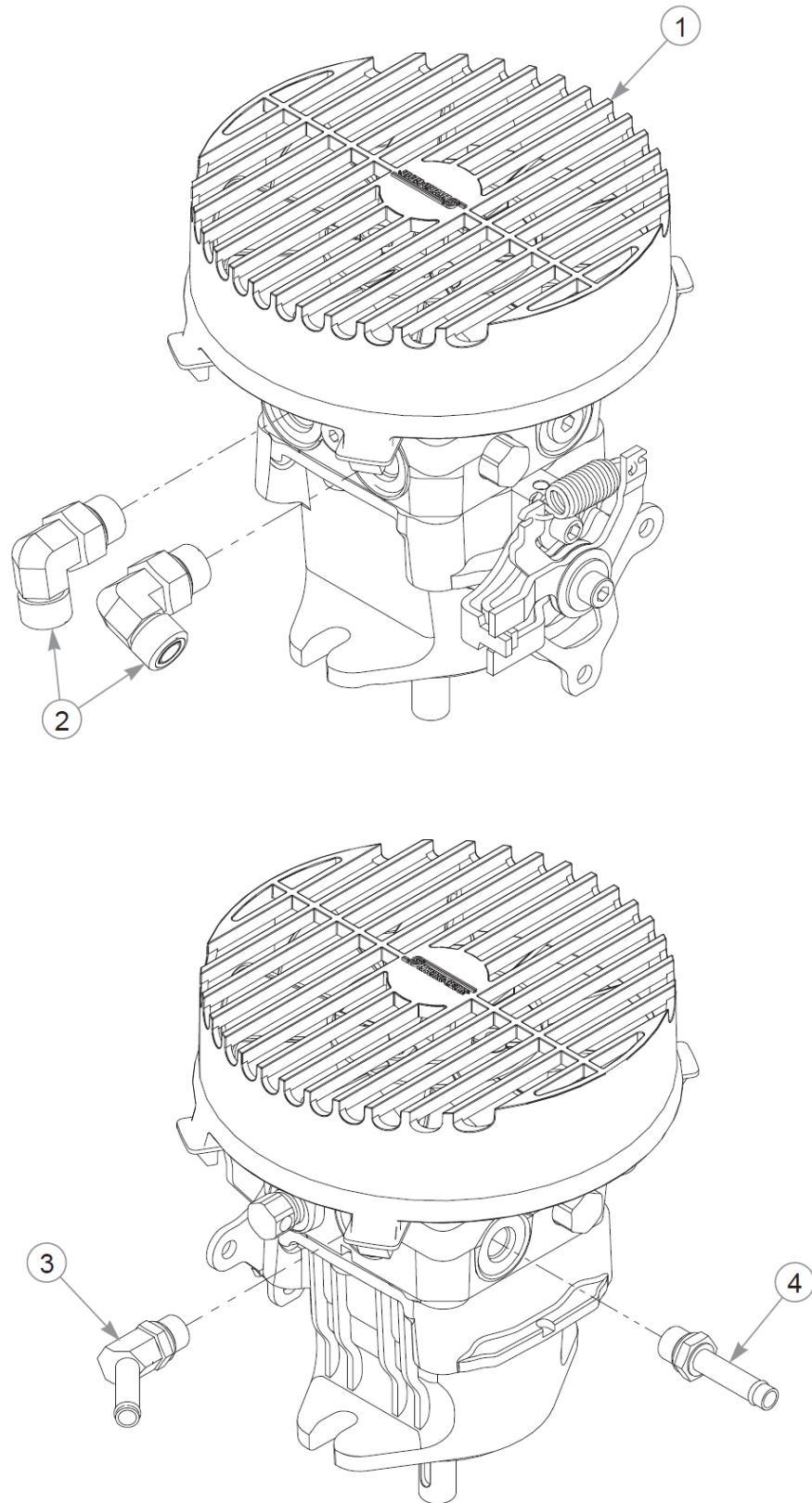
Item	Part No.	Qty	Name
37	608065	1	RESERVOIR W/A
38	781658	1	FTG, -8MORB/HEX PLUG
39	608081	1	HOSE, SUPPLY
40	705186	2	CS .437-14X1.375HXG5
41	N/A	2	REFER TO "MOTOR ASSEMBLY"
42	602384	2	HUB ASSY, PARKER
43	023317	8	NT .500-13UNTG8
44	028274	4	CB .500-13X 1.500 FULL
45	602256	8	CS .500-13X2.500 SQ G5
46	037887	3	CB .312-18X 1.000 FUL ZN
47	043570	1	CLIP - HOSE - SINGLE(FS)
48	016832	6	NT .312-18FLKG5
49	034280	3	CS .312-18X0.750HXG5
50	768523	3	FW 0.343SAE
51	068551	2	NT .250-20 HXZY NL
52	768515	4	FW 0.281SAE
53	126960-1	1	EXPANSION MOUNT
54	794784	4	CB .250-20 X .75 FUL ZN
55	055947	2	CS .250-20X0.50 HX G5 ZN
56	122481	1	BRACKET, OIL FILTER
57	016816	2	NT .250-20FLKG5

Left Pump Assembly



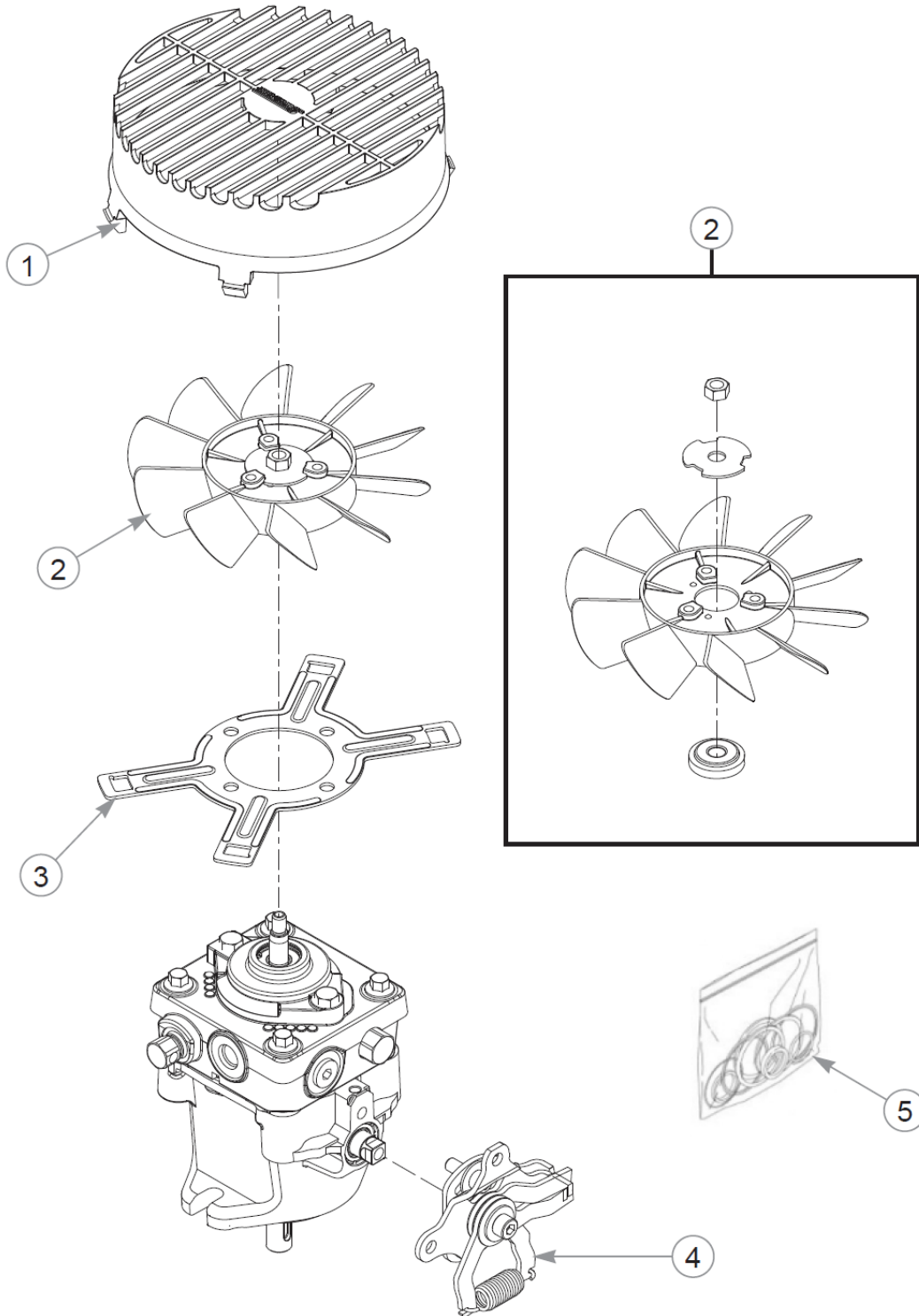
## Left Pump Assembly

Item	Part No.	Qty	Name
1	606058	1	PUMP, H-G 12CC W/FAN-HH
2	781542	2	FTG, 90°-8MORB/-8MORFS
3	784108	1	FTG, 45°-6MORB/-6BT
4	787473	1	FTG, -6MORB/-6 BEAD



## Right Pump Assembly

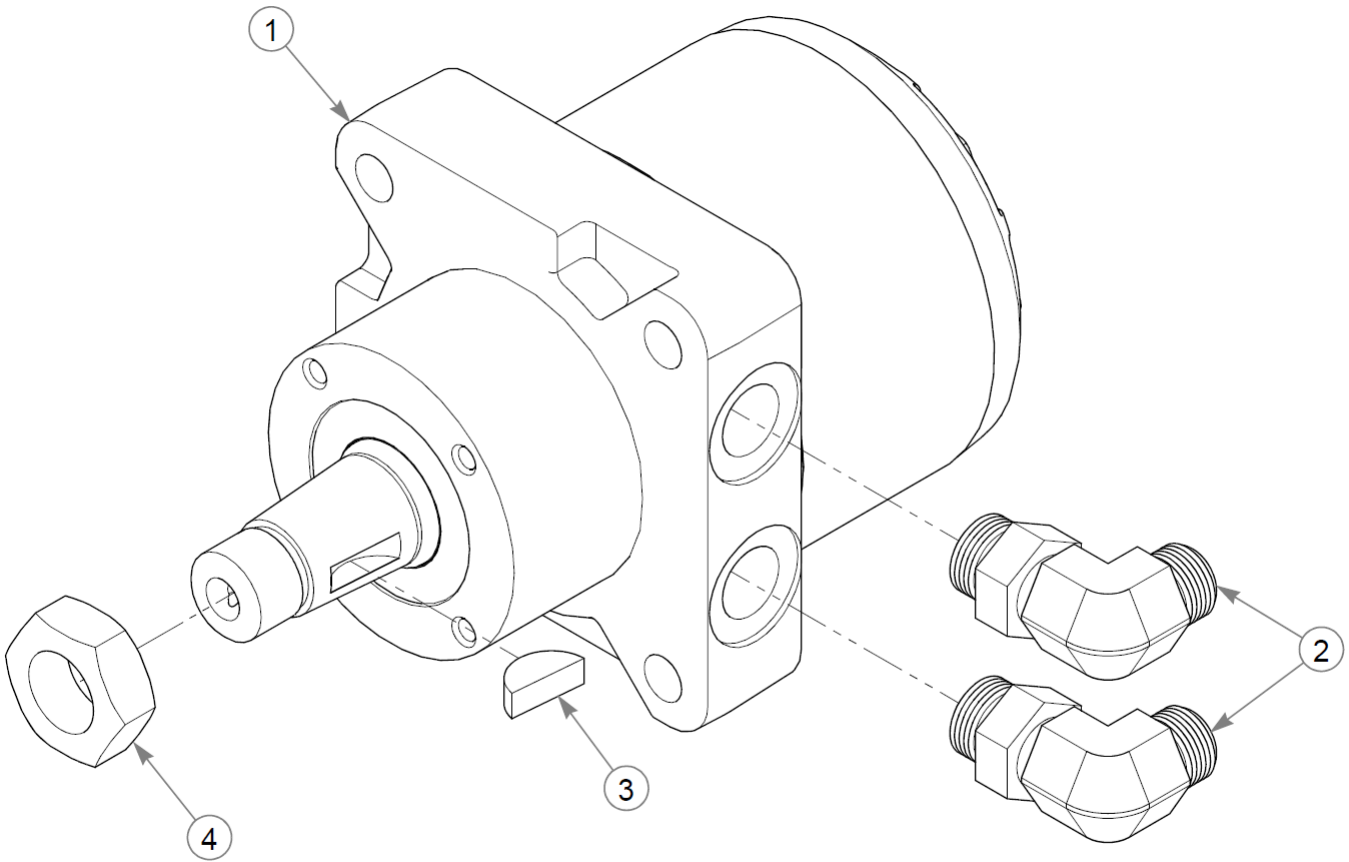
Item	Part No.	Qty	Name
1	606057	1	PUMP, H-G 12CC W/FAN-HH
2	781542	2	FTG, 90°-8MORB/-8MORFS
3	784108	1	FTG, 45°-6MORB/-6BT
4	787473	1	FTG, -6MORB/-6 BEAD



## Hydraulic Pump Service Parts

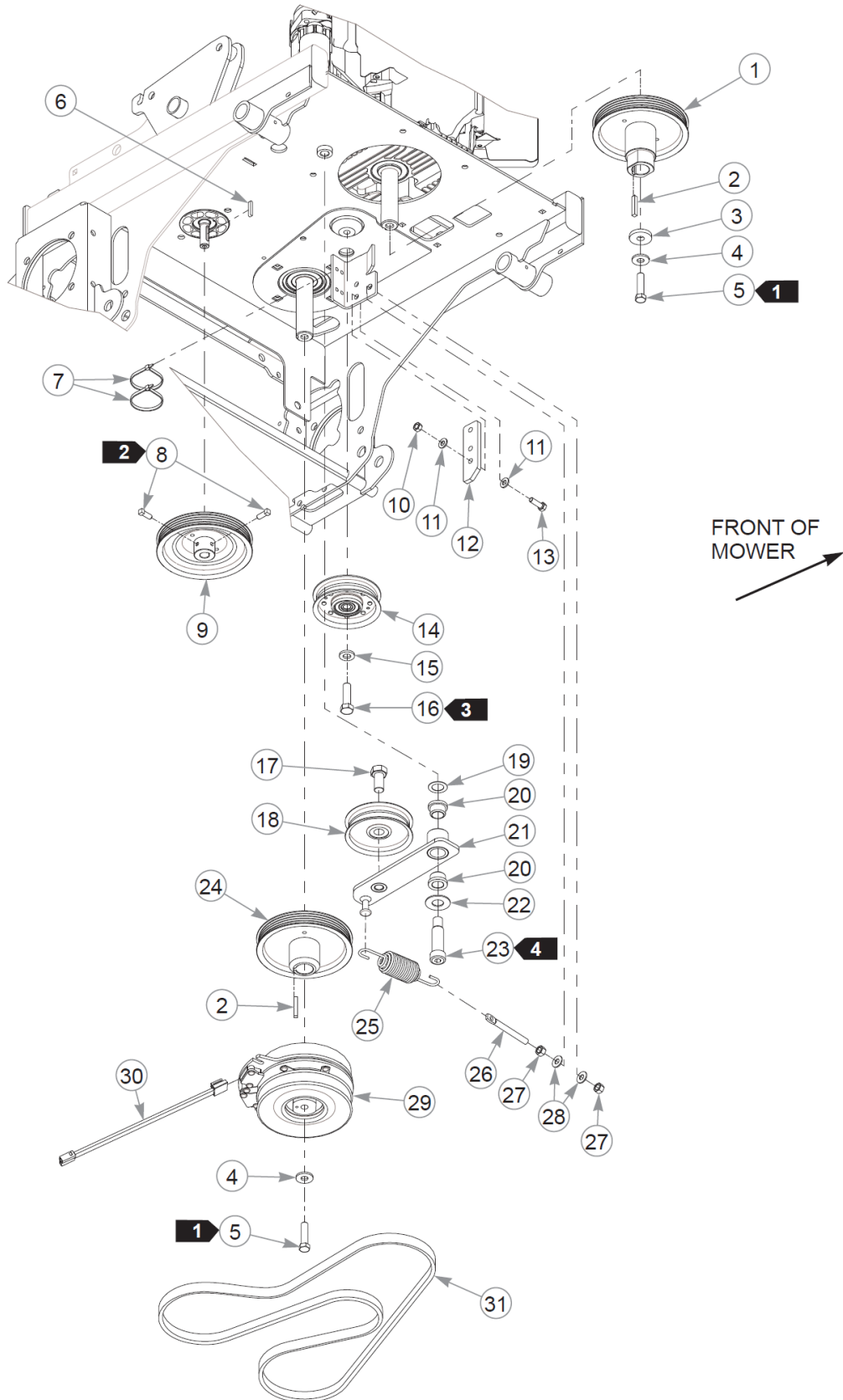
Item	Part No.	Qty	Name
1	606348	1	FAN SHROUD, 7"
2	606347	1	FAN KIT, 7"
3	606349	1	FAN MOUNT
4	606350	1	KIT, RTN, STD SCISSOR
5	780718	1	SEAL KIT, PG/PJ PUMPS



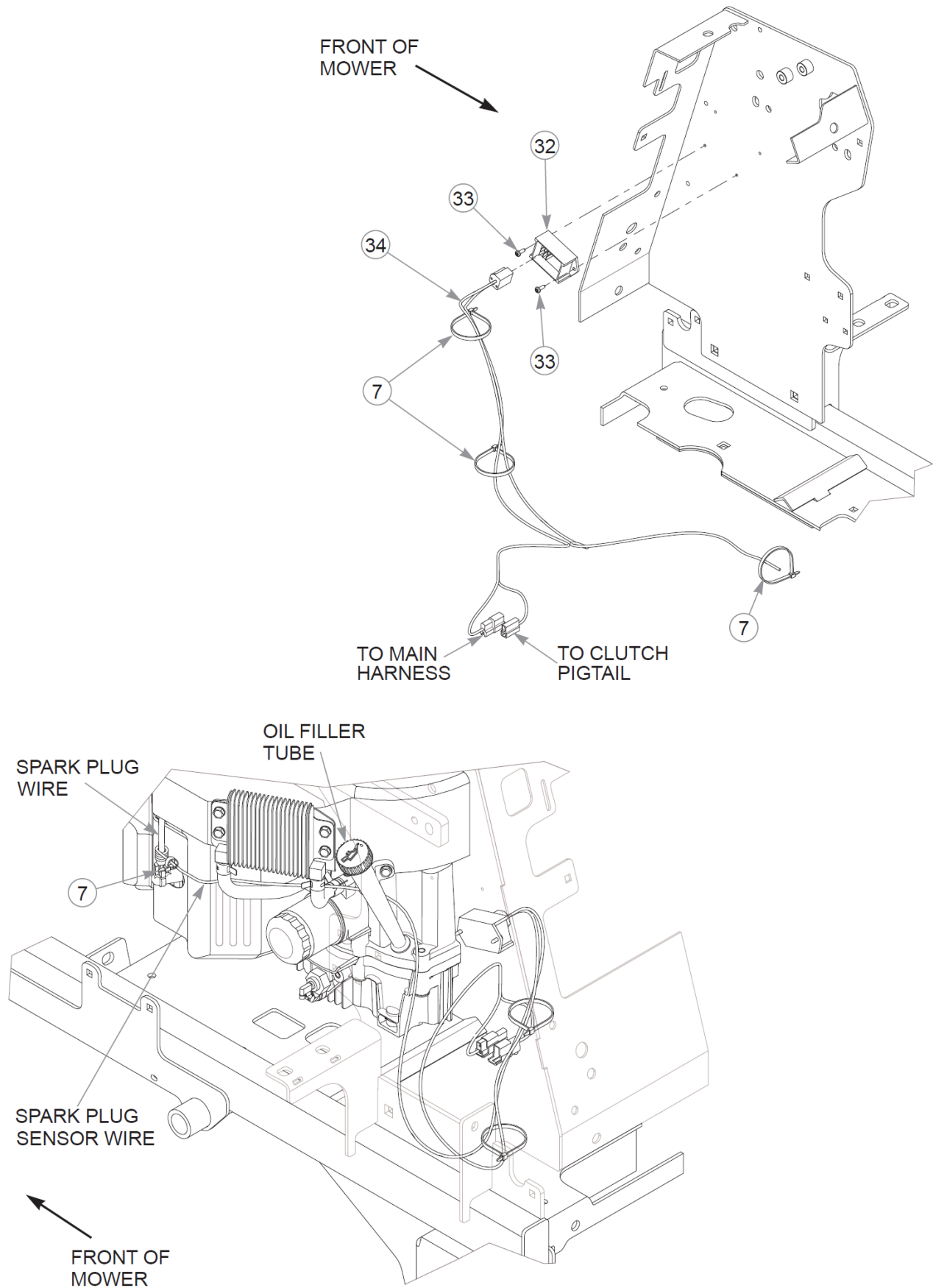


## Wheel Motor Assembly

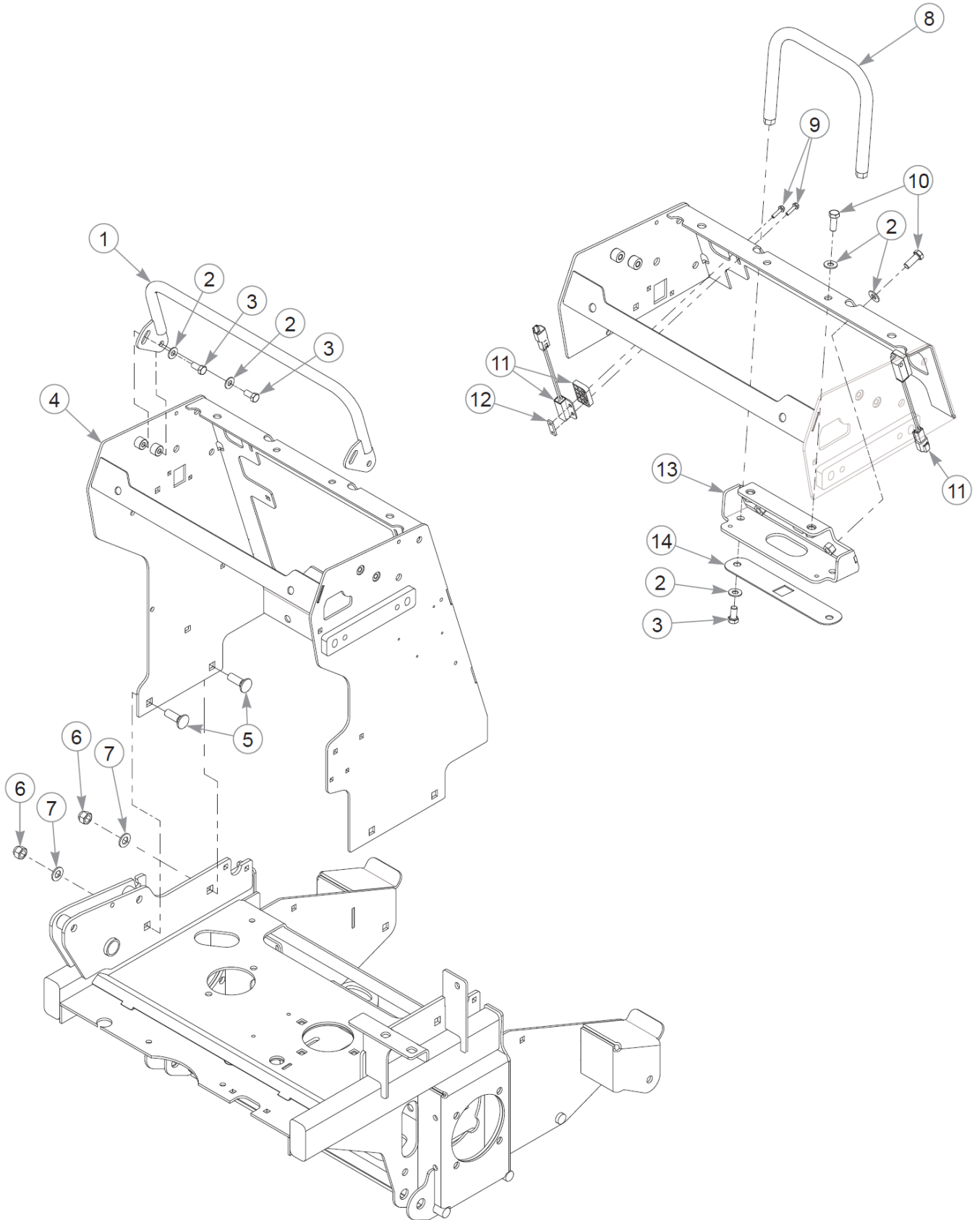
Item	Part No.	Qty	Name
1	607859	1	MOTOR, TL0280
2	781526	2	FTG, 90°-10MORB/-8MORFS
3	064337	1	ROSS WOODRUFF KEY
4	065516	1	ROSS NUT



This page intentionally left blank

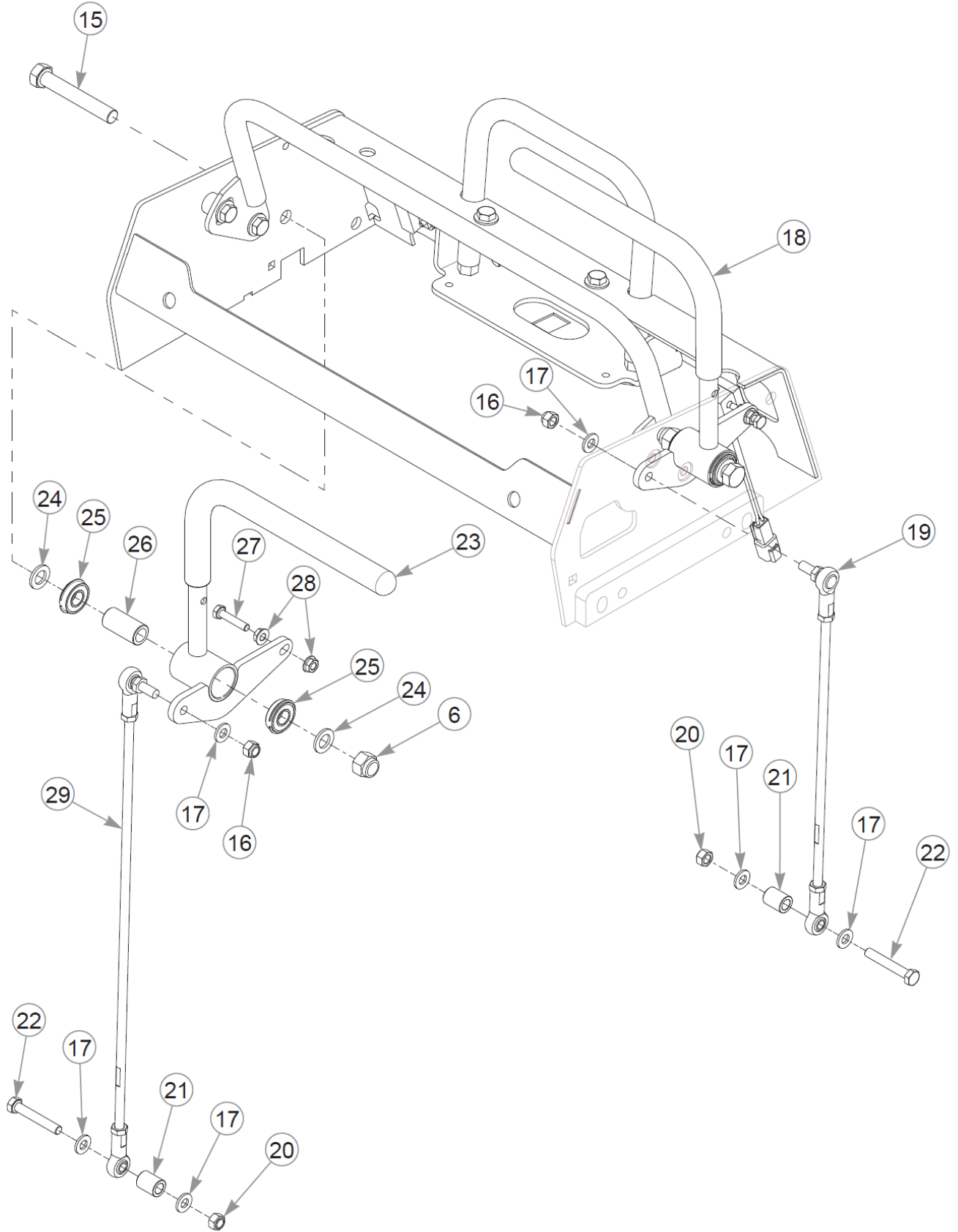


Item	Part No.	Qty	Name
1	605850	1	PULLEY, 6.111"OP MICRO V
2	212076	2	KEY 1/4 SQ X 1.50 LG(FS)
3	606259	1	FW .485X1.46X.25 ZY
4	602680	2	FW .453X1.12X.12 HRD ZN
5	606175	2	CS .437-20X1.75 HXG5 P85
6	768127	1	KEY 5mm x30mm RADIUS EN
7	000331	5	WIRE TIE, SMALL/SHORT
8	083196	2	SS .312-18X0.750SQ
9	606031	1	PULLEY, 6.111"OP MICRO V
10	034272	2	NT .312-18HXG5
11	768523	4	FW 0.343SAE
12	113347	1	CLUTCH ANCHOR
13	036236	2	CS .312-18X1.000HXG5
14	606066	1	PULLEY, 4" FLAT IDLER
15	606256	1	FW .515X1.00X.13 ZN
16	017616	1	CS .500-13X1.750HXG5
17	781872	1	CS .625-11X1.250HXG5
18	601488	1	PULLEY, 4" FLAT IDLER
19	704791	1	FW .781X1.25X.02 ZN
20	781153	2	BUSHING, UHMW
21	122528	1	IDLER ARM, W/A
22	025296	1	FW .760X1.63X0.08 ZN
23	601084	1	SB .750X 2.000 SH.625-11
24	605854	1	PULLEY, 6.111"OP MICRO V
25	781302	1	IDLER SPRING
26	601486	1	EB, .375-16X3.00 FULTHD
27	054502	2	NT .375-16HXG5
28	767954	2	FW 0.379X.82X.06 HD ZN
29	606352K	1	CLUTCH KIT, 606352
30	606430	1	HARNESS, CLUTCH PIGTAIL
31	606371	1	DRIVE BELT
32	606420	1	SOFT START MODULE
33	605225	2	CS #8-32 PH TRX
34	606419	1	SOFT START PIGTAIL



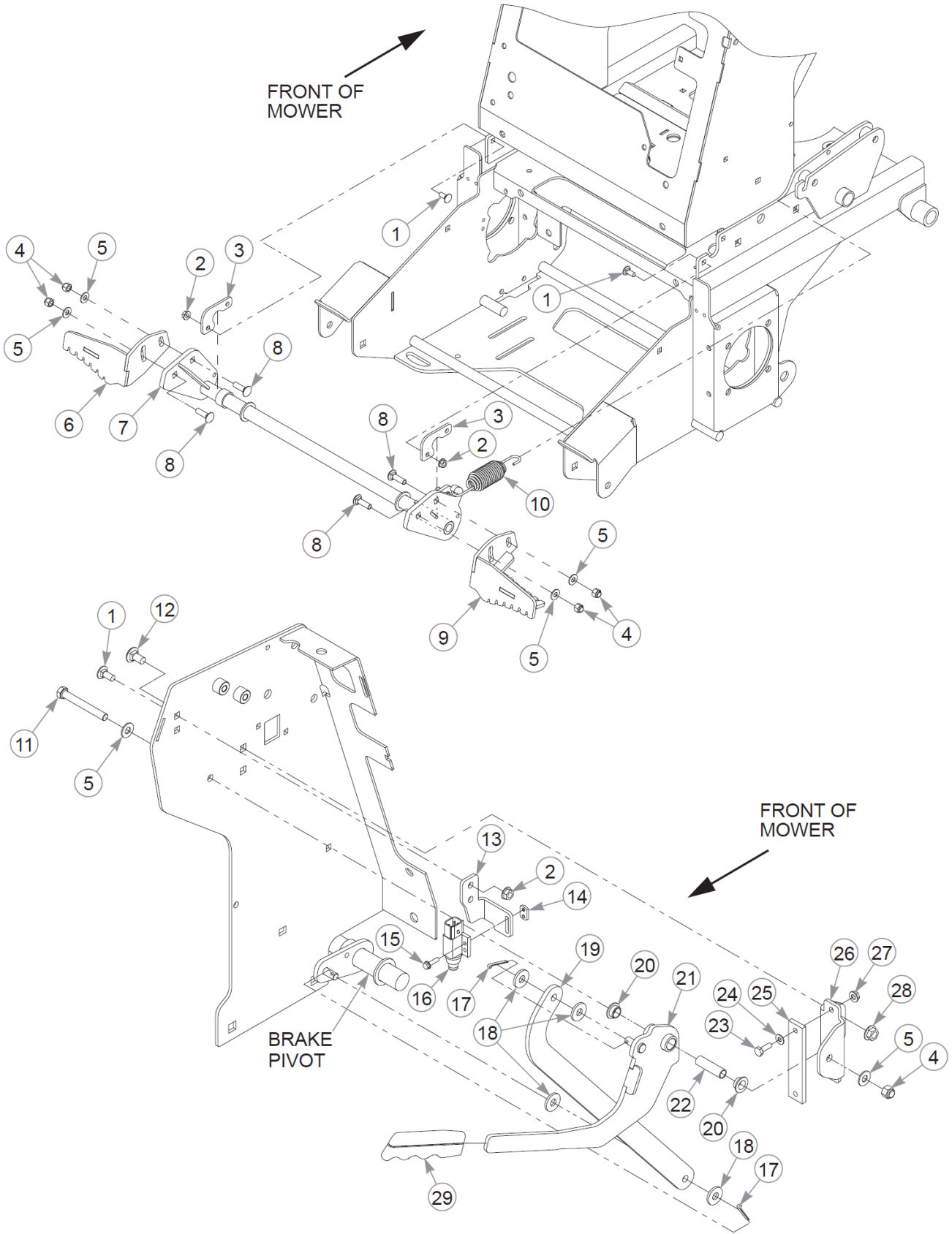
This page intentionally left blank





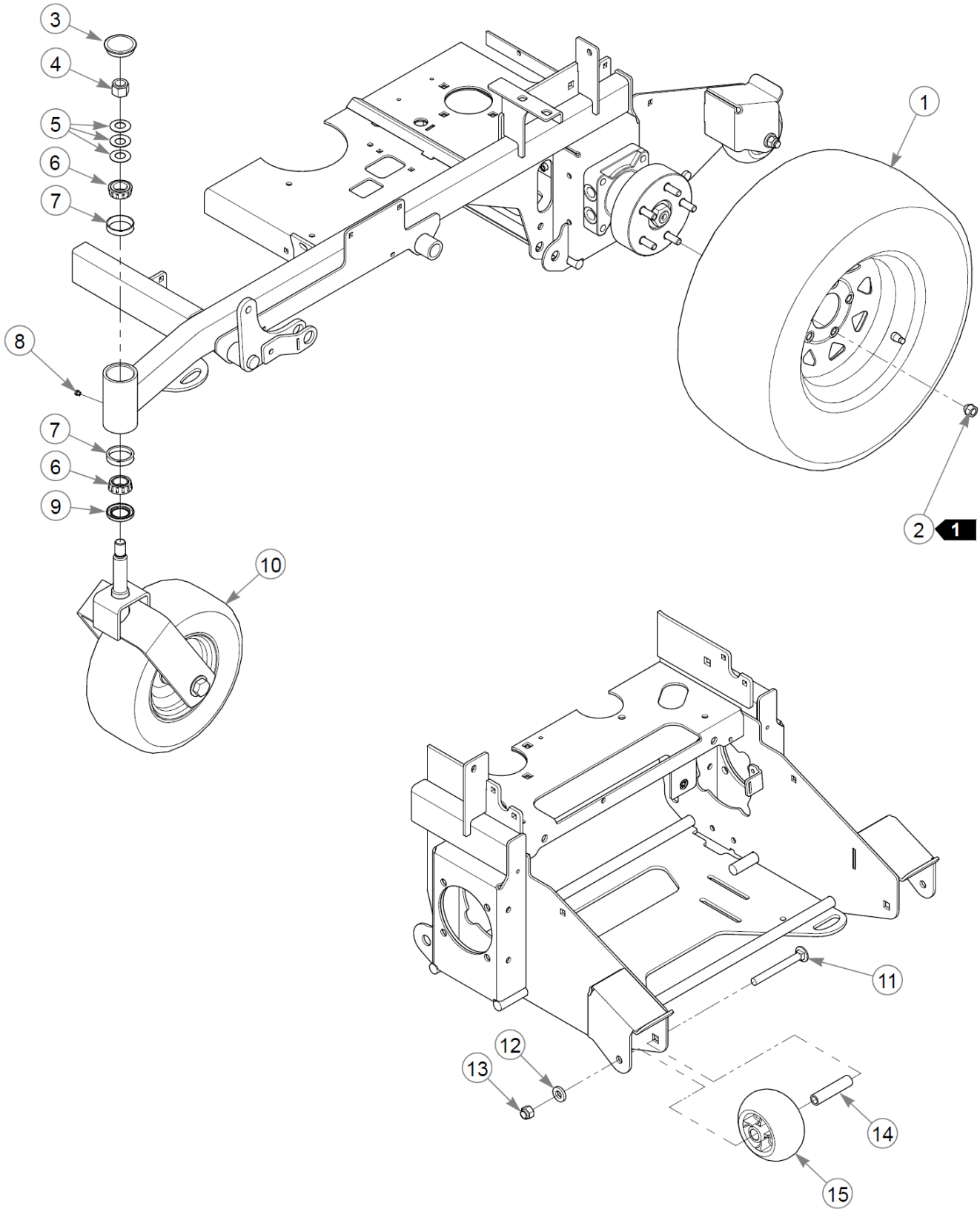
Item	Part No.	Qty	Name
1	127113-1	1	W/A, FWD STOP
2	767954	10	FW 0.379X.82X.06 HD ZN
3	055822	6	CS .375-16X0.75 HX G5 ZN
4	127206-1	1	TOWER W/A
5	028274	4	CB .500-13X 1.500 FULL
6	781567	6	NT .500-13NLG5
7	004168	4	FW .531x1.00x.090 ZN
8	127112-1	1	W/A, REAR STOP
9	063198	4	CS #10-24X0.750FLKG5
10	036244	4	CS .375-16X1.00 HX G5 ZN
11	605325	2	SWITCH, PROX
12	608293	2	NUT PLATE, 10-24
13	127203-1	1	W/A, HANDLE MOUNT
14	127276-1	1	PANEL, FUSE MOUNT
15	077859	2	CS .500-13X3.250HXG5
16	023655	2	NT 0.312-24 NL G8
17	768523	6	FW 0.343SAE
18	608315	1	HANDLE ASSY, LH
Not Shown	608314	1	GRIP, HANDLE
19	608317	1	PUMP ROD ASSEMBLY
20	058776	2	NT .312-18NLG5
21	606285	2	SPACER, .375X.625X.800
22	064345	2	CS .312-18X2.000HXG5
23	608316	1	HANDLE ASSY, RH
Not Shown	608314	1	GRIP, HANDLE
24	718288	4	FW .516X.88X.09 ZN
25	608254	4	BEARING
26	608294	2	SPACER, STEERING
27	603968	2	CS .250-20X1.25 HX FLTRD
28	016816	4	NT .250-20FLKG5
29	608318	1	PUMP ROD ASSEMBLY

Brake



# Brake

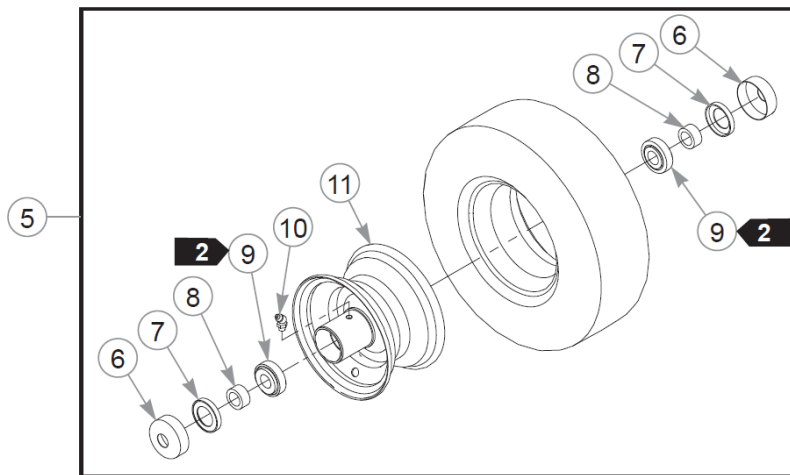
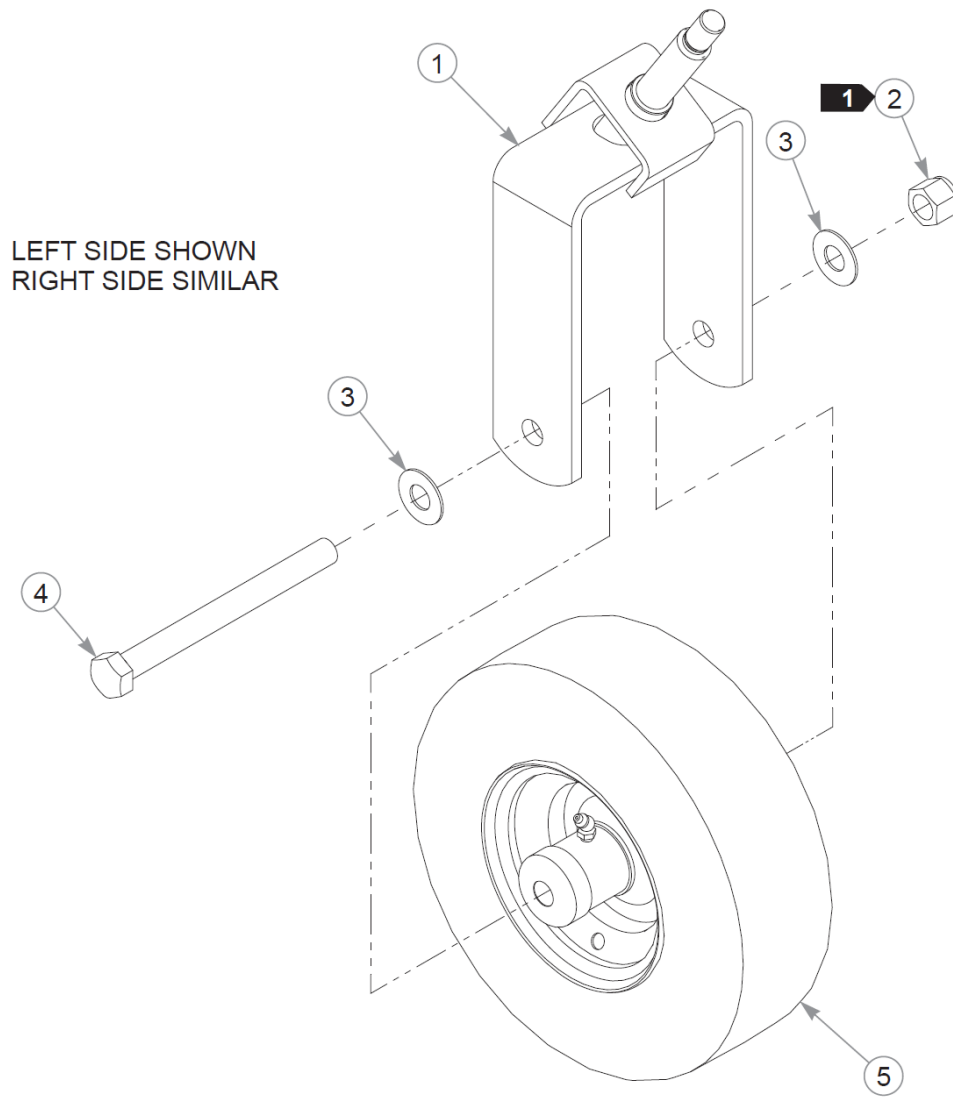
Item	Part No.	Qty	Name
1	016253	6	CB .312-18X .750 FUL ZN
2	016832	6	NT .312-18FLKG5
3	127274-1	2	GUIDE, BRAKE PIVOT
4	086660	5	NT .375-16NLG8
5	767954	6	FW 0.379X.82X.06 HD ZN
6	127286-4	1	W/A, BRAKE CLEAT LH
7	127277-4	1	W/A, BRAKE PIVOT
8	603113	4	CB .375-16X1.250 G5 ZN
9	127285-4	1	W/A, BRAKE CLEAT RH
10	781302	1	IDLER SPRING
11	016444	1	CS .375-16X3.000HXG5
12	011320	2	CB .375-16X .750 STD ZN
13	127275-1	1	BRKT, BRAKE SWITCH
14	601822	1	NUT PLATE, .420 CENTERS
15	063198	2	CS #10-24X0.750FLKG5
16	602538	1	SWITCH PLUNGER, NC/NO
17	017244	2	CP .125DX1.000 LG HML Z
18	712919	4	FW 0.406X1.00X.12 HD ZN
19	127273-1	1	PULL LINK
20	768259	2	BUSHING,IGUS#0810 (FS)
21	127268-4	1	W/A, BRAKE HANDLE
22	608353	1	SLEEVE
23	055939	2	CS .250-20X0.75 HX G5 ZN
24	017079	2	FW .250SAE
25	608324	1	PAD, HANDLE STOP
26	127272-1	1	BRKT, HANDLE MOUNT
27	016816	2	NT .250-20FLKG5
28	016899	2	NT .375-16 FLKG5
29	604377	1	GRIP, 1/4 X 1.000 BLACK



## Wheels & Tires

Item	Part No.	Qty	Name
1	606499	2	TIR/WHL 24X9.50-12 BLK
2	061077	10	WHEEL NUT
3	606711	2	DUST CAP
4	061101	2	NT .750-10 HX ZN NL GR B
5	606715	6	CW 0.766 X 1.50 X .093
6	606712	4	BEARING, TAPERED ROLLER
7	606713	4	RACE, TAPERE ROLLER
8	606817	2	GREASE PLUG
9	606714	2	SEAL, 1.25 X 1.98
10	N/A	2	REFER TO "FRONT WHEEL ASSEMBLY"
11	602339	2	CB .50-13 X 4.50 STD ZN
12	767962	2	FW .531 x 1.063 x .175
13	781567	2	NT .500-13NLG5
14	602345	2	SPACER, ANTI-SCALP 3.22
15	602263	2	WHEEL, ANTI-SCALP

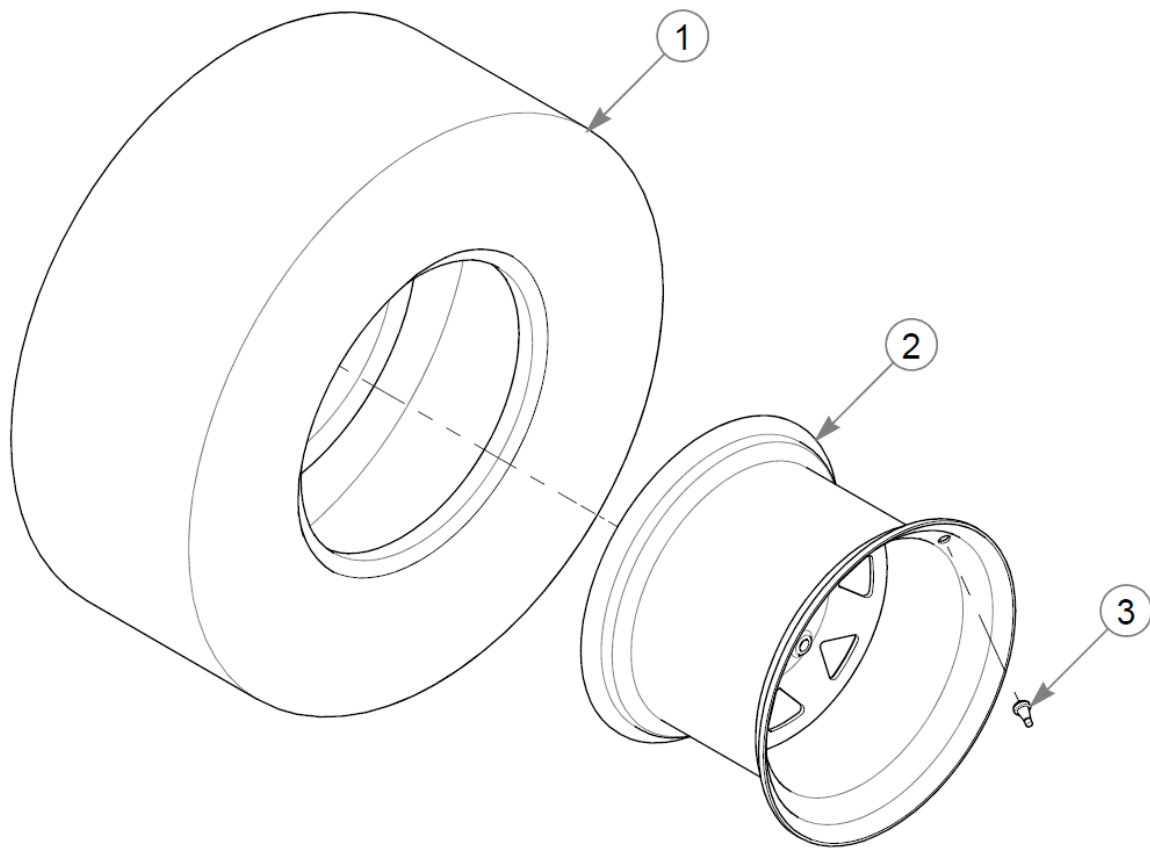
# Front Wheel Assembly



## Front Wheel Assembly

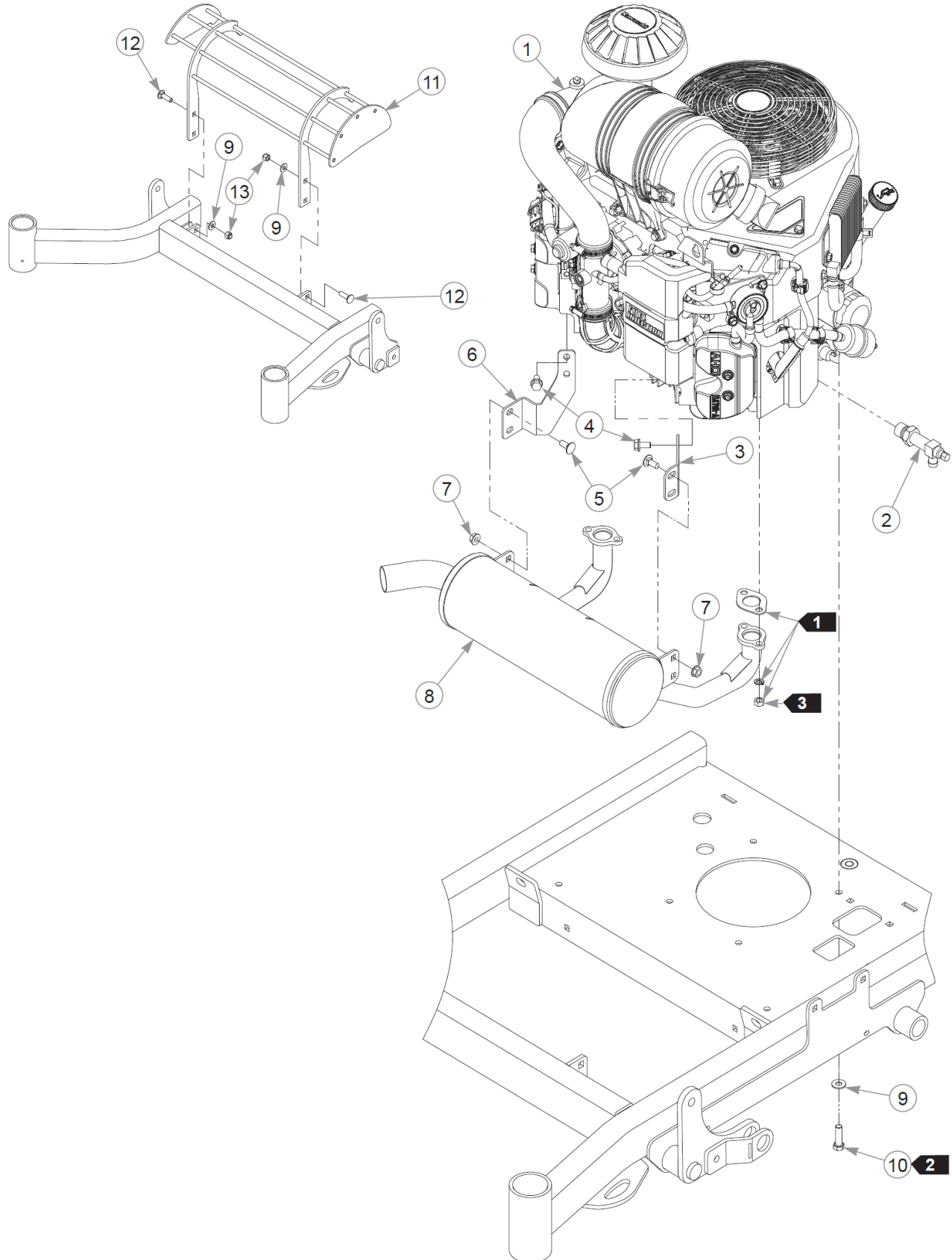
Item	Part No.	Qty	Name
1	126408-1	1	W/A, CASTER FORK
2	061101	1	NT .750-10 HX ZN NL GR B
3	025296	2	FW .760X1.63X0.08 ZN
4	786731	1	CS .750-10X8.000HXG5
5	606743	1	TIR/WHL 13X5.00-6 BLK
6	606815	2	DUST CAP, 0.752 ID
7	606780	2	SEAL
8	606778	2	SPACER, 0.531
9	606753	2	BEARING, TAPERED ROLLER
10	606126	1	GREASE FITTING, M8X1.0
11	606750	1	WHL 6X3.25 BLK



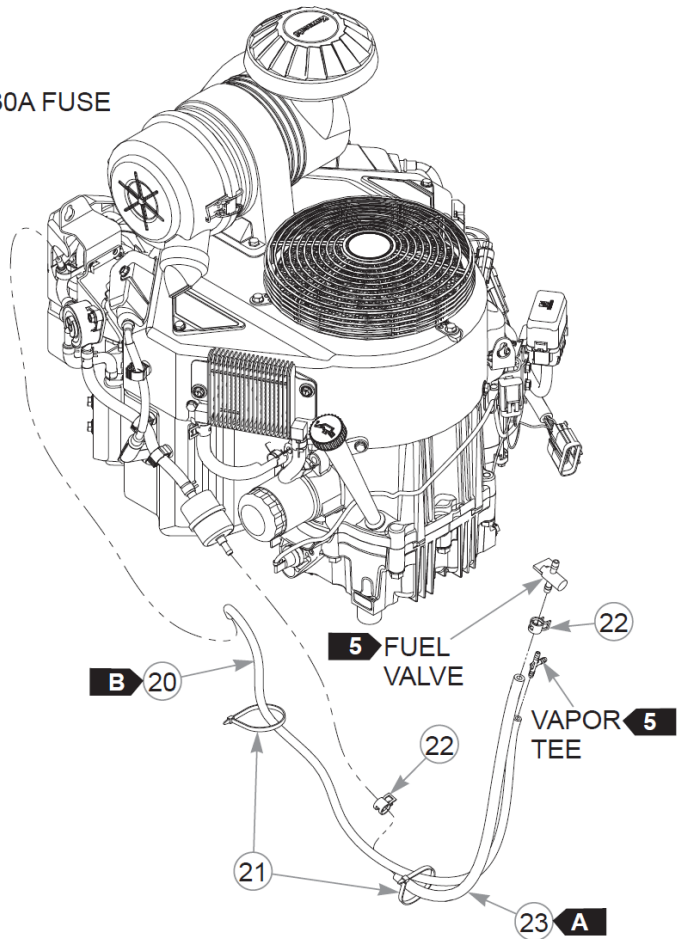
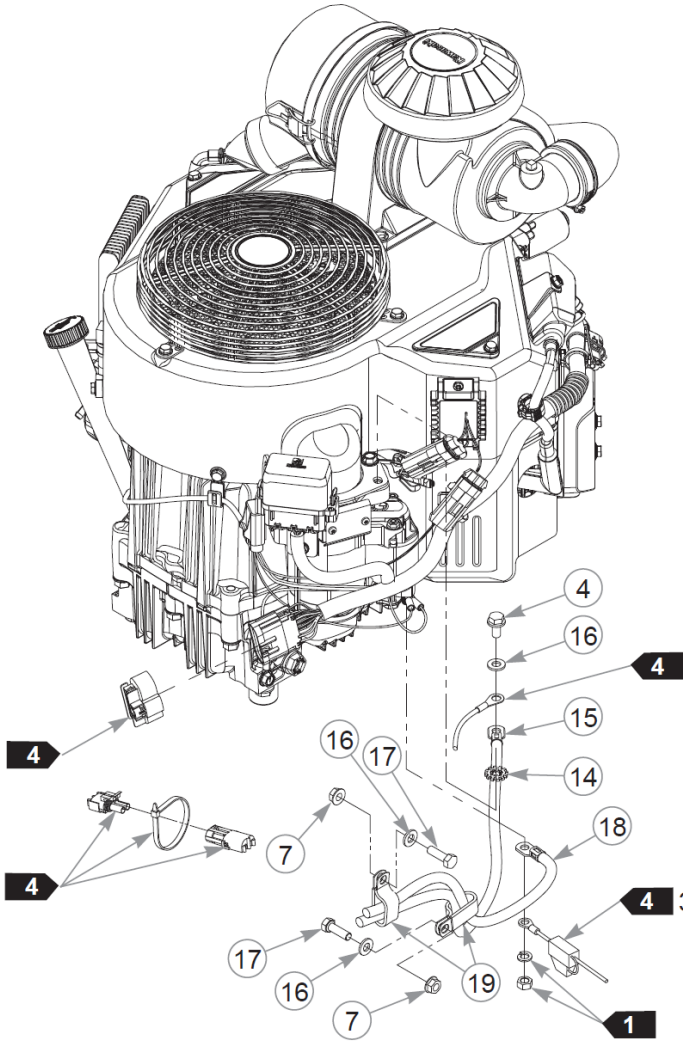


## Drive Wheel Assembly

Item	Part No.	Qty	Name
1	782284	1	TIR 24X9.50-12 B4R LTFT
2	606500	1	WHL 12X7.00 5X4.5 BLK
3	019521	1	TIRE VALVE TR-412 GOODY

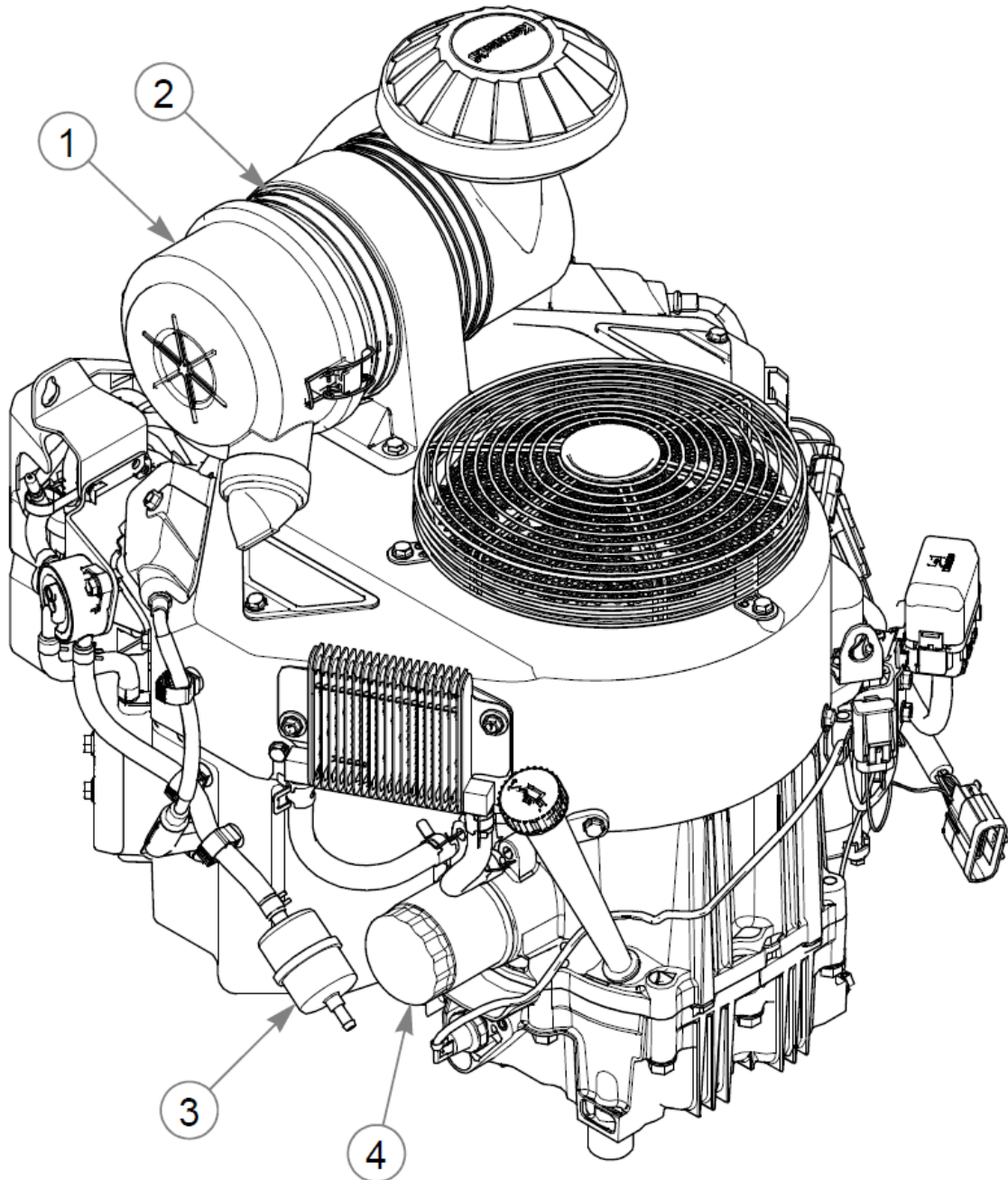


This page intentionally left blank



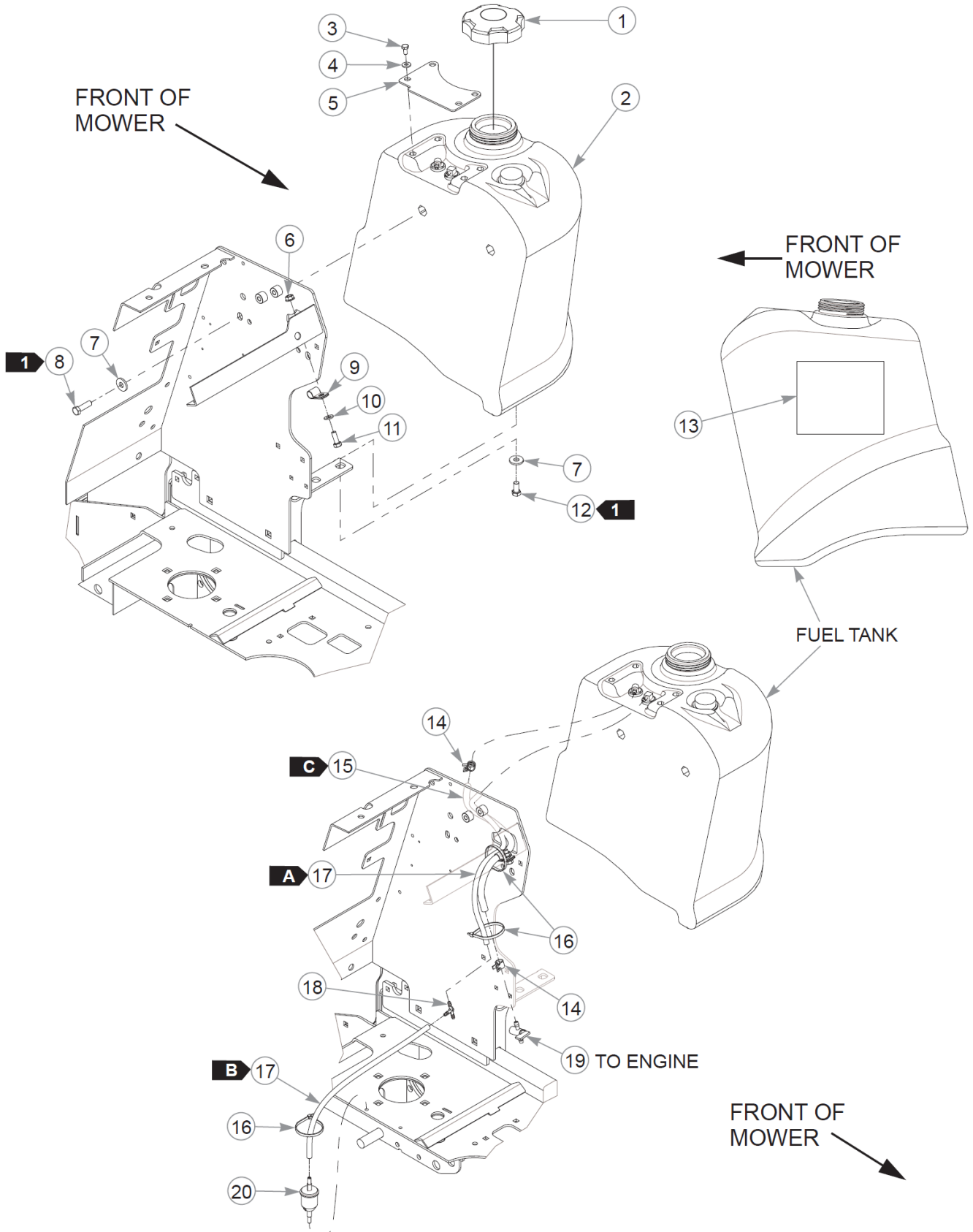
**Engine & Muffler (Multi-Page)**

Item	Part No.	Qty	Name
1		1	ENGINE, KAW FX850V EFI
2	796524	1	VALVE,OIL DRAIN M20x2.5
3	125262-3	1	MUFFLER STAY, LH
4	720516	5	CS M8-1.25X16HX FL10.9
5	016253	4	CB .312-18X .750 FUL ZN
6	125263-3	1	MUFFLER STAY, RH
7	016832	6	NT .312-18FLKG5
8	606585	1	MUFFLER, FX850V
9	767954	8	FW 0.379X.82X.06 HD ZN
10	602580	4	CS .375-16X1.25HXG8ZYP85
11	126972-3	1	MUFFLER GUARD W/A
12	603113	4	CB .375-16X1.250 G5 ZN
13	086660	4	NT .375-16NLG8
14	029876	1	LW .312 INTEXT ZN
15	744284	1	BATTERY CABLE NEGATIVE
16	768523	3	FW 0.343SAE
17	036236	2	CS .312-18X1.000HXG5
18	744276	1	BATTERY CABLE POSITIVE
19	043646	2	CLAMP, CUSHIONED DOUBLE
20	603326	29"	VAPOR LINE, 3/16"
<p>Comments for Part Num. 603326</p> <p>Sold by the foot.</p>			
21	000331	2	WIRE TIE, SMALL/SHORT
22	000323	2	CLIP, HOSE CLAMP
23	015818	16"	FUEL LINE, 1/4"
<p>Comments for Part Num. 015818</p> <p>Sold by the foot.</p>			



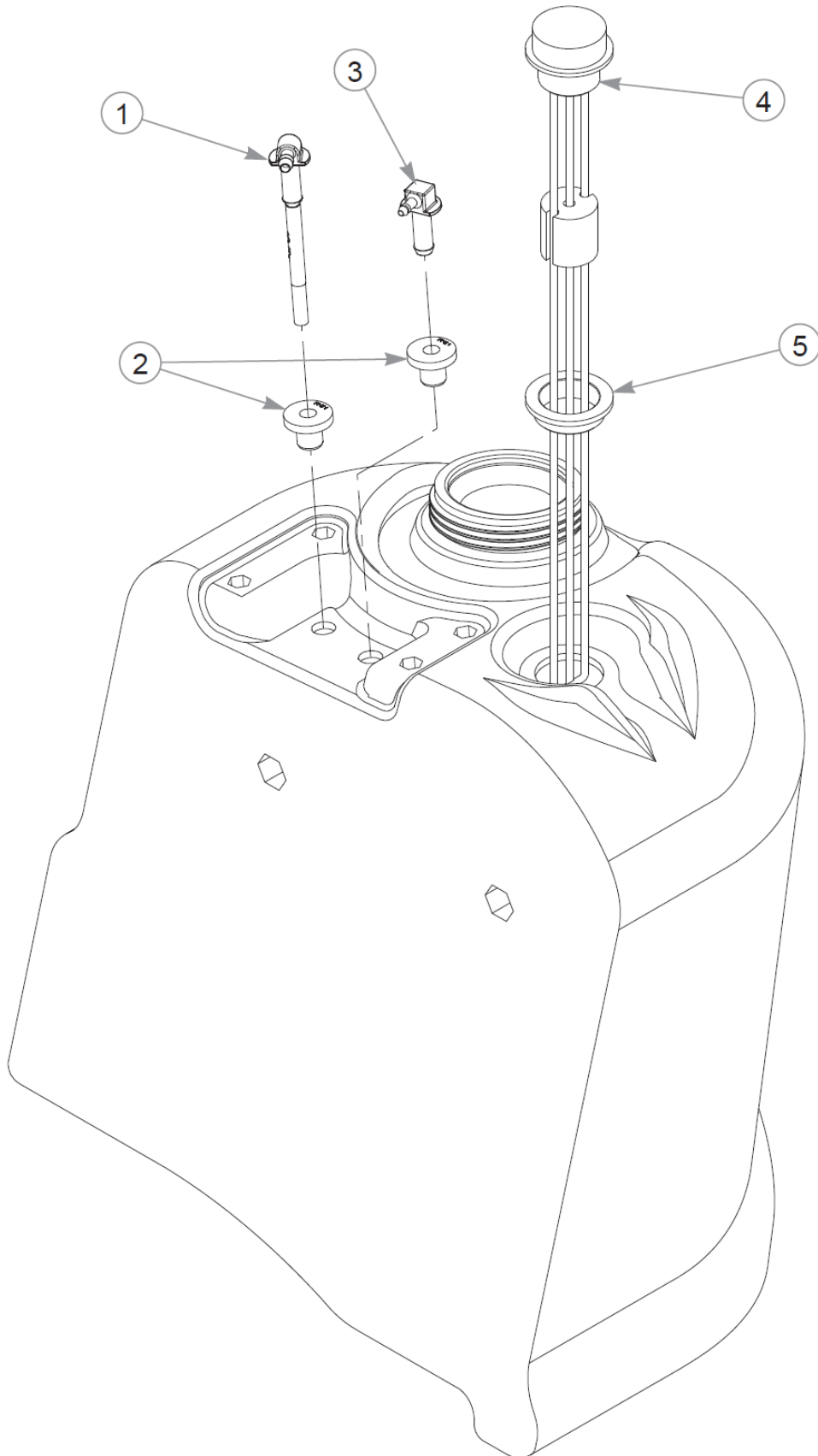
Item	Part No.	Qty	Name
1	785261	1	AIR FILTER - MAIN
2	785279	1	AIR FILTER - SAFETY
3	604558	1	FILTER, KAWASAKI FUEL
4	603138	1	ENGINE OIL FILTER





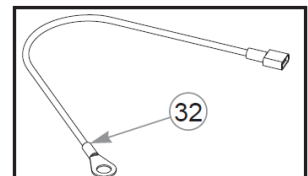
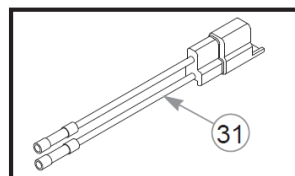
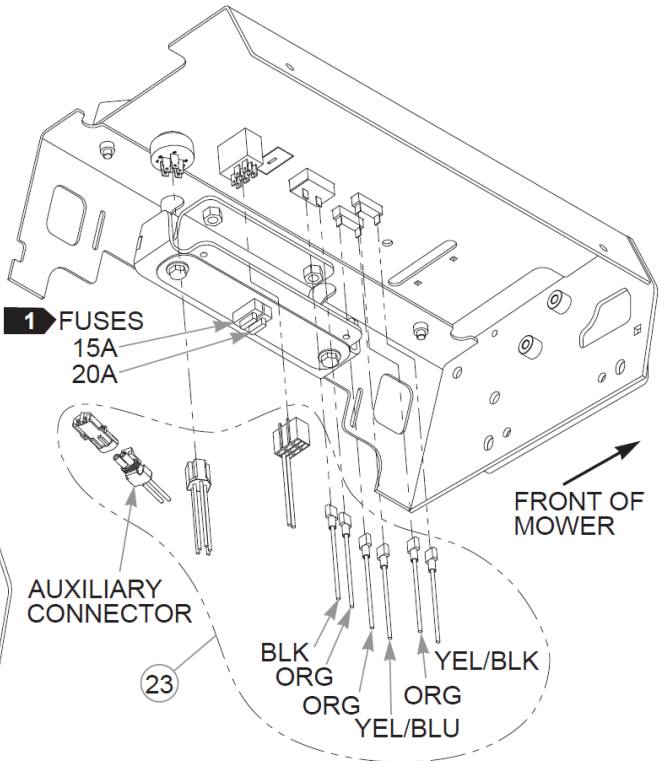
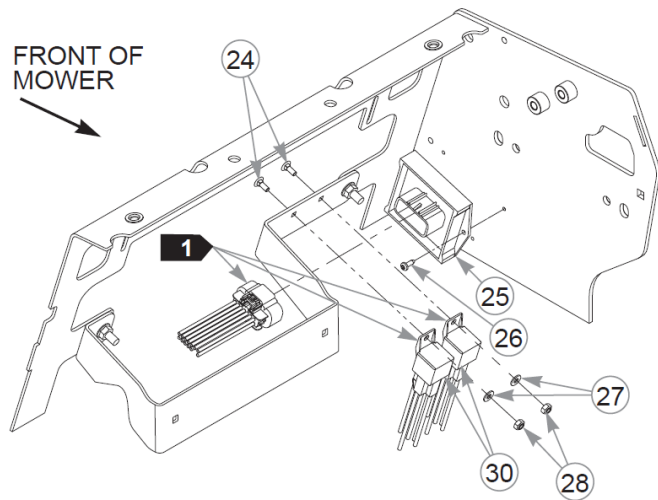
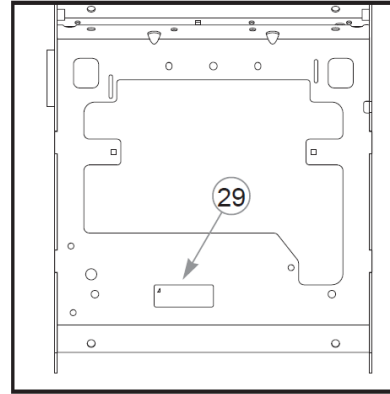
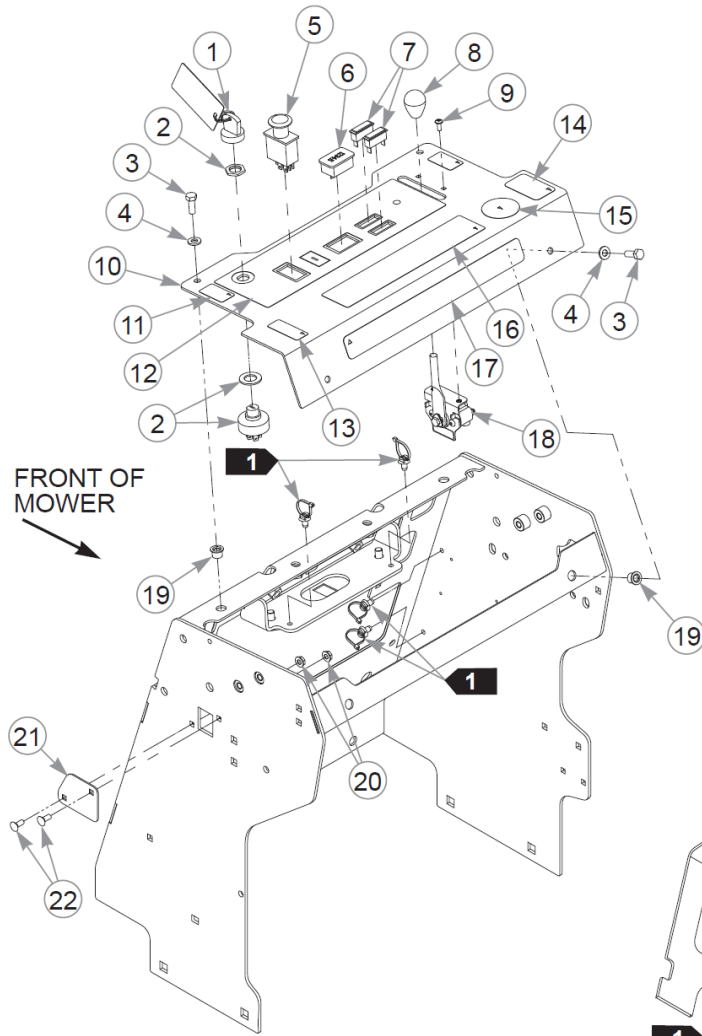
# Fuel System

Item	Part No.	Qty	Name
1	603807	1	CAP, 3.5" RATCHETING GAS
2	605908	1	FUEL TANK
3	055947	4	CS .250-20X0.50 HX G5 ZN
4	768515	4	FW 0.281SAE
5	122115	1	FUEL TANK COVER PLATE
6	016832	1	NT .312-18FLKG5
7	712919	6	FW 0.406X1.00X.12 HD ZN
8	052860	2	CS .375-16X1.25 HX G5 ZN
9	000398	1	CLAMP - 50 CNT BAGS
10	768523	1	FW 0.343SAE
11	064014	1	CS .312-18X0.875HXG5
12	055822	4	CS .375-16X0.75 HX G5 ZN
13	606052	1	DECAL, TANK
14	000323	2	CLIP, HOSE CLAMP
15	015818	14"	FUEL LINE, 1/4"
<p>Comments for Part Num. 015818</p> <p>Sold by the foot.</p>			
16	000331	3	WIRE TIE, SMALL/SHORT
17	603326	32"	VAPOR LINE, 3/16"
<p>Comments for Part Num. 603326</p> <p>Sold by the foot.</p>			
18	605690	1	TEE, 3/16" PLASTIC
19	605601	1	FUEL SHUT-OFF VALVE
20	604323	1	VAPOR SYSTEM FILTER



# Fuel Tank Service Parts - 605908

Item	Part No.	Qty	Name
Not Shown	605908	1	FUEL TANK
1	605156K	1	SUCTION HOSE SVC KIT
2	604200K	2	GROMMET SVC KIT
3	604287K	1	VENT FITTING SVC KIT
4	606055K	1	FUEL GAUGE SVC KIT
5	603838K	1	SVC KIT, TANK GROMMET



Item	Part No.	Qty	Name
1	785808	1	KEY ASSEMBLY
2	045898	1	IGNITION SWITCH
3	064014	4	CS .312-18X0.875HXG5
4	768523	4	FW 0.343SAE
5	776476	1	SWITCH, PTO 6201-321
6	769166	1	HOUR METER
7	712257	2	INDICATOR LIGHT, RED(FS)
8	603523	1	KNOB
9	606851	2	CS 10-24X .500 PH SH ZN
10	555888	1	SVC, INSTR PANEL
11	606218	2	DECAL, STEERING
12	608308	1	DECAL, INST PANEL, EFI
13	607714	1	DECAL, PARK BRAKE
14	605688	1	DECAL, LEVEL FUEL FILL
15	608127	1	DECAL, USA, F&D
16	606215	1	DECAL, SAFE OPERATION
17	602407	1	DECAL, HUSTLER ID
18	607767	1	THROTTLE, EFI SHORT
19	808485	4	RIVET NUT, 5/16-18 THRE
20	016816	2	NT .250-20FLKG5
21	127297-1	1	COVER, SWITCH HOLE
22	601503	2	CB .250-20 X .625 ZN
23	608345	1	WIRE HARNESS
24	601098	2	CB 10-24 X .500 ZYNC
25	607545	1	CONTROLLER, STANDON
26	605225	2	CS #8-32 PH TRX
27	704932	2	FW 0.219X.50X.05 ZN
28	059832	2	NT #10-24 HX NL ZN
29	601058	1	DECAL, HOT/SYN HYDRO OIL
30	601053	2	RELAY, SEALED W/BACKET
31	114052	1	KIT, CLUTCH CONN. REP.
32	604430	1	WIRE HARNESS

Comments for Page: Instrument Panel & Wire Harness

1. Part of the wire harness.

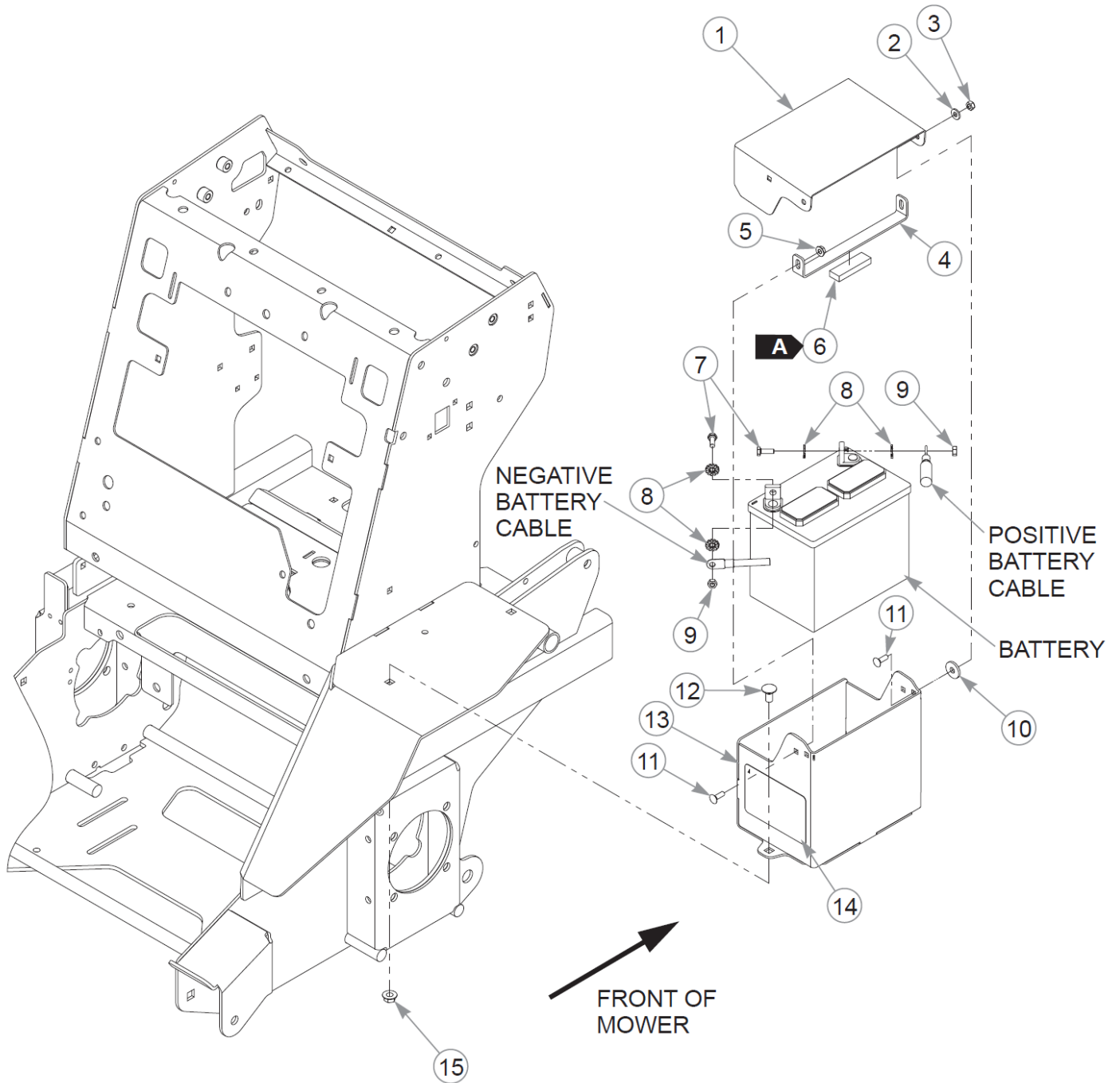
## Instrument Panel & Wire Harness

2. The instrument panel includes the decal.
3. The sealed relay includes a bracket.

This page intentionally left blank

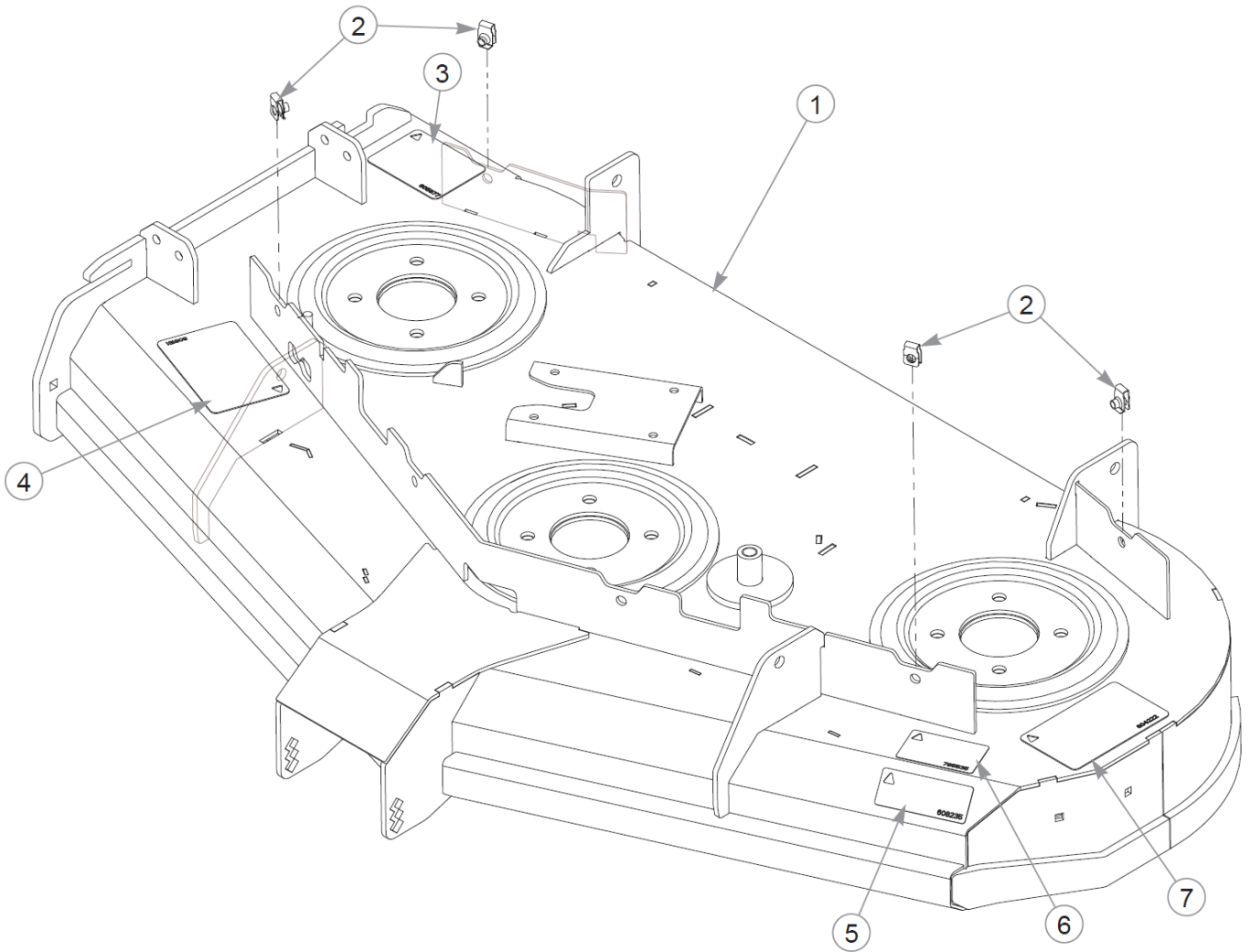


# Battery



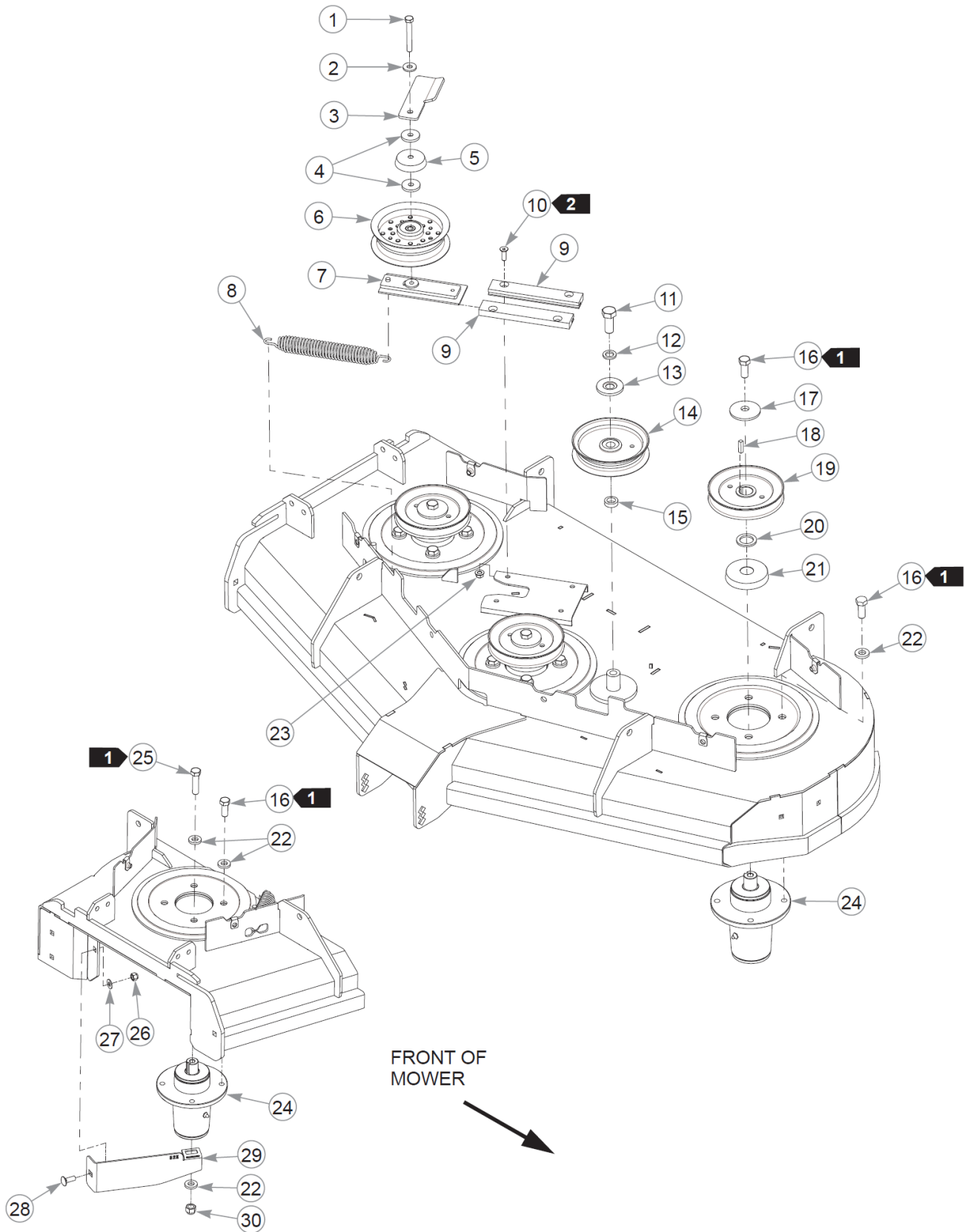
## Battery

Item	Part No.	Qty	Name
1	127199-1	1	COVER, BATTERY
2	768515	2	FW 0.281SAE
3	068551	2	NT .250-20 HXZY NL
4	127198-1	1	STRAP, BATTERY
5	016816	2	NT .250-20FLKG5
6	713198	2.5"	SEAL 3/8x3/4 SOLD BY FT
7	055939	2	CS .250-20X0.75 HX G5 ZN
8	029868	4	LW .250 INTEXT ZN
9	024927	2	NT .250-20HXG5
10	712927	2	FW 0.344X1.00X.12 HD ZN
11	794784	4	CB .250-20 X .75 FUL ZN
12	011320	2	CB .375-16X .750 STD ZN
13	555891	1	SVC, BATTERY BOX
14	601815	1	DECAL, BATTERY WARNINGS
15	016899	2	NT .375-16 FLKG5
16	000331	1	WIRE TIE, SMALL/SHORT



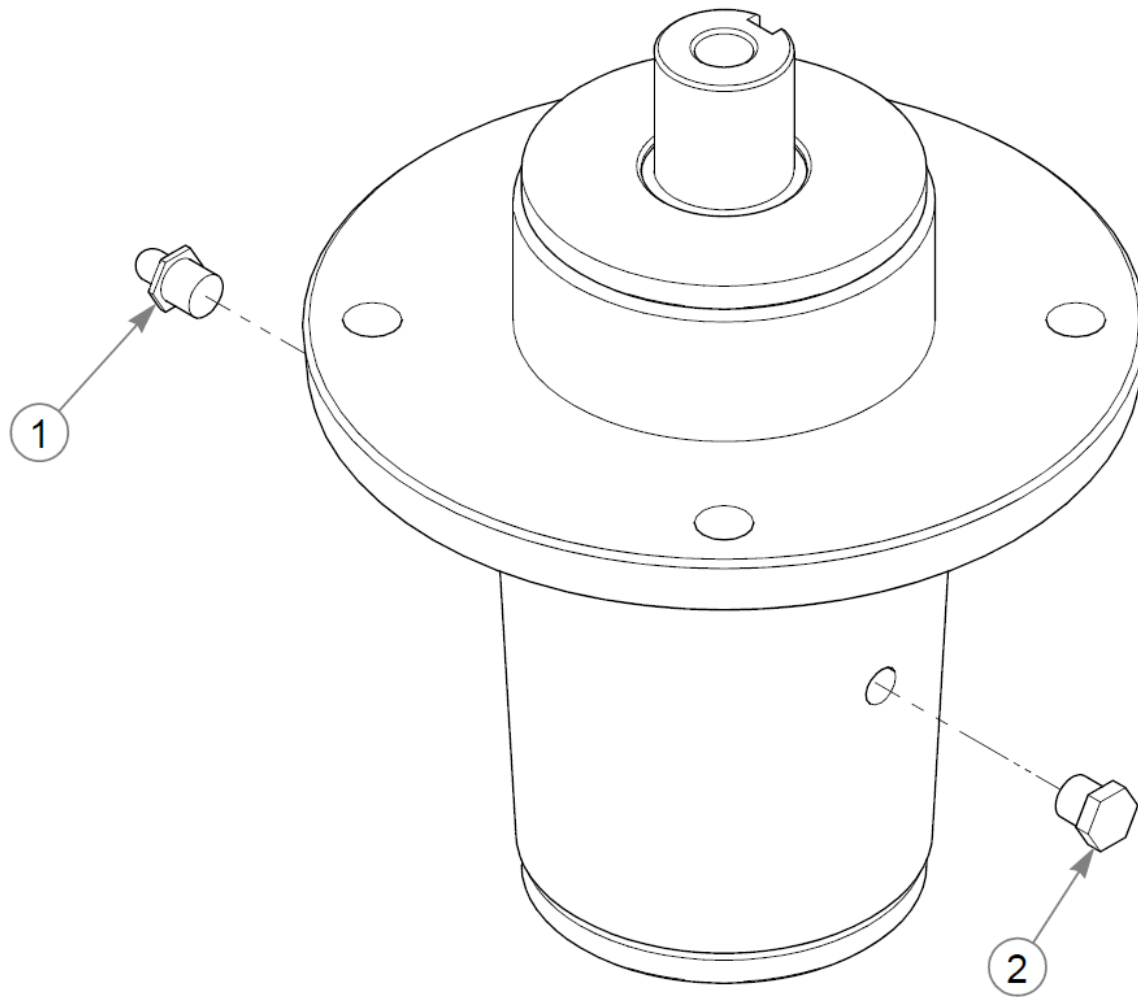
## Service Deck

Item	Part No.	Qty	Name
1	555584	1	SVC, DECK DECAL 52" SD
2	601069	4	CN .312-18x.200 MAX THK
3	605977	1	DECAL, BELT ROUTING
4	606151	1	DECAL, DANGER / CHUTE
5	608235	1	DECAL, VX
6	785535	1	DECAL, 52 DECK ID
7	604222	1	DECAL, DANGER / OBJECTS



## Deck Pulleys & Spindles

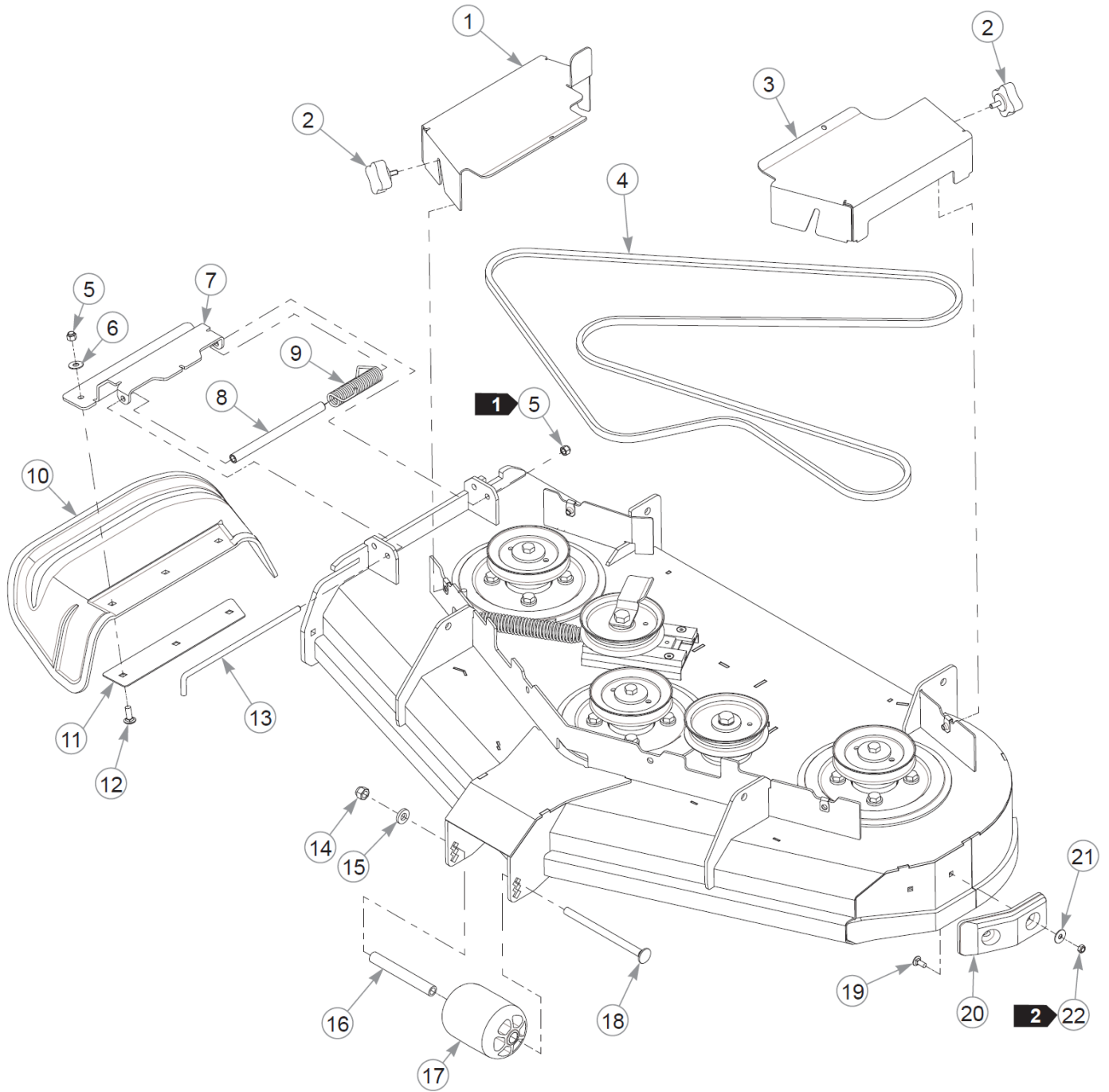
Item	Part No.	Qty	Name
1	705731	1	CS .375-16X2.750G5
2	712919	1	FW 0.406X1.00X.12 HD ZN
3	608298	1	GUIDE, BELT 5.00" PULLEY
4	608019	2	FW .399X 1.375X.188 HDZN
5	608299	1	DUST SHIELD, .390 I.D.
6	606385	1	PULLEY, 5" FLAT IDLER
7	126700	1	SLED, W/A
8	607616	1	SPRING, DECK IDLER
9	601619	2	IDLER SLIDE UHMW RT & LT
10	604086	4	CS .312-18X1.00 FLTSH ZN
11	794446	1	CS .625-11X1.500HXG5
12	028118	1	FW 0.625X1.00X.13 ZN
13	603057	1	DUST SHIELD W/OFFSET
14	781856	1	PULLEY, IDLER NHI 5.00"
15	600296	1	SPACER, DECK IDLER
16	705954	14	CS .500-13X1.25 HX G5 ZN
17	752386	3	CW .515X 2.25X .204 BLK
18	212472	3	KEY 1/4 SQ X 1.00 LG(FS)
19	798967	3	PULLEY, B-SEC 5.44 EOD
20	045765	3	FW 1.030X1.50X.13 HD ZN
21	607409-4	3	DUST SHIELD
22	767962	13	FW .531 x 1.063 x .175
23	608059	4	NT 0.312-18 FL NY G5
24	607407	3	SPINDLE ASSY, DUCTILE
25	078949	1	CS .500-13X2.000 FUL HX
26	086660	1	NT .375-16NLG8
27	767954	1	FW 0.379X.82X.06 HD ZN
28	025395	1	CB .375-16X 1.00 G5 ZN
29	126117-1	1	DIVERTOR, DISCHARGE, 52"
30	781567	1	NT .500-13NLG5



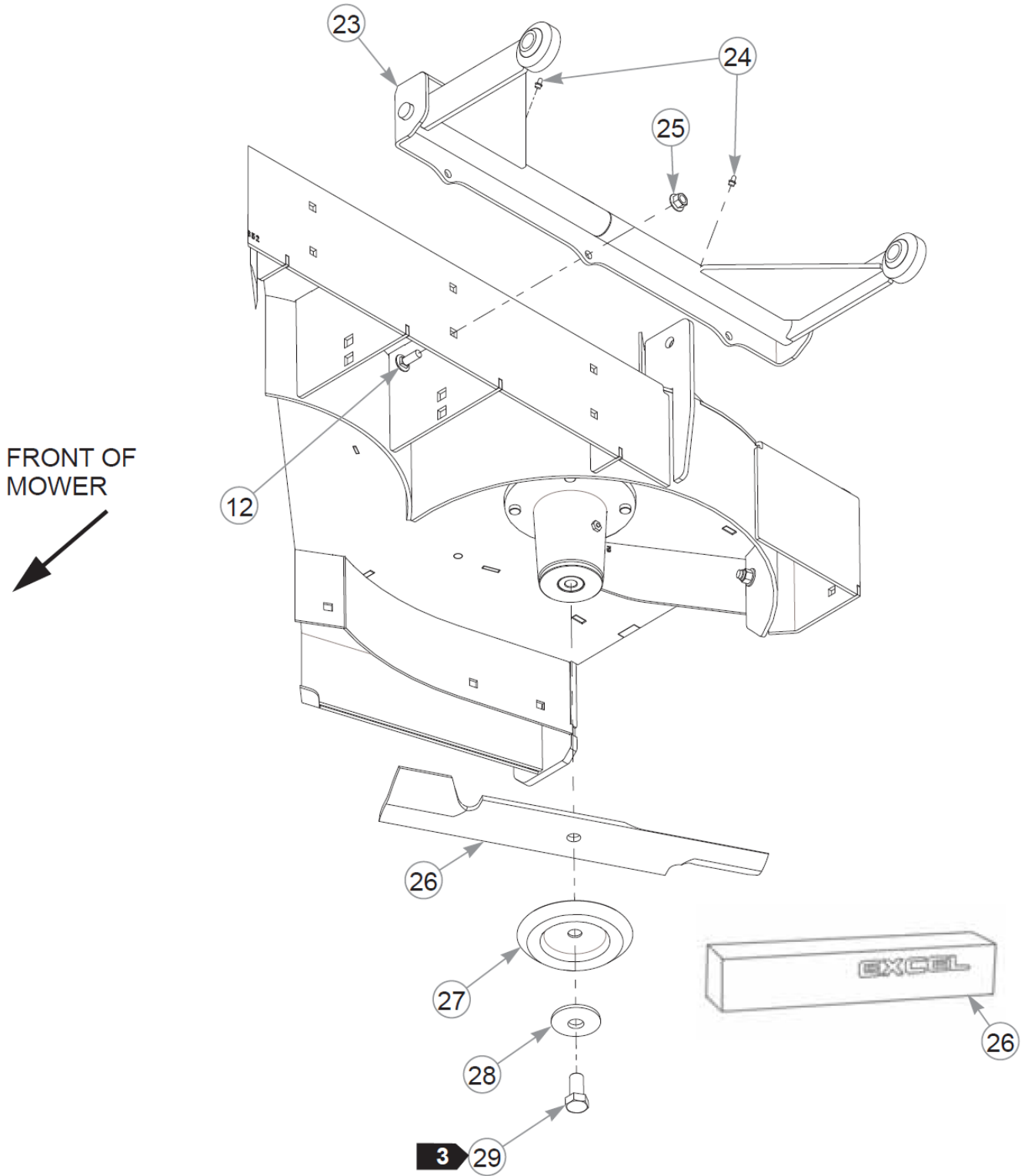
Spindle Assembly Service Parts - 607407

Item	Part No.	Qty	Name
1	607477	1	GREASE ZERK
2	607478	1	RELIEF FITTING

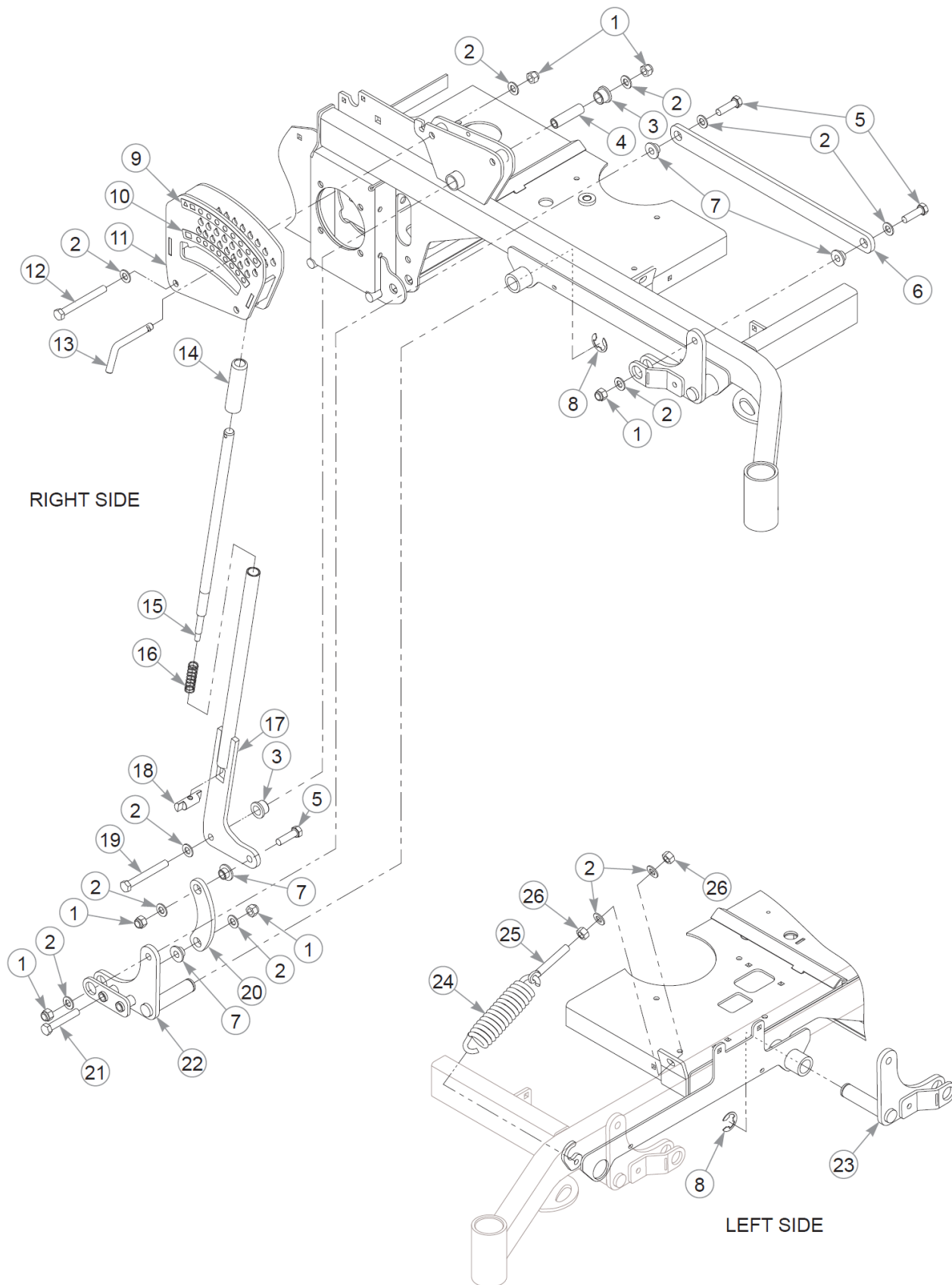




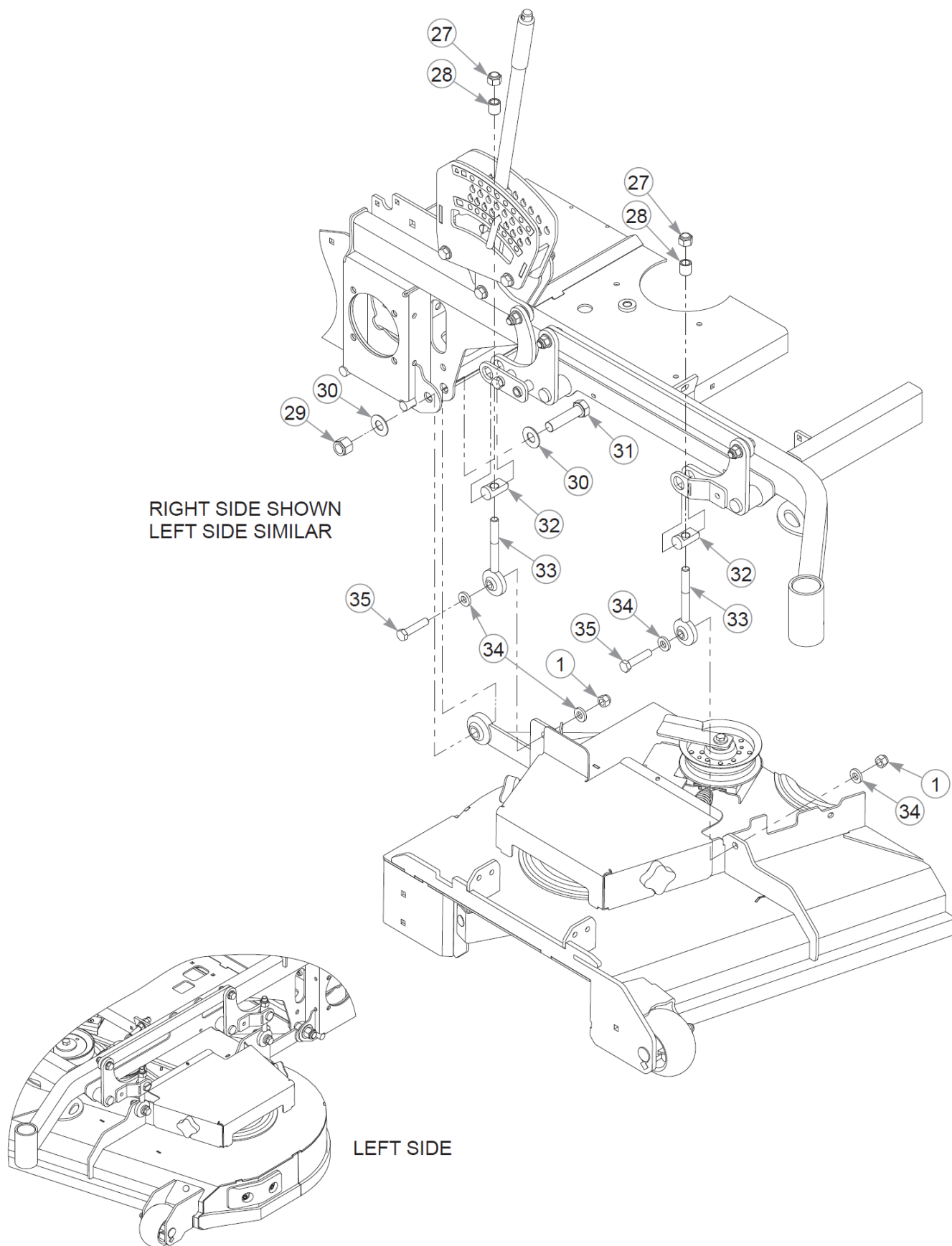
This page intentionally left blank



Item	Part No.	Qty	Name
1	126577-1	1	PULLEY COVER, RS 52"
2	792002	4	KNOB,5/16-18 X 3/4"MALE
3	126579-1	1	PULLEY COVER, LS 52"
4	786491	1	DECK BELT
5	086660	4	NT .375-16NLG8
6	076422	3	FW 0.406X1.00X.06 ZN
7	126218-1	1	BRACKET, DISCHARE CHUTE
8	606166	1	RETAINER, CHUTE SPRING
9	607787	1	SPRING, TORSION CHUTE
10	605916	1	DISCHARGE CHUTE
11	122148	1	BRKT, CHUTE BOTTOM
12	025395	9	CB .375-16X 1.00 G5 ZN
13	605936	1	PIN, CHUTE
14	781567	1	NT .500-13NLG5
15	767962	1	FW .531 x 1.063 x .175
16	602344	1	SPACER, ANTI- SCALP 5.73
17	602341	1	WHEEL, ANTI-SCALP
18	602338	1	CB .50-13 X 7.50 STD ZN
19	016253	2	CB .312-18X .750 FUL ZN
20	605376	1	DECK BUMPER
21	079210	2	FW 0.344X1.0X0.06 ZN
22	604251	2	NT .312-18 HXNL JAM G2ZN
23	608008	1	PUSHER W/A
24	015495	2	GREASE FITTING STRAIGHT
25	604515	6	NT .375-16 FL NY GF
26	607772	3	BLADE, 17.86" EHN-F-CW
Not Shown	607772X	1	10PK BLADE, 17.86" EHN-F
Not Shown	795526	3	BLADE, F17.86"-H-F-CW
Not Shown	795526X	1	10PK BLADE, F17.86"-H-F-
Not Shown	794198	3	BLADE,17.86"-MUL-F-CW
Not Shown	794198X	1	10PK BLADE, 17.86"-MUL-F
Not Shown	785436	3	BLADE,17.86"-GAT-F-CW
Not Shown	785436X	1	10PK BLADE, 17.86"-GAT-F
27	114988	3	SHIELD, BLADE BOLT
28	782474	3	CW .678 X 2.250 X .187
29	781872	3	CS .625-11X1.250HXG5



This page intentionally left blank



## Deck Lift &amp; Mounting Hardware (Multi-Page)

52" Super S Parts Manual - 940247 - HTSUPS052KAW850VEFIA

Item	Part No.	Qty	Name
1	781567	13	NT .500-13NLG5
2	004168	20	FW .531x1.00x.090 ZN
3	608000	2	BUSHING
4	608321	1	SLEEVE, PIVOT
5	017616	5	CS .500-13X1.750HXG5
6	127118-4	2	LINK, DECK LIFT
7	608319	6	BUSHING
8	608255	2	CLIP E, 1.50X.822X.050
9	608243	1	DECAL, UPR DECK HT
10	608244	1	DECAL, LWR DECK HT
11	555884	1	SVC, DECK HEIGHT W/A
12	068239	2	CS .500-13X4.500HXG5
13	604076	1	PIN, DECK HEIGHT STOP
14	608233	1	GRIP, DECK LIFT
15	608320	1	THUMB PLUNGER
16	601580	1	COMPRESSION SPRING
17	127122-4	1	HANDLE W/A
18	608062-4	1	DECK LIFT LATCH NUT
19	089938	1	CS .500-13X4.000HXG5
20	127119-4	1	LINK, DECK LEVER
21	736983	1	CS .500-13X3.000HXG5
22	127120-4	1	DECK CRANK W/A, RH
23	127121-4	1	DECK CRANK W/A, LH
24	606454	2	SPRING, EXT 7.0 300LB/IN
25	606478	2	EB, .500-13X3.00 FULTHD
26	008193	4	NT .500-13HXG5
27	606316	4	NT 0.563-18 NLGC
28	606292	4	DECK LEVEL SPACER
29	061101	2	NT .750-10 HX ZN NL GR B
30	025296	4	FW .760X1.63X0.08 ZN
31	051169	2	CS .750-10X3.000HXG5
32	607979	4	DECK LEVEL PIVOT
33	606290	4	W/A DECK LEVEL ROD END
34	767962	8	FW .531 x 1.063 x .175
35	761544	4	CS .500-13X2.250HXG8