

# Hustler® Parts Manual



**HUSTLER®**  
TURF EQUIPMENT

200 South Ridge Road

Hesston, Kansas

67062



#### NOTICE OF REQUIREMENT OF SPARK ARRESTER MUFFLER

This equipment may create sparks that can start fires around dry vegetation. California Public Resources Code Section 4442.6 provides that it is unlawful to use or operate an internal combustion engine on any forest-covered, brush-covered, or grass-covered land unless the engine is equipped with a spark arrester maintained in effective working order. A spark arrester is a device constructed of nonflammable materials specifically for the purpose of removing and retaining carbon and other flammable particles over 0.0232 of an inch in size from the exhaust flow of an internal combustion engine that uses hydrocarbon fuels or which is qualified and rated by the United States Forest Service. Other states or federal areas may have similar laws. The Operator Should Contact Local Fire Agencies For Laws or Regulations Relating to Fire Prevention Requirements. **THIS EQUIPMENT DOES NOT HAVE A SPARK ARRESTER AND YOU SHOULD CONTACT YOUR AUTHORIZED DEALER FOR THE PURCHASE OF A SPARK ARRESTER.**

Inspect spark arrester daily; replace every 500 hours or as needed.

The Engine Owner's Manual provides information regarding the U.S. Environmental Protection Agency (EPA) and the California Emission Control Regulation of emission systems, maintenance and warranty.

Keep Engine Owner's Manual with your unit. Should the Engine Owner's Manual become damaged or illegible, replace immediately. Replacements may be ordered per the information found in the Product Information section of the owner's manual.

Federal law and California State law prohibit the following acts or the causing thereof:

1. The removal or rendering inoperative by any person other than for purposes of maintenance, repair, replacement, of any device or element of design incorporated into any equipment for the purposes of emissions control prior to or after its sales or delivery to the ultimate purchaser or while it is in use, or
2. The use of the equipment after such device or element of design has been removed or rendered inoperative by any person.

|   |     |
|---|-----|
| General Information .....   | 1   |
| <b>Frame, Foot Platform &amp; Tower Pad</b>                           |     |
| Frame .....   | 3-1 |
| Operator Platform & Tower Pad (Multi-Page) .....                      | 3-2 |
| <b>Hydraulic System, Drive Belt, Clutch, Steering &amp; Brake</b>     |     |
| Hydraulic System & Hydraulic Filter (Multi-Page) .....                | 4-1 |
| Left Pump Assembly .....  | 4-2 |
| Right Pump Assembly .....   | 4-3 |
| Hydraulic Pump Service Parts .....                                    | 4-4 |
| Wheel Motor Assembly .....  | 4-5 |
| Pump Drive, Drive Belt & Clutch .....                                 | 4-6 |
| Steering (Multi-Page) .....   | 4-7 |
| Brake .....   | 4-8 |
| <b>Wheels, Tires &amp; Fenders</b>                                    |     |
| Wheels & Tires .....  | 5-1 |
| Front Wheel Assembly .....  | 5-2 |
| Drive Wheel Assembly .....  | 5-3 |
| <b>Engine, Muffler &amp; Fuel System</b>                              |     |
| Engine & Muffler (Multi-Page) .....                                   | 6-1 |
| Engine Service Parts - FX691V .....                                   | 6-2 |
| Fuel System .....   | 6-3 |
| Fuel Tank Service Parts - 605908 .....                                | 6-4 |
| <b>Instrument Panel, Wire Harness &amp; Battery</b>                   |     |
| Instrument Panel & Wire Harness .....                                 | 7-1 |
| Battery .....   | 7-2 |
| <b>Deck, Deck Belt, Blades, Deck Lift &amp; Mounting</b>              |     |
| Service Deck .....  | 8-1 |
| Deck Pulleys & Spindles .....   | 8-2 |
| Deck Belt, Discharge Chute, Pulley Covers & Blades (Multi-Page) ..... | 8-3 |
| Spindle Assembly Service Parts - 607407 .....                         | 8-4 |
| Deck Lift & Mounting Hardware (Multi-Page) .....                      | 8-5 |



---

# General Information

*Note:* When ordering parts, you must use the part number as shown for each part, not the index number. Always give the model and serial number to your parts and service representative.

*Note:* Items sold in bulk such as seals and hoses are sold by the foot.

---

## **Using This Manual**

This manual is part of a service package for the Hustler® mowers. Use of this manual in conjunction with other Hustler® mower and component manuals will provide the information necessary to service and maintain Hustler® mowers.

This Parts Manual provides a complete parts listing for the unit. Use this manual when ordering parts. Illustrations used were current at the time of printing, but subsequent production changes may cause your machine to vary slightly in detail. Excel Industries, Inc. reserves the right to redesign and change the machine as deemed necessary, without notification. If a change has been made to your machine which is not reflected in this parts manual, see your authorized dealer for current information and parts.

The Service Manual is a service guide for use by Service Technicians. It provides the necessary information needed to perform normal maintenance requirements on these units.

The Operator's Manual provides fundamental operational information and operational safety that is needed when operating the mower.

The component manuals are furnished by the various manufacturers to be used for the troubleshooting and servicing of their products.

## **Hardware Description Codes & Abbreviations**

The following codes are used throughout this parts manual. Refer to this list when ordering parts.

| ABBREVIATION | DESCRIPTION   | ABBREVIATION | DESCRIPTION            |
|--------------|---------------|--------------|------------------------|
| CB           | CARRIAGE BOLT | MB           | MACHINE BUSHING        |
| CE           | CLEVIS PIN    | MS           | MACHINE SCREW          |
| CN           | CLIP NUT      | NT           | NUT                    |
| CP           | COTTER PIN    | SC           | SELF TAPPING CAP SCREW |
| CS           | CAP SCREW     | SH           | SOCKET HEAD            |
| CW           | CUP WASHER    | SB           | SHOULDER BOLT          |
| FDRW         | FENDER WASHER | SS           | SET SCREW              |
| FW           | FLAT WASHER   | OD           | OUTSIDE DIAMETER       |
| HX           | HEX HEAD      | ID           | INSIDE DIAMETER        |
| LW           | LOCK WASHER   | WN           | WELD NUT               |

---

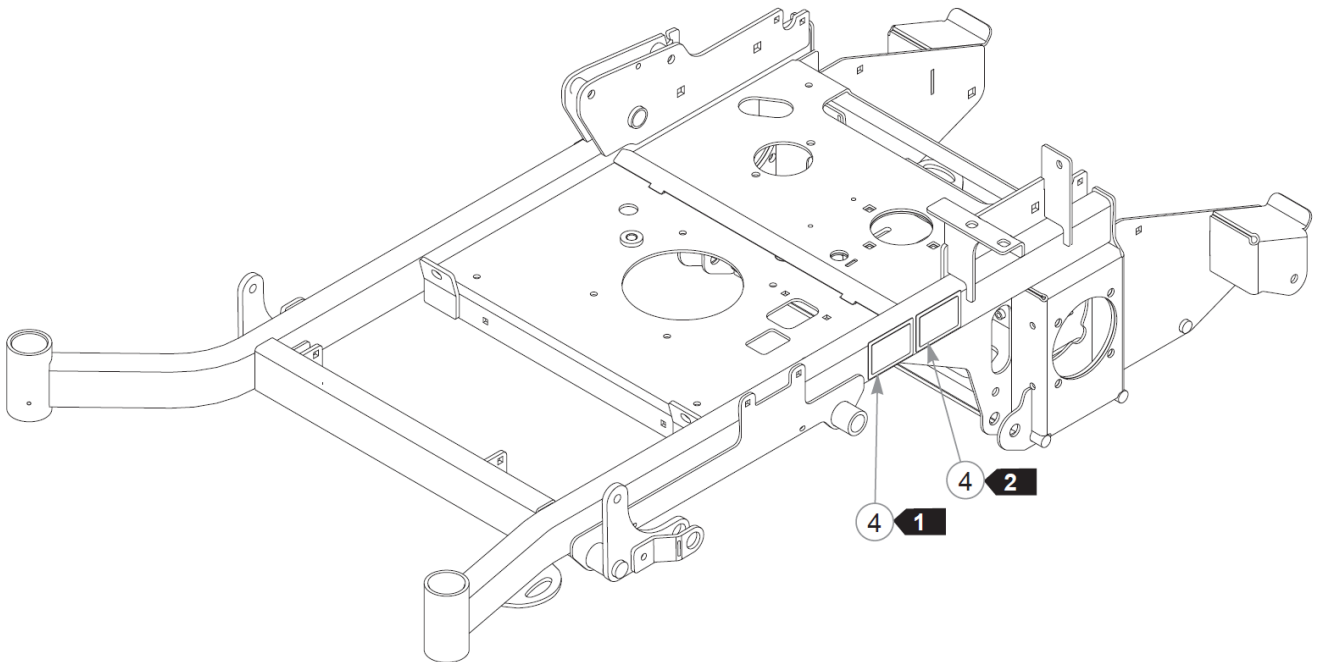
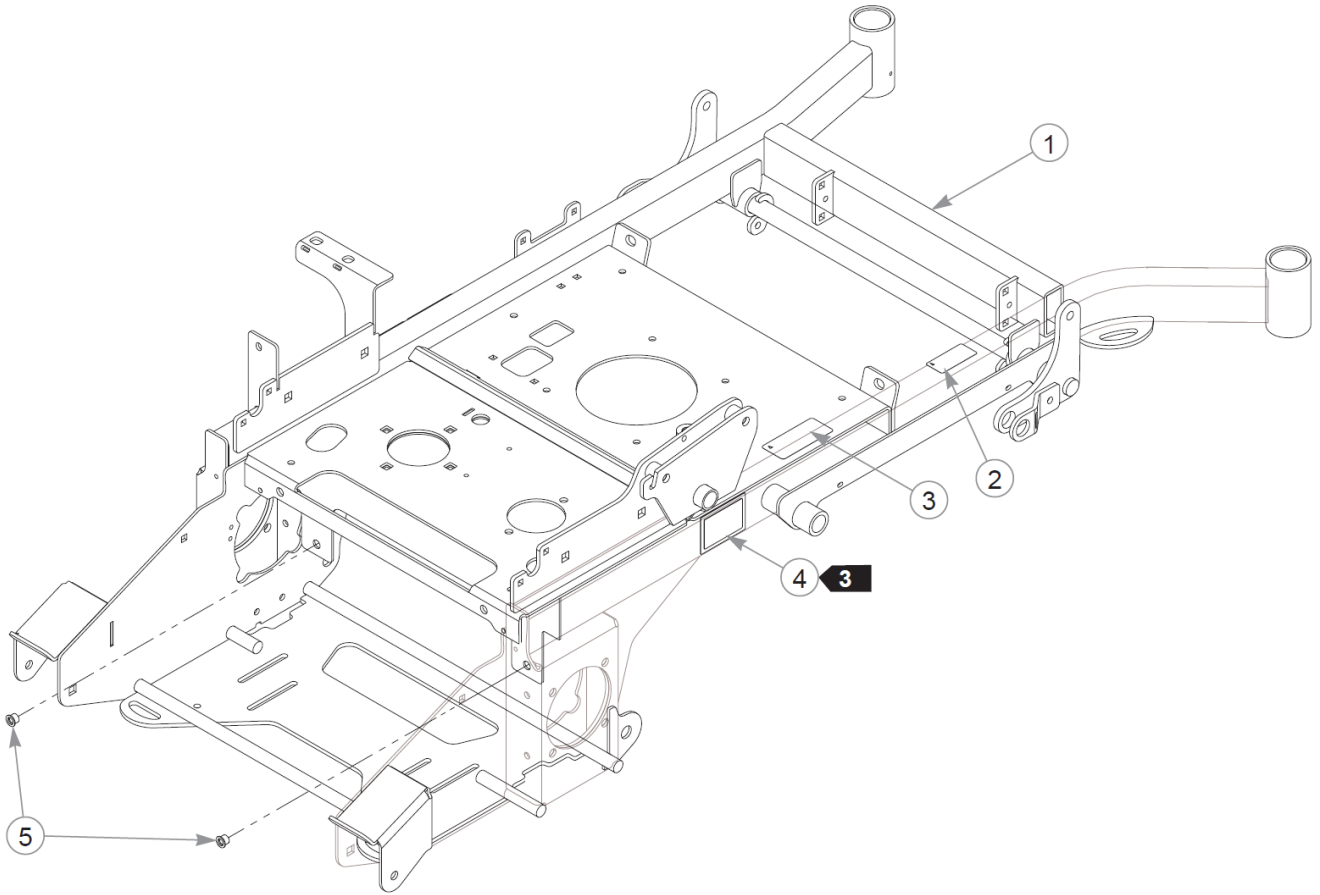
## **Standard Torques**

The following chart lists the standard torque values for the threaded fasteners found in this manual. Torque all cap screws, nuts and set screws to these values unless a different torque is shown in the Notes section next to the fastener.

| SIZE | FT-LBS | N•M  | SIZE | FT-LBS | N•M   |
|------|--------|------|------|--------|-------|
| .250 | 8.2    | 11.1 | M3   | 1      | 1.3   |
| .312 | 17     | 23   | M4   | 2.2    | 3     |
| .375 | 30     | 40   | M5   | 4.5    | 6.1   |
| .438 | 48     | 65   | M6   | 7.7    | 10.4  |
| .500 | 73     | 99   | M8   | 18.5   | 25    |
| .562 | 105    | 143  | M10  | 37     | 50    |
| .625 | 145    | 200  | M12  | 64     | 87    |
| .750 | 260    | 350  | M14  | 80     | 108.5 |
| .875 | 420    | 565  | M16  | 160    | 215   |
| 1.00 | 625    | 850  | M20  | 320    | 435   |
|      |        |      | M24  | 555    | 750   |

---

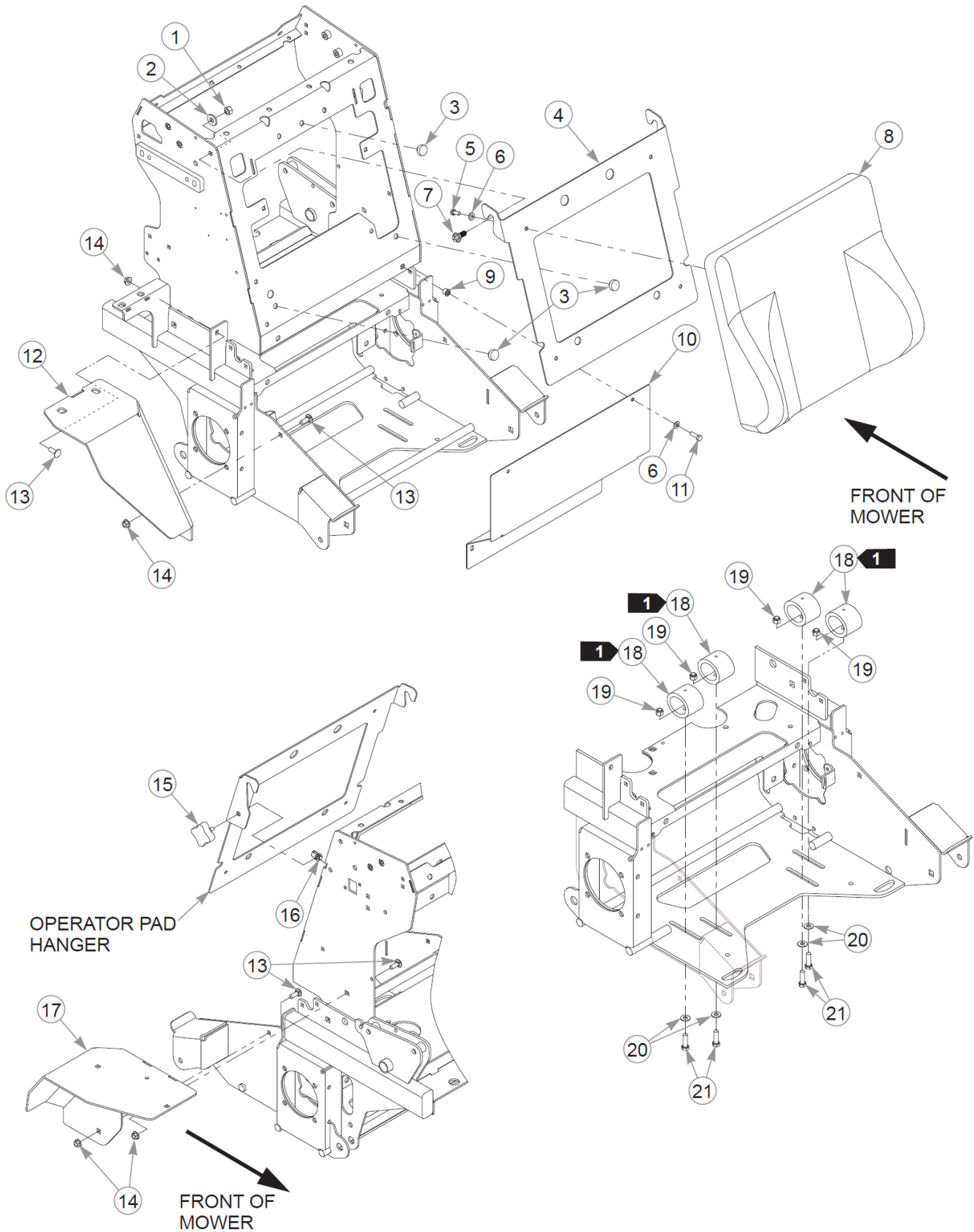
This page intentionally left blank



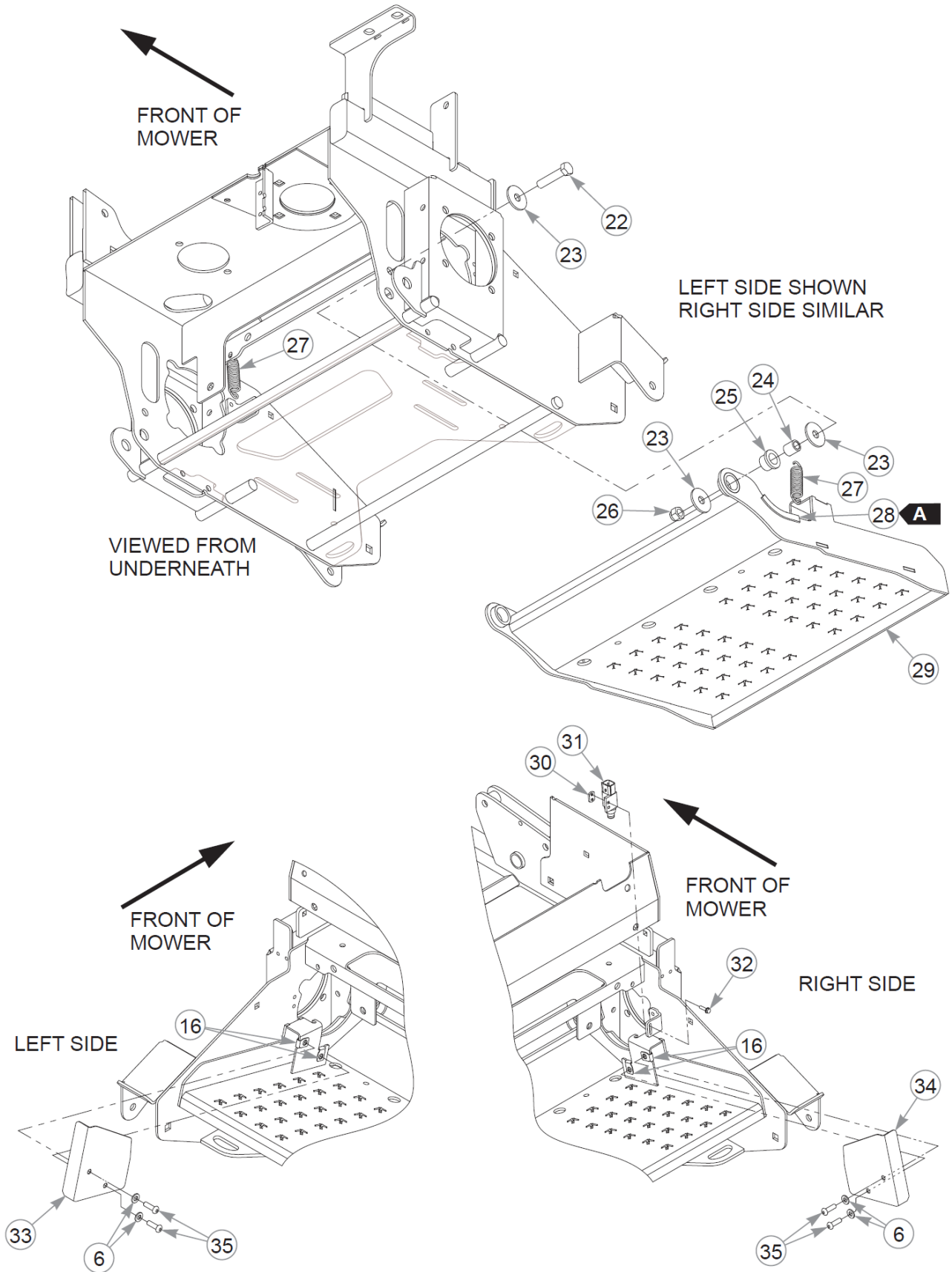
## Frame

| Item | Part No. | Qty | Name                        |
|------|----------|-----|-----------------------------|
| 1    | 555875   | 1   | SVC FRAME                   |
| 2    | 602041   | 1   | DECAL, HOT                  |
| 3    | 606323   | 1   | DECAL, ENGINE PLATE         |
| 4    | 083279   | 3   | SERIAL NUMBER / SPEC. DECAL |
| 5    | 808485   | 2   | RIVET NUT, 5/16-18 THRE     |

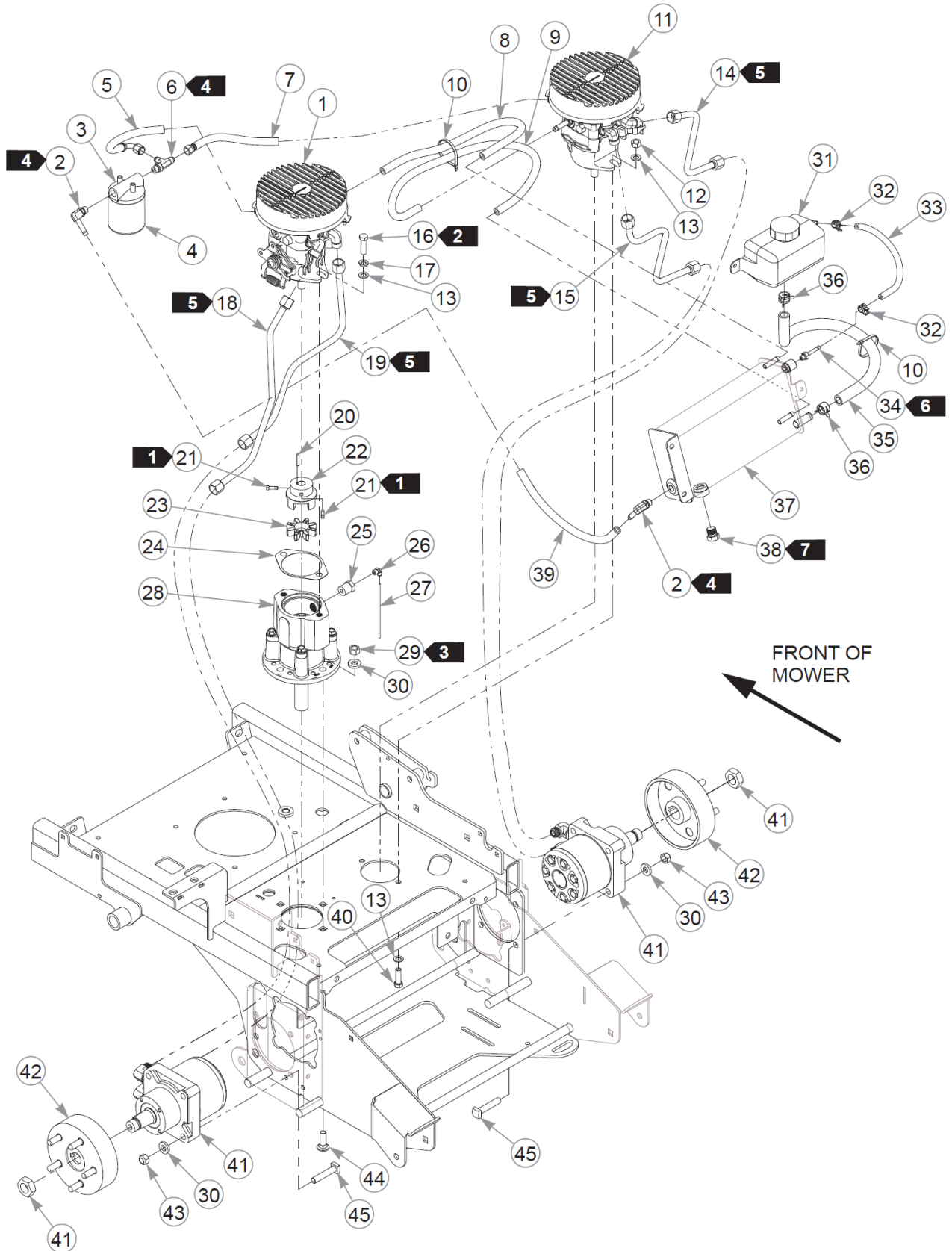




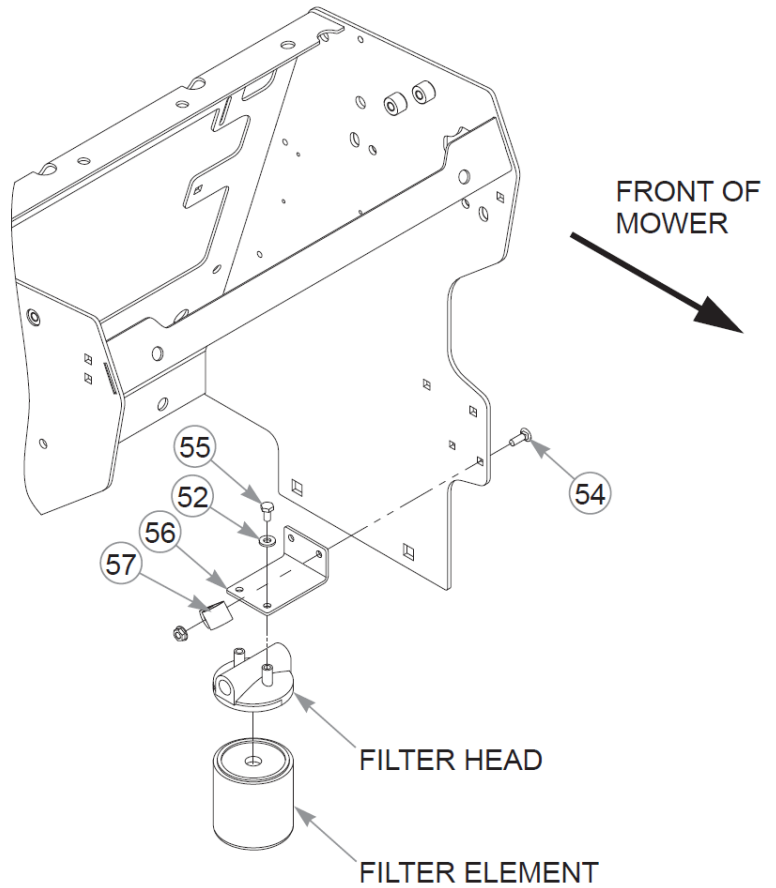
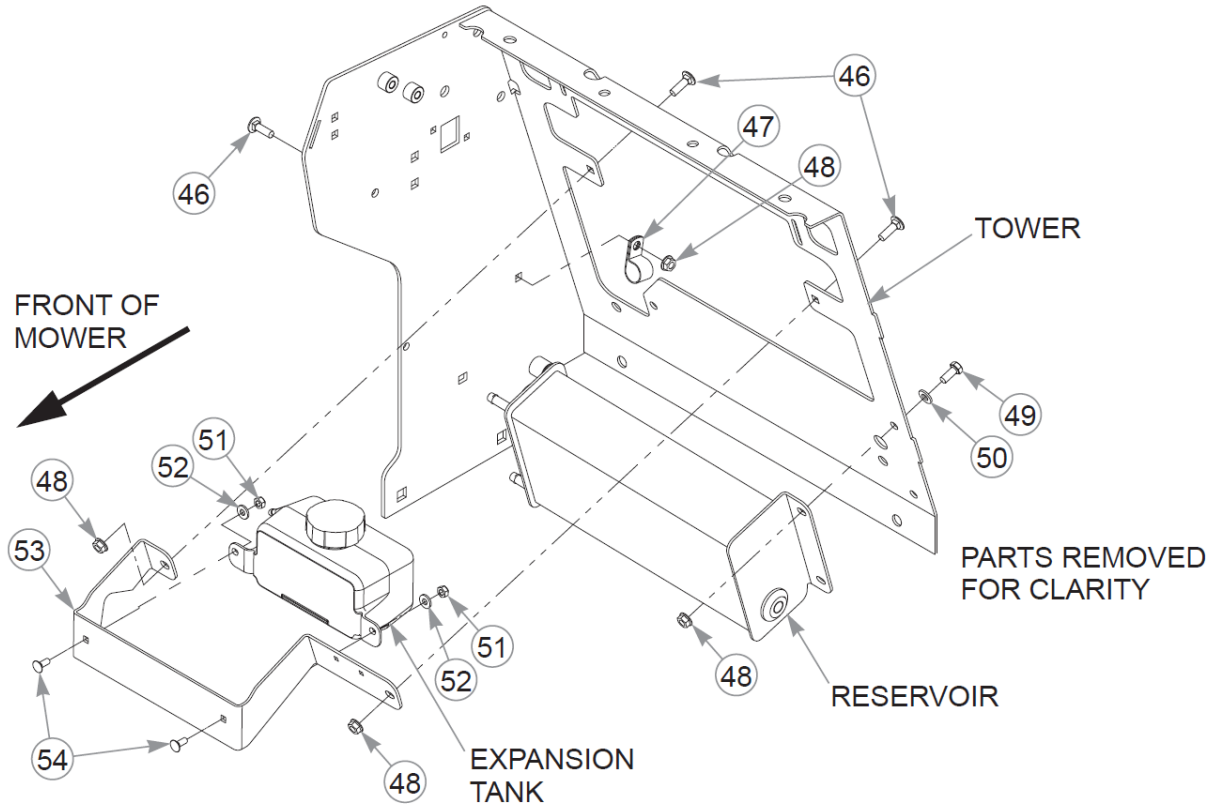
This page intentionally left blank



| Item | Part No. | Qty | Name                     |
|------|----------|-----|--------------------------|
| 1    | 704635   | 2   | NT .437-20HXG5           |
| 2    | 602680   | 2   | FW .453X1.12X.12 HRD ZN  |
| 3    | 781880   | 3   | BUMPER, .500x 1.00x .31  |
| 4    | 127214-1 | 1   | HANGER, OPERATOR PAD     |
| 5    | 034280   | 4   | CS .312-18X0.750HXG5     |
| 6    | 768523   | 12  | FW 0.343SAE              |
| 7    | 201663   | 2   | SB .563 X .295HX .437-20 |
| 8    | 608258   | 1   | OPERATOR PAD             |
| 9    | 808485   | 2   | RIVET NUT, 5/16-18 THRE  |
| 10   | 127215-1 | 1   | KICK PLATE               |
| 11   | 036236   | 4   | CS .312-18X1.000HXG5     |
| 12   | 127222-1 | 1   | FENDER W/A, LH           |
| 13   | 025395   | 4   | CB .375-16X 1.00 G5 ZN   |
| 14   | 016899   | 4   | NT .375-16 FLKG5         |
| 15   | 792002   | 1   | KNOB,5/16-18 X 3/4"MALE  |
| 16   | 601069   | 5   | CN .312-18x.200 MAX THK  |
| 17   | 127223-1 | 1   | FENDER W/A, RH           |
| 18   | 608252   | 4   | BUMPER                   |
| 19   | 086660   | 4   | NT .375-16NLG8           |
| 20   | 767954   | 4   | FW 0.379X.82X.06 HD ZN   |
| 21   | 052860   | 4   | CS .375-16X1.25 HX G5 ZN |
| 22   | 761544   | 2   | CS .500-13X2.250HXG8     |
| 23   | 798603   | 6   | FW .515X1.65X.12 HD ZN   |
| 24   | 122241   | 2   | FLOOR PAN PIVOT          |
| 25   | 608000   | 2   | BUSHING                  |
| 26   | 781567   | 2   | NT .500-13NLG5           |
| 27   | 608352   | 2   | SPRING, EXTENSION        |
| 28   | 033001   | 6"  | FLEXIBLE TRIM UNI-GRIP   |
| 29   | 127123-1 | 1   | W/A, PLATFORM            |
| 30   | 601822   | 1   | NUT PLATE, .420 CENTERS  |
| 31   | 602538   | 1   | SWITCH PLUNGER, NC/NO    |
| 32   | 063198   | 2   | CS #10-24X0.750FLKG5     |
| 33   | 127216-1 | 1   | MOTOR SHIELD, LH         |
| 34   | 127217-1 | 1   | MOTOR SHIELD, RH         |
| 35   | 602231   | 4   | CS .312-18X1.00 BTNHD ZN |



This page intentionally left blank



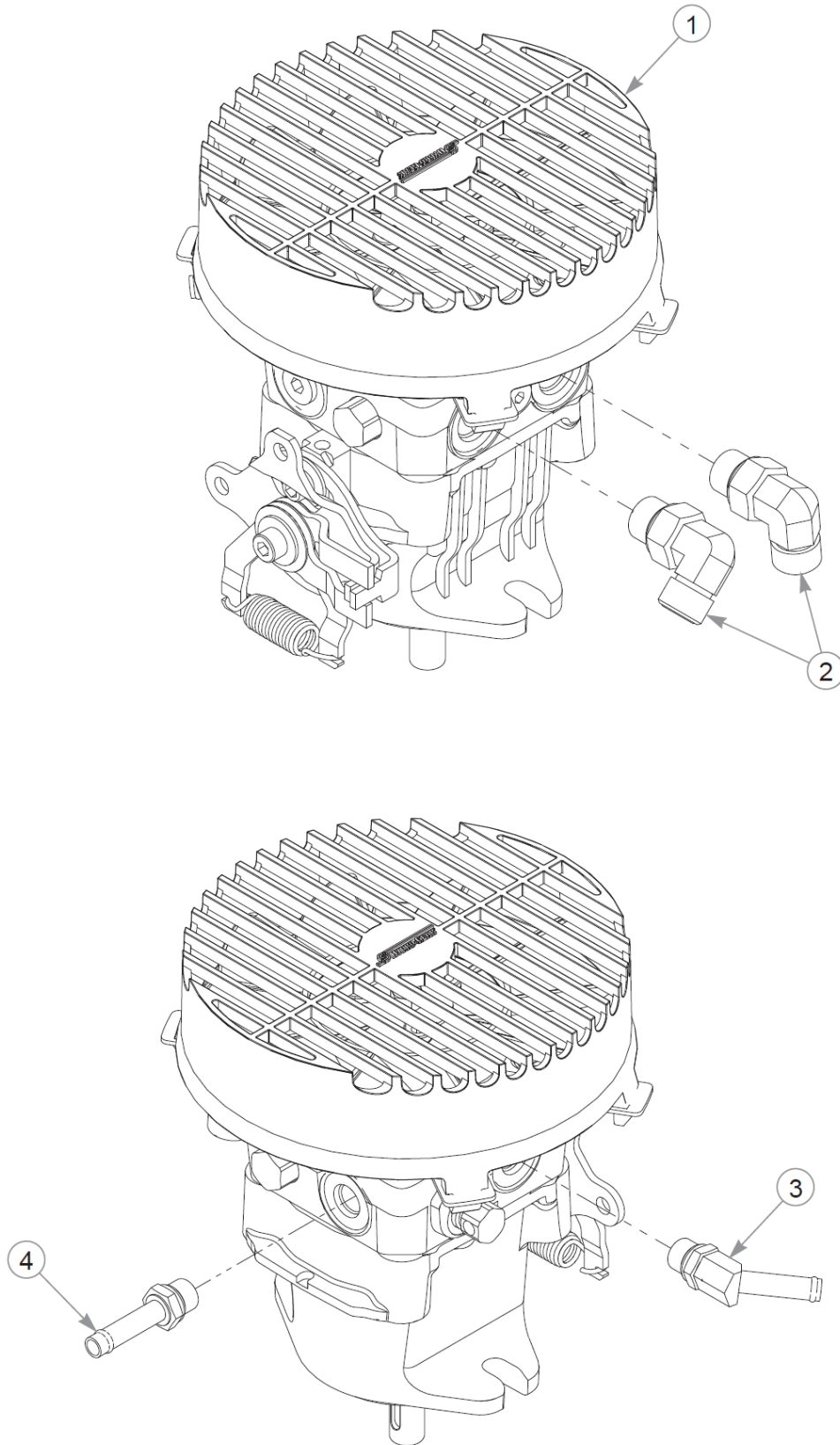
| Item | Part No. | Qty | Name                           |
|------|----------|-----|--------------------------------|
| 1    | N/A      | 1   | REFER TO "LEFT PUMP ASSEMBLY"  |
| 2    | 787465   | 2   | FTG, 90°-6MORB/-6BT            |
| 3    | 768333   | 1   | FILTER HEAD ZINGA BF SE        |
| 4    | 768341   | 1   | HYDRAULIC OIL FILTER           |
| 5    | 608082   | 1   | LH PUMP SUCTION HOSE           |
| 6    | 763953   | 1   | FTG T,-6 O-RING/-6J            |
| 7    | 608083   | 1   | RH PUMP SUCTION HOSE           |
| 8    | 608072   | 1   | HOSE, LEFT CASE DRAIN          |
| 9    | 608073   | 1   | HOSE, RIGHT CASE DRAIN         |
| 10   | 000331   | 2   | WIRE TIE, SMALL/SHORT          |
| 11   | N/A      | 1   | REFER TO "RIGHT PUMP ASSEMBLY" |
| 12   | 041707   | 2   | NT .437-14HXG5                 |
| 13   | 704742   | 6   | FW 0.453X.81X.06 ZN            |
| 14   | 608004   | 1   | TUBE, RP-TM                    |
| 15   | 608003   | 1   | TUBE, LP-BM                    |
| 16   | 606200   | 2   | CS .437-20X1.50 HXG5           |
| 17   | 606176   | 2   | LW .437 MED ZC                 |
| 18   | 608001   | 1   | TUBE, LP-TM                    |
| 19   | 608002   | 1   | TUBE, RP-BM                    |
| 20   | 768127   | 1   | KEY 5mm x30mm RADIUS EN        |
| 21   | 606263   | 2   | SS .250-20 X .750 SQ           |
| 22   | 606184   | 1   | PUMPSIDE COUPLING              |
| 23   | 605980   | 1   | LH100 SPIDER 92A YELLOW        |
| 24   | 606266   | 1   | JACKSHAFT GASKET               |
| 25   | 606327   | 1   | FTG, 1/2X1/8 PTR-S VIBRA       |
| 26   | 606267   | 1   | FTG, W369PLP-2-2 NPT           |
| 27   | 606353   | 1   | NYLON TUBE, 1/8"               |
| 28   | 606183   | 1   | JACKSHAFT ASSEMBLY             |
| 29   | 008193   | 4   | NT .500-13HXG5                 |
| 30   | 767962   | 12  | FW .531 x 1.063 x .175         |
| 31   | 608057   | 1   | 1L EXPANSION TANK              |
| 32   | 000323   | 2   | CLIP, HOSE CLAMP               |
| 33   | 608074   | 1   | HOSE, VENT                     |
| 34   | 608232   | 1   | FTG, -4ORB -4BT                |
| 35   | 608071   | 1   | HOSE, FILL                     |
| 36   | 608291   | 2   | CLAMP, -10 CONS TEN            |



This page intentionally left blank

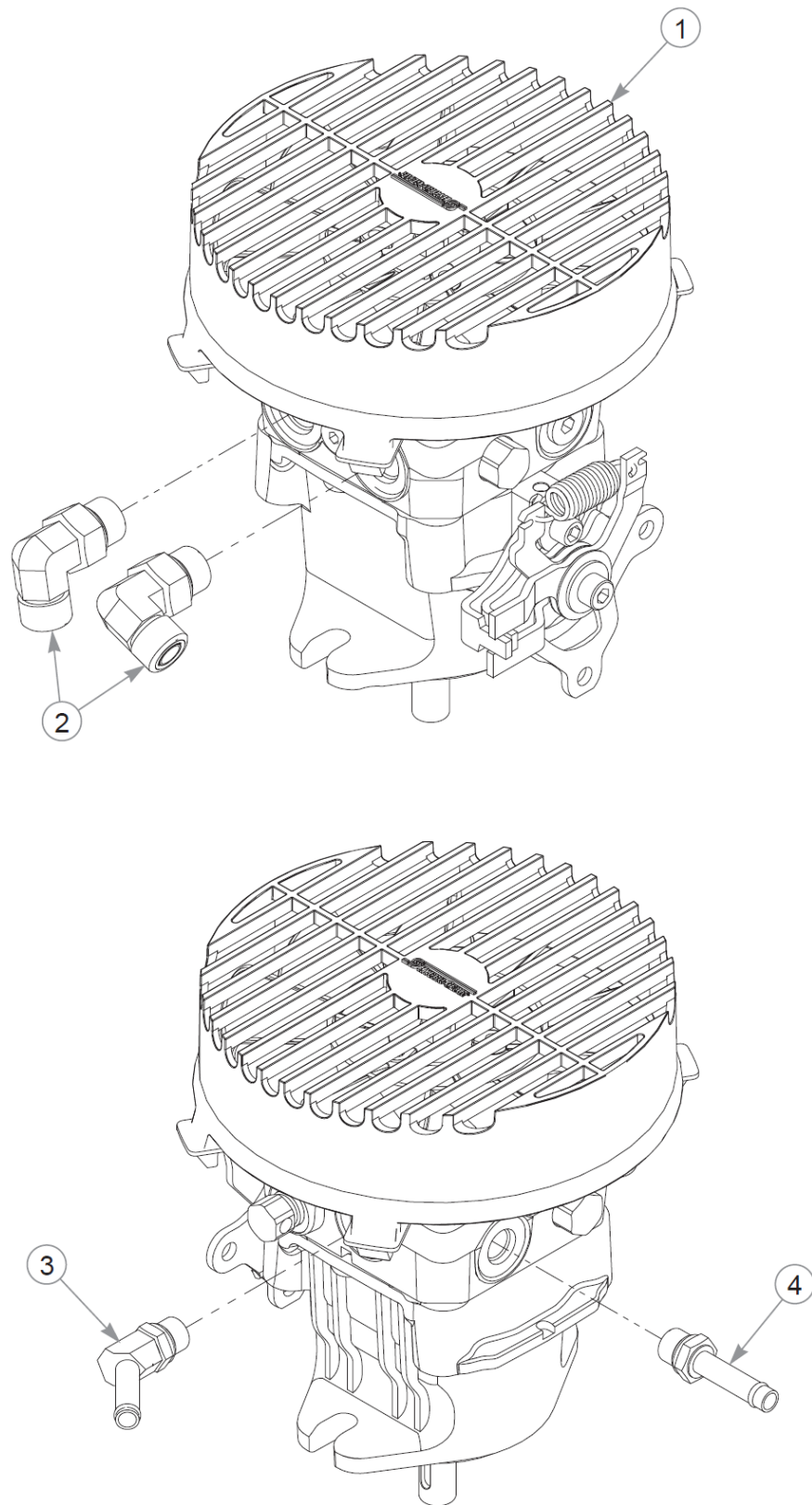
| Item | Part No. | Qty | Name                      |
|------|----------|-----|---------------------------|
| 37   | 608065   | 1   | RESERVOIR W/A             |
| 38   | 781658   | 1   | FTG, -8MORB/HEX PLUG      |
| 39   | 608081   | 1   | HOSE, SUPPLY              |
| 40   | 705186   | 2   | CS .437-14X1.375HXG5      |
| 41   | N/A      | 2   | REFER TO "MOTOR ASSEMBLY" |
| 42   | 602384   | 2   | HUB ASSY, PARKER          |
| 43   | 023317   | 8   | NT .500-13UNTG8           |
| 44   | 028274   | 4   | CB .500-13X 1.500 FULL    |
| 45   | 602256   | 8   | CS .500-13X2.500 SQ G5    |
| 46   | 037887   | 3   | CB .312-18X 1.000 FUL ZN  |
| 47   | 043570   | 1   | CLIP - HOSE - SINGLE(FS)  |
| 48   | 016832   | 6   | NT .312-18FLKG5           |
| 49   | 034280   | 3   | CS .312-18X0.750HXG5      |
| 50   | 768523   | 3   | FW 0.343SAE               |
| 51   | 068551   | 2   | NT .250-20 HXZY NL        |
| 52   | 768515   | 4   | FW 0.281SAE               |
| 53   | 126960-1 | 1   | EXPANSION MOUNT           |
| 54   | 794784   | 4   | CB .250-20 X .75 FUL ZN   |
| 55   | 055947   | 2   | CS .250-20X0.50 HX G5 ZN  |
| 56   | 122481   | 1   | BRACKET, OIL FILTER       |
| 57   | 016816   | 2   | NT .250-20FLKG5           |

Left Pump Assembly



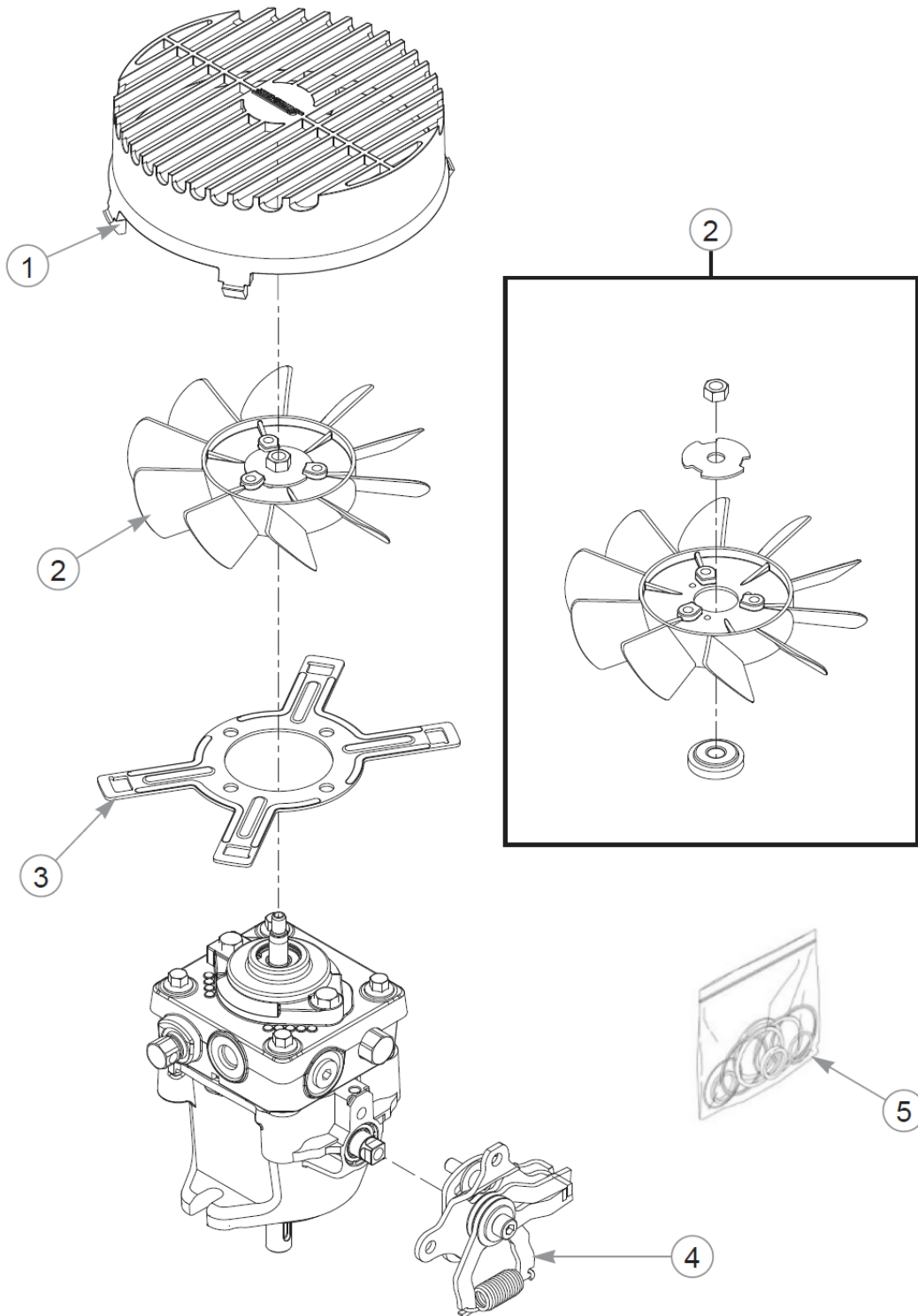
## Left Pump Assembly

| Item | Part No. | Qty | Name                    |
|------|----------|-----|-------------------------|
| 1    | 606058   | 1   | PUMP, H-G 12CC W/FAN-HH |
| 2    | 781542   | 2   | FTG, 90°-8MORB/-8MORFS  |
| 3    | 784108   | 1   | FTG, 45°-6MORB/-6BT     |
| 4    | 787473   | 1   | FTG, -6MORB/-6 BEAD     |



## Right Pump Assembly

| Item | Part No. | Qty | Name                    |
|------|----------|-----|-------------------------|
| 1    | 606057   | 1   | PUMP, H-G 12CC W/FAN-HH |
| 2    | 781542   | 2   | FTG, 90°-8MORB/-8MORFS  |
| 3    | 784108   | 1   | FTG, 45°-6MORB/-6BT     |
| 4    | 787473   | 1   | FTG, -6MORB/-6 BEAD     |

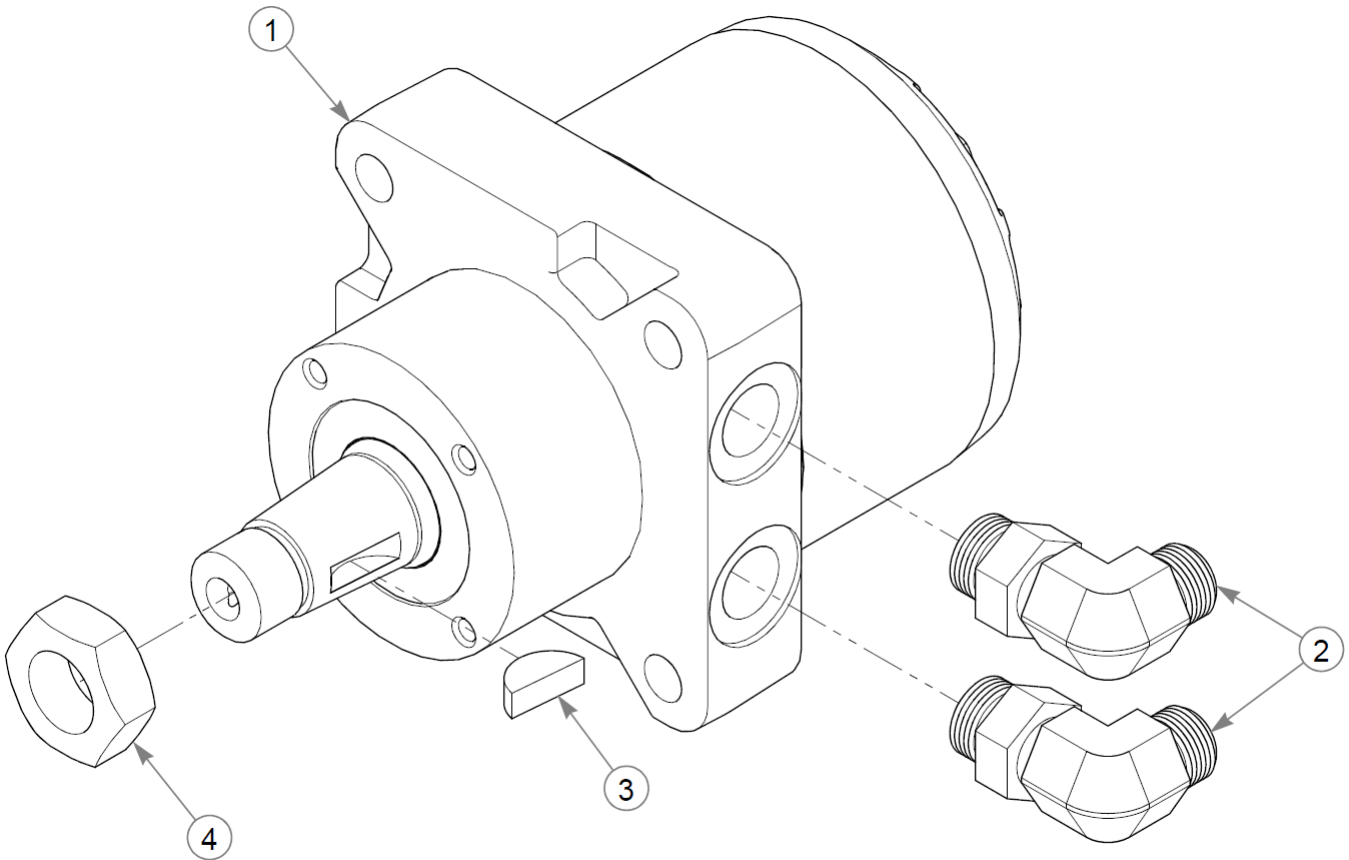


## Hydraulic Pump Service Parts

48" Super S Parts Manual - 940213 - HTSUPS048KAWFX691VA

| Item | Part No. | Qty | Name                  |
|------|----------|-----|-----------------------|
| 1    | 606348   | 1   | FAN SHROUD, 7"        |
| 2    | 606347   | 1   | FAN KIT, 7"           |
| 3    | 606349   | 1   | FAN MOUNT             |
| 4    | 606350   | 1   | KIT, RTN, STD SCISSOR |
| 5    | 780718   | 1   | SEAL KIT, PG/PJ PUMPS |

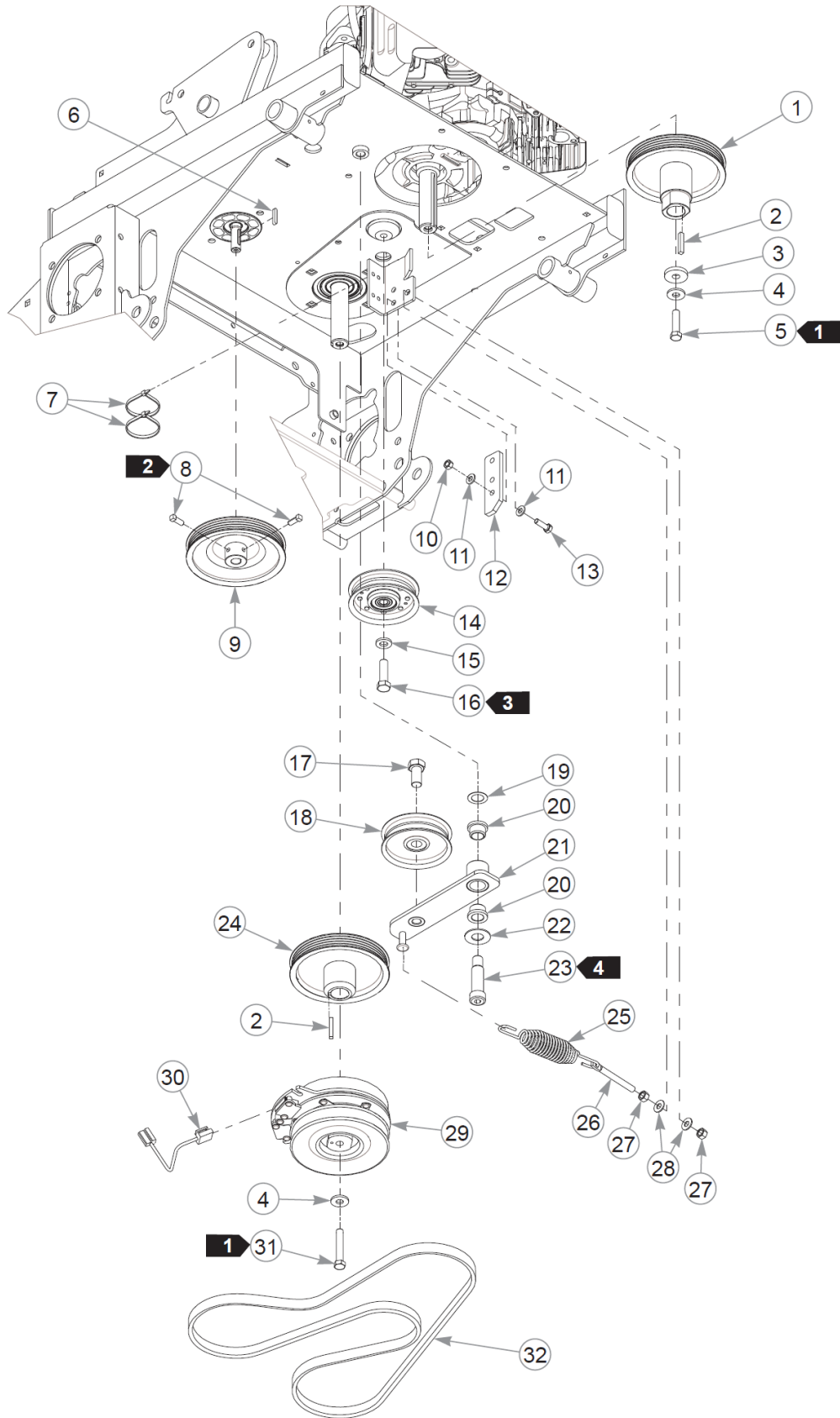




## Wheel Motor Assembly

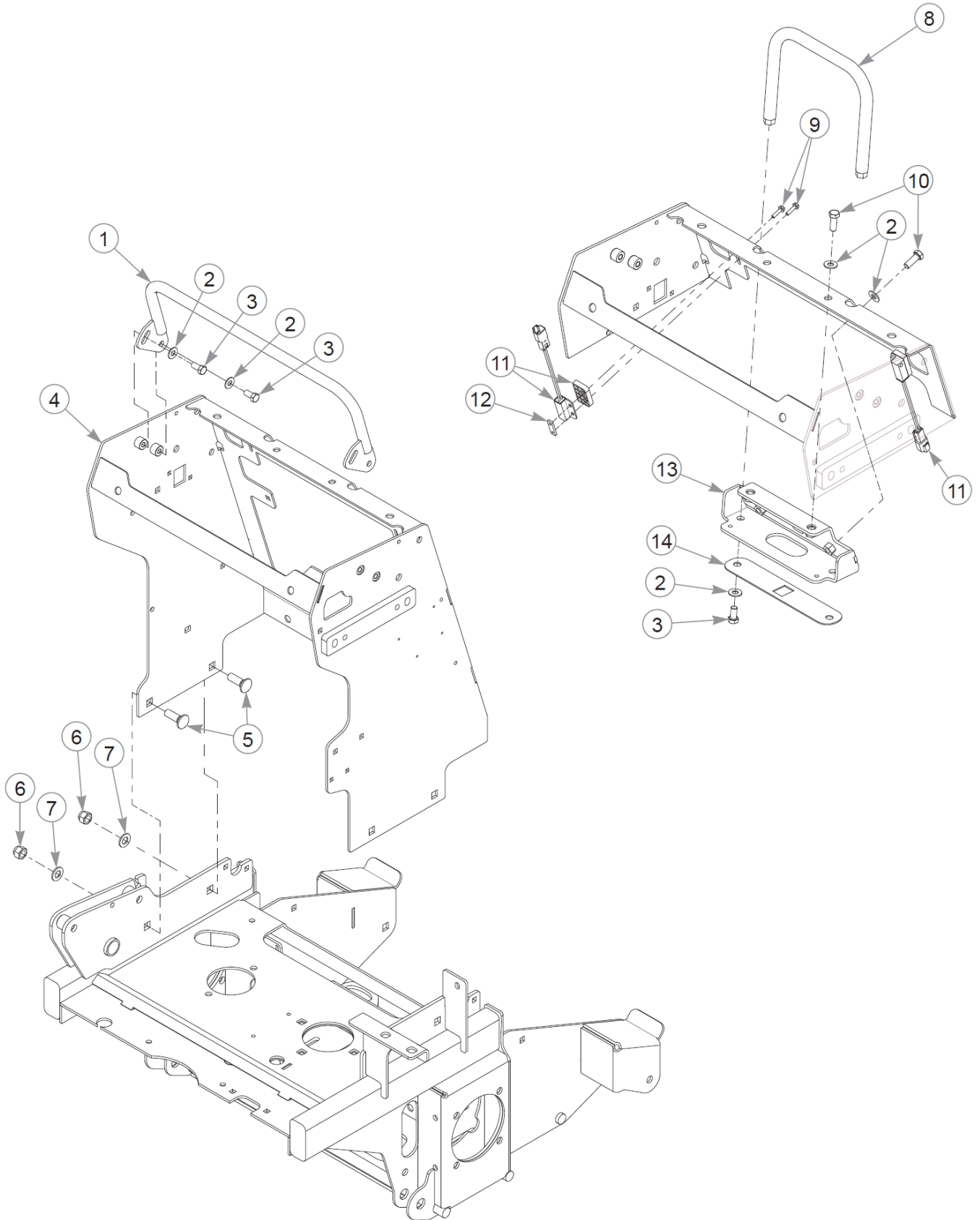
48" Super S Parts Manual - 940213 - HTSUPS048KAWFX691VA

| Item | Part No. | Qty | Name                    |
|------|----------|-----|-------------------------|
| 1    | 607859   | 1   | MOTOR, TL0280           |
| 2    | 781526   | 2   | FTG, 90°-10MORB/-8MORFS |
| 3    | 064337   | 1   | ROSS WOODRUFF KEY       |
| 4    | 065516   | 1   | ROSS NUT                |

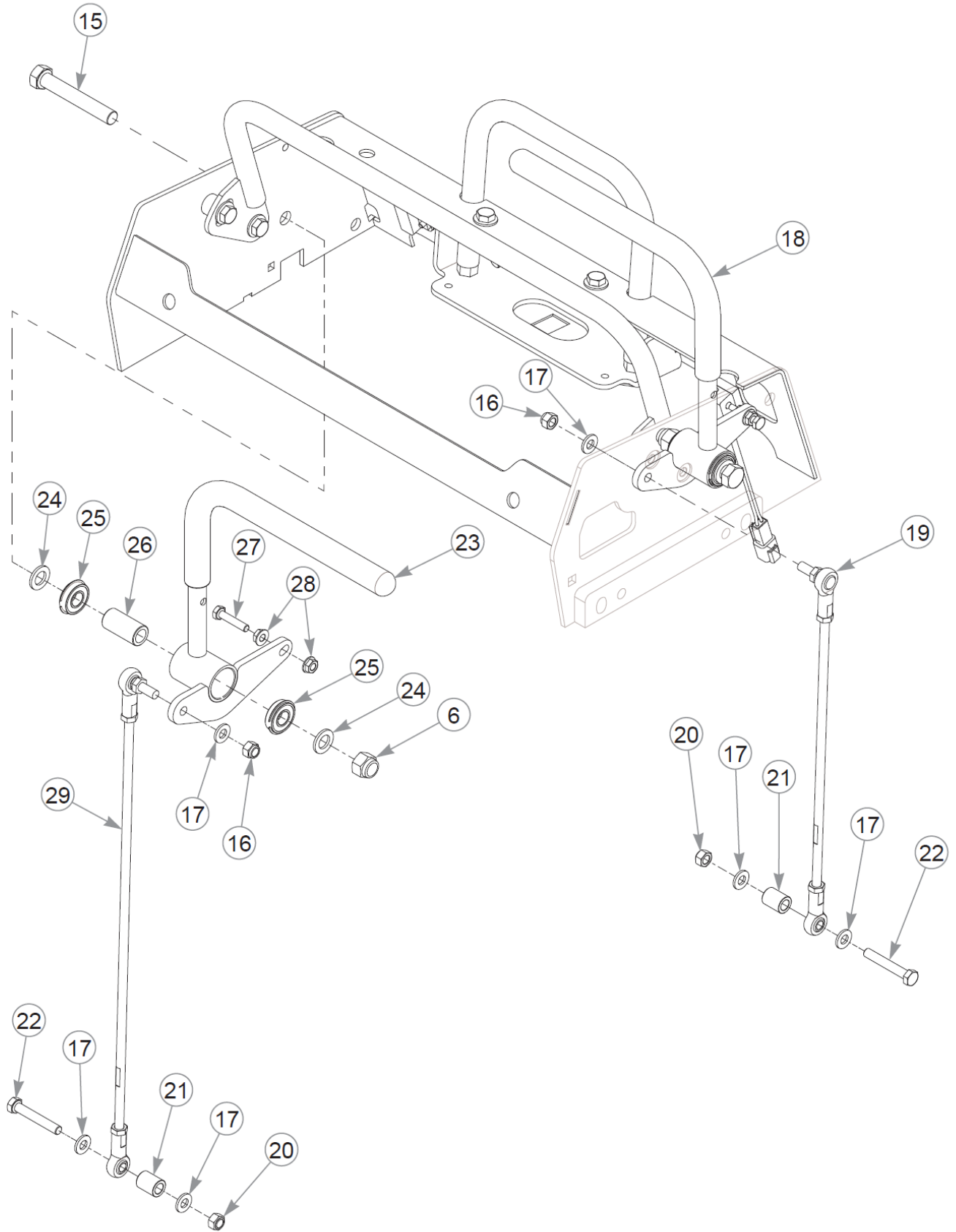


**Pump Drive, Drive Belt & Clutch**

| Item   | Part No. | Qty | Name                     |
|--|----------|-----|--------------------------|
| 1  | 605850   | 1   | PULLEY, 6.111"OP MICRO V |
| 2  | 212076   | 2   | KEY 1/4 SQ X 1.50 LG(FS) |
| 3  | 606259   | 1   | FW .485X1.46X.25 ZY      |
| 4  | 602680   | 2   | FW .453X1.12X.12 HRD ZN  |
| 5  | 606175   | 1   | CS .437-20X1.75 HXG5 P85 |
| 6  | 768127   | 1   | KEY 5mm x30mm RADIUS EN  |
| 7  | 000331   | 2   | WIRE TIE, SMALL/SHORT    |
| 8  | 083196   | 2   | SS .312-18X0.750SQ       |
| 9  | 606031   | 1   | PULLEY, 6.111"OP MICRO V |
| 10   | 034272   | 2   | NT .312-18HXG5           |
| 11   | 768523   | 4   | FW 0.343SAE              |
| 12   | 113347   | 1   | CLUTCH ANCHOR            |
| 13   | 036236   | 2   | CS .312-18X1.000HXG5     |
| 14   | 606066   | 1   | PULLEY, 4" FLAT IDLER    |
| 15   | 606256   | 1   | FW .515X1.00X.13 ZN      |
| 16   | 017616   | 1   | CS .500-13X1.750HXG5     |
| 17   | 781872   | 1   | CS .625-11X1.250HXG5     |
| 18   | 601488   | 1   | PULLEY, 4" FLAT IDLER    |
| 19   | 704791   | 1   | FW .781X1.25X.02 ZN      |
| 20   | 781153   | 2   | BUSHING, UHMW            |
| 21   | 122528   | 1   | IDLER ARM, W/A           |
| 22   | 025296   | 1   | FW .760X1.63X0.08 ZN     |
| 23   | 601084   | 1   | SB .750X 2.000 SH.625-11 |
| 24   | 605854   | 1   | PULLEY, 6.111"OP MICRO V |
| 25   | 781302   | 1   | IDLER SPRING             |
| 26   | 601486   | 1   | EB, .375-16X3.00 FULTHD  |
| 27   | 054502   | 2   | NT .375-16HXG5           |
| 28   | 767954   | 2   | FW 0.379X.82X.06 HD ZN   |
| 29   | 606352K  | 1   | CLUTCH KIT, 606352       |
| 30   | 791251   | 1   | HARNES, CLUTCH PIGTAIL   |
| <p>Comments for Part Num. 791251</p> <p>Pigtail was updated with epoxy to hold the wires steady. The wire sheath was also updated to a more flexible material.</p> |          |     |                          |
| 31   | 785659   | 1   | CS .437-20X2.50 HXG5 P85 |
| 32   | 606371   | 1   | DRIVE BELT               |



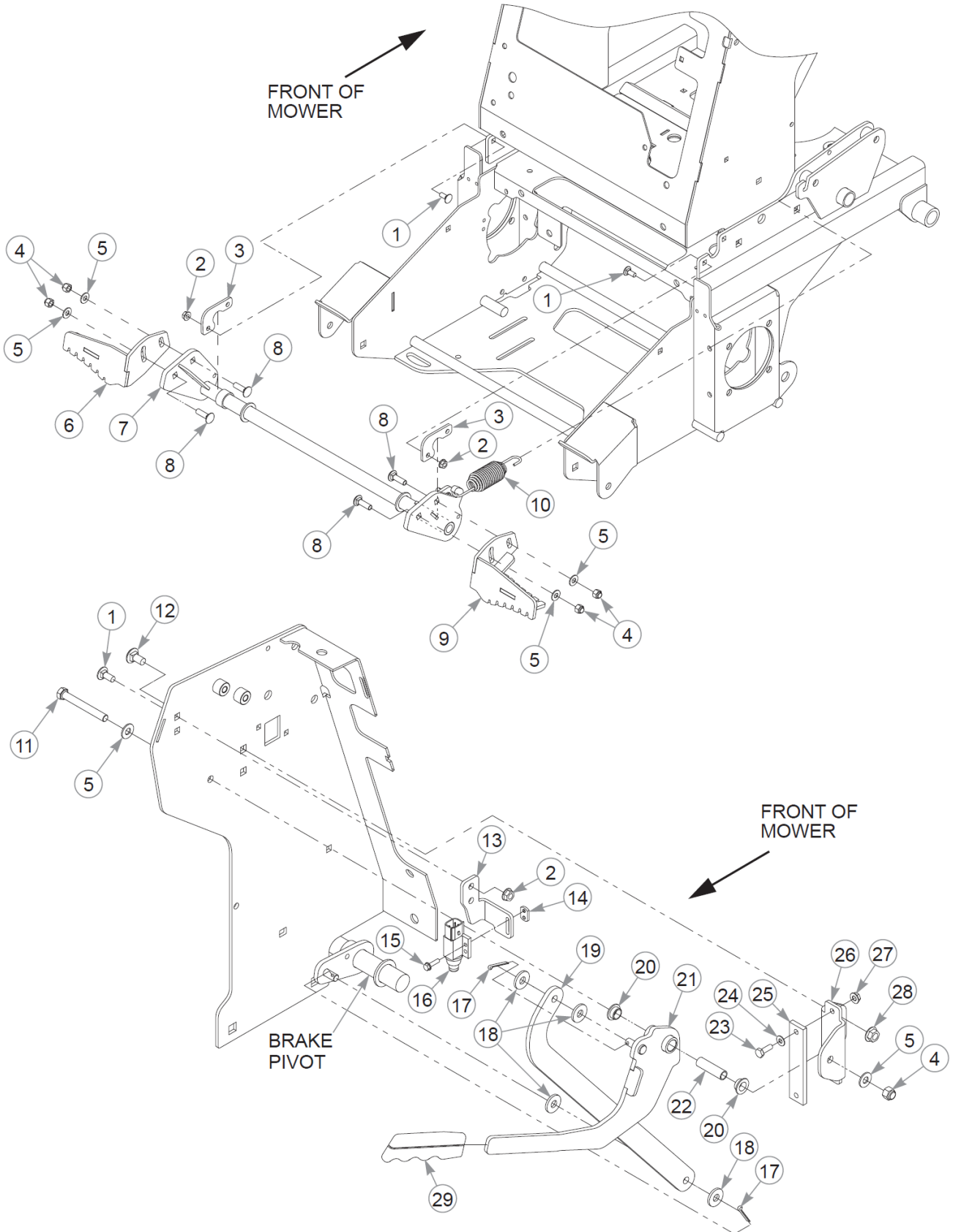
This page intentionally left blank



| Item      | Part No. | Qty | Name                     |
|-----------|----------|-----|--------------------------|
| 1         | 127113-1 | 1   | W/A, FWD STOP            |
| 2         | 767954   | 10  | FW 0.379X.82X.06 HD ZN   |
| 3         | 055822   | 6   | CS .375-16X0.75 HX G5 ZN |
| 4         | 127206-1 | 1   | TOWER W/A                |
| 5         | 028274   | 4   | CB .500-13X 1.500 FULL   |
| 6         | 781567   | 6   | NT .500-13NLG5           |
| 7         | 004168   | 4   | FW .531x1.00x.090 ZN     |
| 8         | 127112-1 | 1   | W/A, REAR STOP           |
| 9         | 063198   | 4   | CS #10-24X0.750FLKG5     |
| 10        | 036244   | 4   | CS .375-16X1.00 HX G5 ZN |
| 11        | 605325   | 2   | SWITCH, PROX             |
| 12        | 608293   | 2   | NUT PLATE, 10-24         |
| 13        | 127203-1 | 1   | W/A, HANDLE MOUNT        |
| 14        | 127276-1 | 1   | PANEL, FUSE MOUNT        |
| 15        | 077859   | 2   | CS .500-13X3.250HXG5     |
| 16        | 023655   | 2   | NT 0.312-24 NL G8        |
| 17        | 768523   | 6   | FW 0.343SAE              |
| 18        | 608315   | 1   | HANDLE ASSY, LH          |
| Not Shown | 608314   | 1   | GRIP, HANDLE             |
| 19        | 608317   | 1   | PUMP ROD ASSEMBLY        |
| 20        | 058776   | 2   | NT .312-18NLG5           |
| 21        | 606285   | 2   | SPACER, .375X.625X.800   |
| 22        | 064345   | 2   | CS .312-18X2.000HXG5     |
| 23        | 608316   | 1   | HANDLE ASSY, RH          |
| Not Shown | 608314   | 1   | GRIP, HANDLE             |
| 24        | 718288   | 4   | FW .516X.88X.09 ZN       |
| 25        | 608254   | 4   | BEARING                  |
| 26        | 608294   | 2   | SPACER, STEERING         |
| 27        | 603968   | 2   | CS .250-20X1.25 HX FLTRD |
| 28        | 016816   | 4   | NT .250-20FLKG5          |
| 29        | 608318   | 1   | PUMP ROD ASSEMBLY        |

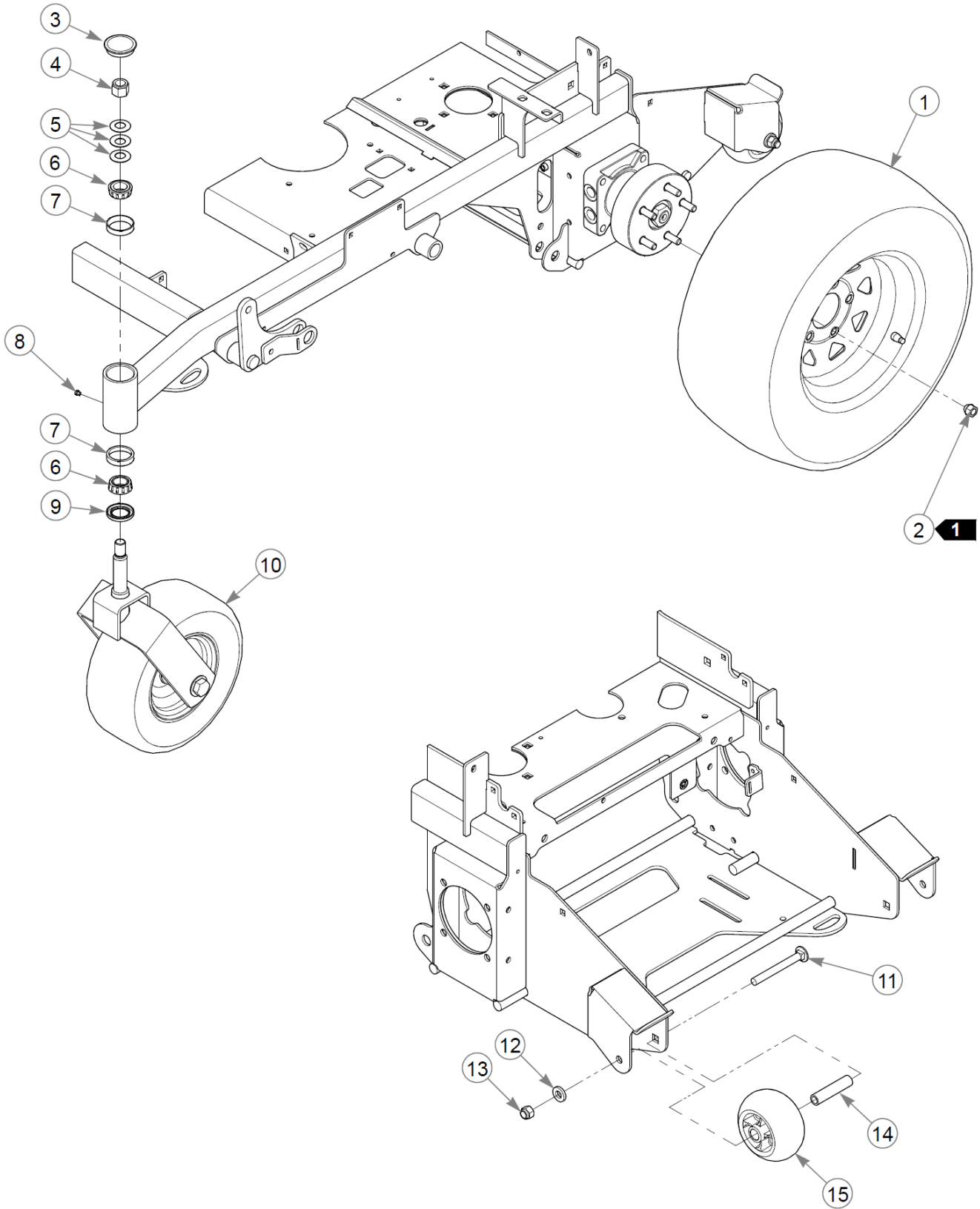


Brake



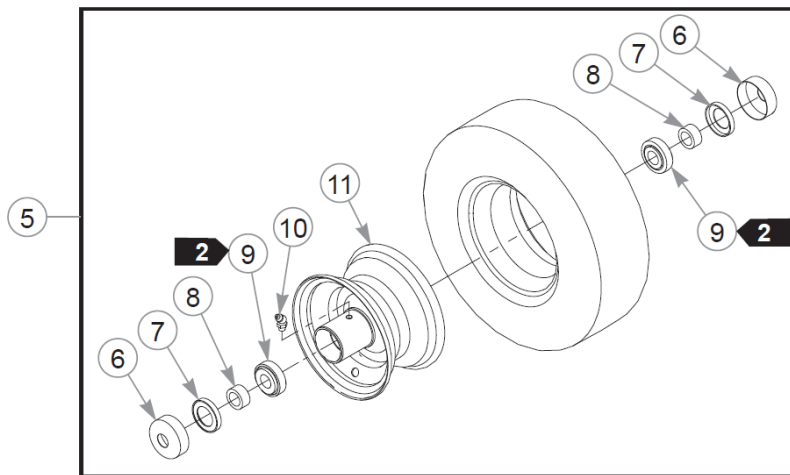
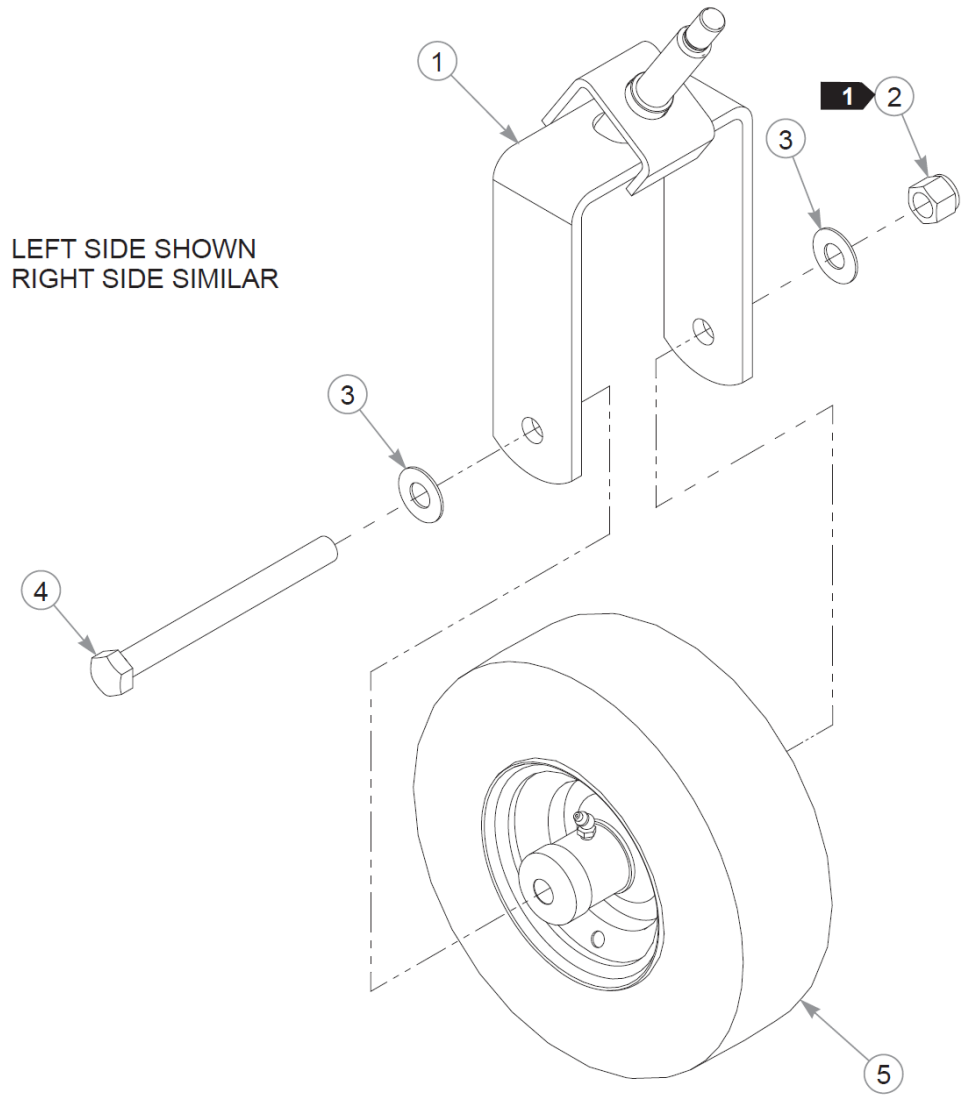
# Brake

| Item | Part No. | Qty | Name                     |
|------|----------|-----|--------------------------|
| 1    | 016253   | 6   | CB .312-18X .750 FUL ZN  |
| 2    | 016832   | 6   | NT .312-18FLKG5          |
| 3    | 127274-1 | 2   | GUIDE, BRAKE PIVOT       |
| 4    | 086660   | 5   | NT .375-16NLG8           |
| 5    | 767954   | 6   | FW 0.379X.82X.06 HD ZN   |
| 6    | 127286-4 | 1   | W/A, BRAKE CLEAT LH      |
| 7    | 127277-4 | 1   | W/A, BRAKE PIVOT         |
| 8    | 603113   | 4   | CB .375-16X1.250 G5 ZN   |
| 9    | 127285-4 | 1   | W/A, BRAKE CLEAT RH      |
| 10   | 781302   | 1   | IDLER SPRING             |
| 11   | 016444   | 1   | CS .375-16X3.000HXG5     |
| 12   | 011320   | 2   | CB .375-16X .750 STD ZN  |
| 13   | 127275-1 | 1   | BRKT, BRAKE SWITCH       |
| 14   | 601822   | 1   | NUT PLATE, .420 CENTERS  |
| 15   | 063198   | 2   | CS #10-24X0.750FLKG5     |
| 16   | 602538   | 1   | SWITCH PLUNGER, NC/NO    |
| 17   | 017244   | 2   | CP .125DX1.000 LG HML Z  |
| 18   | 712919   | 4   | FW 0.406X1.00X.12 HD ZN  |
| 19   | 127273-1 | 1   | PULL LINK                |
| 20   | 768259   | 2   | BUSHING,IGUS#0810 (FS)   |
| 21   | 127268-4 | 1   | W/A, BRAKE HANDLE        |
| 22   | 608353   | 1   | SLEEVE                   |
| 23   | 055939   | 2   | CS .250-20X0.75 HX G5 ZN |
| 24   | 017079   | 2   | FW .250SAE               |
| 25   | 608324   | 1   | PAD, HANDLE STOP         |
| 26   | 127272-1 | 1   | BRKT, HANDLE MOUNT       |
| 27   | 016816   | 2   | NT .250-20FLKG5          |
| 28   | 016899   | 2   | NT .375-16 FLKG5         |
| 29   | 604377   | 1   | GRIP, 1/4 X 1.000 BLACK  |



## Wheels & Tires

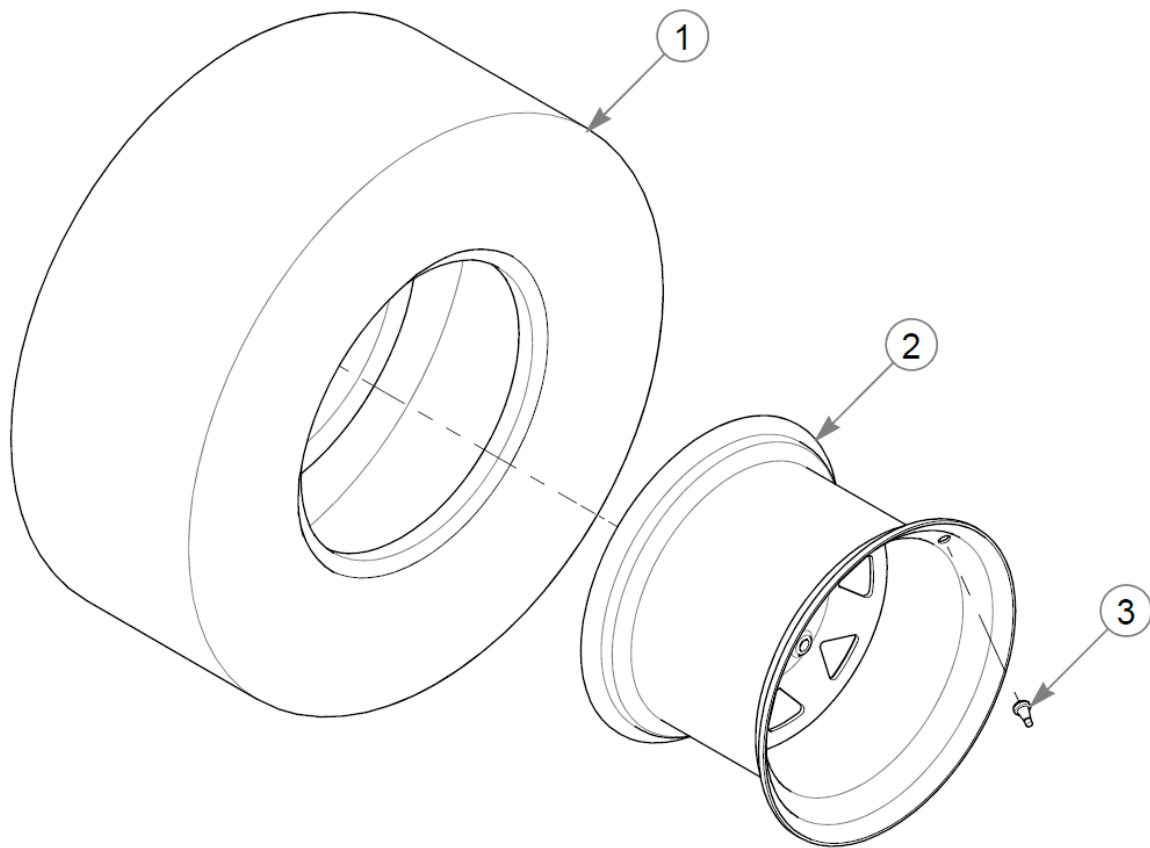
| Item | Part No. | Qty | Name                            |
|------|----------|-----|---------------------------------|
| 1    | 606499   | 2   | TIR/WHL 24X9.50-12 BLK          |
| 2    | 061077   | 10  | WHEEL NUT                       |
| 3    | 606711   | 2   | DUST CAP                        |
| 4    | 061101   | 2   | NT .750-10 HX ZN NL GR B        |
| 5    | 606715   | 6   | CW 0.766 X 1.50 X .093          |
| 6    | 606712   | 4   | BEARING, TAPERED ROLLER         |
| 7    | 606713   | 4   | RACE, TAPERE ROLLER             |
| 8    | 606817   | 2   | GREASE PLUG                     |
| 9    | 606714   | 2   | SEAL, 1.25 X 1.98               |
| 10   | N/A      | 2   | REFER TO "FRONT WHEEL ASSEMBLY" |
| 11   | 602339   | 2   | CB .50-13 X 4.50 STD ZN         |
| 12   | 767962   | 2   | FW .531 x 1.063 x .175          |
| 13   | 781567   | 2   | NT .500-13NLG5                  |
| 14   | 602345   | 2   | SPACER, ANTI-SCALP 3.22         |
| 15   | 602263   | 2   | WHEEL, ANTI-SCALP               |



## Front Wheel Assembly

48" Super S Parts Manual - 940213 - HTSUPS048KAWFX691VA

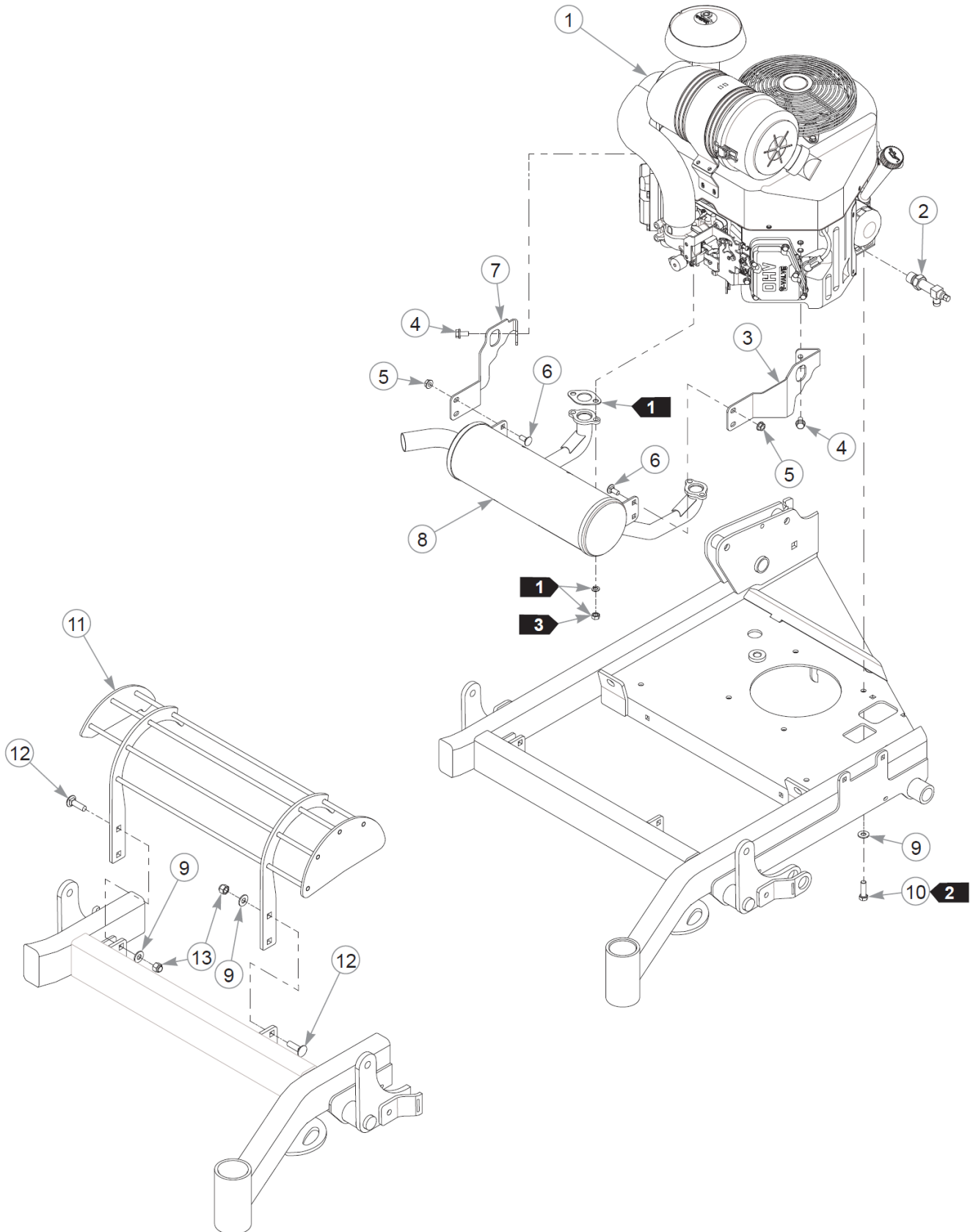
| Item | Part No. | Qty | Name                     |
|------|----------|-----|--------------------------|
| 1    | 126408-1 | 1   | W/A, CASTER FORK         |
| 2    | 061101   | 1   | NT .750-10 HX ZN NL GR B |
| 3    | 025296   | 2   | FW .760X1.63X0.08 ZN     |
| 4    | 786731   | 1   | CS .750-10X8.000HXG5     |
| 5    | 606743   | 1   | TIR/WHL 13X5.00-6 BLK    |
| 6    | 606815   | 2   | DUST CAP, 0.752 ID       |
| 7    | 606780   | 2   | SEAL                     |
| 8    | 606778   | 2   | SPACER, 0.531            |
| 9    | 606753   | 2   | BEARING, TAPERED ROLLER  |
| 10   | 606126   | 1   | GREASE FITTING, M8X1.0   |
| 11   | 606750   | 1   | WHL 6X3.25 BLK           |



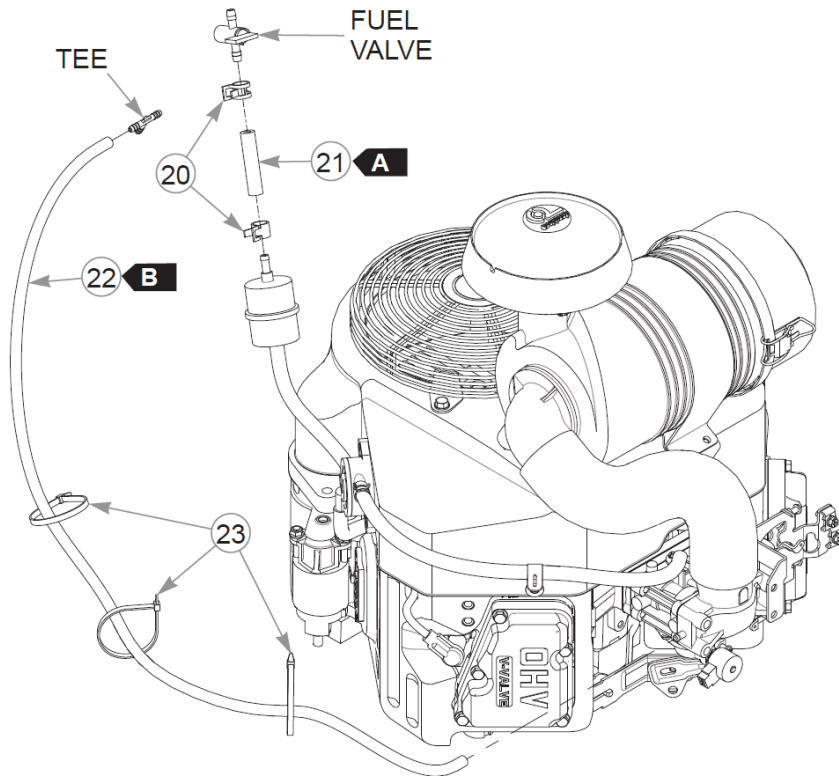
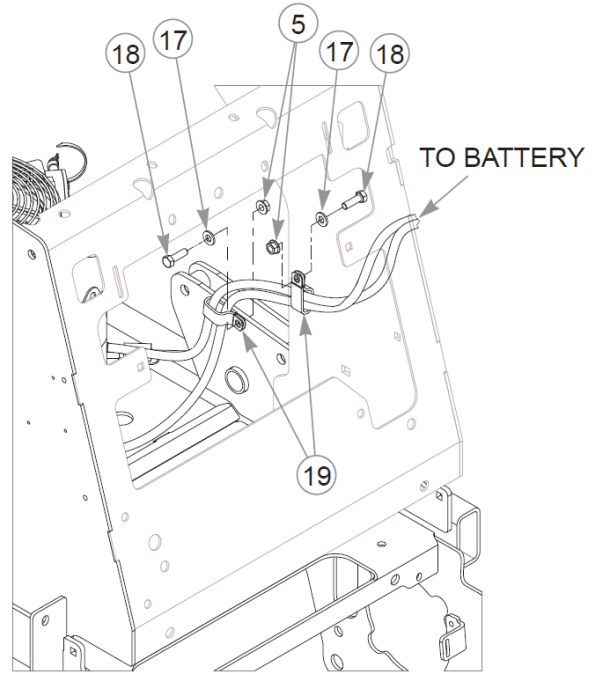
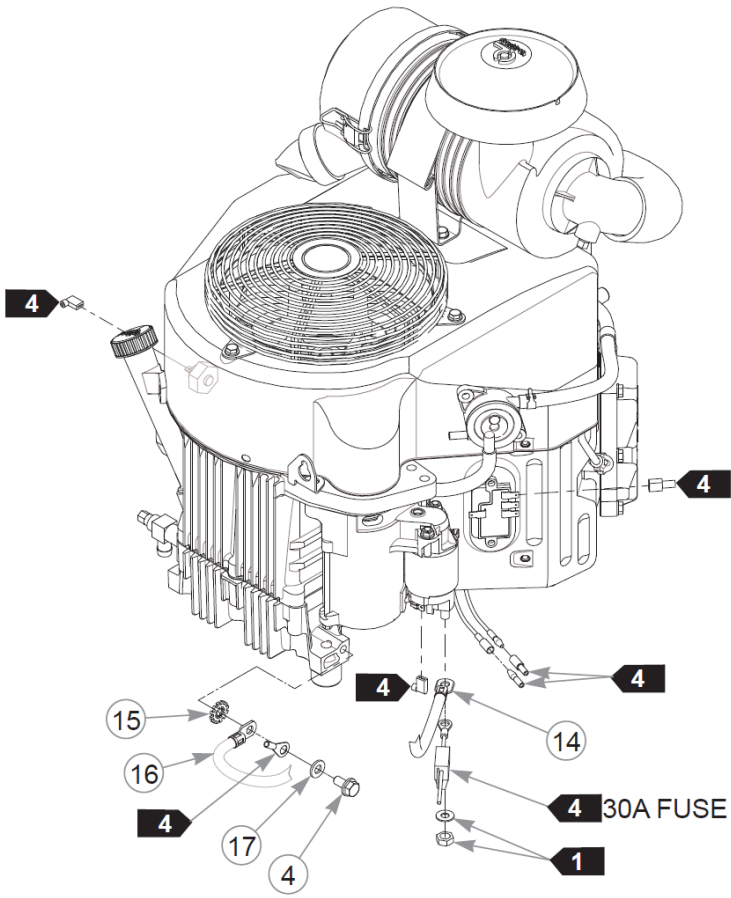
## Drive Wheel Assembly

| <b>Item</b> | <b>Part No.</b> | <b>Qty</b> | <b>Name</b>             |
|-------------|-----------------|------------|-------------------------|
| 1           | 782284          | 1          | TIR 24X9.50-12 B4R LTFT |
| 2           | 606500          | 1          | WHL 12X7.00 5X4.5 BLK   |
| 3           | 019521          | 1          | TIRE VALVE TR-412 GOODY |



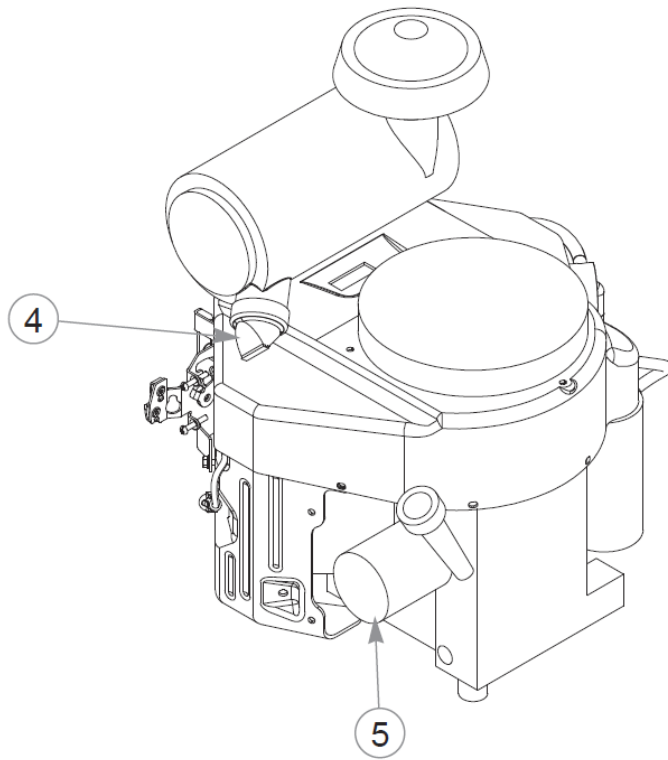
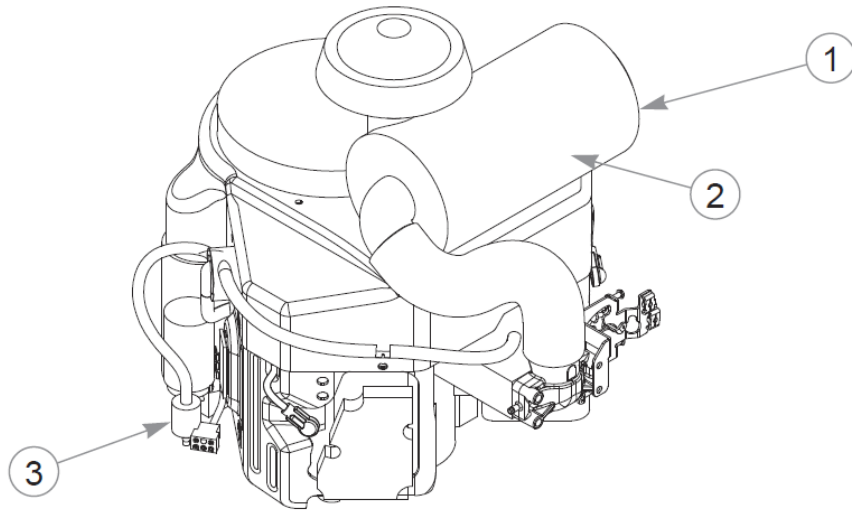


This page intentionally left blank

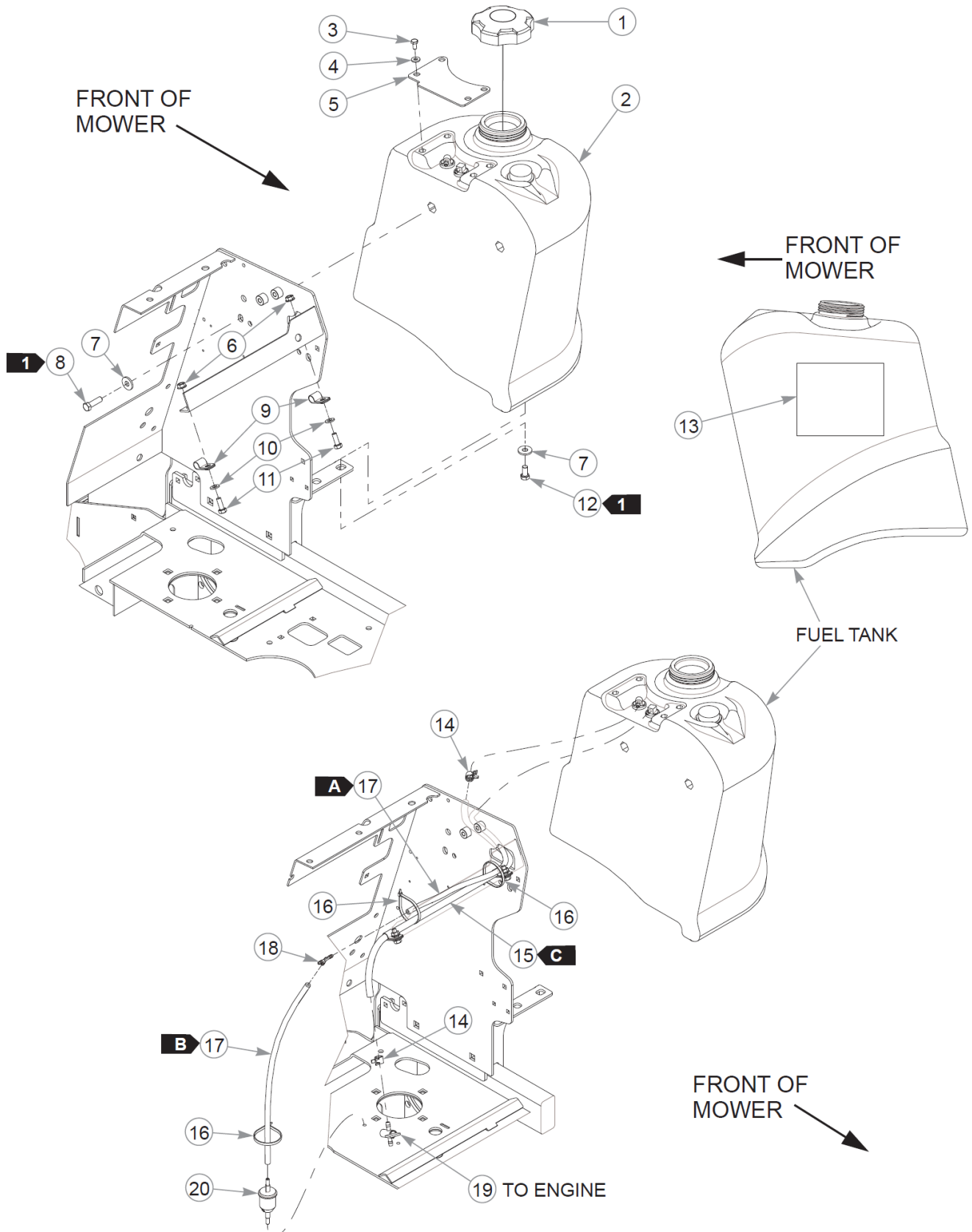


**Engine & Muffler (Multi-Page)**

| Item  | Part No. | Qty | Name                     |
|---|----------|-----|--------------------------|
| 1   |          | 1   | KAWASAKI FX691V ENGINE   |
| 2   | 796524   | 1   | VALVE,OIL DRAIN M20x2.5  |
| 3   | 122340   | 1   | STAY, MUFFLER            |
| 4   | 720516   | 5   | CS M8-1.25X16HX FL10.9   |
| 5   | 016832   | 6   | NT .312-18FLKG5          |
| 6   | 016253   | 4   | CB .312-18X .750 FUL ZN  |
| 7   | 122341   | 1   | STAY, MUFFLER            |
| 8   | 606043   | 1   | MUFFLER, FX730V          |
| 9   | 767954   | 8   | FW 0.379X.82X.06 HD ZN   |
| 10  | 602580   | 4   | CS .375-16X1.25HXG8ZYP85 |
| 11  | 126972-3 | 1   | MUFFLER GUARD W/A        |
| 12  | 603113   | 4   | CB .375-16X1.250 G5 ZN   |
| 13  | 086660   | 4   | NT .375-16NLG8           |
| 14  | 744276   | 1   | BATTERY CABLE POSITIVE   |
| 15  | 029876   | 1   | LW .312 INTEXT ZN        |
| 16  | 744284   | 1   | BATTERY CABLE NEGATIVE   |
| 17  | 768523   | 3   | FW 0.343SAE              |
| 18  | 036236   | 2   | CS .312-18X1.000HXG5     |
| 19  | 043646   | 2   | CLAMP, CUSHIONED DOUBLE  |
| 20  | 000323   | 2   | CLIP, HOSE CLAMP         |
| 21  | 015818   | 2"  | FUEL LINE, 1/4"          |
| <p>Comments for Part Num. 015818</p> <p>Sold by the foot.</p> |          |     |                          |
| 22  | 603326   | 36" | VAPOR LINE, 3/16"        |
| <p>Comments for Part Num. 603326</p> <p>Sold by the foot.</p> |          |     |                          |
| 23  | 000331   | 3   | WIRE TIE, SMALL/SHORT    |



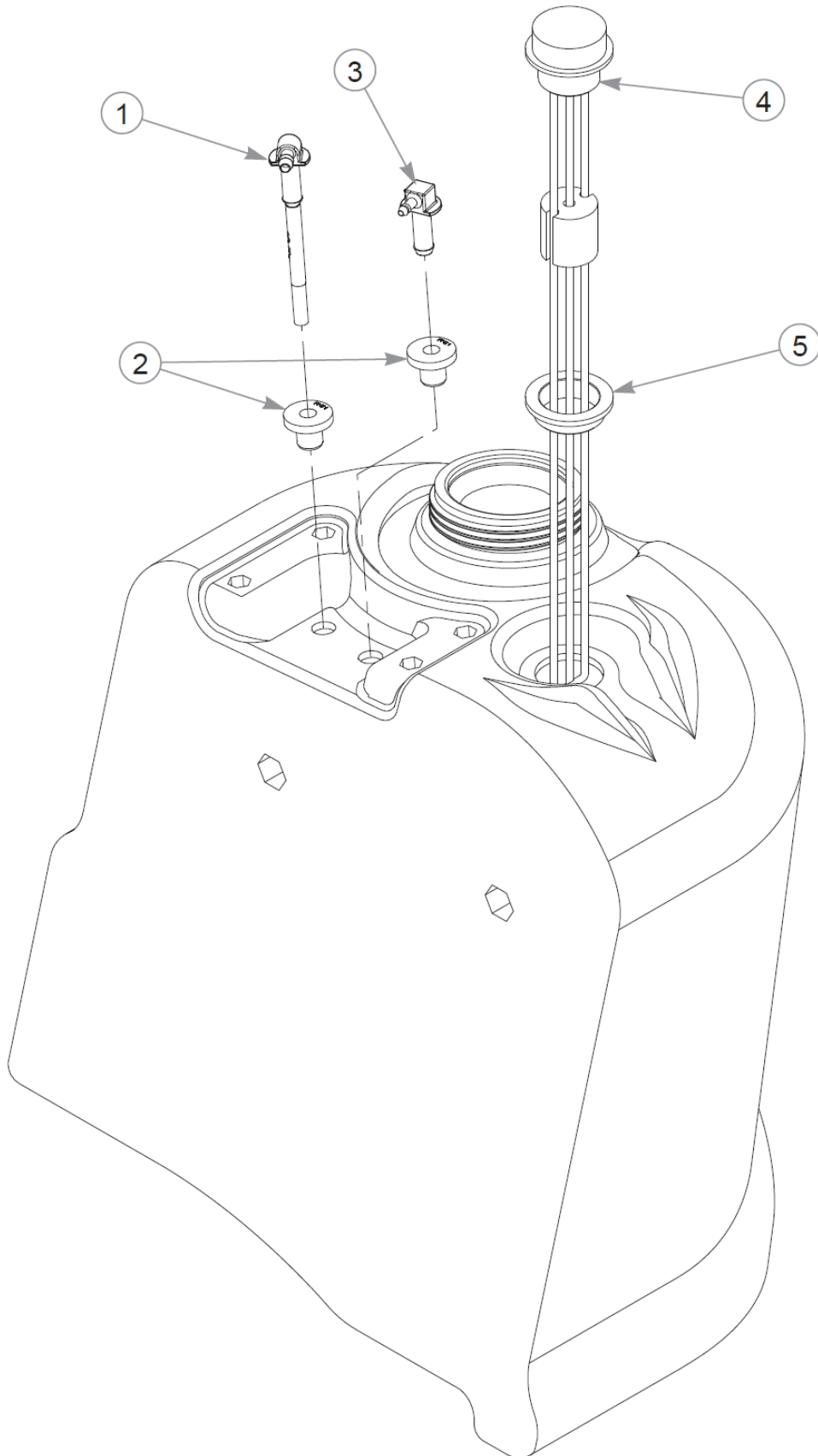
| Item | Part No. | Qty | Name                  |
|------|----------|-----|-----------------------|
| 1    | 785261   | 1   | AIR FILTER - MAIN     |
| 2    | 785279   | 1   | AIR FILTER - SAFETY   |
| 3    | 068478   | 1   | FUEL FILTER - IN LINE |
| 4    | 763318   | 1   | VALVE, VACUATOR       |
| 5    | 602581   | 1   | ENGINE OIL FILTER     |



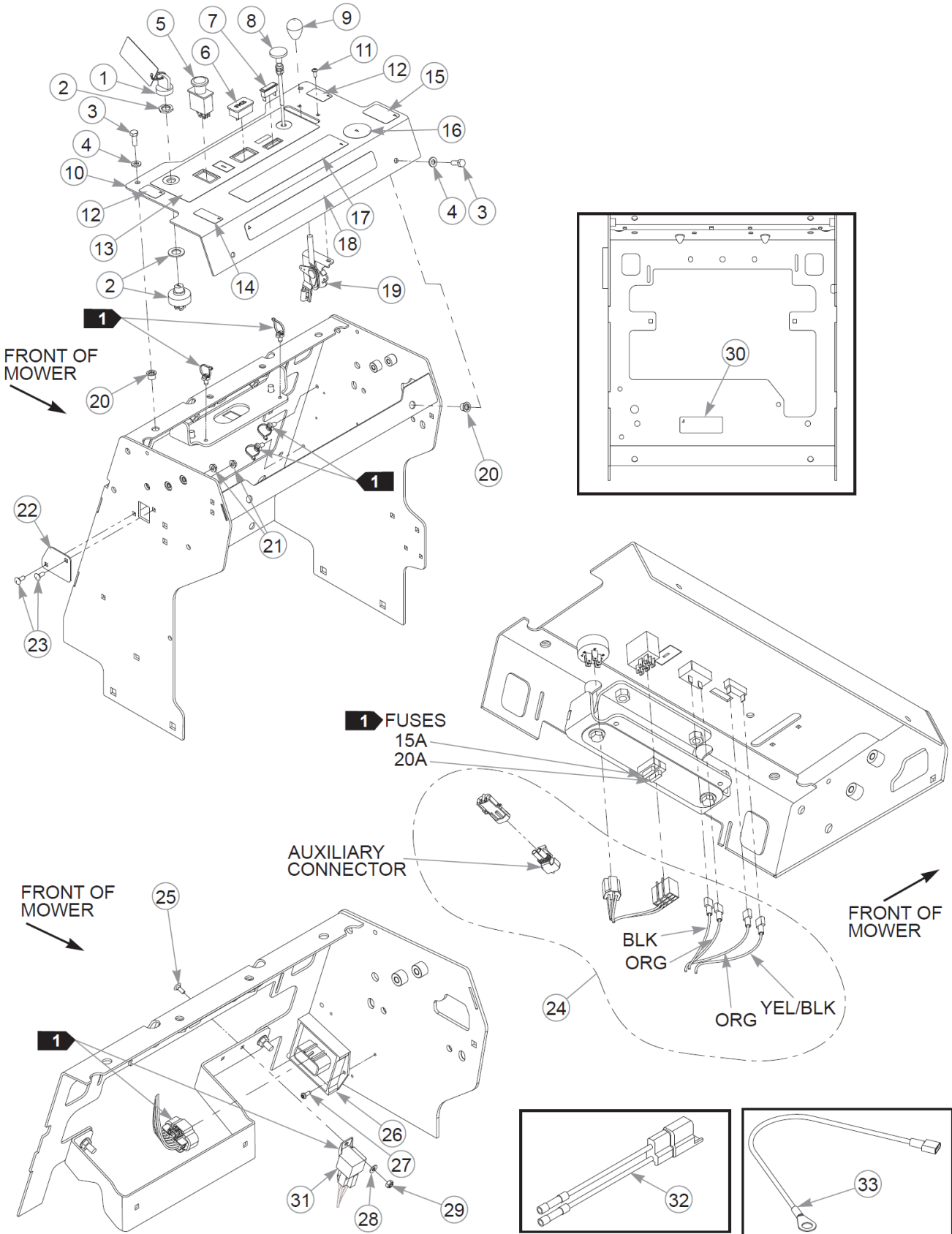
# Fuel System

| Item  | Part No. | Qty | Name                     |
|---|----------|-----|--------------------------|
| 1   | 603807   | 1   | CAP, 3.5" RATCHETING GAS |
| 2   | 605908   | 1   | FUEL TANK                |
| 3   | 055947   | 4   | CS .250-20X0.50 HX G5 ZN |
| 4   | 768515   | 4   | FW 0.281SAE              |
| 5   | 122115   | 1   | FUEL TANK COVER PLATE    |
| 6   | 016832   | 2   | NT .312-18FLKG5          |
| 7   | 712919   | 6   | FW 0.406X1.00X.12 HD ZN  |
| 8   | 052860   | 2   | CS .375-16X1.25 HX G5 ZN |
| 9   | 000398   | 2   | CLAMP - 50 CNT BAGS      |
| 10  | 768523   | 2   | FW 0.343SAE              |
| 11  | 064014   | 2   | CS .312-18X0.875HXG5     |
| 12  | 055822   | 4   | CS .375-16X0.75 HX G5 ZN |
| 13  | 606052   | 1   | DECAL, TANK              |
| 14  | 000323   | 2   | CLIP, HOSE CLAMP         |
| 15  | 015818   | 26" | FUEL LINE, 1/4"          |
| <p>Comments for Part Num. 015818</p> <p>Sold by the foot.</p> |          |     |                          |
| 16  | 000331   | 3   | WIRE TIE, SMALL/SHORT    |
| 17  | 603326   | 36" | VAPOR LINE, 3/16"        |
| <p>Comments for Part Num. 603326</p> <p>Sold by the foot.</p> |          |     |                          |
| 18  | 605690   | 1   | TEE, 3/16" PLASTIC       |
| 19  | 605601   | 1   | FUEL SHUT-OFF VALVE      |
| 20  | 604323   | 1   | VAPOR SYSTEM FILTER      |





| Item      | Part No. | Qty | Name                  |
|-----------|----------|-----|-----------------------|
| Not Shown | 605908   | 1   | FUEL TANK             |
| 1         | 605156K  | 1   | SUCTION HOSE SVC KIT  |
| 2         | 604200K  | 2   | GROMMET SVC KIT       |
| 3         | 604287K  | 1   | VENT FITTING SVC KIT  |
| 4         | 606055K  | 1   | FUEL GAUGE SVC KIT    |
| 5         | 603838K  | 1   | SVC KIT, TANK GROMMET |



**Instrument Panel & Wire Harness**

| Item | Part No. | Qty | Name                     |
|------|----------|-----|--------------------------|
| 1    | 785808   | 1   | KEY ASSEMBLY             |
| 2    | 045898   | 1   | IGNITION SWITCH          |
| 3    | 064014   | 4   | CS .312-18X0.875HXG5     |
| 4    | 768523   | 4   | FW 0.343SAE              |
| 5    | 776476   | 1   | SWITCH, PTO 6201-321     |
| 6    | 769166   | 1   | HOUR METER               |
| 7    | 712257   | 1   | INDICATOR LIGHT, RED(FS) |
| 8    | 601097   | 1   | CABLE, CHOKE             |
| 9    | 603523   | 1   | KNOB                     |
| 10   | 606851   | 2   | CS 10-24X .500 PH SH ZN  |
| 11   | 555887   | 1   | SVC, INSTR PANEL         |
| 12   | 606218   | 2   | DECAL, STEERING          |
| 13   | 608307   | 1   | DECAL, INST PANEL, CARB  |
| 14   | 607714   | 1   | DECAL, PARK BRAKE        |
| 15   | 605688   | 1   | DECAL, LEVEL FUEL FILL   |
| 16   | 608127   | 1   | DECAL, USA, F&D          |
| 17   | 606215   | 1   | DECAL, SAFE OPERATION    |
| 18   | 602407   | 1   | DECAL, HUSTLER ID        |
| 19   | 608142   | 1   | THROTTLE CABLE           |
| 20   | 808485   | 4   | RIVET NUT, 5/16-18 THRE  |
| 21   | 016816   | 2   | NT .250-20FLKG5          |
| 22   | 127297-1 | 1   | COVER, SWITCH HOLE       |
| 23   | 601503   | 2   | CB .250-20 X .625 ZN     |
| 24   | 608344   | 1   | WIRE HARNESS             |
| 25   | 601098   | 1   | CB 10-24 X .500 ZYNC     |
| 26   | 607545   | 1   | CONTROLLER, STANDON      |
| 27   | 605225   | 2   | CS #8-32 PH TRX          |
| 28   | 704932   | 1   | FW 0.219X.50X.05 ZN      |
| 29   | 059832   | 1   | NT #10-24 HX NL ZN       |
| 30   | 601058   | 1   | DECAL, HOT/SYN HYDRO OIL |
| 31   | 601053   | 1   | RELAY, SEALED W/BACKET   |
| 32   | 114052   | 1   | KIT, CLUTCH CONN. REP.   |
| 33   | 604430   | 1   | WIRE HARNESS             |

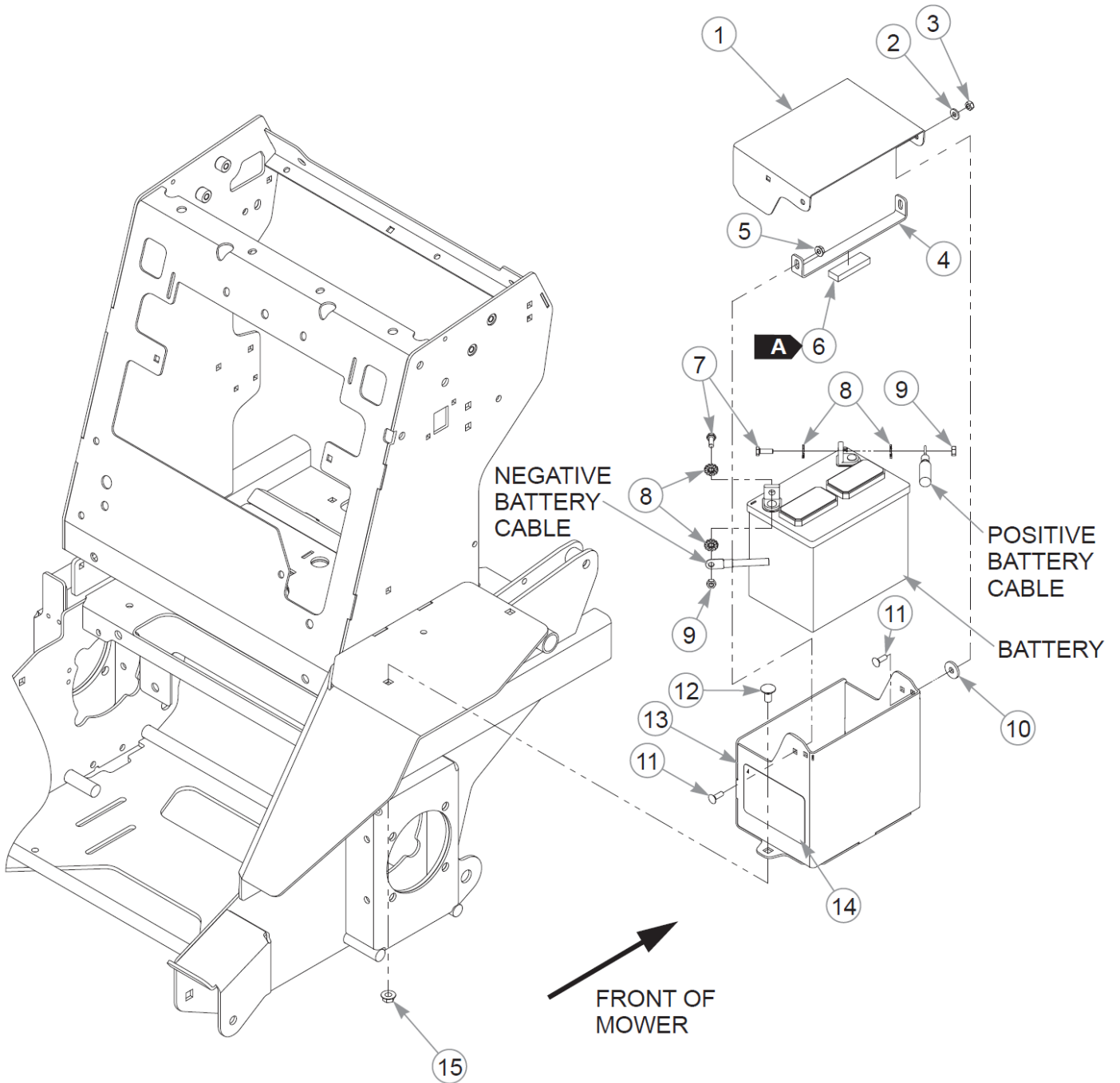
Comments for Page: Instrument Panel & Wire Harness

## Instrument Panel & Wire Harness

1. Part of the wire harness.
2. The instrument panel includes the decal.
3. The sealed relay includes a bracket.

This page intentionally left blank

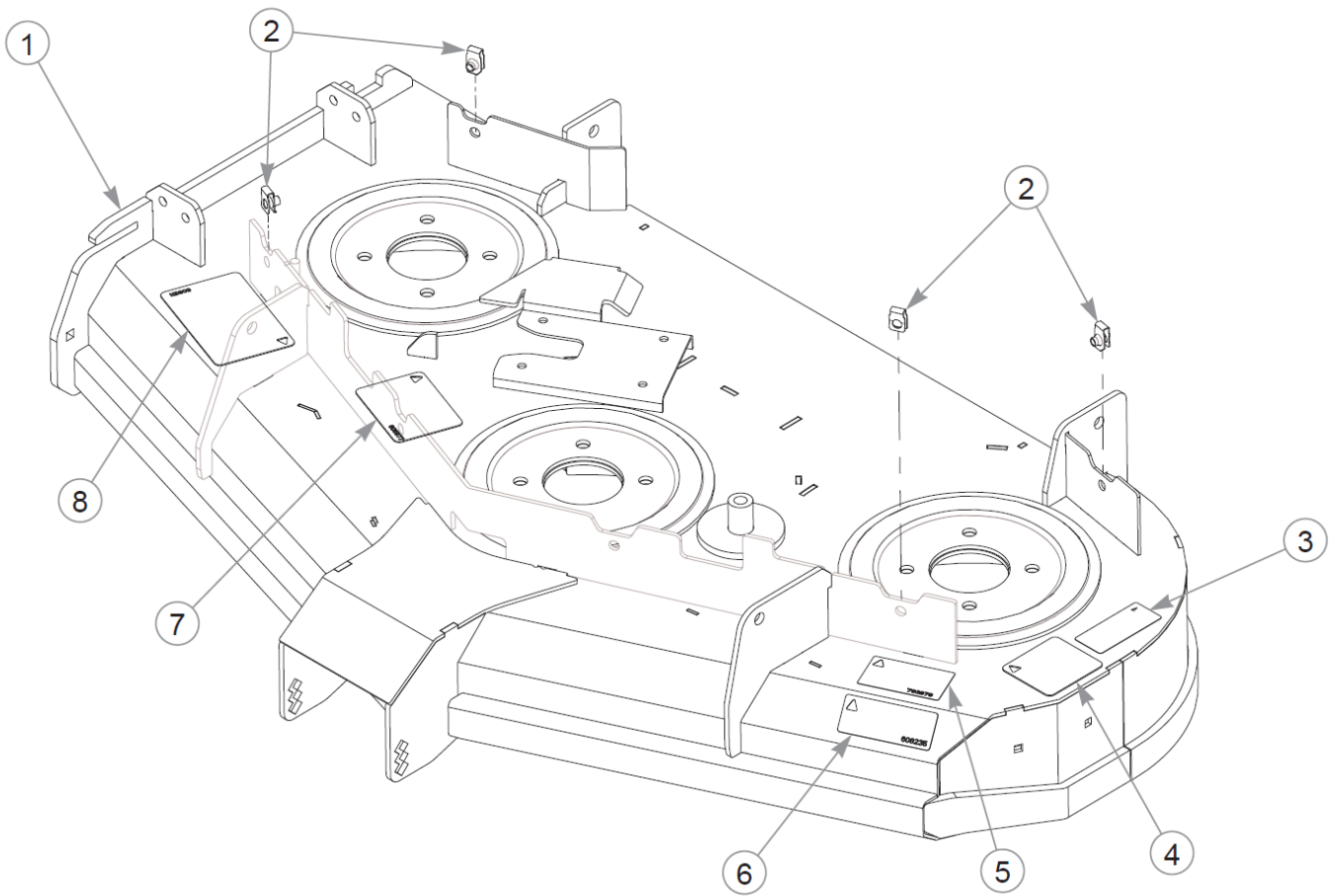
Battery



## Battery

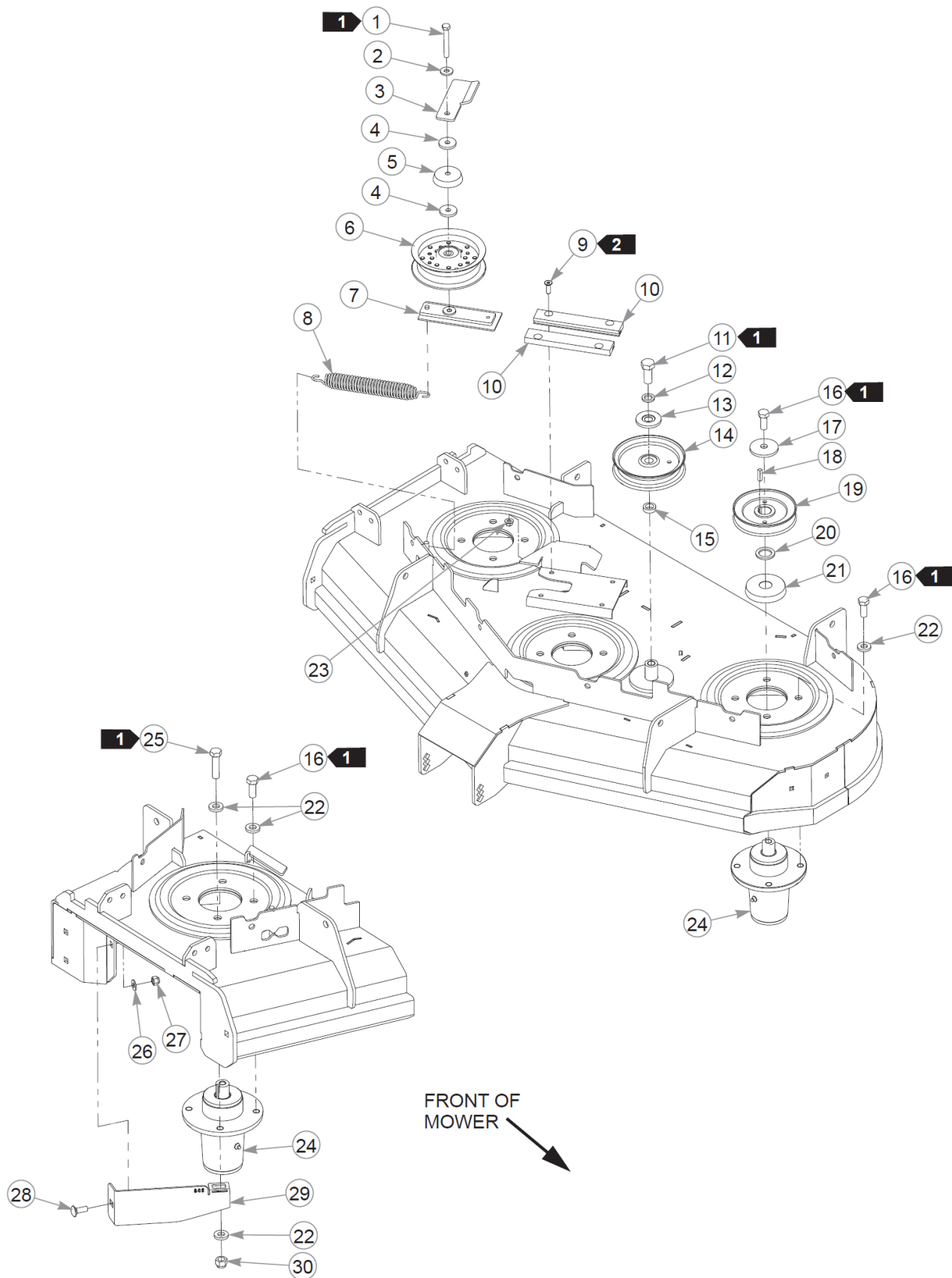
| Item | Part No. | Qty  | Name                     |
|------|----------|------|--------------------------|
| 1    | 127199-1 | 1    | COVER, BATTERY           |
| 2    | 768515   | 2    | FW 0.281SAE              |
| 3    | 068551   | 2    | NT .250-20 HXZY NL       |
| 4    | 127198-1 | 1    | STRAP, BATTERY           |
| 5    | 016816   | 2    | NT .250-20FLKG5          |
| 6    | 713198   | 2.5" | SEAL 3/8x3/4 SOLD BY FT  |
| 7    | 055939   | 2    | CS .250-20X0.75 HX G5 ZN |
| 8    | 029868   | 4    | LW .250 INTEXT ZN        |
| 9    | 024927   | 2    | NT .250-20HXG5           |
| 10   | 712927   | 2    | FW 0.344X1.00X.12 HD ZN  |
| 11   | 794784   | 4    | CB .250-20 X .75 FUL ZN  |
| 12   | 011320   | 2    | CB .375-16X .750 STD ZN  |
| 13   | 555891   | 1    | SVC, BATTERY BOX         |
| 14   | 601815   | 1    | DECAL, BATTERY WARNINGS  |
| 15   | 016899   | 2    | NT .375-16 FLKG5         |
| 16   | 000331   | 1    | WIRE TIE, SMALL/SHORT    |





## Service Deck

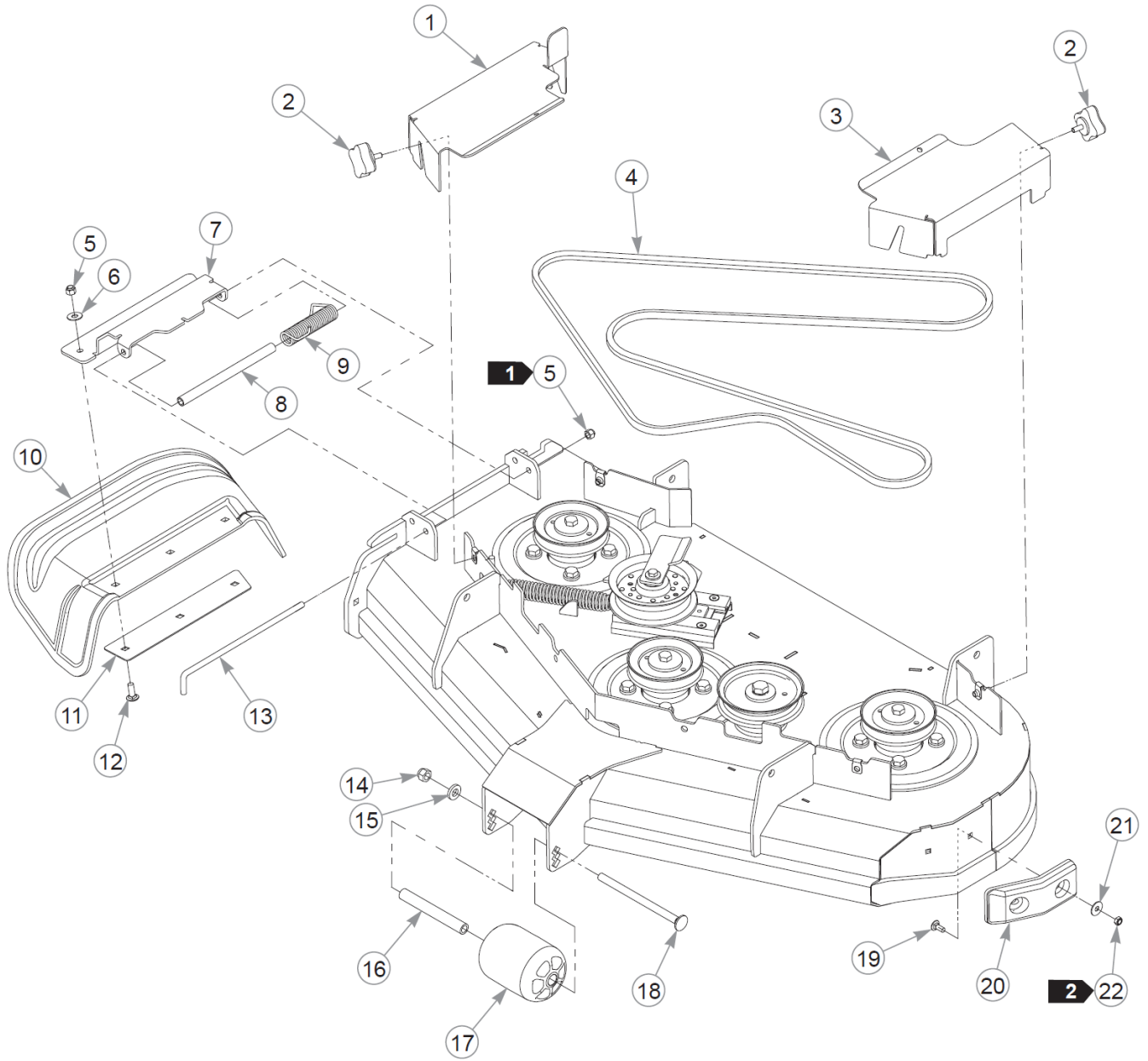
| Item | Part No. | Qty | Name                    |
|------|----------|-----|-------------------------|
| 1    | 555583   | 1   | SVC, DECK DECAL 48" SD  |
| 2    | 601069   | 4   | CN .312-18x.200 MAX THK |
| 3    | 601931   | 1   | DECAL, THROWN OBJECTS   |
| 4    | 601787   | 1   | DECAL, TRIMSTAR         |
| 5    | 793976   | 1   | DECAL,48"DECK ID        |
| 6    | 608235   | 1   | DECAL, VX               |
| 7    | 605977   | 1   | DECAL, BELT ROUTING     |
| 8    | 606151   | 1   | DECAL, DANGER / CHUTE   |



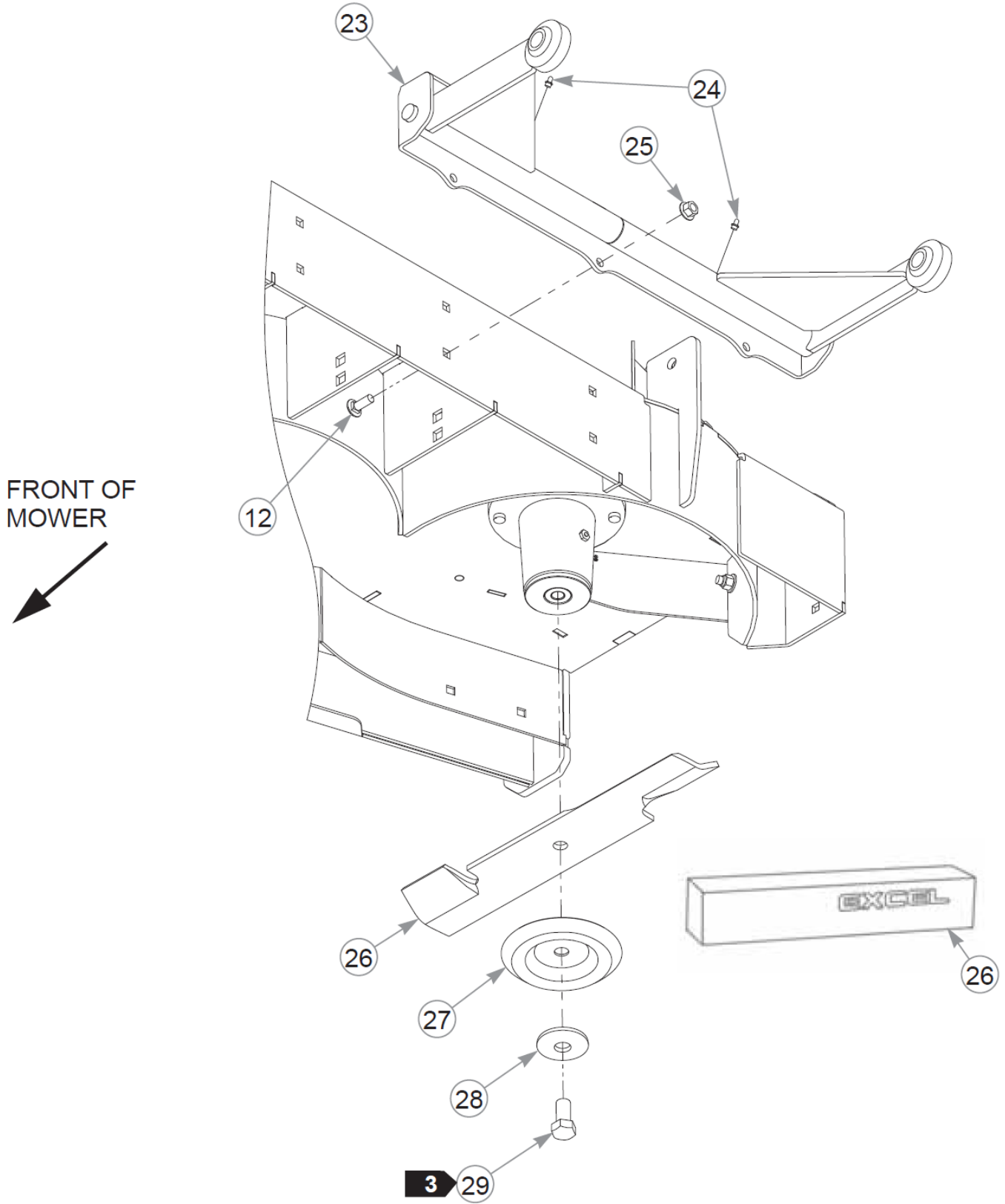
## Deck Pulleys & Spindles

48" Super S Parts Manual - 940213 - HTSUPS048KAWFX691VA

| Item | Part No. | Qty | Name                     |
|------|----------|-----|--------------------------|
| 1    | 705731   | 1   | CS .375-16X2.750G5       |
| 2    | 712919   | 1   | FW 0.406X1.00X.12 HD ZN  |
| 3    | 608298   | 1   | GUIDE, BELT 5.00" PULLEY |
| 4    | 608019   | 2   | FW .399X 1.375X.188 HDZN |
| 5    | 608299   | 1   | DUST SHIELD, .390 I.D.   |
| 6    | 606385   | 1   | PULLEY, 5" FLAT IDLER    |
| 7    | 126700   | 1   | SLED, W/A                |
| 8    | 607616   | 1   | SPRING, DECK IDLER       |
| 9    | 604086   | 4   | CS .312-18X1.00 FLTSH ZN |
| 10   | 601619   | 2   | IDLER SLIDE UHMW RT & LT |
| 11   | 794446   | 1   | CS .625-11X1.500HXG5     |
| 12   | 028118   | 1   | FW 0.625X1.00X.13 ZN     |
| 13   | 603057   | 1   | DUST SHIELD W/OFFSET     |
| 14   | 781856   | 1   | PULLEY, IDLER NHI 5.00"  |
| 15   | 600296   | 1   | SPACER, DECK IDLER       |
| 16   | 705954   | 14  | CS .500-13X1.25 HX G5 ZN |
| 17   | 752386   | 3   | CW .515X 2.25X .204 BLK  |
| 18   | 212472   | 3   | KEY 1/4 SQ X 1.00 LG(FS) |
| 19   | 602842   | 3   | PULLEY, DRIVE 5.187 OP   |
| 20   | 045765   | 3   | FW 1.030X1.50X.13 HD ZN  |
| 21   | 607409-4 | 3   | DUST SHIELD              |
| 22   | 767962   | 13  | FW .531 x 1.063 x .175   |
| 23   | 608059   | 4   | NT 0.312-18 FL NY G5     |
| 24   | 607407   | 3   | SPINDLE ASSY, DUCTILE    |
| 25   | 078949   | 1   | CS .500-13X2.000 FUL HX  |
| 26   | 767954   | 1   | FW 0.379X.82X.06 HD ZN   |
| 27   | 086660   | 1   | NT .375-16NLG8           |
| 28   | 025395   | 1   | CB .375-16X 1.00 G5 ZN   |
| 29   | 126909-1 | 1   | DIVERTOR, DISCHARGE 48"  |
| 30   | 781567   | 1   | NT .500-13NLG5           |

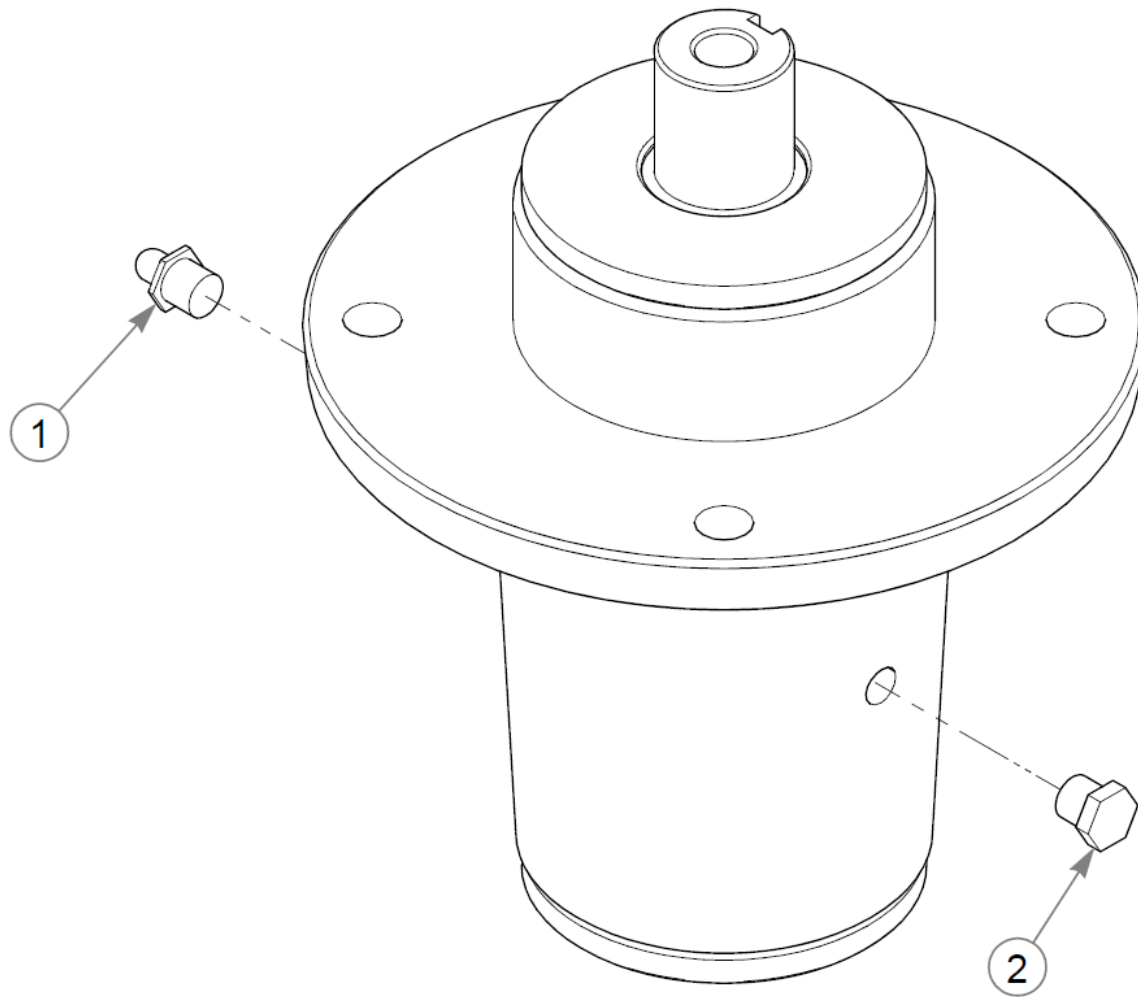


This page intentionally left blank



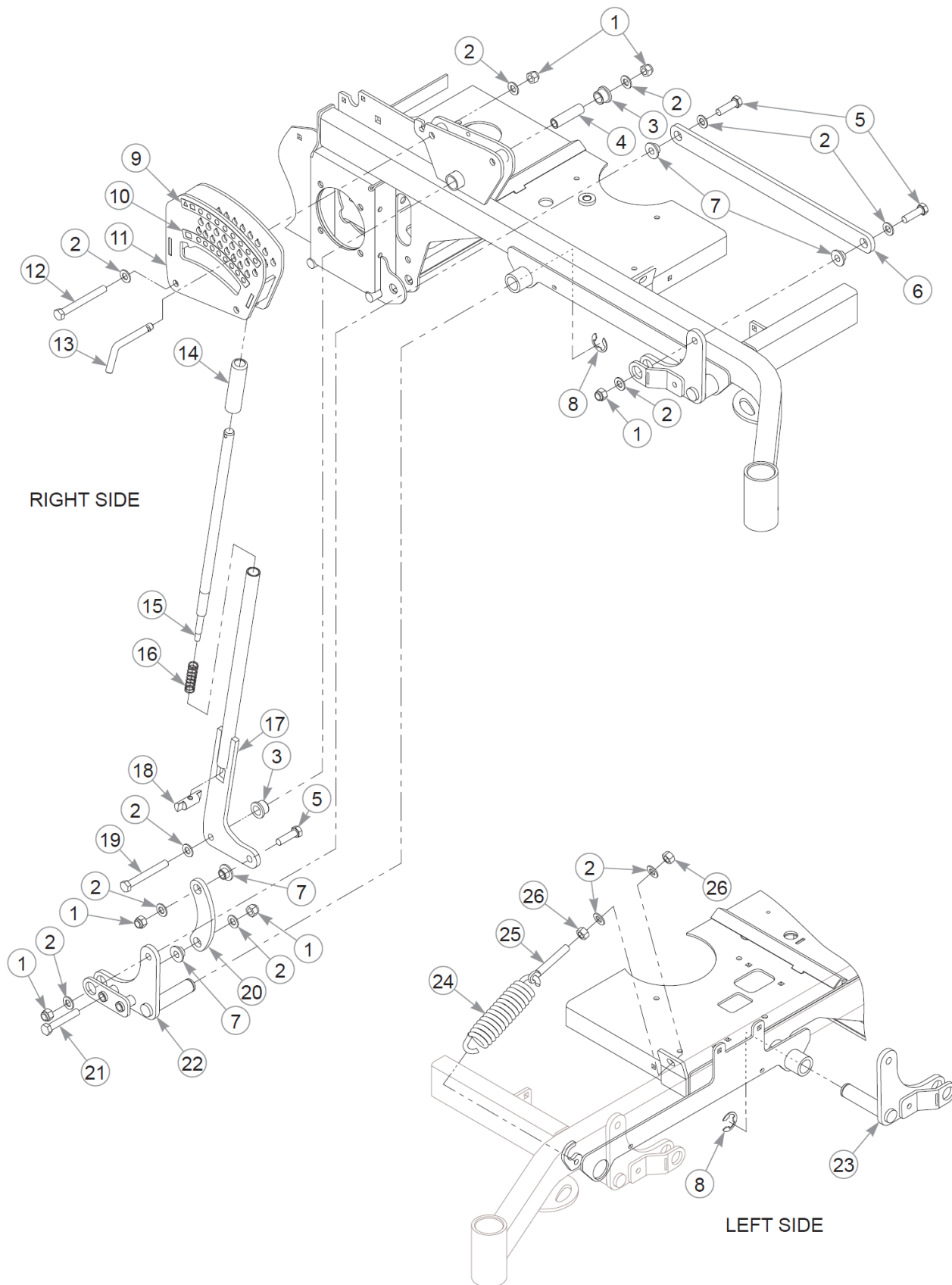
| Item      | Part No. | Qty | Name                     |
|-----------|----------|-----|--------------------------|
| 1         | 126624-1 | 1   | PULLEY COVER, RS 48"     |
| 2         | 792002   | 4   | KNOB,5/16-18 X 3/4"MALE  |
| 3         | 126626-1 | 1   | PULLEY COVER, LS 48"     |
| 4         | 608228   | 1   | BELT, DECK               |
| 5         | 086660   | 4   | NT .375-16NLG8           |
| 6         | 076422   | 3   | FW 0.406X1.00X.06 ZN     |
| 7         | 126218-1 | 1   | BRACKET, DISCHARE CHUTE  |
| 8         | 606166   | 1   | RETAINER, CHUTE SPRING   |
| 9         | 607787   | 1   | SPRING, TORSION CHUTE    |
| 10        | 605916   | 1   | DISCHARGE CHUTE          |
| 11        | 122148   | 1   | BRKT, CHUTE BOTTOM       |
| 12        | 025395   | 9   | CB .375-16X 1.00 G5 ZN   |
| 13        | 605936   | 1   | PIN, CHUTE               |
| 14        | 781567   | 1   | NT .500-13NLG5           |
| 15        | 767962   | 1   | FW .531 x 1.063 x .175   |
| 16        | 602344   | 1   | SPACER, ANTI- SCALP 5.73 |
| 17        | 602341   | 1   | WHEEL, ANTI-SCALP        |
| 18        | 602338   | 1   | CB .50-13 X 7.50 STD ZN  |
| 19        | 016253   | 2   | CB .312-18X .750 FUL ZN  |
| 20        | 605376   | 1   | DECK BUMPER              |
| 21        | 079210   | 2   | FW 0.344X1.0X0.06 ZN     |
| 22        | 604251   | 2   | NT .312-18 HXNL JAM G2ZN |
| 23        | 608008   | 1   | PUSHER W/A               |
| 24        | 015495   | 2   | GREASE FITTING STRAIGHT  |
| 25        | 604515   | 6   | NT .375-16 FL NY GF      |
| 26        | 608087   | 3   | BLADE, 16.50" EHN-F-CW   |
| Not Shown | 795757   | 3   | BLADE, F16.50"-H-F-CW    |
| Not Shown | 795757X  | 1   | 10PK BLADE, F16.50"-H-F- |
| Not Shown | 796623   | 3   | BLADE, 16.50"-MUL-F-CW   |
| Not Shown | 796623X  | 1   | 10PK BLADE, 16.50"-MUL-F |
| Not Shown | 796631   | 3   | BLADE, 16.50"-GAT-F-CW   |
| Not Shown | 796631X  | 1   | 10PK BLADE, 16.50"-GAT-F |
| 27        | 114988   | 3   | SHIELD, BLADE BOLT       |
| 28        | 782474   | 3   | CW .678 X 2.250 X .187   |
| 29        | 781872   | 3   | CS .625-11X1.250HXG5     |



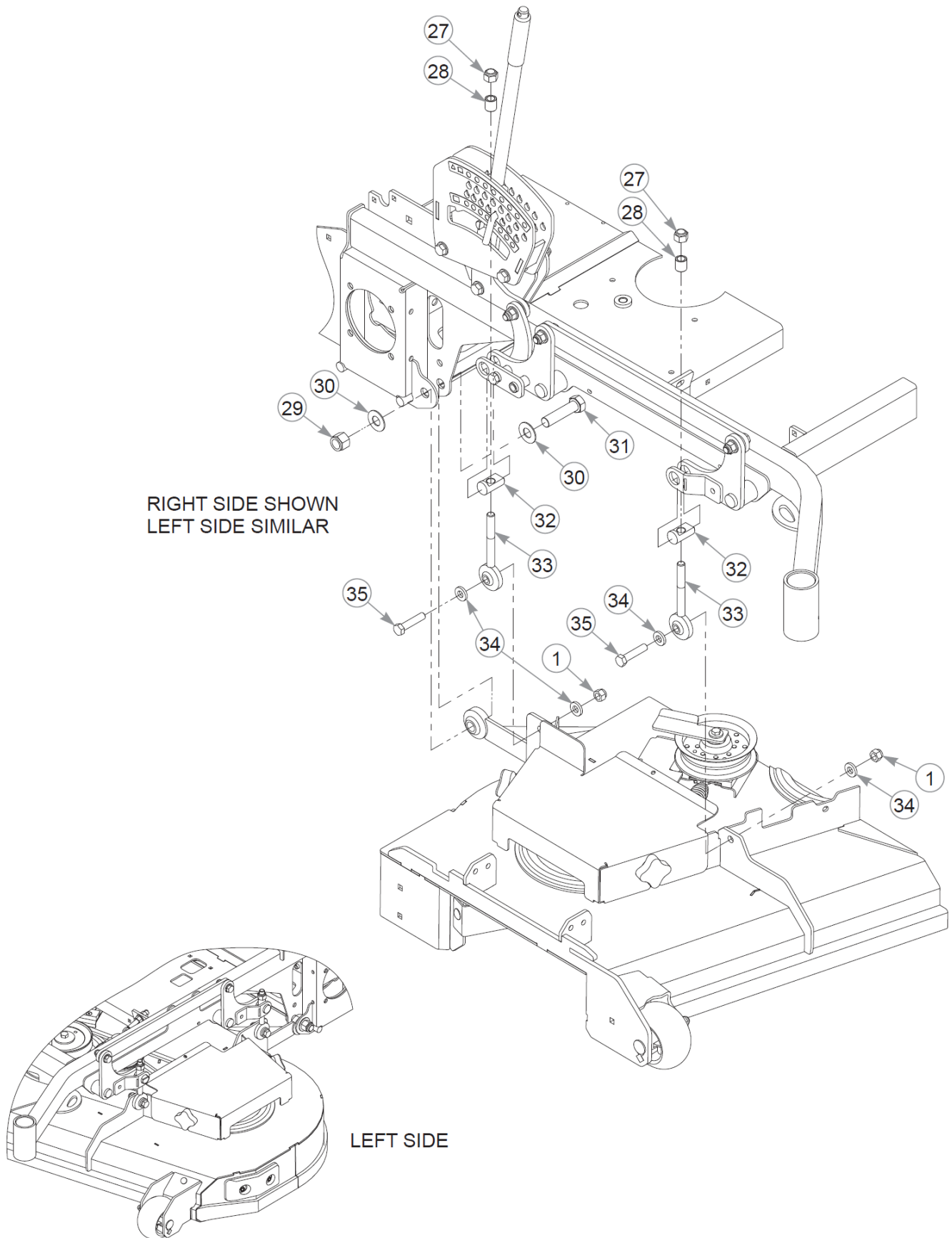


Spindle Assembly Service Parts - 607407

| Item | Part No. | Qty | Name           |
|------|----------|-----|----------------|
| 1    | 607477   | 1   | GREASE ZERK    |
| 2    | 607478   | 1   | RELIEF FITTING |



This page intentionally left blank



## Deck Lift &amp; Mounting Hardware (Multi-Page)

48" Super S Parts Manual - 940213 - HTSUPS048KAWFX691VA

| Item | Part No. | Qty | Name                     |
|------|----------|-----|--------------------------|
| 1    | 781567   | 13  | NT .500-13NLG5           |
| 2    | 004168   | 20  | FW .531x1.00x.090 ZN     |
| 3    | 608000   | 2   | BUSHING                  |
| 4    | 608321   | 1   | SLEEVE, PIVOT            |
| 5    | 017616   | 5   | CS .500-13X1.750HXG5     |
| 6    | 127118-4 | 2   | LINK, DECK LIFT          |
| 7    | 608319   | 6   | BUSHING                  |
| 8    | 608255   | 2   | CLIP E, 1.50X.822X.050   |
| 9    | 608243   | 1   | DECAL, UPR DECK HT       |
| 10   | 608244   | 1   | DECAL, LWR DECK HT       |
| 11   | 555884   | 1   | SVC, DECK HEIGHT W/A     |
| 12   | 068239   | 2   | CS .500-13X4.500HXG5     |
| 13   | 604076   | 1   | PIN, DECK HEIGHT STOP    |
| 14   | 608233   | 1   | GRIP, DECK LIFT          |
| 15   | 608320   | 1   | THUMB PLUNGER            |
| 16   | 601580   | 1   | COMPRESSION SPRING       |
| 17   | 127122-4 | 1   | HANDLE W/A               |
| 18   | 608062-4 | 1   | DECK LIFT LATCH NUT      |
| 19   | 089938   | 1   | CS .500-13X4.000HXG5     |
| 20   | 127119-4 | 1   | LINK, DECK LEVER         |
| 21   | 736983   | 1   | CS .500-13X3.000HXG5     |
| 22   | 127120-4 | 1   | DECK CRANK W/A, RH       |
| 23   | 127121-4 | 1   | DECK CRANK W/A, LH       |
| 24   | 606454   | 2   | SPRING, EXT 7.0 300LB/IN |
| 25   | 606478   | 2   | EB, .500-13X3.00 FULTHD  |
| 26   | 008193   | 4   | NT .500-13HXG5           |
| 27   | 606316   | 4   | NT 0.563-18 NLGC         |
| 28   | 606292   | 4   | DECK LEVEL SPACER        |
| 29   | 061101   | 2   | NT .750-10 HX ZN NL GR B |
| 30   | 025296   | 4   | FW .760X1.63X0.08 ZN     |
| 31   | 051169   | 2   | CS .750-10X3.000HXG5     |
| 32   | 607979   | 4   | DECK LEVEL PIVOT         |
| 33   | 606290   | 4   | W/A DECK LEVEL ROD END   |
| 34   | 767962   | 8   | FW .531 x 1.063 x .175   |
| 35   | 761544   | 4   | CS .500-13X2.250HXG8     |