

Hustler® Parts Manual



HUSTLER®
TURF EQUIPMENT

200 South Ridge Road

Hesston, Kansas

67062



NOTICE OF REQUIREMENT OF SPARK ARRESTER MUFFLER

This equipment may create sparks that can start fires around dry vegetation. California Public Resources Code Section 4442.6 provides that it is unlawful to use or operate an internal combustion engine on any forest-covered, brush-covered, or grass-covered land unless the engine is equipped with a spark arrester maintained in effective working order. A spark arrester is a device constructed of nonflammable materials specifically for the purpose of removing and retaining carbon and other flammable particles over 0.0232 of an inch in size from the exhaust flow of an internal combustion engine that uses hydrocarbon fuels or which is qualified and rated by the United States Forest Service. Other states or federal areas may have similar laws. The Operator Should Contact Local Fire Agencies For Laws or Regulations Relating to Fire Prevention Requirements. **THIS EQUIPMENT DOES NOT HAVE A SPARK ARRESTER AND YOU SHOULD CONTACT YOUR AUTHORIZED DEALER FOR THE PURCHASE OF A SPARK ARRESTER.**

Inspect spark arrester daily; replace every 500 hours or as needed.

The Engine Owner's Manual provides information regarding the U.S. Environmental Protection Agency (EPA) and the California Emission Control Regulation of emission systems, maintenance and warranty.

Keep Engine Owner's Manual with your unit. Should the Engine Owner's Manual become damaged or illegible, replace immediately. Replacements may be ordered per the information found in the Product Information section of the owner's manual.

Federal law and California State law prohibit the following acts or the causing thereof:

1. The removal or rendering inoperative by any person other than for purposes of maintenance, repair, replacement, of any device or element of design incorporated into any equipment for the purposes of emissions control prior to or after its sales or delivery to the ultimate purchaser or while it is in use, or
2. The use of the equipment after such device or element of design has been removed or rendered inoperative by any person.

General Information	1
Frame, Foot Platform & Tower Pad	
Frame	3-1
Operator Platform (Multi-Page)	3-2
Hydraulic System, Drive Belt, Clutch, Steering & Brake	
Hydraulic System & Hydraulic Oil Filter	4-1
Reservoir Assembly	4-2
Left Pump Assembly	4-3
Right Pump Assembly	4-4
Hydraulic Pump Service Parts	4-5
Wheel Motor Assembly Breakdown	4-6
Pump Drive, Drive Belt & Clutch	4-7
Steering (Multi-Page)	4-8
Brake	4-9
Wheels, Tires & Fenders	
Wheels & Tires	5-1
Front Wheel Assembly	5-2
Drive Wheel Assembly	5-3
Engine, Muffler & Fuel System	
Engine & Muffler	6-1
Engine Service Parts - FS541V	6-2
Fuel System	6-3
Fuel Tank Service Parts - 606167	6-4
Instrument Panel, Wire Harness & Battery	
Instrument Panel & Wire Harness	7-1
Battery	7-2
Deck, Deck Belt, Blades, Deck Lift & Mounting	
Service Deck	8-1
Deck Pulleys & Spindles	8-2
Spindle Assembly Service Parts - 607407	8-3
Deck Belt, Discharge Chute, Pulley Covers, & Blades (Multi-Page)	8-4
Deck Lift & Mounting Hardware (Multi-Page)	8-5

General Information

Note: When ordering parts, you must use the part number as shown for each part, not the index number. Always give the model and serial number to your parts and service representative.

Note: Items sold in bulk such as seals and hoses are sold by the foot.

Using This Manual

This manual is part of a service package for the Hustler® mowers. Use of this manual in conjunction with other Hustler® mower and component manuals will provide the information necessary to service and maintain Hustler® mowers.

This Parts Manual provides a complete parts listing for the unit. Use this manual when ordering parts. Illustrations used were current at the time of printing, but subsequent production changes may cause your machine to vary slightly in detail. Excel Industries, Inc. reserves the right to redesign and change the machine as deemed necessary, without notification. If a change has been made to your machine which is not reflected in this parts manual, see your authorized dealer for current information and parts.

The Service Manual is a service guide for use by Service Technicians. It provides the necessary information needed to perform normal maintenance requirements on these units.

The Operator's Manual provides fundamental operational information and operational safety that is needed when operating the mower.

The component manuals are furnished by the various manufacturers to be used for the troubleshooting and servicing of their products.

Hardware Description Codes & Abbreviations

The following codes are used throughout this parts manual. Refer to this list when ordering parts.

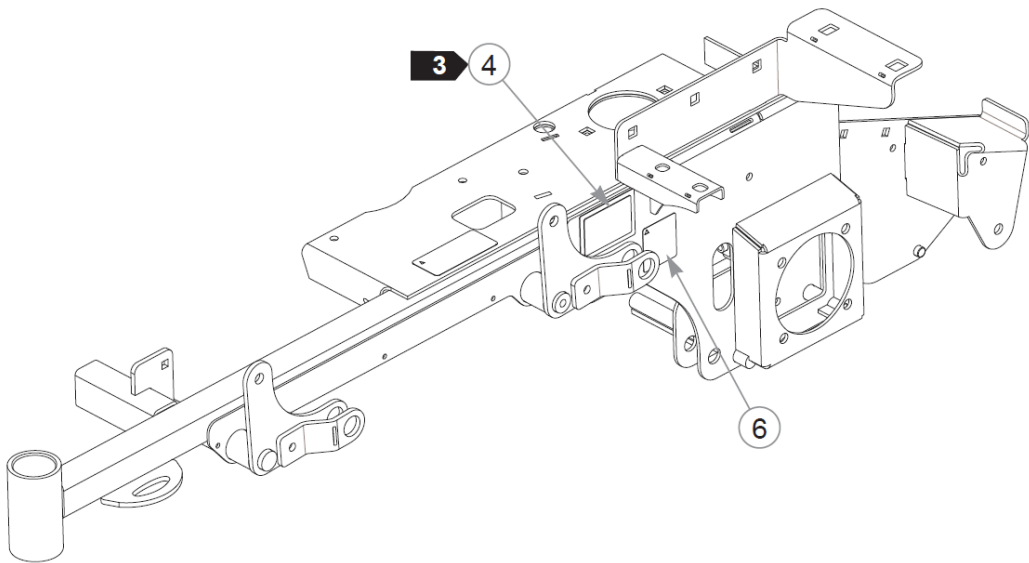
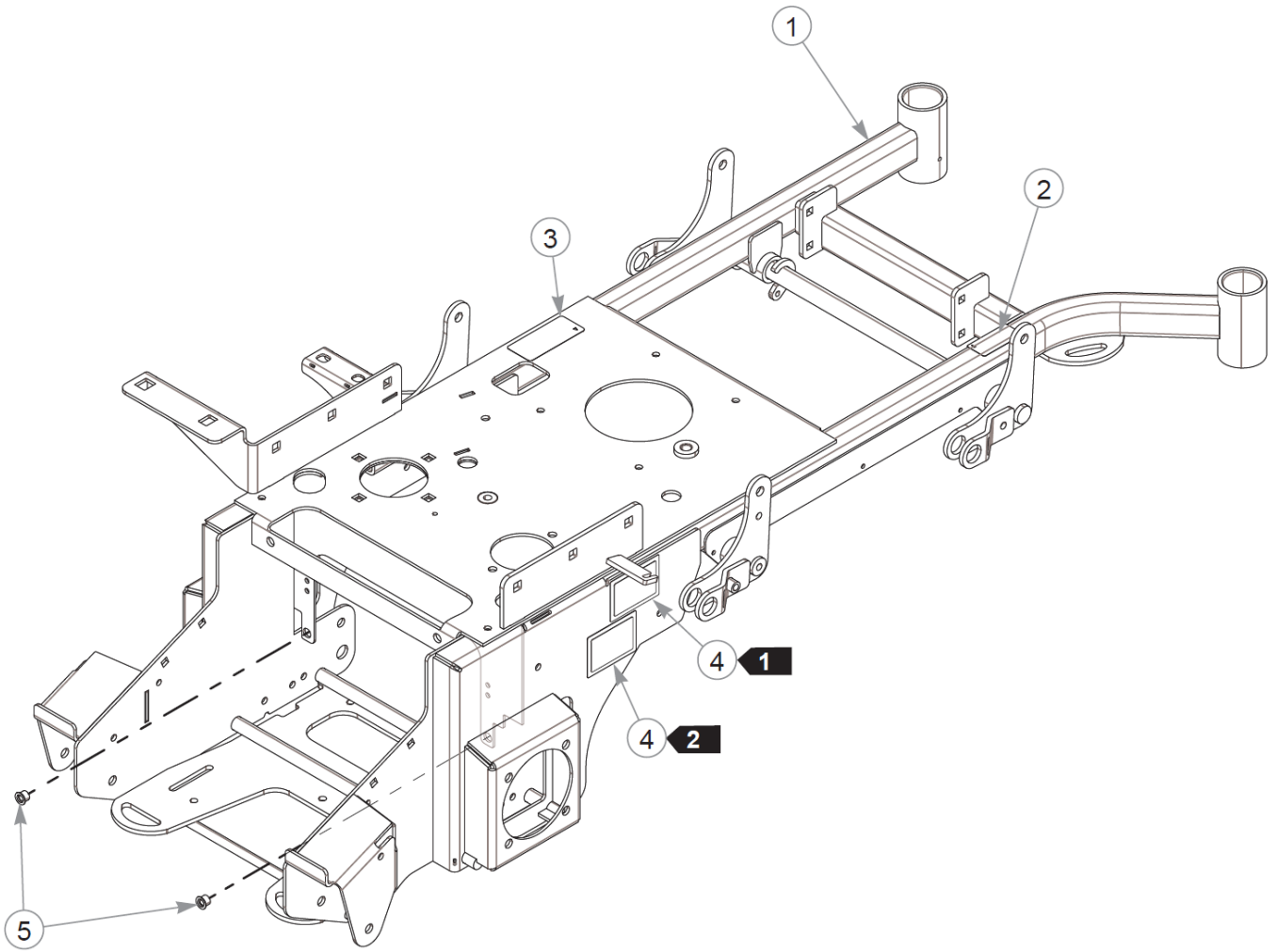
ABBREVIATION	DESCRIPTION	ABBREVIATION	DESCRIPTION
CB	CARRIAGE BOLT	MB	MACHINE BUSHING
CE	CLEVIS PIN	MS	MACHINE SCREW
CN	CLIP NUT	NT	NUT
CP	COTTER PIN	SC	SELF TAPPING CAP SCREW
CS	CAP SCREW	SH	SOCKET HEAD
CW	CUP WASHER	SB	SHOULDER BOLT
FDRW	FENDER WASHER	SS	SET SCREW
FW	FLAT WASHER	OD	OUTSIDE DIAMETER
HX	HEX HEAD	ID	INSIDE DIAMETER
LW	LOCK WASHER	WN	WELD NUT

Standard Torques

The following chart lists the standard torque values for the threaded fasteners found in this manual. Torque all cap screws, nuts and set screws to these values unless a different torque is shown in the Notes section next to the fastener.

SIZE	FT-LBS	N•M	SIZE	FT-LBS	N•M
.250	8.2	11.1	M3	1	1.3
.312	17	23	M4	2.2	3
.375	30	40	M5	4.5	6.1
.438	48	65	M6	7.7	10.4
.500	73	99	M8	18.5	25
.562	105	143	M10	37	50
.625	145	200	M12	64	87
.750	260	350	M14	80	108.5
.875	420	565	M16	160	215
1.00	625	850	M20	320	435
			M24	555	750

This page intentionally left blank

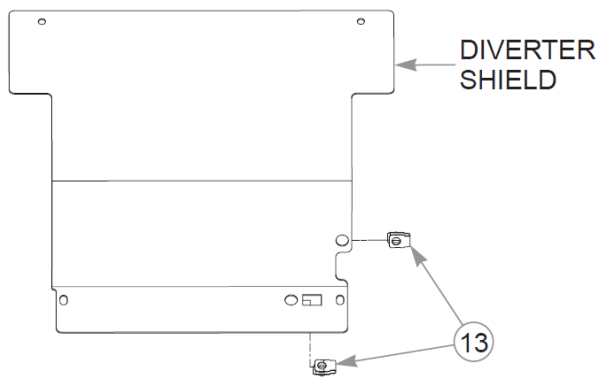
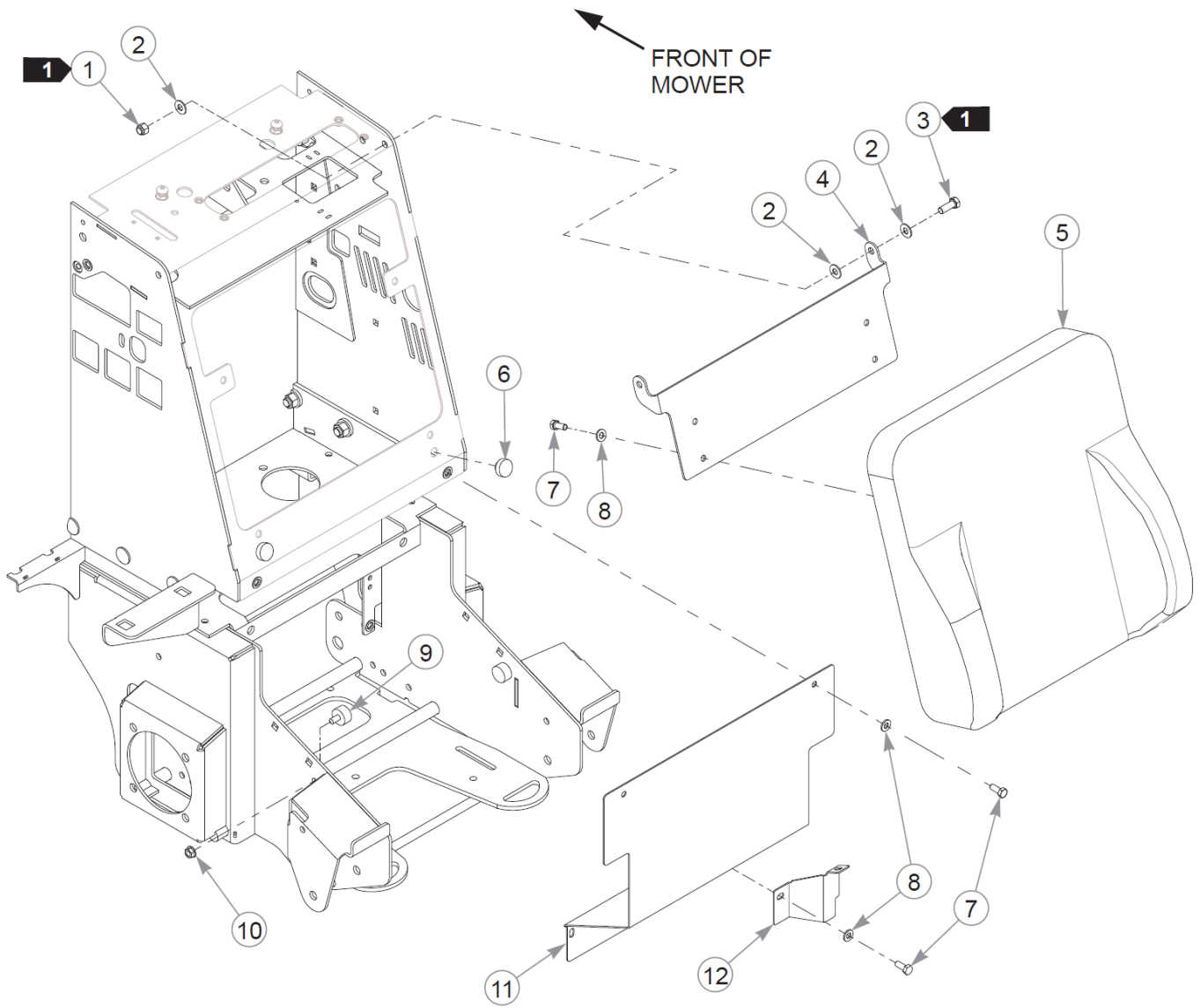


Frame

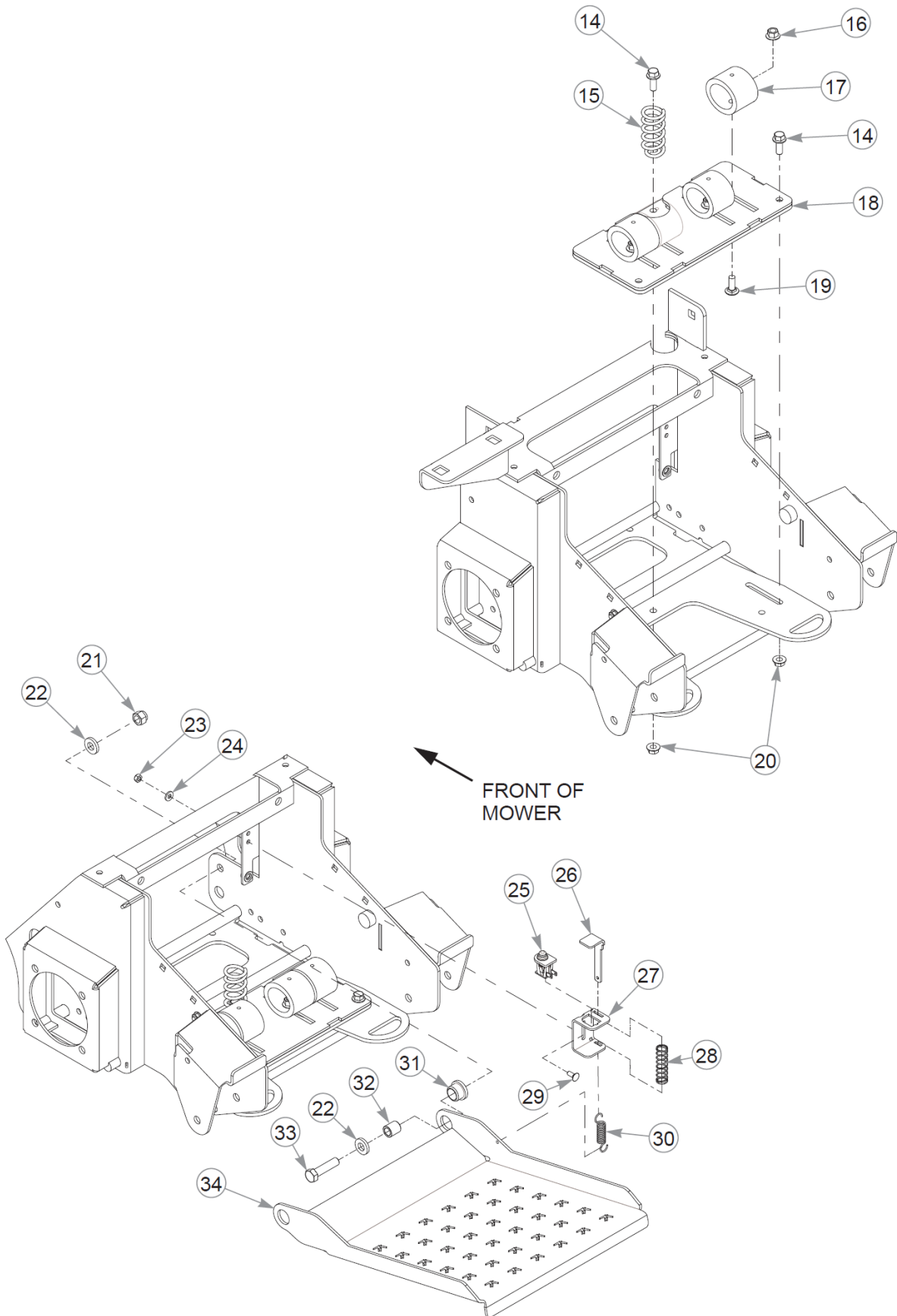
Item	Part No.	Qty	Name
1	554267	1	SVC FRAME, 36"
2	602041	1	DECAL, HOT
3	606323	1	DECAL, ENGINE PLATE
4	N/A	3	SERIAL NUMBER / SPEC DECAL
5	808485	2	RIVET NUT, 5/16-18 THRE
6	607782	1	DECAL, DBA 115 ISO

Comments for Page: Frame

1. Serial number decal. In the event the serial number decal becomes damaged or illegible, please contact your dealer to order a replacement.
2. EPA compliance decal.
3. Patent number decal.
4. The frame includes the decals.



This page intentionally left blank

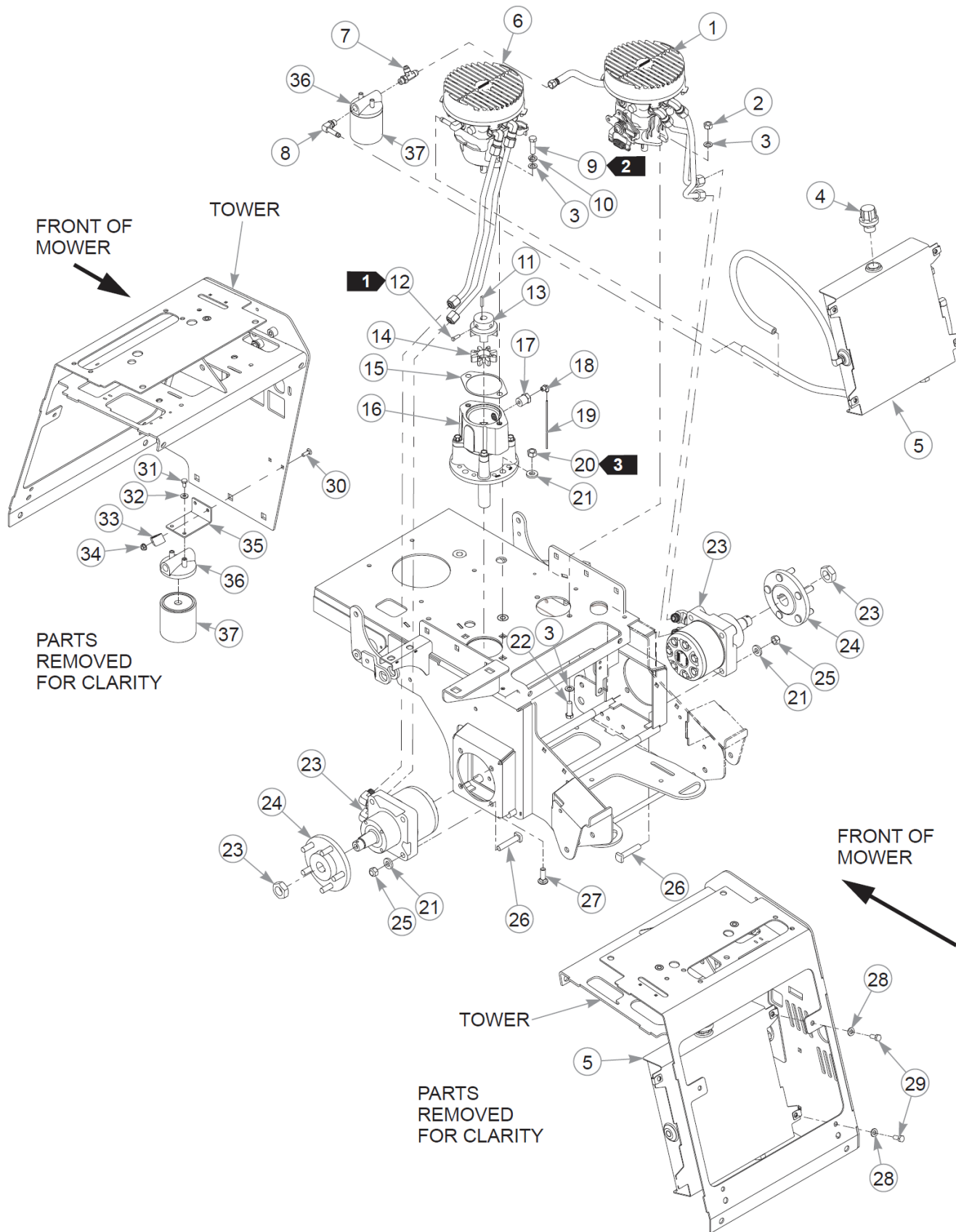


Item	Part No.	Qty	Name
1	086660	2	NT .375-16NLG8
2	767954	6	FW 0.379X.82X.06 HD ZN
3	036244	2	CS .375-16X1.00 HX G5 ZN
4	122580	1	PAD MOUNT
5	608335	1	OPERATOR PAD, W/BOLSTERS
6	781880	2	BUMPER, .500x 1.00x .31
7	034280	10	CS .312-18X0.750HXG5
8	768523	10	FW 0.343SAE
9	605960	2	ISOLATOR, 1.00" DIA
10	016832	2	NT .312-18FLKG5
11	122663	1	DIVERTER SHIELD
12	122785	1	SPRING SHIELD
13	601069	2	CN .312-18x.200 MAX THK
14	029751	3	CS .375-16X1.00 HXF G5ZN
15	606286	1	SPRING
16	604515	4	NT .375-16 FL NY GF
17	608252	4	BUMPER
18	127213-1	1	SPRING PLT W/A
19	025395	4	CB .375-16X 1.00 G5 ZN
20	016899	3	NT .375-16 FLKG5
21	781567	2	NT .500-13NLG5
22	767962	4	FW .531 x 1.063 x .175
23	068551	2	NT .250-20 HXZY NL
24	768515	2	FW 0.281SAE
25	606262	1	SWITCH, N.O. PLUNGER
26	122625	1	OPC PLUNGER BRKT
27	122626	1	OPC SWITCH MOUNT
28	601580	1	COMPRESSION SPRING
29	601503	2	CB .250-20 X .625 ZN
30	034652	1	SPRING 2.5
31	781153	2	BUSHING, UHMW
32	122241	2	FLOOR PAN PIVOT
33	078949	2	CS .500-13X2.000 FUL HX
34	122082	1	FLOOR PAN

Comments for Page: Operator Platform (Multi-Page)

1. Tighten the hardware so that the operator pad will pivot, but hold its position when lifted.

This page intentionally left blank



Item	Part No.	Qty	Name
1		1	REFER TO "RIGHT PUMP ASSEMBLY BREAKDOWN"
2	041707	2	NT .437-14HXG5
3	704742	6	FW 0.453X.81X.06 ZN
4	606198	1	OIL RES BREATHER
5		1	REFER TO "RESERVOIR ASSEMBLY BREAKDOWN"
6		1	REFER TO "LEFT PUMP ASSEMBLY BREAKDOWN"
7	763953	1	FTG T,-6 O-RING/-6J
8	787465	1	FTG, 90°-6MORB/-6BT
9	606200	2	CS .437-20X1.50 HXG5
10	606176	2	LW .437 MED ZC
11	768127	1	KEY 5mm x30mm RADIUS EN
12	606263	2	SS .250-20 X .750 SQ
13	606184	1	PUMPSIDE COUPLING
14	605980	1	LH100 SPIDER 92A YELLOW
15	606266	1	JACKSHAFT GASKET
16	606183	1	JACKSHAFT ASSEMBLY
17	606327	1	FTG, 1/2X1/8 PTR-S VIBRA
18	606267	1	FTG, W369PLP-2-2 NPT
19	606353	1	NYLON TUBE, 1/8"
20	008193	4	NT .500-13HXG5
21	767962	12	FW .531 x 1.063 x .175
22	705186	2	CS .437-14X1.375HXG5
23		2	REFER TO "WHEEL MOTOR ASSEMBLY BREAKDOWN"
24	773002	2	HUB, 5-BOLT REAR 4WD
25	023317	8	NT .500-13UNTG8
26	602256	8	CS .500-13X2.500 SQ G5
27	028274	4	CB .500-13X 1.500 FULL
28	768523	4	FW 0.343SAE
29	034280	4	CS .312-18X0.750HXG5
30	794784	2	CB .250-20 X .75 FUL ZN
31	055947	2	CS .250-20X0.50 HX G5 ZN
32	768515	2	FW 0.281SAE
33	043570	1	CLIP - HOSE - SINGLE(FS)
34	016816	2	NT .250-20FLKG5
35	122481	1	BRACKET, OIL FILTER
36	768333	1	FILTER HEAD ZINGA BF SE

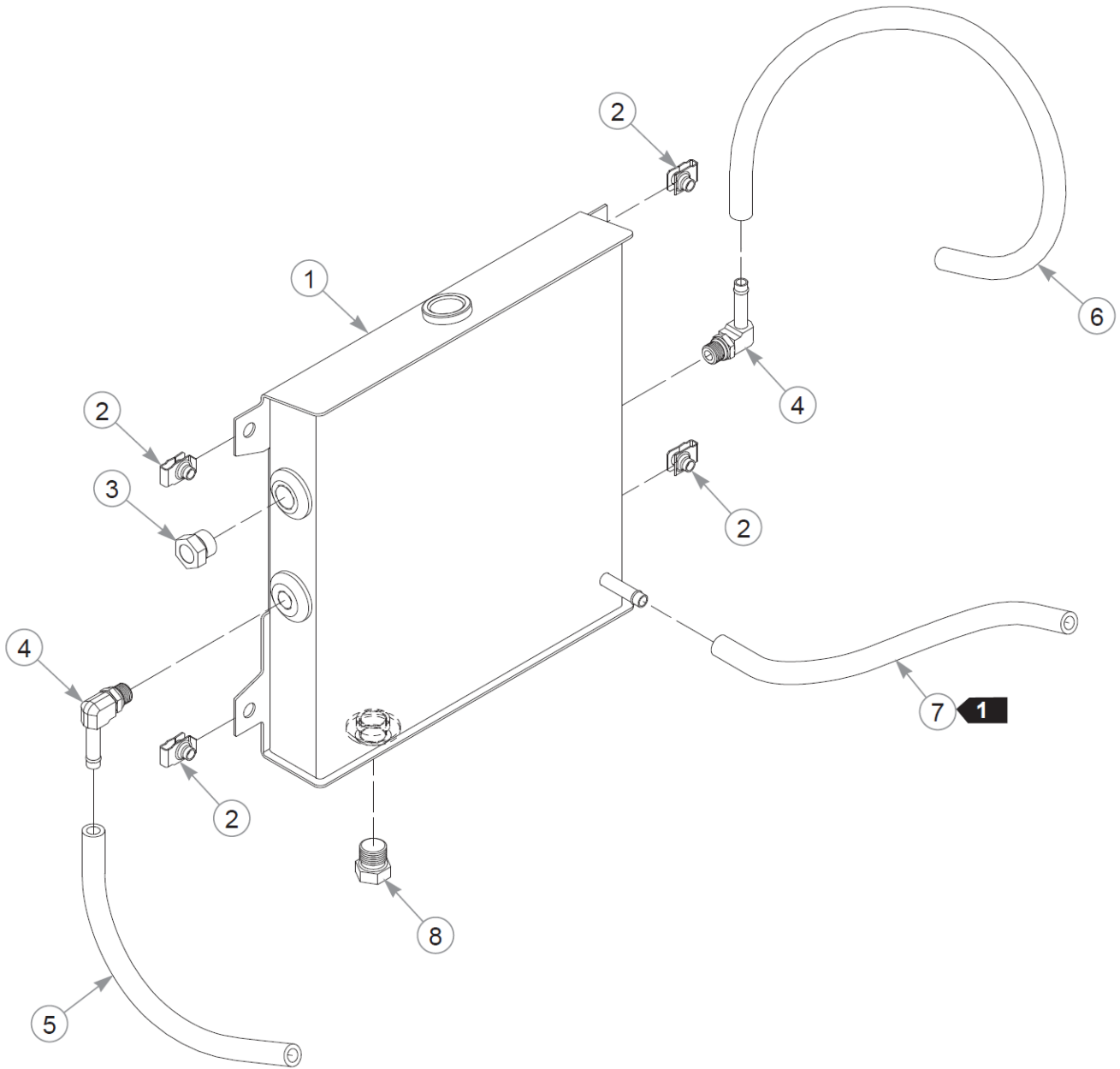
This page intentionally left blank

Item	Part No.	Qty	Name
37	768341	1	HYDRAULIC OIL FILTER

Comments for Page: Hydraulic System & Hydraulic Oil Filter

1. Torque to 8–9 ft-lbs.2. Torque to 30–32 ft-lbs.3. Torque to 73 ft-lbs.

Reservoir Assembly



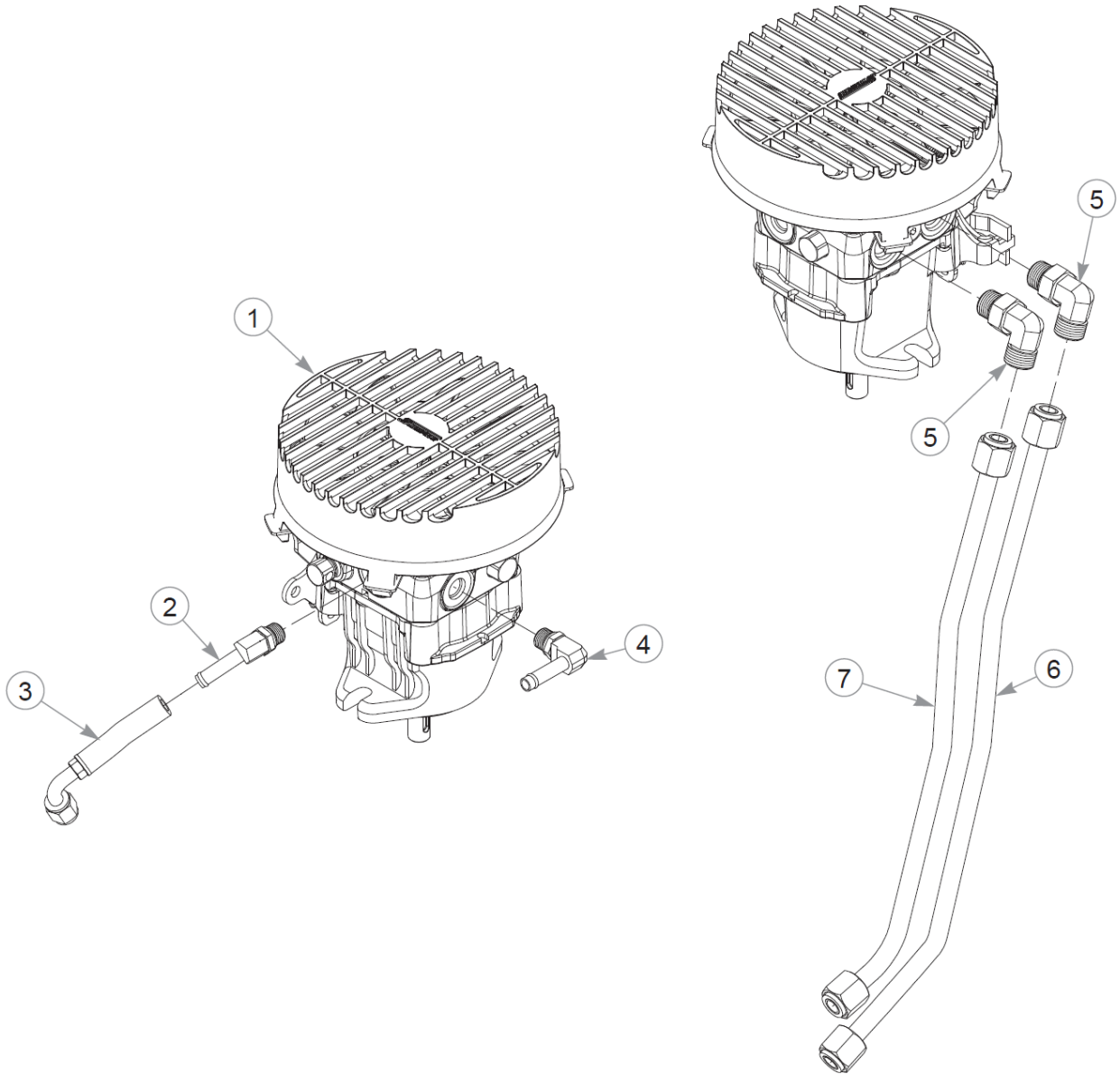
Reservoir Assembly

Item	Part No.	Qty	Name
1	606238	1	RESERVOIR W/A
2	601069	4	CN .312-18x.200 MAX THK
3	606249	1	FTG, SIGHT GLASS
4	787465	2	FTG, 90°-6MORB/-6BT
5	606109	1	RH PUMP RETURN HOSE
6	606108	1	LH PUMP RETURN HOSE
7	606110	1	MAIN SUCTION HOSE
8	781658	1	FTG, -8MORB/HEX PLUG

Comments for Page: Reservoir Assembly

1. The hose (606110) comes with an AS-B protective sleeve.

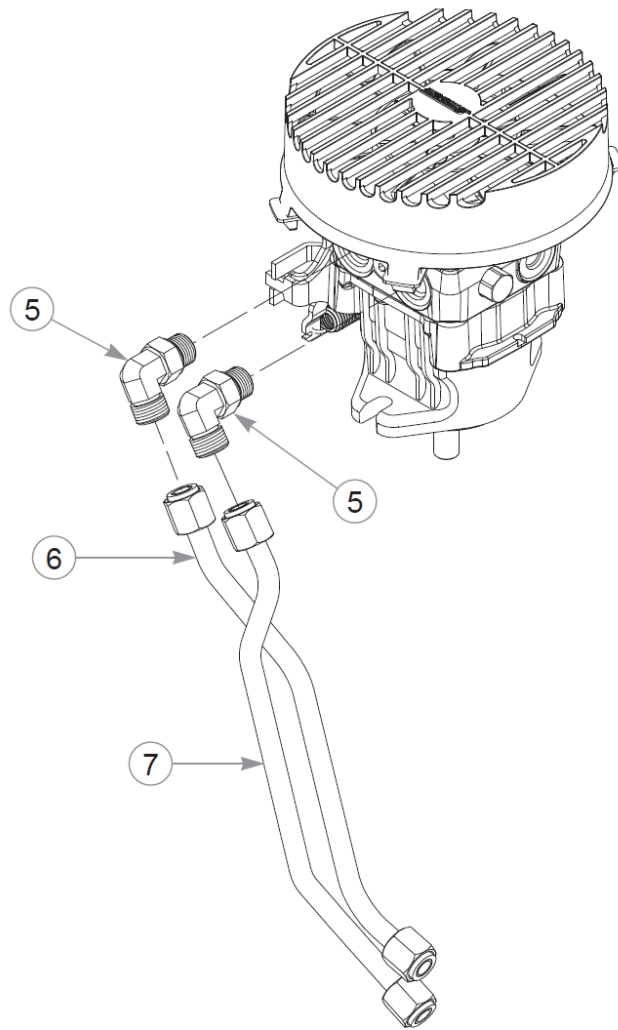
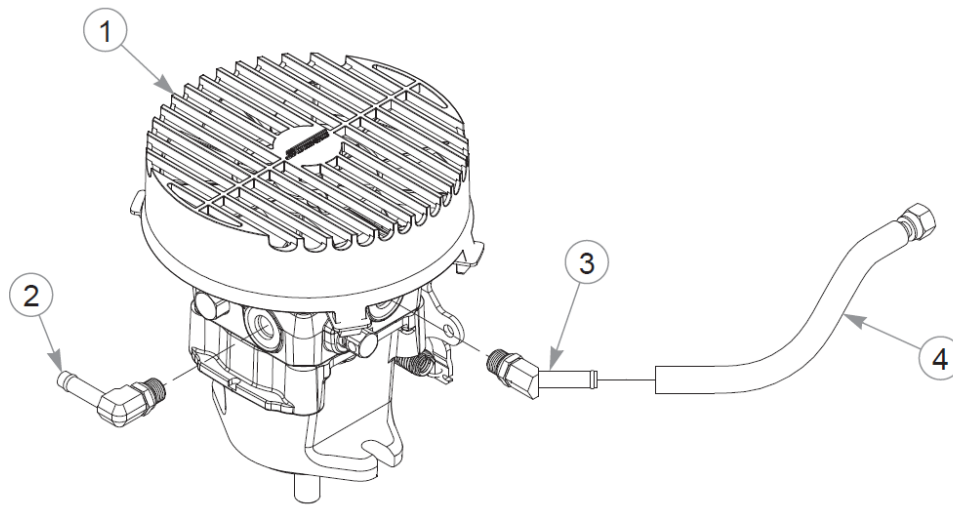
Left Pump Assembly



Left Pump Assembly

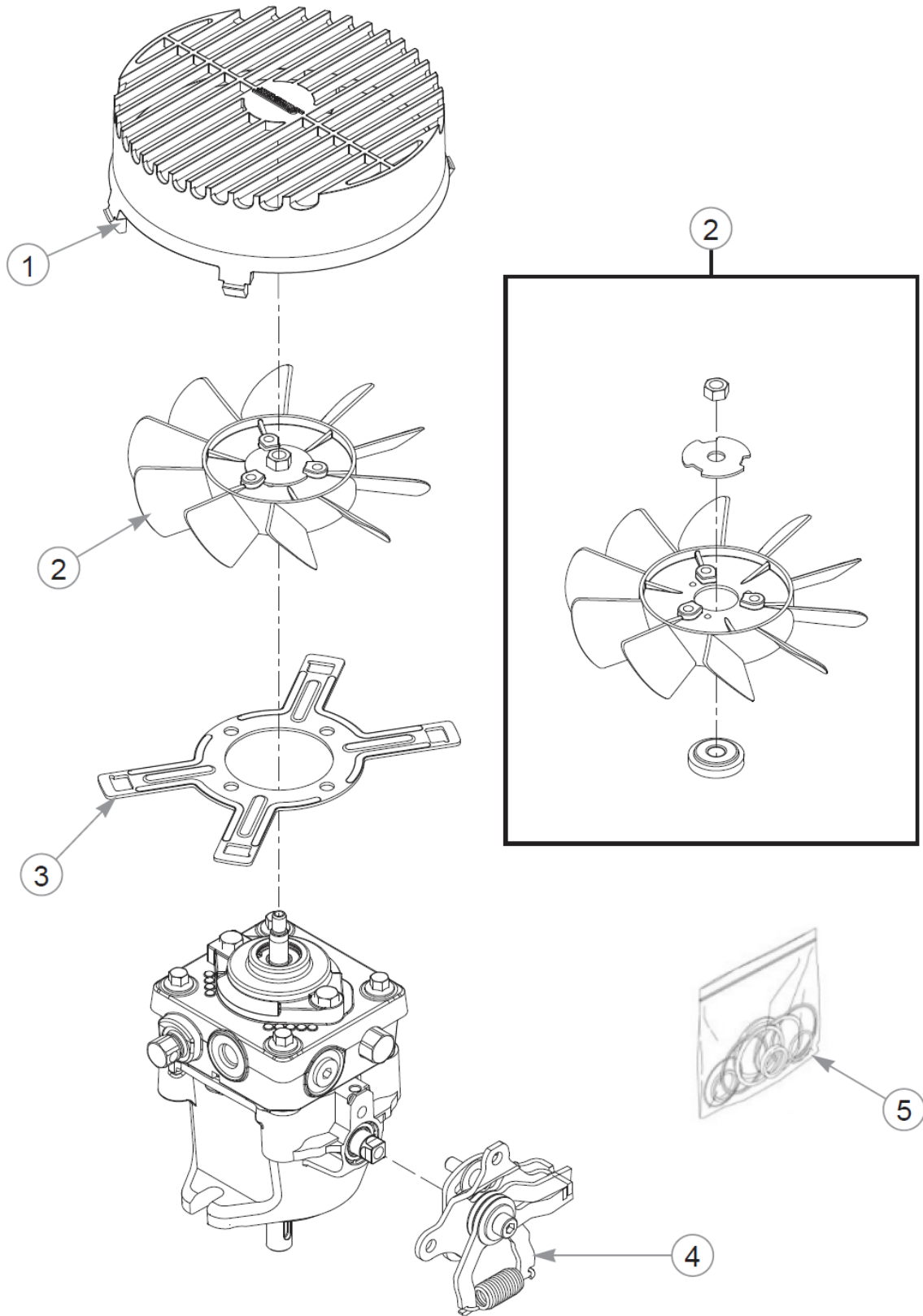
Item	Part No.	Qty	Name
1	605259	1	PUMP, HG 10cc W/ FAN -HH
2	784108	1	FTG, 45°-6MORB/-6BT
3	606111	1	LH PUMP SUCTION HOSE
4	787465	1	FTG, 90°-6MORB/-6BT
5	781542	2	FTG, 90°-8MORB/-8MORFS
6	606272	1	TUBE, RP-BM LH LOOP
7	606271	1	TUBE, LP-TM LH LOOP

Right Pump Assembly



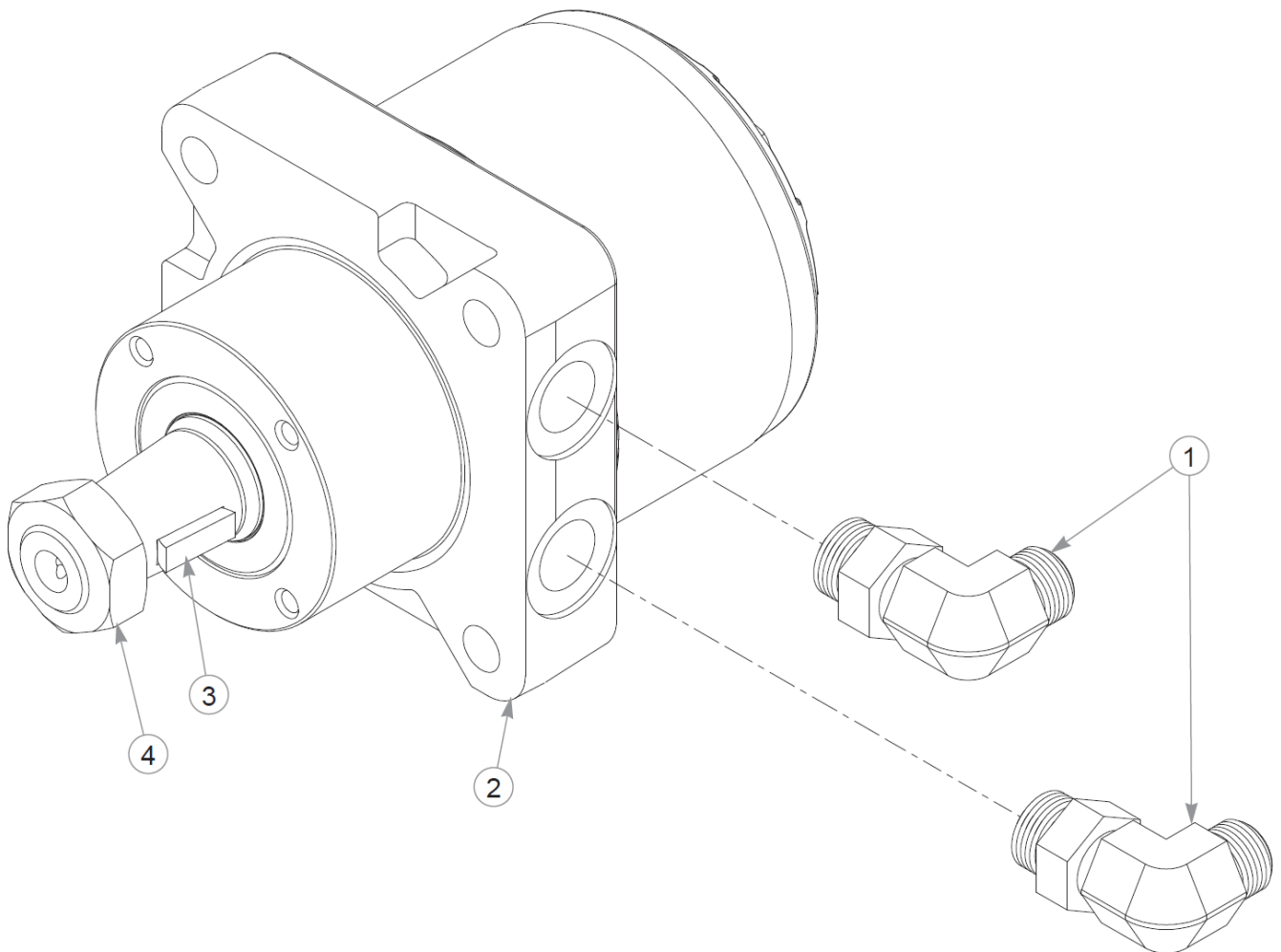
Right Pump Assembly

Item	Part No.	Qty	Name
1	605260	1	PUMP, HG 10cc W/FAN-HH
2	787465	1	FTG, 90°-6MORB/-6BT
3	784108	1	FTG, 45°-6MORB/-6BT
4	606112	1	RH PUMP SUCTION HOSE
5	781542	2	FTG, 90°-8MORB/-8MORFS
6	606270	1	TUBE, LP-TM RH LOOP
7	606269	1	TUBE, RP-BM RH LOOP



Hydraulic Pump Service Parts

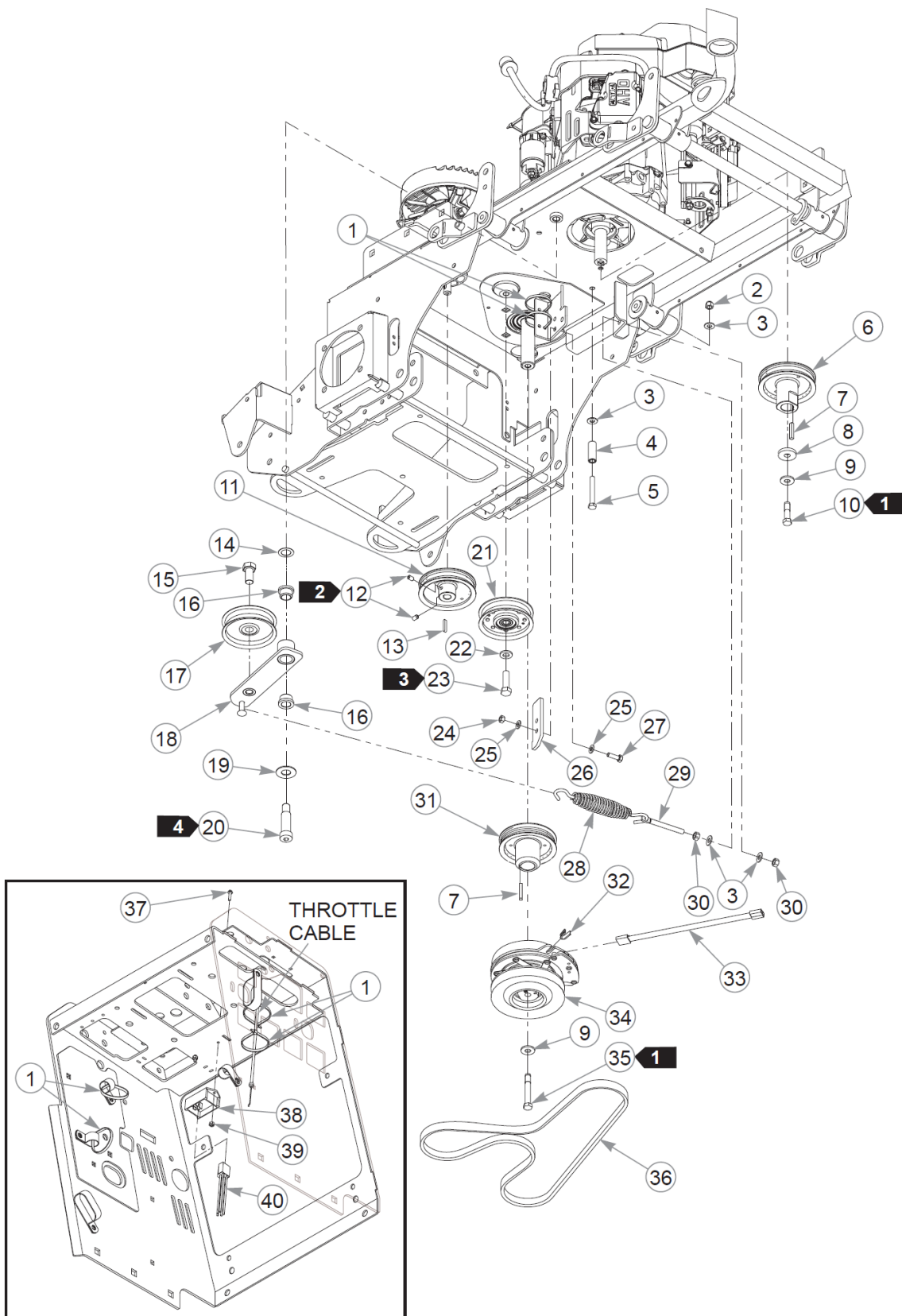
Item	Part No.	Qty	Name
1	606348	1	FAN SHROUD, 7"
2	606347	1	FAN KIT, 7"
3	606349	1	FAN MOUNT
4	606350	1	KIT, RTN, STD SCISSOR
5	780718	1	SEAL KIT, PG/PJ PUMPS



Wheel Motor Assembly Breakdown

36" Super S Parts Manual - 940205 - HTSUPS036KAWFS541VA

Item	Part No.	Qty	Name
1	781526	2	FTG, 90°-10MORB/-8MORFS
2	606201	1	MOTOR, TL0195 - HH
3	064337	1	ROSS WOODRUFF KEY
4	065516	1	ROSS NUT



Pump Drive, Drive Belt & Clutch

Item	Part No.	Qty	Name
1	000331	7	WIRE TIE, SMALL/SHORT
2	086660	1	NT .375-16NLG8
3	767954	4	FW 0.379X.82X.06 HD ZN
4	604290	1	SPACER, CYLINDER
5	705731	1	CS .375-16X2.750G5
6	606162	1	PULLEY, 4.50" OP MICRO V
7	212076	2	KEY 1/4 SQ X 1.50 LG(FS)
8	606259	1	FW .485X1.46X.25 ZY
9	602680	2	FW .453X1.12X.12 HRD ZN
10	606175	1	CS .437-20X1.75 HXG5 P85
11	606164	1	PULLEY, 4.50" OP MICRO V
12	606260	2	SS .312-18 X .500 SH
13	768127	1	KEY 5mm x30mm RADIUS EN
14	704791	1	FW .781X1.25X.02 ZN
15	781872	1	CS .625-11X1.250HXG5
16	781153	2	BUSHING, UHMW
17	601488	1	PULLEY, 4" FLAT IDLER
18	122528	1	IDLER ARM, W/A
19	025296	1	FW .760X1.63X0.08 ZN
20	601084	1	SB .750X 2.000 SH.625-11
21	606066	1	PULLEY, 4" FLAT IDLER
22	606256	1	FW .515X1.00X.13 ZN
23	017616	1	CS .500-13X1.750HXG5
24	034272	2	NT .312-18HXG5
25	768523	4	FW 0.343SAE
26	606435	1	CLUTCH ANCHOR
27	036236	2	CS .312-18X1.000HXG5
28	606380	1	SPRING, EXT INS HOOK
29	601486	1	EB, .375-16X3.00 FULTHD
30	054502	2	NT .375-16HXG5
31	606163	1	PULLEY, 4.50" OP MICRO V
32	605595	1	BUSHING, CLUTCH
33	606430	1	HARNESS, CLUTCH PIGTAIL
34	608014K	1	CLUTCH KIT
35	785048	1	CS .437-20X3.00 HXG5 P85
36	606372	1	DRIVE BELT

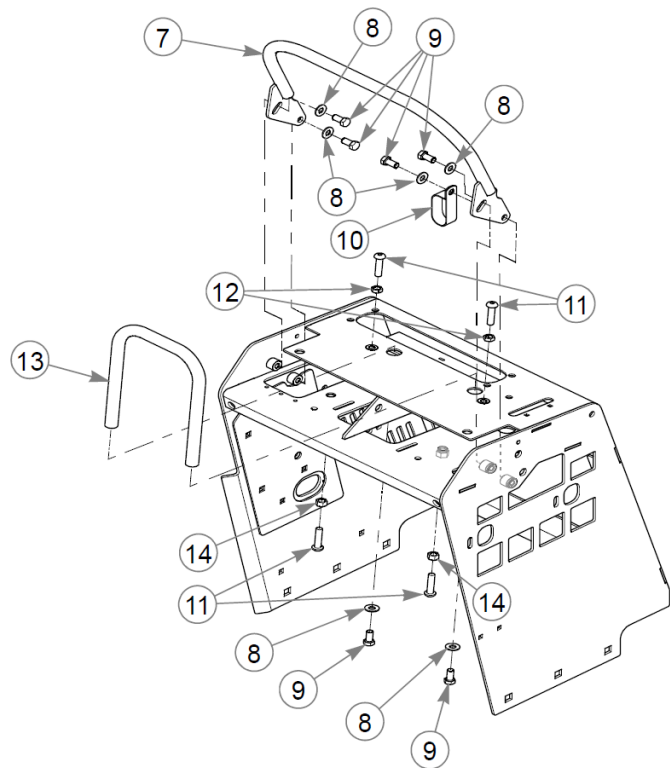
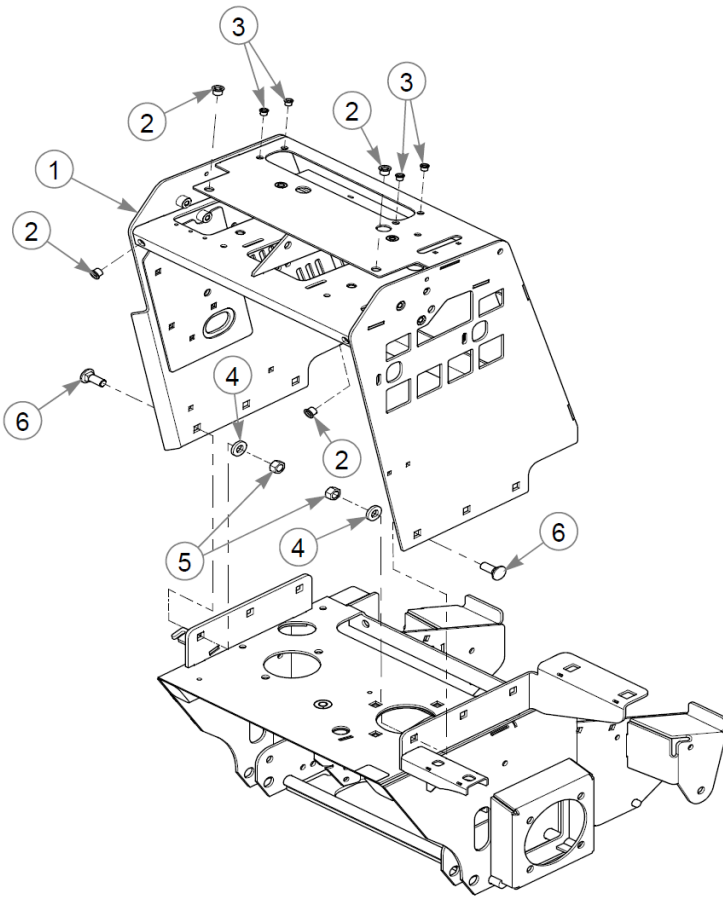
This page intentionally left blank

Pump Drive, Drive Belt & Clutch

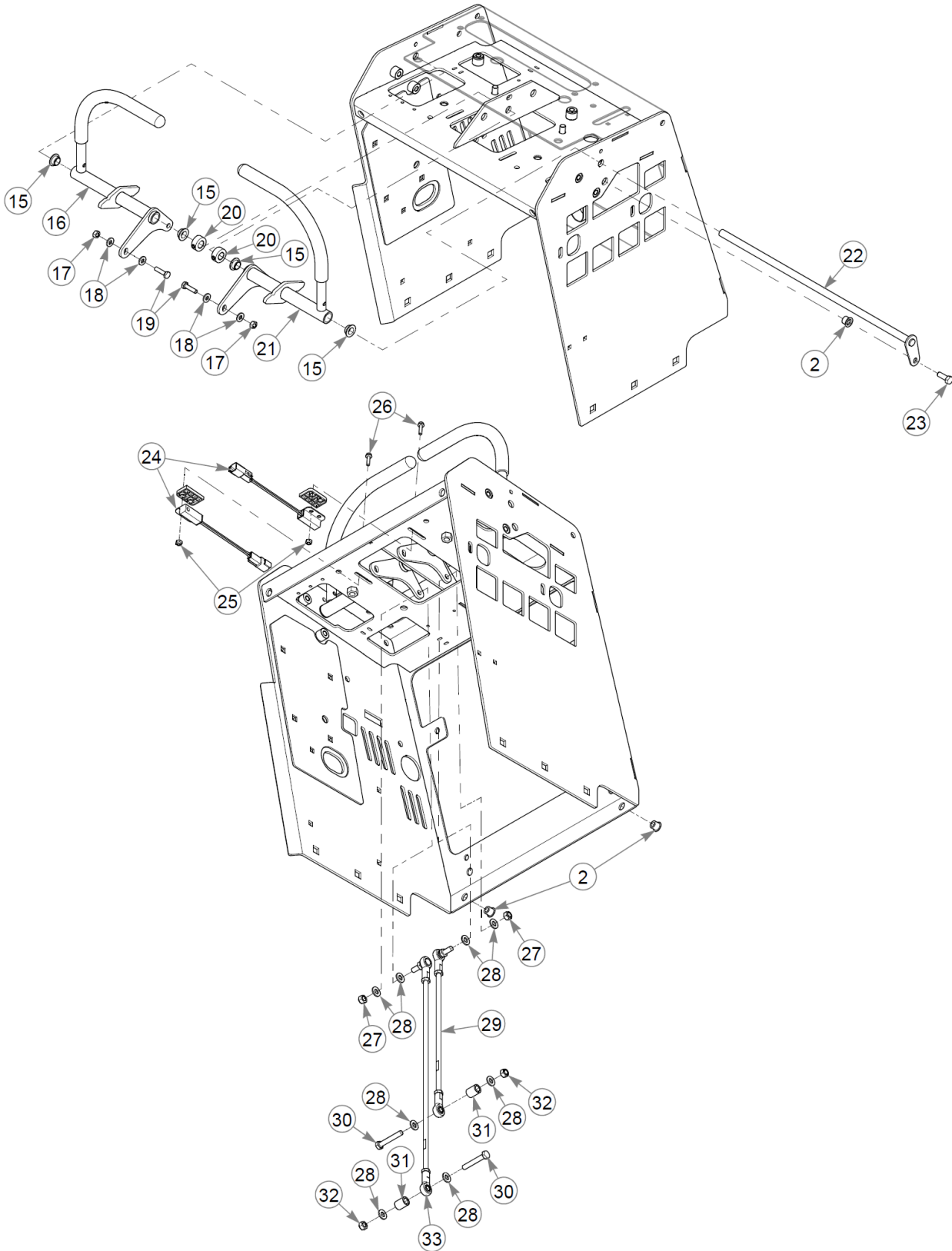
Item	Part No.	Qty	Name
37	606429	2	MS #8-32X.750 HX WH
38	606420	1	SOFT START MODULE
39	605208	2	NT #8-32 HX G2 NL ZN
40	606419	1	SOFT START PIGTAIL
41	606443	1	WIRE TIE, V. SMALL/V. SH

Comments for Page: Pump Drive, Drive Belt & Clutch

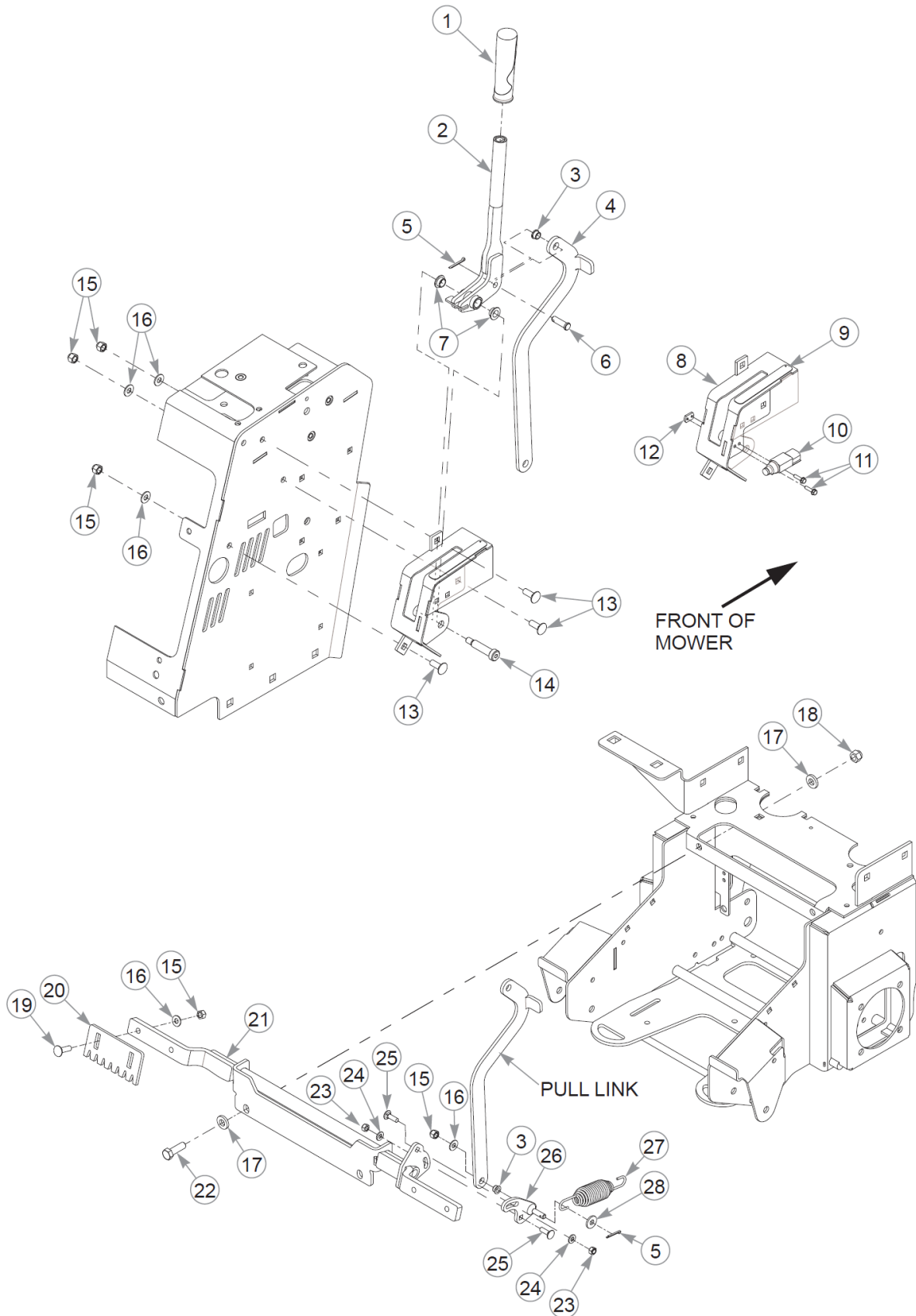
1. Torque to 45–48 ft-lbs. Replace (do not reuse) the cap screw if it is removed or loosened. Use only hand tools to install this fastener.
2. Torque to 12–15 ft-lbs.
3. Torque to 73 ft-lbs.
4. Torque to 100 ft-lbs. The idler arm should pivot freely.



This page intentionally left blank

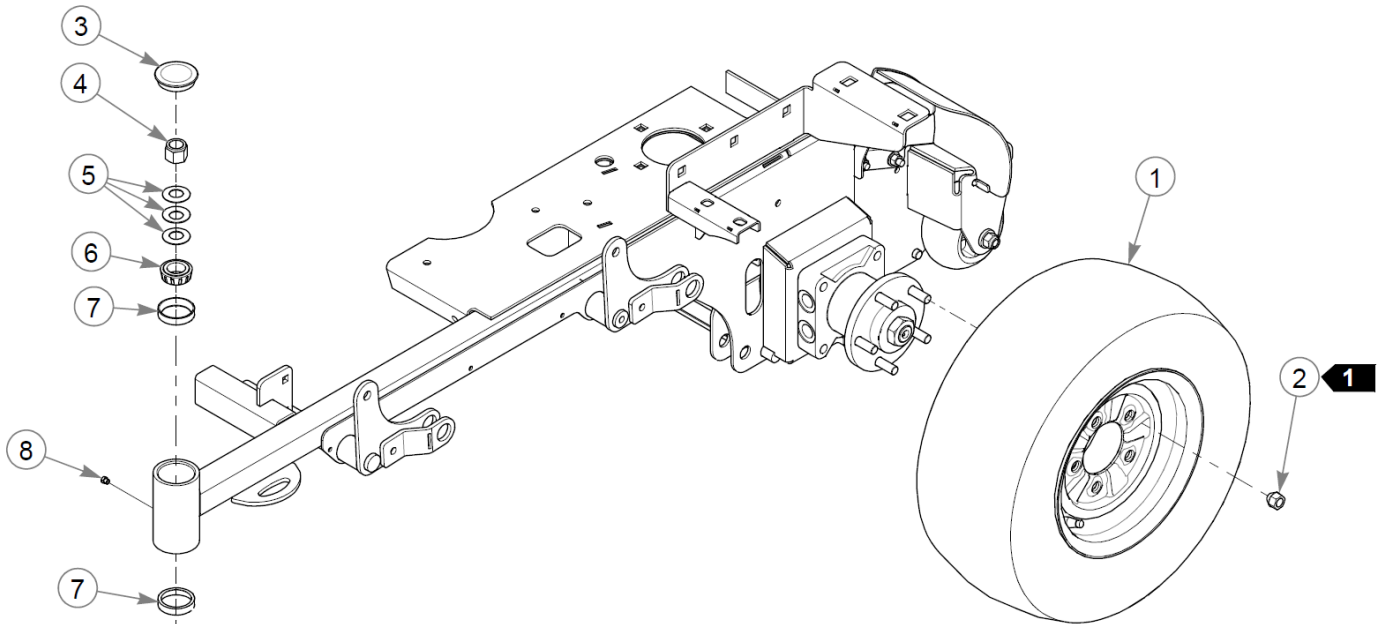


Item	Part No.	Qty	Name
1	122593	1	W/A CONTROL TOWER
2	808485	7	RIVET NUT, 5/16-18 THRE
3	808477	4	RIVET NUT, 1/4-20 THREA
4	767962	6	FW .531 x 1.063 x .175
5	008193	6	NT .500-13HXG5
6	605869	6	CB 0.500-13 X 1.250 G5
7	120249	1	STOP-FWD W/A
8	767954	6	FW 0.379X.82X.06 HD ZN
9	055822	6	CS .375-16X0.75 HX G5 ZN
10	045088	1	HOSE CLAMP 1" (FS)
11	604816	4	CS .375-16X1.5 BH ZN
12	706168	2	NT .375-16JAMG5
13	120252	1	STOP-REAR W/A
14	054502	2	NT .375-16HXG5
15	768259	4	BUSHING,IGUS#0810 (FS)
16	606369	1	STEER LEVER W/ GRIP
Not Shown	605961	1	GRIP, STEER LEVER
17	024927	2	NT .250-20HXG5
18	768515	4	FW 0.281SAE
19	056077	2	CS .250-20X1.000HXG5
20	788554	2	LOCK COLLAR, .500x1.000
21	606368	1	STEER LEVER W/ GRIP
Not Shown	605961	1	GRIP, STEER LEVER
22	121930	1	W/A, STEERING PIVOT
23	064014	1	CS .312-18X0.875HXG5
24	605325	2	SWITCH, PROX
25	059832	4	NT #10-24 HX NL ZN
26	063198	4	CS #10-24X0.750FLKG5
27	023655	2	NT 0.312-24 NL G8
28	768523	8	FW 0.343SAE
29	606280	1	PUMP ADJUSTMENT ROD
30	064345	2	CS .312-18X2.000HXG5
31	606285	2	SPACER, .375X.625X.800
32	058776	2	NT .312-18NLG5
33	606281	1	PUMP ADJUSTMENT ROD
34	000331	4	WIRE TIE, SMALL/SHORT

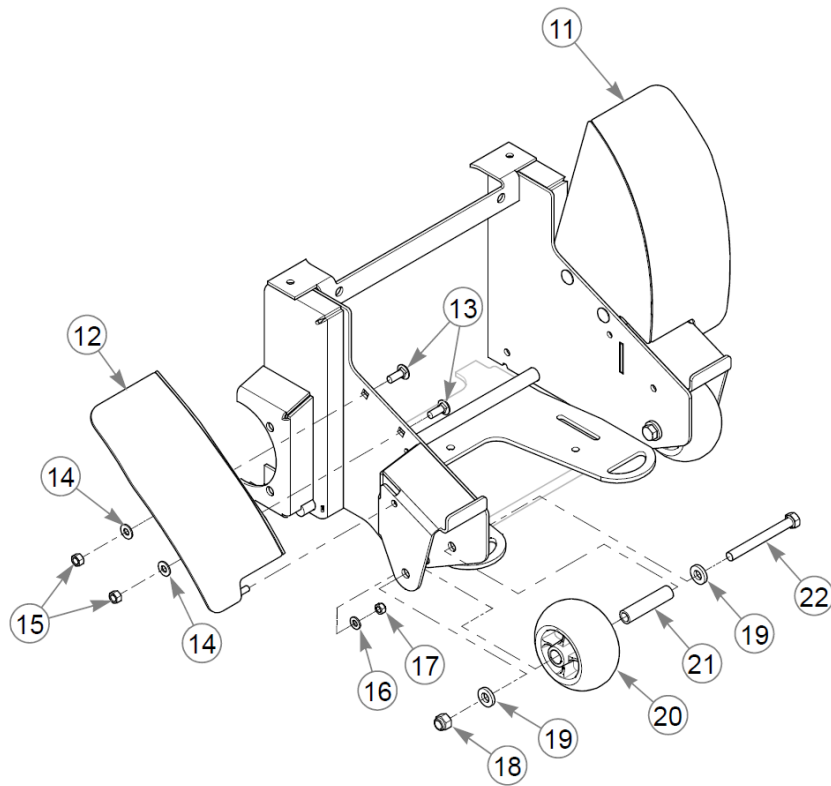


Brake

Item	Part No.	Qty	Name
1	606258	1	GRIP, PARK BRAKE
2	123269	1	W/A PARK BRAKE HANDLE
3	765339	2	BUSHING,IGUS#0608 (FS)
4	122662	1	PULL LINK
5	017244	2	CP .125DX1.000 LG HML Z
6	000174	1	CE .375X1.25 .156X1.09
7	768259	2	BUSHING,IGUS#0810 (FS)
8	553516	1	SVC, PARK BRAKE BRKT
9	601906	1	DECAL, PARK BRAKE
10	602538	1	SWITCH PLUNGER, NC/NO
11	063198	2	CS #10-24X0.750FLKG5
12	601822	1	NUT PLATE, .420 CENTERS
13	025395	3	CB .375-16X 1.00 G5 ZN
14	606288	1	SB 0.500 0.500 X 17.50
15	086660	8	NT .375-16NLG8
16	767954	8	FW 0.379X.82X.06 HD ZN
17	767962	4	FW .531 x 1.063 x .175
18	781567	2	NT .500-13NLG5
19	603113	4	CB .375-16X1.250 G5 ZN
20	606299	2	TEETH PLT PARK BRAKE
21	606345	1	W/A, TREADLOCK
22	074252	2	CS .500-13X1.50 HX G5 ZN
23	058776	2	NT .312-18NLG5
24	768523	2	FW 0.343SAE
25	037887	2	CB .312-18X 1.000 FUL ZN
26	606303	1	BRAKE LINK W/A
27	781302	1	IDLER SPRING
28	712919	1	FW 0.406X1.00X.12 HD ZN



LEFT SIDE SHOWN
RIGHT SIDE SIMILAR

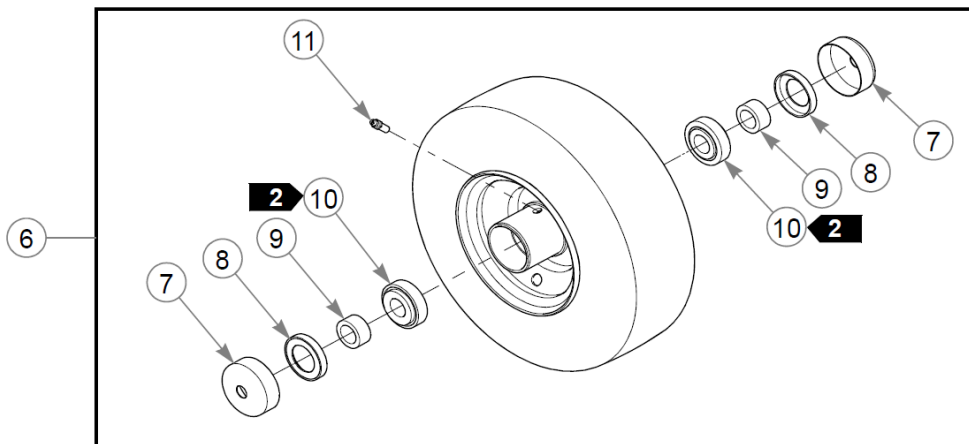
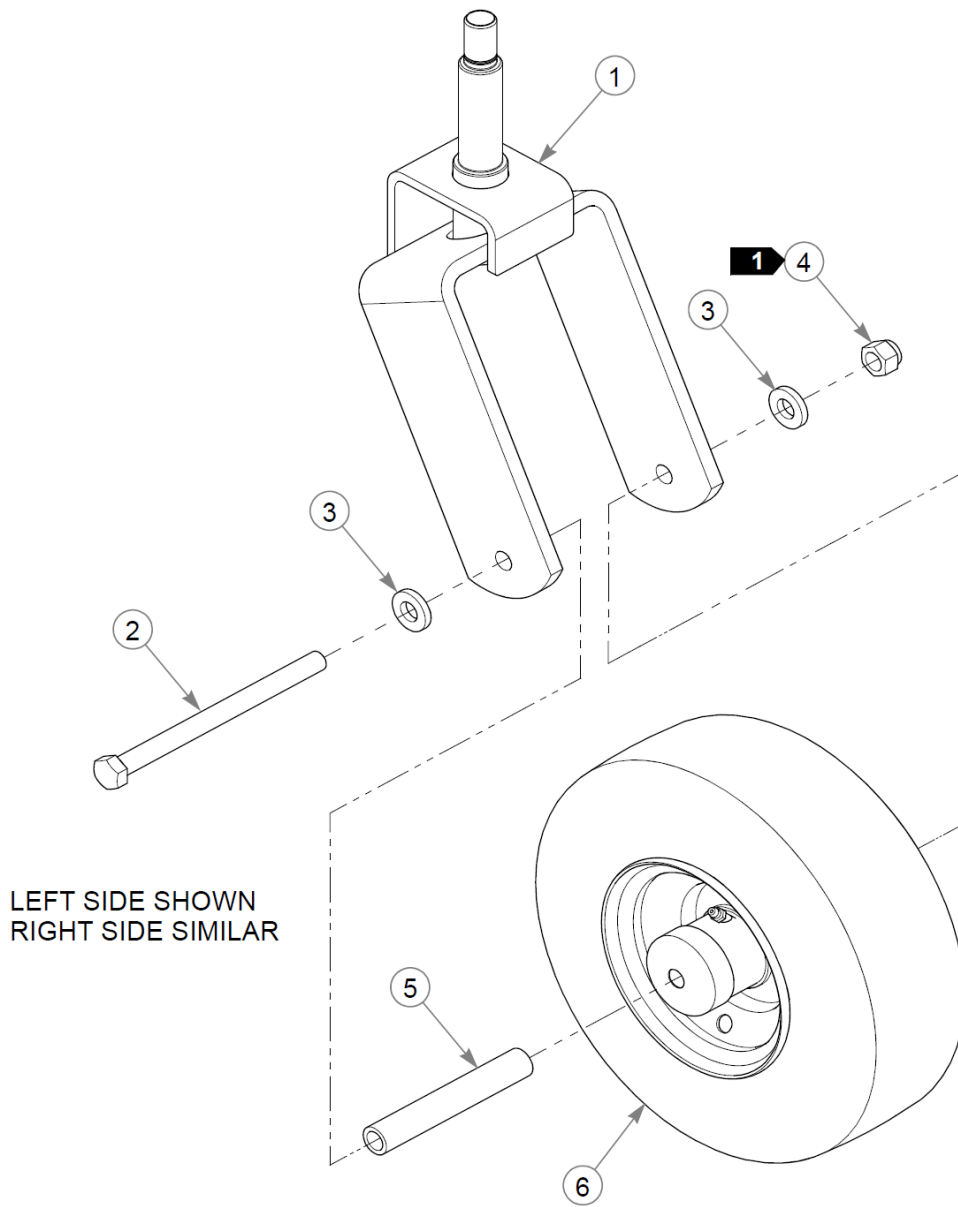


Wheels & Tires

Item	Part No.	Qty	Name
1	607858	2	TIR/WHL 20X8.00-10 BLK
2	061077	10	WHEEL NUT
3	606711	2	DUST CAP
4	061101	2	NT .750-10 HX ZN NL GR B
5	606715	6	CW 0.766 X 1.50 X .093
6	606712	4	BEARING, TAPERED ROLLER
7	606713	4	RACE, TAPERE ROLLER
8	606817	2	GREASE PLUG
9	606714	2	SEAL, 1.25 X 1.98
10	N/A	2	REFER TO "FRONT WHEEL ASSEMBLY"
11	122576	1	FENDER W/A
12	025395	4	CB .375-16X 1.00 G5 ZN
13	122572	1	FENDER W/A
14	767954	4	FW 0.379X.82X.06 HD ZN
15	054502	4	NT .375-16HXG5
16	768523	2	FW 0.343SAE
17	058776	2	NT .312-18NLG5
18	781567	2	NT .500-13NLG5
19	767962	4	FW .531 x 1.063 x .175
20	602263	2	WHEEL, ANTI-SCALP
21	602345	2	SPACER, ANTI-SCALP 3.22
22	068239	2	CS .500-13X4.500HXG5

Comments for Page: Wheels & Tires

1. Torque to 65–75 ft-lbs.

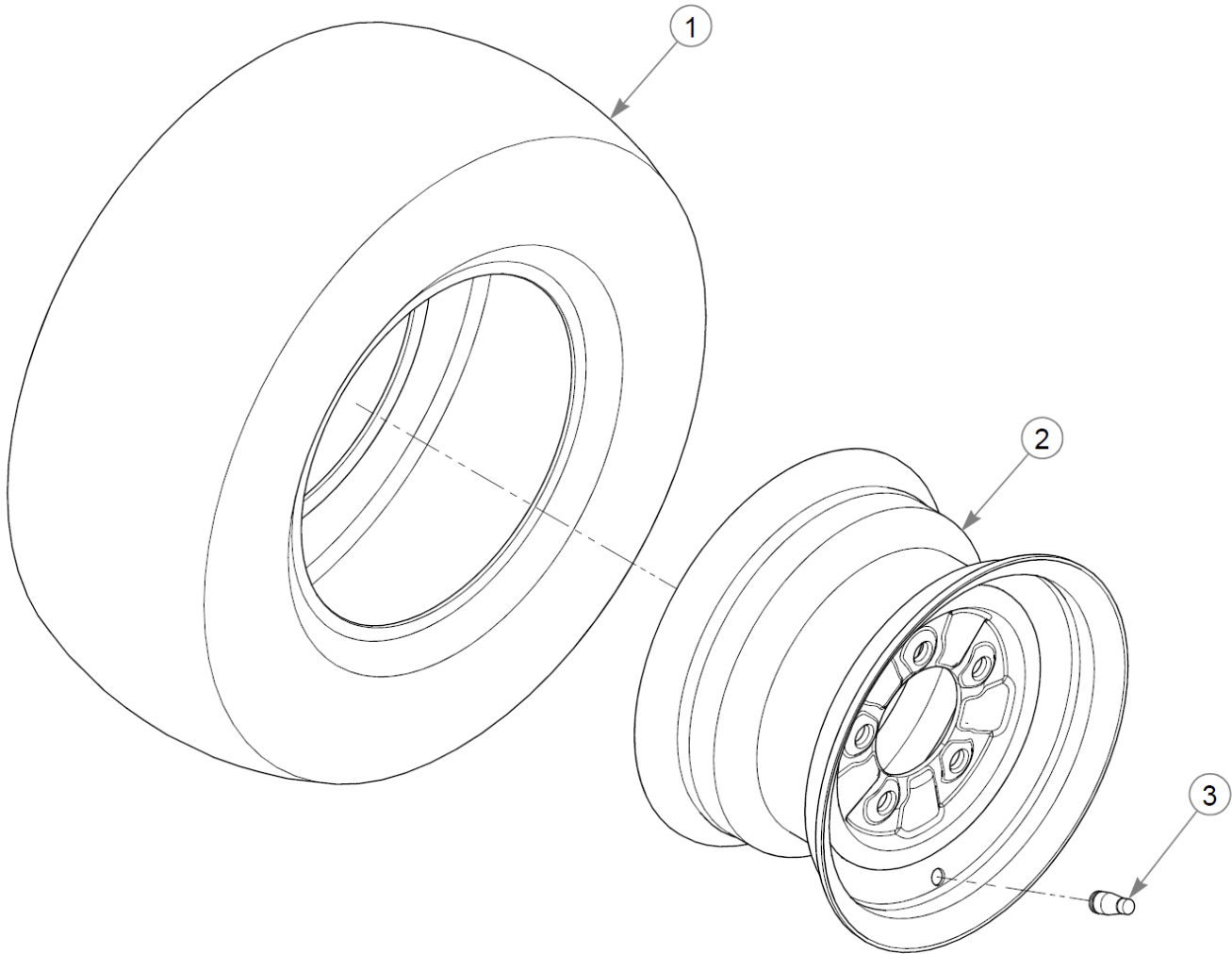


Front Wheel Assembly

Item	Part No.	Qty	Name
1	123648-1	1	W/A, CASTER FORK
2	042630	1	CS .500-13X6.500HXG5
3	767962	2	FW .531 x 1.063 x .175
4	781567	1	NT .500-13NLG5
5	306969	1	GAGE WHEEL SPACER
6	606741	1	TIR/WHL 11X4.00-5 BLK
7	606779	2	DUST CAP, 0.502 ID
8	606780	2	SEAL
9	606778	2	SPACER, 0.531
10	606753	2	BEARING, TAPERED ROLLER
11	606777	1	GREASE FITTING

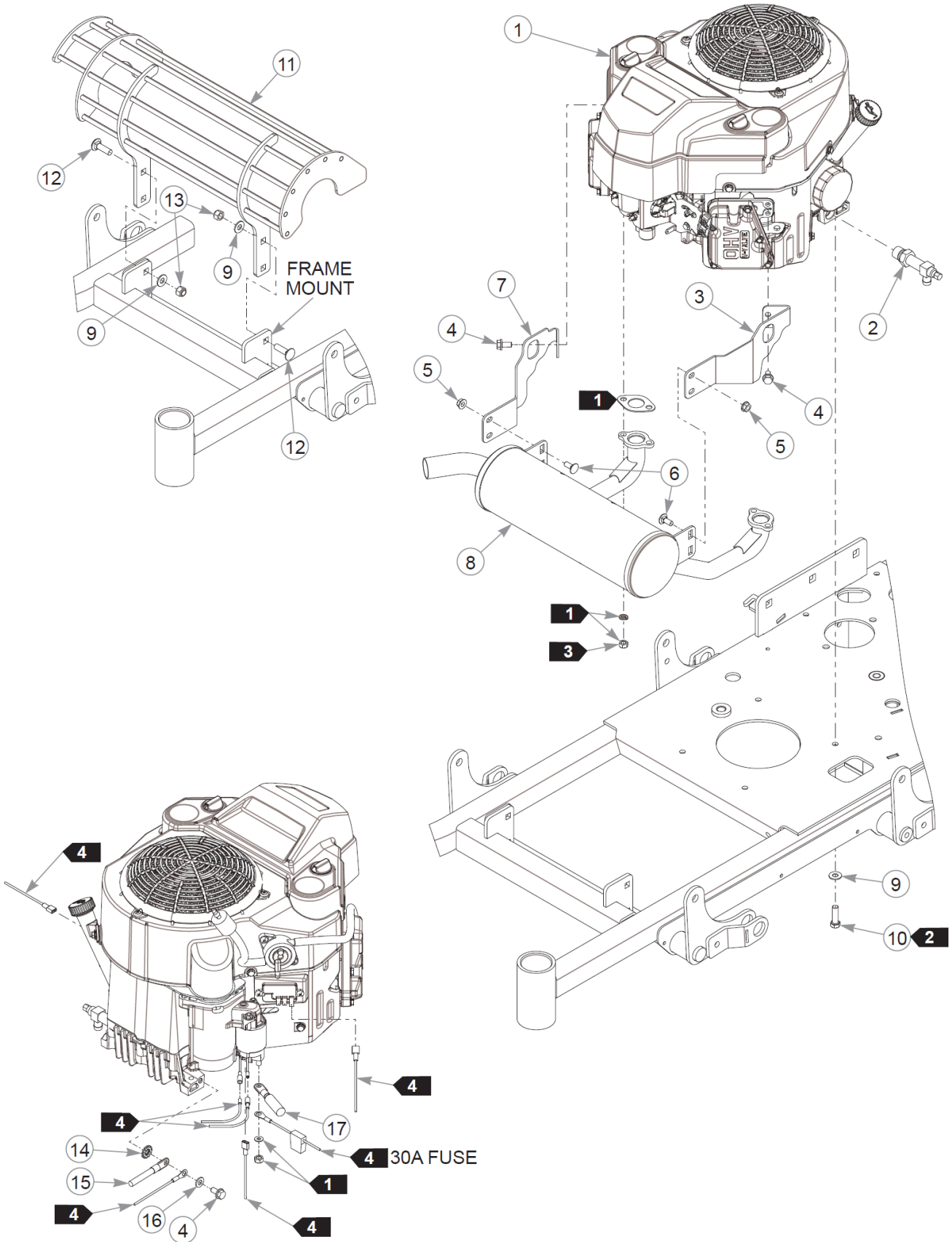
Comments for Page: Front Wheel Assembly

1. Tighten, then back off the nut until the wheel spins freely.
2. Refer to the General Service Manual for wheel bearing service procedures.
3. The wheel assembly (606741) includes items 7-12.



Drive Wheel Assembly

Item	Part No.	Qty	Name
1	600692	1	TIR 20X8.00-10 B4R GRMR
2	606118	1	WHL 10X6.00 5X4.5 BLK
3	019521	1	TIRE VALVE TR-412 GOODY

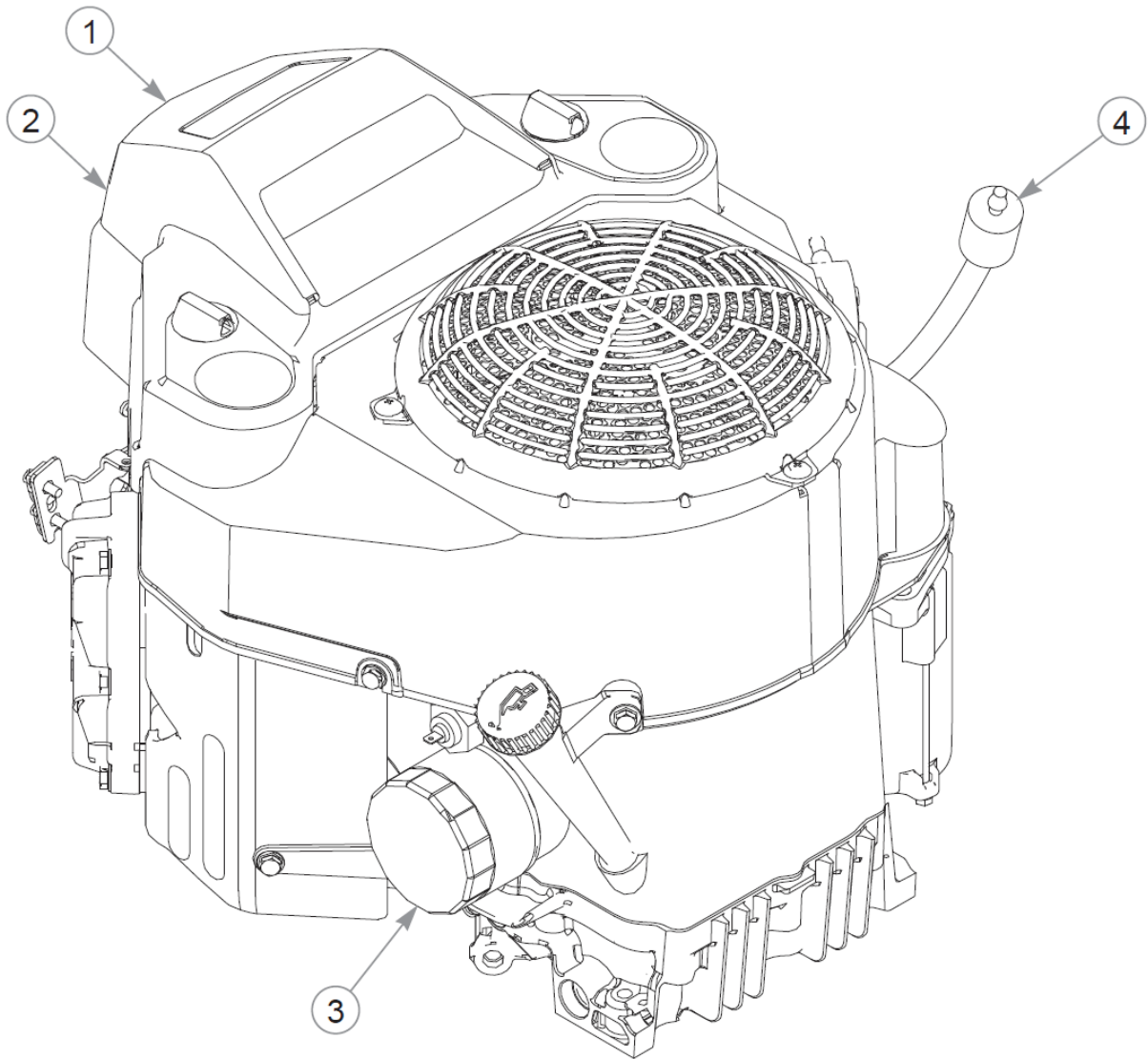


Engine & Muffler

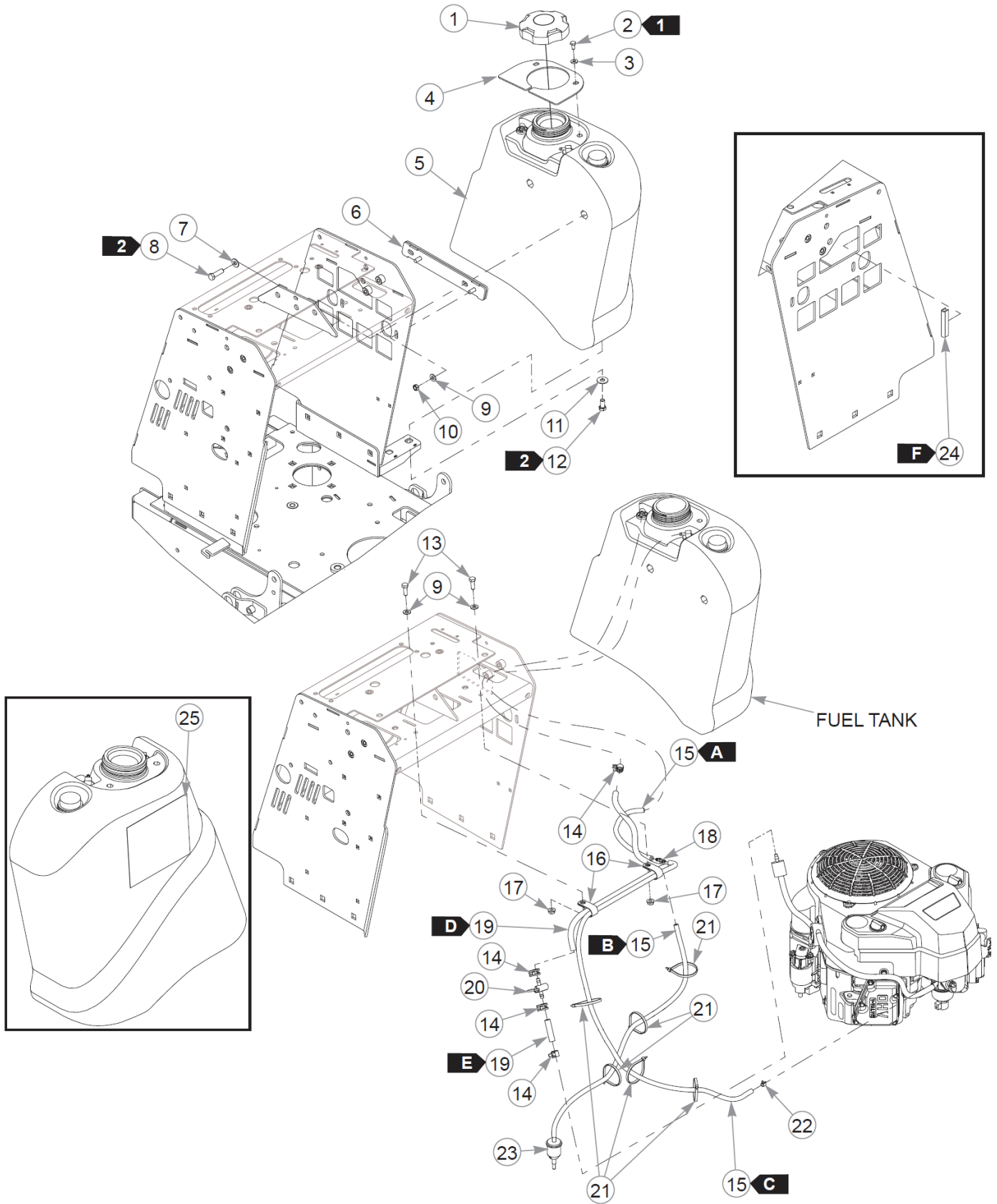
Item	Part No.	Qty	Name
1		1	ENGINE, FS541V
2	796524	1	VALVE,OIL DRAIN M20x2.5
3	122340	1	STAY, MUFFLER
4	720516	5	CS M8-1.25X16HX FL10.9
5	016832	4	NT .312-18FLKG5
6	016253	4	CB .312-18X .750 FUL ZN
7	122341	1	STAY, MUFFLER
8	606042	1	MUFFLER, FS541V
9	767954	8	FW 0.379X.82X.06 HD ZN
10	602580	4	CS .375-16X1.25HXG8ZYP85
11	125210-3	1	MUFFLER GUARD
12	603113	4	CB .375-16X1.250 G5 ZN
13	086660	4	NT .375-16NLG8
14	768523	1	FW 0.343SAE
15	780015	1	BATTERY CABLE, (-) ES W
16	029876	1	LW .312 INTEXT ZN
17	602099	1	BATTERY CABLE, POS.

Comments for Page: Engine & Muffler

1. Supplied with the engine.
2. Torque to 12 ft-lbs plus 60° rotation of the cap screw head. Replace (do not reuse) the cap screw if it is removed or loosened. Use only hand tools to install this fastener.
3. Torque to 17 ft-lbs.
4. Part of the wire harness.



Item	Part No.	Qty	Name
1	603059	1	AIR FILTER - MAIN
2	603058	1	PRE FILTER, KAW
3	602581	1	ENGINE OIL FILTER
4	068478	1	FUEL FILTER - IN LINE



Fuel System

Item	Part No.	Qty	Name
1	603807	1	CAP, 3.5" RATCHETING GAS
2	055947	2	CS .250-20X0.50 HX G5 ZN
3	768515	2	FW 0.281SAE
4	122399	1	FUEL TANK COVER PLATE
5	606167	1	FUEL TANK
6	122671	1	TANK SPACER W/A
7	767954	2	FW 0.379X.82X.06 HD ZN
8	052860	2	CS .375-16X1.25 HX G5 ZN
9	768523	4	FW 0.343SAE
10	604251	2	NT .312-18 HXNL JAM G2ZN
11	712919	4	FW 0.406X1.00X.12 HD ZN
12	055822	4	CS .375-16X0.75 HX G5 ZN
13	064014	2	CS .312-18X0.875HXG5
14	000323	4	CLIP, HOSE CLAMP
15	603326	81"	VAPOR LINE, 3/16"
<p>Comments for Part Num. 603326</p> <p>Sold by the foot.</p>			
16	043570	2	CLIP - HOSE - SINGLE(FS)
17	016832	2	NT .312-18FLKG5
18	605690	1	TEE, 3/16" PLASTIC
19	015818	29"	FUEL LINE, 1/4"
<p>Comments for Part Num. 015818</p> <p>Sold by the foot.</p>			
20	605601	1	FUEL SHUT-OFF VALVE
21	000331	6	WIRE TIE, SMALL/SHORT
22	603112	1	CLAMP, 3/16 FUEL
23	604323	1	VAPOR SYSTEM FILTER
24	033001	2.5"	FLEXIBLE TRIM UNI-GRIP
25	606052	1	DECAL, TANK

Comments for Page: Fuel System

FUEL, VAPOR LINE, & TRIM LENGTHS

A: 9" TANK TO TEE (VAPOR)

B: 26" TEE TO FILTER (VAPOR)

Fuel System

C: 46" TEE TO ENGINE (VAPOR)

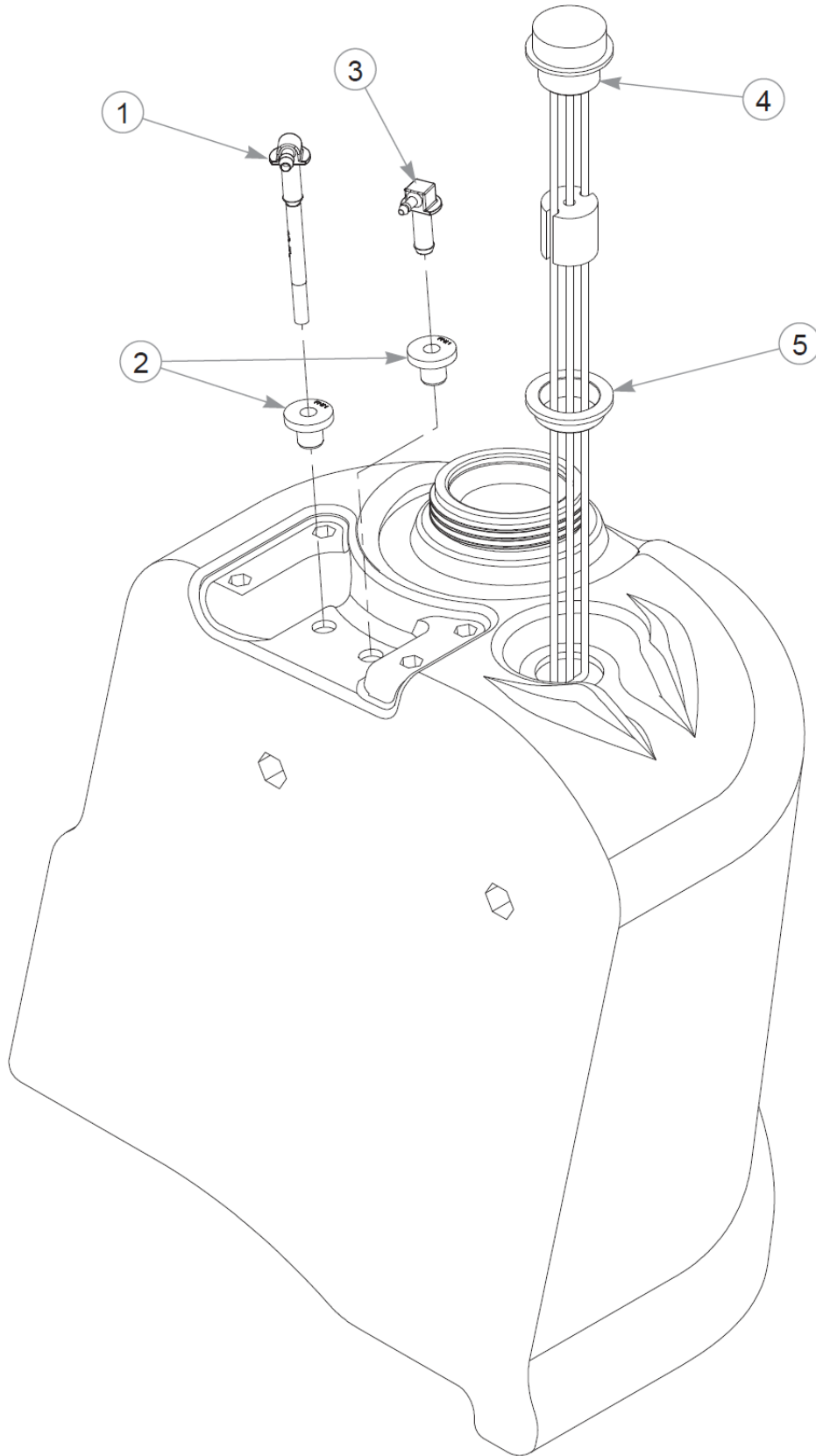
D: 27" TANK TO VALVE (FUEL)

E: 2" VALVE TO FILTER (FUEL)

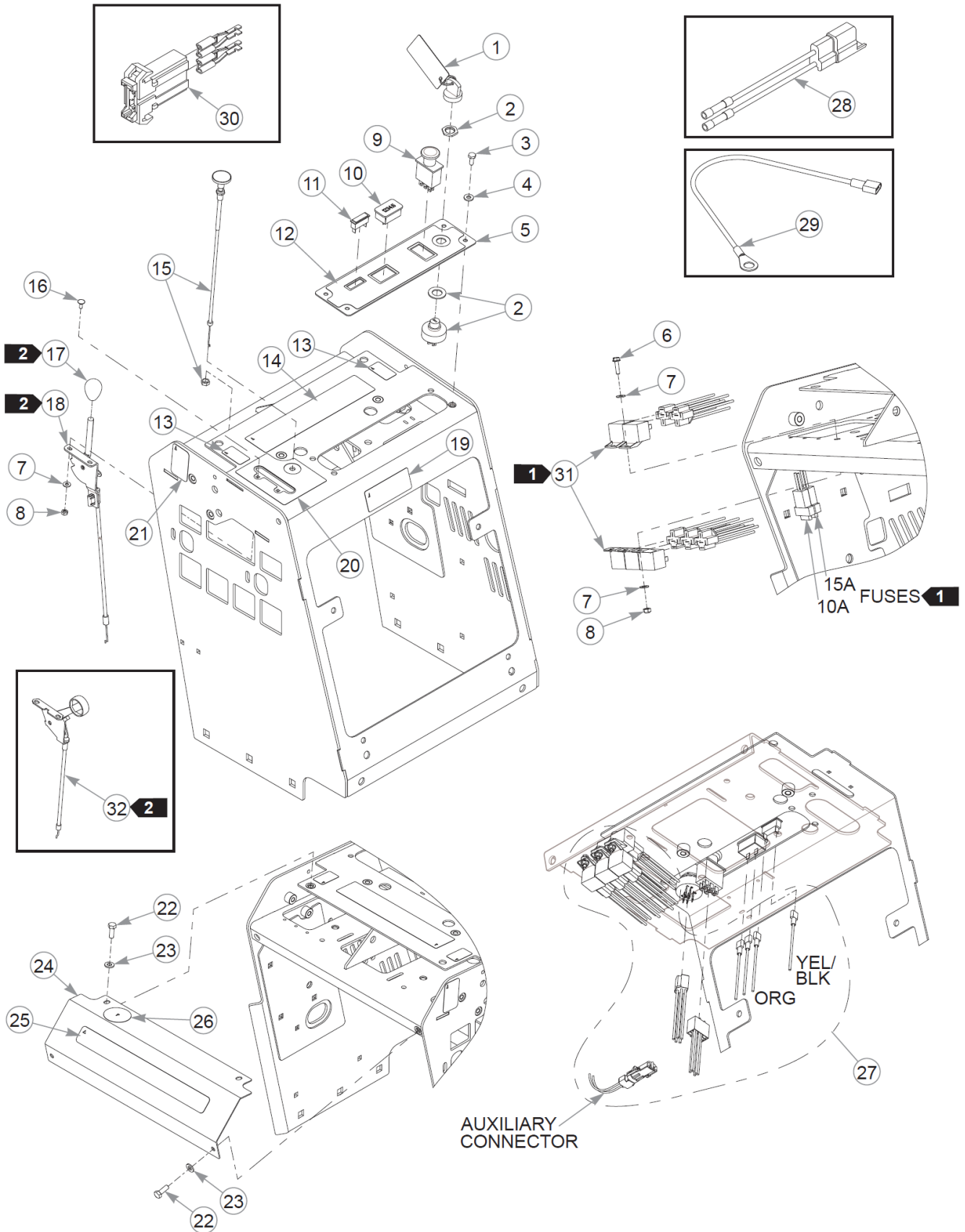
F: 2.5" TRIM

1. Torque to 7 ft-lbs.
2. Torque to 16 ft-lbs.

This page intentionally left blank



Item	Part No.	Qty	Name
Not Shown	606167	1	FUEL TANK
1	605156K	1	SUCTION HOSE SVC KIT
2	604200K	2	GROMMET SVC KIT
3	604287K	1	VENT FITTING SVC KIT
4	606055K	1	FUEL GAUGE SVC KIT
5	603838K	1	SVC KIT, TANK GROMMET



Item	Part No.	Qty	Name
1	785808	1	KEY ASSEMBLY
2	045898	1	IGNITION SWITCH
3	064329	4	CS .250-20X0.625HXG5
4	768515	4	FW 0.281SAE
5	553513	1	SVC, INSTRUMENT PANEL
6	063198	3	CS #10-24X0.750FLKG5
7	704932	8	FW 0.219X.50X.05 ZN
8	059832	5	NT #10-24 HX NL ZN
9	776476	1	SWITCH, PTO 6201-321
10	769166	1	HOUR METER
11	712257	1	INDICATOR LIGHT, RED(FS)
12	606154	1	DECAL, INSTRUMENT PANEL
13	606218	2	DECAL, STEERING
14	606215	1	DECAL, SAFE OPERATION
15	601097	1	CABLE, CHOKE
16	601098	2	CB 10-24 X .500 ZYNC
17	603523	1	KNOB
18	603475	1	CABLE, THRTL 43"
19	601058	1	DECAL, HOT/SYN HYDRO OIL
20	606155	1	DECAL, INSTRUMENT PANEL
21	605688	1	DECAL, LEVEL FUEL FILL
22	064014	4	CS .312-18X0.875HXG5
23	768523	4	FW 0.343SAE
24	553515	1	SVC, COVER PANEL
25	602407	1	DECAL, HUSTLER ID
26	608127	1	DECAL, USA, F&D
27	605911	1	WIRE HARNESS
28	114052	1	KIT, CLUTCH CONN. REP.
29	604430	1	WIRE HARNESS
30	601047	1	HOLDER, FUSE
31	601053	5	RELAY, SEALED W/BRACKET
32	778365	1	CABLE, THROTTLE

Comments for Page: Instrument Panel & Wire Harness

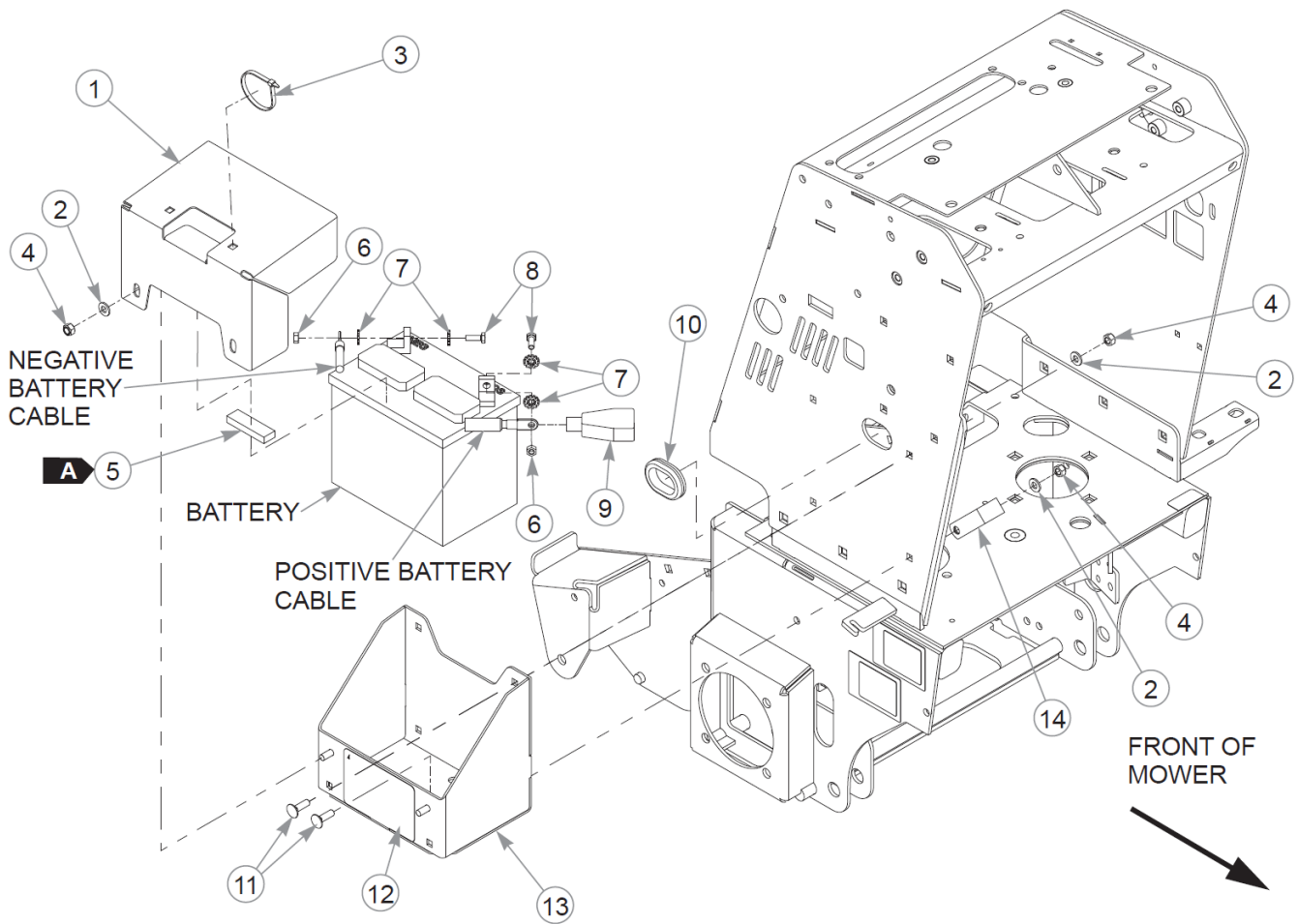
1. Part of the wire harness.

Instrument Panel & Wire Harness

36" Super S Parts Manual - 940205 - HTSUPS036KAWFS541VA

-
2. 603523 (knob) and 603475 (throttle cable) are used on mowers S/N 18122159 & higher. 778365 (throttle cable) is used on mowers prior to S/N 18122159.
3. The relay includes a bracket.

This page intentionally left blank

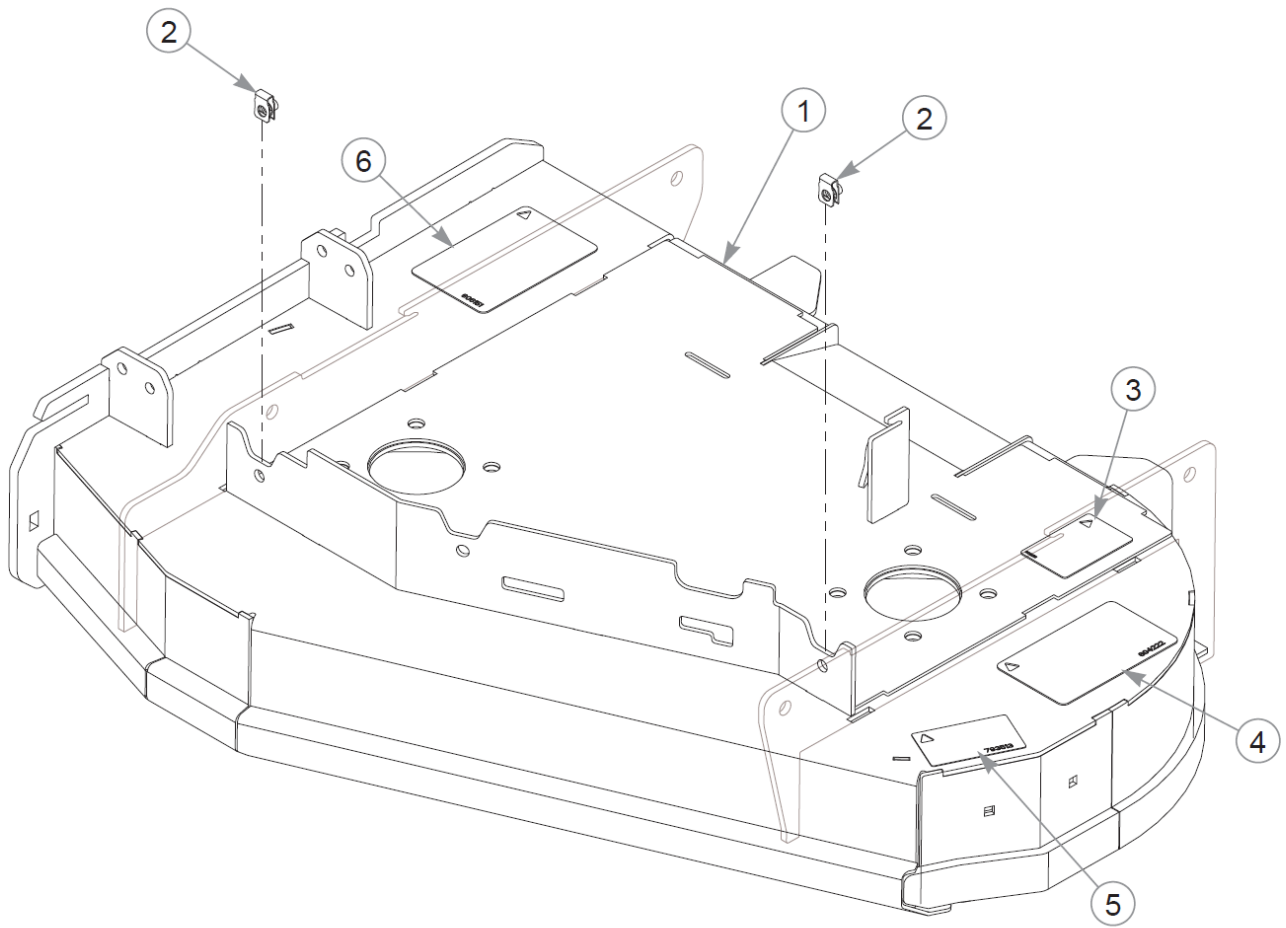


Battery

Item	Part No.	Qty	Name
1	122629	1	BATTERY COVER
2	768523	6	FW 0.343SAE
3	000331	1	WIRE TIE, SMALL/SHORT
4	058776	6	NT .312-18NLG5
5	713198	1	SEAL 3/8x3/4 SOLD BY FT
6	024927	2	NT .250-20HXG5
7	029868	4	LW .250 INTEXT ZN
8	055939	2	CS .250-20X0.75 HX G5 ZN
9	771428	1	BATTERY CBL BOOT-RED(FS)
10	794644	1	GM 1.50 X 2.12 X 1.75
11	037887	4	CB .312-18X 1.000 FUL ZN
12	601815	1	DECAL, BATTERY WARNINGS
13	553517	1	SVC, BATTERY BOX
14	045088	1	HOSE CLAMP 1" (FS)

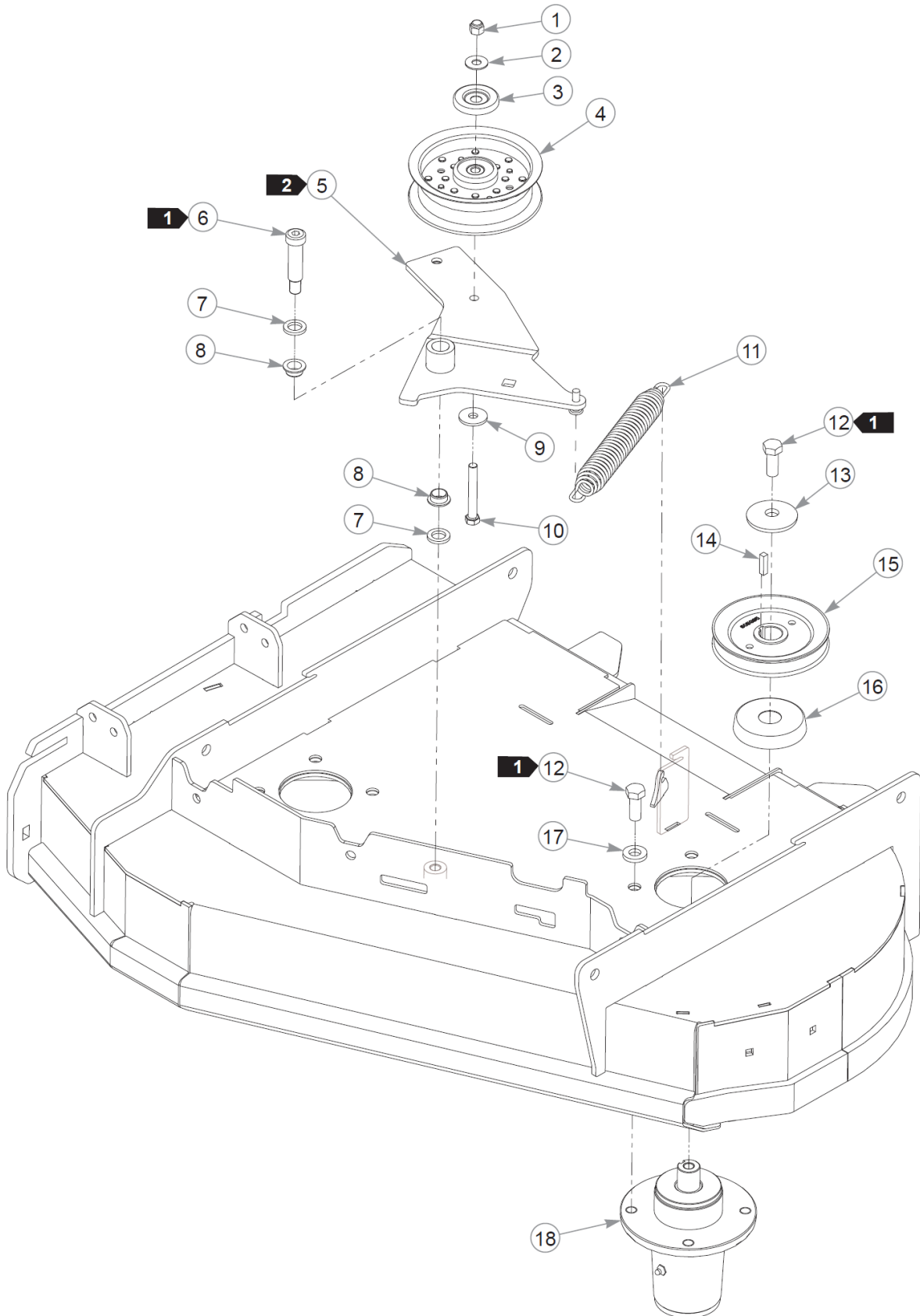
Comments for Page: Battery

SEAL LENGTHA: 6.4 cm1. When performing service on the mower, disconnect the negative battery cable (black) and do not reconnect it to the battery until ready to start the engine.2. The battery box includes the decal.



Service Deck

Item	Part No.	Qty	Name
1	555582	1	SVC, DECK DECAL ASSY 36"
2	601069	2	CN .312-18x.200 MAX THK
3	606216	1	DECAL, BELT ROUTING
4	604222	1	DECAL, DANGER / OBJECTS
5	793513	1	DECAL, 36" DECK ID
6	606151	1	DECAL, DANGER / CHUTE

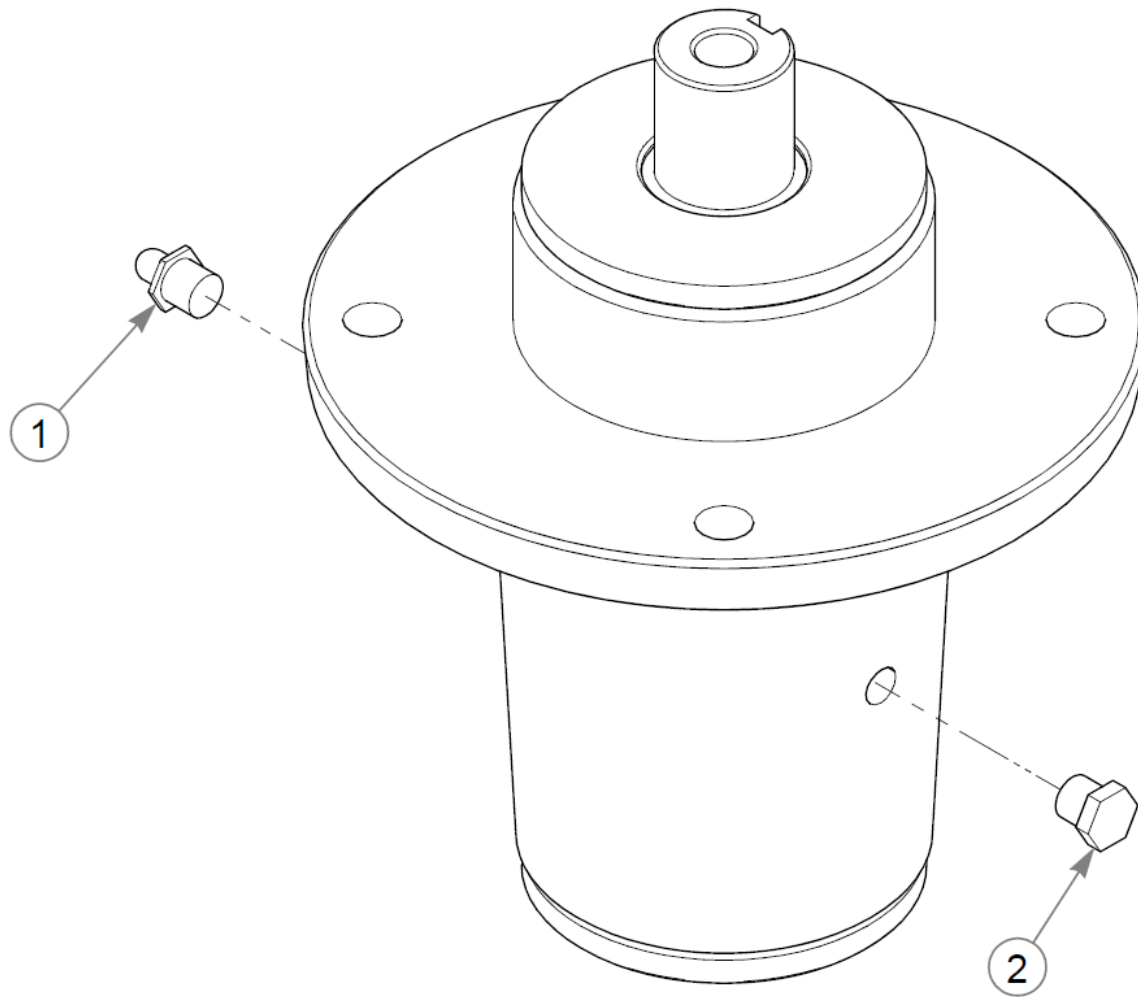


Deck Pulleys & Spindles

Item	Part No.	Qty	Name
1	086660	1	NT .375-16NLG8
2	076422	1	FW 0.406X1.00X.06 ZN
3	605467	1	DUST SHIELD
4	606385	1	PULLEY, 5" FLAT IDLER
5	122278	1	IDLER ARM W/A
6	606149	1	SB .625 X 2.00 SH.50-13
7	028118	2	FW 0.625X1.00X.13 ZN
8	602539	2	BUSHING, .625 I.D.
9	712893	1	FW 0.406X1.25X.12 HD ZN
10	705731	1	CS .375-16X2.750G5
11	607616	1	SPRING, DECK IDLER
12	705954	10	CS .500-13X1.25 HX G5 ZN
13	752386	2	CW .515X 2.25X .204 BLK
14	212472	2	KEY 1/4 SQ X 1.00 LG(FS)
15	605985	2	DRIVE PULLEY
16	607409-4	2	DUST SHIELD
17	767962	8	FW .531 x 1.063 x .175
18	607407	2	SPINDLE ASSY, DUCTILE

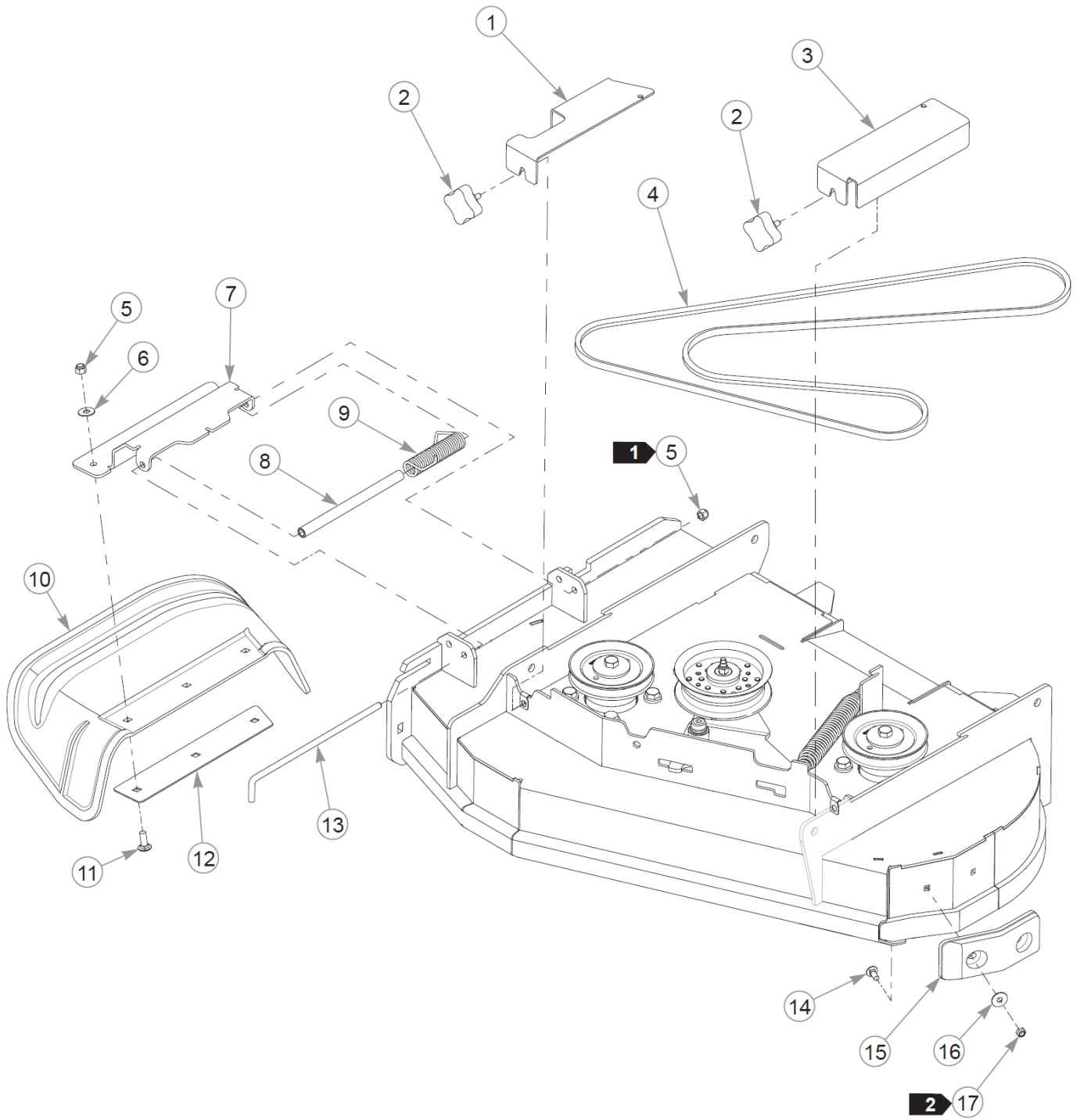
Comments for Page: Deck Pulleys & Spindles

1. Torque to 67–73 ft-lbs.
2. The idler arm must pivot freely.

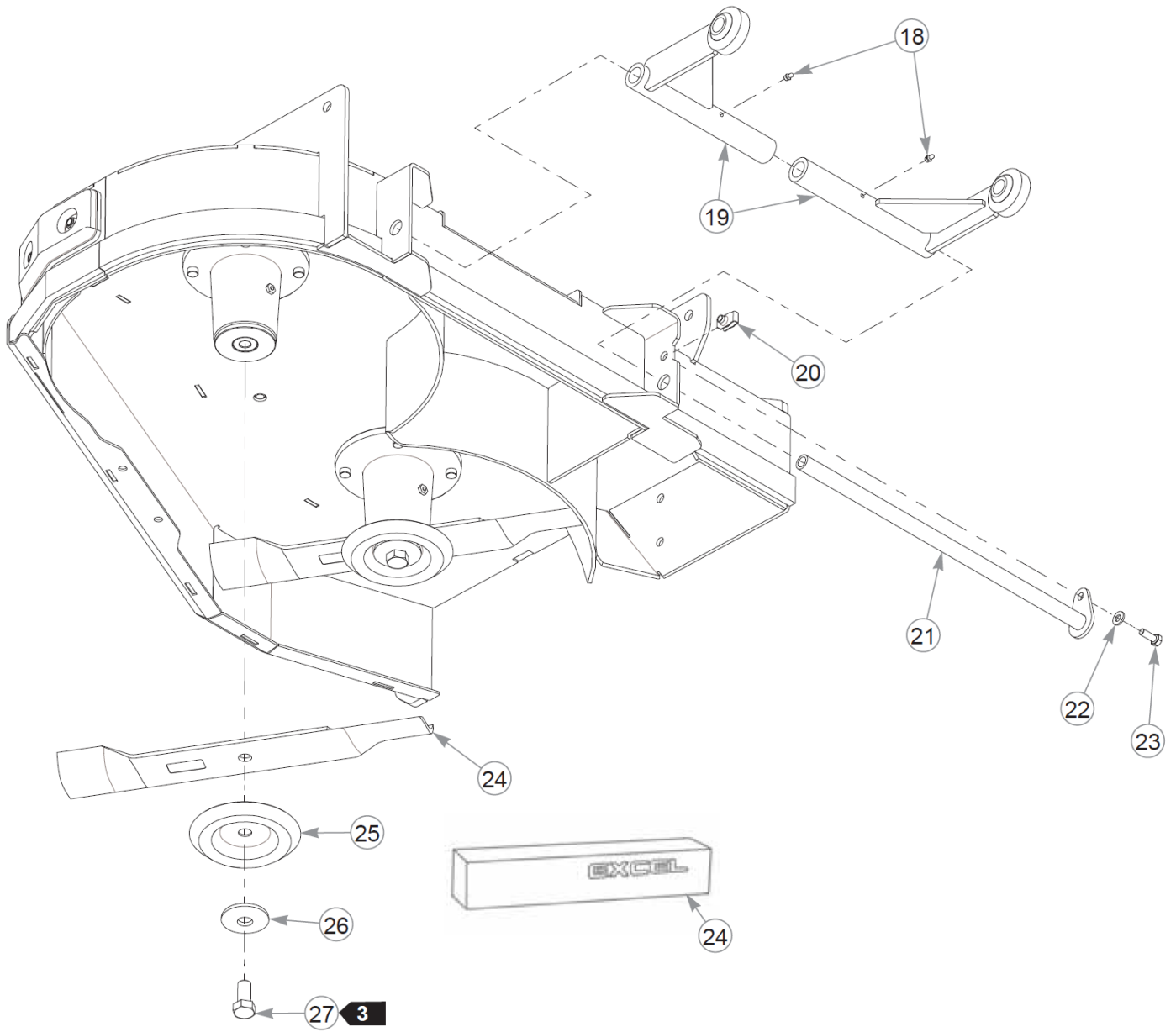


Spindle Assembly Service Parts - 607407

Item	Part No.	Qty	Name
1	607477	1	GREASE ZERK
2	607478	1	RELIEF FITTING



This page intentionally left blank



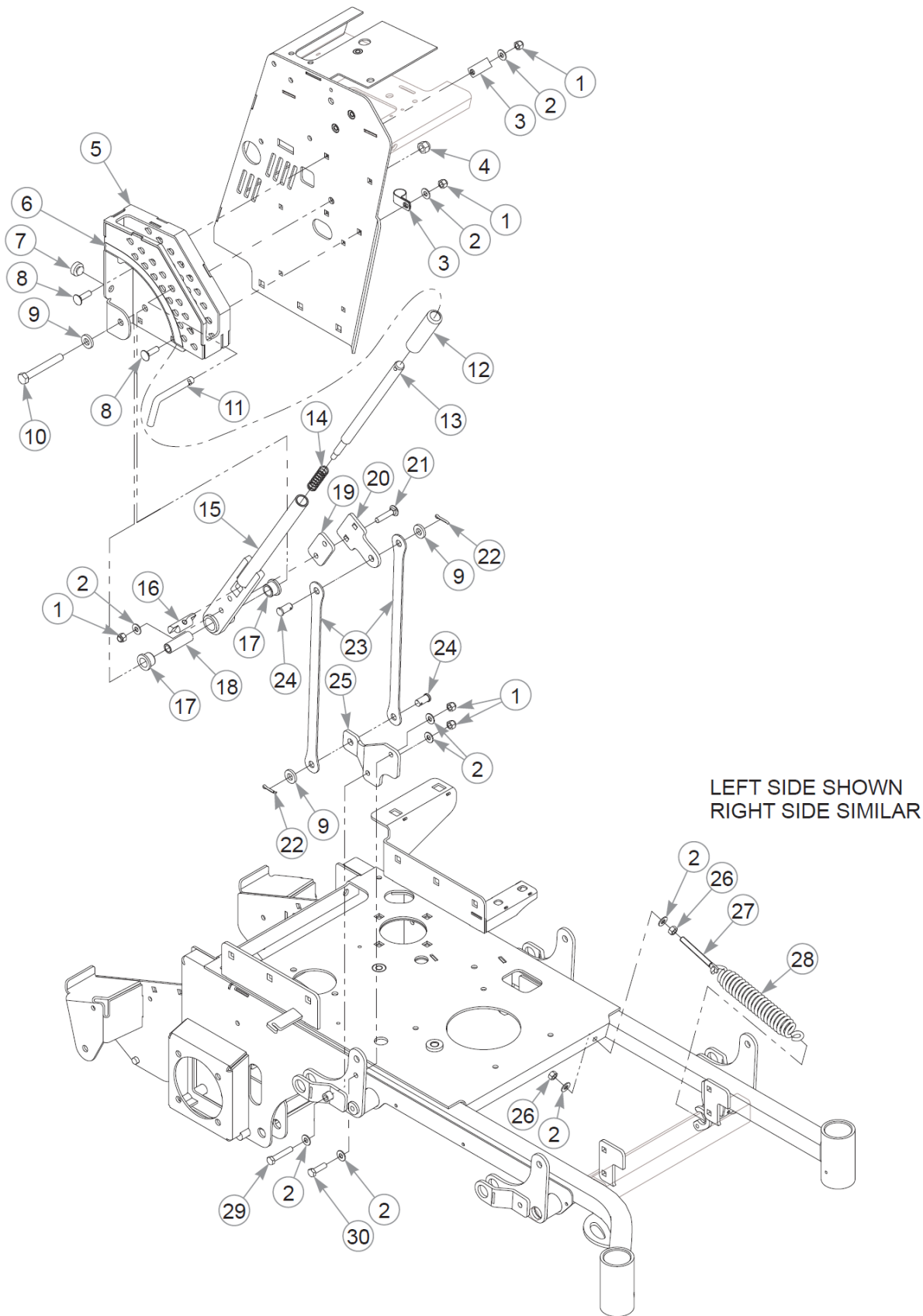
Item	Part No.	Qty	Name
1	122541	1	PULLEY COVER, RS
2	792002	2	KNOB,5/16-18 X 3/4"MALE
3	122543	1	PULLEY COVER, LS
4	606087	1	DECK BELT
5	086660	4	NT .375-16NLG8
6	076422	3	FW 0.406X1.00X.06 ZN
7	126218-1	1	BRACKET, DISCHARE CHUTE
8	606166	1	RETAINER, CHUTE SPRING
9	607787	1	SPRING, TORSION CHUTE
10	605916	1	DISCHARGE CHUTE
11	025395	3	CB .375-16X 1.00 G5 ZN
12	122148	1	BRKT, CHUTE BOTTOM
13	605936	1	PIN, CHUTE
14	016253	2	CB .312-18X .750 FUL ZN
15	605376	1	DECK BUMPER
16	079210	2	FW 0.344X1.0X0.06 ZN
17	604251	2	NT .312-18 HXNL JAM G2ZN
18	015495	2	GREASE FITTING STRAIGHT
19	122067	2	PUSHER W/A
20	601069	1	CN .312-18x.200 MAX THK
21	122062	1	PIVOT TUBE W/A
22	768523	1	FW 0.343SAE
23	064014	1	CS .312-18X0.875HXG5
24	787721	2	BLADE,17.86"-H-F-CW
Not Shown	787721X	1	10PK BLADE, 17.86"-H-F-C
Not Shown	794198	2	BLADE,17.86"-MUL-F-CW
Not Shown	794198X	1	10PK BLADE, 17.86"-MUL-F
Not Shown	785436	2	BLADE,17.86"-GAT-F-CW
Not Shown	785436X	1	10PK BLADE, 17.86"-GAT-F
25	114988	2	SHIELD, BLADE BOLT
26	782474	2	CW .678 X 2.250 X .187
27	781872	2	CS .625-11X1.250HXG5

Comments for Page: Deck Belt, Discharge Chute, Pulley Covers, & Blades (Multi-Page)

1. Do not torque; the discharge chute must pivot freely.

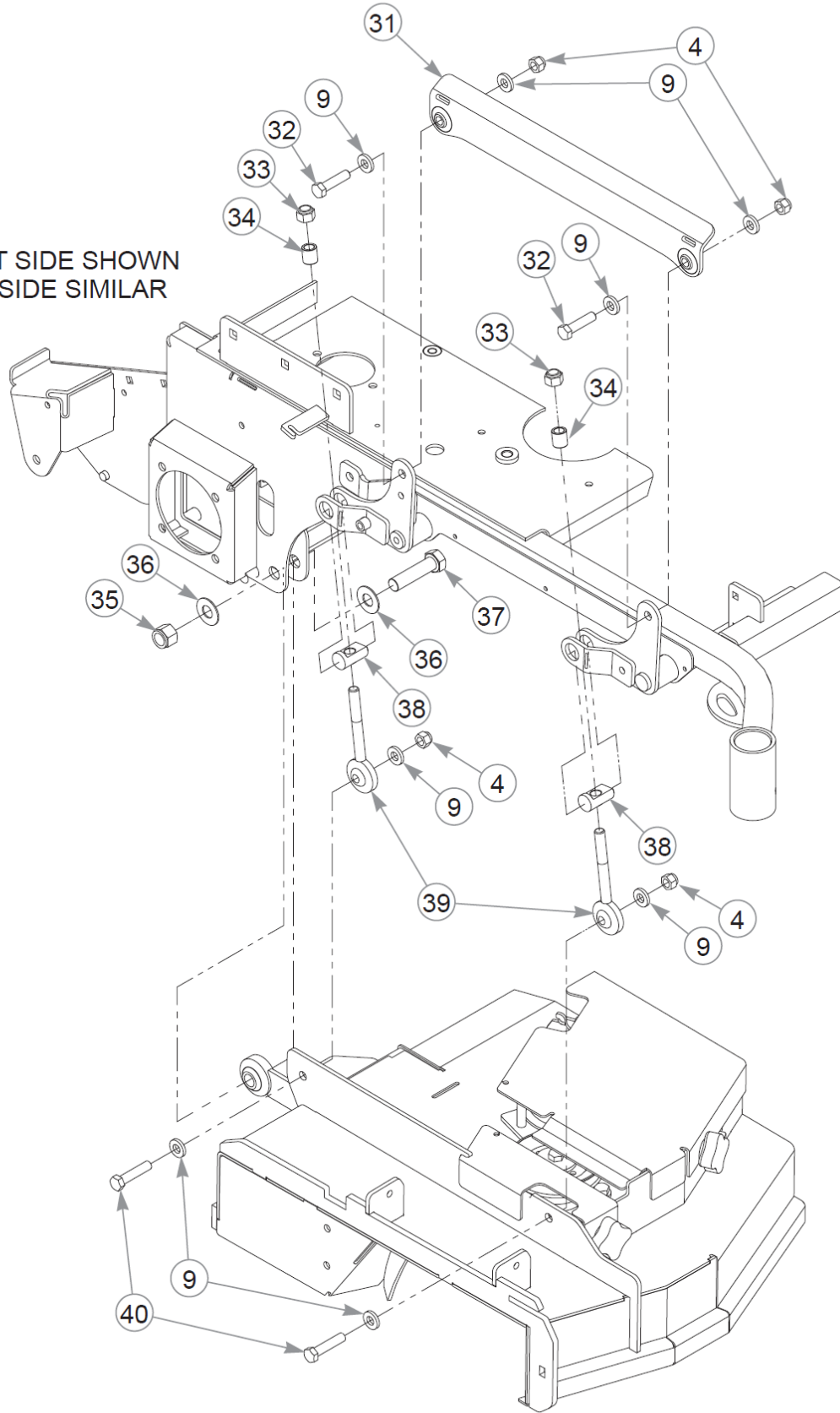
2. Torque to 3–6 ft-lbs.
3. Torque to 118 ft-lbs.

This page intentionally left blank



This page intentionally left blank

RIGHT SIDE SHOWN
LEFT SIDE SIMILAR



Deck Lift & Mounting Hardware (Multi-Page)

36" Super S Parts Manual - 940205 - HTSUPS036KAWFS541VA

Item	Part No.	Qty	Name
1	086660	8	NT .375-16NLG8
2	767954	12	FW 0.379X.82X.06 HD ZN
3	043570	2	CLIP - HOSE - SINGLE(FS)
4	781567	9	NT .500-13NLG5
5	555860	1	SVC, DECK HEIGHT
6	606219	1	DECK HEIGHT DECAL
7	781880	1	BUMPER, .500x 1.00x .31
8	603113	4	CB .375-16X1.250 G5 ZN
9	767962	19	FW .531 x 1.063 x .175
10	068023	1	CS .500-13X3.75 HX G8 ZN
11	604076	1	PIN, DECK HEIGHT STOP
12	608233	1	GRIP, DECK LIFT
13	608063-4	1	THUMB PLUNGER
14	601580	1	COMPRESSION SPRING
15	608061-4	1	W/A, DECK LIFT HANDLE
16	608062-4	1	DECK LIFT LATCH NUT
17	608000	2	BUSHING
18	606343	1	DECK LEVEL SPACER
19	126631-1	1	SPACER PLT
20	126632-1	1	DECK LIFT PLATE
21	606935	2	CB .375-16X 1.75 STD G5
22	017251	2	CP .156DX1.000 LG HML Z
23	122655	2	DECK LIFT LINK
24	047993	2	CE .500X1.00 .150X .85
25	122605	1	DECK LIFT PLATE
26	054502	2	NT .375-16HXG5
27	601486	1	EB, .375-16X3.00 FULTHD
28	606355	1	SPRING, EXT 7.00 112LBS
29	016410	1	CS .375-16X2.000HXG5
30	052860	1	CS .375-16X1.25 HX G5 ZN
31	606342	2	DECK LIFT LINK, W/A
32	078949	4	CS .500-13X2.000 FUL HX
33	606316	4	NT 0.563-18 NLGC
34	606292	4	DECK LEVEL SPACER
35	061101	2	NT .750-10 HX ZN NL GR B
36	025296	4	FW .760X1.63X0.08 ZN

This page intentionally left blank

Deck Lift & Mounting Hardware (Multi-Page)

Item	Part No.	Qty	Name
37	051169	2	CS .750-10X3.000HXG5
38	607979	4	DECK LEVEL PIVOT
39	606290	4	W/A DECK LEVEL ROD END
40	761544	4	CS .500-13X2.250HXG8

Comments for Page: Deck Lift & Mounting Hardware (Multi-Page)

1. The deck height weldment includes the decal.