

# Hustler® Parts Manual



**HUSTLER®**  
TURF EQUIPMENT

200 South Ridge Road

Hesston, Kansas

67062



#### NOTICE OF REQUIREMENT OF SPARK ARRESTER MUFFLER

This equipment may create sparks that can start fires around dry vegetation. California Public Resources Code Section 4442.6 provides that it is unlawful to use or operate an internal combustion engine on any forest-covered, brush-covered, or grass-covered land unless the engine is equipped with a spark arrester maintained in effective working order. A spark arrester is a device constructed of nonflammable materials specifically for the purpose of removing and retaining carbon and other flammable particles over 0.0232 of an inch in size from the exhaust flow of an internal combustion engine that uses hydrocarbon fuels or which is qualified and rated by the United States Forest Service. Other states or federal areas may have similar laws. The Operator Should Contact Local Fire Agencies For Laws or Regulations Relating to Fire Prevention Requirements. **THIS EQUIPMENT DOES NOT HAVE A SPARK ARRESTER AND YOU SHOULD CONTACT YOUR AUTHORIZED DEALER FOR THE PURCHASE OF A SPARK ARRESTER.**

Inspect spark arrester daily; replace every 500 hours or as needed.

The Engine Owner's Manual provides information regarding the U.S. Environmental Protection Agency (EPA) and the California Emission Control Regulation of emission systems, maintenance and warranty.

Keep Engine Owner's Manual with your unit. Should the Engine Owner's Manual become damaged or illegible, replace immediately. Replacements may be ordered per the information found in the Product Information section of the owner's manual.

Federal law and California State law prohibit the following acts or the causing thereof:

1. The removal or rendering inoperative by any person other than for purposes of maintenance, repair, replacement, of any device or element of design incorporated into any equipment for the purposes of emissions control prior to or after its sales or delivery to the ultimate purchaser or while it is in use, or
2. The use of the equipment after such device or element of design has been removed or rendered inoperative by any person.

General Information .....	1
<b>Frame, Fenders, Engine Guard, Instrument Panel, Wire Harness &amp; Battery</b>	
Frame .....	3-1
Fenders, Floor Pan, Footrest & Engine Guard (Multi-Page) .....	3-2
Instrument Panel & Wire Harness - S/N 20124969 & HIGHER .....	3-3
Instrument Panel & Wire Harness - S/N PRIOR to 20124969 .....	3-4
Battery .....	3-5
<b>Transmissions, Drive Belt, Clutch, Steering &amp; Brake</b>	
Transmissions .....	4-1
Transmission Service Parts .....	4-2
Drive Belt & Clutch .....	4-3
Steering & Brake .....	4-4
Steering Assembly (Multi-Page) .....	4-5
<b>Wheels &amp; Tires</b>	
Wheels & Tires .....	5-1
Front Wheel Assembly .....	5-2
Drive Wheel Breakdown .....	5-3
<b>Engine &amp; Fuel System</b>	
Engine & Muffler (Multi-Page) .....	6-1
Engine Service Parts - FR651V .....	6-2
Fuel System .....	6-3
Fuel Tank Service Parts - 607745 .....	6-4
<b>Deck, Deck Belt, Blades &amp; Deck Lift</b>	
Service Deck .....	7-1
Deck Pulleys & Spindles .....	7-2
Spindle Service Parts - 607418 .....	7-3
Deck Belt, Pulley Covers & Blades .....	7-4
Deck Lift & Mounting Hardware (Multi-Page) .....	7-5
<b>Seat</b>	
Seat .....	8-1
Seat Service Parts .....	8-2



---

# General Information

*Note:* When ordering parts, you must use the part number as shown for each part, not the index number. Always give the model and serial number to your parts and service representative.

*Note:* Items sold in bulk such as seals and hoses are sold by the foot.

---

## Using This Manual

This manual is part of a service package for the Hustler® mowers. Use of this manual in conjunction with other Hustler® mower and component manuals will provide the information necessary to service and maintain Hustler® mowers.

This Parts Manual provides a complete parts listing for the unit. Use this manual when ordering parts. Illustrations used were current at the time of printing, but subsequent production changes may cause your machine to vary slightly in detail. Excel Industries, Inc. reserves the right to redesign and change the machine as deemed necessary, without notification. If a change has been made to your machine which is not reflected in this parts manual, see your authorized dealer for current information and parts.

The Service Manual is a service guide for use by Service Technicians. It provides the necessary information needed to perform normal maintenance requirements on these units.

The Operator's Manual provides fundamental operational information and operational safety that is needed when operating the mower.

The component manuals are furnished by the various manufacturers to be used for the troubleshooting and servicing of their products.

## Hardware Description Codes & Abbreviations

The following codes are used throughout this parts manual. Refer to this list when ordering parts.

ABBREVIATION	DESCRIPTION	ABBREVIATION	DESCRIPTION
CB	CARRIAGE BOLT	MB	MACHINE BUSHING
CE	CLEVIS PIN	MS	MACHINE SCREW
CN	CLIP NUT	NT	NUT
CP	COTTER PIN	SC	SELF TAPPING CAP SCREW
CS	CAP SCREW	SH	SOCKET HEAD
CW	CUP WASHER	SB	SHOULDER BOLT
FDRW	FENDER WASHER	SS	SET SCREW
FW	FLAT WASHER	OD	OUTSIDE DIAMETER
HX	HEX HEAD	ID	INSIDE DIAMETER
LW	LOCK WASHER	WN	WELD NUT

---

## Standard Torques

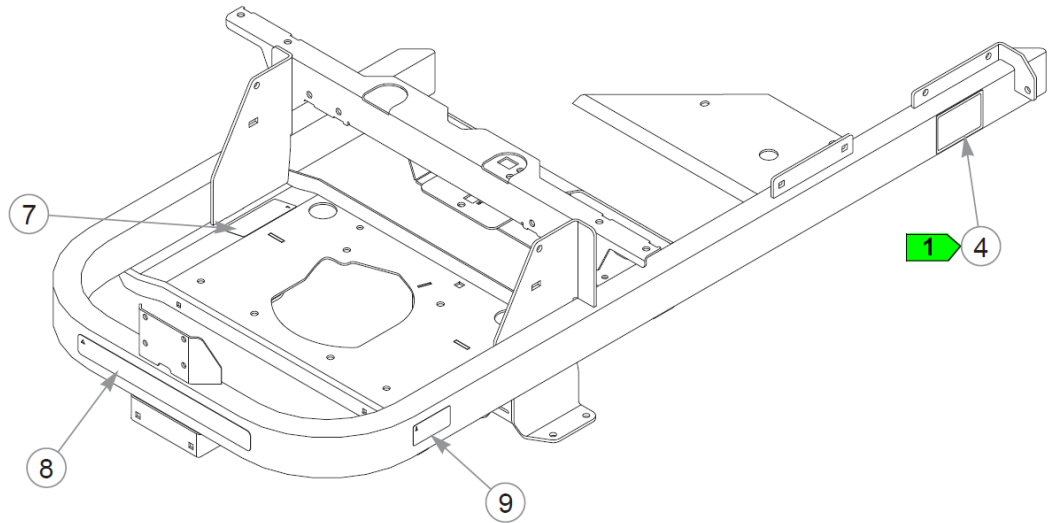
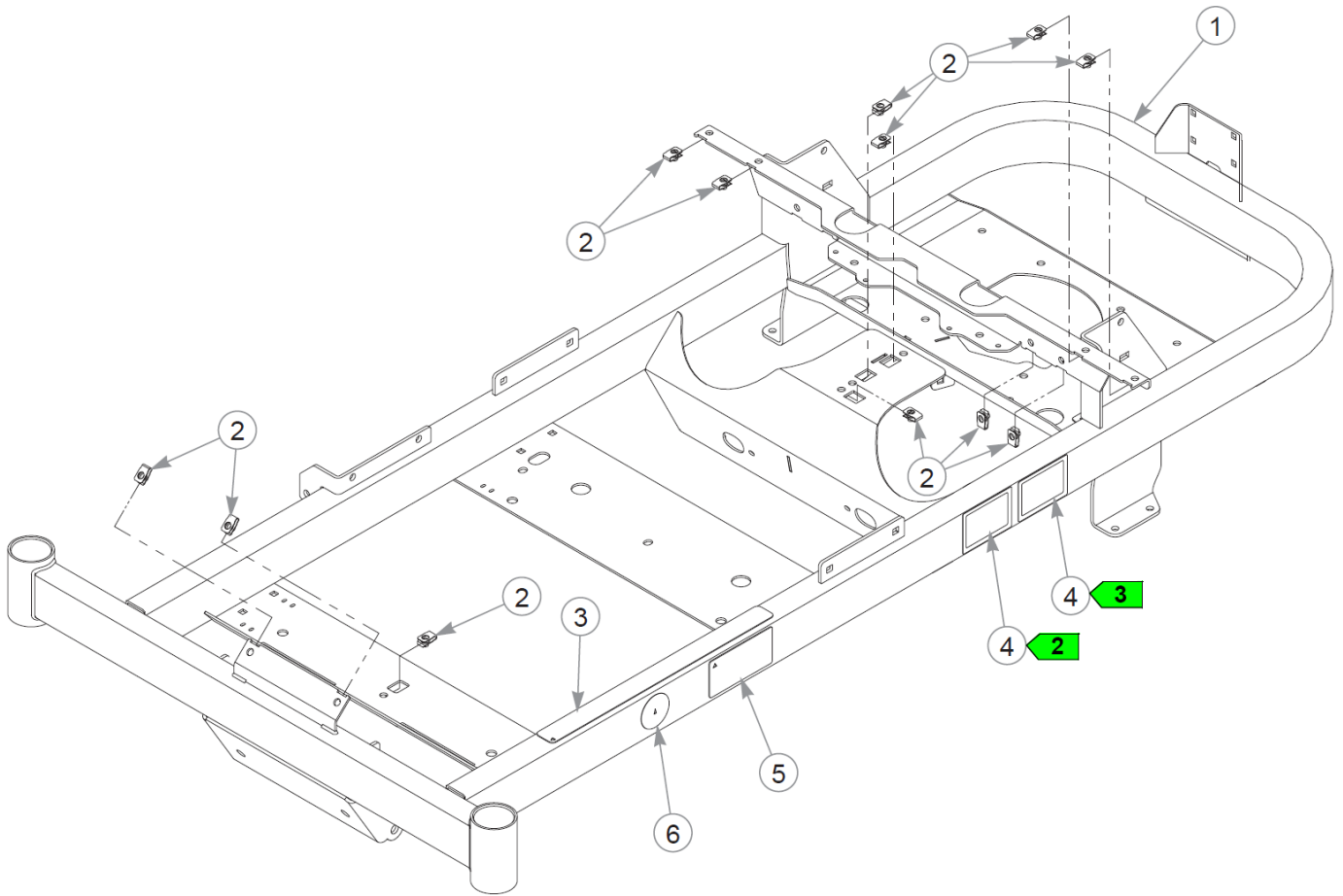
The following chart lists the standard torque values for the threaded fasteners found in this manual. Torque all cap screws, nuts and set screws to these values unless a different torque is shown in the Notes section next to the fastener.

SIZE	FT-LBS	N•M	SIZE	FT-LBS	N•M
.250	8.2	11.1	M3	1	1.3
.312	17	23	M4	2.2	3
.375	30	40	M5	4.5	6.1
.438	48	65	M6	7.7	10.4
.500	73	99	M8	18.5	25
.562	105	143	M10	37	50
.625	145	200	M12	64	87
.750	260	350	M14	80	108.5
.875	420	565	M16	160	215
1.00	625	850	M20	320	435
			M24	555	750

---

This page intentionally left blank

# Frame



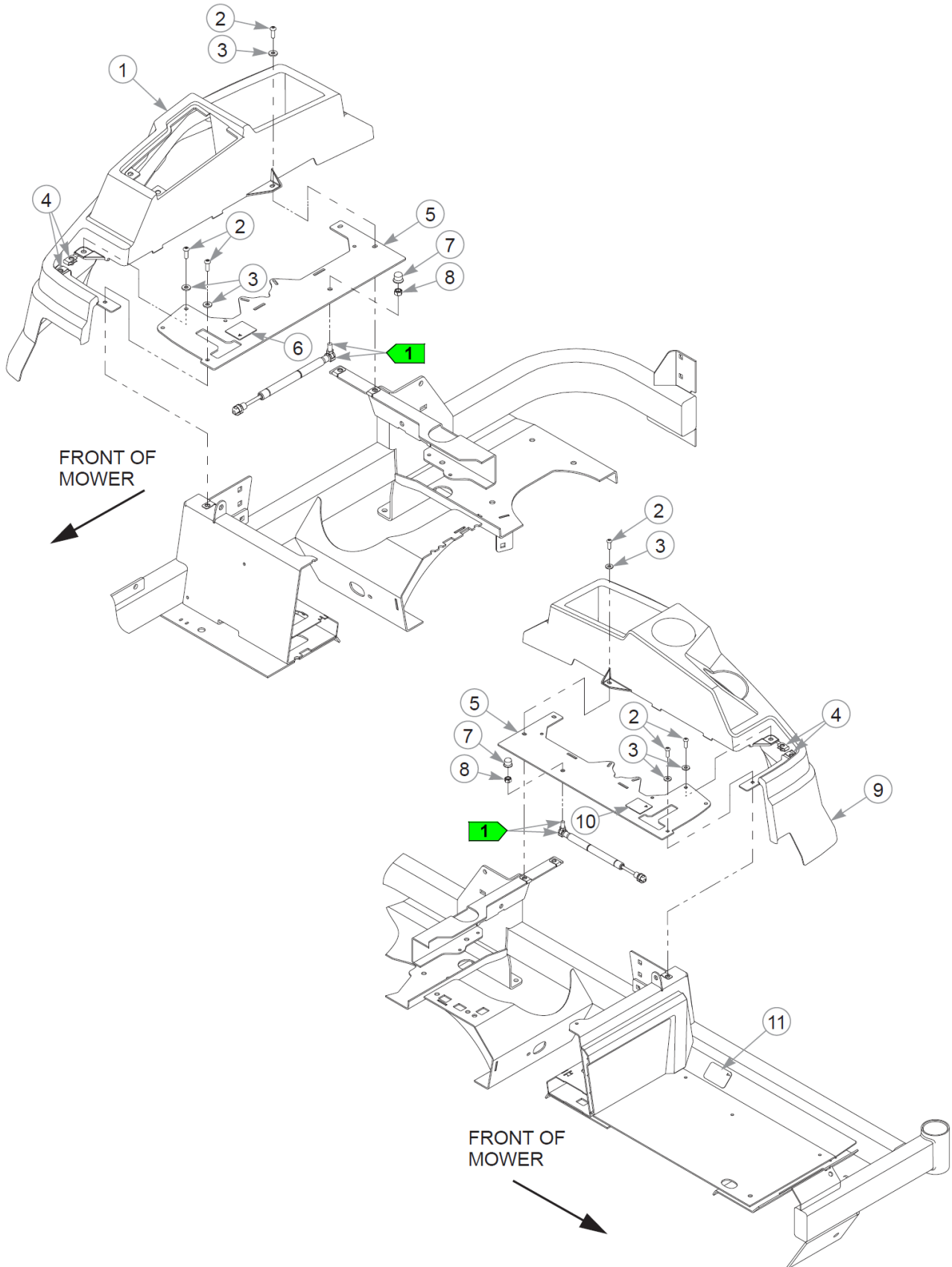
## Frame

Item	Part No.	Qty	Name
1	555653	1	SVC FRAME
2	601982	12	CN .250-20X .150 MAX THK
3	601981	1	DECAL, SAFE OPERATE-GRAY
4	N/A	3	SERIAL NUMBER / SPEC DECAL
5	600899	1	DECAL, PUMP BELT WARNING
6	608127	1	DECAL, USA, F&D
7	601967	1	DECAL, ENGINE COMPART
8	602407	1	DECAL, HUSTLER ID
9	602041	1	DECAL, HOT

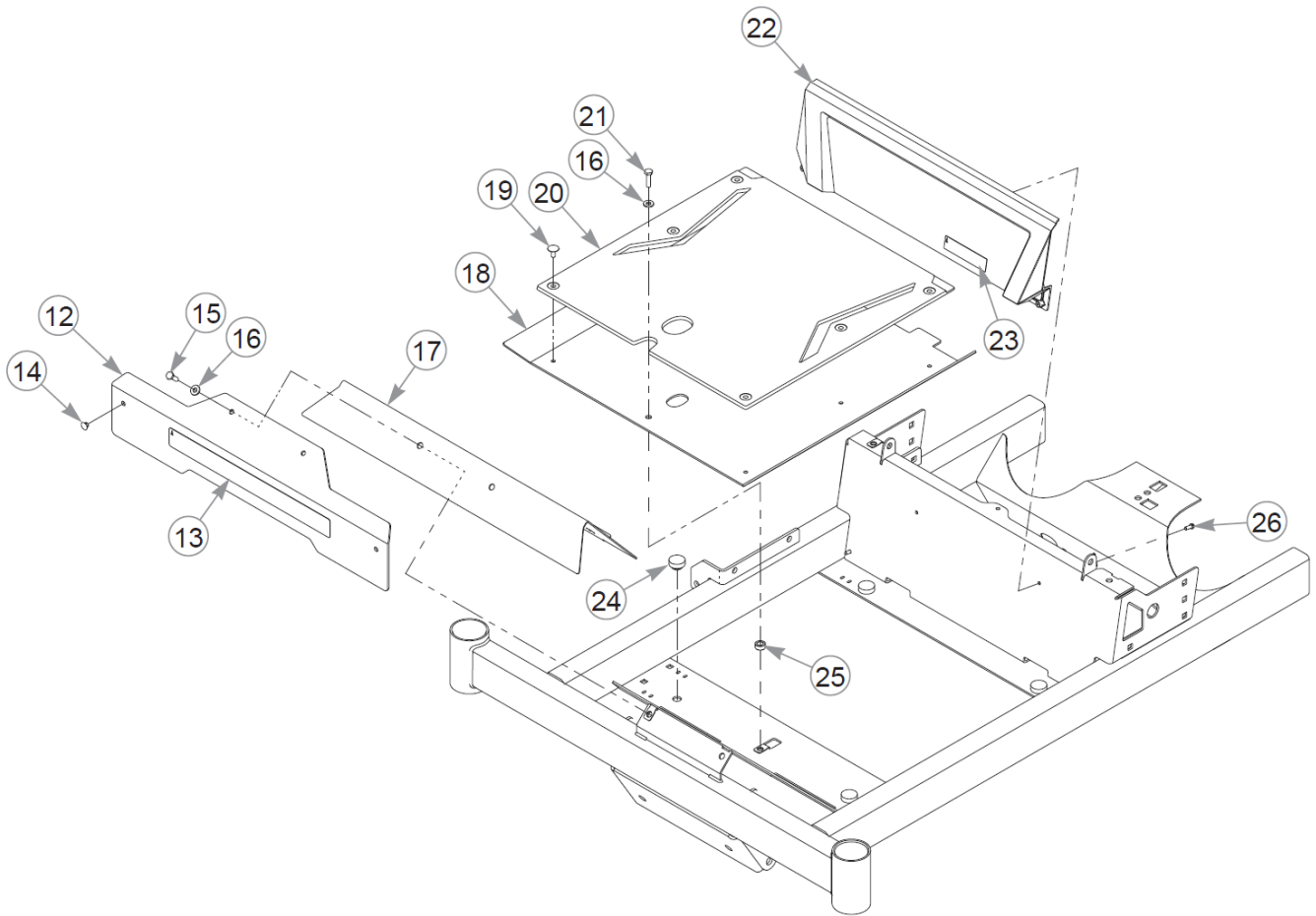
Comments for Page: Frame

1. Serial number decal. In the event the serial number decal becomes damaged or illegible, please contact your dealer to order a replacement.
2. EPA compliance decal.
3. Patent numbers decal.
4. The frame includes the decals and hardware.

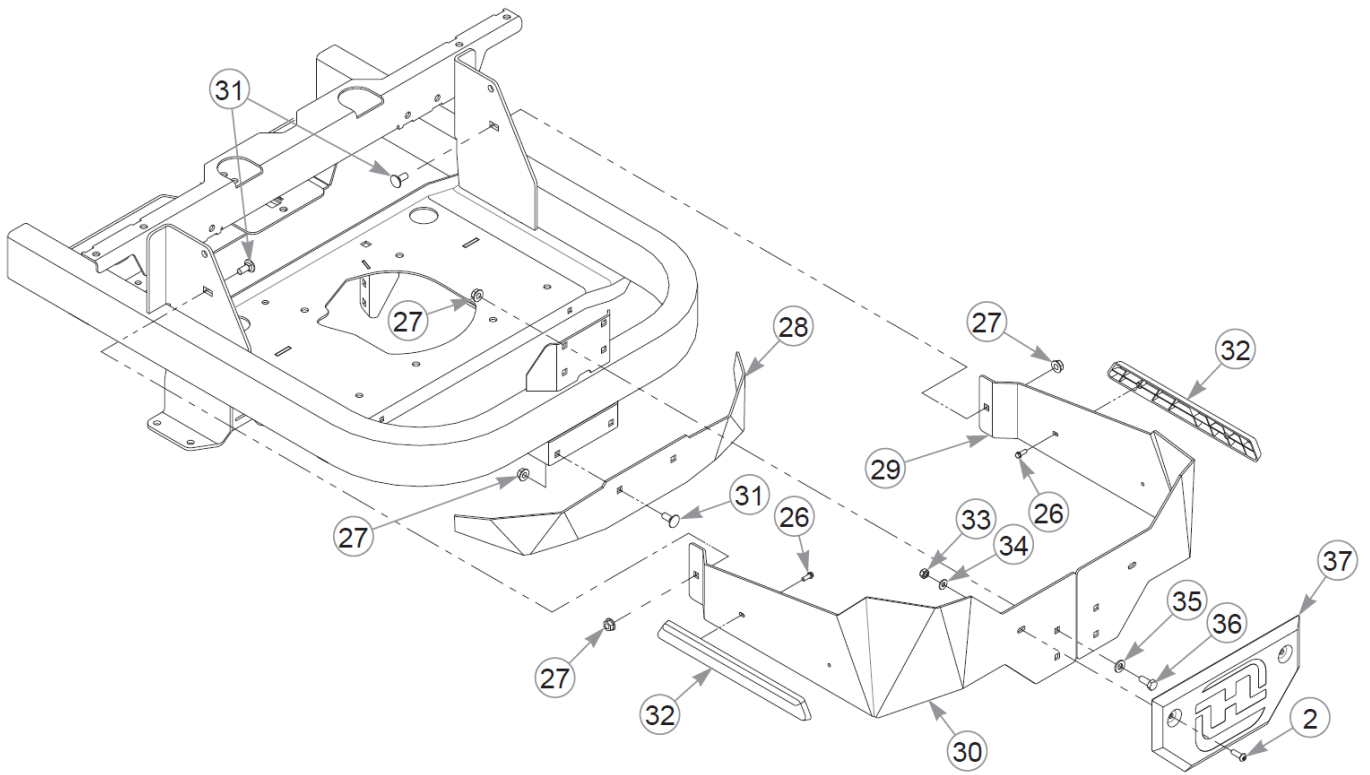




This page intentionally left blank



This page intentionally left blank



Item	Part No.	Qty	Name
1	607862	1	FENDER RIGHT
2	605473	12	CS .250-20X0.75 BH TX BZ
3	605628	10	FW 0.281X.63X.07 ZB
4	601982	4	CN .250-20X .150 MAX THK
5	555696	1	SVC, STEERING PLATE RH
Not Shown	555697	1	SVC, STEERING PLATE LH
6	785220	1	DECAL, STEERING R.S.
7	607913	2	HEX NUT CAP, 1/2"
8	058776	2	NT .312-18NLG5
9	607861	1	FENDER LEFT
10	785139	1	DECAL, STEERING L.S.
11	605782	1	DECAL, LEVEL FUEL BLOWM
12	555694	1	SVC, COVER FRONT
13	608095	1	DECAL, HUSTLER
14	608199	2	PLUG, .312" PLASTIC
15	055939	2	CS .250-20X0.75 HX G5 ZN
16	768515	3	FW 0.281SAE
17	126416-1	1	FOOTREST
18	555759	1	SVC, FLOOR PAN
19	607868	6	PUSH IN RIVET
20	607864	1	FLOOR MAT
21	056077	1	CS .250-20X1.000HXG5
22	555695	1	SVC, KICK PANEL
23	608092	1	DECAL, RAPTOR XL
24	781880	4	BUMPER, .500x 1.00x .31
25	118900	1	SPACER, DECK LIFT LINK
26	607892	8	CS #10-16 X 0.500 HX FLG
27	016832	8	NT .312-18FLKG5
28	607901-6	1	LOWER COVER
29	607903-1	1	ENGINE GUARD RH
30	607902-1	1	ENGINE GUARD LH
31	016253	4	CB .312-18X .750 FUL ZN
32	607906	2	SIDE MOLDING
33	068551	2	NT .250-20 HXZY NL
34	017079	2	FW .250SAE
35	768523	4	FW 0.343SAE

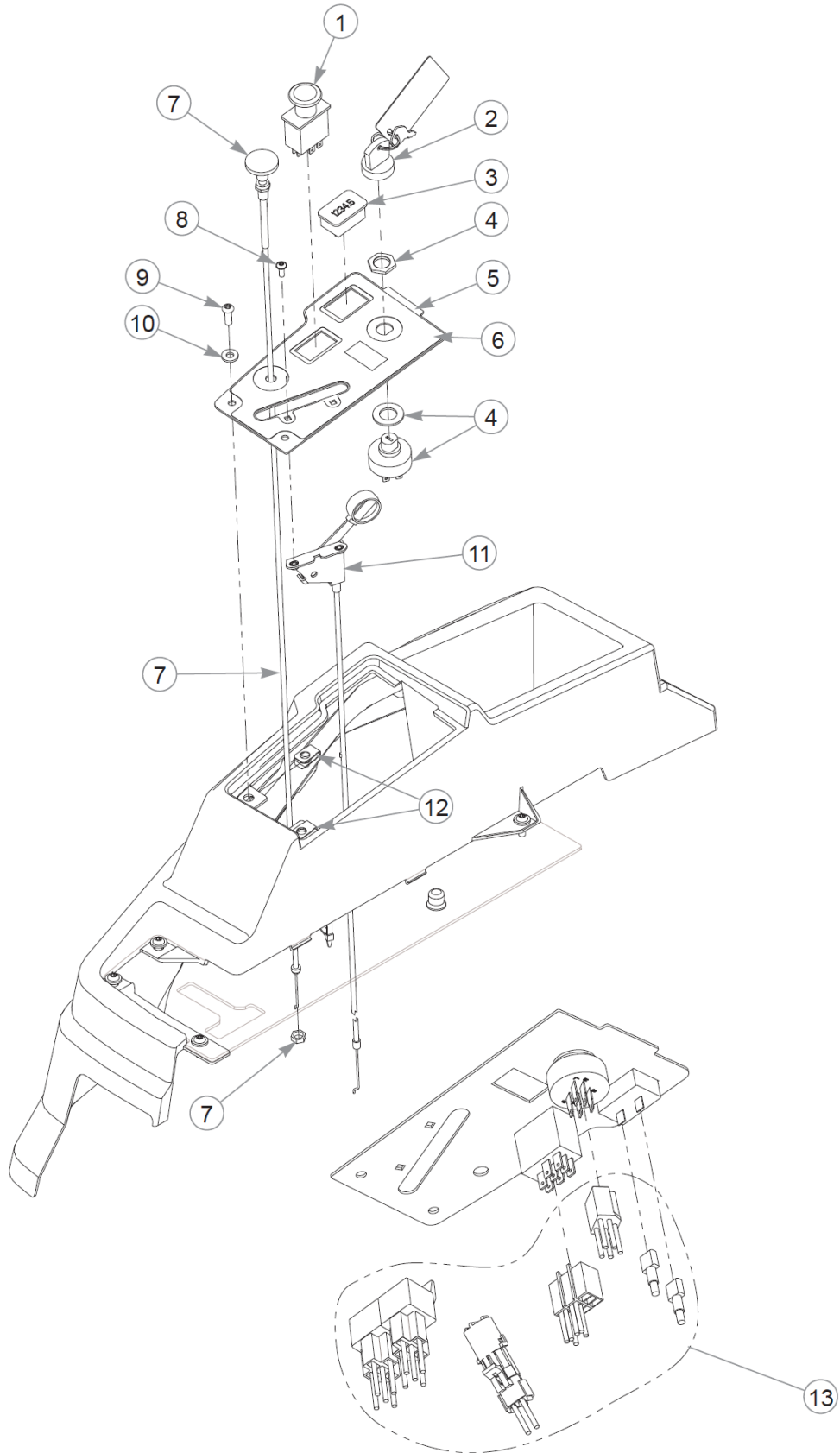
This page intentionally left blank

Item	Part No.	Qty	Name
36	034280	4	CS .312-18X0.750HXG5
37	607905	1	LOGO BADGE

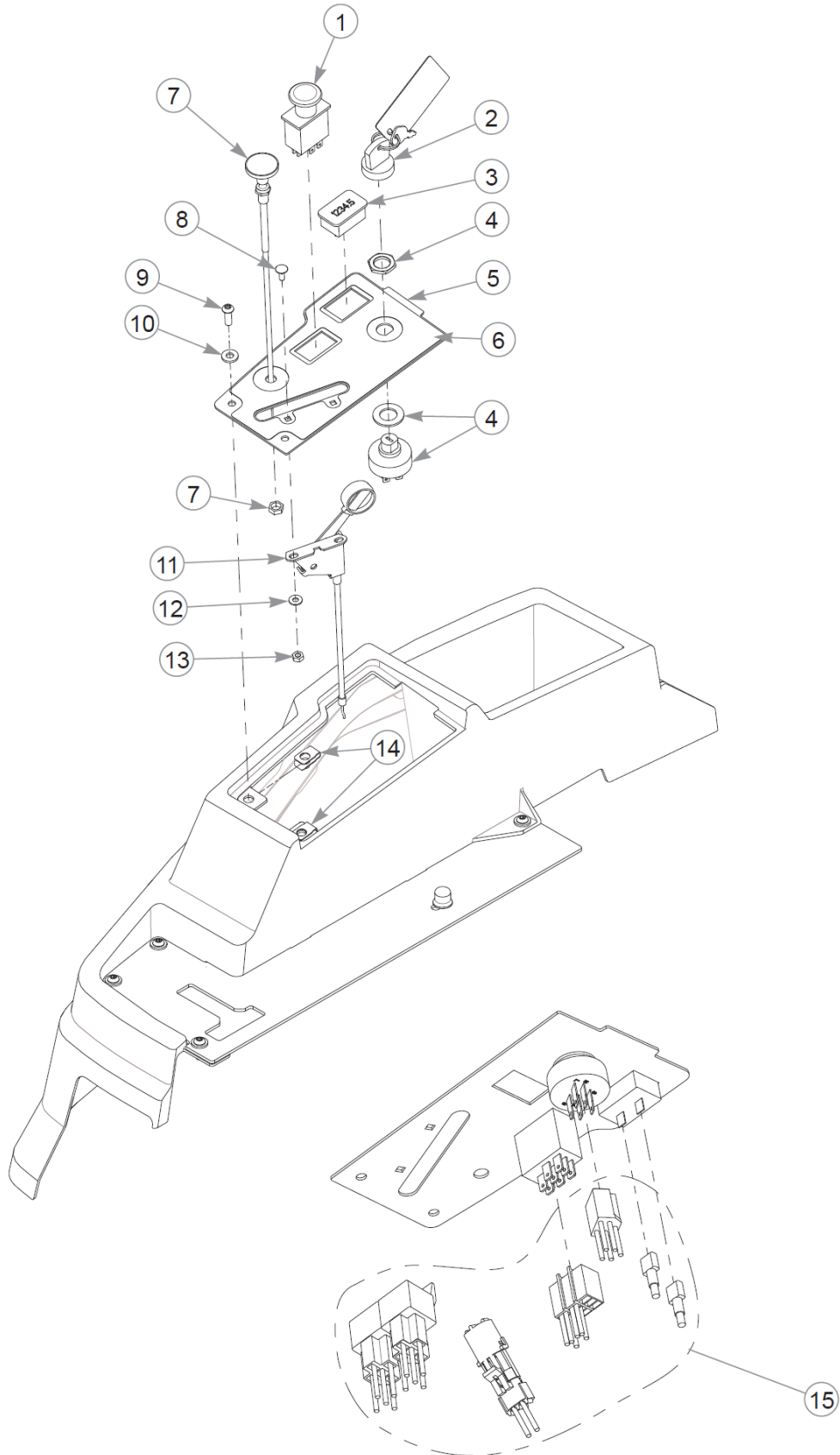
Comments for Page: Fenders, Floor Pan, Footrest & Engine Guard (Multi-Page)

1. Part of the Steering Assembly.
2. The steering plates, front cover, floor pan and kick panel include the decals.

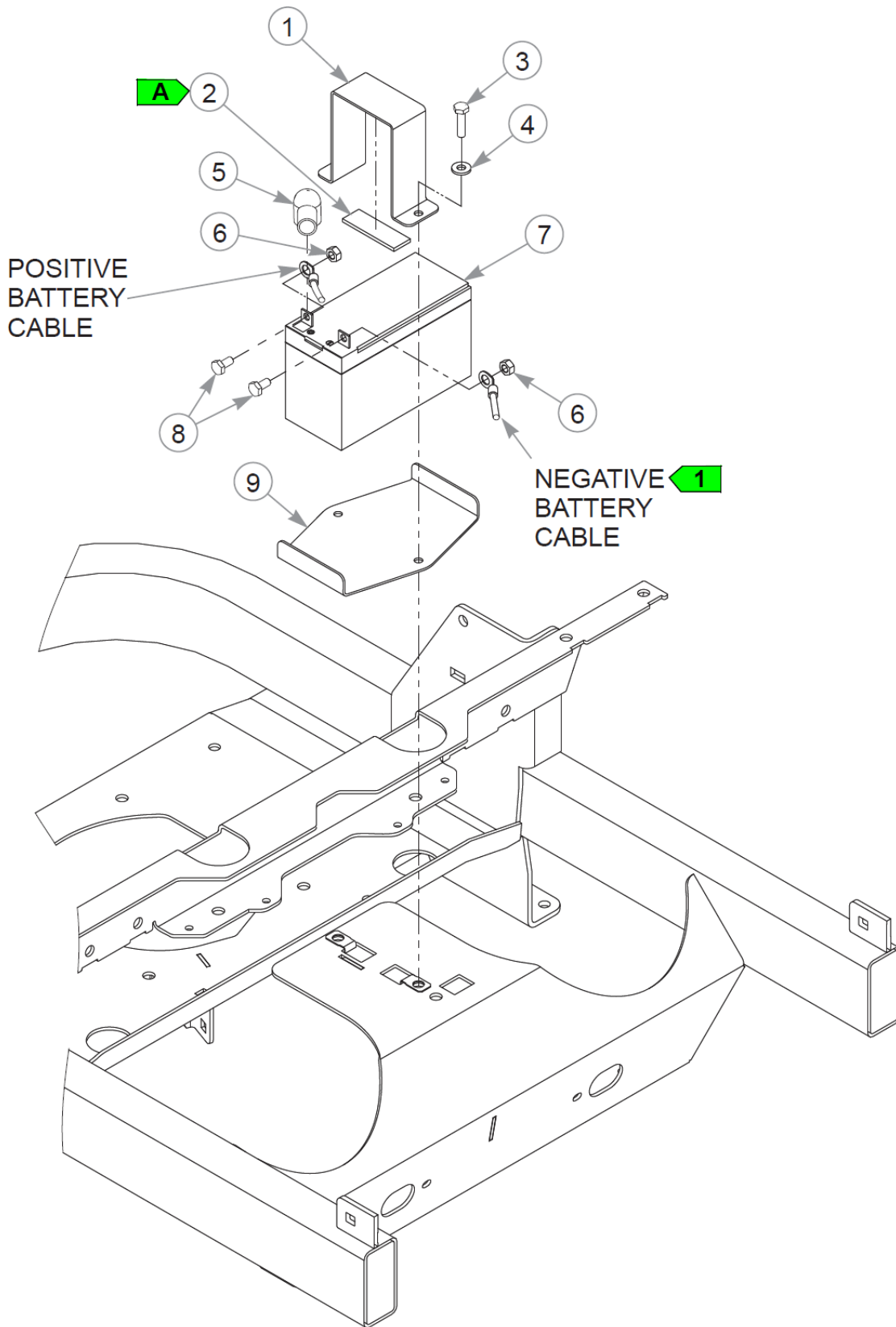




Item	Part No.	Qty	Name
1	776476	1	SWITCH, PTO 6201-321
2	785808	1	KEY ASSEMBLY
3	769166	1	HOUR METER
4	045898	1	IGNITION SWITCH
5	555705	1	SVC, INSTRUMENT PANEL
6	607973	1	DECAL, INST PANEL
7	608191	1	CABLE, CHOKE
8	606851	2	CS 10-24X .500 PH SH ZN
9	605473	2	CS .250-20X0.75 BH TX BZ
10	605628	2	FW 0.281X.63X.07 ZB
11	608190	1	CABLE, THROTTLE
12	601982	2	CN .250-20X .150 MAX THK
13	607950	1	WIRE HARNESS
14	000331	1	WIRE TIE, SMALL/SHORT



Item	Part No.	Qty	Name
1	776476	1	SWITCH, PTO 6201-321
2	785808	1	KEY ASSEMBLY
3	769166	1	HOUR METER
4	045898	1	IGNITION SWITCH
5	555705	1	SVC, INSTRUMENT PANEL
6	607973	1	DECAL, INST PANEL
7	601097	1	CABLE, CHOKE
8	601098	2	CB 10-24 X .500 ZYNC
9	605473	2	CS .250-20X0.75 BH TX BZ
10	605628	2	FW 0.281X.63X.07 ZB
11	601096	1	CABLE, THROTTLE
12	704932	2	FW 0.219X.50X.05 ZN
13	059832	2	NT #10-24 HX NL ZN
14	601982	2	CN .250-20X .150 MAX THK
15	607950	1	WIRE HARNESS



## Battery

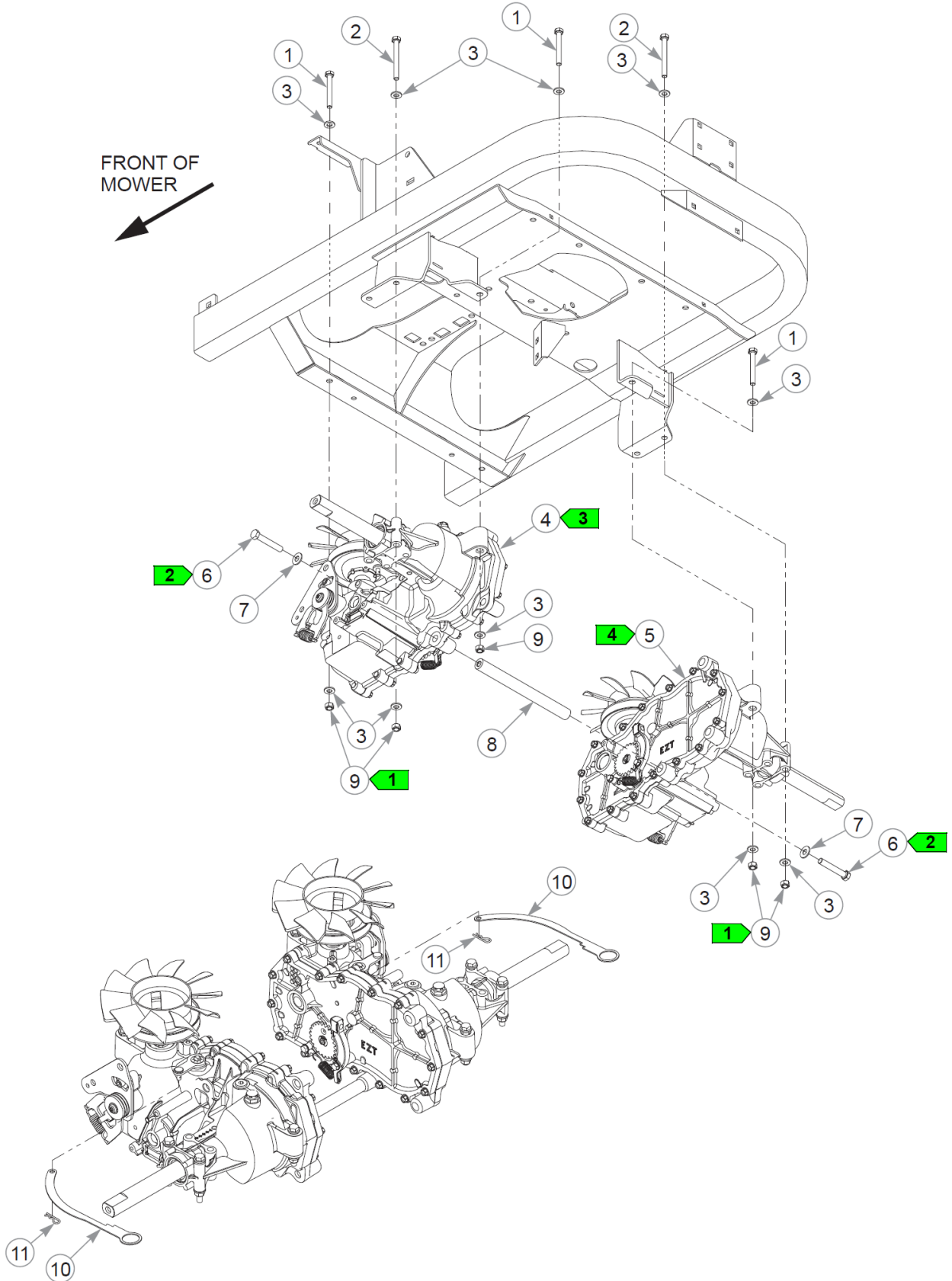
Item	Part No.	Qty	Name
1	126384-1	1	BATTERY HOLD DOWN
2	033035	2.35"	WEATHERSTRIP .12X.75
3	056077	2	CS .250-20X1.000HXG5
4	768515	2	FW 0.281SAE
5	601319	1	POS. BATTERY CABLE BOOT
6	024927	2	NT .250-20HXG5
7	607723	1	BATTERY, AGM 12V 9AMH
8	055947	2	CS .250-20X0.50 HX G5 ZN
9	126383-1	1	BATTERY BASE

Comments for Page: Battery

1. When performing service on the mower, disconnect the negative battery cable (black) and do not reconnect it to the battery until ready to start the engine.

WEATHERSTRIP LENGTH

A: 2.35"



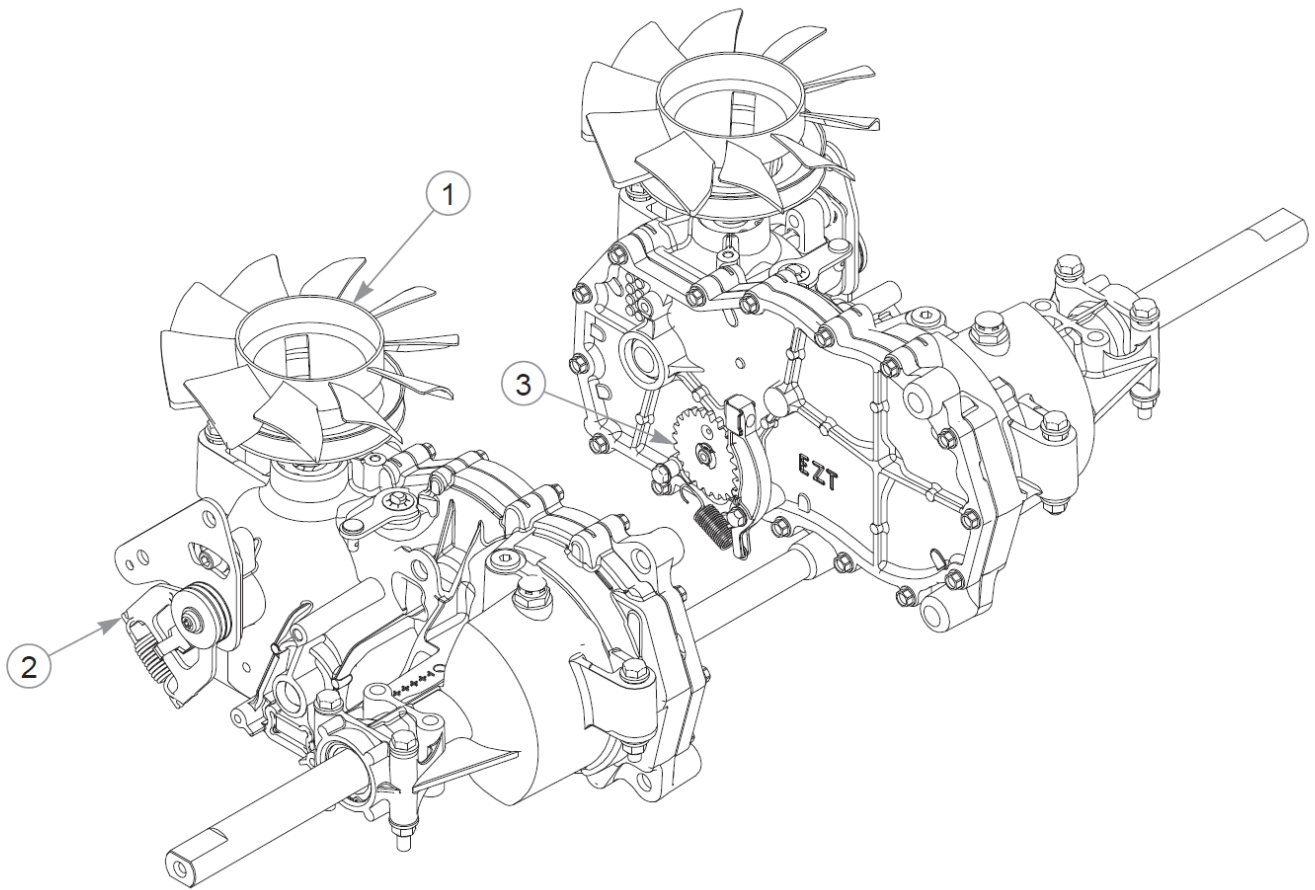
## Transmissions

Item	Part No.	Qty	Name
1	710087	4	CS .312-18X2.500HXG5
2	043067	4	CS .312-18X3.000HXG5
3	768523	16	FW 0.343SAE
4	607749	1	EZT, 19.21:1 TRANS
5	607750	1	EZT, 19.21:1 TRANS
6	608241	2	CS .375-16X2.250HXG8
7	712919	2	FW 0.406X1.00X.12 HD ZN
8	607825	1	TORSION ROD, RTR
9	058776	8	NT .312-18NLG5
10	607826-1	2	LINK, TOW VALVE
11	706549	2	HP0.080X1.190

Comments for Page: Transmissions

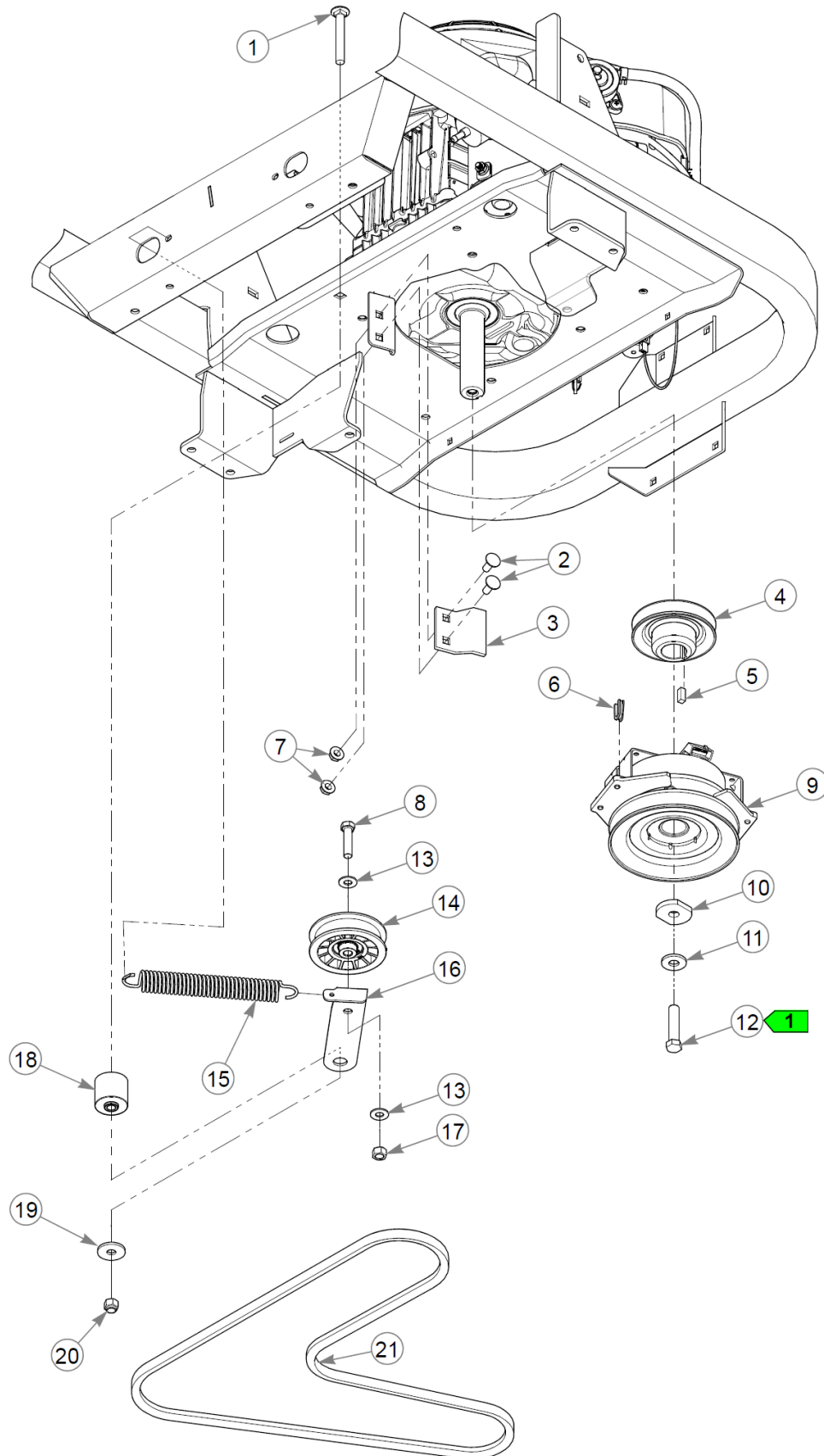
1. Torque to 17 ft-lbs.
2. Torque to 44 ft-lbs.
3. Left side transmission.
4. Right side transmission.





## Transmission Service Parts

Item	Part No.	Qty	Name
1	602094	1	FAN / PULLEY KIT
2	607942	1	BRAKE PAWL KIT
3	798363	1	GEAR, PARK BRAKE

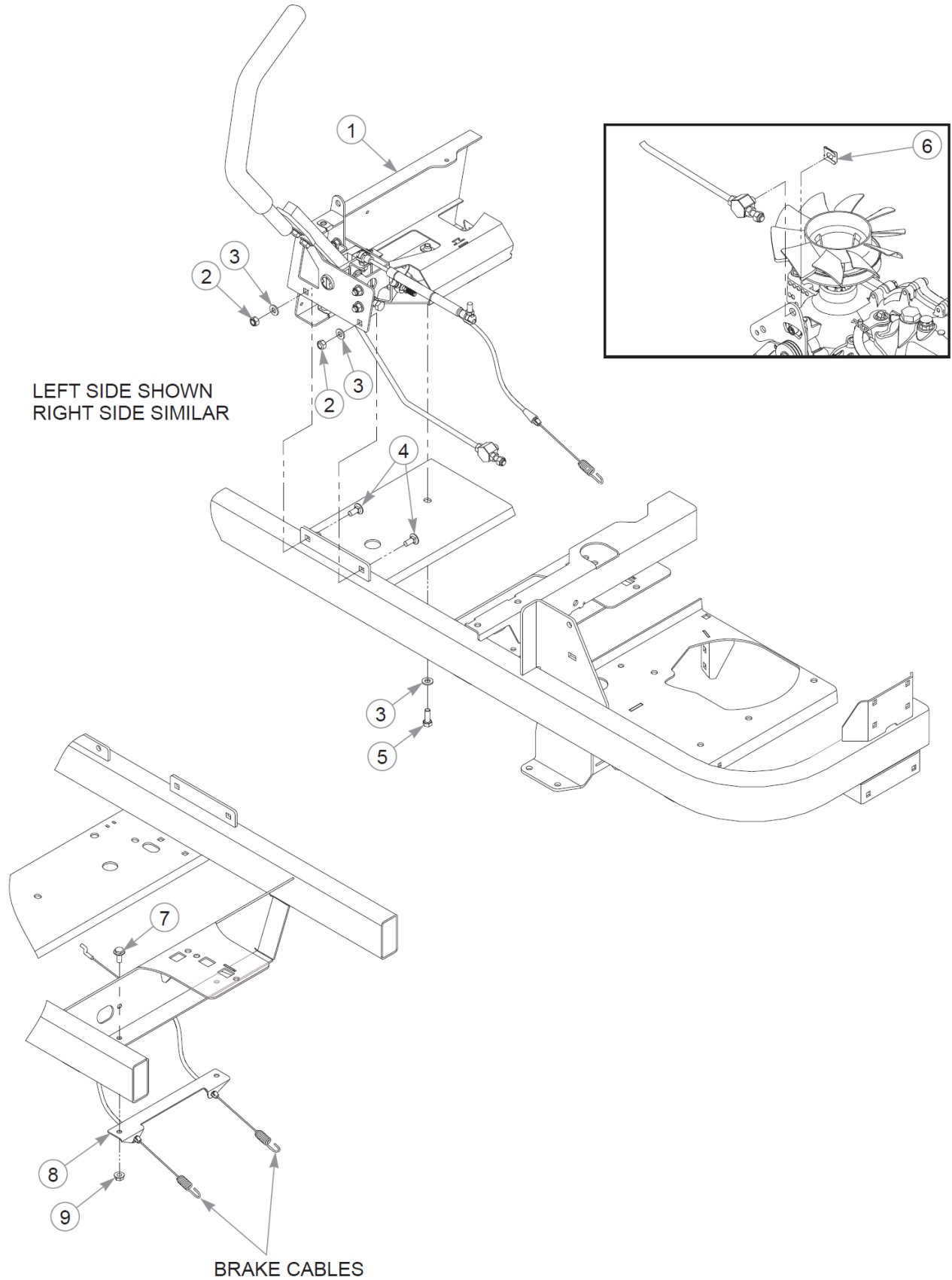


## Drive Belt & Clutch

Item	Part No.	Qty	Name
1	604343	1	CB .375-16 X 2.25 STD ZN
2	016253	2	CB .312-18X .750 FUL ZN
3	126203-1	1	CLUTCH ANCHOR
4	607990	1	PULLEY, ENG 4.118OP
5	712372	1	KEY 1/4 SQ X 0.66 LG(FS)
6	607827	1	BUSHING, CLUTCH
7	016832	2	NT .312-18FLKG5
8	080655	1	CS .375-16X1.500HXG5
9	607757K	1	KIT, CLUTCH
10	607828	1	FW .468X1.625X.25 DD
11	602680	1	FW .453X1.12X.12 HRD ZN
12	607945	1	CS .437-20X2.00 HX G5 ZN
13	767954	2	FW 0.379X.82X.06 HD ZN
14	607163	1	PULLEY, 3" FLAT POLY
15	607585	1	SPRING, EXTENSION
16	607837	1	TENSIONER
17	054502	1	NT .375-16HXG5
18	607763	1	SPACER, PIVOT IDLER
19	712893	1	FW 0.406X1.25X.12 HD ZN
20	086660	1	NT .375-16NLG8
21	607830	1	DRIVE BELT

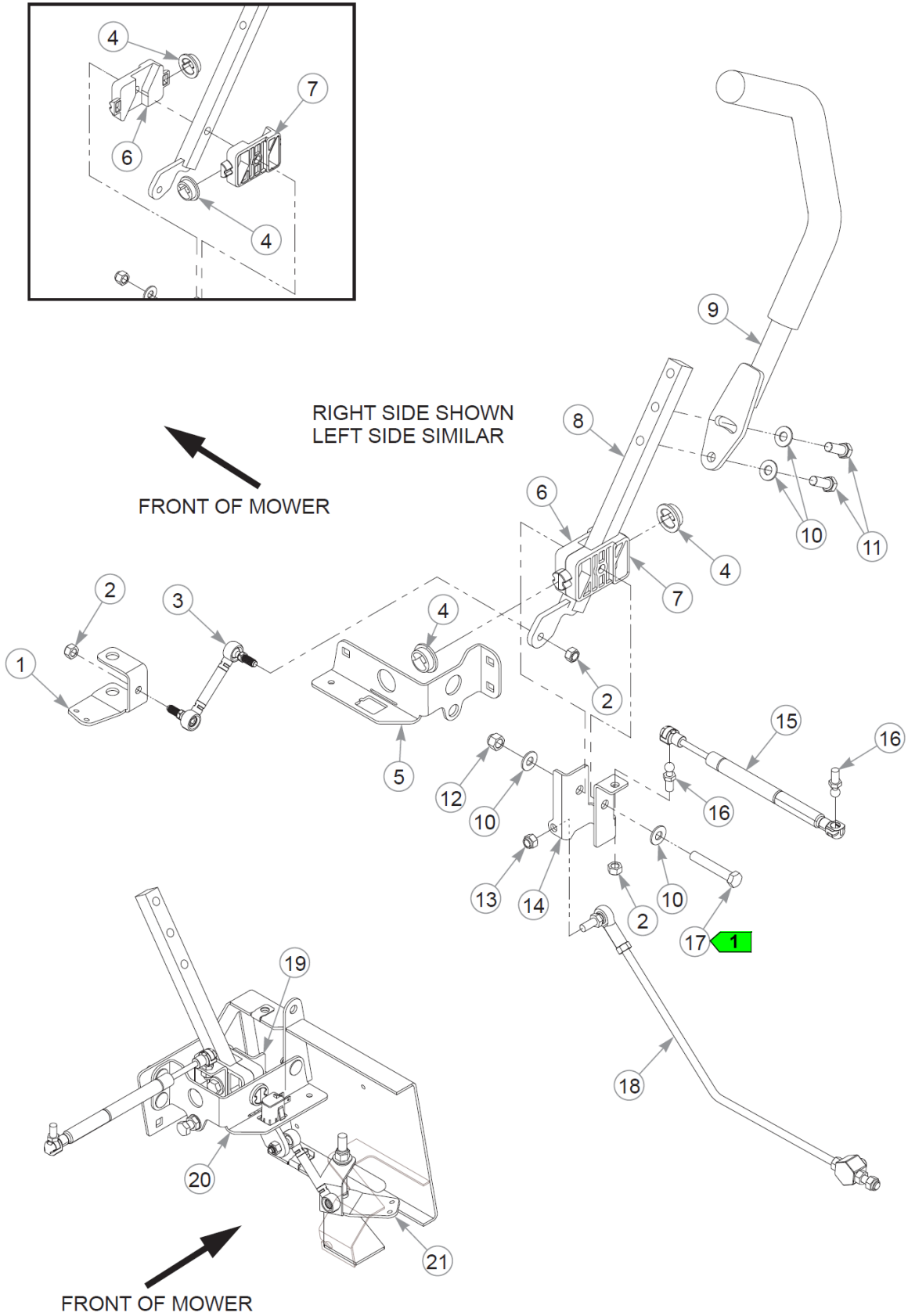
Comments for Page: Drive Belt & Clutch

1. Torque to 45-48 ft-lbs.
2. The idler must pivot freely.



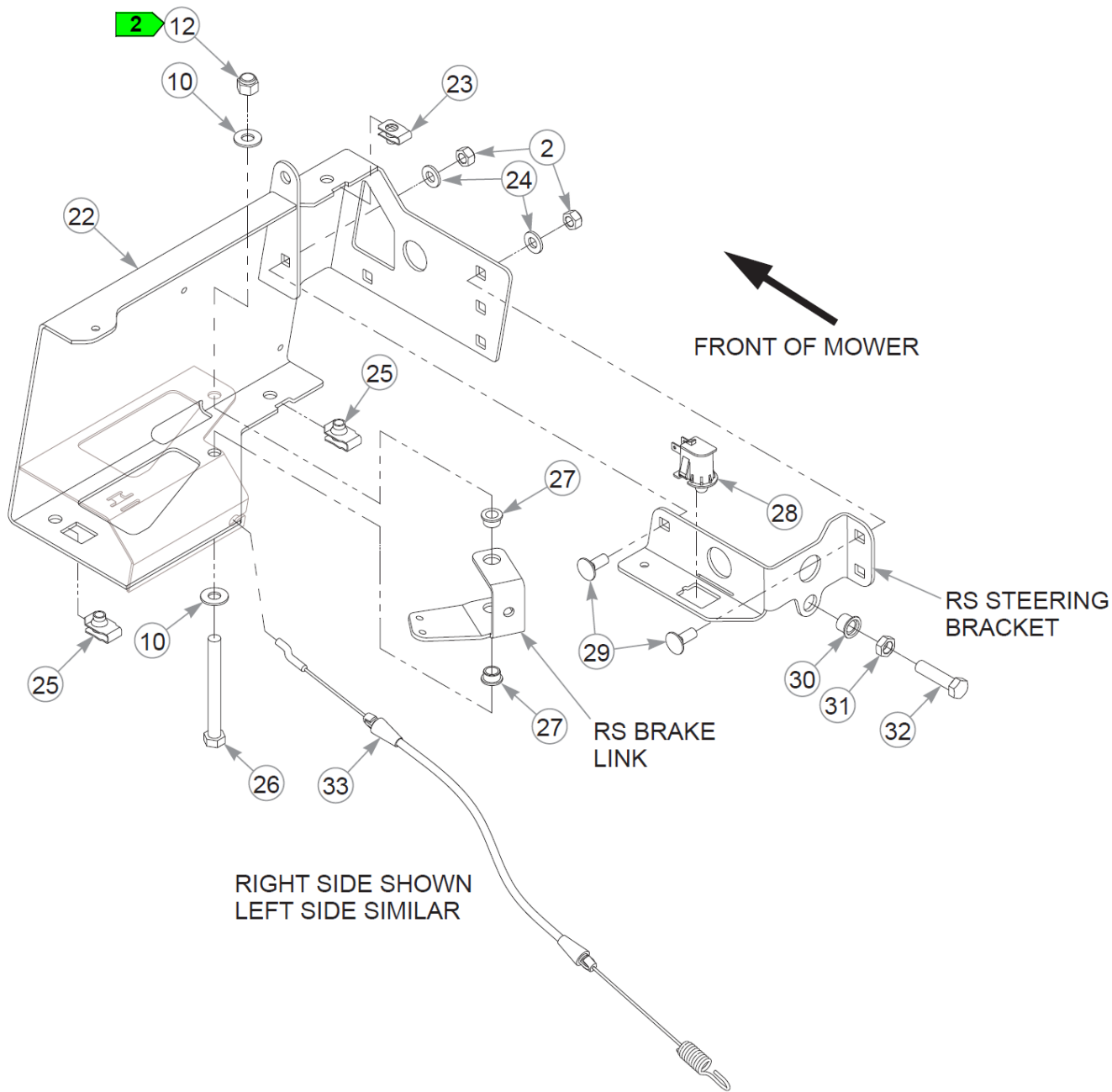
## Steering & Brake

Item	Part No.	Qty	Name
1	N/A	1	REFER TO "STEERING ASSEMBLY"
2	058776	4	NT .312-18NLG5
3	768523	7	FW 0.343SAE
4	016253	4	CB .312-18X .750 FUL ZN
5	064014	3	CS .312-18X0.875HXG5
6	606575	2	CLIP, SAFETY
7	029710	2	CS .312-18X .750 HXFLK
8	126365-1	1	MOUNTING BRKT BRAKE CABL
9	016832	2	NT .312-18FLKG5



This page intentionally left blank





Steering Assembly (Multi-Page)

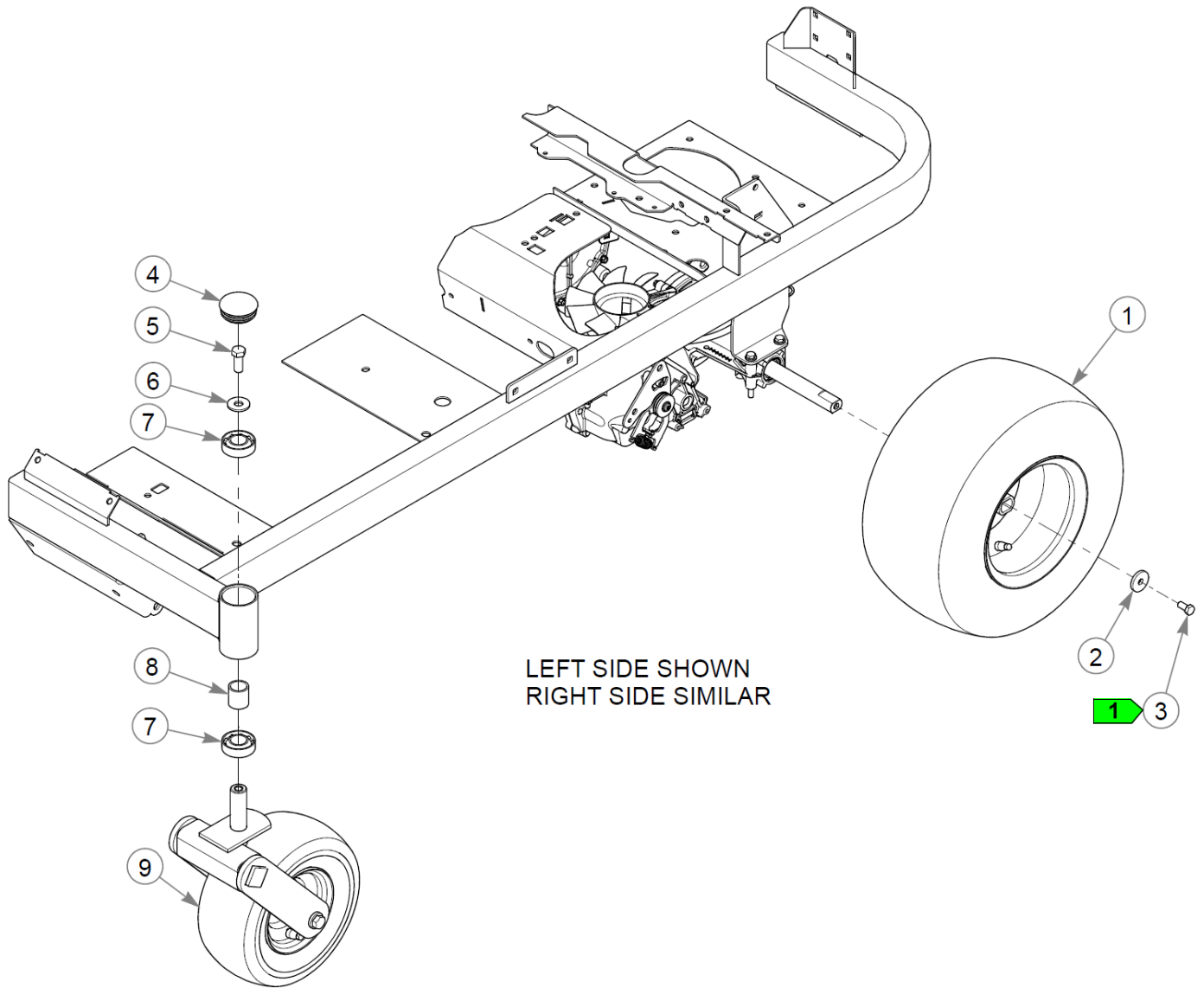
Item	Part No.	Qty	Name
1	126362-1	1	BRAKE CRANK RIGHT
2	058776	12	NT .312-18NLG5
3	604179	2	BRAKE LINK
4	607078	4	STEERING BUSHING
5	126360-1	1	STEERING BRACKET RIGHT
6	607077	2	STEERING BLOCK A
7	607076	2	STEERING BLOCK B
8	607957-4	2	STEERING LEVER W/A
9	607069	2	STEERING BAR W/A
Not Shown	781260	1	GRIP, STEERING BAR
10	767954	12	FW 0.379X.82X.06 HD ZN
11	036244	4	CS .375-16X1.00 HX G5 ZN
12	086660	4	NT .375-16NLG8
13	023655	2	NT 0.312-24 NL G8
14	126361-1	1	STEERING LINKAGE MOUNT
15	603983	2	DAMPER
16	781922	4	BALL STUD
17	056036	2	CS .375-16X2.250HXG5
18	607938	2	STEERING ROD S/A
19	126359-1	1	STEERING LINKAGE LEFT
20	126358-1	1	STEERING BRKT LH
21	126363-1	1	BRAKE CRANK LEFT
22	126357-6	1	STEERING COVER W/A
23	601982	2	CN .250-20X .150 MAX THK
24	768523	6	FW 0.343SAE
25	601069	3	CN .312-18x.200 MAX THK
26	005108	2	CS .375-16X3.500HXG5
27	765339	4	BUSHING,IGUS#0608 (FS)
28	793315	2	SWITCH, SNAP MOUNT
29	016253	6	CB .312-18X .750 FUL ZN
30	808493	2	RIVET NUT, 3/8-16 THREA
31	706168	2	NT .375-16JAMG5
32	604365	2	CS .375-12X1.50 HX G5 ZN
33	607965	2	BRAKE CABLE

Comments for Page: Steering Assembly (Multi-Page)

## Steering Assembly (Multi-Page)

1. Torque to 11 ft-lbs.
2. Do not torque; the brake bell crank must pivot freely.
2. The steering arm includes the grip.

This page intentionally left blank

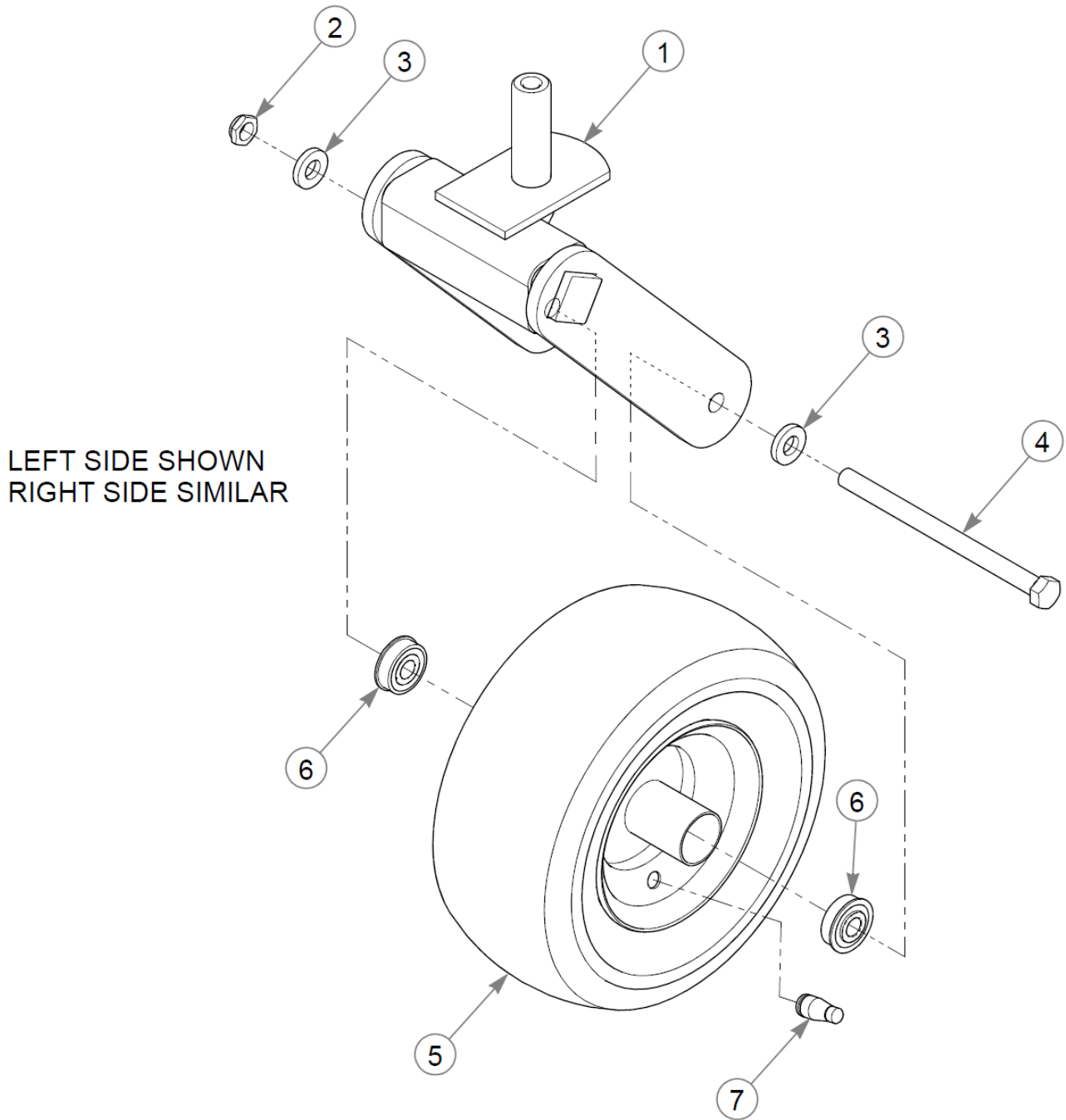


## Wheels & Tires

Item	Part No.	Qty	Name
1	607809	2	TIR/WHL 18X8.50-8 BLK
2	608019	2	FW .399X 1.375X.188 HDZN
3	055822	2	CS .375-16X0.75 HX G5 ZN
4	607831	2	BEARING CAP
5	705954	2	CS .500-13X1.25 HX G5 ZN
6	712976	2	FW 0.531X1.38X.12 ZN
7	784223	4	BEARING
8	784603	2	SPACER
9	N/A	2	REFER TO "FRONT WHEEL ASSEMBLY"

Comments for Page: Wheels & Tires

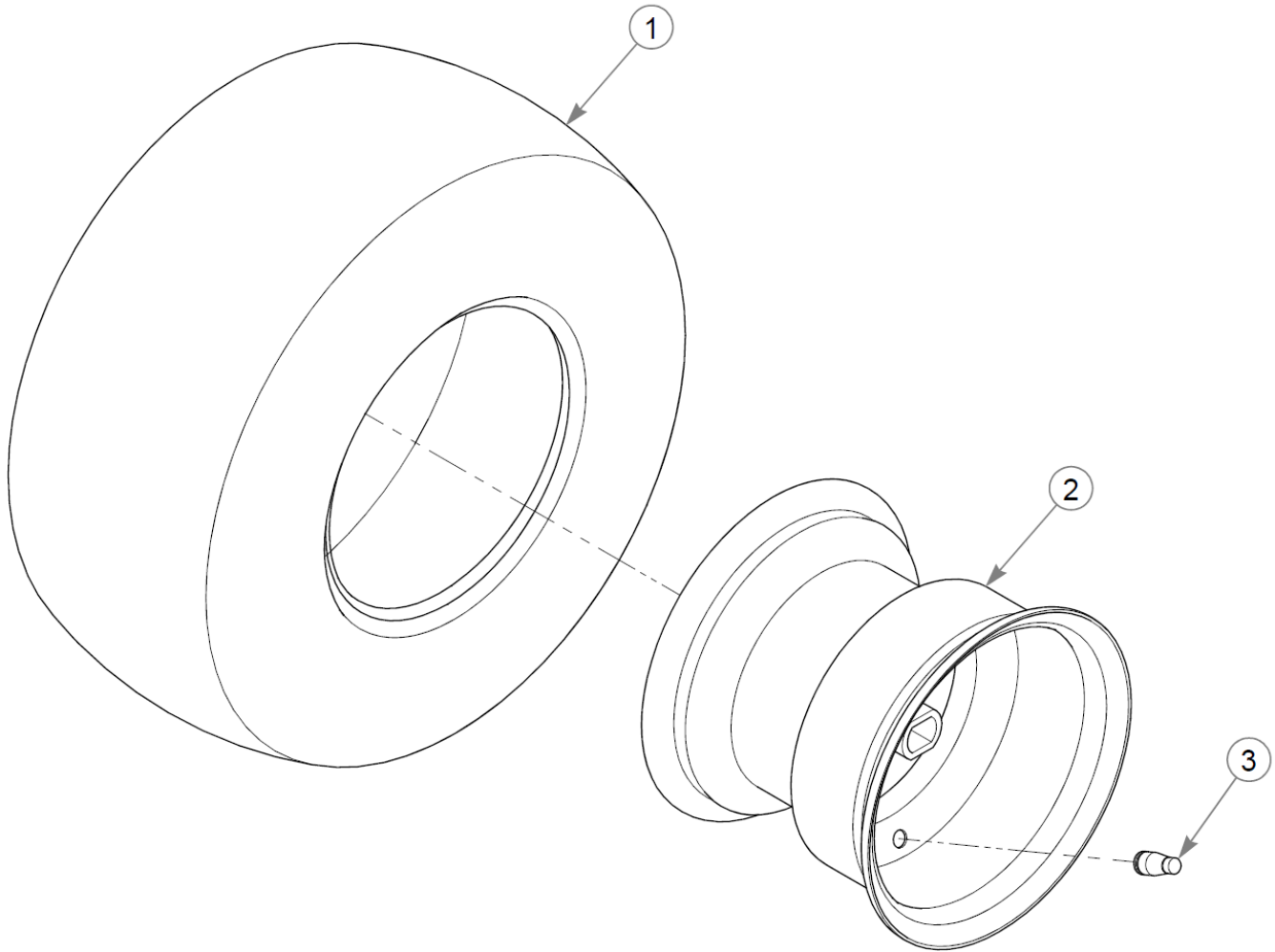
1. Torque to 31 ft-lbs.



## Front Wheel Assembly

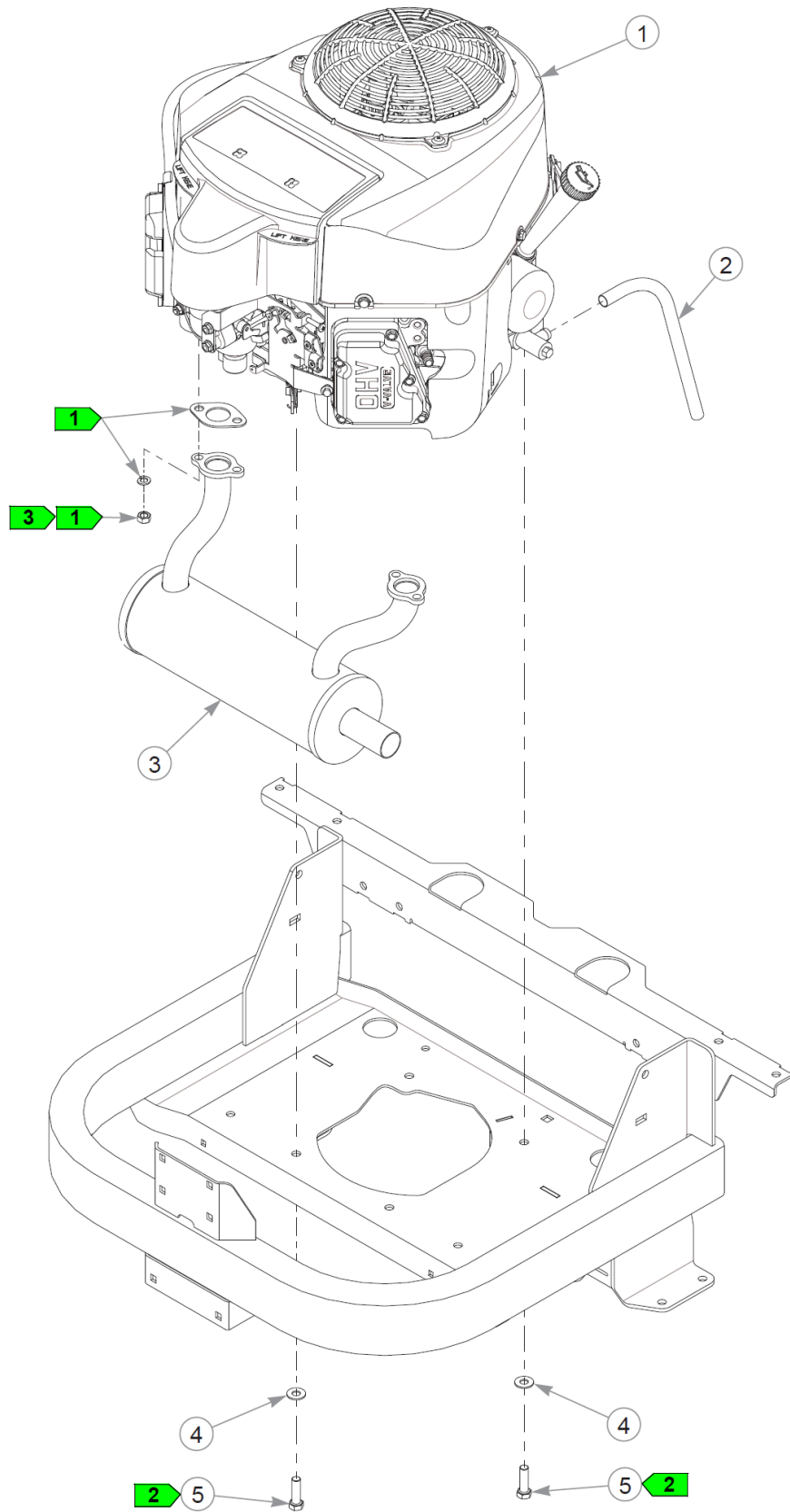
Item	Part No.	Qty	Name
1	608242	1	KIT, FLEX FORKS
2	707398	1	NT .500-13 JAM NY LK
3	767962	2	FW .531 x 1.063 x .175
4	607943	1	CS .500-13X7.000HXG5
5	607934	1	TIR/WHL 11x5.00-5 BLK
6	607026	2	BEARING, BALL SEALED
7	019521	1	TIRE VALVE TR-412 GOODY



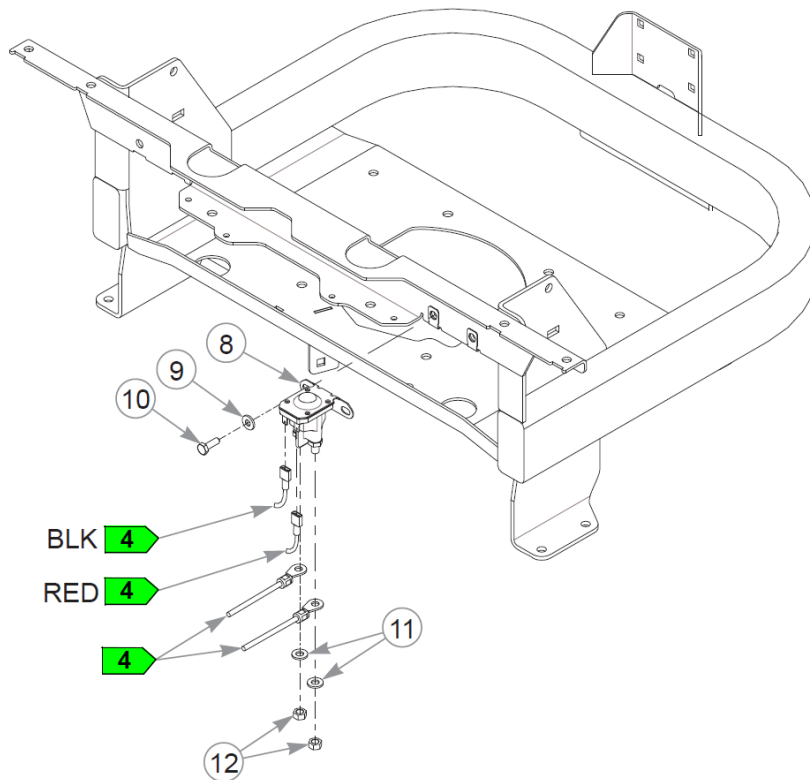
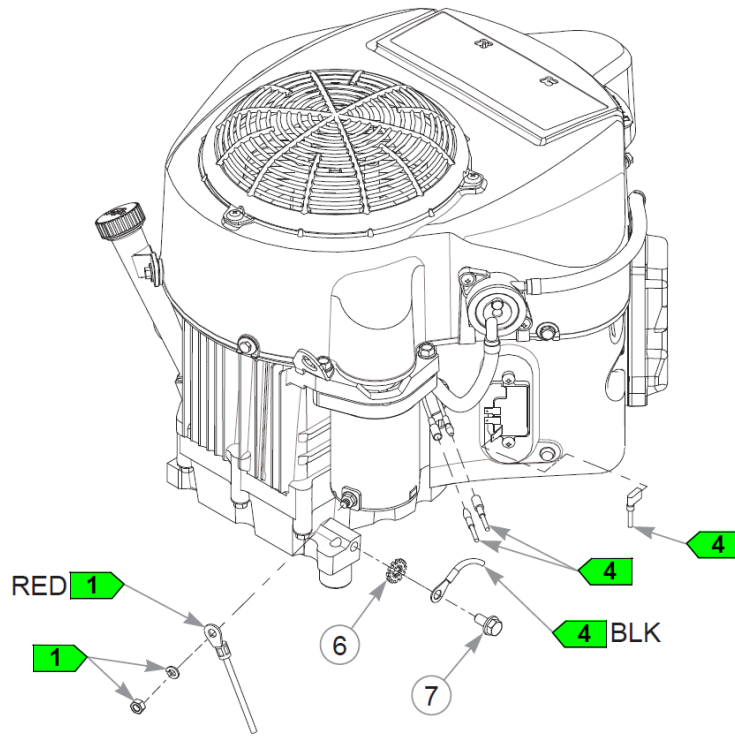


## Drive Wheel Breakdown

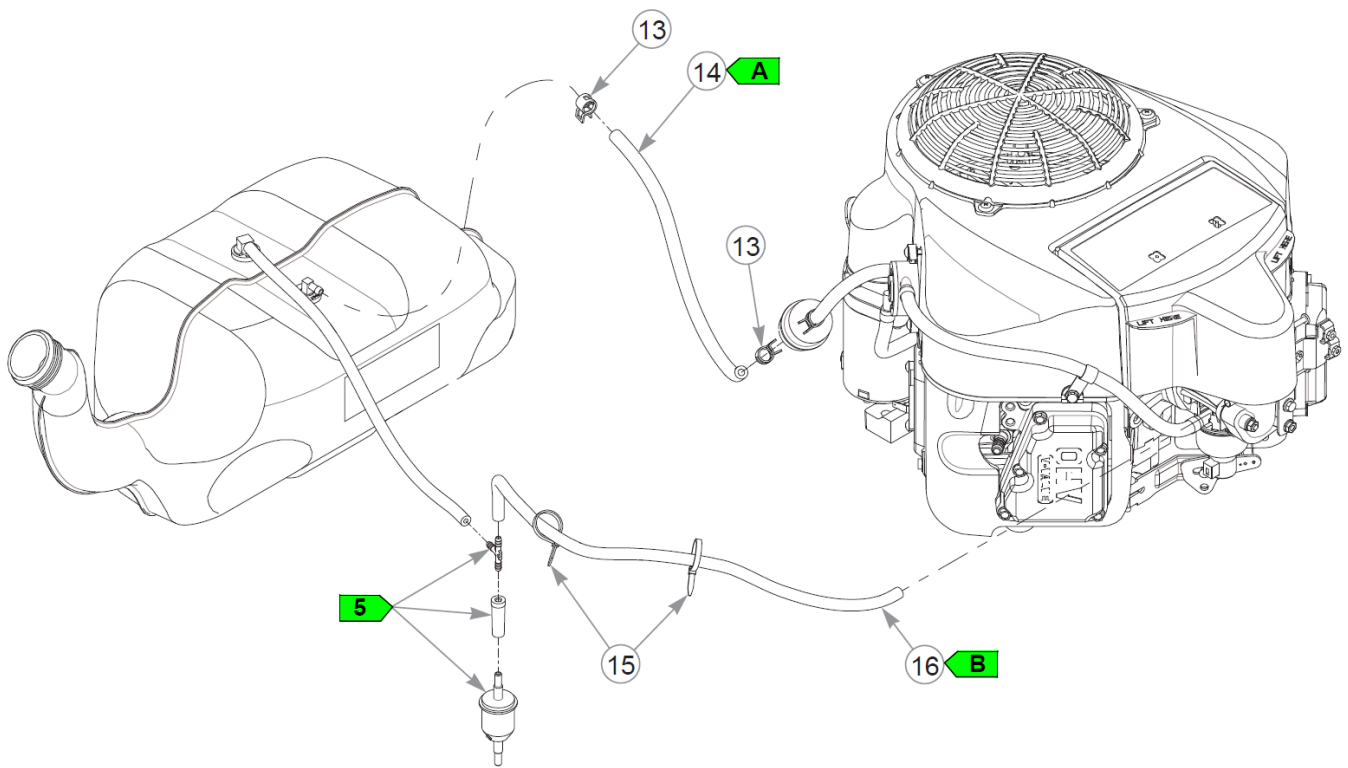
Item	Part No.	Qty	Name
1	607795	1	TIR 18X8.50-8 B2R BGBT
2	607791	1	WHL 8X7.00 0X0.0 BLK
3	019521	1	TIRE VALVE TR-412 GOODY



This page intentionally left blank



This page intentionally left blank



Item	Part No.	Qty	Name
1		1	ENGINE, KAWASAKI FR651V
2	604463	1	HOSE, OIL DRAIN
3	607854	1	MUFFLER
4	767954	4	FW 0.379X.82X.06 HD ZN
5	602580	4	CS .375-16X1.25HXG8ZYP85
6	029876	1	LW .312 INTEXT ZN
7	720516	1	CS M8-1.25X16HX FL10.9
8	606445	1	STARTER SOLENOID
9	768515	2	FW 0.281SAE
10	055939	2	CS .250-20X0.75 HX G5 ZN
11	768523	2	FW 0.343SAE
12	041152	2	NT 0.312-24 HX G8
13	000323	2	CLIP, HOSE CLAMP
14	015818	13"	FUEL LINE, 1/4"
Comments for Part Num. 015818			
Sold by the foot.			
15	000331	2	WIRE TIE, SMALL/SHORT
16	603326	25"	VAPOR LINE, 3/16"
Comments for Part Num. 603326			
Sold by the foot.			

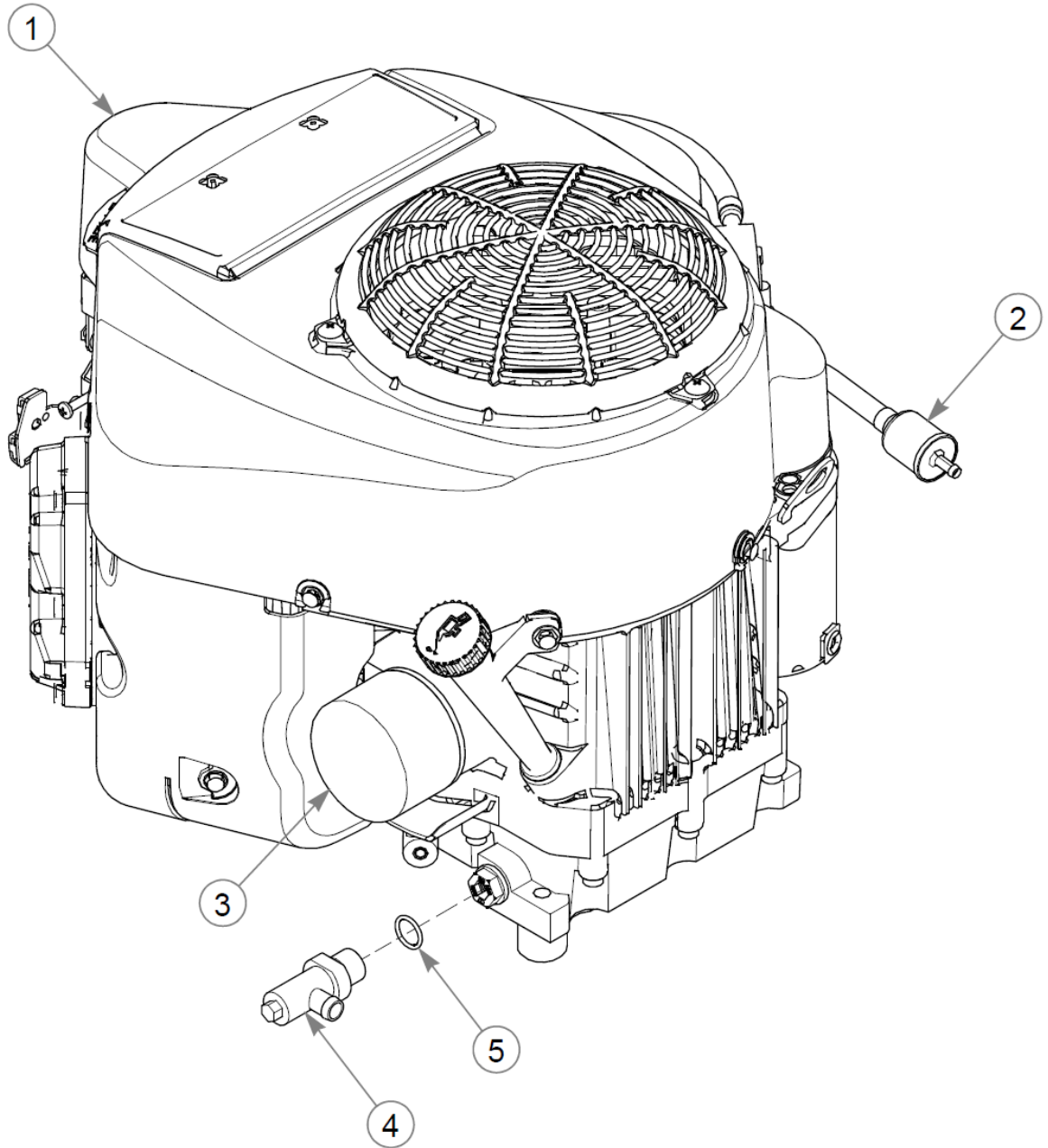
Comments for Page: Engine & Muffler (Multi-Page)

1. Supplied with the engine.
2. Torque to 30–35 ft-lbs. Replace (do not reuse) the cap screw if it is removed or loosened. Use only hand tools to install this fastener.
3. Torque to 17 ft-lbs.
4. Part of the wire harness.
5. Part of the fuel system.
6. Make sure the throttle lever is in the full throttle detent position.

FUEL & VAPOR LINE LENGTHS

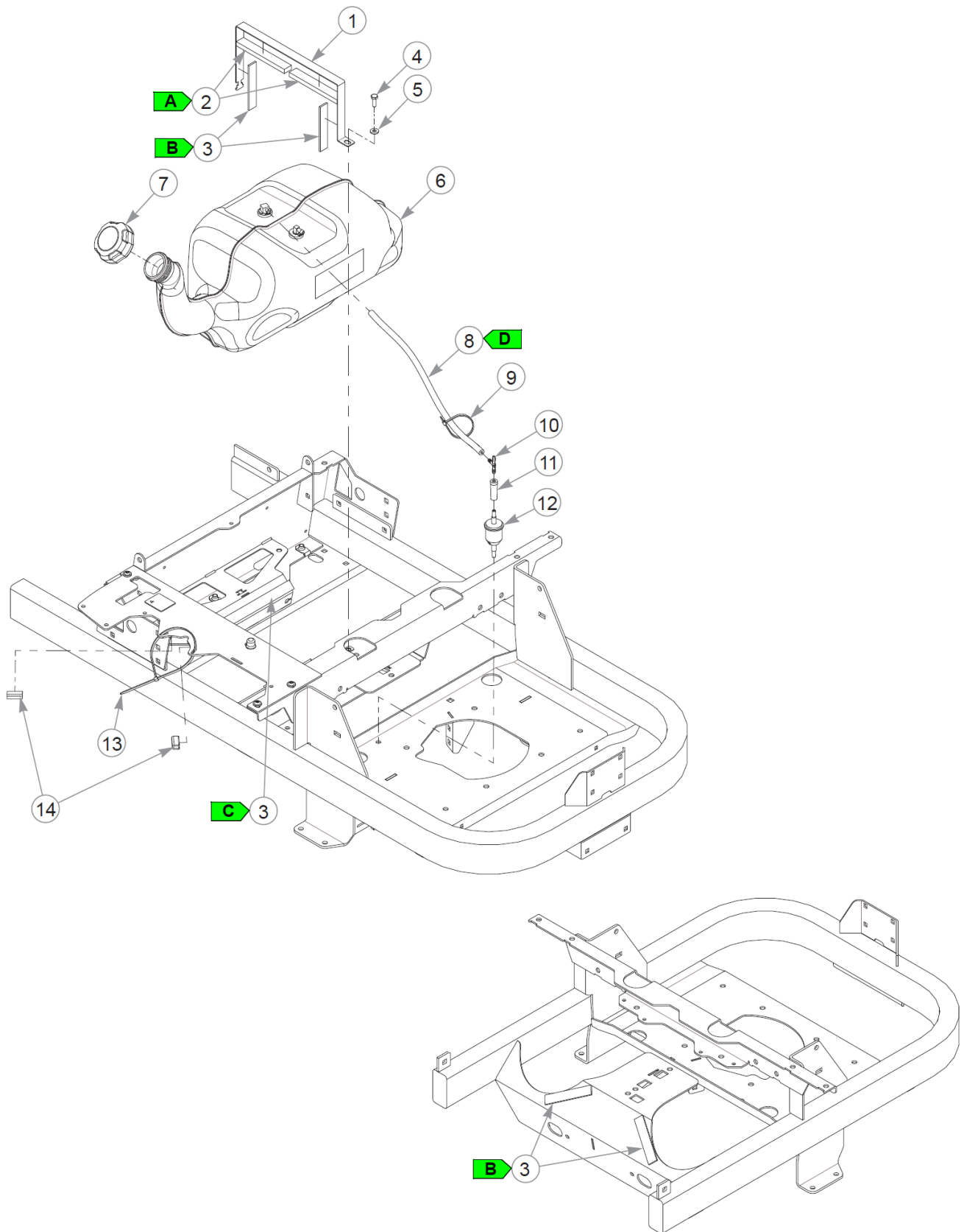
- A: 13" TANK TO FUEL FILTER (FUEL)
- B: 25" ENGINE TO TEE (VAPOR)





## Engine Service Parts - FR651V

Item	Part No.	Qty	Name
1	603059	1	AIR FILTER - MAIN
2	068478	1	FUEL FILTER - IN LINE
3	602581	1	ENGINE OIL FILTER
4	604350	1	VALVE, OIL DRAIN
5	604369	1	O-RING



# Fuel System

Item	Part No.	Qty	Name
1	126202-1	1	YELLOW, TANK MOUNT
2	713198	10	SEAL 3/8x3/4 SOLD BY FT
3	608040	24	RUBBER STRIP
4	055939	1	CS .250-20X0.75 HX G5 ZN
5	768515	1	FW 0.281SAE
6	607745	1	FUEL TANK ASSY
7	607731	1	CAP - 2.25" KELCH
8	603326	16.5	VAPOR LINE, 3/16"
Comments for Part Num. 603326			
Sold by the foot.			
9	000331	1	WIRE TIE, SMALL/SHORT
10	605690	1	TEE, 3/16" PLASTIC
11	605564	1	BOOT, 3/16 TO 3/16
12	604323	1	VAPOR SYSTEM FILTER
13	000430	1	WIRE TIE, SMALL/LONG
14	604966	2	TRIM LOCK, 1.13"

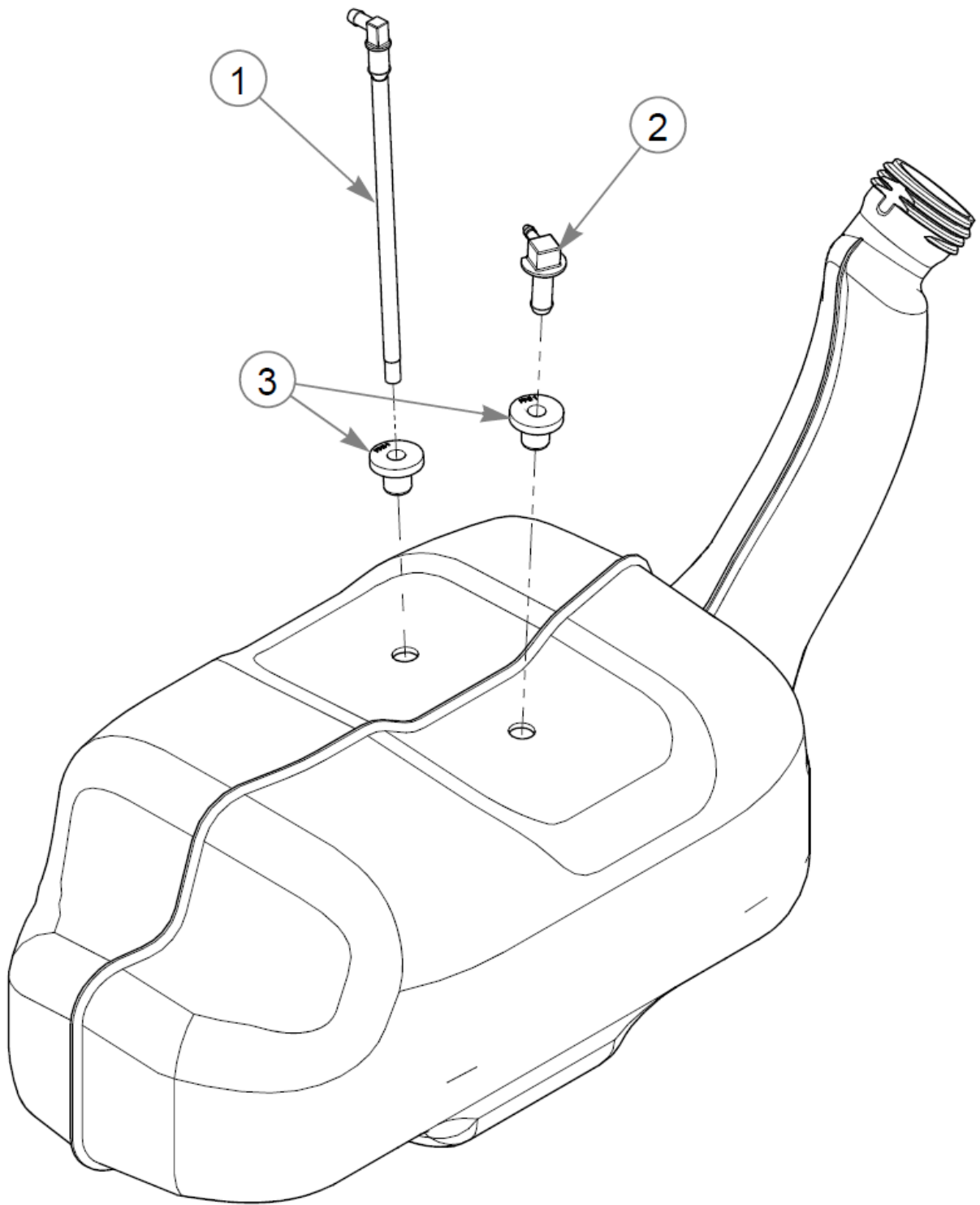
Comments for Page: Fuel System

SEAL/RUBBER STRIP LENGTH

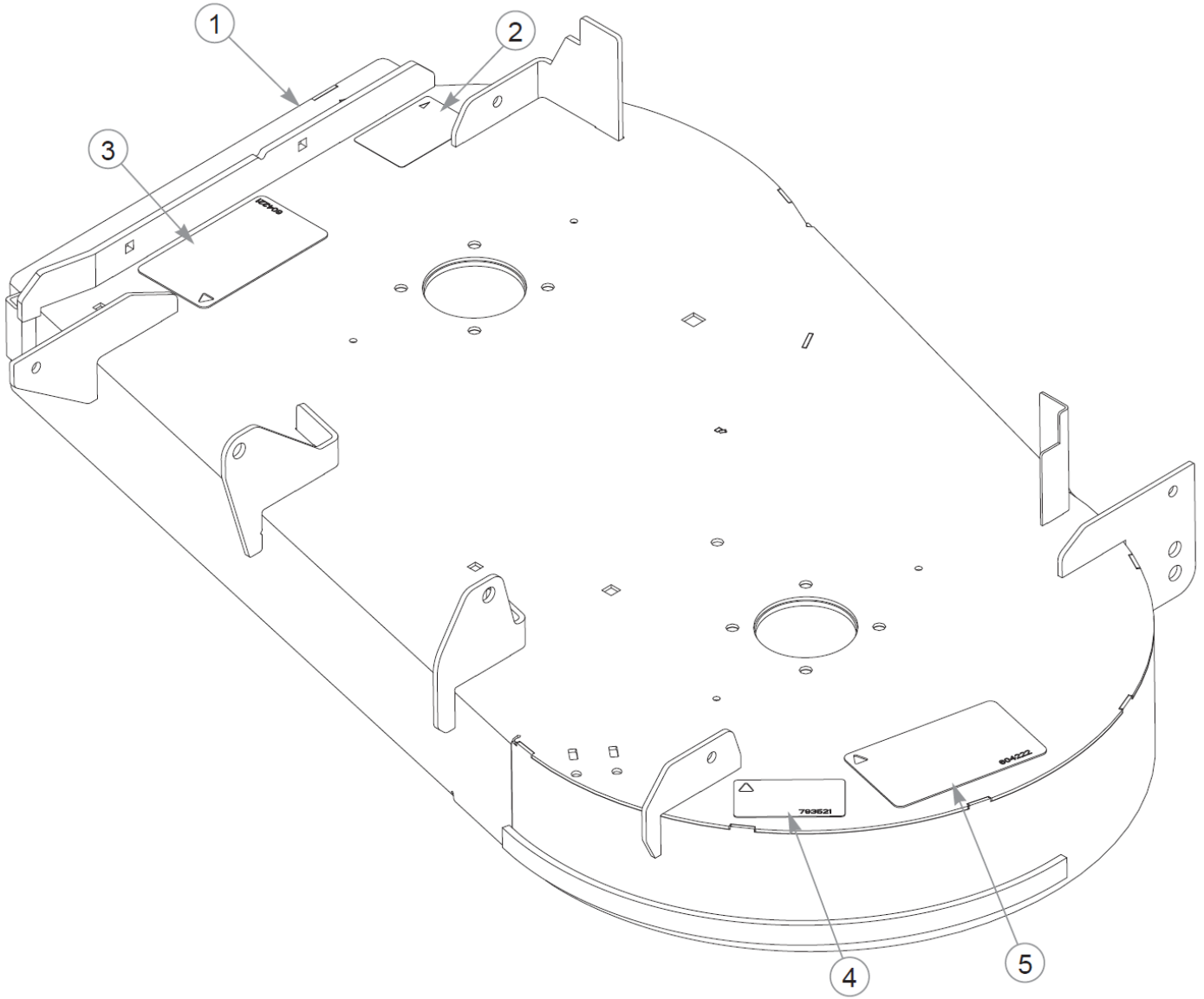
- A: 5"
- B: 4"
- C: 7.5"

VAPOR LINE LENGTH

- D: 16.5" TANK TO VAPOR TEE (VAPOR)



Item	Part No.	Qty	Name
1	605126K	1	SUCTION HOSE SVC KIT
2	604287K	1	VENT FITTING SVC KIT
3	604200K	2	GROMMET SVC KIT



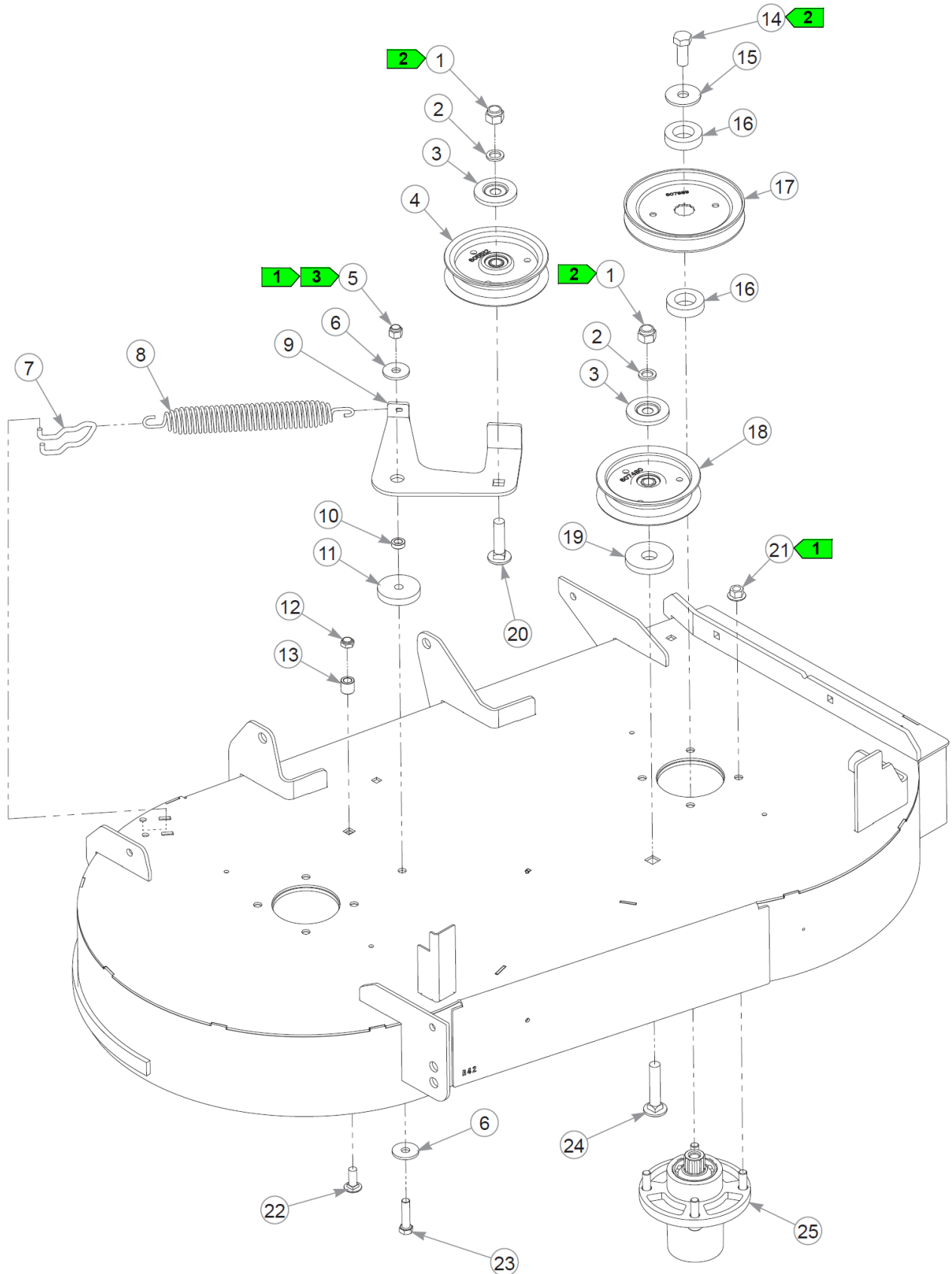
## Service Deck

Item	Part No.	Qty	Name
1	555158	1	SVC, DECK DECAL
2	602243	1	DECAL, BELT ROUTING
3	604221	1	DECAL, DANGER / CHUTE
4	793521	1	DECAL, 42" DECK ID
5	604222	1	DECAL, DANGER / OBJECTS

Comments for Page: Service Deck

1. The deck includes the decals.



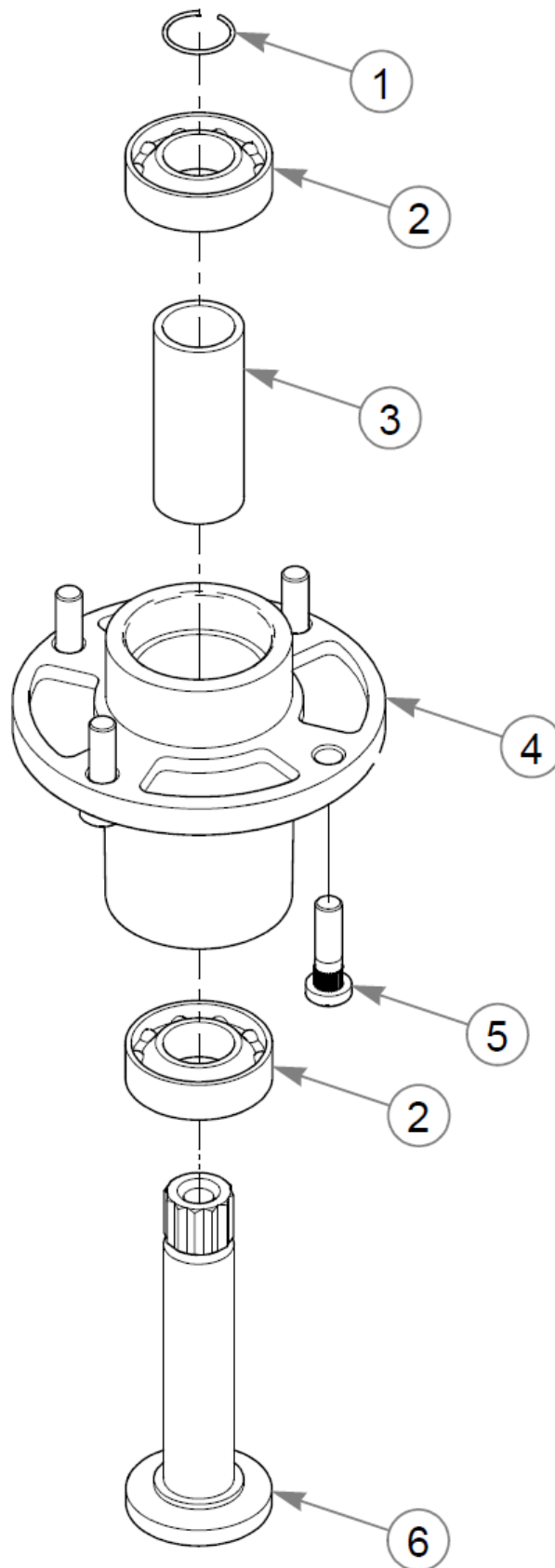


## Deck Pulleys & Spindles

Item	Part No.	Qty	Name
1	781567	2	NT .500-13NLG5
2	604486	2	FW .531X.812X.089 HD
3	605467	2	DUST SHIELD
4	605512	1	4" IDLER PULLEY
5	086660	1	NT .375-16NLG8
6	712893	2	FW 0.406X1.25X.12 HD ZN
7	604110	1	ANCHOR, SPRING TENSIONER
8	607616	1	SPRING, DECK IDLER
9	117512	1	IDLER ARM, PIVOTING
10	608052	1	PIVOT SPACER BUSHING
11	117539	1	SPACER, IDLER ARM
12	603846	1	NT .375-16 HX NL JAM ZN
13	122398	1	TENSIONING PULLEY STOP
14	705954	2	CS .500-13X1.25 HX G5 ZN
15	798603	2	FW .515X1.65X.12 HD ZN
16	604661	4	SPACER, SPINDLE PULLEY
17	607889	2	DRIVE PULLEY, A-SEC
18	607480	1	IDLER PULLEY, 4.00"
19	605508	1	FW .73X2.25X.31 ZN
20	604253	1	CB .50-13 X 2.00 STD ZN
21	604515	8	NT .375-16 FL NY GF
22	025395	1	CB .375-16X 1.00 G5 ZN
23	080655	1	CS .375-16X1.500HXG5
24	604254	1	CB .50-13 X 2.50 STD ZN
25	607418	2	BLADE SPINDLE ASSY

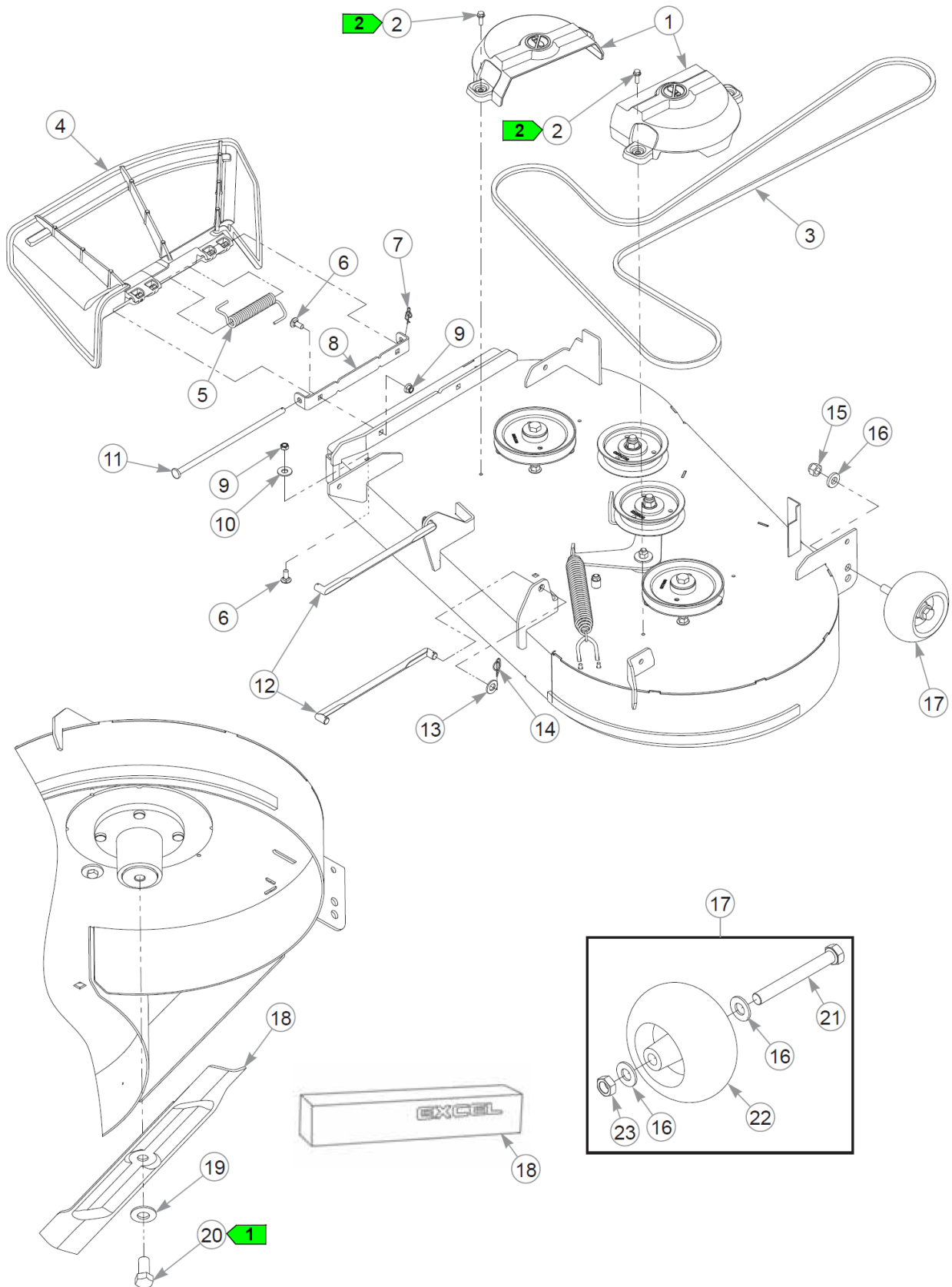
Comments for Page: Deck Pulleys & Spindles

1. Torque to 30 ft-lbs.
2. Torque to 73 ft-lbs.
3. The idler arm should pivot freely.



# Spindle Service Parts - 607418

Item	Part No.	Qty	Name
1	783548	1	RING, BLADE SPINDLE RET
2	601827	2	BEARING, 6205 2RST C3
3	601830	1	SPACER, BLADE SPINDLE
4	607419	1	SVC, SPINDLE HOUSING
5	607416	4	AXEL BOLT 3/8-16 X 1.375
6	601829	1	SHAFT, BLADE SPINDLE



## Deck Belt, Pulley Covers &amp; Blades

42" Raptor XL Parts Manual - 939884 - HTRXLS042KAWFR651VA

Item	Part No.	Qty	Name
1	607867	2	PULLEY COVER
2	604324	4	CS .250-20 X .75 HX FLG
3	771824	1	DECK BELT
4	607961	1	DISCHARGE CHUTE
5	607981	1	SPRING, TORSION
6	016253	3	CB .312-18X .750 FUL ZN
7	607093	1	CP, RUE RING .054 X .392
8	126410-4	1	DISCHARGE CHUTE BRKT
9	608059	3	NT 0.312-18 FL NY G5
10	017129	1	FW .440X1.00X0.08 ZN
11	607991	1	PIN, DISCHARGE CHUTE
12	607016	2	PULLER, DECK
13	004168	2	FW .531x1.00x.090 ZN
14	607051	2	CP, RUE RING .062 X .520
15	781567	1	NT .500-13NLG5
16	767962	3	FW .531 x 1.063 x .175
17	788166	1	WHEEL ASSY, ANTI SCALP
18	607564	2	BLADE, 20.50"-L-F-CW
Not Shown	607564X	1	10 PK, BLADE 20.50"
Not Shown	600901	2	BLADE, F20.50"-L-F-CW
Not Shown	600901X	1	10PK BLADE, 20.50"-L-F-C
Not Shown	794685	2	BLADE, F20.50"-H-F-CW
Not Shown	794685X	1	10PK BLADE, F20.50"-H-F-
Not Shown	794214	2	BLADE,20.50"-MUL-F-CW
Not Shown	794214X	1	10PK BLADE, 20.50"-MUL-F
Not Shown	794230	2	BLADE,20.50"GAT-F-CW
Not Shown	794230X	1	10PK BLADE, 20.50"-GAT-F
Not Shown	793935	2	BLADE,20.50"-CAT-F-CW
Not Shown	793935X	1	10PK BLADE, 20.50"-CAT-F
19	607962	2	CW .678 X 1.500 X .135
20	781872	2	CS .625-11X1.250HXG5
21	781708	1	CS .500-13X4.25 HX G5 ZN
22	031997	1	ANTI-SCALP WHEEL
23	053199	1	NT .500-13JAMG5

Comments for Page: Deck Belt, Pulley Covers &amp; Blades

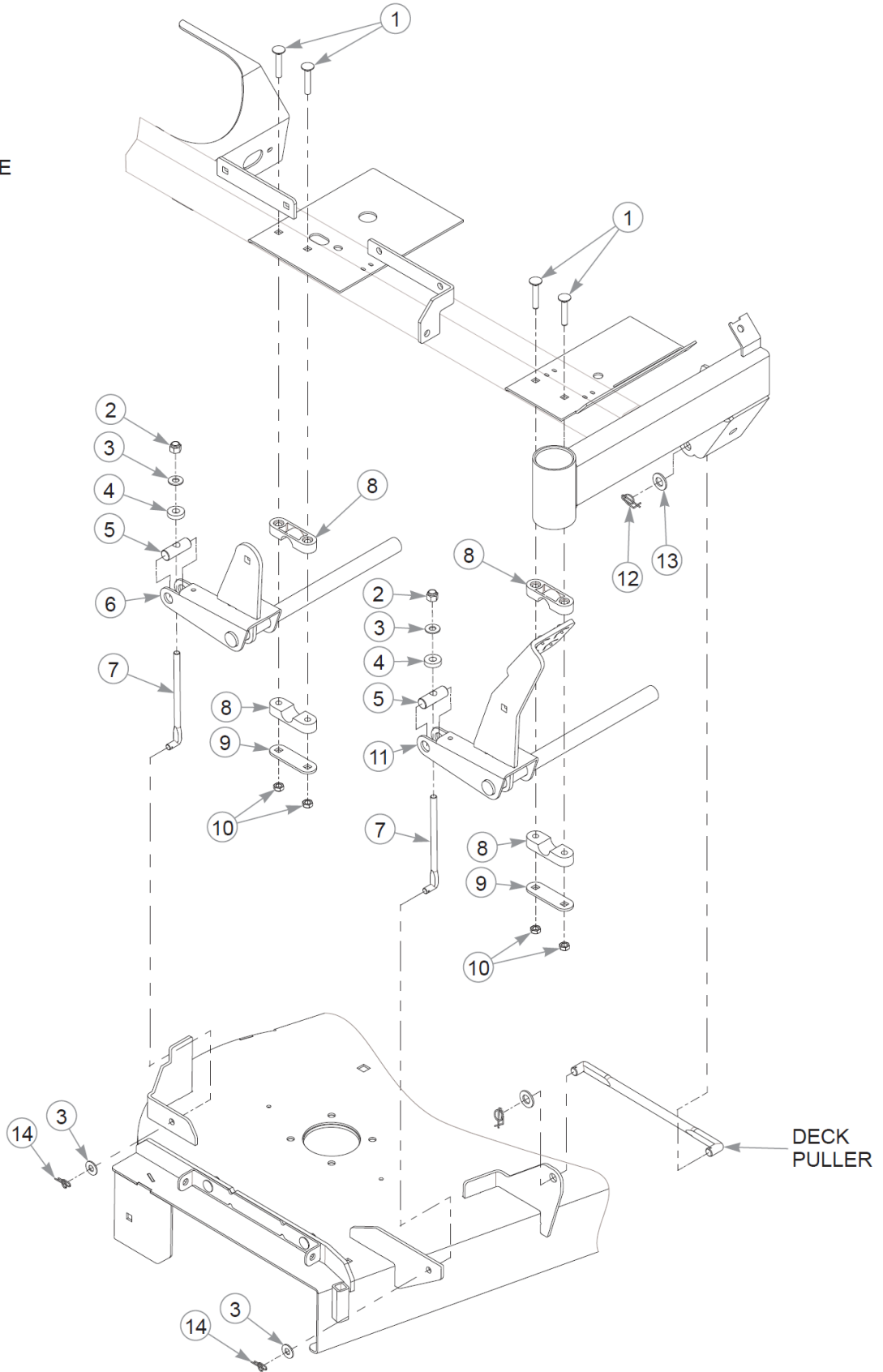
## Deck Belt, Pulley Covers & Blades

1. Torque to 118 ft-lbs.
2. Torque to 2–5 ft-lbs on these 4 self-tapping screws.

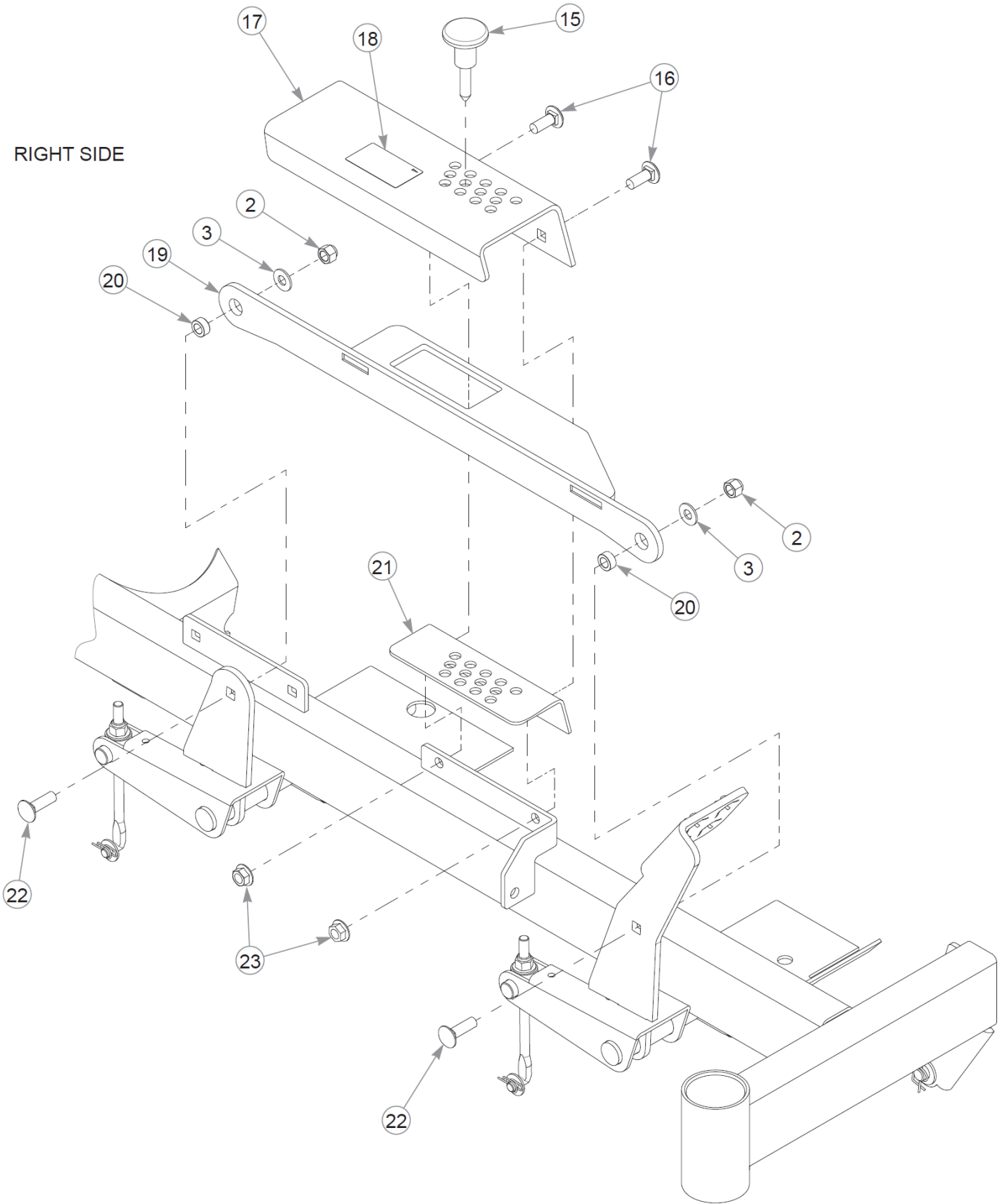
This page intentionally left blank



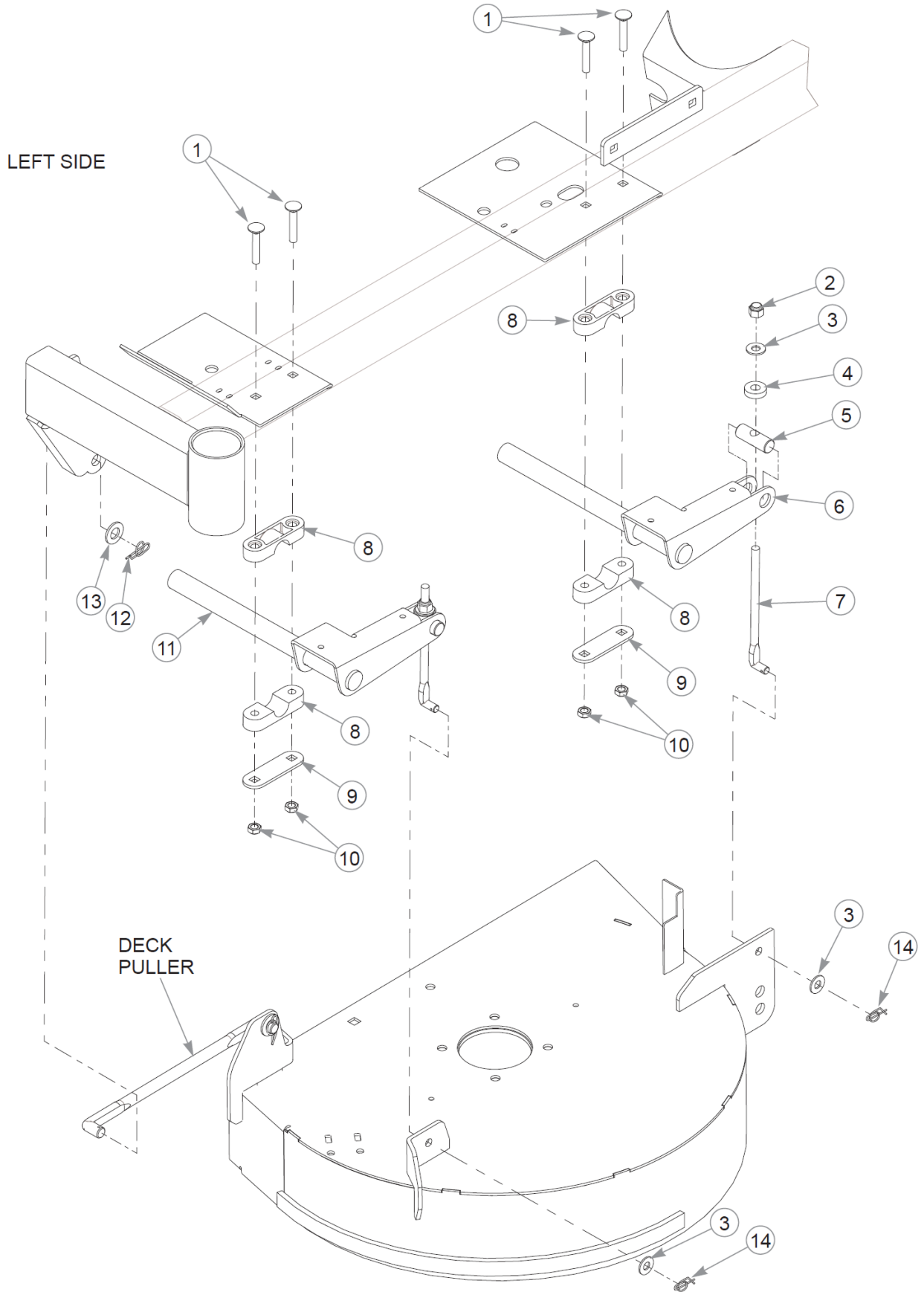
RIGHT SIDE



This page intentionally left blank



This page intentionally left blank



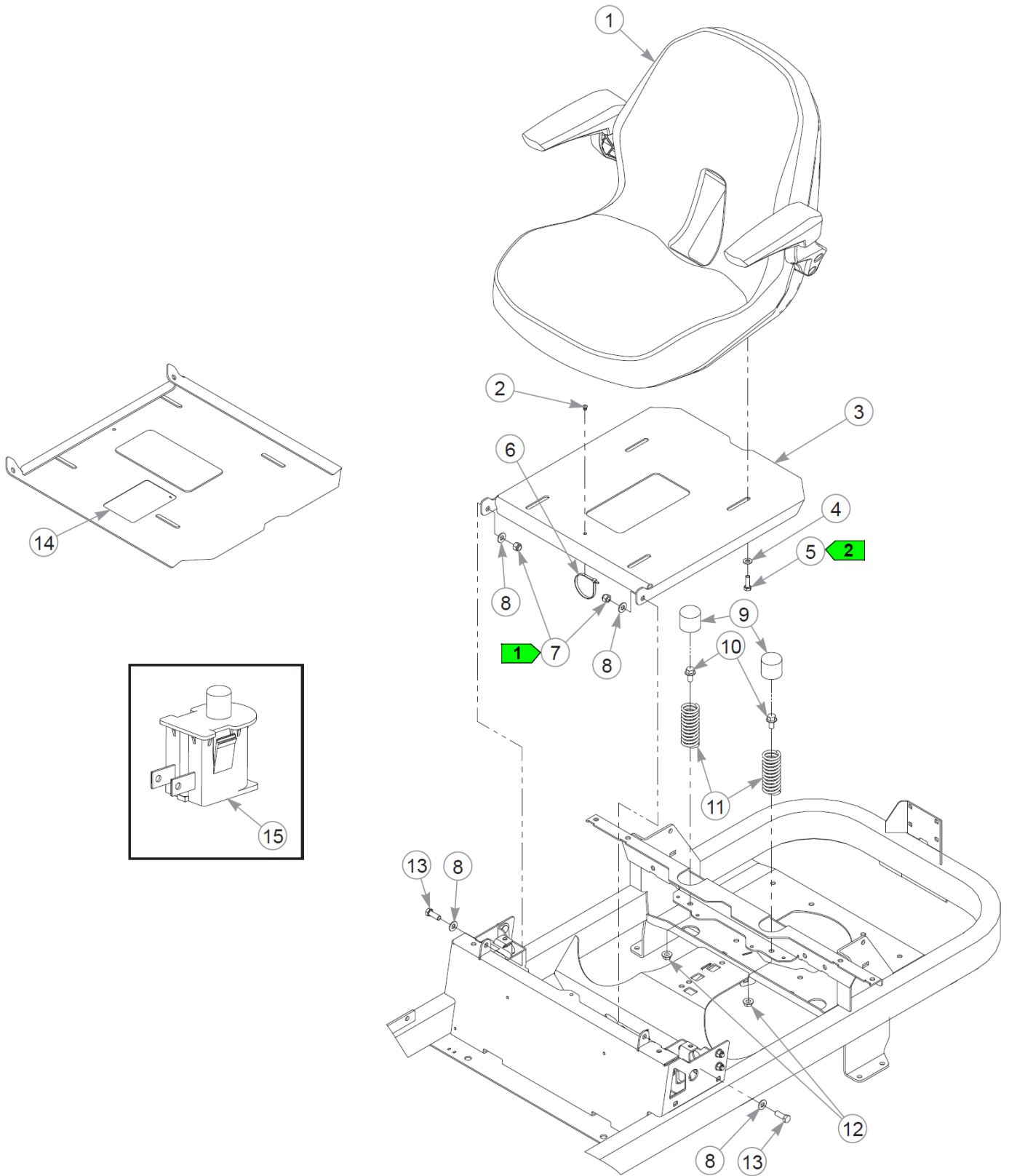
**Deck Lift & Mounting Hardware (Multi-Page)**

Item	Part No.	Qty	Name
1	771212	8	CB .312-18X 1.750 G5
2	086660	6	NT .375-16NLG8
3	767954	10	FW 0.379X.82X.06 HD ZN
4	605114	4	FW .41X.94X.25 UHMW
5	607970	4	PIVOT, DECK LIFT
6	126389-1	1	DECK LIFT W/A REAR
7	607912	4	DECK HANGER
8	607907	8	BUSHING, DECK LIFT
10	604251	8	NT .312-18 HXNL JAM G2ZN
11	126385-1	1	DECK LIFT W/A FRONT
12	607051	2	CP, RUE RING .062 X .520
13	004168	2	FW .531x1.00x.090 ZN
14	607093	4	CP, RUE RING .054 X .392
15	607039	1	PIN, .375X1.62 MAGNETIC
16	025395	2	CB .375-16X 1.00 G5 ZN
17	555668	1	SERVICE, DECK HEIGHT
18	605538	1	DECAL, DECK HEIGHT
19	126374-4	1	DECK LIFT LINK ZINC
20	118900	2	SPACER, DECK LIFT LINK
21	126370-1	1	DECK HEIGHT BRACKET
22	603113	2	CB .375-16X1.250 G5 ZN
23	016899	2	NT .375-16 FLKG5

Comments for Page: Deck Lift & Mounting Hardware (Multi-Page)

1. The top deck lift bracket includes the decal.

Seat



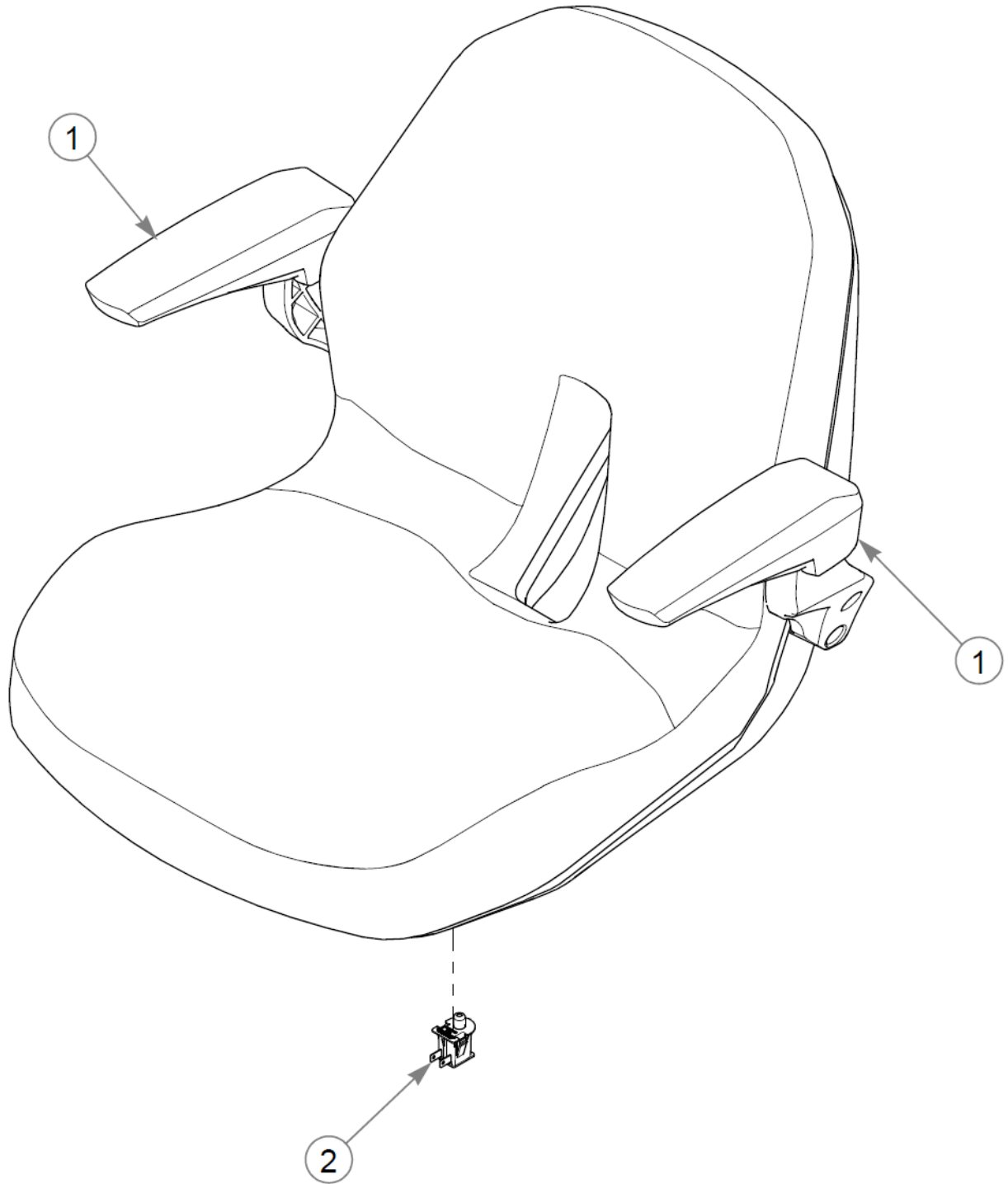
## Seat

Item	Part No.	Qty	Name
1	608028	1	SEAT, SK130 W/ RF WELD
2	604307	1	MOUNT, PUSH BUTTON
3	555767	1	SVC, SEAT PAN
4	768523	4	FW 0.343SAE
5	036236	4	CS .312-18X1.000HXG5
6	000331	1	WIRE TIE, SMALL/SHORT
7	086660	2	NT .375-16NLG8
8	767954	4	FW 0.379X.82X.06 HD ZN
9	607838	2	CAP
10	029629	2	CS .375-16X0.75 HXF G5ZN
11	793851	2	SPRING,COMP 1.25X4.00X.
12	016899	2	NT .375-16 FLKG5
13	036244	2	CS .375-16X1.00 HX G5 ZN
14	601815	1	DECAL, BATTERY WARNINGS
15	793315	1	SWITCH, SNAP MOUNT

Comments for Page: Seat

1. Do not torque; the seat pan must pivot freely.
2. Torque to 7 ft-lbs.
3. The seat pan includes the decal.





## Seat Service Parts

Item	Part No.	Qty	Name
1	608153	1	SVC, ARMREST KIT SK130
2	793315	1	SWITCH, SNAP MOUNT