

# Hustler® Parts Manual



**HUSTLER®**  
TURF EQUIPMENT

200 South Ridge Road

Hesston, Kansas

67062



#### NOTICE OF REQUIREMENT OF SPARK ARRESTER MUFFLER

This equipment may create sparks that can start fires around dry vegetation. California Public Resources Code Section 4442.6 provides that it is unlawful to use or operate an internal combustion engine on any forest-covered, brush-covered, or grass-covered land unless the engine is equipped with a spark arrester maintained in effective working order. A spark arrester is a device constructed of nonflammable materials specifically for the purpose of removing and retaining carbon and other flammable particles over 0.0232 of an inch in size from the exhaust flow of an internal combustion engine that uses hydrocarbon fuels or which is qualified and rated by the United States Forest Service. Other states or federal areas may have similar laws. The Operator Should Contact Local Fire Agencies For Laws or Regulations Relating to Fire Prevention Requirements. **THIS EQUIPMENT DOES NOT HAVE A SPARK ARRESTER AND YOU SHOULD CONTACT YOUR AUTHORIZED DEALER FOR THE PURCHASE OF A SPARK ARRESTER.**

Inspect spark arrester daily; replace every 500 hours or as needed.

The Engine Owner's Manual provides information regarding the U.S. Environmental Protection Agency (EPA) and the California Emission Control Regulation of emission systems, maintenance and warranty.

Keep Engine Owner's Manual with your unit. Should the Engine Owner's Manual become damaged or illegible, replace immediately. Replacements may be ordered per the information found in the Product Information section of the owner's manual.

Federal law and California State law prohibit the following acts or the causing thereof:

1. The removal or rendering inoperative by any person other than for purposes of maintenance, repair, replacement, of any device or element of design incorporated into any equipment for the purposes of emissions control prior to or after its sales or delivery to the ultimate purchaser or while it is in use, or
2. The use of the equipment after such device or element of design has been removed or rendered inoperative by any person.

|   |     |
|---|-----|
| General Information .....   | 1   |
| <b>Frame, Fenders, Engine Guard, Instrument Panel, Wire Harness &amp; Battery</b> |     |
| Frame .....   | 3-1 |
| Fenders, Floor Pan, Footrest & Engine Guard (Multi-Page) .....                    | 3-2 |
| Instrument Panel & Wire Harness - S/N 20125064 & HIGHER .....                     | 3-3 |
| Instrument Panel & Wire Harness - S/N PRIOR to 20125064 .....                     | 3-4 |
| Battery .....   | 3-5 |
| <b>Transmissions, Drive Belt, Clutch, Steering &amp; Brake</b>                    |     |
| Transmissions .....   | 4-1 |
| Transmission Service Parts .....  | 4-2 |
| Drive Belt & Clutch .....   | 4-3 |
| Steering & Brake .....  | 4-4 |
| Steering Assembly (Multi-Page) .....  | 4-5 |
| <b>Wheels &amp; Tires</b>   |     |
| Wheels & Tires .....  | 5-1 |
| Front Wheel Assembly .....  | 5-2 |
| Drive Wheel Breakdown .....   | 5-3 |
| <b>Engine &amp; Fuel System</b>   |     |
| Engine & Muffler (Multi-Page) .....   | 6-1 |
| Engine Service Parts - FR651V .....   | 6-2 |
| Fuel System .....   | 6-3 |
| Fuel Tank Service Parts - 607745 .....  | 6-4 |
| <b>Deck, Deck Belt, Blades &amp; Deck Lift</b>                                    |     |
| Service Deck .....  | 7-1 |
| Deck Pulleys & Spindles .....   | 7-2 |
| Spindle Service Parts - 607418 .....  | 7-3 |
| Deck Belt, Pulley Covers & Blades .....   | 7-4 |
| Deck Lift & Mounting Hardware (Multi-Page) .....                                  | 7-5 |
| <b>Seat</b>   |     |
| Seat .....  | 8-1 |
| Seat Service Parts .....  | 8-2 |



---

# General Information

*Note:* When ordering parts, you must use the part number as shown for each part, not the index number. Always give the model and serial number to your parts and service representative.

*Note:* Items sold in bulk such as seals and hoses are sold by the foot.

---

## **Using This Manual**

This manual is part of a service package for the Hustler® mowers. Use of this manual in conjunction with other Hustler® mower and component manuals will provide the information necessary to service and maintain Hustler® mowers.

This Parts Manual provides a complete parts listing for the unit. Use this manual when ordering parts. Illustrations used were current at the time of printing, but subsequent production changes may cause your machine to vary slightly in detail. Excel Industries, Inc. reserves the right to redesign and change the machine as deemed necessary, without notification. If a change has been made to your machine which is not reflected in this parts manual, see your authorized dealer for current information and parts.

The Service Manual is a service guide for use by Service Technicians. It provides the necessary information needed to perform normal maintenance requirements on these units.

The Operator's Manual provides fundamental operational information and operational safety that is needed when operating the mower.

The component manuals are furnished by the various manufacturers to be used for the troubleshooting and servicing of their products.

## **Hardware Description Codes & Abbreviations**

The following codes are used throughout this parts manual. Refer to this list when ordering parts.

| ABBREVIATION | DESCRIPTION   | ABBREVIATION | DESCRIPTION            |
|--------------|---------------|--------------|------------------------|
| CB           | CARRIAGE BOLT | MB           | MACHINE BUSHING        |
| CE           | CLEVIS PIN    | MS           | MACHINE SCREW          |
| CN           | CLIP NUT      | NT           | NUT                    |
| CP           | COTTER PIN    | SC           | SELF TAPPING CAP SCREW |
| CS           | CAP SCREW     | SH           | SOCKET HEAD            |
| CW           | CUP WASHER    | SB           | SHOULDER BOLT          |
| FDRW         | FENDER WASHER | SS           | SET SCREW              |
| FW           | FLAT WASHER   | OD           | OUTSIDE DIAMETER       |
| HX           | HEX HEAD      | ID           | INSIDE DIAMETER        |
| LW           | LOCK WASHER   | WN           | WELD NUT               |

---

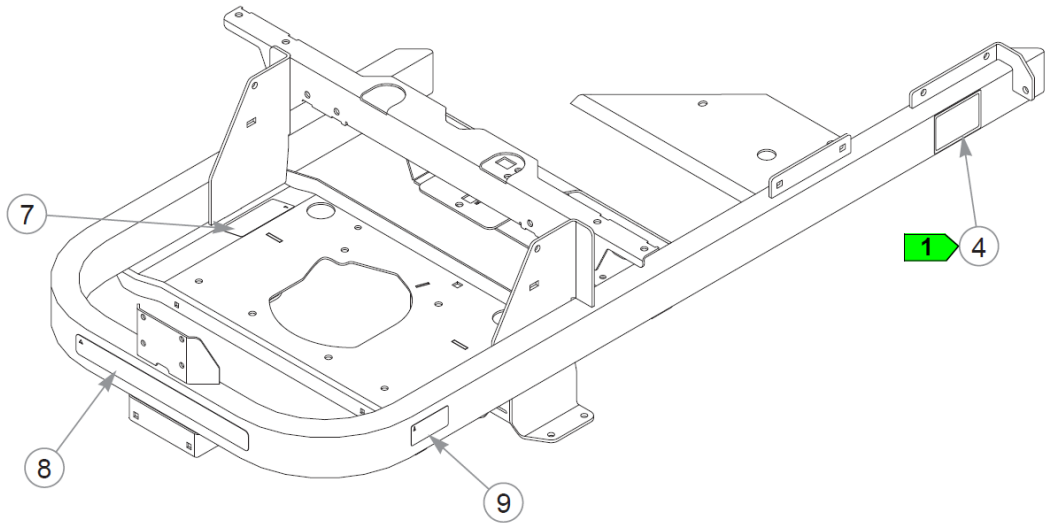
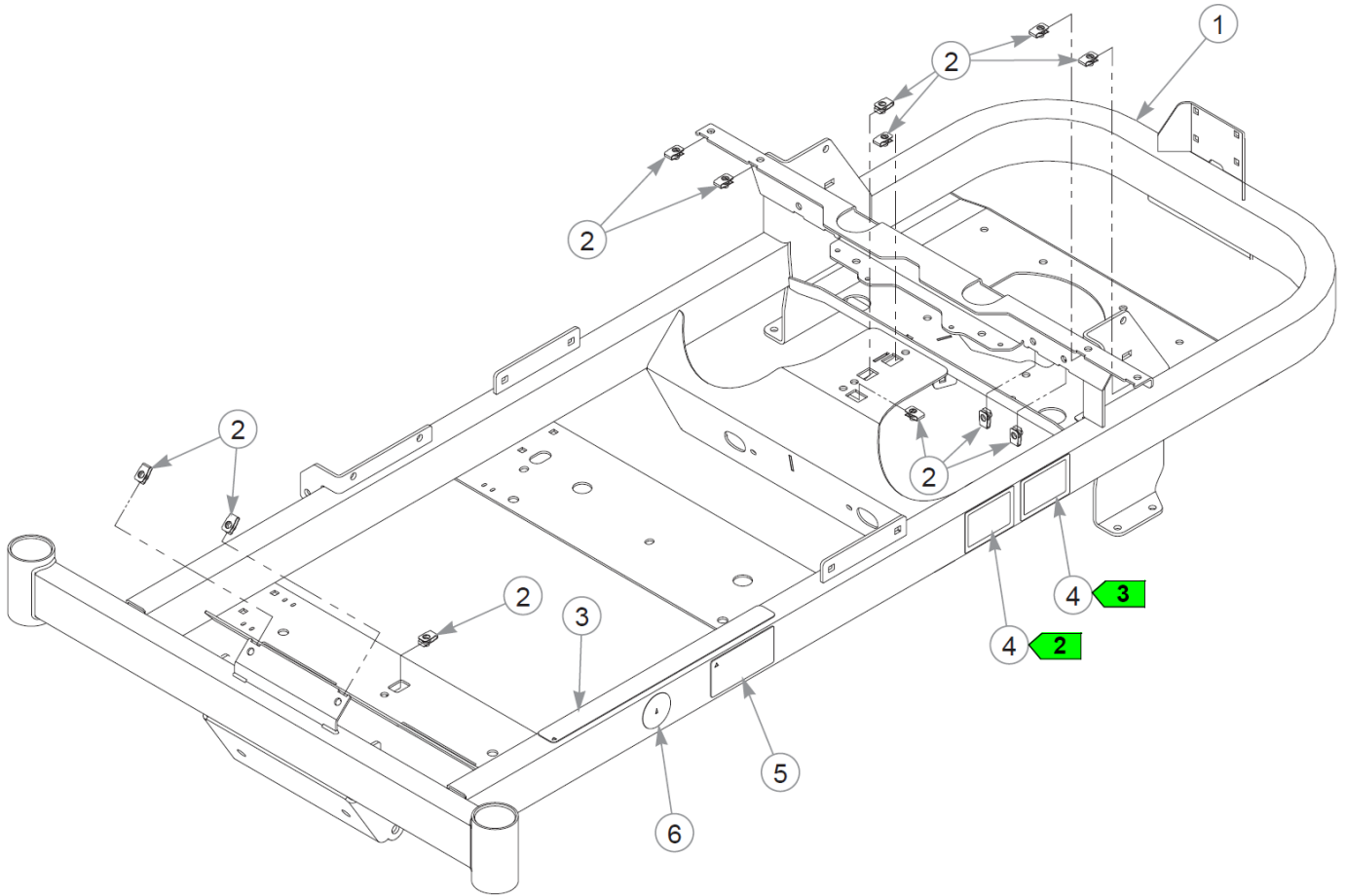
## **Standard Torques**

The following chart lists the standard torque values for the threaded fasteners found in this manual. Torque all cap screws, nuts and set screws to these values unless a different torque is shown in the Notes section next to the fastener.

| SIZE | FT-LBS | N•M  | SIZE | FT-LBS | N•M   |
|------|--------|------|------|--------|-------|
| .250 | 8.2    | 11.1 | M3   | 1      | 1.3   |
| .312 | 17     | 23   | M4   | 2.2    | 3     |
| .375 | 30     | 40   | M5   | 4.5    | 6.1   |
| .438 | 48     | 65   | M6   | 7.7    | 10.4  |
| .500 | 73     | 99   | M8   | 18.5   | 25    |
| .562 | 105    | 143  | M10  | 37     | 50    |
| .625 | 145    | 200  | M12  | 64     | 87    |
| .750 | 260    | 350  | M14  | 80     | 108.5 |
| .875 | 420    | 565  | M16  | 160    | 215   |
| 1.00 | 625    | 850  | M20  | 320    | 435   |
|      |        |      | M24  | 555    | 750   |

---

This page intentionally left blank



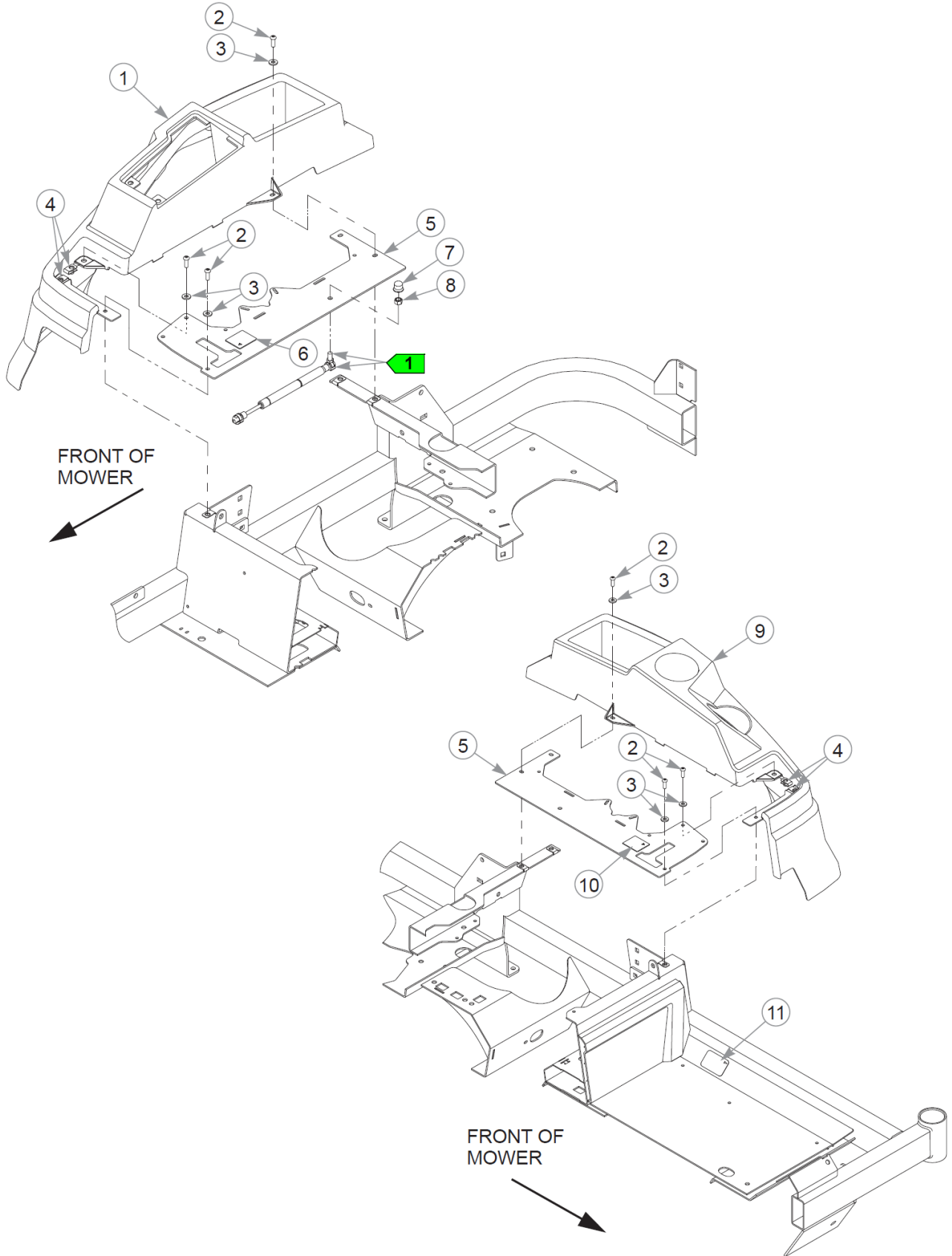
## Frame

| Item | Part No. | Qty | Name                       |
|------|----------|-----|----------------------------|
| 1    | 555653   | 1   | SVC FRAME                  |
| 2    | 601982   | 12  | CN .250-20X .150 MAX THK   |
| 3    | 601981   | 1   | DECAL, SAFE OPERATE-GRAY   |
| 4    | N/A      | 3   | SERIAL NUMBER / SPEC DECAL |
| 5    | 600899   | 1   | DECAL, PUMP BELT WARNING   |
| 6    | 608127   | 1   | DECAL, USA, F&D            |
| 7    | 601967   | 1   | DECAL, ENGINE COMPART      |
| 8    | 602407   | 1   | DECAL, HUSTLER ID          |
| 9    | 602041   | 1   | DECAL, HOT                 |

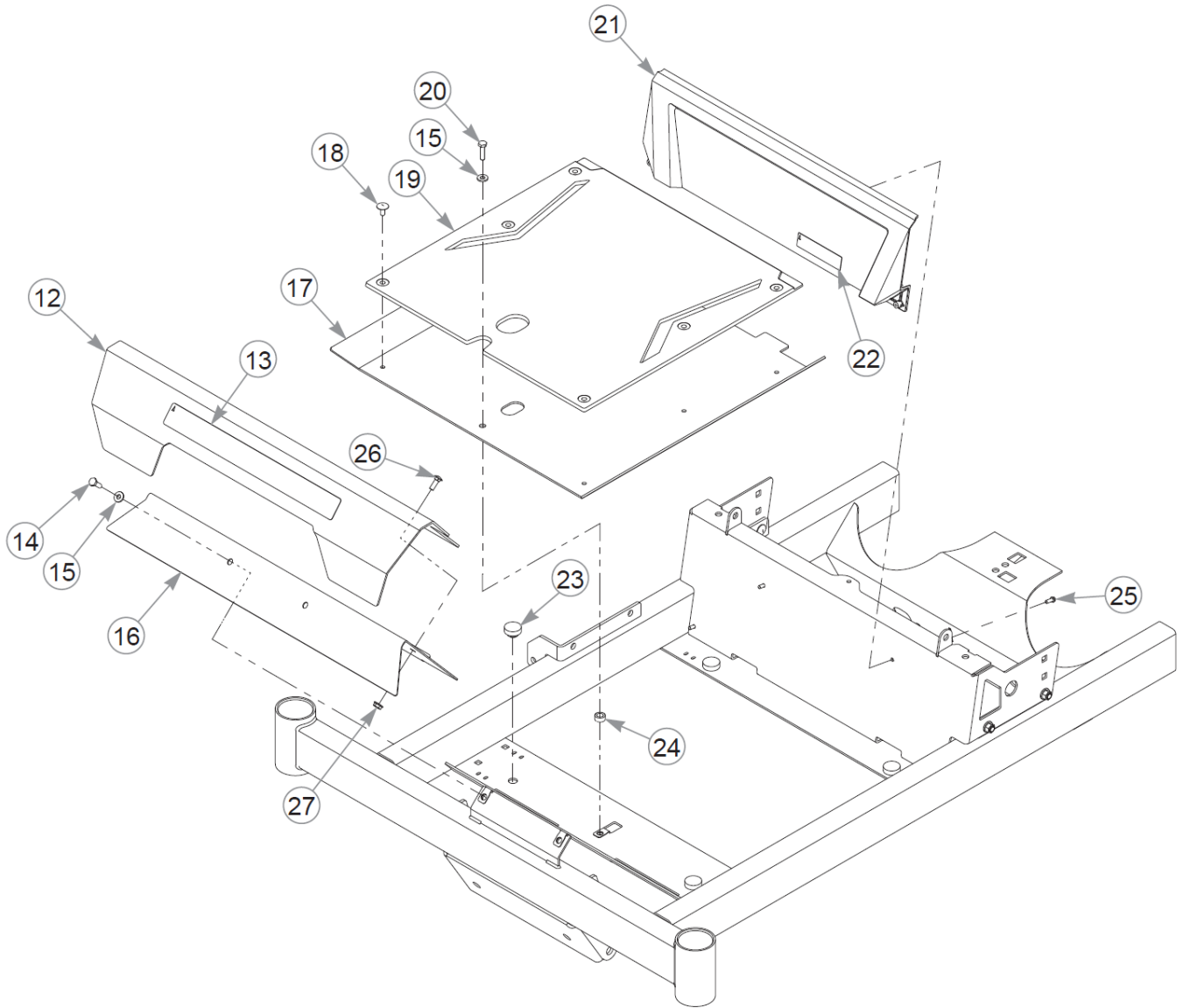
Comments for Page: Frame

1. Serial number decal. In the event the serial number decal becomes damaged or illegible, please contact your dealer to order a replacement.
2. EPA compliance decal.
3. Patent numbers decal.
4. The frame includes the decals and hardware.

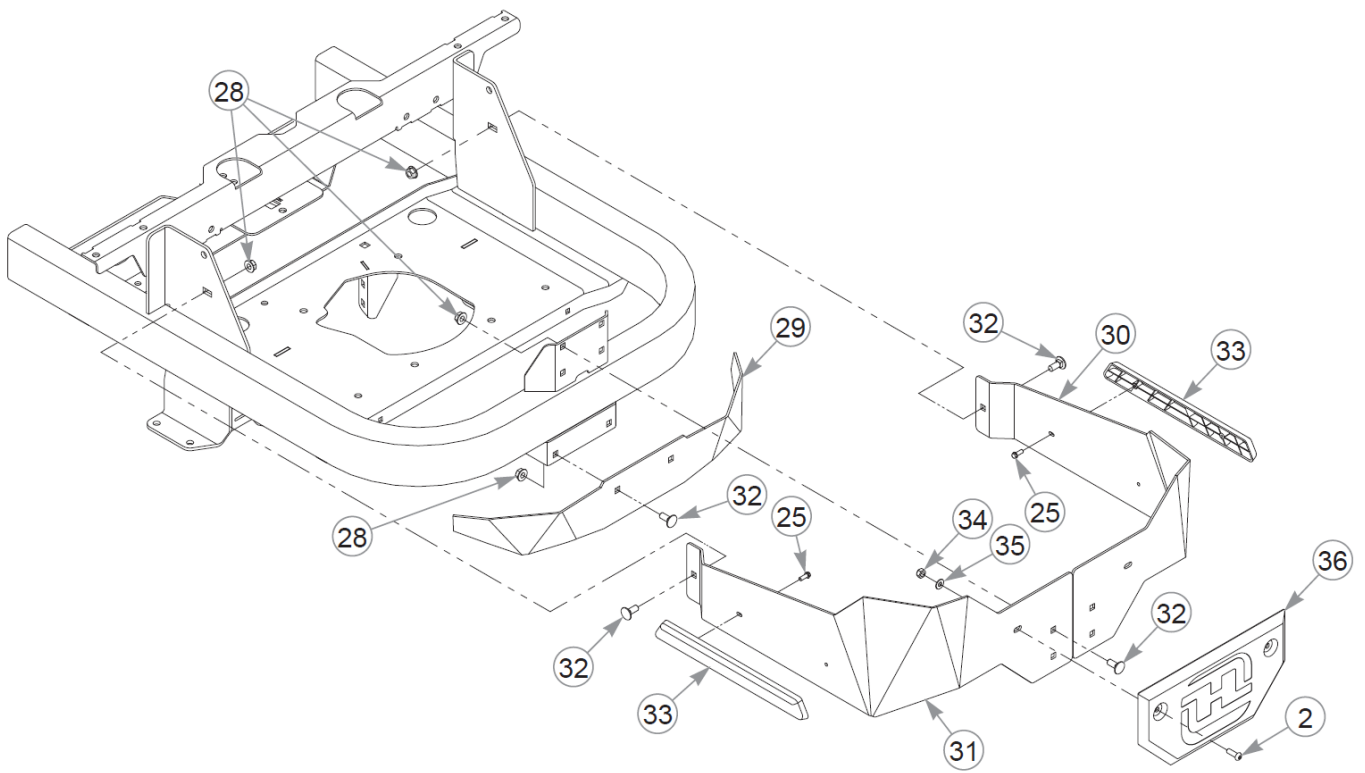




This page intentionally left blank



This page intentionally left blank



| Item      | Part No. | Qty | Name                     |
|-----------|----------|-----|--------------------------|
| 1         | 607862   | 1   | FENDER RIGHT             |
| 2         | 605473   | 12  | CS .250-20X0.75 BH TX BZ |
| 3         | 605628   | 10  | FW 0.281X.63X.07 ZB      |
| 4         | 601982   | 4   | CN .250-20X .150 MAX THK |
| 5         | 555696   | 1   | SVC, STEERING PLATE RH   |
| Not Shown | 555697   | 1   | SVC, STEERING PLATE LH   |
| 6         | 785220   | 1   | DECAL, STEERING R.S.     |
| 7         | 607913   | 2   | HEX NUT CAP, 1/2"        |
| 8         | 058776   | 2   | NT .312-18NLG5           |
| 9         | 607861   | 1   | FENDER LEFT              |
| 10        | 785139   | 1   | DECAL, STEERING L.S.     |
| 11        | 605782   | 1   | DECAL, LEVEL FUEL BLOWM  |
| 12        | 555694   | 1   | SVC, COVER FRONT         |
| 13        | 608095   | 1   | DECAL, HUSTLER           |
| 14        | 055939   | 2   | CS .250-20X0.75 HX G5 ZN |
| 15        | 768515   | 3   | FW 0.281SAE              |
| 16        | 126380-1 | 1   | FOOTREST                 |
| 17        | 555759   | 1   | SVC, FLOOR PAN           |
| 18        | 607868   | 6   | PUSH IN RIVET            |
| 19        | 607864   | 1   | FLOOR MAT                |
| 20        | 056077   | 1   | CS .250-20X1.000HXG5     |
| 21        | 555695   | 1   | SVC, KICK PANEL          |
| 22        | 608093   | 1   | DECAL, RAPTOR XD         |
| 23        | 781880   | 4   | BUMPER, .500x 1.00x .31  |
| 24        | 118900   | 1   | SPACER, DECK LIFT LINK   |
| 25        | 607892   | 8   | CS #10-16 X 0.500 HX FLG |
| 26        | 794784   | 2   | CB .250-20 X .75 FUL ZN  |
| 27        | 016816   | 2   | NT .250-20FLKG5          |
| 28        | 016832   | 8   | NT .312-18FLKG5          |
| 29        | 607901-6 | 1   | LOWER COVER              |
| 30        | 607903-1 | 1   | ENGINE GUARD RH          |
| 31        | 607902-1 | 1   | ENGINE GUARD LH          |
| 32        | 016253   | 8   | CB .312-18X .750 FUL ZN  |
| 33        | 607906   | 2   | SIDE MOLDING             |
| 34        | 068551   | 2   | NT .250-20 HXZY NL       |
| 35        | 017079   | 2   | FW .250SAE               |

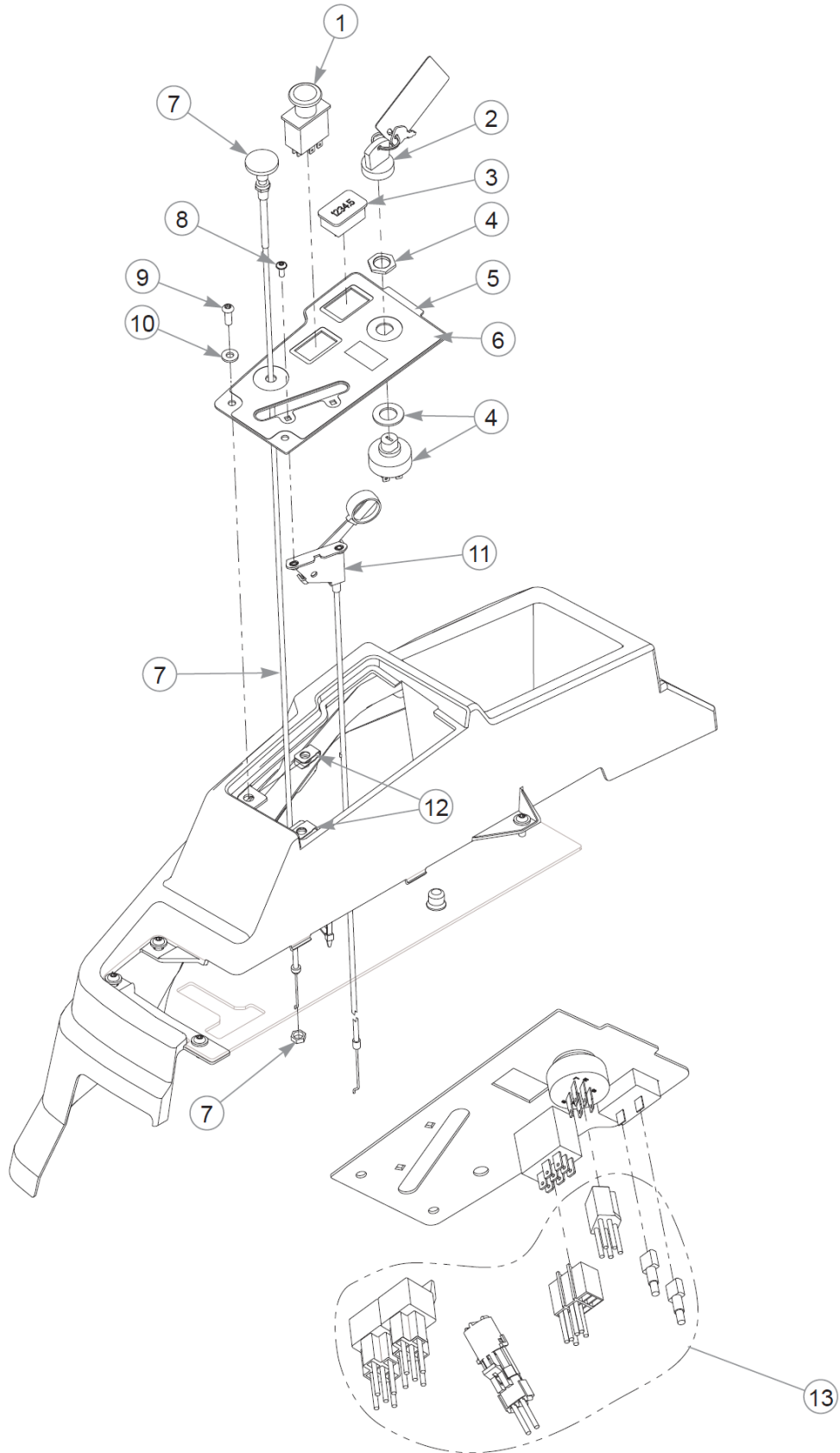
This page intentionally left blank

| Item | Part No. | Qty | Name       |
|------|----------|-----|------------|
| 36   | 607905   | 1   | LOGO BADGE |

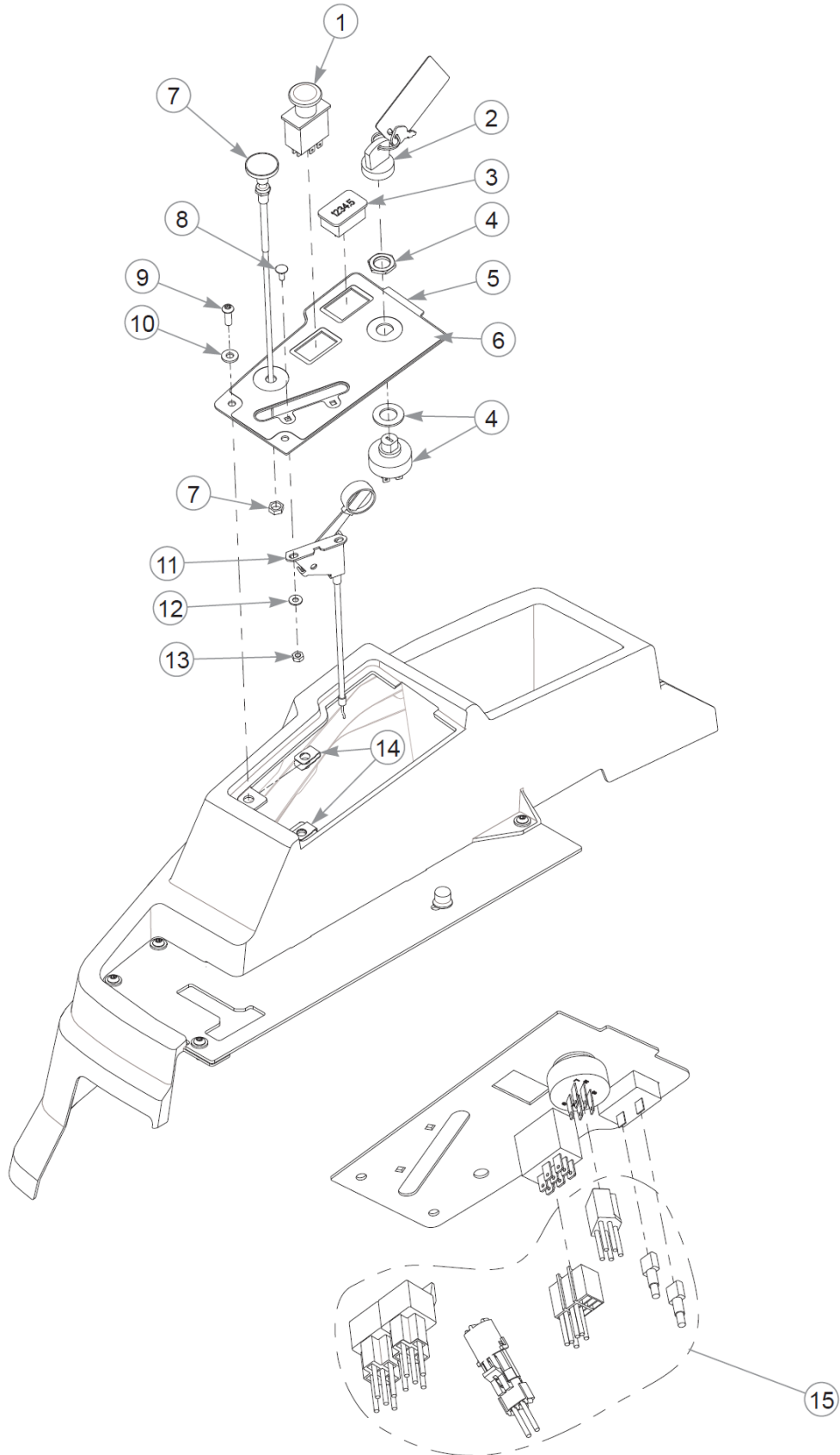
Comments for Page: Fenders, Floor Pan, Footrest & Engine Guard (Multi-Page)

1. Part of the Steering Assembly.
2. The steering plates, front cover, floor pan and kick panel include the decals.

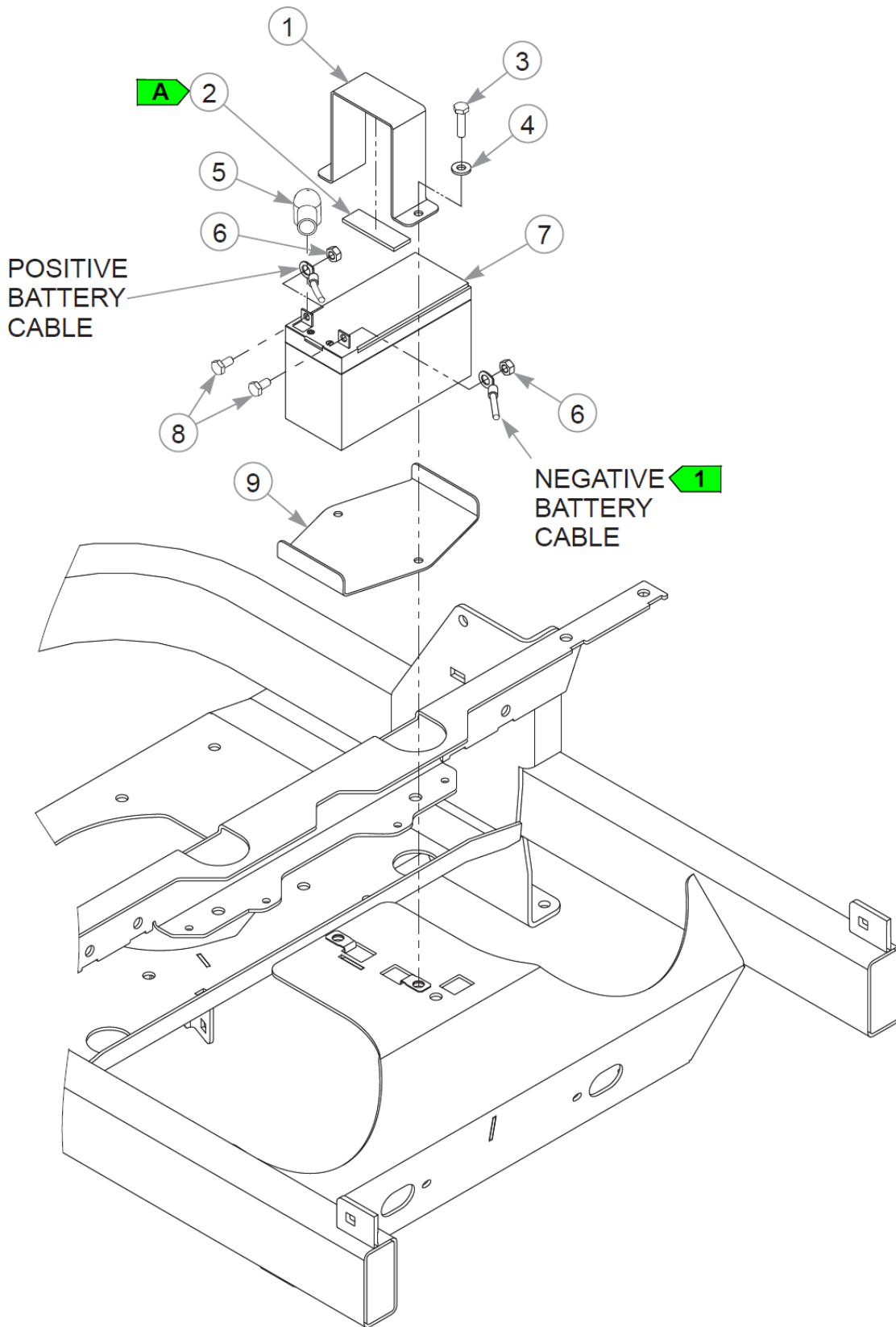




| Item | Part No. | Qty | Name                     |
|------|----------|-----|--------------------------|
| 1    | 776476   | 1   | SWITCH, PTO 6201-321     |
| 2    | 785808   | 1   | KEY ASSEMBLY             |
| 3    | 769166   | 1   | HOUR METER               |
| 4    | 045898   | 1   | IGNITION SWITCH          |
| 5    | 555705   | 1   | SVC, INSTRUMENT PANEL    |
| 6    | 607973   | 1   | DECAL, INST PANEL        |
| 7    | 608191   | 1   | CABLE, CHOKE             |
| 8    | 606851   | 2   | CS 10-24X .500 PH SH ZN  |
| 9    | 605473   | 2   | CS .250-20X0.75 BH TX BZ |
| 10   | 605628   | 2   | FW 0.281X.63X.07 ZB      |
| 11   | 608190   | 1   | CABLE, THROTTLE          |
| 12   | 601982   | 2   | CN .250-20X .150 MAX THK |
| 13   | 607950   | 1   | WIRE HARNESS             |
| 14   | 000331   | 1   | WIRE TIE, SMALL/SHORT    |



| Item | Part No. | Qty | Name                     |
|------|----------|-----|--------------------------|
| 1    | 776476   | 1   | SWITCH, PTO 6201-321     |
| 2    | 785808   | 1   | KEY ASSEMBLY             |
| 3    | 769166   | 1   | HOUR METER               |
| 4    | 045898   | 1   | IGNITION SWITCH          |
| 5    | 555705   | 1   | SVC, INSTRUMENT PANEL    |
| 6    | 607973   | 1   | DECAL, INST PANEL        |
| 7    | 601097   | 1   | CABLE, CHOKE             |
| 8    | 601098   | 2   | CB 10-24 X .500 ZYNC     |
| 9    | 605473   | 2   | CS .250-20X0.75 BH TX BZ |
| 10   | 605628   | 2   | FW 0.281X.63X.07 ZB      |
| 11   | 601096   | 1   | CABLE, THROTTLE          |
| 12   | 704932   | 2   | FW 0.219X.50X.05 ZN      |
| 13   | 059832   | 2   | NT #10-24 HX NL ZN       |
| 14   | 601982   | 2   | CN .250-20X .150 MAX THK |
| 15   | 607950   | 1   | WIRE HARNESS             |



## Battery

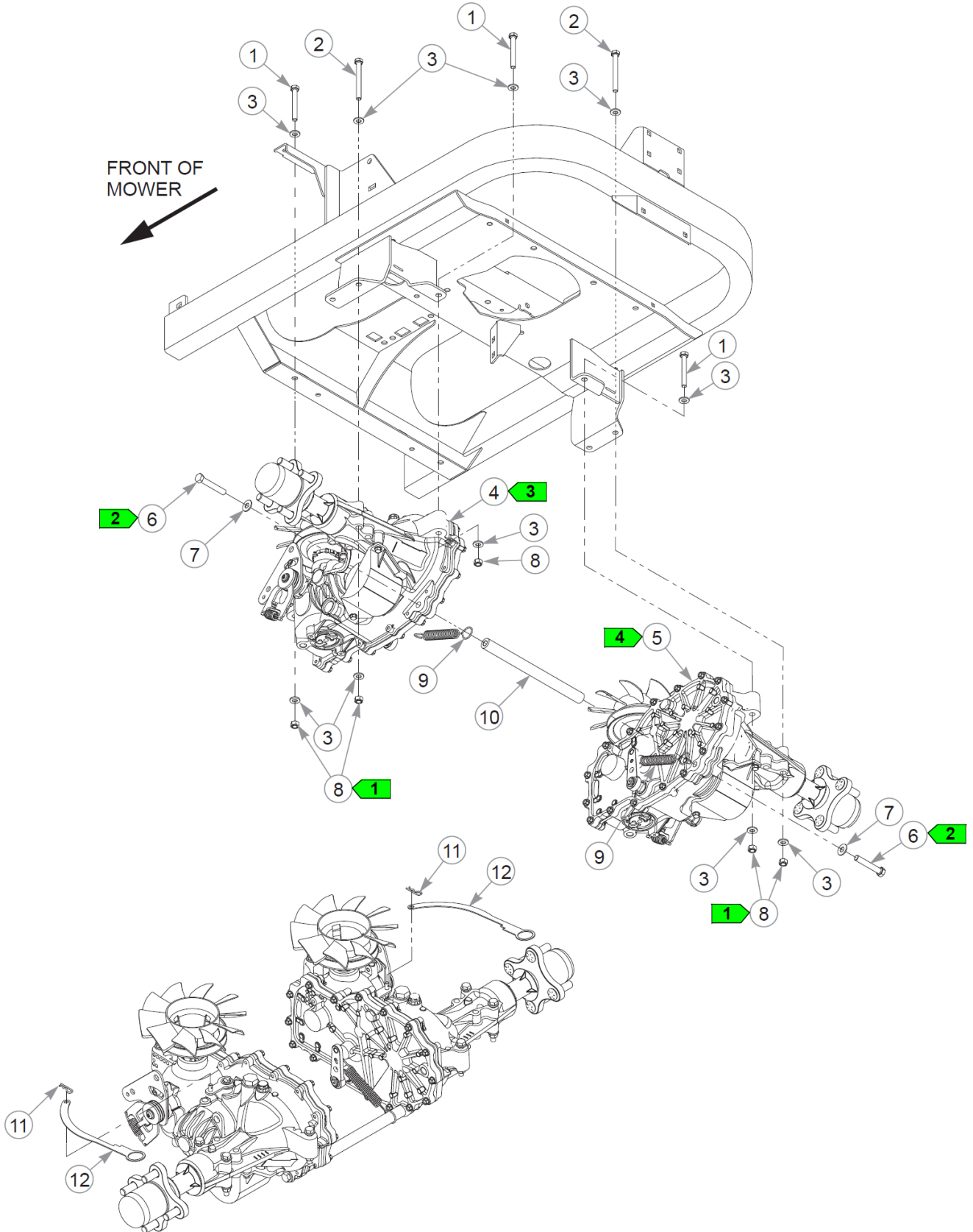
| Item | Part No. | Qty   | Name                     |
|------|----------|-------|--------------------------|
| 1    | 126384-1 | 1     | BATTERY HOLD DOWN        |
| 2    | 033035   | 2.35" | WEATHERSTRIP .12X.75     |
| 3    | 056077   | 2     | CS .250-20X1.000HXG5     |
| 4    | 768515   | 2     | FW 0.281SAE              |
| 5    | 601319   | 1     | POS. BATTERY CABLE BOOT  |
| 6    | 024927   | 2     | NT .250-20HXG5           |
| 7    | 607723   | 1     | BATTERY, AGM 12V 9AMH    |
| 8    | 055947   | 2     | CS .250-20X0.50 HX G5 ZN |
| 9    | 126383-1 | 1     | BATTERY BASE             |

Comments for Page: Battery

1. When performing service on the mower, disconnect the negative battery cable (black) and do not reconnect it to the battery until ready to start the engine.

WEATHERSTRIP LENGTH

A: 2.35"



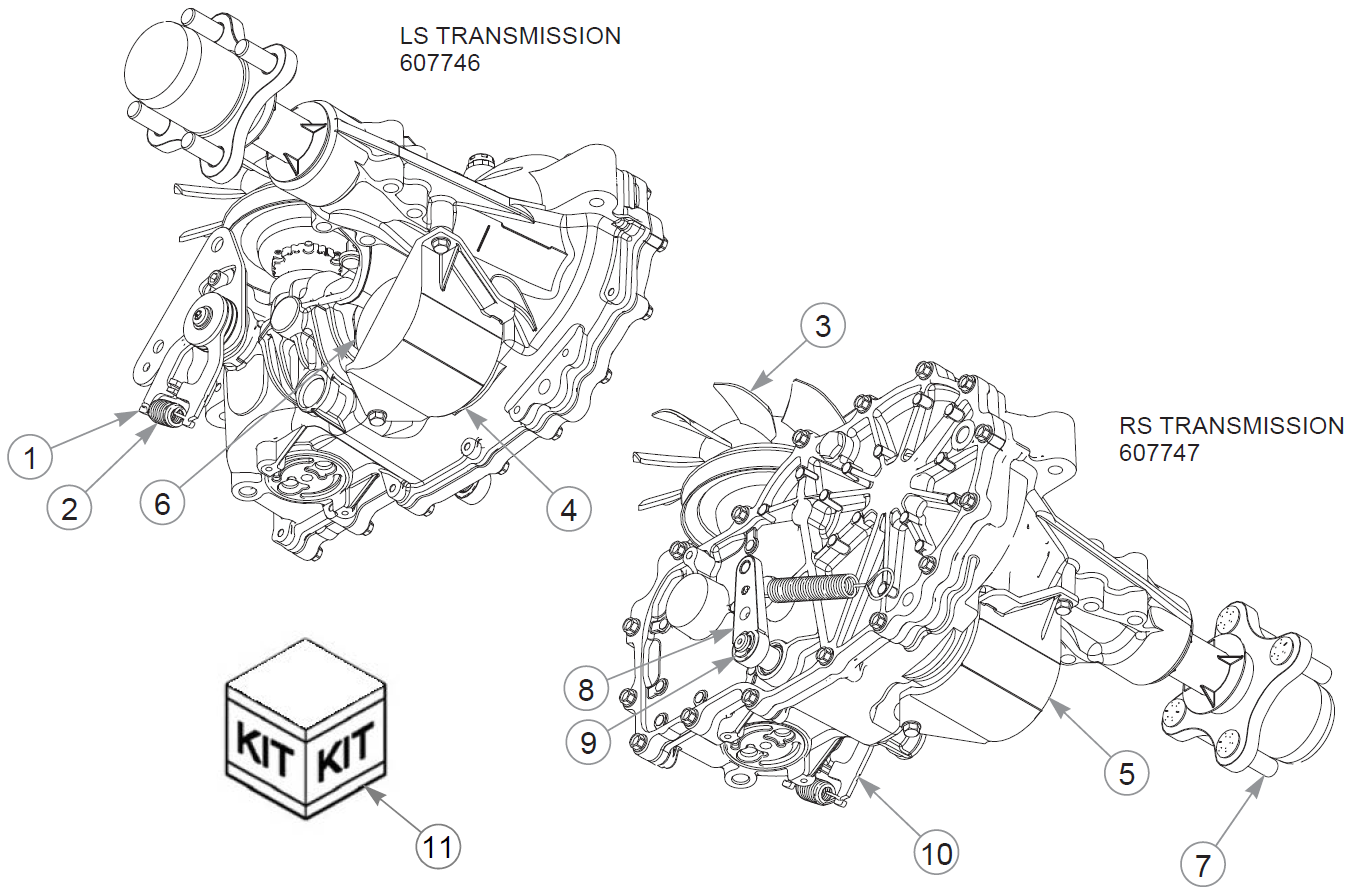
## Transmissions

| Item | Part No. | Qty | Name                    |
|------|----------|-----|-------------------------|
| 1    | 710087   | 4   | CS .312-18X2.500HXG5    |
| 2    | 043067   | 4   | CS .312-18X3.000HXG5    |
| 3    | 768523   | 16  | FW 0.343SAE             |
| 4    | 607746   | 1   | ZT2800, 20.69:1 TRANS   |
| 5    | 607747   | 1   | ZT2800, 20.69:1 TRANS   |
| 6    | 608241   | 2   | CS .375-16X2.250HXG8    |
| 7    | 712919   | 2   | FW 0.406X1.00X.12 HD ZN |
| 8    | 058776   | 8   | NT .312-18NLG5          |
| 9    | 607944   | 2   | SPRING, BRAKE BIAS      |
| 10   | 607836   | 1   | TORSION ROD, RSD        |
| 11   | 706549   | 2   | HP0.080X1.190           |
| 12   | 607826-1 | 2   | LINK, TOW VALVE         |

Comments for Page: Transmissions

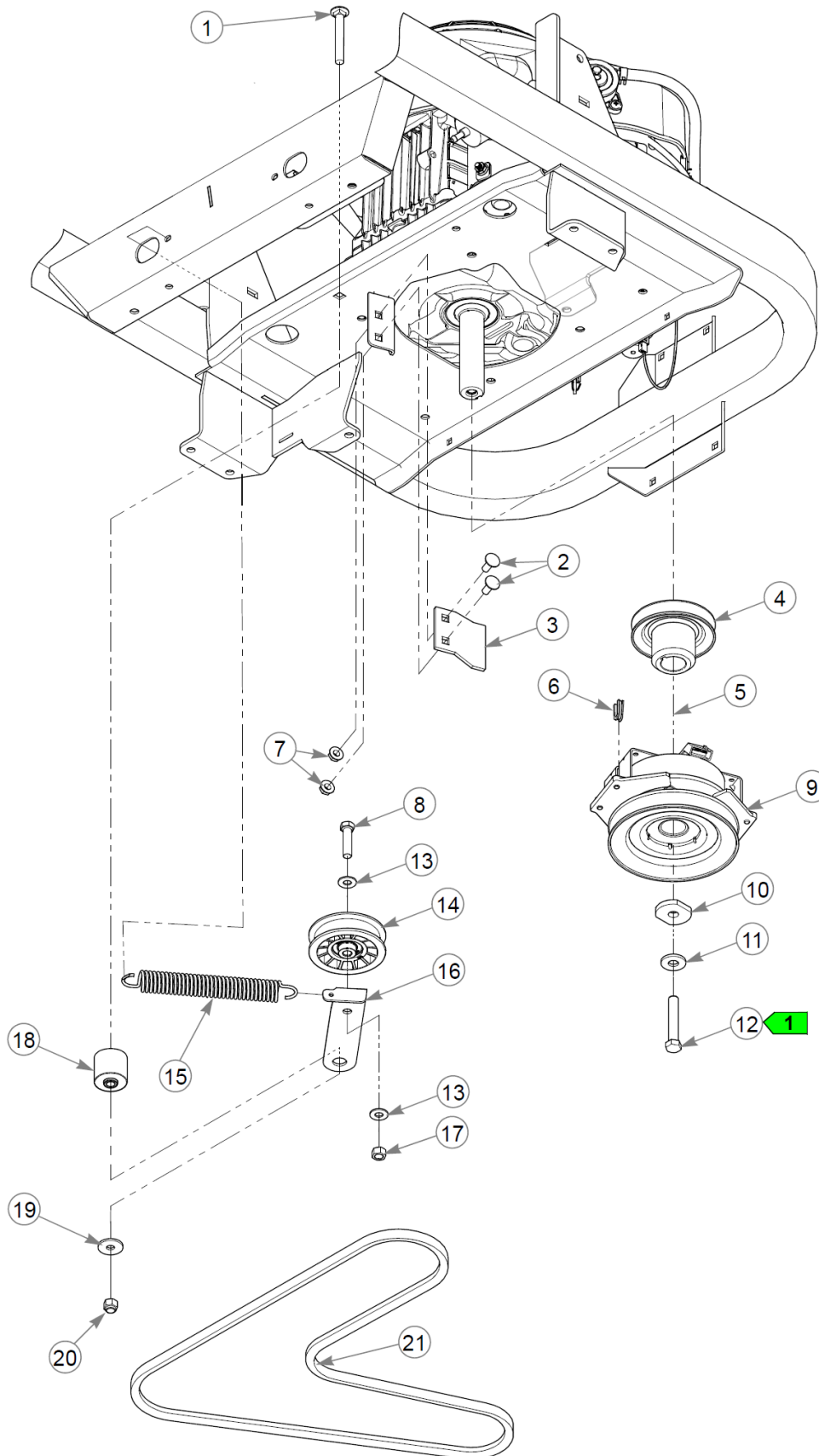
1. Torque to 17 ft-lbs.
2. Torque to 44 ft-lbs.
3. Left side transmission.
4. Right side transmission.





## Transmission Service Parts

| Item  | Part No. | Qty | Name                    |
|---|----------|-----|-------------------------|
| 1   | 604902   | 1   | HG RTN CCW              |
| 2   | 604903   | 1   | HG RTN SPRING           |
| 3   | 601941   | 1   | FAN/PULLEY KIT          |
| 4   | 600975   | 1   | GUARD, TRANS FILTER     |
| 5   | 600974   | 1   | GUARD, TRANS FILTER     |
| 6   | 600976   | 1   | HYDRAULIC OIL FILTER    |
| 7   | 601433   | 1   | KIT, HUB 4 BOLT         |
| <p>Comments for Part Num. 601433</p> <p>CUSTOMER SERVICE NOTE:<br/>Lug Studs are not sold separately.</p> |          |     |                         |
| 8   | 601221   | 1   | ZT2800 BRAKE ARM - 2007 |
| 9   | 600972   | 1   | CLIP, RETAINING         |
| 10  | 604903   | 1   | HG RTN SPRING           |
| 11  | 607199   | 1   | SEAL KIT 72994 HYDRO-G  |

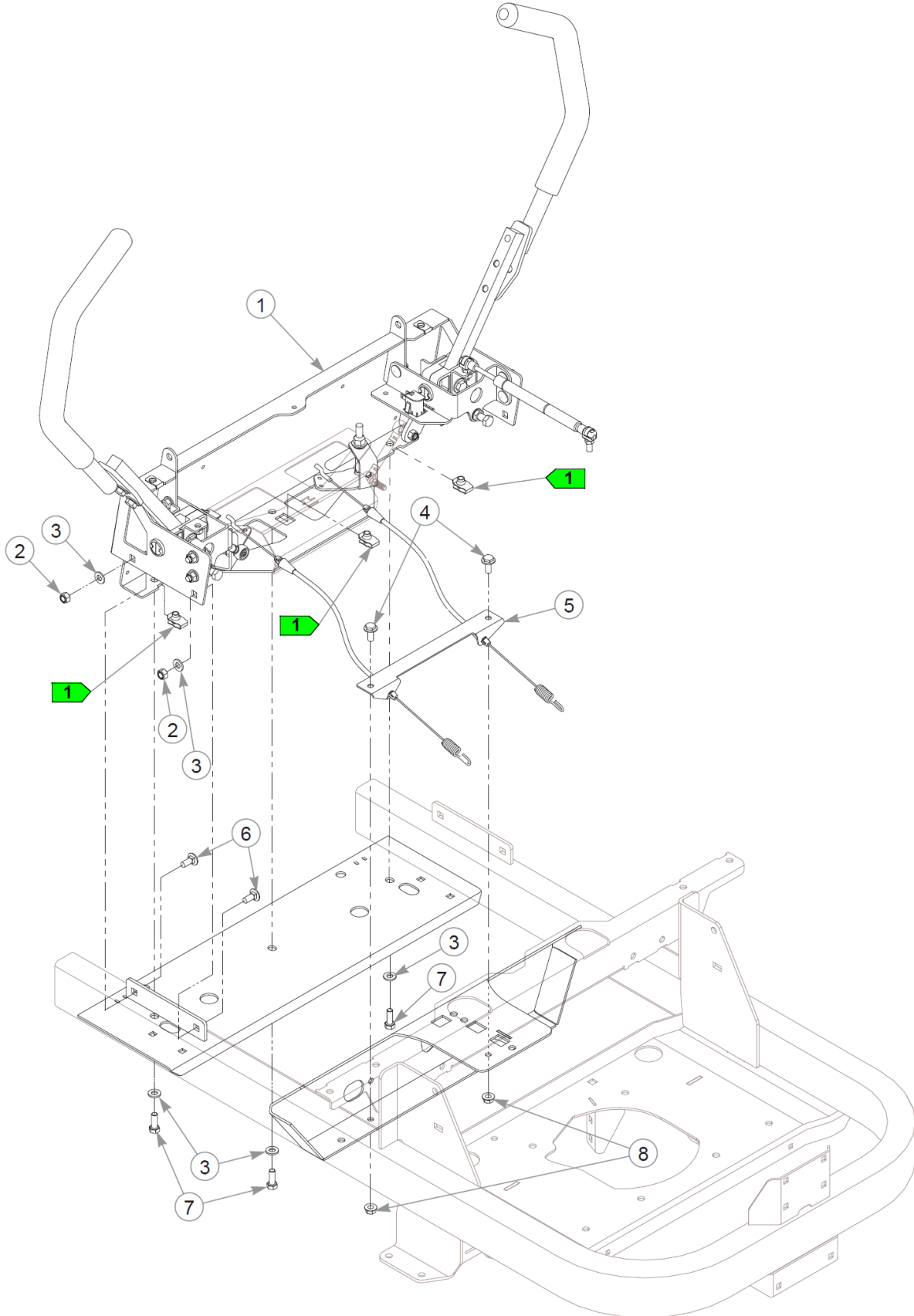


## Drive Belt & Clutch

| Item | Part No. | Qty | Name                     |
|------|----------|-----|--------------------------|
| 1    | 601887   | 1   | CB .375-16 X 2.75 STD ZN |
| 2    | 016253   | 2   | CB .312-18X .750 FUL ZN  |
| 3    | 126203-1 | 1   | CLUTCH ANCHOR            |
| 4    | 607761   | 1   | PULLEY, ENG 4.118OP      |
| 5    | 712372   | 1   | KEY 1/4 SQ X 0.66 LG(FS) |
| 6    | 607827   | 1   | BUSHING, CLUTCH          |
| 7    | 016832   | 2   | NT .312-18FLKG5          |
| 8    | 080655   | 1   | CS .375-16X1.500HXG5     |
| 9    | 607757K  | 1   | KIT, CLUTCH              |
| 10   | 607828   | 1   | FW .468X1.625X.25 DD     |
| 11   | 602680   | 1   | FW .453X1.12X.12 HRD ZN  |
| 12   | 785659   | 1   | CS .437-20X2.50 HXG5 P85 |
| 13   | 767954   | 2   | FW 0.379X.82X.06 HD ZN   |
| 14   | 607163   | 1   | PULLEY, 3" FLAT POLY     |
| 15   | 607585   | 1   | SPRING, EXTENSION        |
| 16   | 607837   | 1   | TENSIONER                |
| 17   | 054502   | 1   | NT .375-16HXG5           |
| 18   | 607763   | 1   | SPACER, PIVOT IDLER      |
| 19   | 712893   | 1   | FW 0.406X1.25X.12 HD ZN  |
| 20   | 086660   | 1   | NT .375-16NLG8           |
| 21   | 607830   | 1   | DRIVE BELT               |

Comments for Page: Drive Belt & Clutch

1. Torque the cap screw to 45–48 ft-lbs.

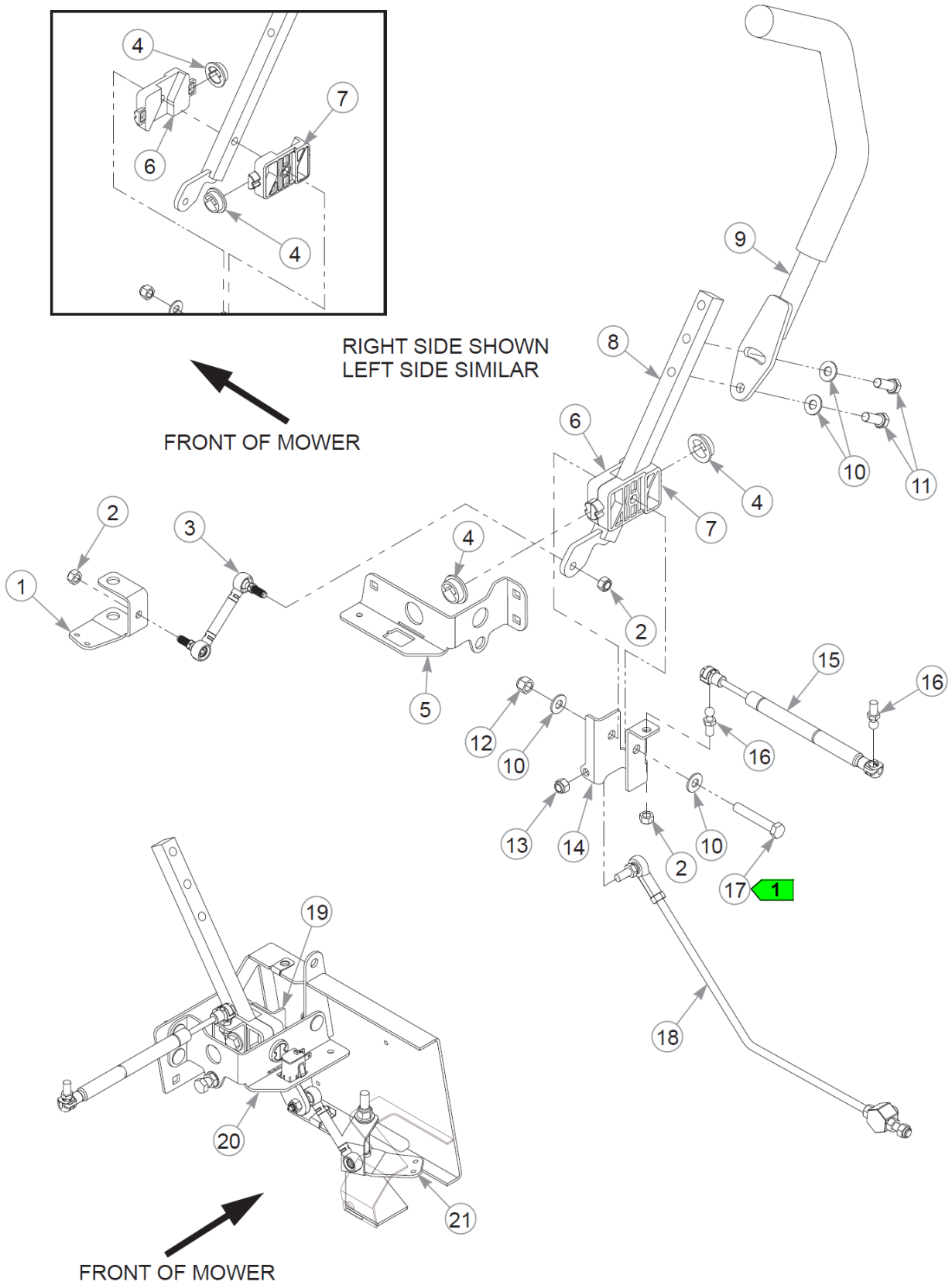


## Steering & Brake

| Item | Part No. | Qty | Name                         |
|------|----------|-----|------------------------------|
| 1    | N/A      | 1   | REFER TO "STEERING ASSEMBLY" |
| 2    | 058776   | 4   | NT .312-18NLG5               |
| 3    | 768523   | 7   | FW 0.343SAE                  |
| 4    | 016253   | 4   | CB .312-18X .750 FUL ZN      |
| 5    | 606575   | 2   | CLIP, SAFETY                 |
| 6    | 064014   | 3   | CS .312-18X0.875HXG5         |
| 7    | 029710   | 2   | CS .312-18X .750 HXFLK       |
| 8    | 126365-1 | 1   | MOUNTING BRKT BRAKE CABL     |
| 9    | 016832   | 2   | NT .312-18FLKG5              |

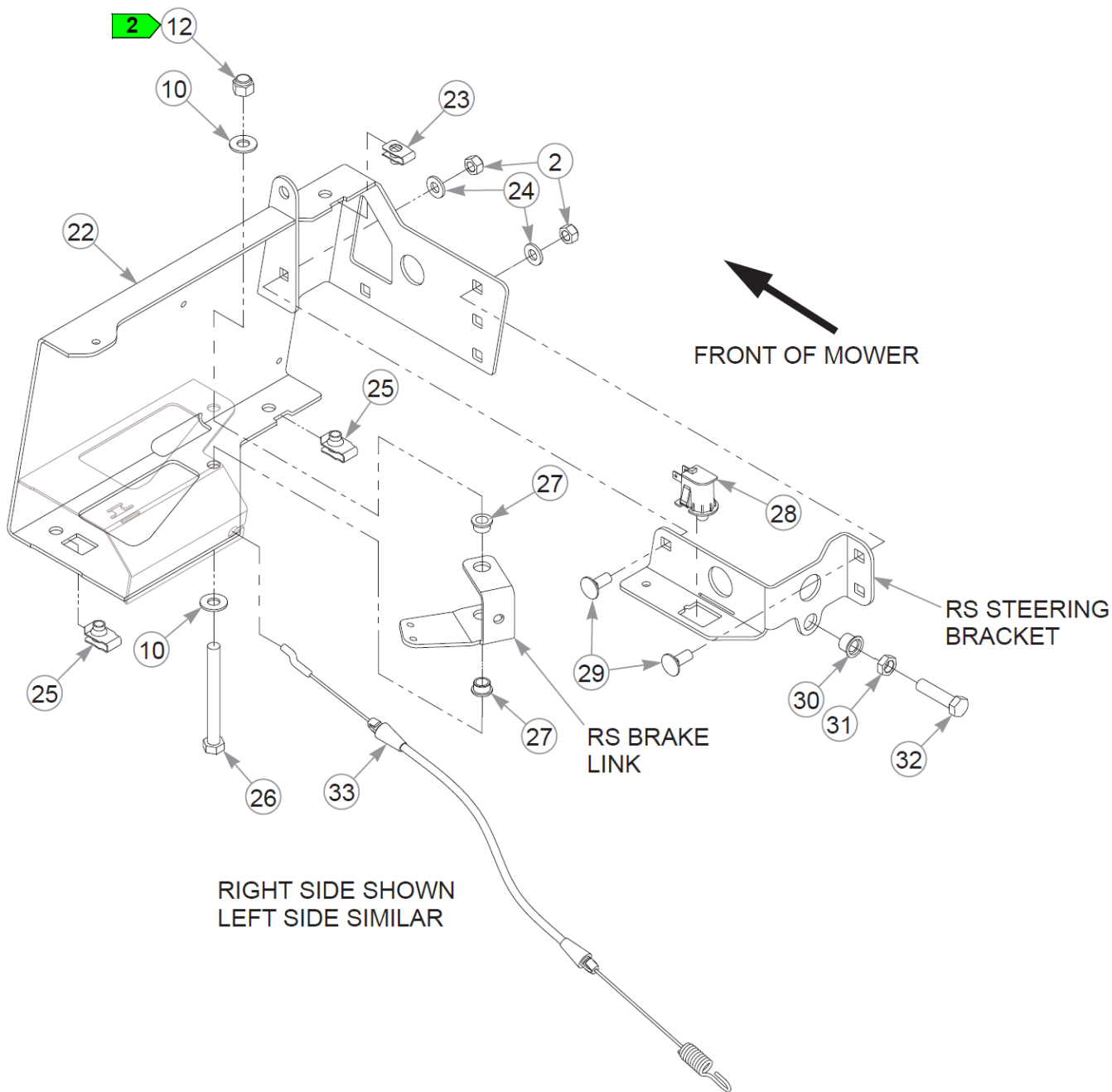
Comments for Page: Steering & Brake

1. Part of the Steering Assembly.



This page intentionally left blank





# Steering Assembly (Multi-Page)

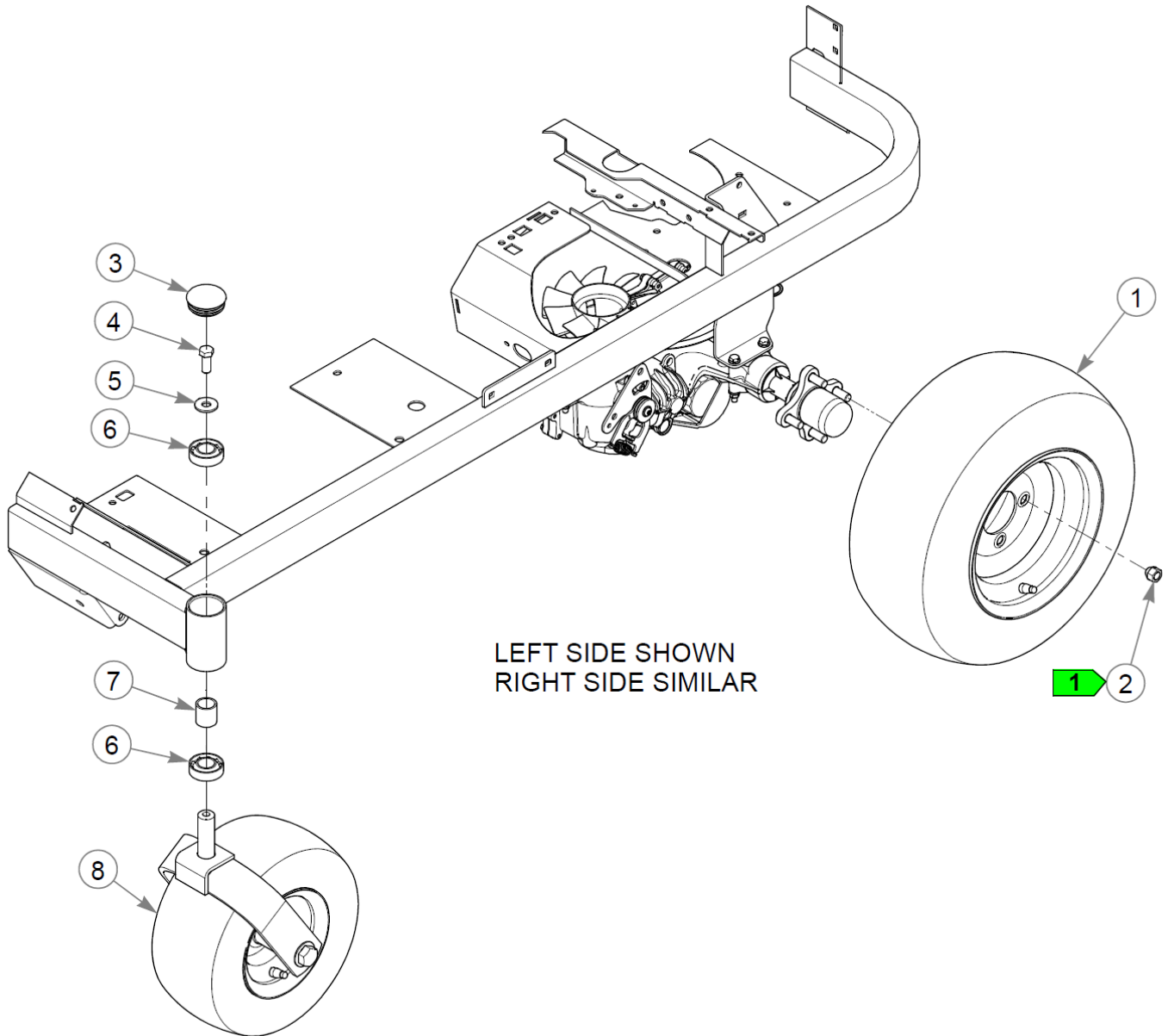
| Item      | Part No. | Qty | Name                     |
|-----------|----------|-----|--------------------------|
| 1         | 126362-1 | 1   | BRAKE CRANK RIGHT        |
| 2         | 058776   | 12  | NT .312-18NLG5           |
| 3         | 604179   | 2   | BRAKE LINK               |
| 4         | 607078   | 4   | STEERING BUSHING         |
| 5         | 126360-1 | 1   | STEERING BRACKET RIGHT   |
| 6         | 607077   | 2   | STEERING BLOCK A         |
| 7         | 607076   | 2   | STEERING BLOCK B         |
| 8         | 607957-4 | 2   | STEERING LEVER W/A       |
| 9         | 607069   | 2   | STEERING BAR W/A         |
| Not Shown | 781260   | 1   | GRIP, STEERING BAR       |
| 10        | 767954   | 12  | FW 0.379X.82X.06 HD ZN   |
| 11        | 036244   | 4   | CS .375-16X1.00 HX G5 ZN |
| 12        | 086660   | 4   | NT .375-16NLG8           |
| 13        | 023655   | 2   | NT 0.312-24 NL G8        |
| 14        | 126361-1 | 1   | STEERING LINKAGE MOUNT   |
| 15        | 603983   | 2   | DAMPER                   |
| 16        | 781922   | 4   | BALL STUD                |
| 17        | 056036   | 2   | CS .375-16X2.250HXG5     |
| 18        | 607938   | 2   | STEERING ROD S/A         |
| 19        | 126359-1 | 1   | STEERING LINKAGE LEFT    |
| 20        | 126358-1 | 1   | STEERING BRKT LH         |
| 21        | 126363-1 | 1   | BRAKE CRANK LEFT         |
| 22        | 126357-6 | 1   | STEERING COVER W/A       |
| 23        | 601982   | 2   | CN .250-20X .150 MAX THK |
| 24        | 768523   | 6   | FW 0.343SAE              |
| 25        | 601069   | 3   | CN .312-18x.200 MAX THK  |
| 26        | 005108   | 2   | CS .375-16X3.500HXG5     |
| 27        | 765339   | 4   | BUSHING,IGUS#0608 (FS)   |
| 28        | 793315   | 2   | SWITCH, SNAP MOUNT       |
| 29        | 016253   | 6   | CB .312-18X .750 FUL ZN  |
| 30        | 808493   | 2   | RIVET NUT, 3/8-16 THREA  |
| 31        | 706168   | 2   | NT .375-16JAMG5          |
| 32        | 604365   | 2   | CS .375-12X1.50 HX G5 ZN |
| 33        | 607965   | 2   | BRAKE CABLE              |

Comments for Page: Steering Assembly (Multi-Page)

## Steering Assembly (Multi-Page)

1. Torque to 11 ft-lbs.
2. Do not torque; the brake bell crank must pivot freely.
2. The steering arms include the grips.

This page intentionally left blank

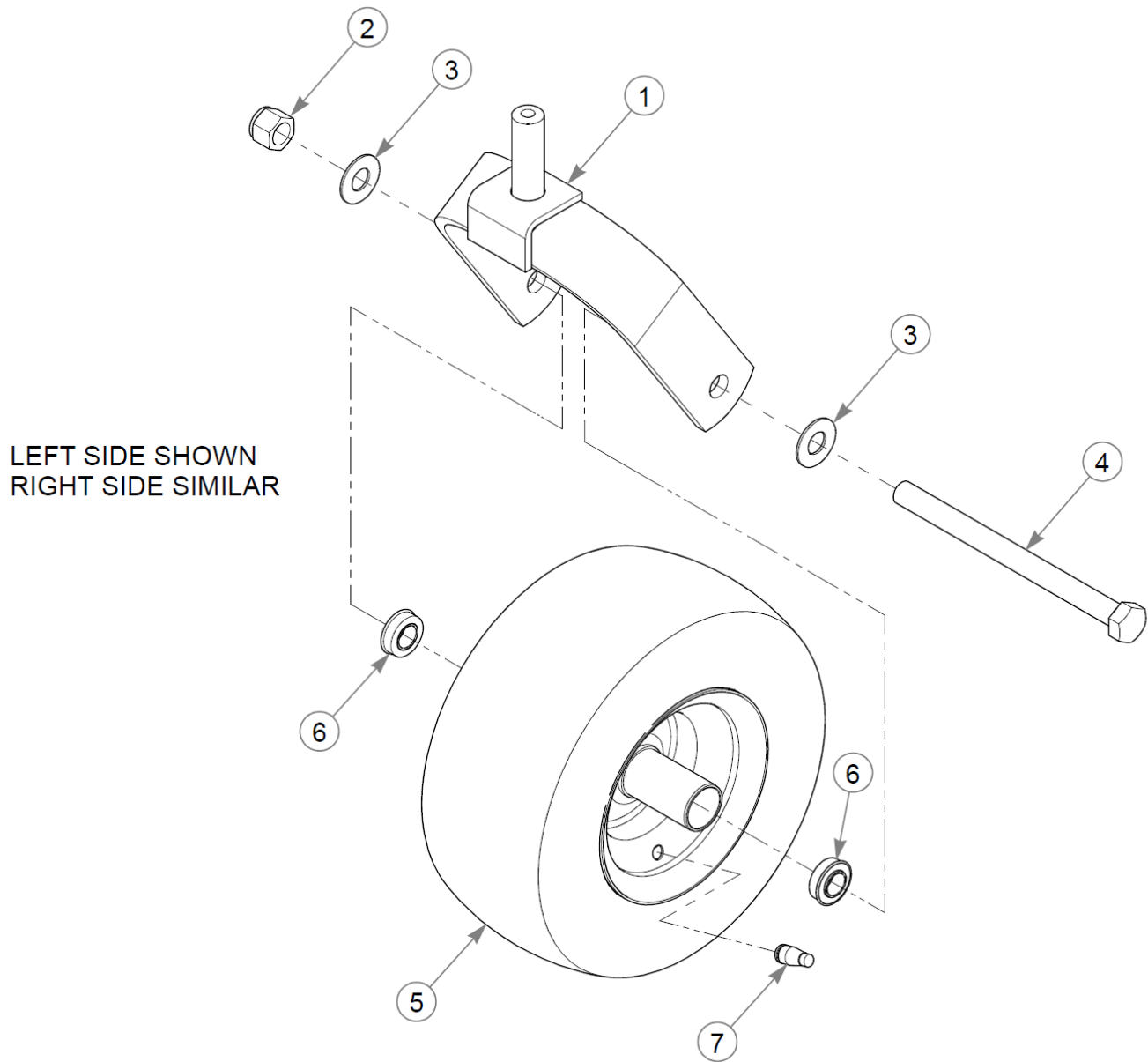


## Wheels & Tires

| Item | Part No. | Qty | Name                            |
|------|----------|-----|---------------------------------|
| 1    | 607815   | 2   | TIR/WHL 20X8.00-10 BLK          |
| 2    | 061077   | 8   | WHEEL NUT                       |
| 3    | 607831   | 2   | BEARING CAP                     |
| 4    | 705954   | 2   | CS .500-13X1.25 HX G5 ZN        |
| 5    | 712976   | 2   | FW 0.531X1.38X.12 ZN            |
| 6    | 784223   | 4   | BEARING                         |
| 7    | 784603   | 2   | SPACER                          |
| 8    | N/A      | 2   | REFER TO "FRONT WHEEL ASSEMBLY" |

Comments for Page: Wheels & Tires

1. Torque to 65–75 ft-lbs.

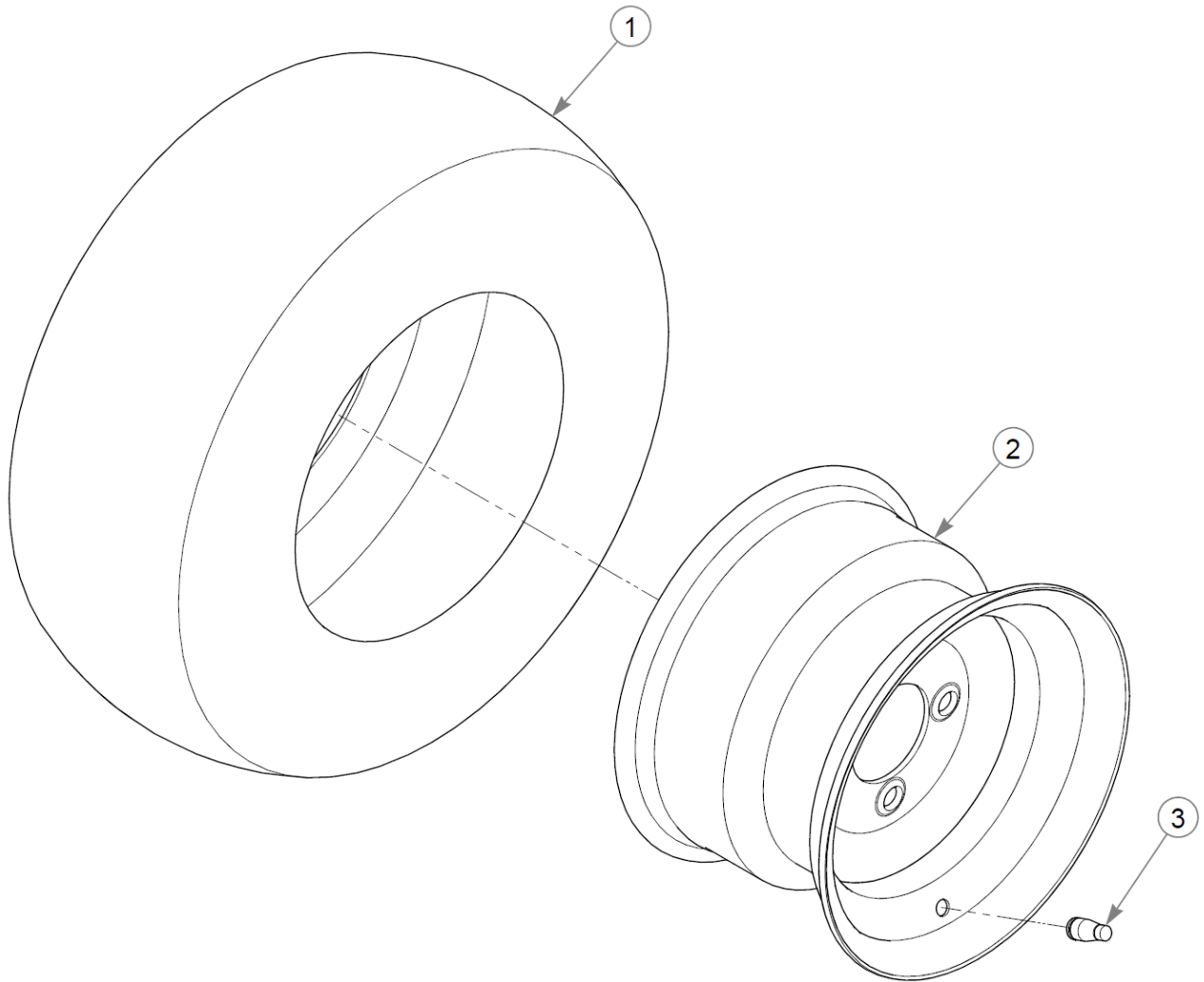


## Front Wheel Assembly

48" Raptor XD Parts Manual - 939744 - HTRXDS048KAWFR651VA

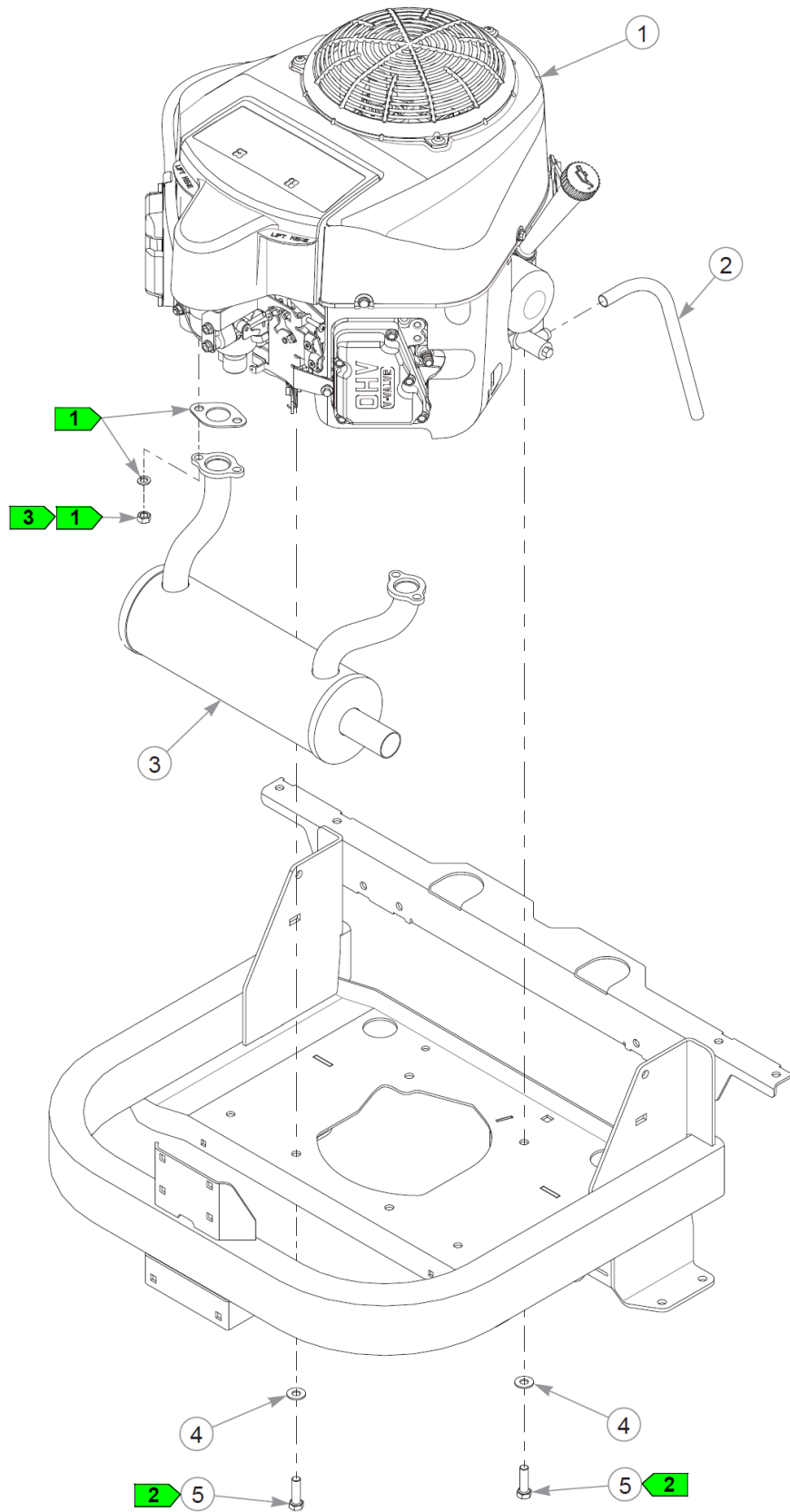
| Item | Part No. | Qty | Name                     |
|------|----------|-----|--------------------------|
| 1    | 604691   | 1   | FORK W/A                 |
| 2    | 061101   | 1   | NT .750-10 HX ZN NL GR B |
| 3    | 025296   | 2   | FW .760X1.63X0.08 ZN     |
| 4    | 041475   | 1   | CS .750-10X9.50 HX G5 ZN |
| 5    | 605035   | 1   | TIR/WHL 13X6.50-6 BLK    |
| 6    | 604845   | 2   | BEARING, WHEEL SEALED    |
| 7    | 019521   | 1   | TIRE VALVE TR-412 GOODY  |



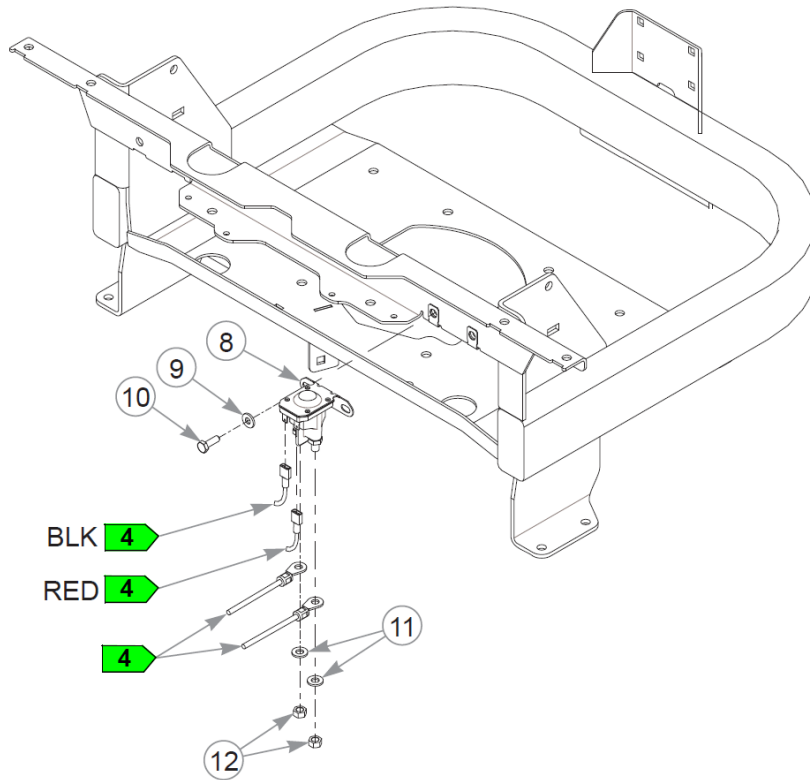
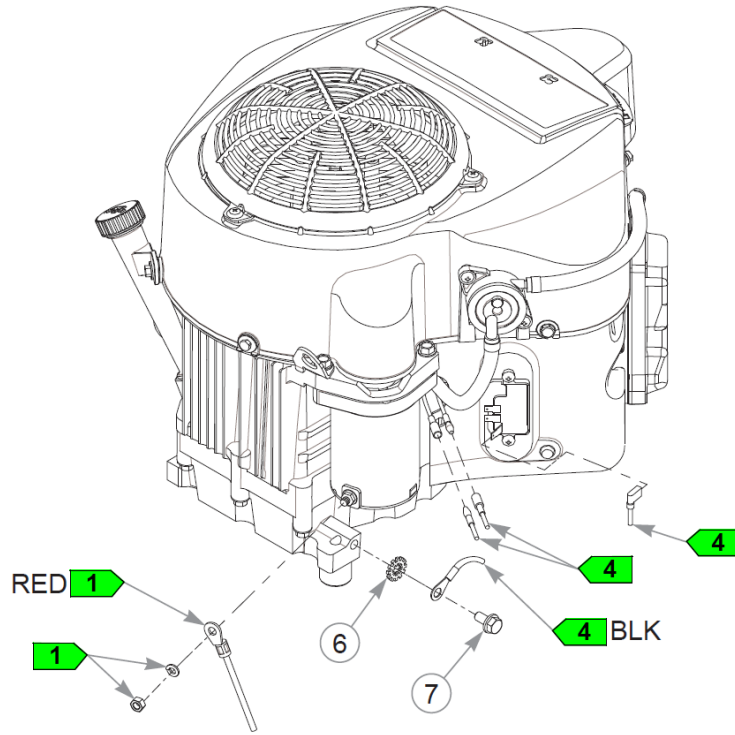


## Drive Wheel Breakdown

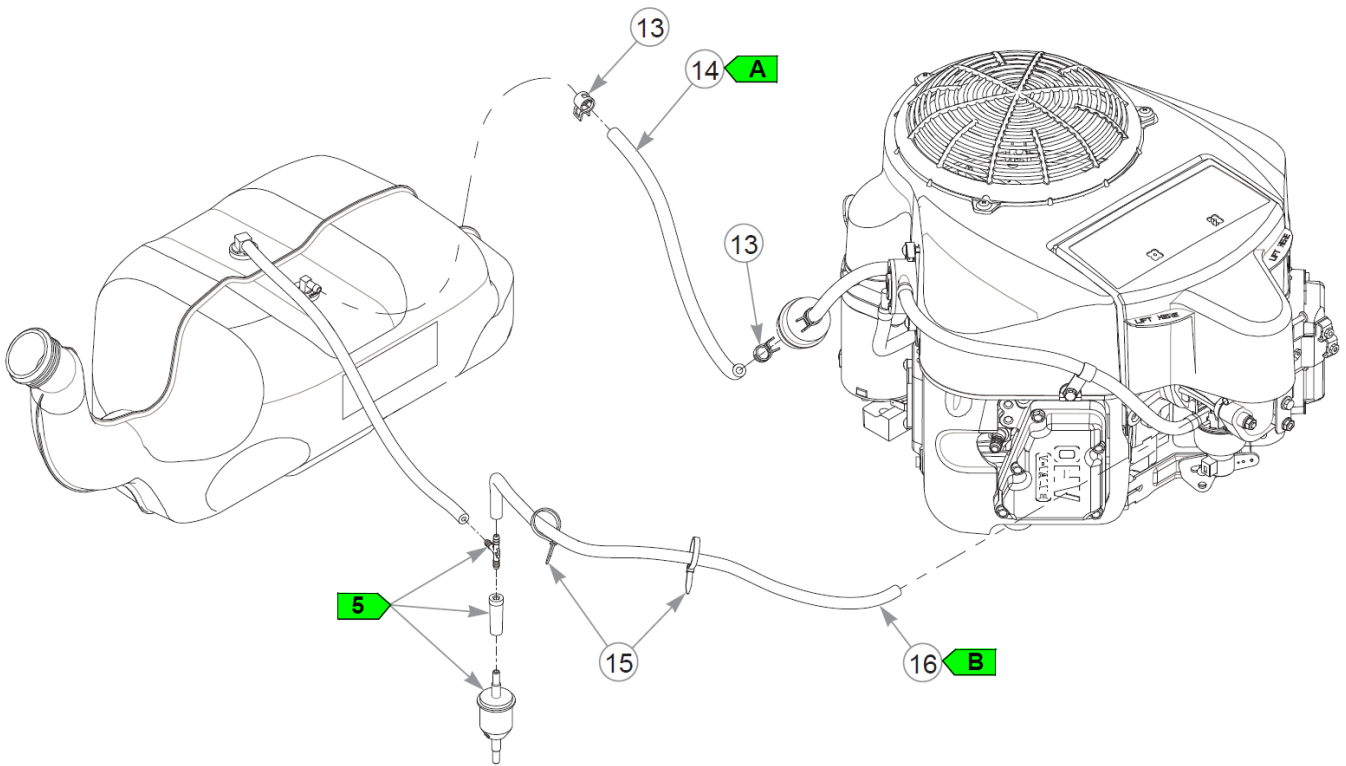
| Item | Part No. | Qty | Name                    |
|------|----------|-----|-------------------------|
| 1    | 607798   | 1   | TIR 20X8.00-10 B4R BGBT |
| 2    | 605034   | 1   | WHL 10X7.00 4X4.0 BLK   |
| 3    | 019521   | 1   | TIRE VALVE TR-412 GOODY |



This page intentionally left blank



This page intentionally left blank



| Item                          | Part No. | Qty | Name                     |
|-------------------------------|----------|-----|--------------------------|
| 1                             |          | 1   | ENGINE, KAWASAKI FR651V  |
| 2                             | 604463   | 1   | HOSE, OIL DRAIN          |
| 3                             | 607854   | 1   | MUFFLER                  |
| 4                             | 767954   | 4   | FW 0.379X.82X.06 HD ZN   |
| 5                             | 602580   | 4   | CS .375-16X1.25HXG8ZYP85 |
| 6                             | 029876   | 1   | LW .312 INTEXT ZN        |
| 7                             | 720516   | 1   | CS M8-1.25X16HX FL10.9   |
| 8                             | 606445   | 1   | STARTER SOLENOID         |
| 9                             | 768515   | 2   | FW 0.281SAE              |
| 10                            | 055939   | 2   | CS .250-20X0.75 HX G5 ZN |
| 11                            | 768523   | 2   | FW 0.343SAE              |
| 12                            | 041152   | 2   | NT 0.312-24 HX G8        |
| 13                            | 000323   | 2   | CLIP, HOSE CLAMP         |
| 14                            | 015818   | 13" | FUEL LINE, 1/4"          |
| Comments for Part Num. 015818 |          |     |                          |
| Sold by the foot.             |          |     |                          |
| 15                            | 000331   | 2   | WIRE TIE, SMALL/SHORT    |
| 16                            | 603326   | 25" | VAPOR LINE, 3/16"        |
| Comments for Part Num. 603326 |          |     |                          |
| Sold by the foot.             |          |     |                          |

Comments for Page: Engine & Muffler (Multi-Page)

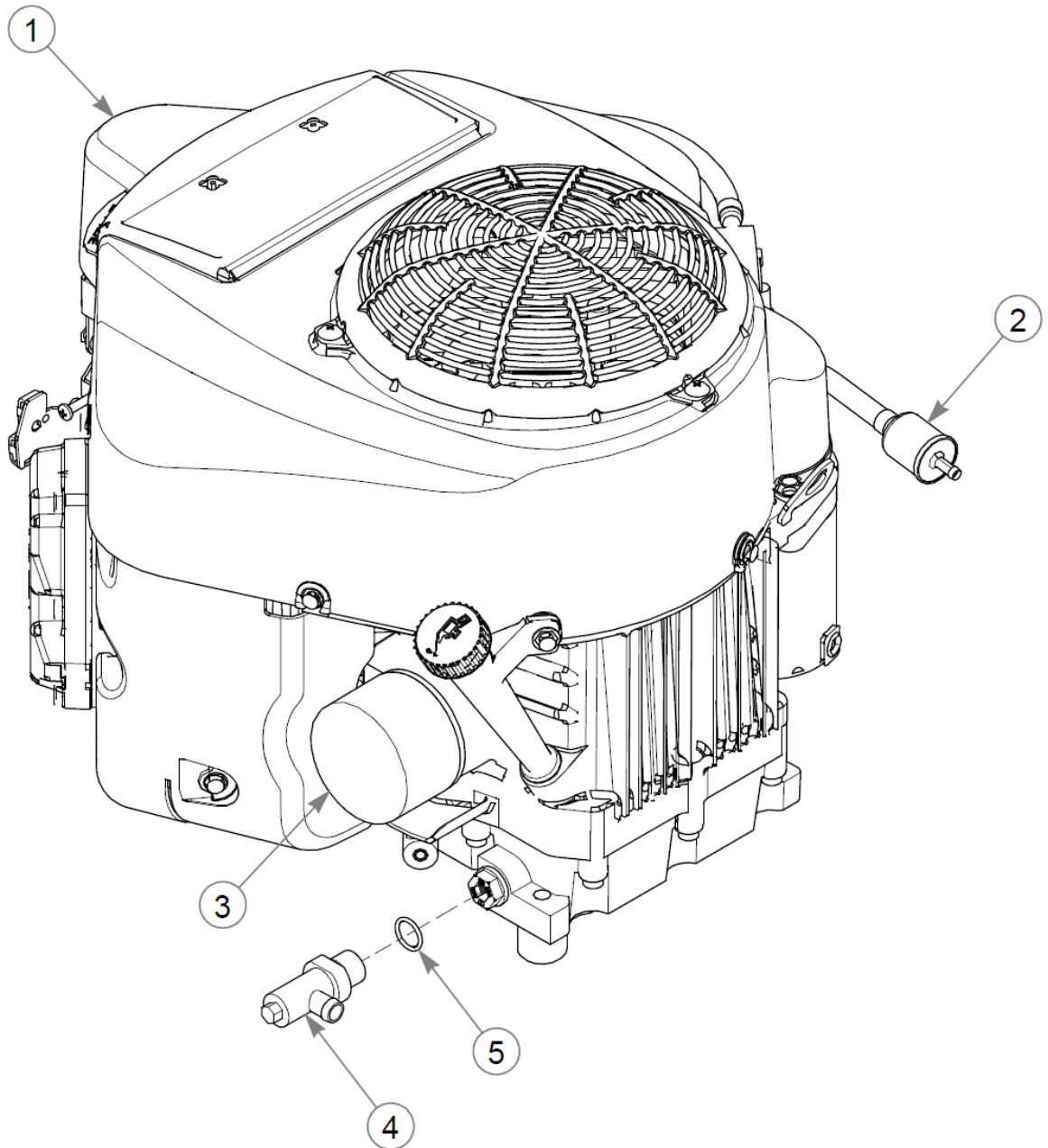
1. Supplied with the engine.
2. Torque to 30–35 ft-lbs. Replace (do not reuse) the cap screw if it is removed or loosened. Use only hand tools to install this fastener.
3. Torque to 17 ft-lbs.
4. Part of the wire harness.
5. Part of the fuel system.
6. Make sure the throttle lever is in the full throttle detent position.

FUEL & VAPOR LINE LENGTHS

A: 13" TANK TO FUEL FILTER (FUEL)

B: 25" ENGINE TO TEE (VAPOR)

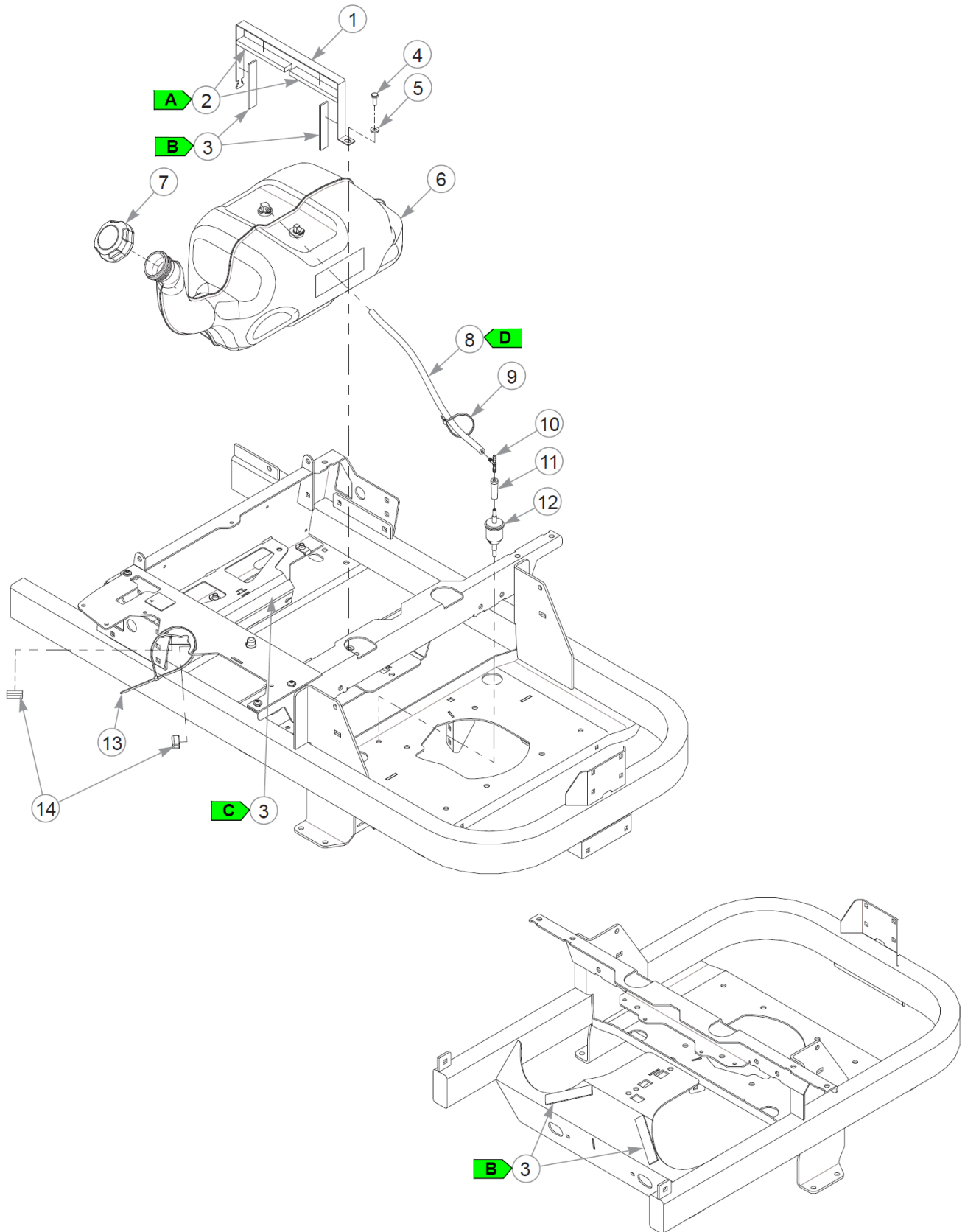




## Engine Service Parts - FR651V

48" Raptor XD Parts Manual - 939744 - HTRXDS048KAWFR651VA

| Item | Part No. | Qty | Name                  |
|------|----------|-----|-----------------------|
| 1    | 603059   | 1   | AIR FILTER - MAIN     |
| 2    | 068478   | 1   | FUEL FILTER - IN LINE |
| 3    | 602581   | 1   | ENGINE OIL FILTER     |
| 4    | 604350   | 1   | VALVE, OIL DRAIN      |
| 5    | 604369   | 1   | O-RING                |



# Fuel System

| Item                          | Part No. | Qty  | Name                     |
|-------------------------------|----------|------|--------------------------|
| 1                             | 126202-1 | 1    | YELLOW, TANK MOUNT       |
| 2                             | 713198   | 10   | SEAL 3/8x3/4 SOLD BY FT  |
| 3                             | 608040   | 24   | RUBBER STRIP             |
| 4                             | 055939   | 1    | CS .250-20X0.75 HX G5 ZN |
| 5                             | 768515   | 1    | FW 0.281SAE              |
| 6                             | 607745   | 1    | FUEL TANK ASSY           |
| 7                             | 607731   | 1    | CAP - 2.25" KELCH        |
| 8                             | 603326   | 16.5 | VAPOR LINE, 3/16"        |
| Comments for Part Num. 603326 |          |      |                          |
| Sold by the foot.             |          |      |                          |
| 9                             | 000331   | 1    | WIRE TIE, SMALL/SHORT    |
| 10                            | 605690   | 1    | TEE, 3/16" PLASTIC       |
| 11                            | 605564   | 1    | BOOT, 3/16 TO 3/16       |
| 12                            | 604323   | 1    | VAPOR SYSTEM FILTER      |
| 13                            | 000430   | 1    | WIRE TIE, SMALL/LONG     |
| 14                            | 604966   | 2    | TRIM LOCK, 1.13"         |

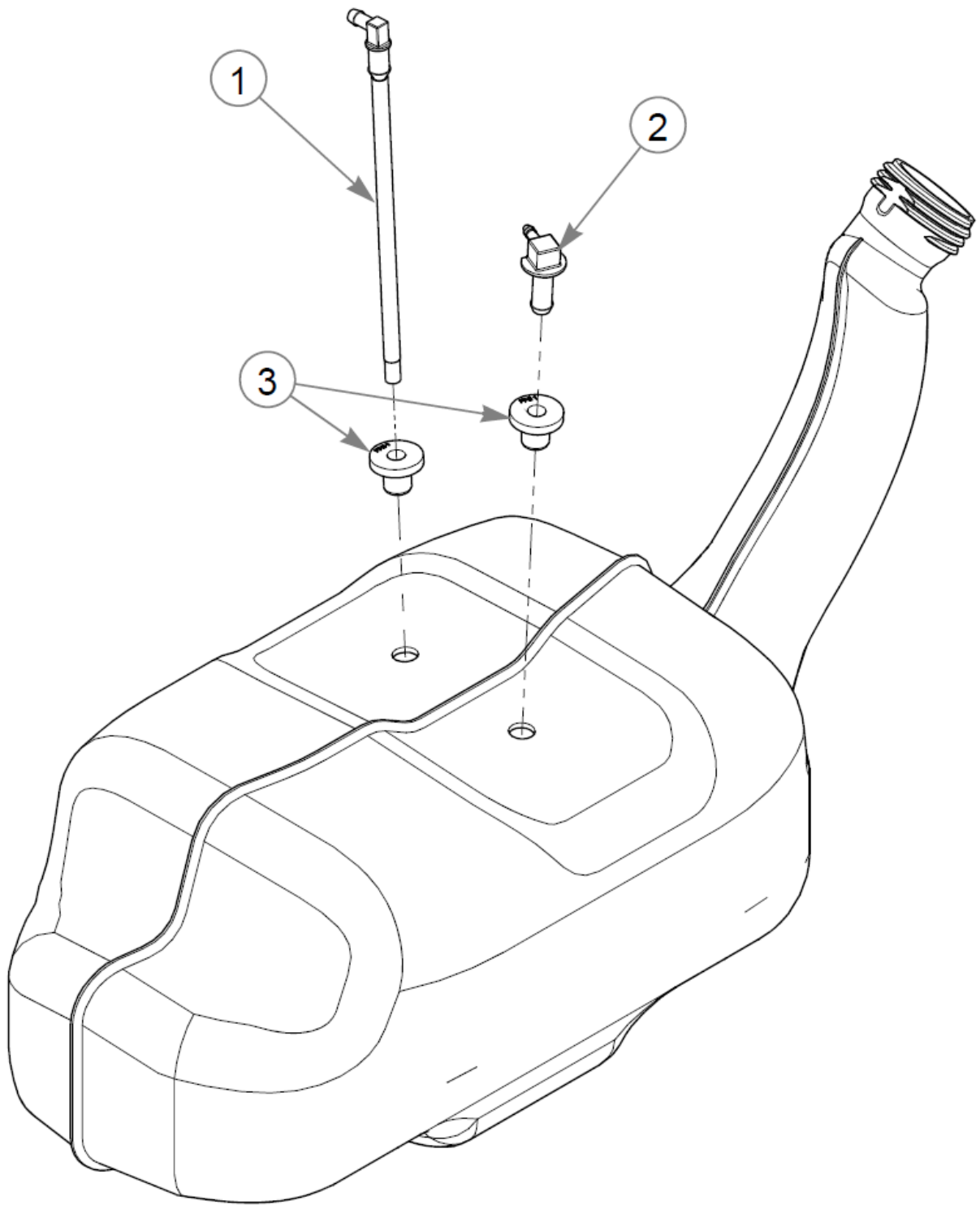
Comments for Page: Fuel System

SEAL/RUBBER STRIP LENGTH

- A: 5"
- B: 4"
- C: 7.5"

VAPOR LINE LENGTH

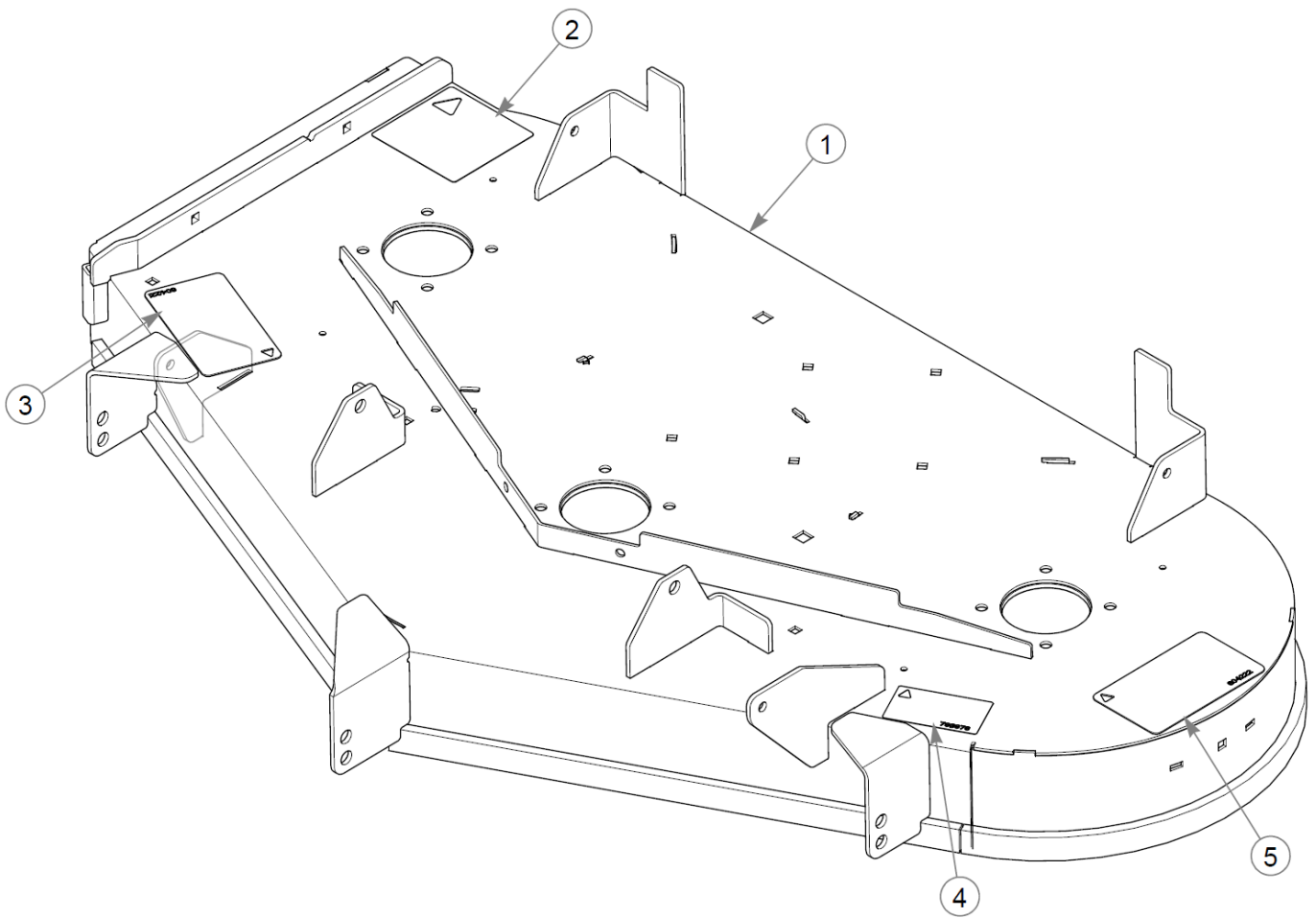
- D: 16.5" TANK TO VAPOR TEE (VAPOR)



## Fuel Tank Service Parts - 607745

48" Raptor XD Parts Manual - 939744 - HTRXDS048KAWFR651VA

| Item | Part No. | Qty | Name                 |
|------|----------|-----|----------------------|
| 1    | 605126K  | 1   | SUCTION HOSE SVC KIT |
| 2    | 604287K  | 1   | VENT FITTING SVC KIT |
| 3    | 604200K  | 2   | GROMMET SVC KIT      |



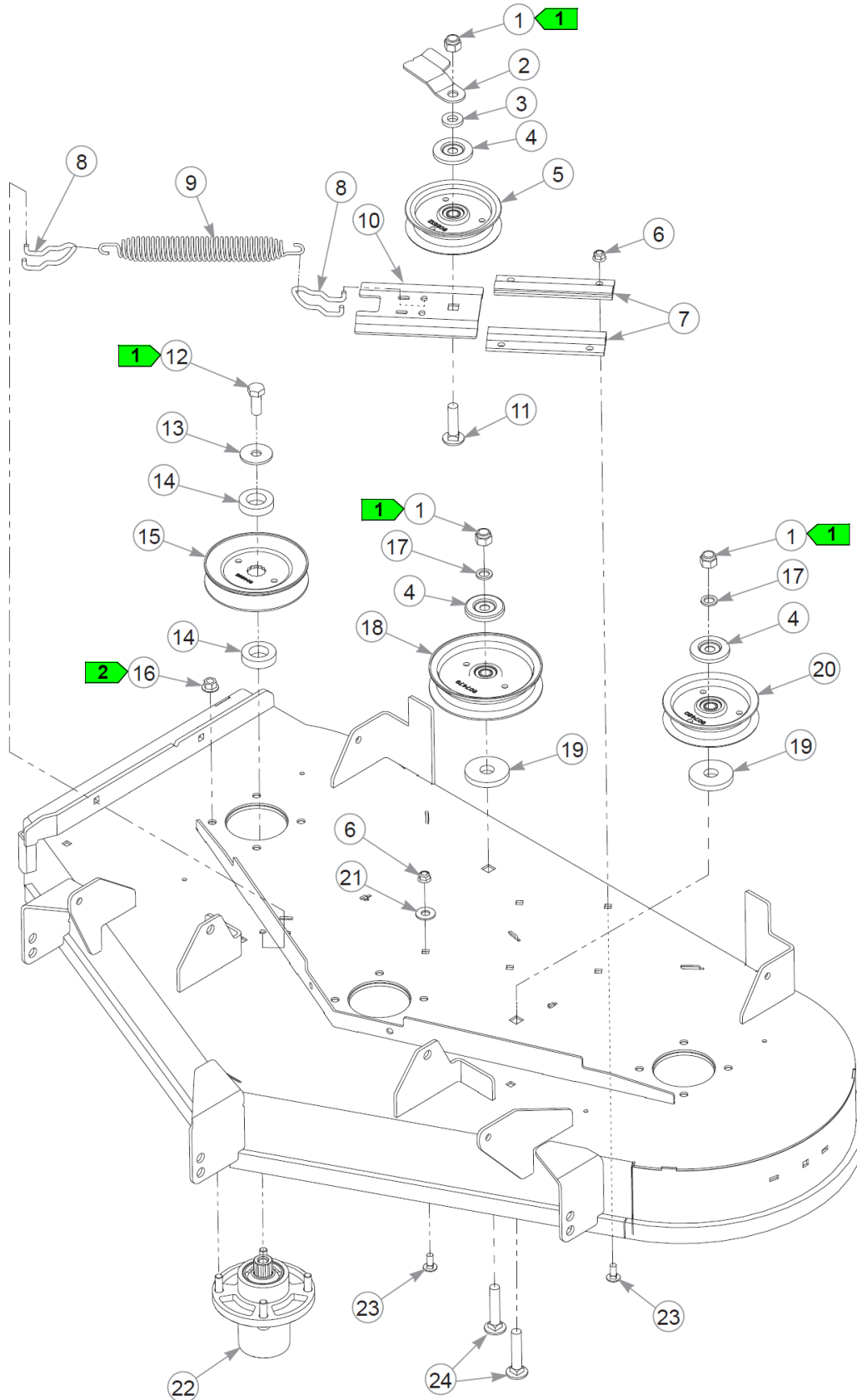
## Service Deck

| Item | Part No. | Qty | Name                    |
|------|----------|-----|-------------------------|
| 1    | 555463   | 1   | SVC, DECK DECAL         |
| 2    | 781419   | 1   | DECAL, BELT ROUTING     |
| 3    | 604221   | 1   | DECAL, DANGER / CHUTE   |
| 4    | 793976   | 1   | DECAL,48"DECK ID        |
| 5    | 604222   | 1   | DECAL, DANGER / OBJECTS |

Comments for Page: Service Deck

1. The deck includes the decals.



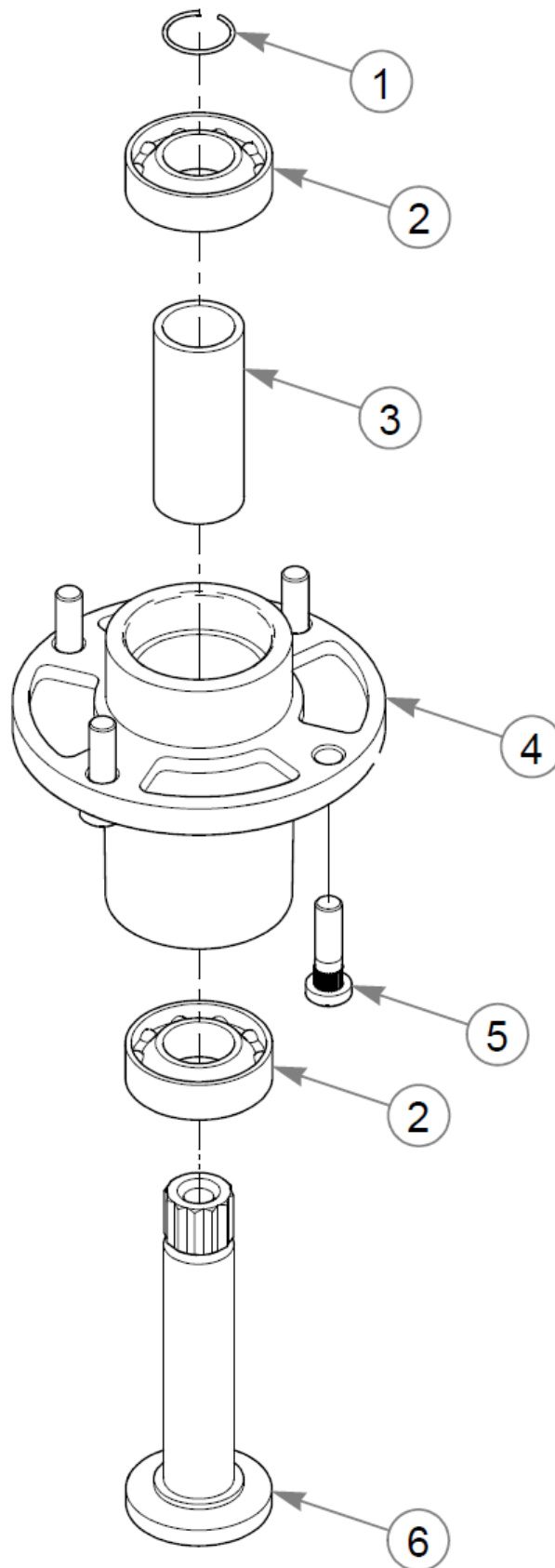


## Deck Pulleys & Spindles

| Item | Part No. | Qty | Name                     |
|------|----------|-----|--------------------------|
| 1    | 781567   | 3   | NT .500-13NLG5           |
| 2    | 125847-4 | 1   | BELT GUIDE, 4.00" IDLER  |
| 3    | 607428   | 1   | FW 0.531 X 0.90 X 0.134  |
| 4    | 605467   | 3   | DUST SHIELD              |
| 5    | 605512   | 1   | 4" IDLER PULLEY          |
| 6    | 608059   | 5   | NT 0.312-18 FL NY G5     |
| 7    | 604079   | 2   | IDLER SLIDE, EXTRUDED    |
| 8    | 604110   | 2   | ANCHOR, SPRING TENSIONER |
| 9    | 607616   | 1   | SPRING, DECK IDLER       |
| 10   | 604194   | 1   | SLED, IDLER              |
| 11   | 604253   | 1   | CB .50-13 X 2.00 STD ZN  |
| 12   | 705954   | 3   | CS .500-13X1.25 HX G5 ZN |
| 13   | 798603   | 3   | FW .515X1.65X.12 HD ZN   |
| 14   | 604661   | 6   | SPACER, SPINDLE PULLEY   |
| 15   | 604665   | 3   | PULLEY, DECK DRIVE B-SEC |
| 16   | 604515   | 12  | NT .375-16 FL NY GF      |
| 17   | 604486   | 2   | FW .531X.812X.089 HD     |
| 18   | 607479   | 1   | IDLER PULLEY, 5.00"      |
| 19   | 605508   | 2   | FW .73X2.25X.31 ZN       |
| 20   | 607480   | 1   | IDLER PULLEY, 4.00"      |
| 21   | 017129   | 1   | FW .440X1.00X0.08 ZN     |
| 22   | 607418   | 3   | BLADE SPINDLE ASSY       |
| 23   | 016253   | 5   | CB .312-18X .750 FUL ZN  |
| 24   | 604254   | 2   | CB .50-13 X 2.50 STD ZN  |

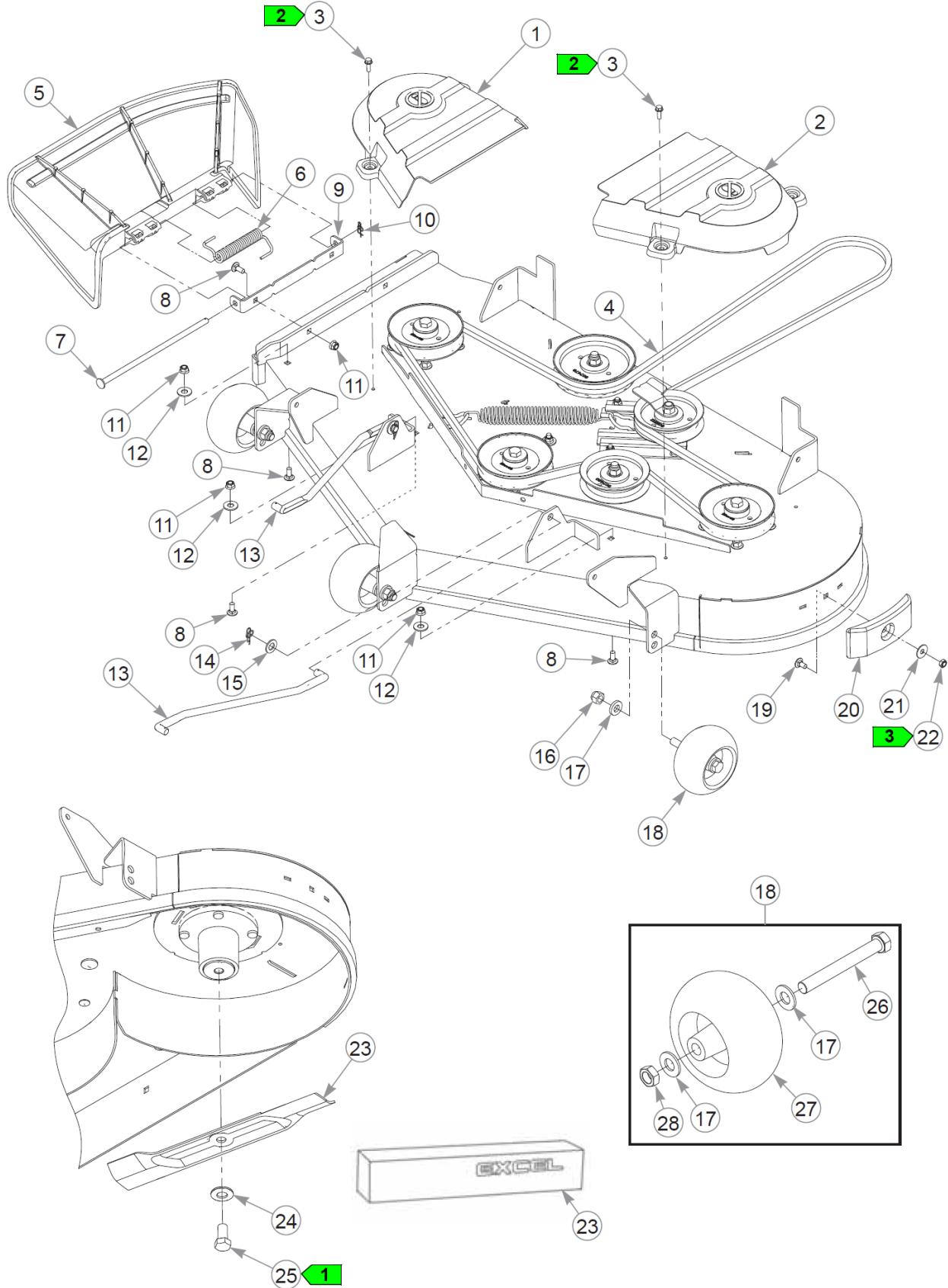
Comments for Page: Deck Pulleys & Spindles

1. Torque to 73 ft-lbs.
2. Torque to 30 ft-lbs.



## Spindle Service Parts - 607418

| Item | Part No. | Qty | Name                     |
|------|----------|-----|--------------------------|
| 1    | 783548   | 1   | RING, BLADE SPINDLE RET  |
| 2    | 601827   | 2   | BEARING, 6205 2RST C3    |
| 3    | 601830   | 1   | SPACER, BLADE SPINDLE    |
| 4    | 607419   | 1   | SVC, SPINDLE HOUSING     |
| 5    | 607416   | 4   | AXEL BOLT 3/8-16 X 1.375 |
| 6    | 601829   | 1   | SHAFT, BLADE SPINDLE     |



# Deck Belt, Pulley Covers & Blades

| Item      | Part No. | Qty | Name                     |
|-----------|----------|-----|--------------------------|
| 1         | 607865   | 1   | PULLEY COVER, RH         |
| 2         | 607866   | 1   | PULLEY COVER, LH         |
| 3         | 604324   | 4   | CS .250-20 X .75 HX FLG  |
| 4         | 601788   | 1   | DECK BELT                |
| 5         | 607961   | 1   | DISCHARGE CHUTE          |
| 6         | 607981   | 1   | SPRING, TORSION          |
| 7         | 607991   | 1   | PIN, DISCHARGE CHUTE     |
| 8         | 016253   | 5   | CB .312-18X .750 FUL ZN  |
| 9         | 126410-4 | 1   | DISCHARGE CHUTE BRKT     |
| 10        | 607093   | 1   | CP, RUE RING .054 X .392 |
| 11        | 608059   | 5   | NT 0.312-18 FL NY G5     |
| 12        | 017129   | 3   | FW .440X1.00X0.08 ZN     |
| 13        | 607969   | 2   | PULLER, DECK             |
| 14        | 607051   | 2   | CP, RUE RING .062 X .520 |
| 15        | 004168   | 2   | FW .531x1.00x.090 ZN     |
| 16        | 781567   | 3   | NT .500-13NLG5           |
| 17        | 767962   | 9   | FW .531 x 1.063 x .175   |
| 18        | 788166   | 3   | WHEEL ASSY, ANTI SCALP   |
| 19        | 083147   | 1   | CB .312-18X .620 G5 ZN   |
| 20        | 607946   | 1   | BUMPER, DECK             |
| 21        | 079210   | 1   | FW 0.344X1.0X0.06 ZN     |
| 22        | 604251   | 1   | NT .312-18 HXNL JAM G2ZN |
| 23        | 607558   | 3   | BLADE, 16.50"-L-F-CW     |
| Not Shown | 607558X  | 1   | 10PK, BLADE 16.50"       |
| Not Shown | 601014   | 3   | BLADE, F16.50"-L-F-CW    |
| Not Shown | 601014X  | 1   | 10PK BLADE, F16.50-L-F-C |
| Not Shown | 795757   | 3   | BLADE, F16.50"-H-F-CW    |
| Not Shown | 795757X  | 1   | 10PK BLADE, F16.50"-H-F- |
| Not Shown | 796623   | 3   | BLADE, 16.50"-MUL-F-CW   |
| Not Shown | 796623X  | 1   | 10PK BLADE, 16.50"-MUL-F |
| Not Shown | 796631   | 3   | BLADE, 16.50"-GAT-F-CW   |
| Not Shown | 796631X  | 1   | 10PK BLADE, 16.50"-GAT-F |
| Not Shown | 796649   | 3   | BLADE, 16.50"-CAT-F-CW   |
| Not Shown | 796649X  | 1   | 10PK BLADE, 16.50"-CAT-F |
| 24        | 607962   | 3   | CW .678 X 1.500 X .135   |
| 25        | 781872   | 3   | CS .625-11X1.250HXG5     |

This page intentionally left blank

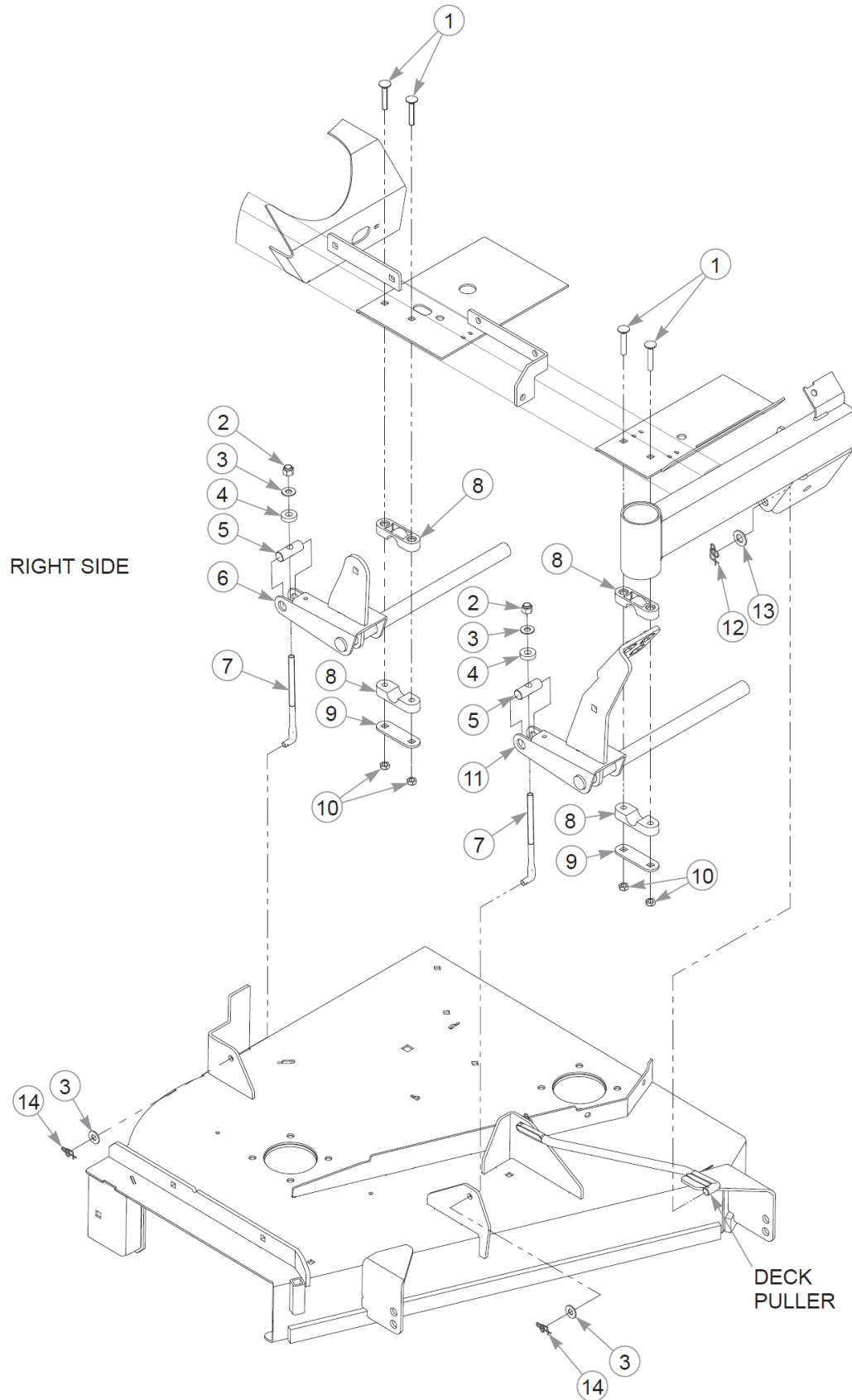
## Deck Belt, Pulley Covers & Blades

| Item | Part No. | Qty | Name                     |
|------|----------|-----|--------------------------|
| 26   | 781708   | 3   | CS .500-13X4.25 HX G5 ZN |
| 27   | 031997   | 3   | ANTI-SCALP WHEEL         |
| 28   | 053199   | 3   | NT .500-13JAMG5          |

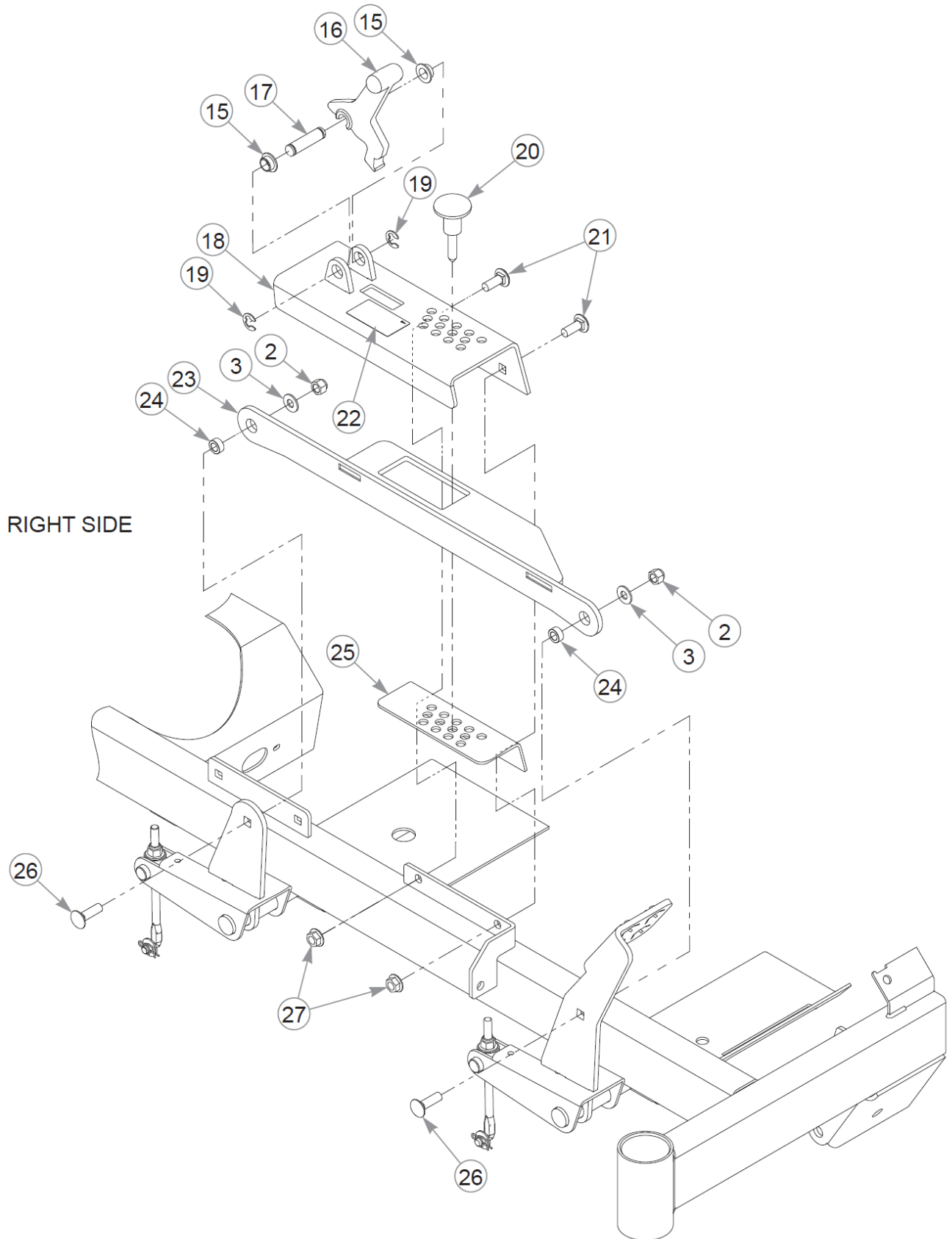
Comments for Page: Deck Belt, Pulley Covers & Blades

1. Torque to 118 ft-lbs.
2. Torque to 2–5 ft-lbs on these 4 self-tapping screws.
3. Torque to 3–6 ft-lbs.

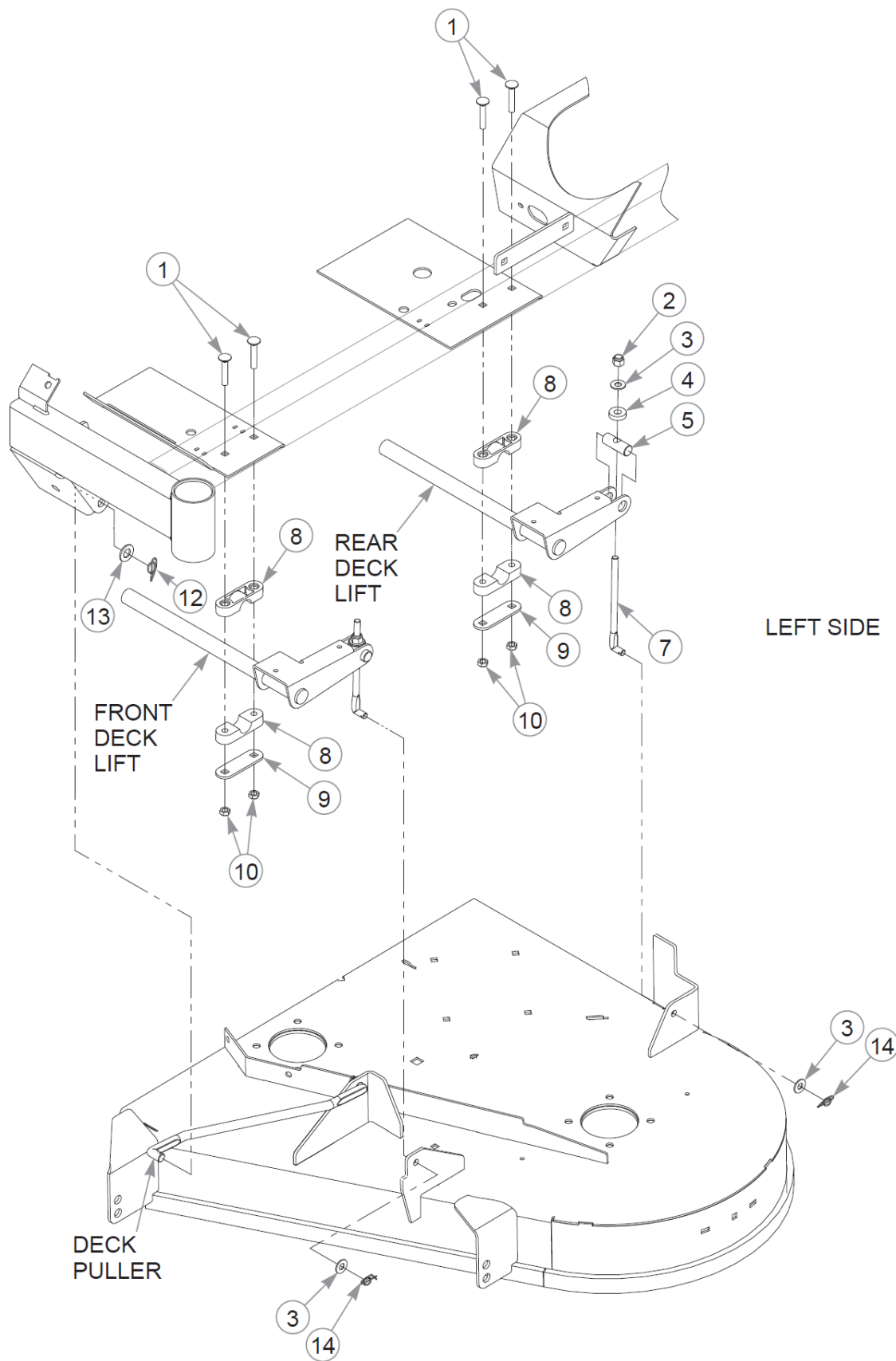




This page intentionally left blank



This page intentionally left blank

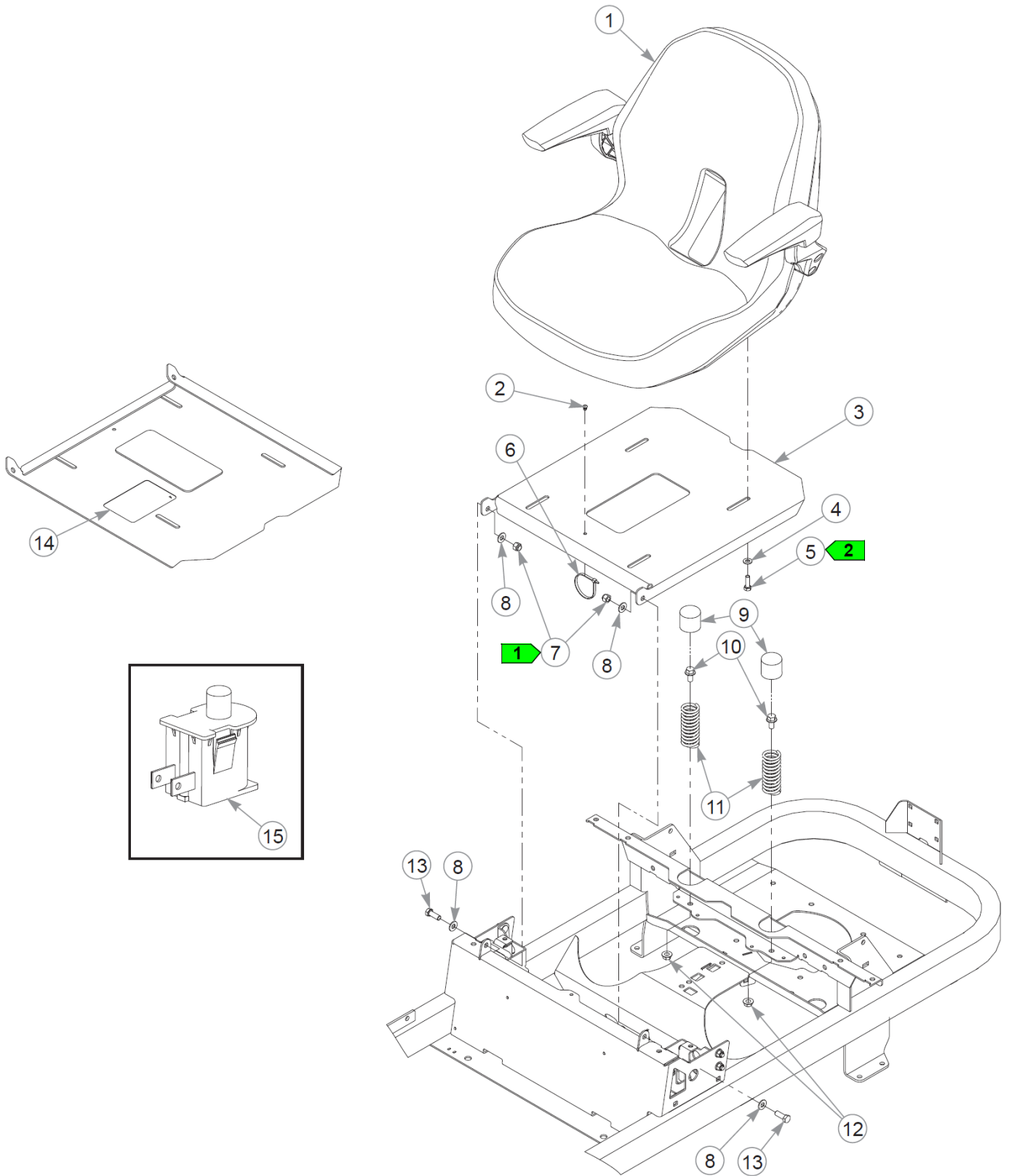


| Item | Part No. | Qty | Name                     |
|------|----------|-----|--------------------------|
| 1    | 771212   | 8   | CB .312-18X 1.750 G5     |
| 2    | 086660   | 6   | NT .375-16NLG8           |
| 3    | 767954   | 10  | FW 0.379X.82X.06 HD ZN   |
| 4    | 605114   | 4   | FW .41X.94X.25 UHMW      |
| 5    | 607970   | 4   | PIVOT, DECK LIFT         |
| 6    | 126389-1 | 1   | DECK LIFT W/A REAR       |
| 7    | 607912   | 4   | DECK HANGER              |
| 8    | 607907   | 8   | BUSHING, DECK LIFT       |
| 9    | 126369-1 | 4   | SUPPORT, DECK HANGER     |
| 10   | 604251   | 8   | NT .312-18 HXNL JAM G2ZN |
| 11   | 126385-1 | 1   | DECK LIFT W/A FRONT      |
| 12   | 607051   | 2   | CP, RUE RING .062 X .520 |
| 13   | 004168   | 2   | FW .531x1.00x.090 ZN     |
| 14   | 607093   | 4   | CP, RUE RING .054 X .392 |
| 15   | 768259   | 2   | BUSHING,IGUS#0810 (FS)   |
| 16   | 605466   | 1   | TRANSPORT LATCH          |
| 17   | 605470   | 1   | CE .500X2.00X1.63        |
| 18   | 555703   | 1   | SVC, DECK HEIGHT         |
| 19   | 793059   | 2   | CLIP E,(1/2"),.80X.396X. |
| 20   | 607039   | 1   | PIN, .375X1.62 MAGNETIC  |
| 21   | 025395   | 2   | CB .375-16X 1.00 G5 ZN   |
| 22   | 605538   | 1   | DECAL, DECK HEIGHT       |
| 23   | 126374-4 | 1   | DECK LIFT LINK ZINC      |
| 24   | 118900   | 2   | SPACER, DECK LIFT LINK   |
| 25   | 126370-1 | 1   | DECK HEIGHT BRACKET      |
| 26   | 603113   | 2   | CB .375-16X1.250 G5 ZN   |
| 27   | 016899   | 2   | NT .375-16 FLKG5         |

Comments for Page: Deck Lift & Mounting Hardware (Multi-Page)

1. The top deck lift bracket includes the decal.

# Seat



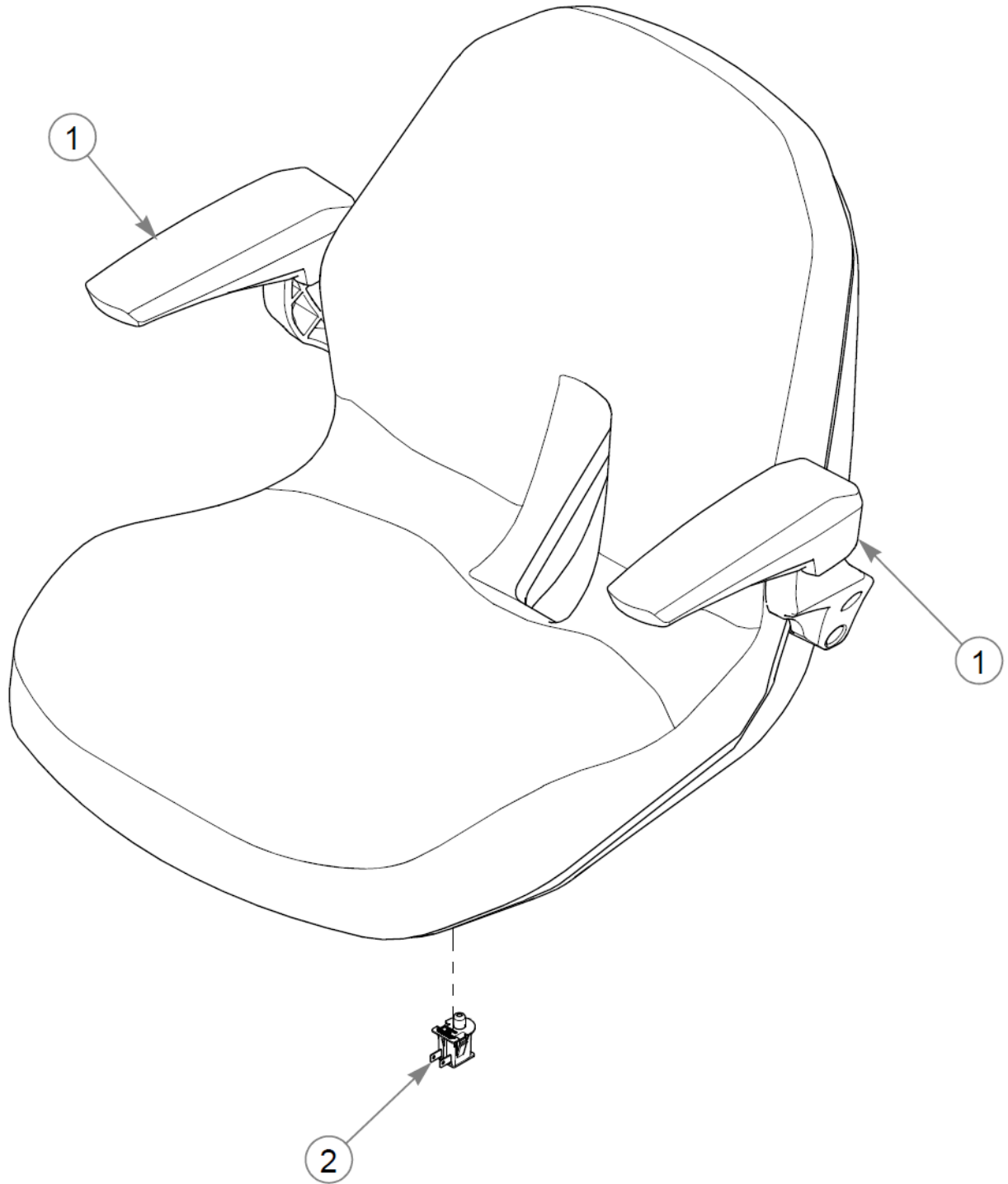
## Seat

| Item | Part No. | Qty | Name                     |
|------|----------|-----|--------------------------|
| 1    | 608028   | 1   | SEAT, SK130 W/ RF WELD   |
| 2    | 604307   | 1   | MOUNT, PUSH BUTTON       |
| 3    | 555767   | 1   | SVC, SEAT PAN            |
| 4    | 768523   | 4   | FW 0.343SAE              |
| 5    | 036236   | 4   | CS .312-18X1.000HXG5     |
| 6    | 000331   | 1   | WIRE TIE, SMALL/SHORT    |
| 7    | 086660   | 2   | NT .375-16NLG8           |
| 8    | 767954   | 4   | FW 0.379X.82X.06 HD ZN   |
| 9    | 607838   | 2   | CAP                      |
| 10   | 029629   | 2   | CS .375-16X0.75 HXF G5ZN |
| 11   | 793851   | 2   | SPRING,COMP 1.25X4.00X.  |
| 12   | 016899   | 2   | NT .375-16 FLKG5         |
| 13   | 036244   | 2   | CS .375-16X1.00 HX G5 ZN |
| 14   | 601815   | 1   | DECAL, BATTERY WARNINGS  |
| 15   | 793315   | 1   | SWITCH, SNAP MOUNT       |

Comments for Page: Seat

1. Do not torque; the seat pan must pivot freely.
2. Torque to 7 ft-lbs.
3. The seat pan includes the decal.





## Seat Service Parts

| Item | Part No. | Qty | Name                   |
|------|----------|-----|------------------------|
| 1    | 608153   | 1   | SVC, ARMREST KIT SK130 |
| 2    | 793315   | 1   | SWITCH, SNAP MOUNT     |