

Hustler® Parts Manual



HUSTLER®
TURF EQUIPMENT

200 South Ridge Road

Hesston, Kansas

67062



NOTICE OF REQUIREMENT OF SPARK ARRESTER MUFFLER

This equipment may create sparks that can start fires around dry vegetation. California Public Resources Code Section 4442.6 provides that it is unlawful to use or operate an internal combustion engine on any forest-covered, brush-covered, or grass-covered land unless the engine is equipped with a spark arrester maintained in effective working order. A spark arrester is a device constructed of nonflammable materials specifically for the purpose of removing and retaining carbon and other flammable particles over 0.0232 of an inch in size from the exhaust flow of an internal combustion engine that uses hydrocarbon fuels or which is qualified and rated by the United States Forest Service. Other states or federal areas may have similar laws. The Operator Should Contact Local Fire Agencies For Laws or Regulations Relating to Fire Prevention Requirements. **THIS EQUIPMENT DOES NOT HAVE A SPARK ARRESTER AND YOU SHOULD CONTACT YOUR AUTHORIZED DEALER FOR THE PURCHASE OF A SPARK ARRESTER.**

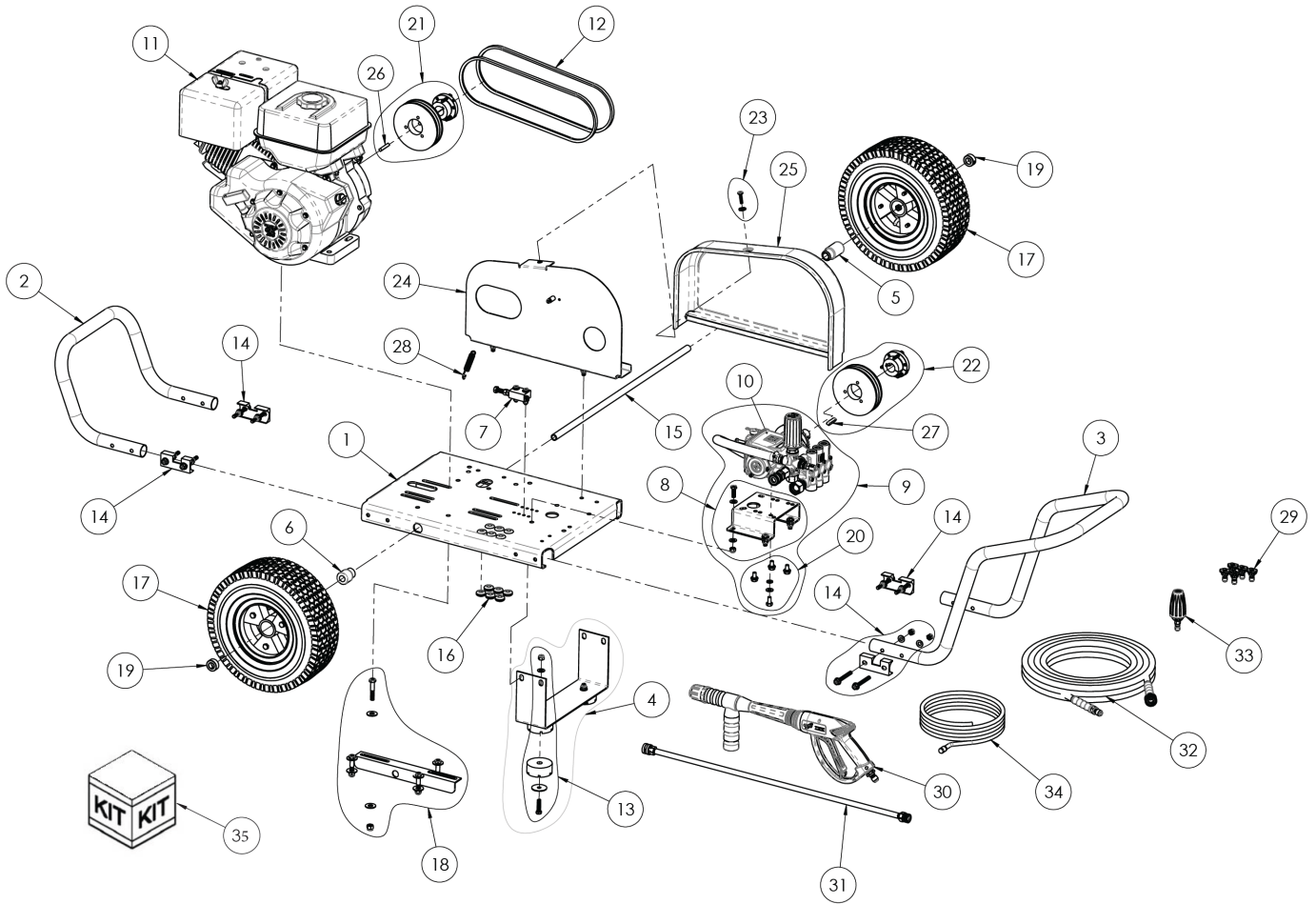
Inspect spark arrester daily; replace every 500 hours or as needed.

The Engine Owner's Manual provides information regarding the U.S. Environmental Protection Agency (EPA) and the California Emission Control Regulation of emission systems, maintenance and warranty.

Keep Engine Owner's Manual with your unit. Should the Engine Owner's Manual become damaged or illegible, replace immediately. Replacements may be ordered per the information found in the Product Information section of the owner's manual.

Federal law and California State law prohibit the following acts or the causing thereof:

1. The removal or rendering inoperative by any person other than for purposes of maintenance, repair, replacement, of any device or element of design incorporated into any equipment for the purposes of emissions control prior to or after its sales or delivery to the ultimate purchaser or while it is in use, or
2. The use of the equipment after such device or element of design has been removed or rendered inoperative by any person.



Item	Part No.	Qty	Name
1	7111862	1	FRAME PLATE KIT
2	7106803	1	HANDLE, FRONT ALUMINUM
3	7106802	1	HANDLE, REAR ALUMINUM
4	7108805	1	FOOT ASSEMBLY KIT, ALUM
5	7108866	1	BUSHING, AXLE 2.5" SHORT
6	7108718	1	BUSHING, AXLE 3.5" LONG
7	7103596	1	ENGINE ADJUSTING BLOCK
8	7111687	1	PUMP HAT
9		1	PUMP KIT, C4X
10	530036	1	PUMP, C4X
11		1	ENGINE, HONDA GX390
12	7101998	2	BELT, 3V X 375
13	7111863	2	FOOT KIT W/ HARDWARE
14	7111684	4	HANDLE MOUNTING KIT
15	7100062	1	AXLE, Ø5/8 x 25.5
16	7100389	6	GROMMETS, 7/16 ID
17	7101405	2	POWER WASHER WHEEL
18	7111685	1	ENGINE MOUNT KIT
19	7101803	2	COLLAR, LOCKING 5/8 I.D.
20	7106243	1	PUMP MOUNTING HARDWARE
21	7111688	1	ENGINE SHAFT PULLEY
22	7111689	1	PUMP SHAFT PULLEY
23	7111693	1	FRONT BELT GARD HARDWARE
24	7111691	1	REAR BELT GUARD
25	7111692	1	FRONT BELT GUARD
26	7105453	1	KEY, SHAFT
27	7109076	1	KEY, PUMP SHAFT
28	7101170	1	SPRING, BELT
29	7101683	1	NOZZLE SET, 4.0
30	7108127	1	GUN, 4500PSI 6.6 GPM
31	7103261	1	LANCE, 31" 1/4"QC-F
32	7103642	1	HOSE, 3/8"x50' x 4500PSI
33	7109529	1	4500PSI TURBO NOZZLE
34	7107109	1	KIT, SOAP HOSE & FILTER
35	7106733	1	KIT, HIGH & LOW PRESSURE
36	7111053	1	HOUR METER

This page intentionally left blank

Item	Part No.	Qty	Name
37	7102045	1	TOOL, NOZZLE CLEANING