

Hustler® Parts Manual



HUSTLER®
TURF EQUIPMENT

200 South Ridge Road

Hesston, Kansas

67062



NOTICE OF REQUIREMENT OF SPARK ARRESTER MUFFLER

This equipment may create sparks that can start fires around dry vegetation. California Public Resources Code Section 4442.6 provides that it is unlawful to use or operate an internal combustion engine on any forest-covered, brush-covered, or grass-covered land unless the engine is equipped with a spark arrester maintained in effective working order. A spark arrester is a device constructed of nonflammable materials specifically for the purpose of removing and retaining carbon and other flammable particles over 0.0232 of an inch in size from the exhaust flow of an internal combustion engine that uses hydrocarbon fuels or which is qualified and rated by the United States Forest Service. Other states or federal areas may have similar laws. The Operator Should Contact Local Fire Agencies For Laws or Regulations Relating to Fire Prevention Requirements. **THIS EQUIPMENT DOES NOT HAVE A SPARK ARRESTER AND YOU SHOULD CONTACT YOUR AUTHORIZED DEALER FOR THE PURCHASE OF A SPARK ARRESTER.**

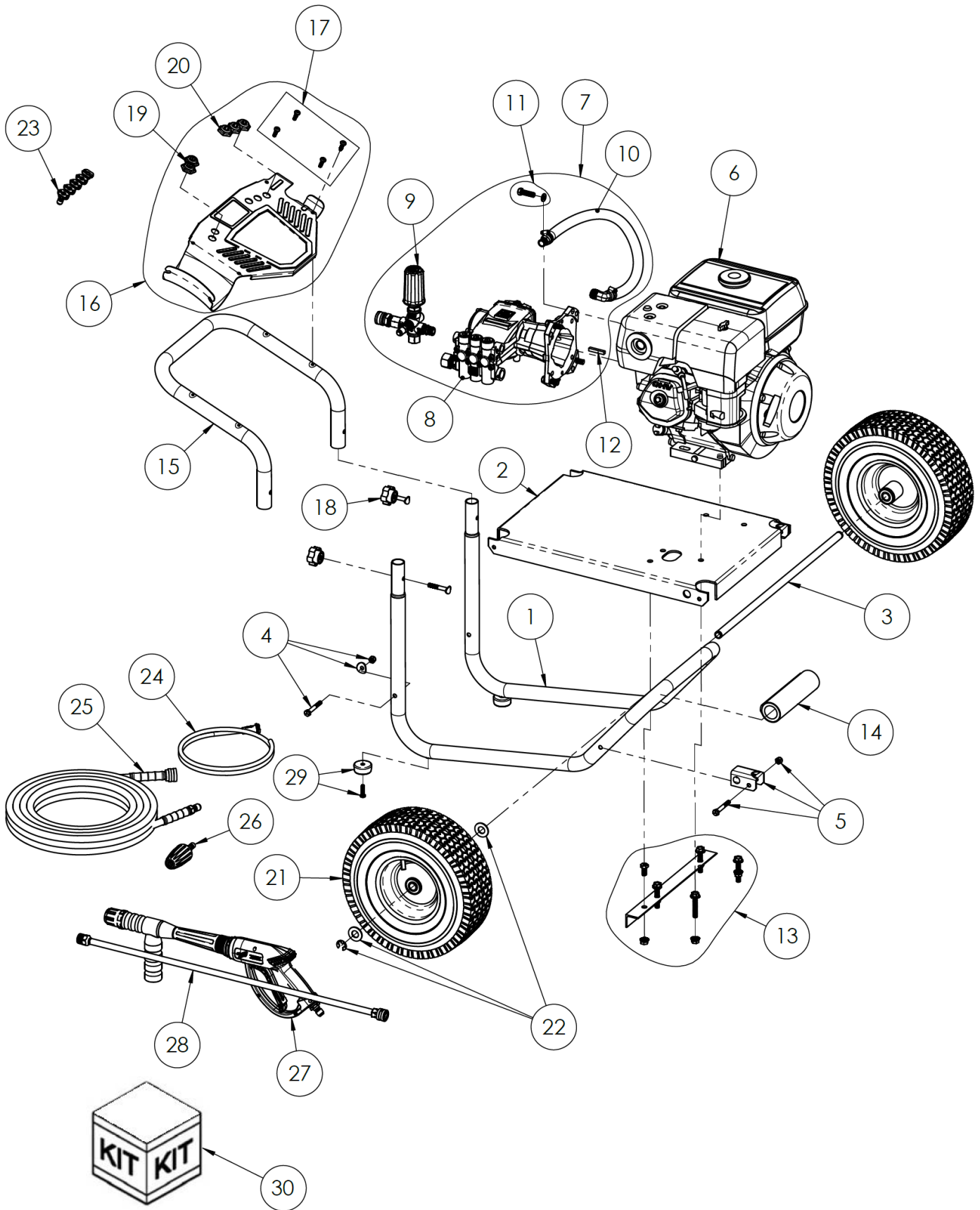
Inspect spark arrester daily; replace every 500 hours or as needed.

The Engine Owner's Manual provides information regarding the U.S. Environmental Protection Agency (EPA) and the California Emission Control Regulation of emission systems, maintenance and warranty.

Keep Engine Owner's Manual with your unit. Should the Engine Owner's Manual become damaged or illegible, replace immediately. Replacements may be ordered per the information found in the Product Information section of the owner's manual.

Federal law and California State law prohibit the following acts or the causing thereof:

1. The removal or rendering inoperative by any person other than for purposes of maintenance, repair, replacement, of any device or element of design incorporated into any equipment for the purposes of emissions control prior to or after its sales or delivery to the ultimate purchaser or while it is in use, or
2. The use of the equipment after such device or element of design has been removed or rendered inoperative by any person.



Item	Part No.	Qty	Name
1	7109038	1	TUBE, BASE FRAME
2	7109040	1	PLATE, 13.25" C-C ALUM
3	7104823	1	AXLE, Ø .625 X 21.91 (13.25" C-C FRAME)
4	7111638	2	FRAME MOUNTING KIT
5	7111639	2	FRAME MOUNTING KIT
6		1	ENGINE, HONDA GX270
7	530027	1	PUMP, C4X
8		1	PUMP KIT W/ UNLOADER & BYPASS, 530027
9	7112016	1	KIT, UNLOADER
10	7112018	1	BYPASS KIT, C4X
11	7103279	1	KIT, PUMP MTING HARDWARE
12	7105453	1	KEY, SHAFT
13	7111642	1	ENG MOUNTING KIT
14	7110432	1	HANDLE GRIP, KIT
15	7107064	1	HANDLE TUBE, AL CORNER
16	7111694	1	DASHBOARD, SERVICE KIT
17	7111658	1	DASHBOARD MOUNTING KIT
18	7107941	2	KNOB-BOLT ASSEMBLY
19	7107067	1	HOLDER, NOZZLE
20	7107068	1	HOLDER, NOZZLE
21	7101416	2	WHEEL ASSEMBLY
22	7111659	2	WHEEL MOUNTING KIT
23	7100634	1	NOZZLE SET 3.5
24	7102207	1	KIT, SVC ASSY SOAP HOSE
25	7103642	1	HOSE, 3/8"x50' x 4500PSI
26	7109529	1	4500PSI TURBO NOZZLE
27	7108127	1	GUN, 4500PSI 6.6 GPM
28	7103261	1	LANCE, 31" 1/4"QC-F
29	7107262	2	FOOT KIT, SERVICE KIT
30	7106733	1	KIT, HIGH & LOW PRESSURE
31	7102045	1	TOOL, NOZZLE CLEANING
32	7111053	1	HOUR METER