

Hustler® Parts Manual



HUSTLER®
TURF EQUIPMENT

200 South Ridge Road

Hesston, Kansas

67062



NOTICE OF REQUIREMENT OF SPARK ARRESTER MUFFLER

This equipment may create sparks that can start fires around dry vegetation. California Public Resources Code Section 4442.6 provides that it is unlawful to use or operate an internal combustion engine on any forest-covered, brush-covered, or grass-covered land unless the engine is equipped with a spark arrester maintained in effective working order. A spark arrester is a device constructed of nonflammable materials specifically for the purpose of removing and retaining carbon and other flammable particles over 0.0232 of an inch in size from the exhaust flow of an internal combustion engine that uses hydrocarbon fuels or which is qualified and rated by the United States Forest Service. Other states or federal areas may have similar laws. The Operator Should Contact Local Fire Agencies For Laws or Regulations Relating to Fire Prevention Requirements. **THIS EQUIPMENT DOES NOT HAVE A SPARK ARRESTER AND YOU SHOULD CONTACT YOUR AUTHORIZED DEALER FOR THE PURCHASE OF A SPARK ARRESTER.**

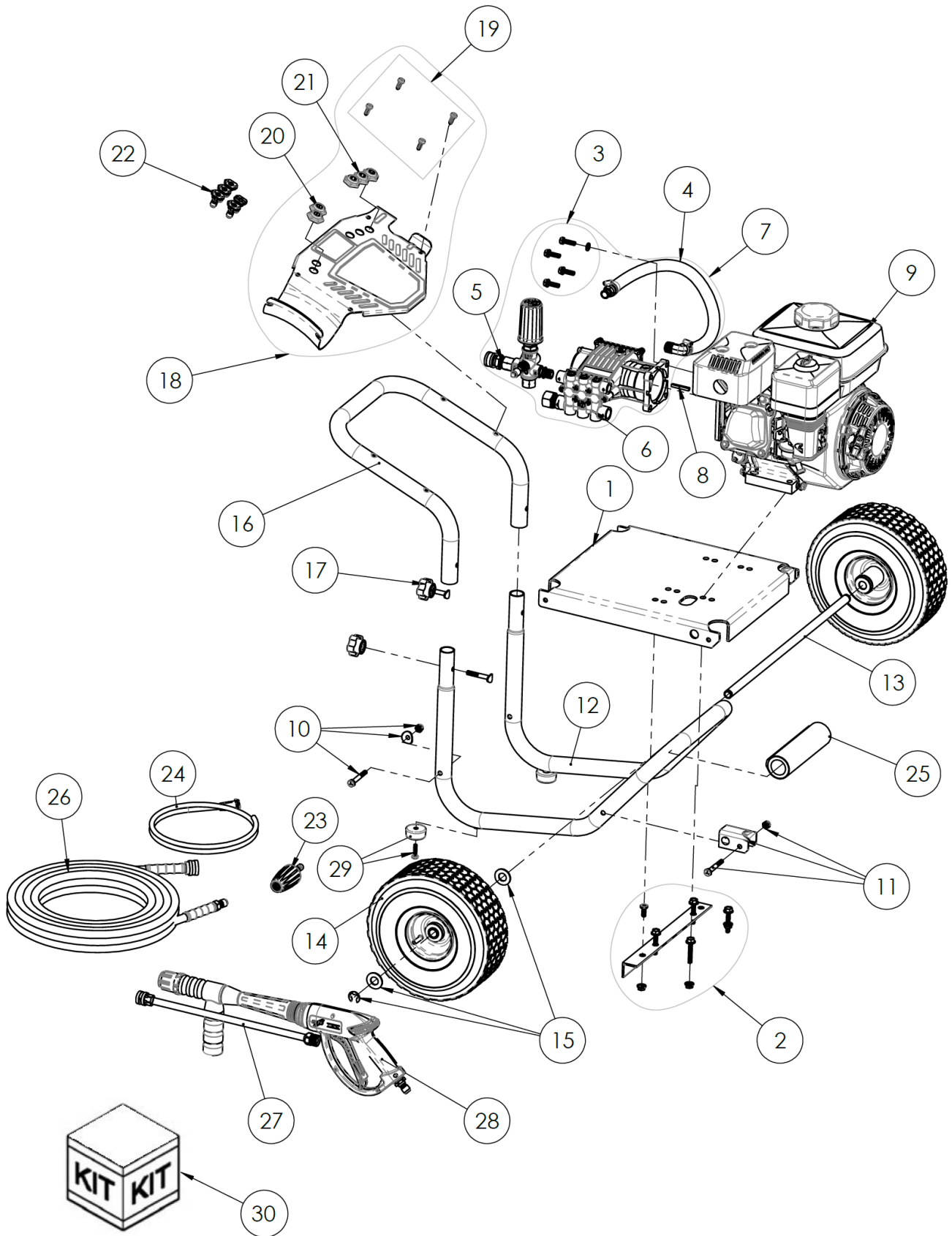
Inspect spark arrester daily; replace every 500 hours or as needed.

The Engine Owner's Manual provides information regarding the U.S. Environmental Protection Agency (EPA) and the California Emission Control Regulation of emission systems, maintenance and warranty.

Keep Engine Owner's Manual with your unit. Should the Engine Owner's Manual become damaged or illegible, replace immediately. Replacements may be ordered per the information found in the Product Information section of the owner's manual.

Federal law and California State law prohibit the following acts or the causing thereof:

1. The removal or rendering inoperative by any person other than for purposes of maintenance, repair, replacement, of any device or element of design incorporated into any equipment for the purposes of emissions control prior to or after its sales or delivery to the ultimate purchaser or while it is in use, or
2. The use of the equipment after such device or element of design has been removed or rendered inoperative by any person.



Item	Part No.	Qty	Name
1	7108589	1	PLATE, 11.75" C-C ALUM
2	7111641	1	ENG MOUNTING KIT
3	7105474	1	HARDWARE KIT
4		1	BYPASS KIT
5	7112016	1	KIT, UNLOADER
6	530028	1	PUMP, C32X
7		1	PUMP KIT W/ UNLOADER & BYPASS, 530028
8	7101506	1	KEY, SHAFT
9		1	ENGINE, HONDA GX200
10	7111638	2	FRAME MOUNTING KIT
11	7111639	2	FRAME MOUNTING KIT
12	7108303	1	TUBE, BASE FRAME
13	7104809	1	AXLE, Ø .625 X 20.10 (11.75" C-C FRAME)
14	7103619	2	POWER WASHER WHEEL
15	7111659	2	WHEEL MOUNTING KIT
16	7107140	1	HANDLE TUBE, ALUMINUM
17	7107941	2	KNOB-BOLT ASSEMBLY
18	7111635	1	DASHBOARD, SERVICE KIT
19	7111658	1	DASHBOARD MOUNTING KIT
20	7107067	1	HOLDER, NOZZLE
21	7107068	1	HOLDER, NOZZLE
22	7102537	1	NOZZLE SET 2.5
23	7109529	1	4500PSI TURBO NOZZLE
24	7102207	1	KIT, SVC ASSY SOAP HOSE
25	7110432	1	HANDLE GRIP, KIT
26	7103642	1	HOSE, 3/8"x50' x 4500PSI
27	7103550	1	LANCE, 16"
28	7108127	1	GUN, 4500PSI 6.6 GPM
29	7107262	2	FOOT KIT, SERVICE KIT
30	7106733	1	KIT, HIGH & LOW PRESSURE
31	7102045	1	TOOL, NOZZLE CLEANING
32	7111053	1	HOUR METER