

Hustler® Parts Manual



HUSTLER®
TURF EQUIPMENT

200 South Ridge Road

Hesston, Kansas

67062



NOTICE OF REQUIREMENT OF SPARK ARRESTER MUFFLER

This equipment may create sparks that can start fires around dry vegetation. California Public Resources Code Section 4442.6 provides that it is unlawful to use or operate an internal combustion engine on any forest-covered, brush-covered, or grass-covered land unless the engine is equipped with a spark arrester maintained in effective working order. A spark arrester is a device constructed of nonflammable materials specifically for the purpose of removing and retaining carbon and other flammable particles over 0.0232 of an inch in size from the exhaust flow of an internal combustion engine that uses hydrocarbon fuels or which is qualified and rated by the United States Forest Service. Other states or federal areas may have similar laws. The Operator Should Contact Local Fire Agencies For Laws or Regulations Relating to Fire Prevention Requirements. **THIS EQUIPMENT DOES NOT HAVE A SPARK ARRESTER AND YOU SHOULD CONTACT YOUR AUTHORIZED DEALER FOR THE PURCHASE OF A SPARK ARRESTER.**

Inspect spark arrester daily; replace every 500 hours or as needed.

The Engine Owner's Manual provides information regarding the U.S. Environmental Protection Agency (EPA) and the California Emission Control Regulation of emission systems, maintenance and warranty.

Keep Engine Owner's Manual with your unit. Should the Engine Owner's Manual become damaged or illegible, replace immediately. Replacements may be ordered per the information found in the Product Information section of the owner's manual.

Federal law and California State law prohibit the following acts or the causing thereof:

1. The removal or rendering inoperative by any person other than for purposes of maintenance, repair, replacement, of any device or element of design incorporated into any equipment for the purposes of emissions control prior to or after its sales or delivery to the ultimate purchaser or while it is in use, or
2. The use of the equipment after such device or element of design has been removed or rendered inoperative by any person.

| | |
|--|-----|
| General Information | 1 |
| Frame, Fenders, Instrument Panel & Engine Guard | |
| Frame | 3-1 |
| Instrument Panel, Fenders, Footrest & Wire Harness | 3-2 |
| Engine & Muffler Guards | 3-3 |
| Battery | 3-4 |
| Transmissions & Steering | |
| Transmissions & Drive Belt | 4-1 |
| Transmission Service Parts | 4-2 |
| Steering & Brake | 4-3 |
| Wheels & Tires | |
| Wheels & Tires | 5-1 |
| Front Wheel Assembly | 5-2 |
| Drive Wheel Assembly | 5-3 |
| Engine & Fuel System | |
| Engine, Muffler, Clutch & Fuel System (Multi-Page) | 6-1 |
| Engine Service Parts | 6-2 |
| Fuel System (Multi-Page) | 6-3 |
| Deck | |
| Service Deck | 7-1 |
| Deck Pulleys & Spindles | 7-2 |
| Spindle Service Parts - 604214 | 7-3 |
| Deck Belt, Discharge Chute, Pulley Covers & Blades | 7-4 |
| Deck Lift & Mounting Hardware (Multi-Page) | 7-5 |
| Seat | |
| Seat | 8-1 |

General Information

Note: When ordering parts, you must use the part number as shown for each part, not the index number. Always give the model and serial number to your parts and service representative.

Note: Items sold in bulk such as seals and hoses are sold by the foot.

Using This Manual

This manual is part of a service package for the Hustler® mowers. Use of this manual in conjunction with other Hustler® mower and component manuals will provide the information necessary to service and maintain Hustler® mowers.

This Parts Manual provides a complete parts listing for the unit. Use this manual when ordering parts. Illustrations used were current at the time of printing, but subsequent production changes may cause your machine to vary slightly in detail. Excel Industries, Inc. reserves the right to redesign and change the machine as deemed necessary, without notification. If a change has been made to your machine which is not reflected in this parts manual, see your authorized dealer for current information and parts.

The Service Manual is a service guide for use by Service Technicians. It provides the necessary information needed to perform normal maintenance requirements on these units.

The Operator's Manual provides fundamental operational information and operational safety that is needed when operating the mower.

The component manuals are furnished by the various manufacturers to be used for the troubleshooting and servicing of their products.

Hardware Description Codes & Abbreviations

The following codes are used throughout this parts manual. Refer to this list when ordering parts.

| ABBREVIATION | DESCRIPTION | ABBREVIATION | DESCRIPTION |
|--------------|---------------|--------------|------------------------|
| CB | CARRIAGE BOLT | MB | MACHINE BUSHING |
| CE | CLEVIS PIN | MS | MACHINE SCREW |
| CN | CLIP NUT | NT | NUT |
| CP | COTTER PIN | SC | SELF TAPPING CAP SCREW |
| CS | CAP SCREW | SH | SOCKET HEAD |
| CW | CUP WASHER | SB | SHOULDER BOLT |
| FDRW | FENDER WASHER | SS | SET SCREW |
| FW | FLAT WASHER | OD | OUTSIDE DIAMETER |
| HX | HEX HEAD | ID | INSIDE DIAMETER |
| LW | LOCK WASHER | WN | WELD NUT |

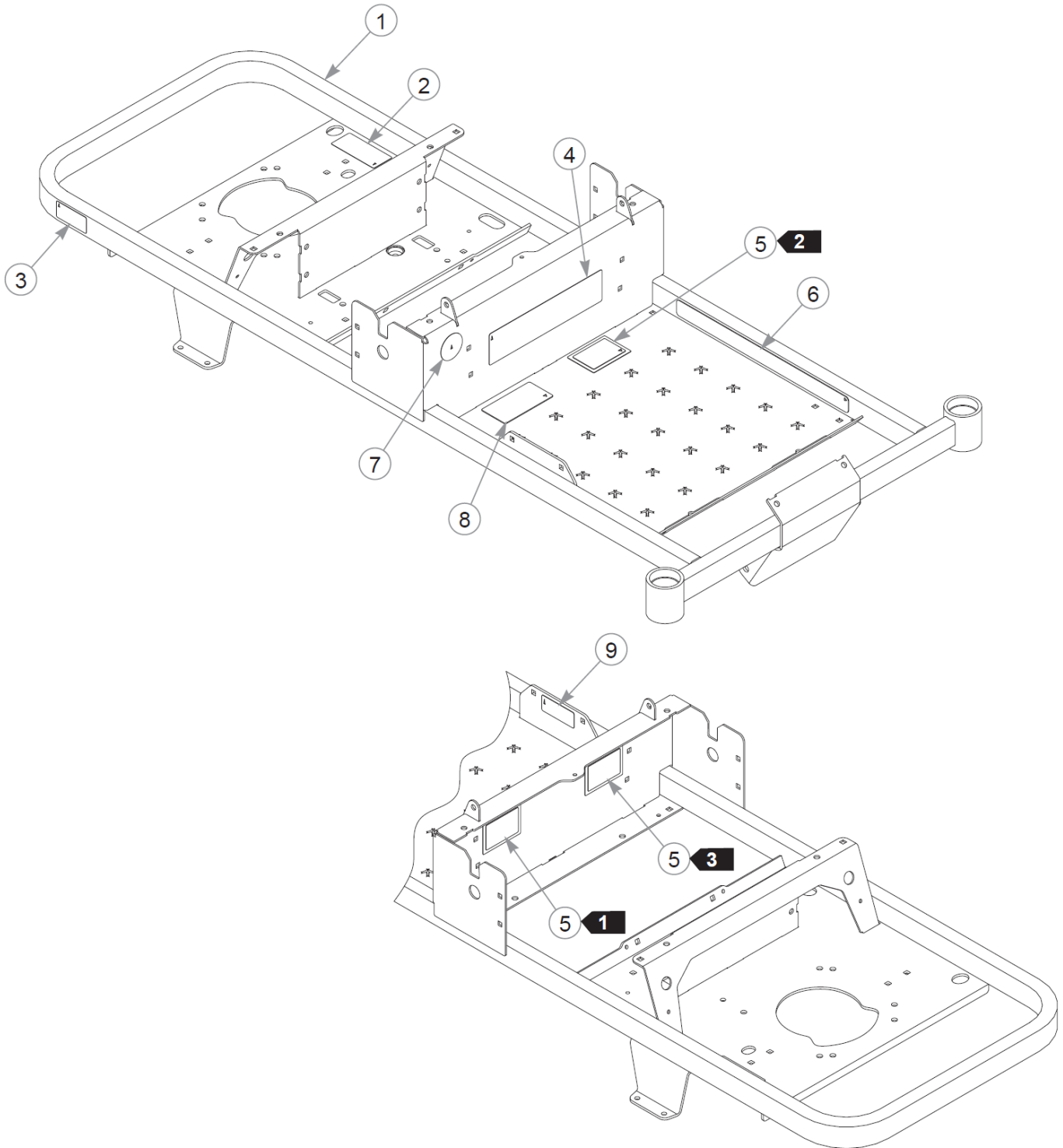
Standard Torques

The following chart lists the standard torque values for the threaded fasteners found in this manual. Torque all cap screws, nuts and set screws to these values unless a different torque is shown in the Notes section next to the fastener.

| SIZE | FT-LBS | N•M | SIZE | FT-LBS | N•M |
|------|--------|------|------|--------|-------|
| .250 | 8.2 | 11.1 | M3 | 1 | 1.3 |
| .312 | 17 | 23 | M4 | 2.2 | 3 |
| .375 | 30 | 40 | M5 | 4.5 | 6.1 |
| .438 | 48 | 65 | M6 | 7.7 | 10.4 |
| .500 | 73 | 99 | M8 | 18.5 | 25 |
| .562 | 105 | 143 | M10 | 37 | 50 |
| .625 | 145 | 200 | M12 | 64 | 87 |
| .750 | 260 | 350 | M14 | 80 | 108.5 |
| .875 | 420 | 565 | M16 | 160 | 215 |
| 1.00 | 625 | 850 | M20 | 320 | 435 |
| | | | M24 | 555 | 750 |

This page intentionally left blank

Frame

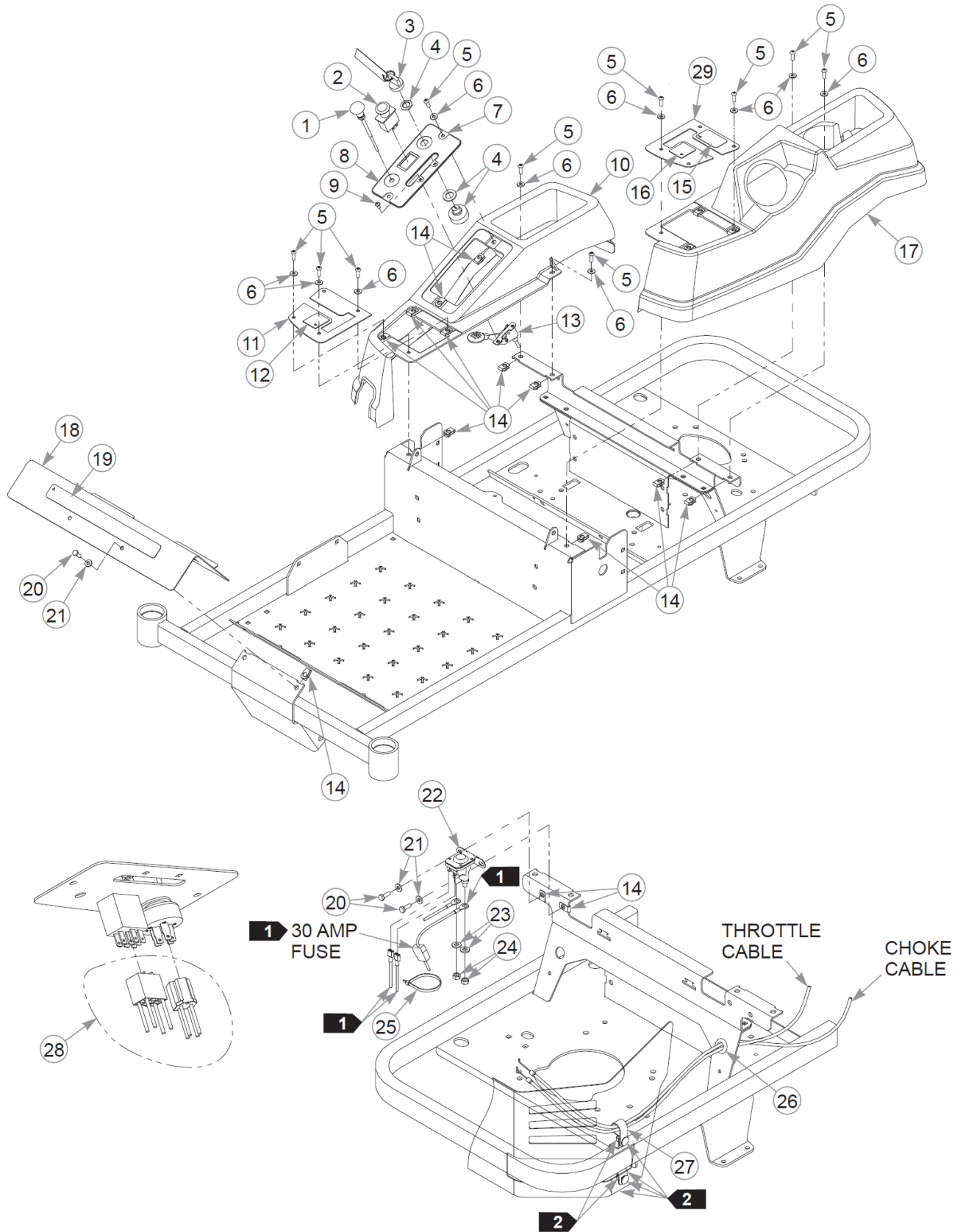


Frame

| Item | Part No. | Qty | Name |
|------|----------|-----|----------------------------|
| 1 | 555894 | 1 | SVC, FRAME |
| 2 | 601967 | 1 | DECAL, ENGINE COMPART |
| 3 | 602041 | 1 | DECAL, HOT |
| 4 | 608090 | 1 | DECAL, DASH XD |
| 5 | N/A | 3 | SERIAL NUMBER / SPEC DECAL |
| 6 | 601981 | 1 | DECAL, SAFE OPERATE-GRAY |
| 7 | 608127 | 1 | DECAL, USA, F&D |
| 8 | 600899 | 1 | DECAL, PUMP BELT WARNING |
| 9 | 608330 | 1 | DECAL, DECK HEIGHT |

Comments for Page: Frame

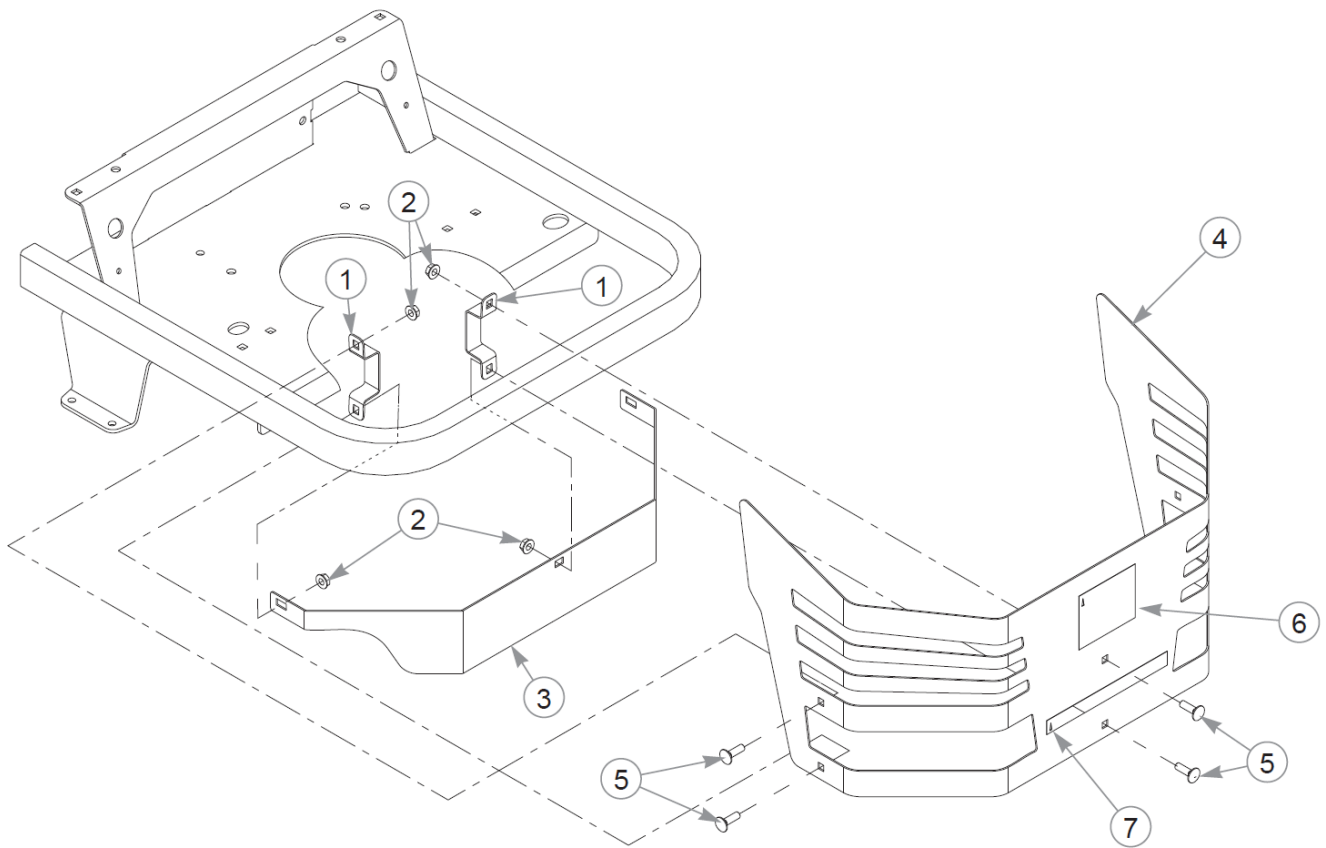
1. Serial number decal. In the event the serial number decal becomes damaged or illegible, please contact your dealer to order a replacement.
2. EPA compliance decal.
3. Patent numbers decal.
4. The frame includes the decals.



| Item | Part No. | Qty | Name |
|------|----------|-----|--------------------------|
| 1 | 608276 | 1 | CABLE ASM - CHOKE |
| 2 | 776476 | 1 | SWITCH, PTO 6201-321 |
| 3 | 785808 | 1 | KEY ASSEMBLY |
| 4 | 045898 | 1 | IGNITION SWITCH |
| 5 | 605473 | 14 | CS .250-20X0.75 BH TX BZ |
| 6 | 605628 | 14 | FW 0.281X.63X.07 ZB |
| 7 | 554826 | 1 | SVC, INST PANEL |
| 8 | 607065 | 1 | DECAL, INSTRUMENT PANEL |
| 9 | 606851 | 2 | CS 10-24X .500 PH SH ZN |
| 10 | 607063 | 1 | FENDER RH |
| 11 | 554827 | 1 | SVC, STEERING PLATE R |
| 12 | 785220 | 1 | DECAL, STEERING R.S. |
| 13 | 608275 | 1 | CABLE ASM - THROTTLE |
| 14 | 601982 | 18 | CN .250-20X .150 MAX THK |
| 15 | 605782 | 1 | DECAL, LEVEL FUEL BLOWM |
| 16 | 785139 | 1 | DECAL, STEERING L.S. |
| 17 | 608195 | 1 | FENDER, LH |
| 18 | 554829 | 1 | SVC, FOOTREST |
| 19 | 602407 | 1 | DECAL, HUSTLER ID |
| 20 | 055939 | 4 | CS .250-20X0.75 HX G5 ZN |
| 21 | 768515 | 4 | FW 0.281SAE |
| 22 | 606445 | 1 | STARTER SOLENOID |
| 23 | 768523 | 2 | FW 0.343SAE |
| 24 | 041152 | 2 | NT 0.312-24 HX G8 |
| 25 | 000331 | 1 | WIRE TIE, SMALL/SHORT |
| 26 | 601400 | 1 | GM .63 x1.13 x.88 x .13 |
| 27 | 043570 | 1 | CLIP - HOSE - SINGLE(FS) |
| 28 | 608239 | 1 | WIRE HARNESS |
| 29 | 555895 | 1 | SVC, STEERING PLATE L |

Comments for Page: Instrument Panel, Fenders, Footrest & Wire Harness

1. Part of the wire harness.
2. Part of the Engine Guard Assembly.
3. The instrument panel, footrest and steering plates include the decals.

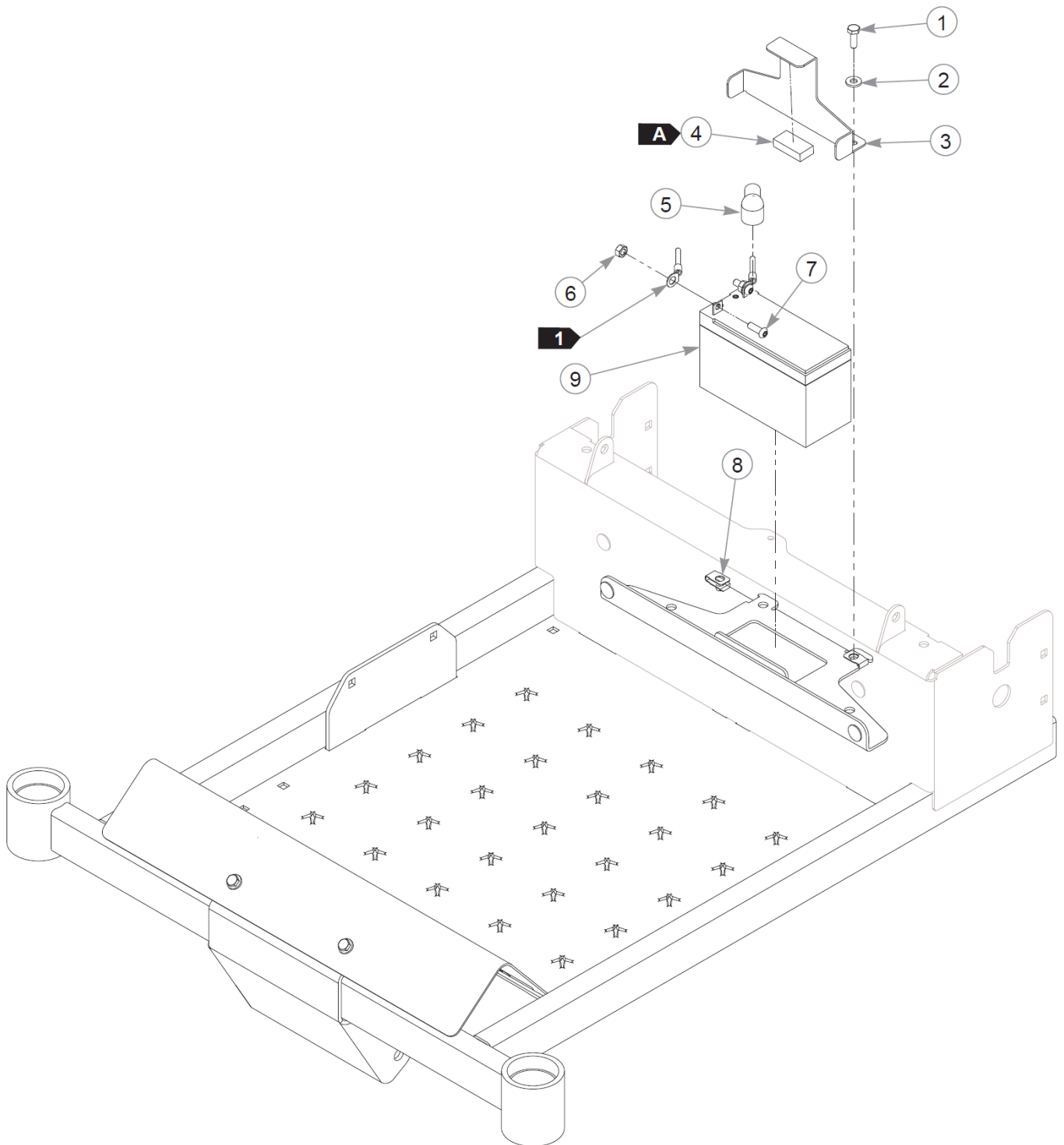


Engine & Muffler Guards

| Item | Part No. | Qty | Name |
|------|----------|-----|--------------------------|
| 1 | 126971-6 | 3 | ENGINE GUARD STRAP |
| 2 | 016832 | 6 | NT .312-18FLKG5 |
| 3 | 127419-6 | 1 | GUARD - MUFFLER |
| 4 | 555896 | 1 | SVC, ENGINE GUARD |
| 5 | 037887 | 6 | CB .312-18X 1.000 FUL ZN |
| 6 | 608311 | 1 | DECAL, H |
| 7 | 608312 | 1 | DECAL, HUSTLER |

Comments for Page: Engine & Muffler Guards

1. The engine guard includes the decals.

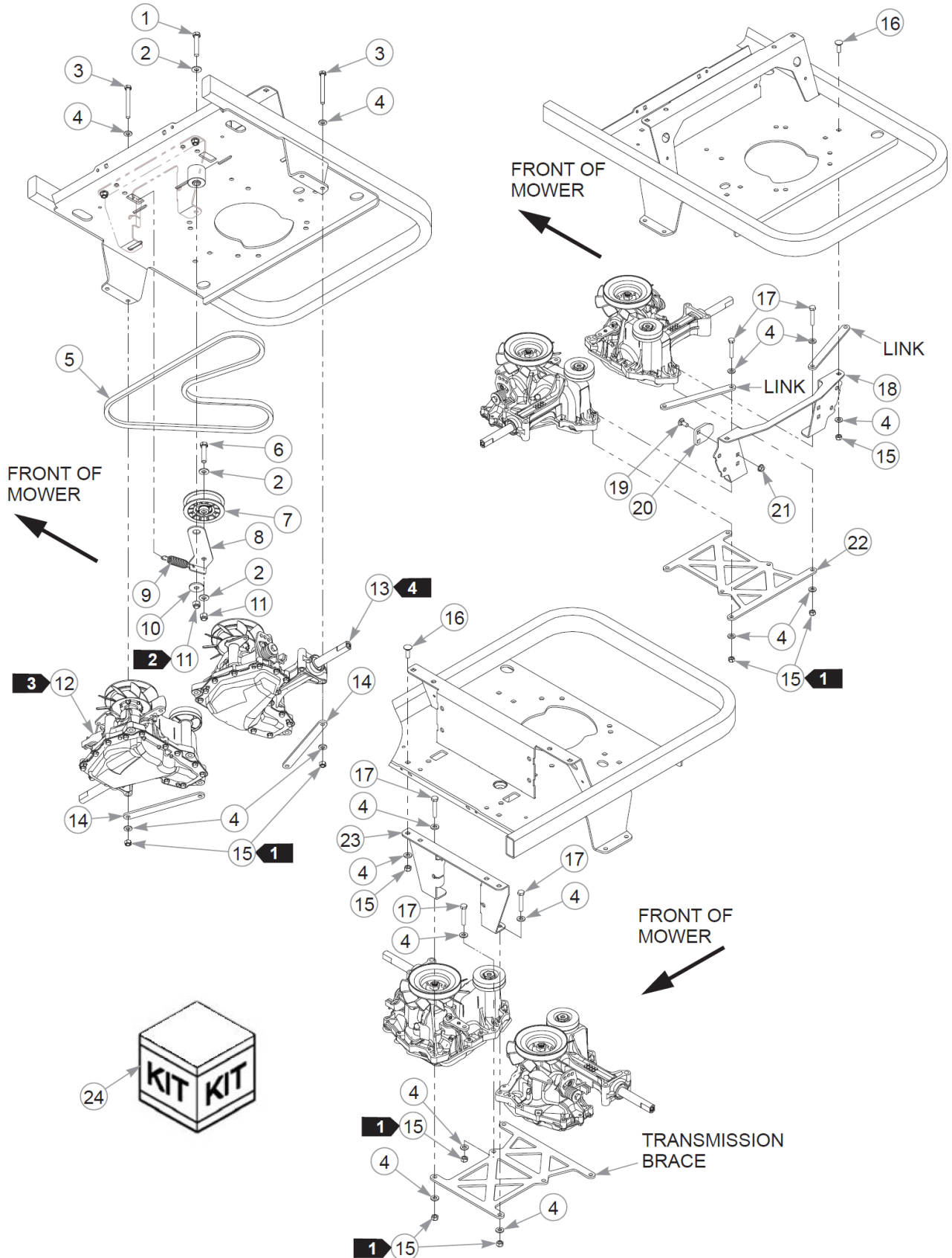


Battery

| Item | Part No. | Qty | Name |
|------|----------|------|--------------------------|
| 1 | 055939 | 2 | CS .250-20X0.75 HX G5 ZN |
| 2 | 768515 | 2 | FW 0.281SAE |
| 3 | 608018-3 | 1 | BATTERY HOLD DOWN |
| 4 | 713198 | 1.5" | SEAL 3/8x3/4 SOLD BY FT |
| 5 | 601319 | 1 | POS. BATTERY CABLE BOOT |
| 6 | 024927 | 2 | NT .250-20HXG5 |
| 7 | 605473 | 2 | CS .250-20X0.75 BH TX BZ |
| 8 | 601982 | 2 | CN .250-20X .150 MAX THK |
| 9 | 607723 | 1 | BATTERY, AGM 12V 9AMH |

Comments for Page: Battery

1. When performing service on the mower, disconnect the negative battery cable (black) and do not reconnect it to the battery until ready to start the engine.

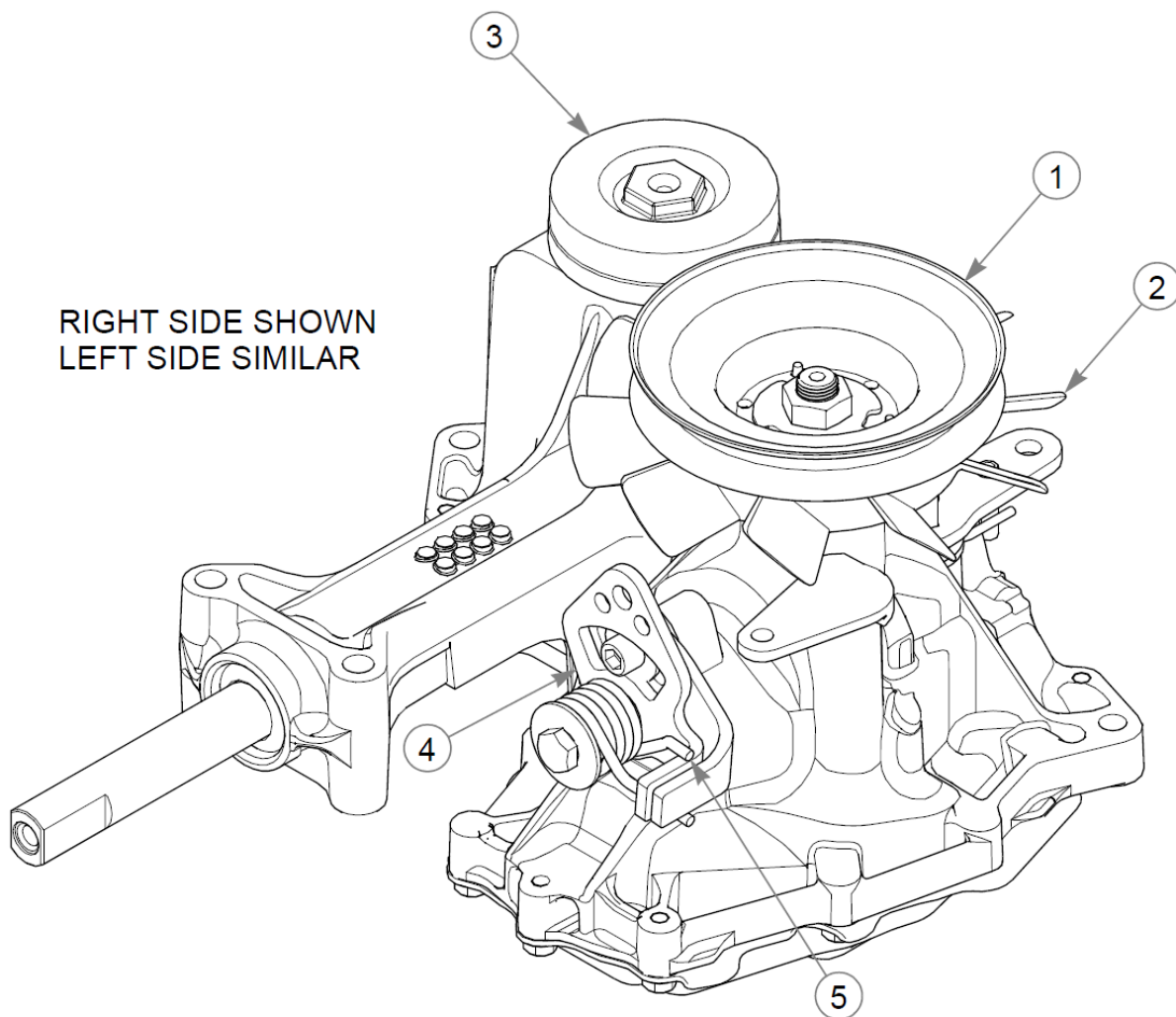


Transmissions & Drive Belt

| Item | Part No. | Qty | Name |
|------|----------|-----|--------------------------|
| 1 | 016410 | 1 | CS .375-16X2.000HXG5 |
| 2 | 767954 | 3 | FW 0.379X.82X.06 HD ZN |
| 3 | 043067 | 4 | CS .312-18X3.000HXG5 |
| 4 | 768523 | 24 | FW 0.343SAE |
| 5 | 606997 | 1 | DRIVE BELT |
| 6 | 705160 | 1 | CS .375-16X1.625HXG5 |
| 7 | 607163 | 1 | PULLEY, 3" FLAT POLY |
| 8 | 124545-4 | 1 | TENSIONER ARM |
| 9 | 607201 | 1 | SPRING, EXTENSION |
| 10 | 712893 | 1 | FW 0.406X1.25X.12 HD ZN |
| 11 | 086660 | 2 | NT .375-16NLG8 |
| 12 | 606994 | 1 | TRANSMISSION, ZT1800 |
| 13 | 606995 | 1 | TRANSMISSION, ZT1800 |
| 14 | 125017-1 | 2 | LINK |
| 15 | 058776 | 14 | NT .312-18NLG5 |
| 16 | 037887 | 4 | CB .312-18X 1.000 FUL ZN |
| 17 | 050161 | 6 | CS .312-18X1.750HXG5 |
| 18 | 126968-1 | 1 | TRANSMISSION BRACE |
| 19 | 016253 | 2 | CB .312-18X .750 FUL ZN |
| 20 | 127080-1 | 1 | ANCHOR - CLUTCH |
| 21 | 016832 | 2 | NT .312-18FLKG5 |
| 22 | 126969-1 | 1 | TRANSMISSION BRACE |
| 23 | 126967-1 | 1 | TRANSMISSION BRACE |
| 24 | 608515 | 1 | KIT - SEAL, ZT1800 |

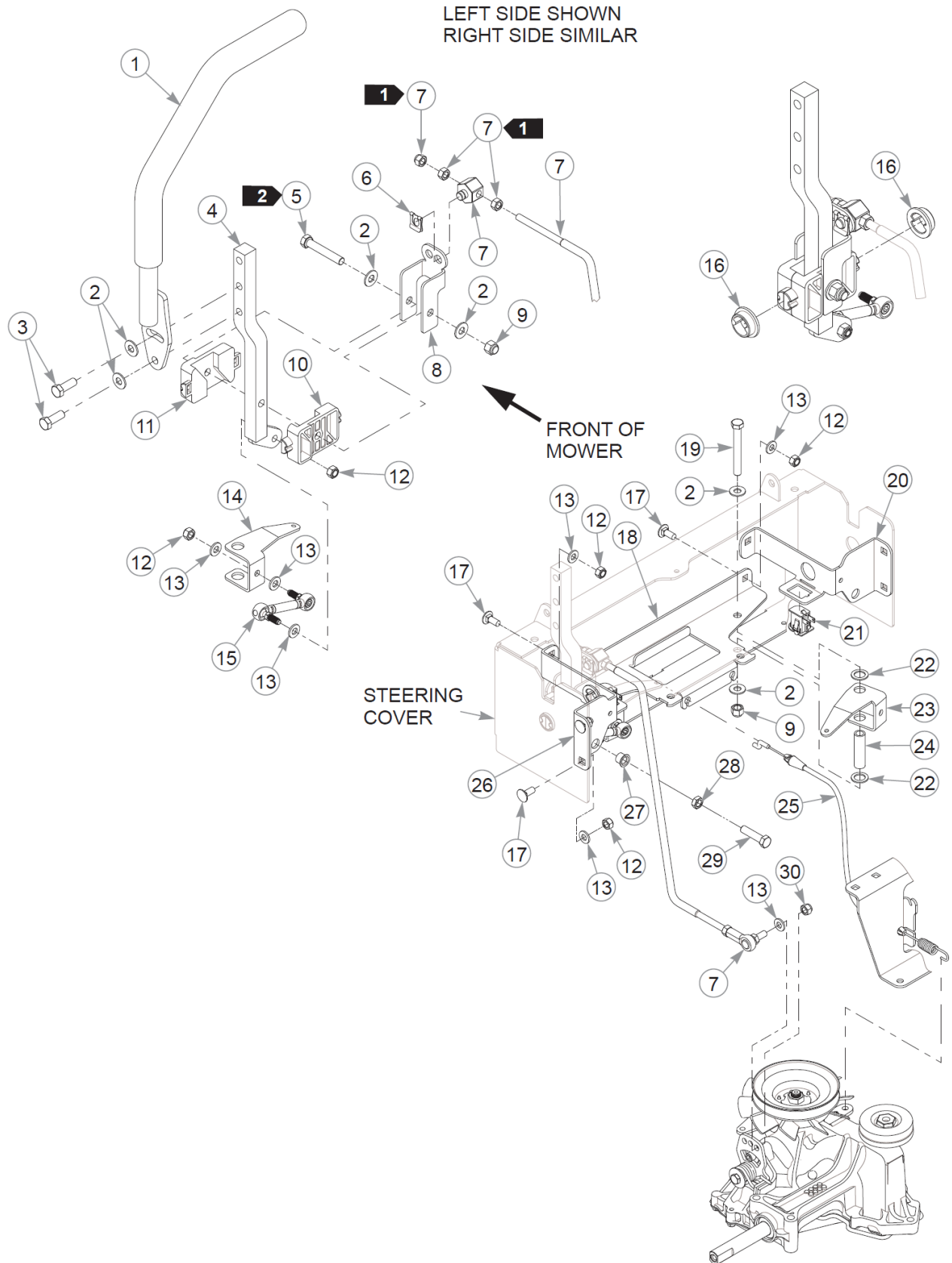
Comments for Page: Transmissions & Drive Belt

1. Torque to 17 ft-lbs.
2. Tighten the nut, but make sure the tensioner arm still pivots freely.
3. Right side transmission.
4. Left side transmission.



Transmission Service Parts

| Item | Part No. | Qty | Name |
|------|----------|-----|-----------------------|
| 1 | 607128 | 1 | KIT, FAN PULLEY |
| 2 | 607727 | 1 | FAN - 7.0" (10 BLADE) |
| 3 | 607131 | 1 | BREATHER ASSY |
| 4 | 607129 | 1 | KIT, RTN |
| 5 | 607130 | 1 | RTN SPRING |



Steering & Brake

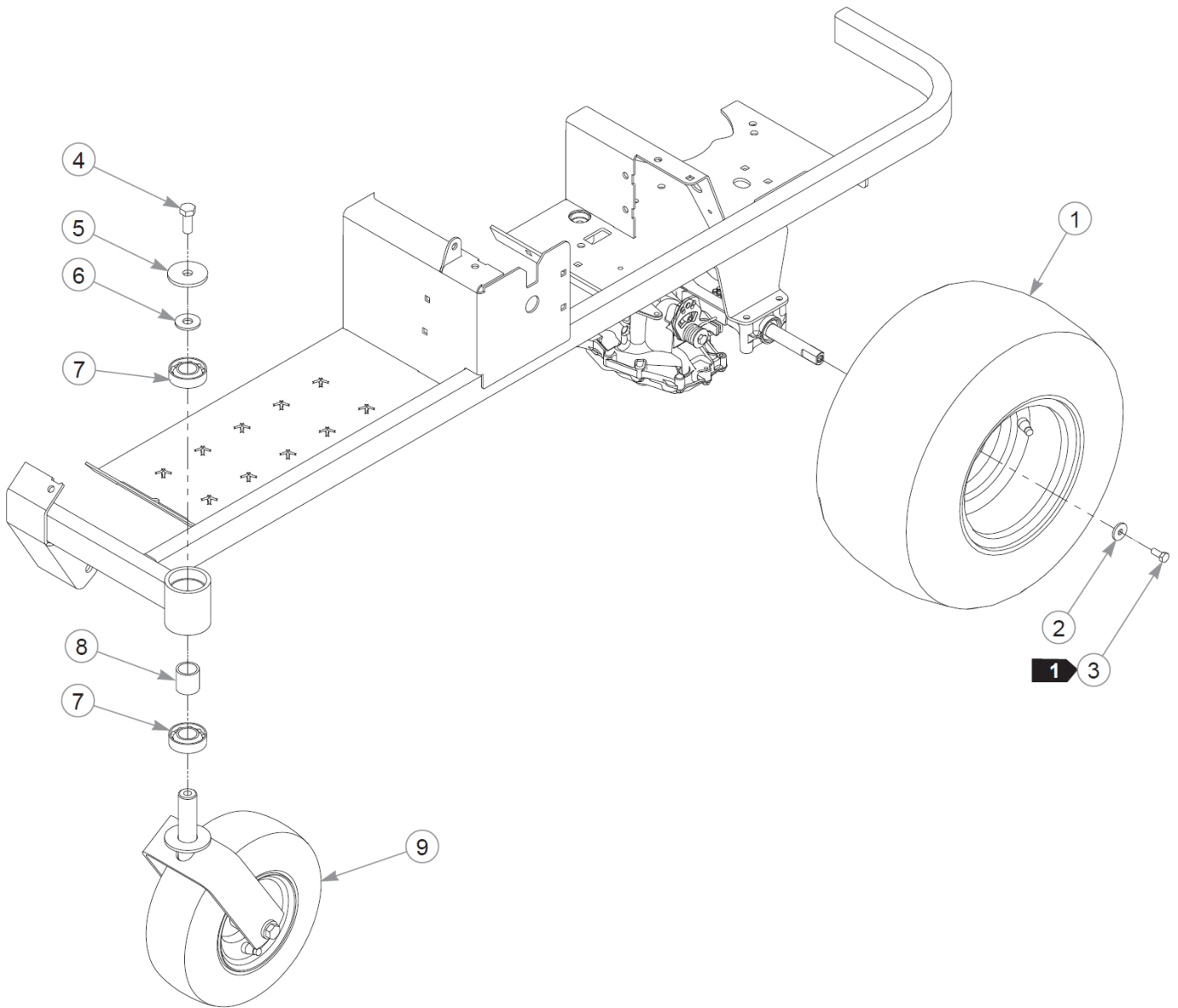
| Item | Part No. | Qty | Name |
|-----------|----------|-----|--------------------------|
| 1 | 607069 | 2 | STEERING BAR W/A |
| Not Shown | 781260 | 2 | GRIP, STEERING BAR |
| 2 | 767954 | 12 | FW 0.379X.82X.06 HD ZN |
| 3 | 036244 | 4 | CS .375-16X1.00 HX G5 ZN |
| 4 | 607073-4 | 2 | STEERING LEVER W/A |
| 5 | 056036 | 2 | CS .375-16X2.250HXG5 |
| 6 | 606575 | 2 | CLIP, SAFETY |
| 7 | 607686 | 2 | STEERING ROD S/A |
| 8 | 124628-3 | 2 | STEERING LINK |
| 9 | 086660 | 4 | NT .375-16NLG8 |
| 10 | 607077 | 2 | STEERING BLOCK A |
| 11 | 607076 | 2 | STEERING BLOCK B |
| 12 | 058776 | 12 | NT .312-18NLG5 |
| 13 | 768523 | 16 | FW 0.343SAE |
| 14 | 125240-3 | 1 | BRAKE LINK LH |
| 15 | 604179 | 2 | BRAKE LINK |
| 16 | 607078 | 4 | STEERING BUSHING |
| 17 | 016253 | 8 | CB .312-18X .750 FUL ZN |
| 18 | 126353-1 | 1 | BRAKE CABLE BRACKET |
| 19 | 016444 | 2 | CS .375-16X3.000HXG5 |
| 20 | 554831 | 1 | SVC, STEERING BRACKET R |
| 21 | 793315 | 2 | SWITCH, SNAP MOUNT |
| 22 | 608017 | 4 | FW .580X.875X.06 NYLON |
| 23 | 125241-3 | 1 | BRAKE LINK RH |
| 24 | 608016 | 2 | SPACER, BRAKE BRACKET |
| 25 | 607359 | 2 | BRAKE CABLE |
| 26 | 554832 | 1 | SVC, STEERING BRACKET L |
| 27 | 808493 | 2 | RIVET NUT, 3/8-16 THREA |
| 28 | 706168 | 2 | NT .375-16JAMG5 |
| 29 | 604365 | 2 | CS .375-12X1.50 HX G5 ZN |
| 30 | 023655 | 2 | NT 0.312-24 NL G8 |

Comments for Page: Steering & Brake

1. Torque to 14 ft-lbs.
2. Torque to 11 ft-lbs and loosen 45 degrees.

3. The steering brackets include the rivet nuts.

This page intentionally left blank

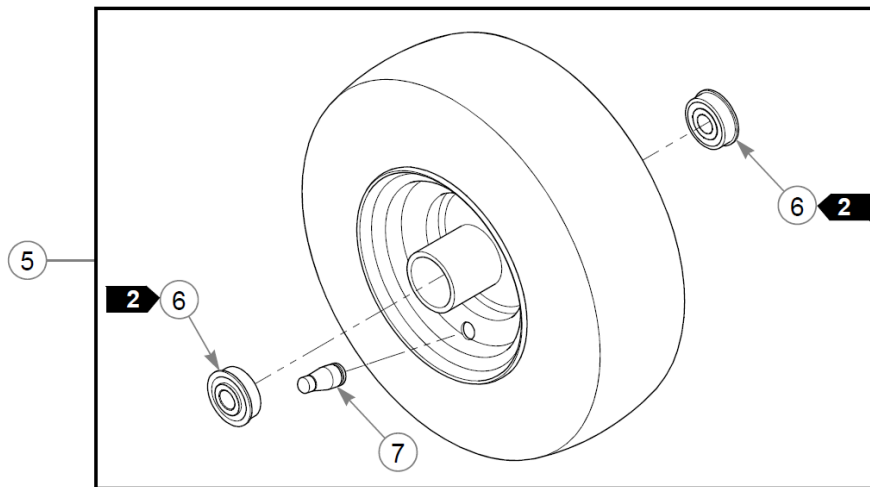
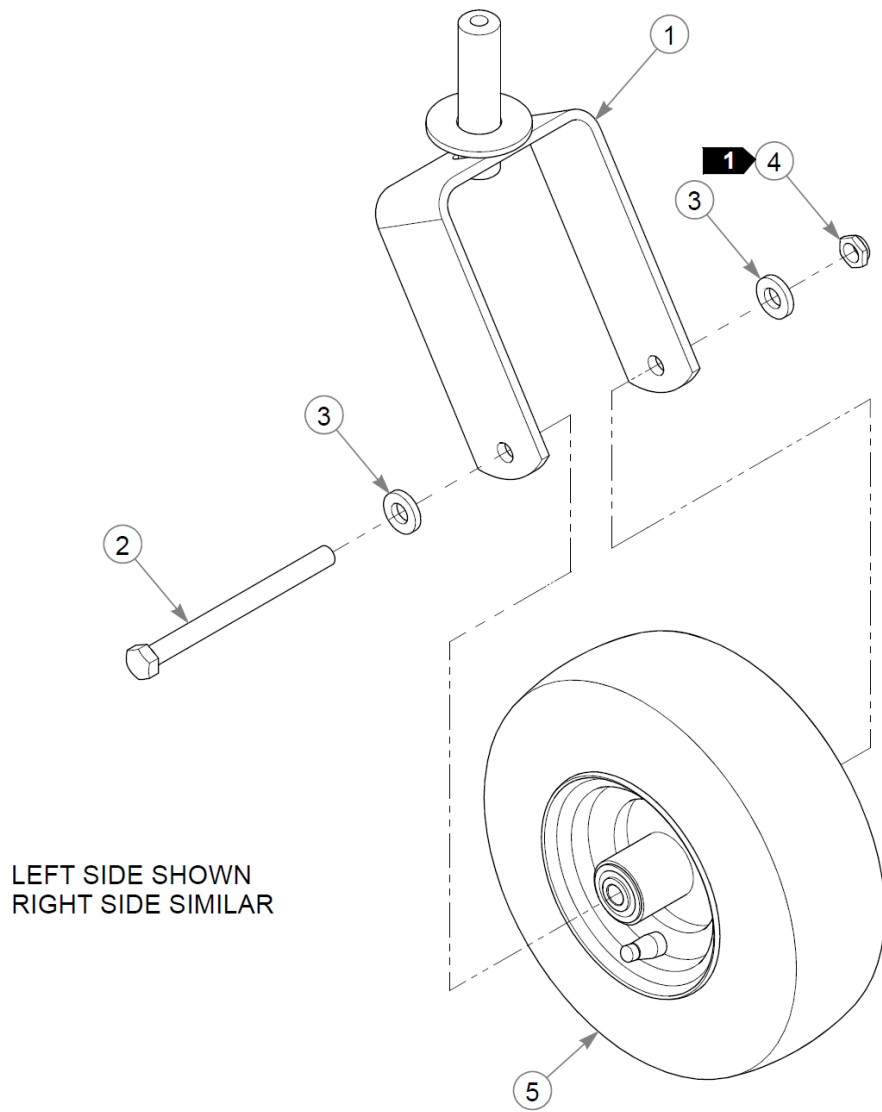


Wheels & Tires

| Item | Part No. | Qty | Name |
|------|----------|-----|---------------------------------|
| 1 | 607807 | 2 | TIR/WHL 18X8.50-8 BLK |
| 2 | 712927 | 2 | FW 0.344X1.00X.12 HD ZN |
| 3 | 606989 | 2 | CS .312-24 X .750 HX G5 |
| 4 | 705954 | 2 | CS .500-13X1.25 HX G5 ZN |
| 5 | 344267 | 2 | FW .510X2.15X.19 ZN |
| 6 | 712976 | 2 | FW 0.531X1.38X.12 ZN |
| 7 | 784223 | 4 | BEARING |
| 8 | 784603 | 2 | SPACER |
| 9 | N/A | 2 | REFER TO "FRONT WHEEL ASSEMBLY" |

Comments for Page: Wheels & Tires

1. Torque to 17 ft-lbs.



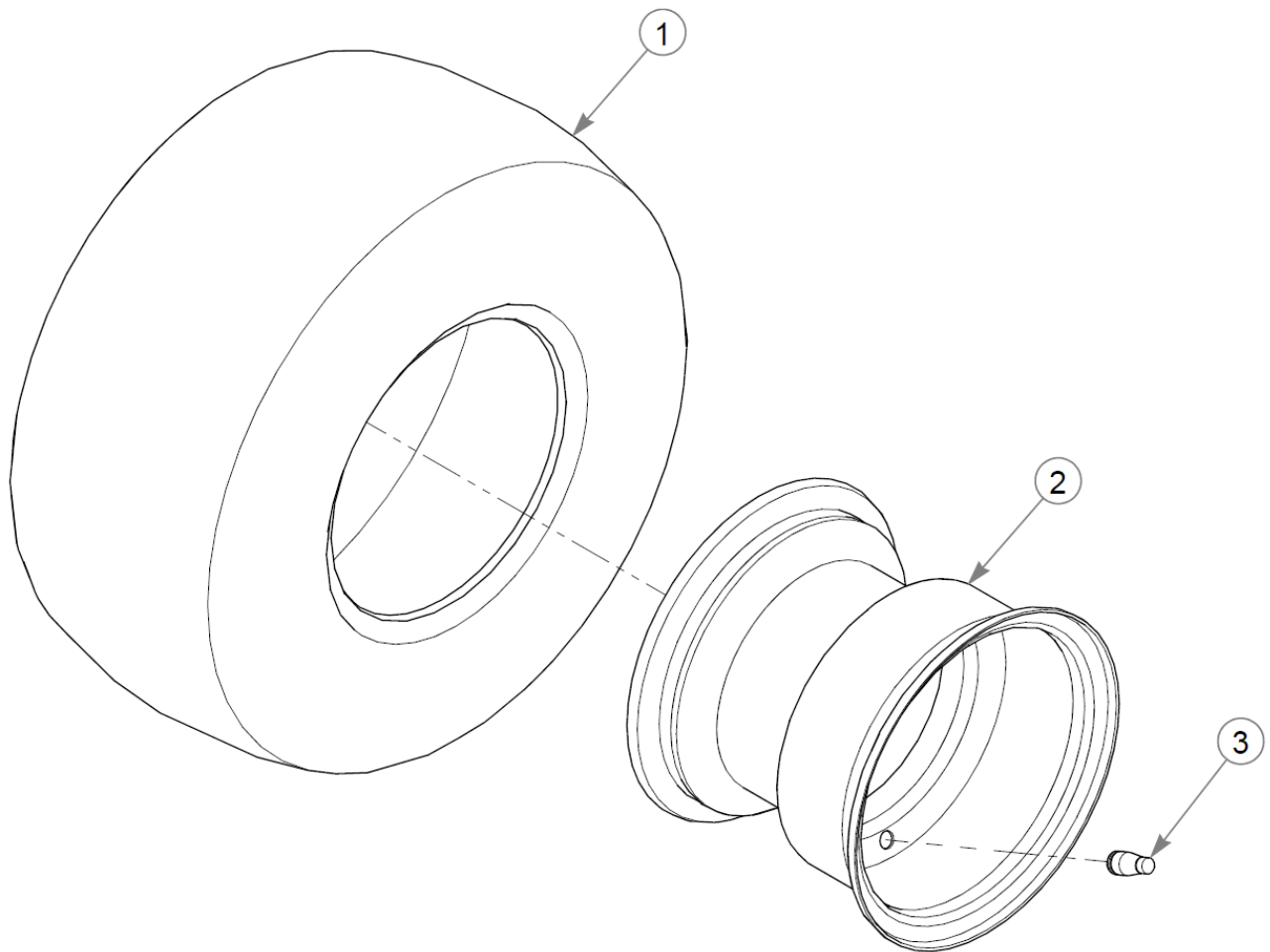
Front Wheel Assembly

| Item | Part No. | Qty | Name |
|------|----------|-----|--------------------------|
| 1 | 110116 | 1 | CASTER FORK W/A |
| 2 | 604718 | 1 | CS .500-13X6.00 HX G5 ZN |
| 3 | 767962 | 2 | FW .531 x 1.063 x .175 |
| 4 | 707398 | 1 | NT .500-13 JAM NY LK |
| 5 | 607297 | 1 | TIR/WHL 11X4.00-5 BLK |
| 6 | 607026 | 2 | BEARING, BALL SEALED |
| 7 | 019521 | 1 | TIRE VALVE TR-412 GOODY |

Comments for Page: Front Wheel Assembly

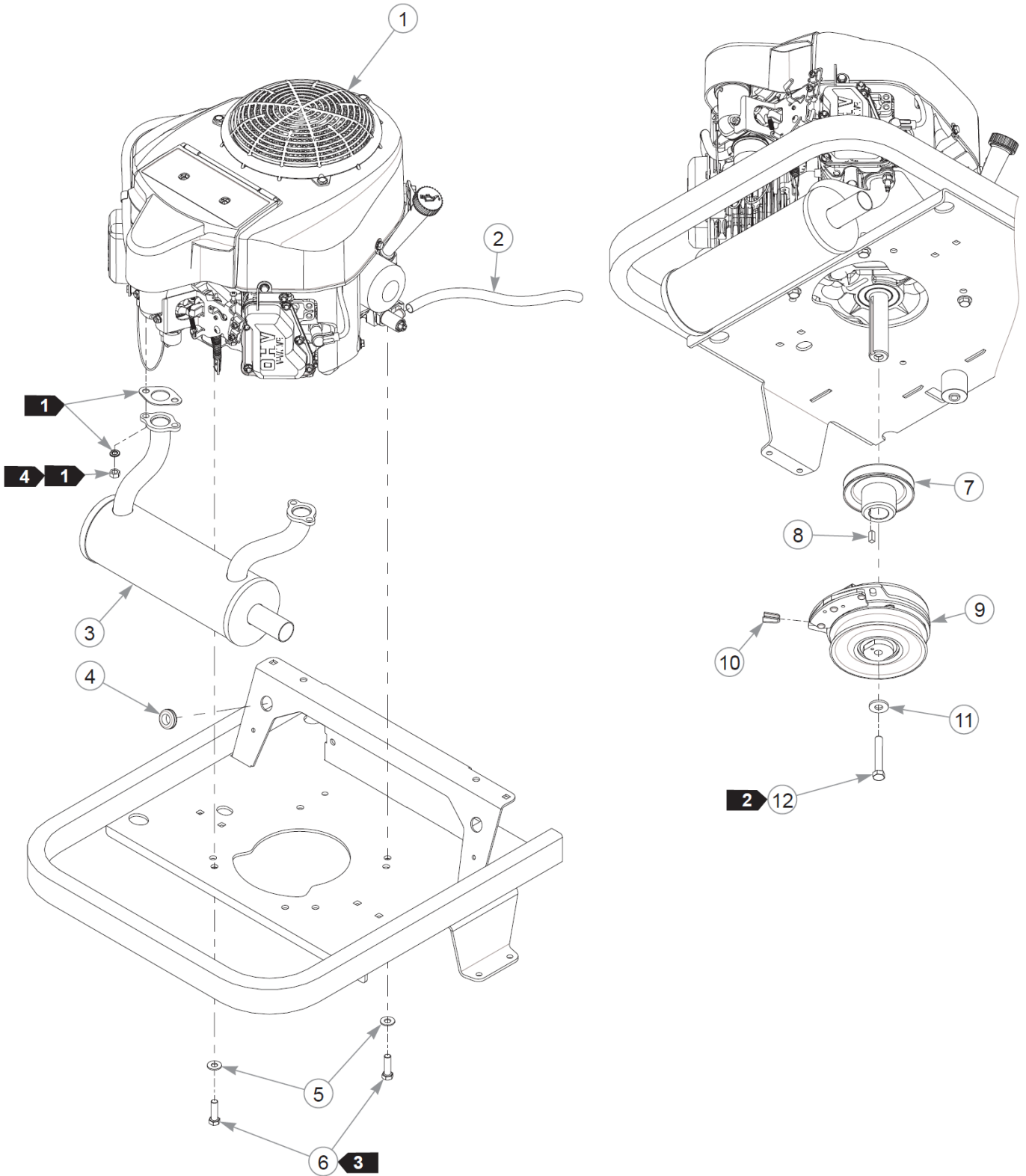
1. Tighten, then back off the nut until the wheel spins freely.
2. Refer to the General Service Manual for wheel bearing service procedures.

The wheel assembly (607297) includes items 6 & 7.

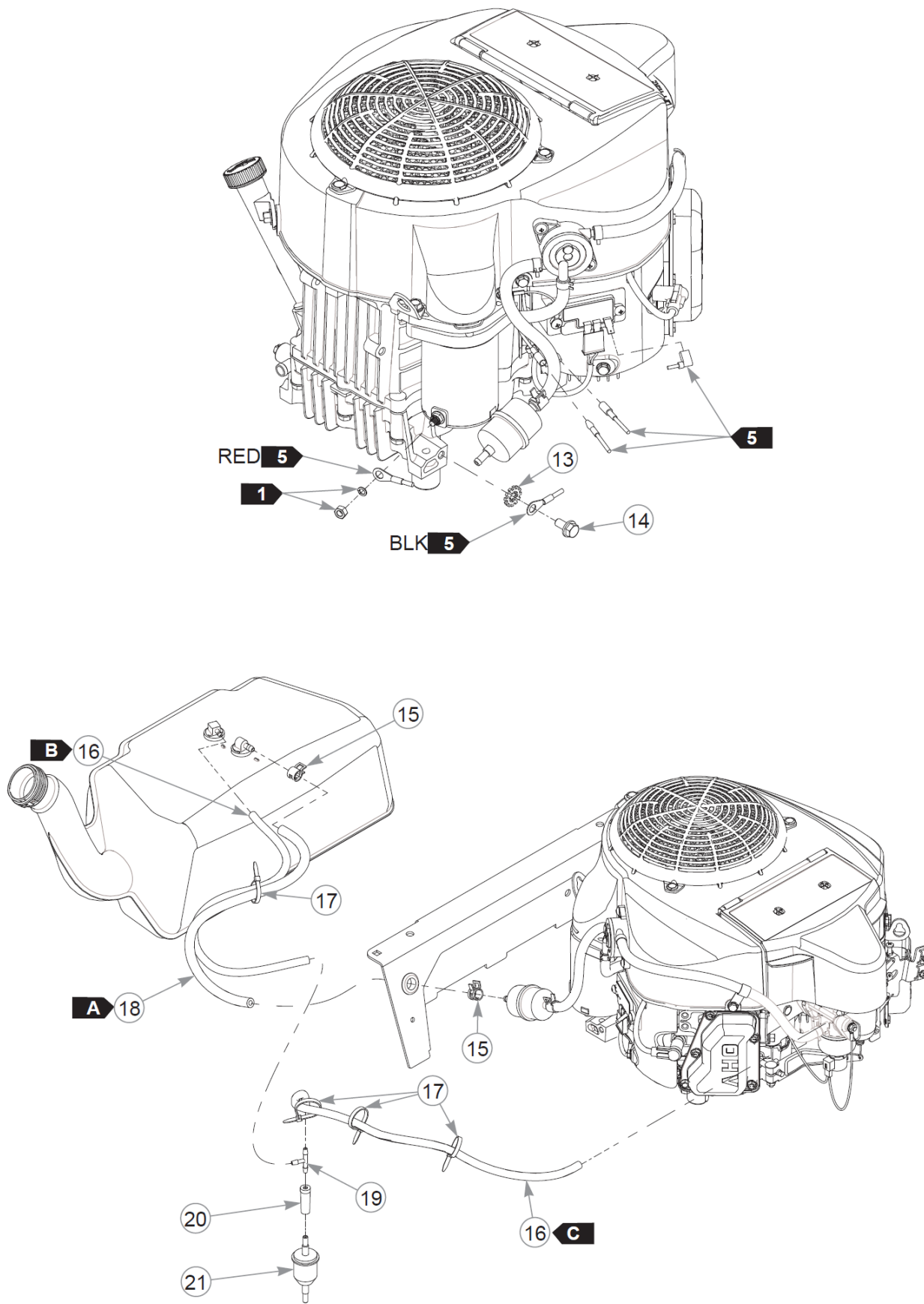


Drive Wheel Assembly

| Item | Part No. | Qty | Name |
|------|----------|-----|-------------------------|
| 1 | 607795 | 1 | TIR 18X8.50-8 B2R BGBT |
| 2 | 607844 | 1 | WHL 8X7.00 0X0.0 BLK |
| 3 | 019521 | 1 | TIRE VALVE TR-412 GOODY |



This page intentionally left blank



| Item | Part No. | Qty | Name |
|-------------------------------|----------|-----|--------------------------|
| 1 | | 1 | ENGINE, KAW FR541V |
| 2 | 604463 | 12" | HOSE, OIL DRAIN |
| 3 | 607853 | 1 | MUFFLER |
| 4 | 601400 | 1 | GM .63 x1.13 x.88 x .13 |
| 5 | 767954 | 4 | FW 0.379X.82X.06 HD ZN |
| 6 | 602580 | 4 | CS .375-16X1.25HXG8ZYP85 |
| 7 | 608015 | 1 | PULLEY - ENGINE |
| 8 | 712372 | 1 | KEY 1/4 SQ X 0.66 LG(FS) |
| 9 | 605827K | 1 | CLUTCH KIT |
| 10 | 605595 | 1 | BUSHING, CLUTCH |
| 11 | 602680 | 1 | FW .453X1.12X.12 HRD ZN |
| 12 | 785659 | 1 | CS .437-20X2.50 HXG5 P85 |
| 13 | 029876 | 1 | LW .312 INTEXT ZN |
| 14 | 720516 | 1 | CS M8-1.25X16HX FL10.9 |
| 15 | 000323 | 2 | CLIP, HOSE CLAMP |
| 16 | 603326 | 45" | VAPOR LINE, 3/16" |
| Comments for Part Num. 603326 | | | |
| Sold by the foot. | | | |
| 17 | 000331 | 4 | WIRE TIE, SMALL/SHORT |
| 18 | 015818 | 18" | FUEL LINE, 1/4" |
| Comments for Part Num. 015818 | | | |
| Sold by the foot. | | | |
| 19 | 604281 | 1 | TEE, 3/16" PLASTIC |
| 20 | 604292 | 1 | BOOT, 3/16" TO 1/4" BARB |
| 21 | 604323 | 1 | VAPOR SYSTEM FILTER |

Comments for Page: Engine, Muffler, Clutch & Fuel System (Multi-Page)

1. Supplied with the engine.
2. Torque to 45–48 ft-lbs. Replace (do not reuse) the cap screw if it is removed or loosened. Use only hand tools to install this fastener.
3. Torque to 30–35 ft-lbs. Replace (do not reuse) the cap screw if it is removed or loosened. Use only hand tools to install this fastener.
4. Torque to 17 ft-lbs.
5. Part of the wire harness.

FUEL & VAPOR LINE LENGTHS

Engine, Muffler, Clutch & Fuel System (Multi-Page)

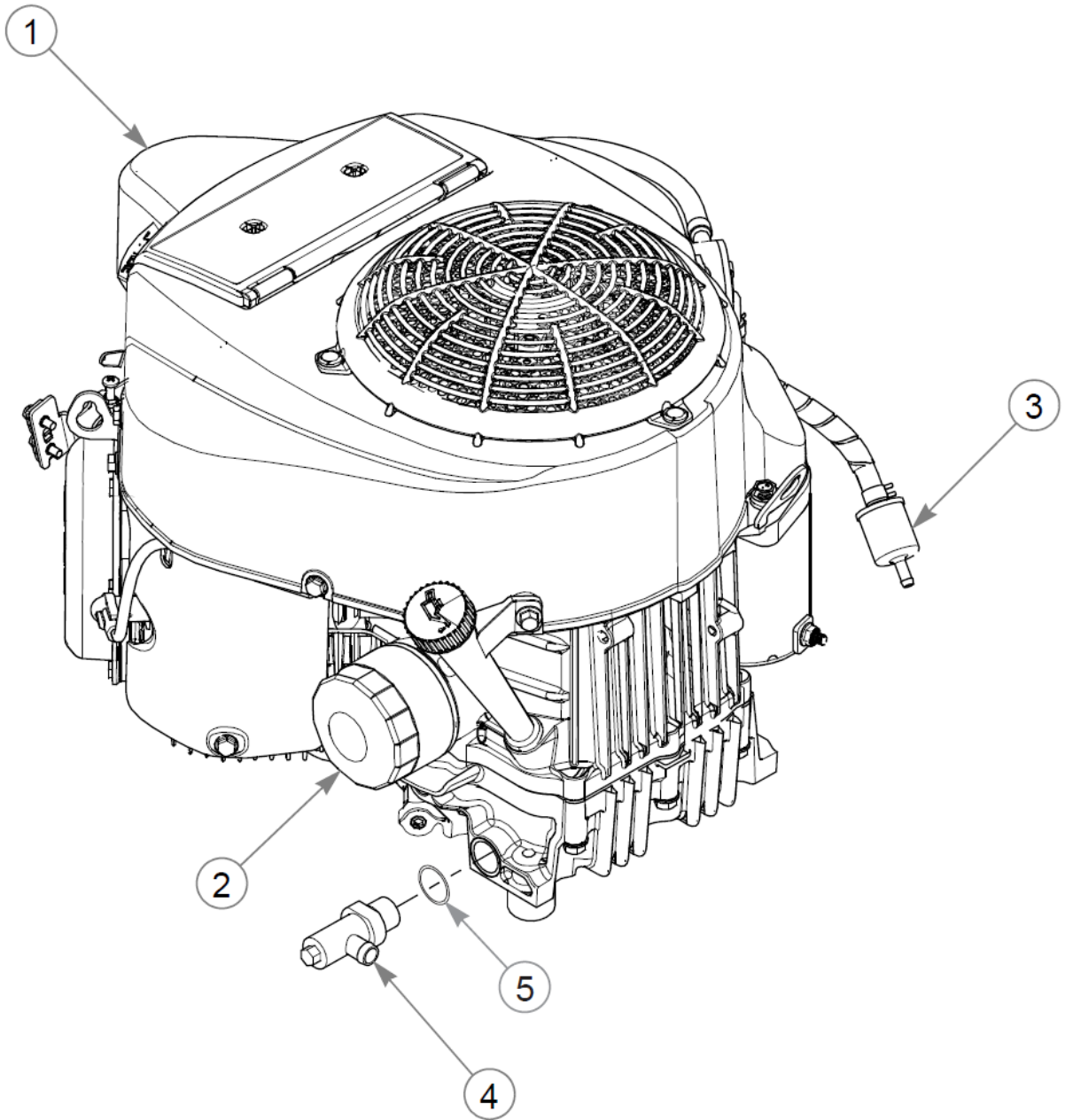
42" Dash XD Parts Manual - 940759 - HTDSXS042KAWFR541VA

A: 18" TANK TO FUEL FILTER (FUEL)

B: 19" TANK TO TEE (VAPOR)

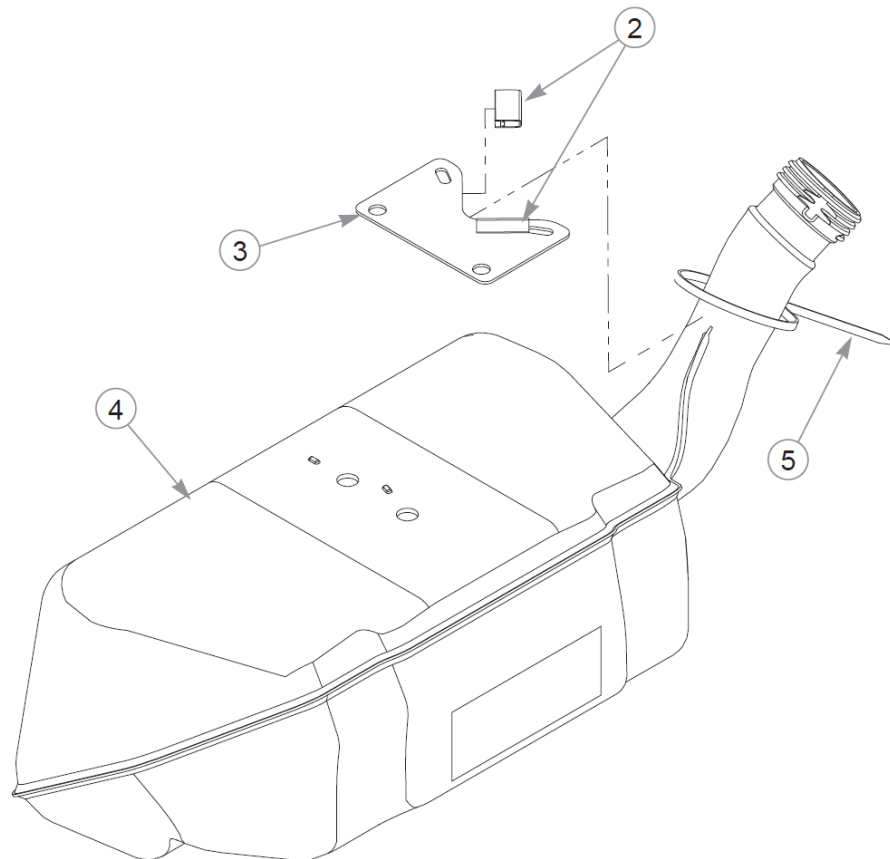
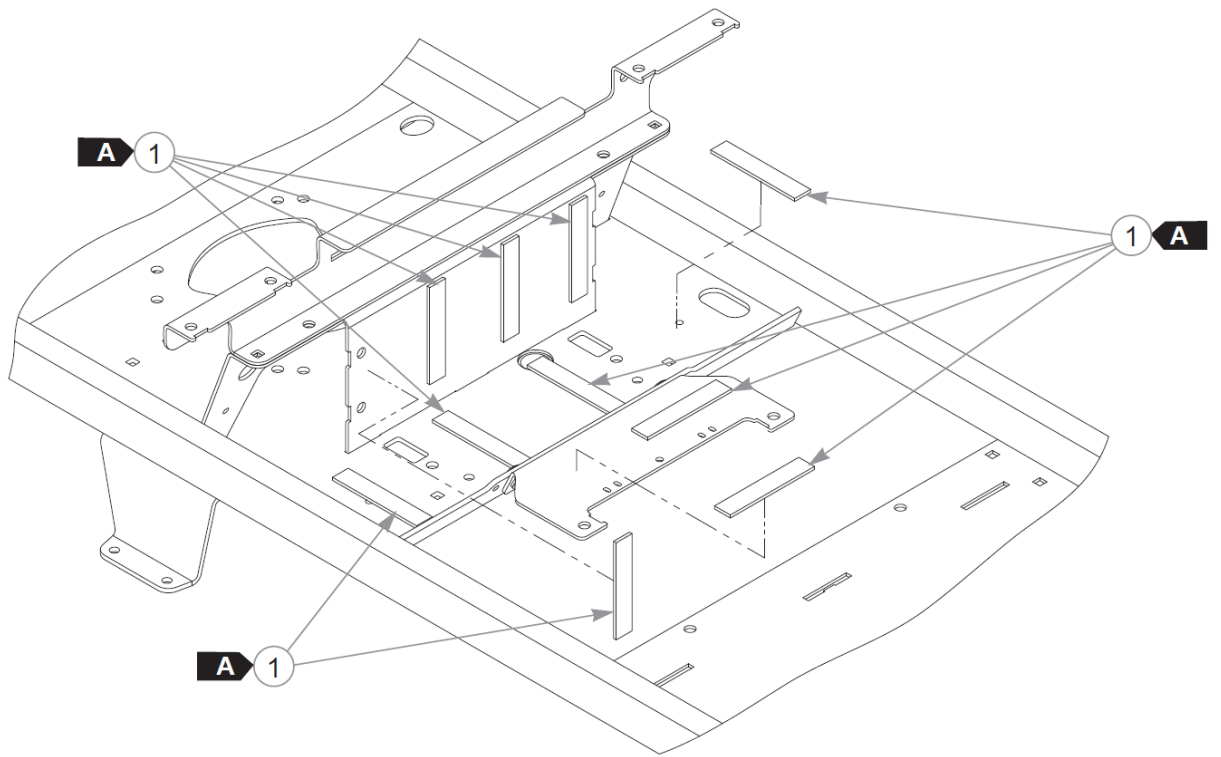
C: 26" TEE TO ENGINE (VAPOR)

This page intentionally left blank

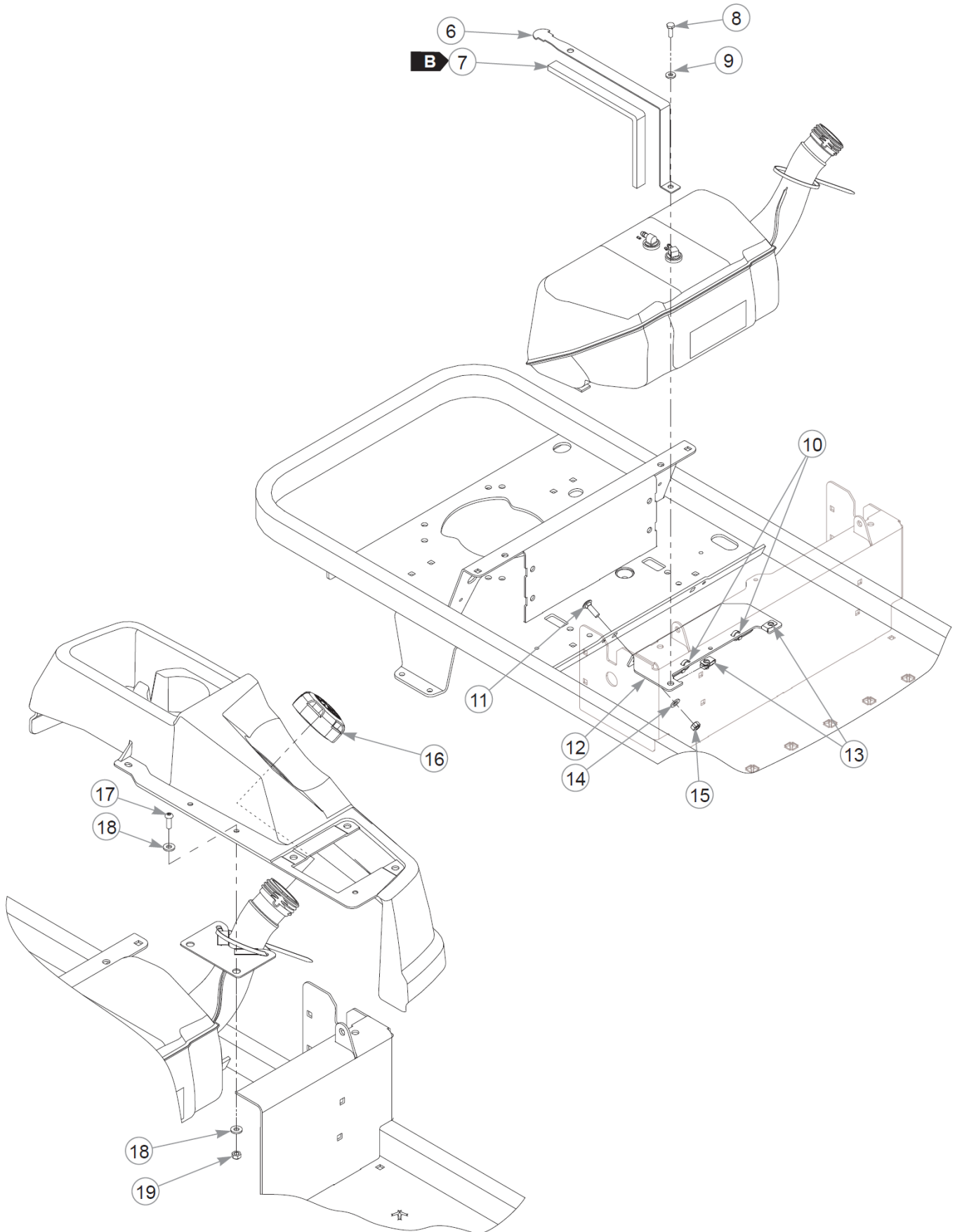


Engine Service Parts

| Item | Part No. | Qty | Name |
|------|----------|-----|-----------------------|
| 1 | 603059 | 1 | AIR FILTER - MAIN |
| 2 | 602581 | 1 | ENGINE OIL FILTER |
| 3 | 068478 | 1 | FUEL FILTER - IN LINE |
| 4 | 604350 | 1 | VALVE, OIL DRAIN |
| 5 | 604369 | 1 | O-RING |



This page intentionally left blank



| Item | Part No. | Qty | Name |
|------|----------|------|--------------------------|
| 1 | 608040 | 3.3 | RUBBER STRIP |
| 2 | 604966 | 2 | TRIM LOCK, 1.13" |
| 3 | 127226-1 | 1 | SUPPORT - FUEL TANK |
| 4 | 607925 | 1 | FUEL TANK ASM |
| 5 | 000430 | 1 | WIRE TIE, SMALL/LONG |
| 6 | 127225-1 | 2 | STRAP - FUEL TANK |
| 7 | 713198 | 2.25 | SEAL 3/8x3/4 SOLD BY FT |
| 8 | 055939 | 2 | CS .250-20X0.75 HX G5 ZN |
| 9 | 768515 | 2 | FW 0.281SAE |
| 10 | 000331 | 2 | WIRE TIE, SMALL/SHORT |
| 11 | 037887 | 2 | CB .312-18X 1.000 FUL ZN |
| 12 | 127224-1 | 1 | SUPPORT - FUEL TANK |
| 13 | 601982 | 2 | CN .250-20X .150 MAX THK |
| 14 | 768523 | 2 | FW 0.343SAE |
| 15 | 058776 | 2 | NT .312-18NLG5 |
| 16 | 607731 | 1 | CAP - 2.25" KELCH |
| 17 | 605473 | 2 | CS .250-20X0.75 BH TX BZ |
| 18 | 605628 | 4 | FW 0.281X.63X.07 ZB |
| 19 | 068551 | 2 | NT .250-20 HXZY NL |

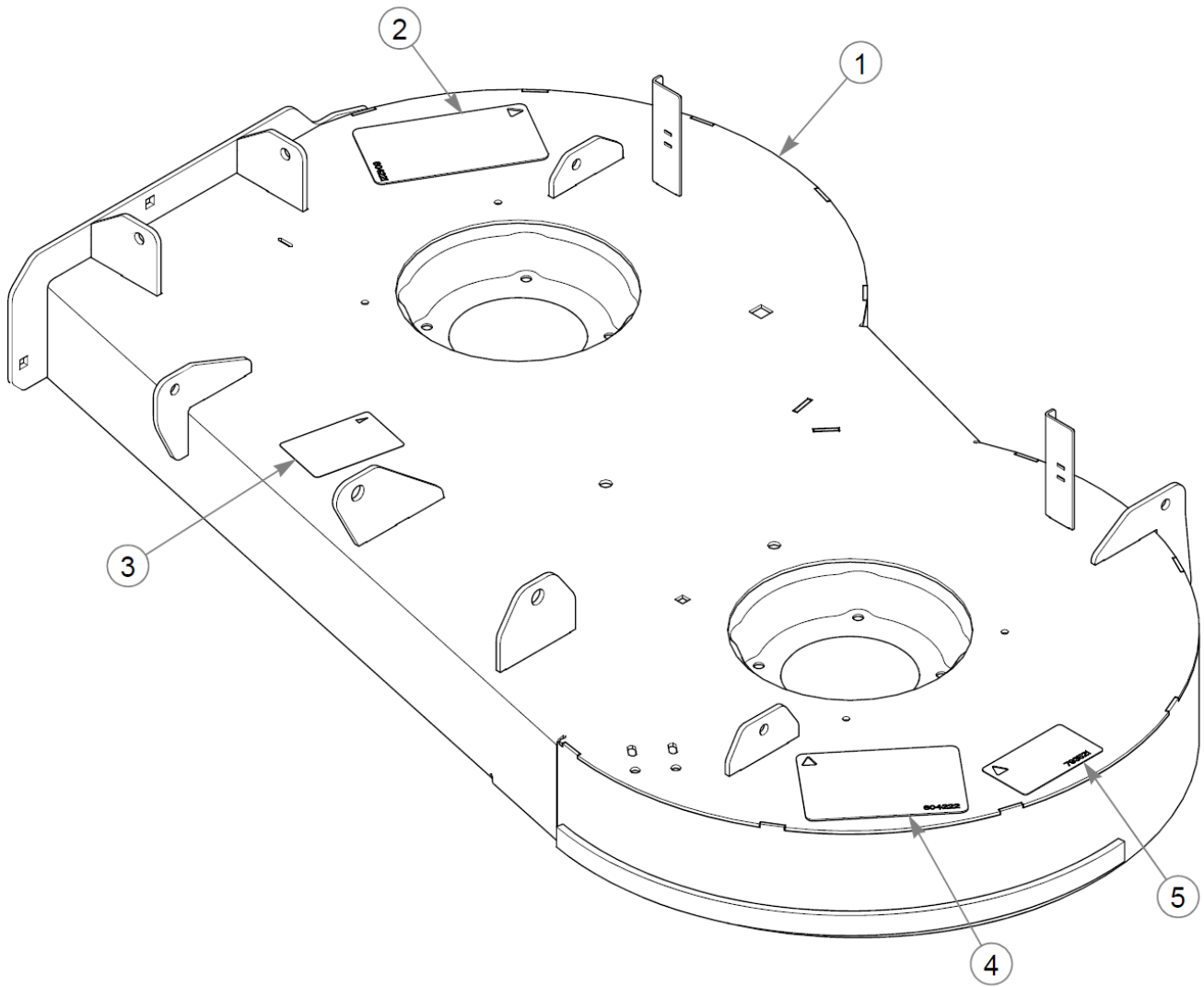
Comments for Page: Fuel System (Multi-Page)

RUBBER STRIP LENGTH

A: 4"

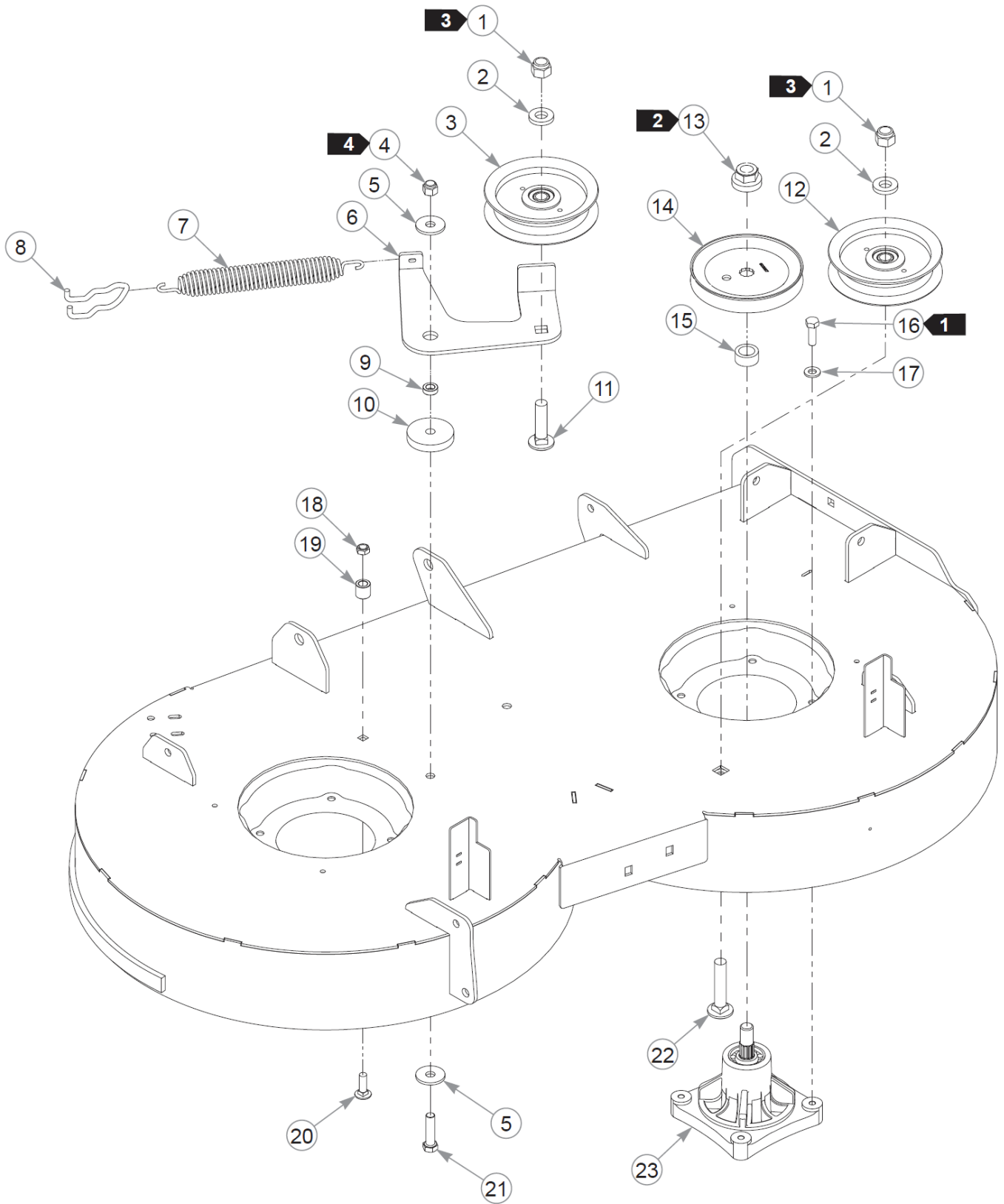
SEAL LENGTH

B: 13.5"



Service Deck

| Item | Part No. | Qty | Name |
|------|----------|-----|-------------------------|
| 1 | 554912 | 1 | 42" SERVICE DECK |
| 2 | 604221 | 1 | DECAL, DANGER / CHUTE |
| 3 | 602243 | 1 | DECAL, BELT ROUTING |
| 4 | 604222 | 1 | DECAL, DANGER / OBJECTS |
| 5 | 793521 | 1 | DECAL, 42" DECK ID |

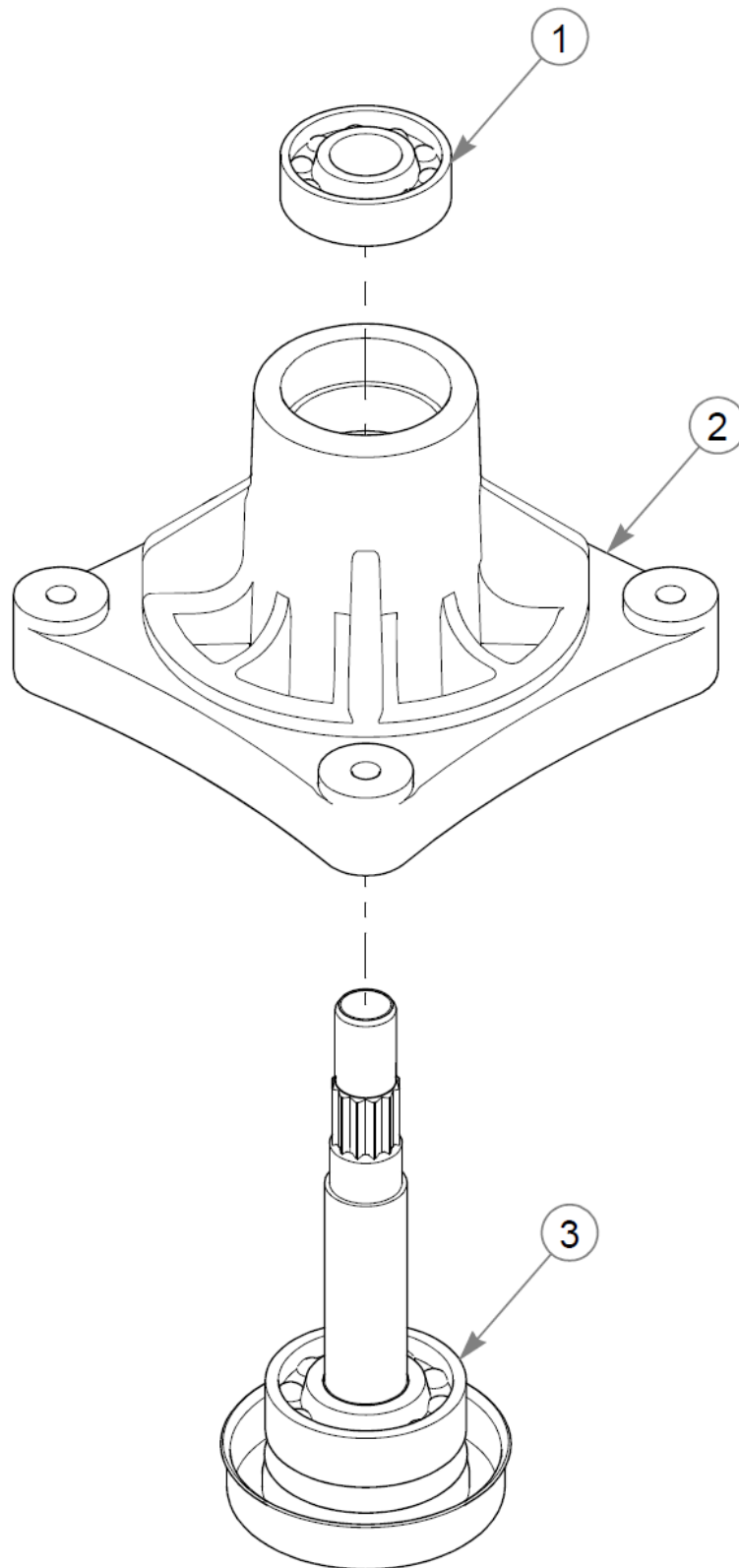


Deck Pulleys & Spindles

| Item | Part No. | Qty | Name |
|------|----------|-----|--------------------------|
| 1 | 781567 | 2 | NT .500-13NLG5 |
| 2 | 767962 | 2 | FW .531 x 1.063 x .175 |
| 3 | 605512 | 1 | 4" IDLER PULLEY |
| 4 | 086660 | 1 | NT .375-16NLG8 |
| 5 | 712893 | 2 | FW 0.406X1.25X.12 HD ZN |
| 6 | 117512 | 1 | IDLER ARM, PIVOTING |
| 7 | 607616 | 1 | SPRING, DECK IDLER |
| 8 | 604110 | 1 | ANCHOR, SPRING TENSIONER |
| 9 | 601839 | 1 | PIVOT SPACER BUSHING |
| 10 | 117539 | 1 | SPACER, IDLER ARM |
| 11 | 604253 | 1 | CB .50-13 X 2.00 STD ZN |
| 12 | 126123 | 1 | SVC KIT 604219 PULLEY |
| 13 | 606943 | 2 | NT .562-18 HX NLG5 |
| 14 | 603987 | 2 | PULLEY, 12 POINT |
| 15 | 604123 | 2 | SPACER, PULLEY |
| 16 | 036236 | 8 | CS .312-18X1.000HXG5 |
| 17 | 768523 | 8 | FW 0.343SAE |
| 18 | 604251 | 1 | NT .312-18 HXNL JAM G2ZN |
| 19 | 122398 | 1 | TENSIONING PULLEY STOP |
| 20 | 037887 | 1 | CB .312-18X 1.000 FUL ZN |
| 21 | 080655 | 1 | CS .375-16X1.500HXG5 |
| 22 | 604254 | 1 | CB .50-13 X 2.50 STD ZN |
| 23 | 604214 | 2 | SPINDLE ASSY, RAP/ALP |

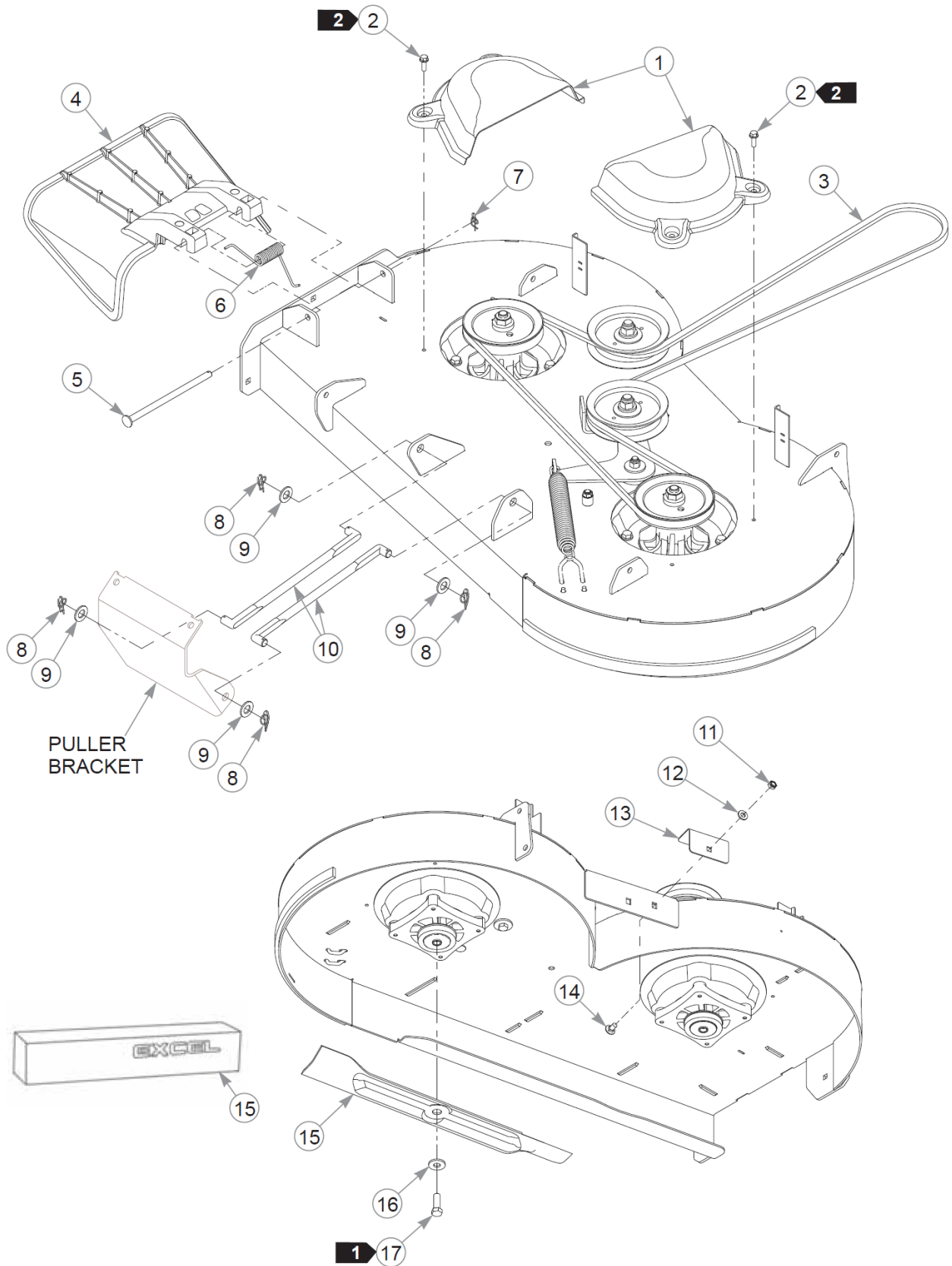
Comments for Page: Deck Pulleys & Spindles

1. Torque to 18 ft-lbs.
2. Torque to 75 ft-lbs.
3. Torque to 73 ft-lbs.
4. Torque to 30 ft-lbs. The idler arm must pivot freely.



Spindle Service Parts - 604214

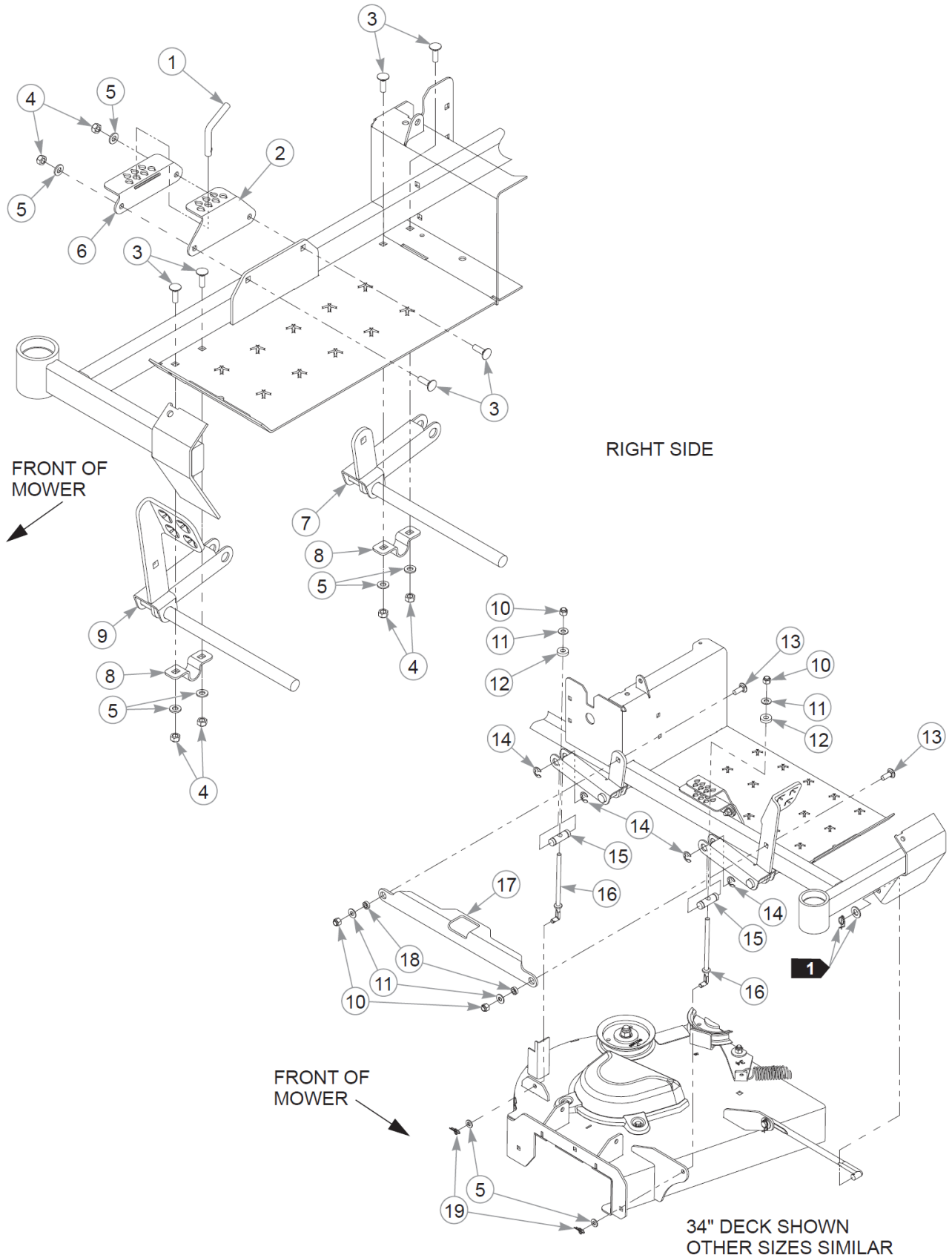
| Item | Part No. | Qty | Name |
|------|----------|-----|------------------|
| 1 | 604019 | 1 | BEARING, SPINDLE |
| 2 | 604218 | 1 | CAST HOUSING |
| 3 | 607274 | 1 | SVC SHAFT |



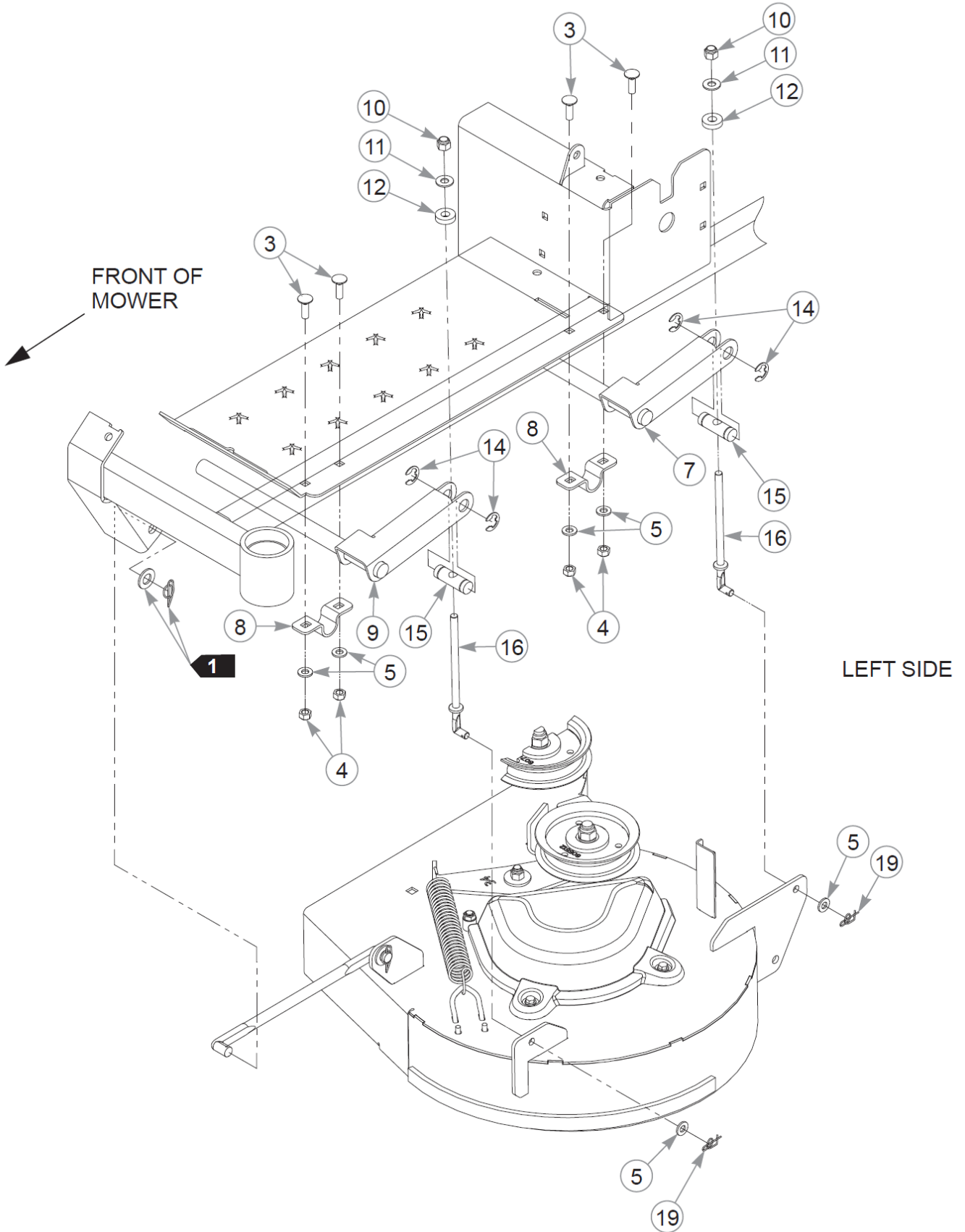
| Item | Part No. | Qty | Name |
|-----------|----------|-----|--------------------------|
| 1 | 604403 | 2 | PULLEY COVER |
| 2 | 604324 | 4 | CS .250-20 X .75 HX FLG |
| 3 | 607059 | 1 | DECK BELT |
| 4 | 607145 | 1 | DISCHARGE CHUTE |
| 5 | 607157 | 1 | PIN, DISCHARGE CHUTE |
| 6 | 607146 | 1 | CHUTE SPRING |
| 7 | 607093 | 1 | CP, RUE RING .054 X .392 |
| 8 | 607051 | 4 | CP, RUE RING .062 X .520 |
| 9 | 004168 | 4 | FW .531x1.00x.090 ZN |
| 10 | 607016 | 2 | PULLER, DECK |
| 11 | 604251 | 1 | NT .312-18 HXNL JAM G2ZN |
| 12 | 768523 | 1 | FW 0.343SAE |
| 13 | 607262-4 | 1 | PLATE, WEAR |
| 14 | 083147 | 1 | CB .312-18X .620 G5 ZN |
| 15 | 607280 | 2 | BLADE,20.50"-M-F-CW |
| Not Shown | 607280X | 1 | 10PK BLADE,20.50"M-F-CW |
| Not Shown | 607310 | 2 | BLADE, 20.50" MULCH-F-CW |
| Not Shown | 607310X | 1 | 10PK BLADE, 20.50" MULCH |
| Not Shown | 794230 | 2 | BLADE,20.50"GAT-F-CW |
| Not Shown | 794230X | 1 | 10PK BLADE, 20.50"-GAT-F |
| Not Shown | 607564 | 2 | BLADE, 20.50"-L-F-CW |
| Not Shown | 607564X | 1 | 10 PK, BLADE 20.50" |
| 16 | 602680 | 2 | FW .453X1.12X.12 HRD ZN |
| 17 | 754101 | 2 | CS .437-20X1.250HXG5 |

Comments for Page: Deck Belt, Discharge Chute, Pulley Covers & Blades

1. Torque to 48 ft-lbs.
2. Torque to 2–5 ft-lbs on these 2 self-tapping screws.



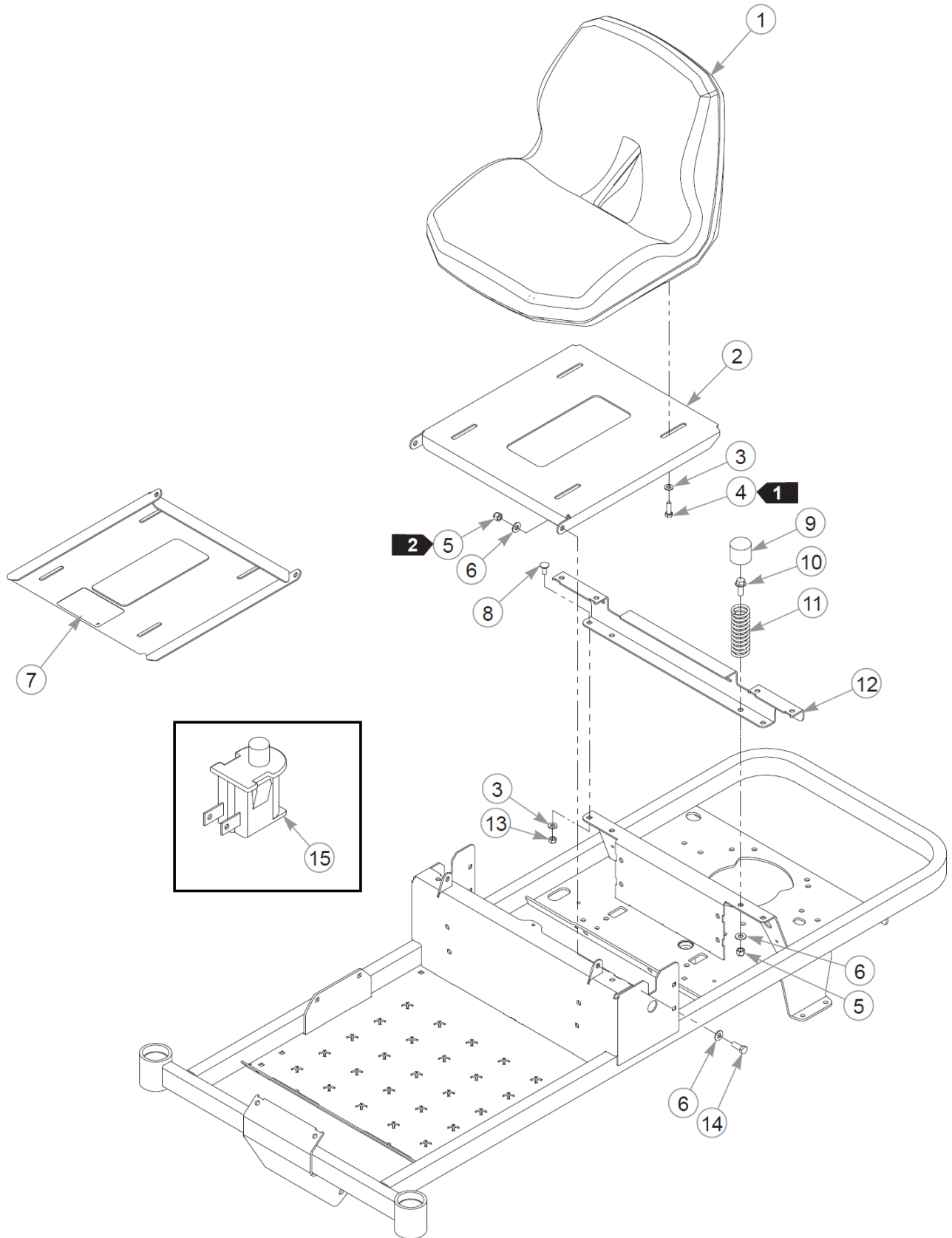
This page intentionally left blank



| Item | Part No. | Qty | Name |
|------|----------|-----|--------------------------|
| 1 | 601963 | 1 | PIN, DECK HEIGHT STOP |
| 2 | 125228-1 | 1 | DECK LIFT BRACKET |
| 3 | 037887 | 10 | CB .312-18X 1.000 FUL ZN |
| 4 | 058776 | 10 | NT .312-18NLG5 |
| 5 | 768523 | 14 | FW 0.343SAE |
| 6 | 125229-1 | 1 | DECK LIFT BRACKET |
| 7 | 126103-1 | 1 | DECK LIFT W/A, REAR |
| 8 | 124635-3 | 4 | DECK LIFT STRAP |
| 9 | 126102-1 | 1 | DECK LIFT W/A, FRONT |
| 10 | 086660 | 6 | NT .375-16NLG8 |
| 11 | 767954 | 6 | FW 0.379X.82X.06 HD ZN |
| 12 | 605114 | 4 | FW .41X.94X.25 UHMW |
| 13 | 025395 | 2 | CB .375-16X 1.00 G5 ZN |
| 14 | 791673 | 8 | CLIP E,.625x.480x.042 Z |
| 15 | 118018 | 4 | PIVOT, DECK LIFT |
| 16 | 608334 | 4 | DECK HANGER W/A |
| 17 | 125233-4 | 1 | DECK LIFT LINK |
| 18 | 601839 | 2 | PIVOT SPACER BUSHING |
| 19 | 607093 | 4 | CP, RUE RING .054 X .392 |

Comments for Page: Deck Lift & Mounting Hardware (Multi-Page)

1. Part of the Deck Assembly.



Seat

| Item | Part No. | Qty | Name |
|------|----------|-----|--------------------------|
| 1 | 608053 | 1 | SEAT, SK120 |
| 2 | 554825 | 1 | SVC, SEAT PAN |
| 3 | 768523 | 6 | FW 0.343SAE |
| 4 | 036236 | 4 | CS .312-18X1.000HXG5 |
| 5 | 086660 | 4 | NT .375-16NLG8 |
| 6 | 767954 | 6 | FW 0.379X.82X.06 HD ZN |
| 7 | 601815 | 1 | DECAL, BATTERY WARNINGS |
| 8 | 016253 | 2 | CB .312-18X .750 FUL ZN |
| 9 | 607838 | 2 | CAP |
| 10 | 029751 | 2 | CS .375-16X1.00 HXF G5ZN |
| 11 | 793851 | 2 | SPRING,COMP 1.25X4.00X. |
| 12 | 124617-1 | 1 | SEAT SUPPORT |
| 13 | 058776 | 2 | NT .312-18NLG5 |
| 14 | 036244 | 2 | CS .375-16X1.00 HX G5 ZN |
| 15 | 793315 | 1 | SWITCH, SNAP MOUNT |

Comments for Page: Seat

1. Torque to 7 ft-lbs.
2. Do not torque; the seat pan and seat stop must pivot freely.
3. The seat pan includes the decal.