

Hustler® Parts Manual



HUSTLER®
TURF EQUIPMENT

200 South Ridge Road

Hesston, Kansas

67062



NOTICE OF REQUIREMENT OF SPARK ARRESTER MUFFLER

This equipment may create sparks that can start fires around dry vegetation. California Public Resources Code Section 4442.6 provides that it is unlawful to use or operate an internal combustion engine on any forest-covered, brush-covered, or grass-covered land unless the engine is equipped with a spark arrester maintained in effective working order. A spark arrester is a device constructed of nonflammable materials specifically for the purpose of removing and retaining carbon and other flammable particles over 0.0232 of an inch in size from the exhaust flow of an internal combustion engine that uses hydrocarbon fuels or which is qualified and rated by the United States Forest Service. Other states or federal areas may have similar laws. The Operator Should Contact Local Fire Agencies For Laws or Regulations Relating to Fire Prevention Requirements. **THIS EQUIPMENT DOES NOT HAVE A SPARK ARRESTER AND YOU SHOULD CONTACT YOUR AUTHORIZED DEALER FOR THE PURCHASE OF A SPARK ARRESTER.**

Inspect spark arrester daily; replace every 500 hours or as needed.

The Engine Owner's Manual provides information regarding the U.S. Environmental Protection Agency (EPA) and the California Emission Control Regulation of emission systems, maintenance and warranty.

Keep Engine Owner's Manual with your unit. Should the Engine Owner's Manual become damaged or illegible, replace immediately. Replacements may be ordered per the information found in the Product Information section of the owner's manual.

Federal law and California State law prohibit the following acts or the causing thereof:

1. The removal or rendering inoperative by any person other than for purposes of maintenance, repair, replacement, of any device or element of design incorporated into any equipment for the purposes of emissions control prior to or after its sales or delivery to the ultimate purchaser or while it is in use, or
2. The use of the equipment after such device or element of design has been removed or rendered inoperative by any person.

General Information Page	1
Frame & Engine Guard	
Frame	2-1
Engine Guard	2-2
Transmissions, Drive Belt, Steering & Brake	
Transmission & Drive Belt (Multi-Page)	3-1
609035 & 609036 Transmission Service Parts	3-2
Steering (Multi-Page)	3-3
Brake (Multi-Page)	3-4
Wheels & Tires	
Wheels & Tires	4-1
Front Wheel & Fork	4-2
Front Wheel Service Parts - 606745	4-3
Drive Wheel Assembly	4-4
Engine, Muffler, Clutch & Fuel System	
Engine, Muffler, Clutch & Fuel System	5-1
Engine Service Parts - FX820V EVO	5-2
Fuel System	5-3
LS Fuel Tank Service Parts - 608681	5-4
RS Fuel Tank Service Parts - 608682	5-5
Instrument Panel, Wire Harness & Battery	
Instrument Panel (Multi-Page)	6-1
Battery	6-2
Deck, Deck Belt, Blades & Deck Lift	
Service Deck	7-1
Deck, Pulleys, Spindles, Deck Belt & Blades (Multi-Page)	7-2
Spindle Assembly Service Parts - 607407	7-3
Deck Lift & Deck Height (Multi-Page)	7-4
Seat, Suspension & ROPS	
Seat, Floor Plan, Suspension (Multi-Page)	8-1
Seat Service Parts - 609185	8-2
ROPS	8-3

General Information

Note: When ordering parts, you must use the part number as shown for each part, not the index number. Always give the model and serial number to your parts and service representative.

Note: Items sold in bulk such as seals and hoses are sold by the foot.

Using This Manual

This manual is part of a service package for the Hustler® mowers. Use of this manual in conjunction with other Hustler® mower and component manuals will provide the information necessary to service and maintain Hustler® mowers.

This Parts Manual provides a complete parts listing for the unit. Use this manual when ordering parts. Illustrations used were current at the time of printing, but subsequent production changes may cause your machine to vary slightly in detail. Excel Industries, Inc. reserves the right to redesign and change the machine as deemed necessary, without notification. If a change has been made to your machine which is not reflected in this parts manual, see your authorized dealer for current information and parts.

The Service Manual is a service guide for use by Service Technicians. It provides the necessary information needed to perform normal maintenance requirements on these units.

The Operator's Manual provides fundamental operational information and operational safety that is needed when operating the mower.

The component manuals are furnished by the various manufacturers to be used for the troubleshooting and servicing of their products.

Hardware Description Codes & Abbreviations

The following codes are used throughout this parts manual. Refer to this list when ordering parts.

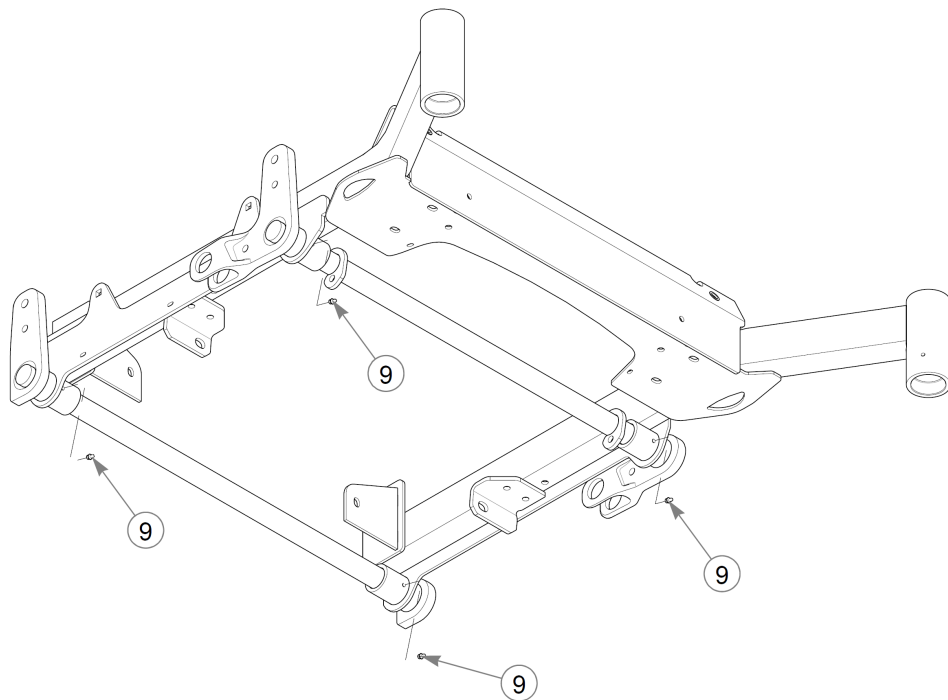
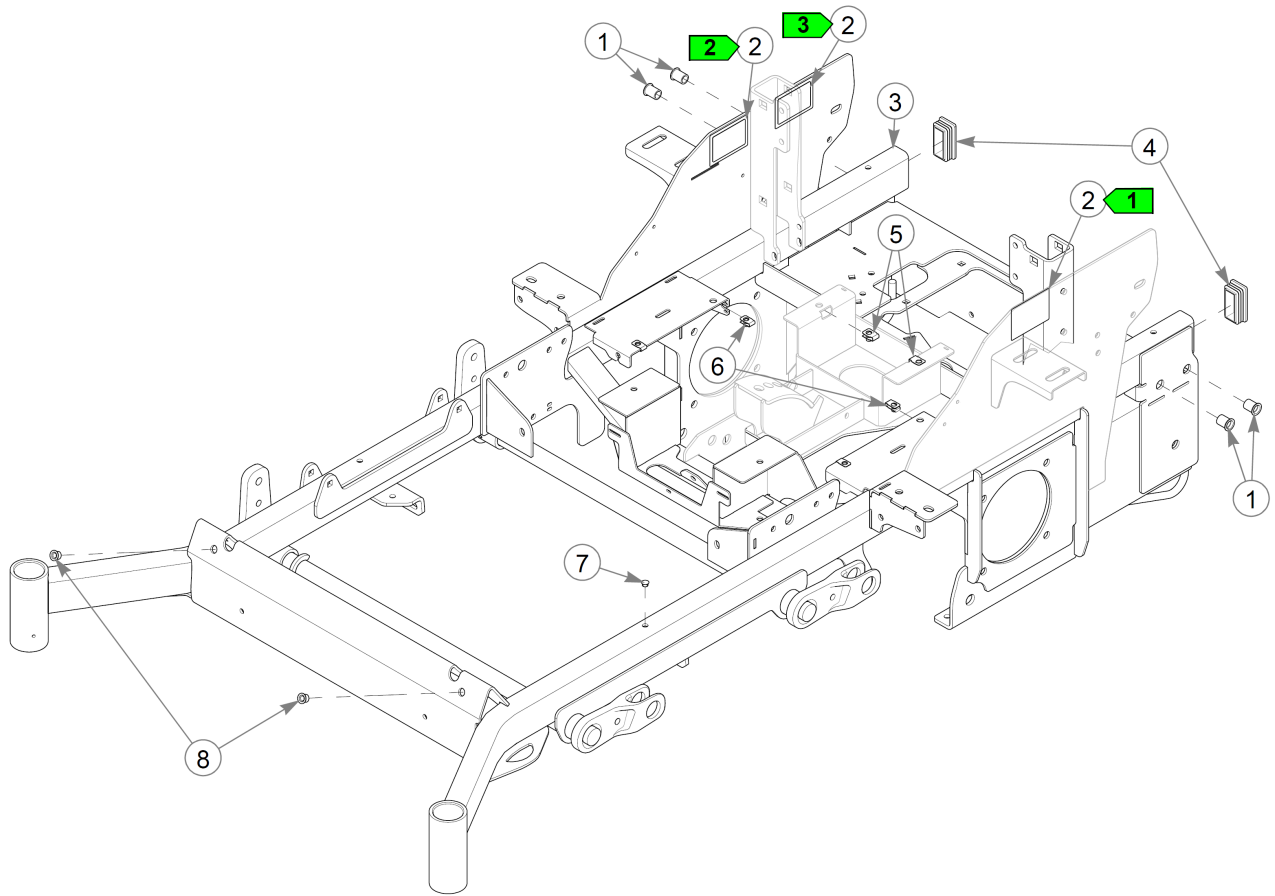
ABBREVIATION	DESCRIPTION	ABBREVIATION	DESCRIPTION
CB	CARRIAGE BOLT	MB	MACHINE BUSHING
CE	CLEVIS PIN	MS	MACHINE SCREW
CN	CLIP NUT	NT	NUT
CP	COTTER PIN	SC	SELF TAPPING CAP SCREW
CS	CAP SCREW	SH	SOCKET HEAD
CW	CUP WASHER	SB	SHOULDER BOLT
FDRW	FENDER WASHER	SS	SET SCREW
FW	FLAT WASHER	OD	OUTSIDE DIAMETER
HX	HEX HEAD	ID	INSIDE DIAMETER
LW	LOCK WASHER	WN	WELD NUT

Standard Torques

The following chart lists the standard torque values for the threaded fasteners found in this manual. Torque all cap screws, nuts and set screws to these values unless a different torque is shown in the Notes section next to the fastener.

SIZE	FT-LBS	N•M	SIZE	FT-LBS	N•M
.250	8.2	11.1	M3	1	1.3
.312	17	23	M4	2.2	3
.375	30	40	M5	4.5	6.1
.438	48	65	M6	7.7	10.4
.500	73	99	M8	18.5	25
.562	105	143	M10	37	50
.625	145	200	M12	64	87
.750	260	350	M14	80	108.5
.875	420	565	M16	160	215
1.00	625	850	M20	320	435
			M24	555	750

This page intentionally left blank

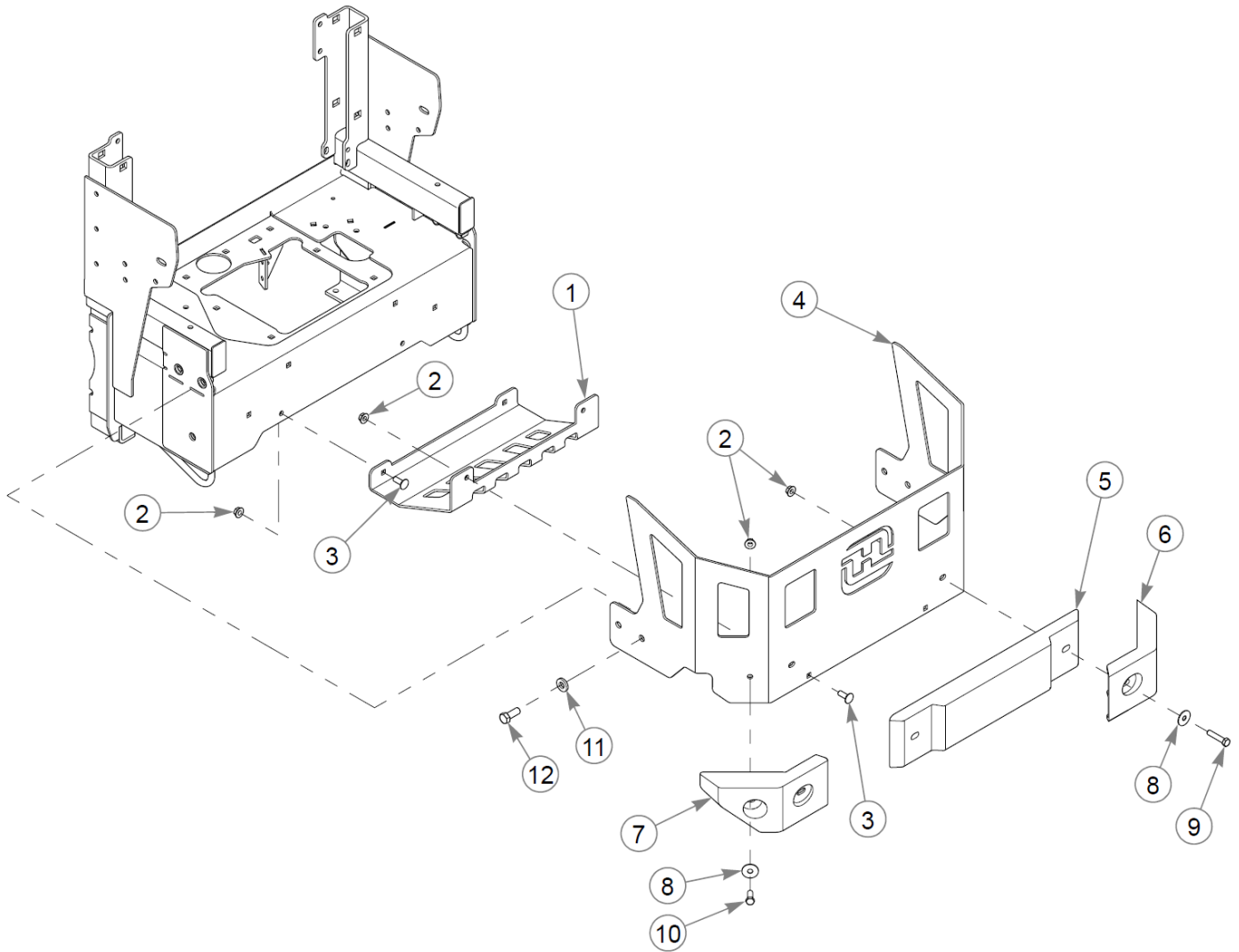


Frame

Item	Part No.	Qty	Name
1	600961	4	RIVET NUT, 1/2-13 THREAD
2	N/A	3	Not Applicable
3	556713	1	FRAME (WITH DECALS AND RIVET NUTS)
4	609171	2	PLUG, FRAME TUBE
5	601069	2	CN .312-18x.200 MAX THK
6	601982	4	CN .250-20X .150 MAX THK
7	609183	1	PLUG, 3/8 HOLE
8	808485	2	RIVET NUT, 5/16-18 THRE
9	015495	4	GREASE FITTING STRAIGHT

Comments for Page: Frame

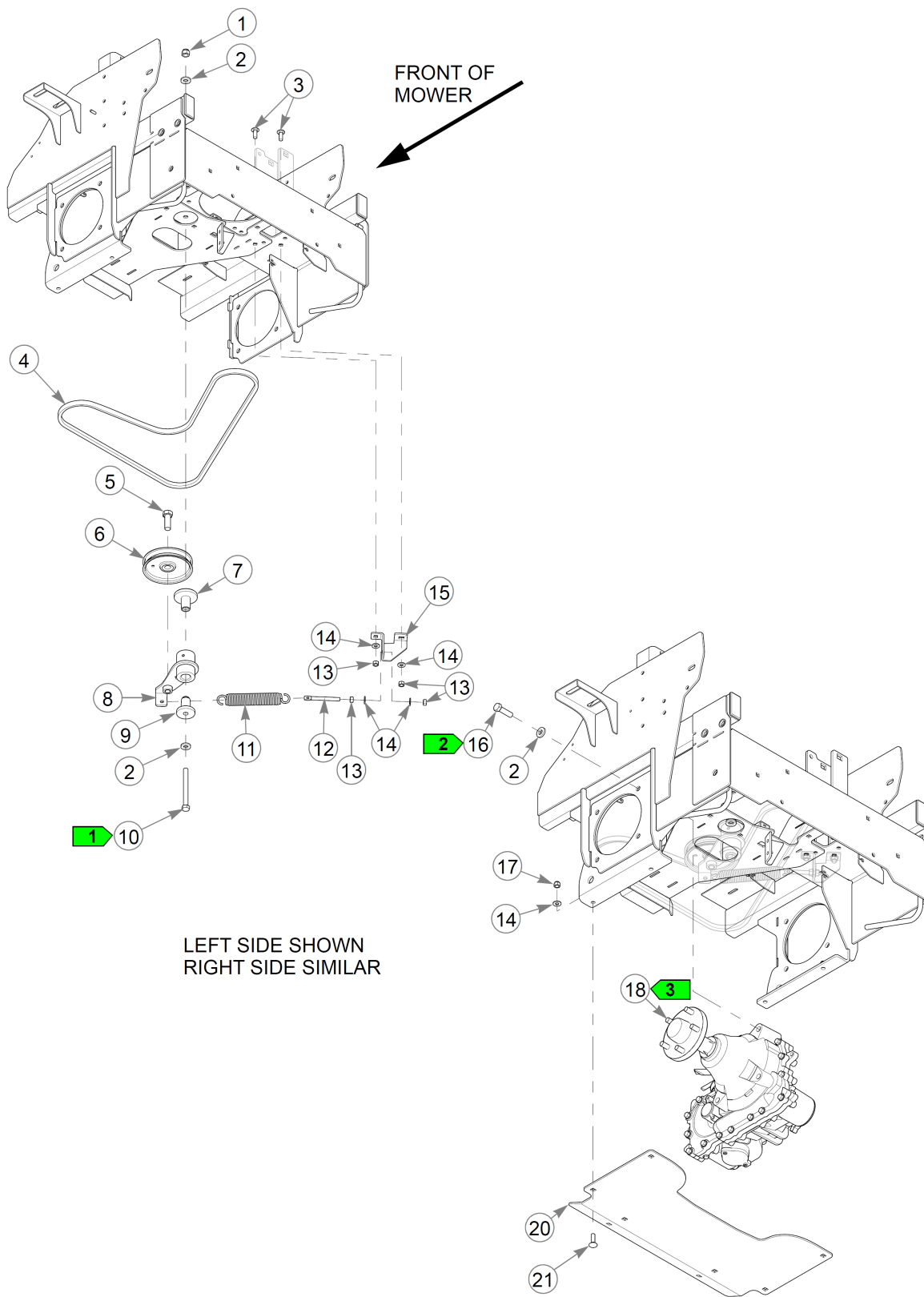
1. Serial number decal. In the event the serial number decal becomes damaged or illegible, please contact your dealer to order a replacement.
2. EPA compliance decal.
3. Patent numbers decal.



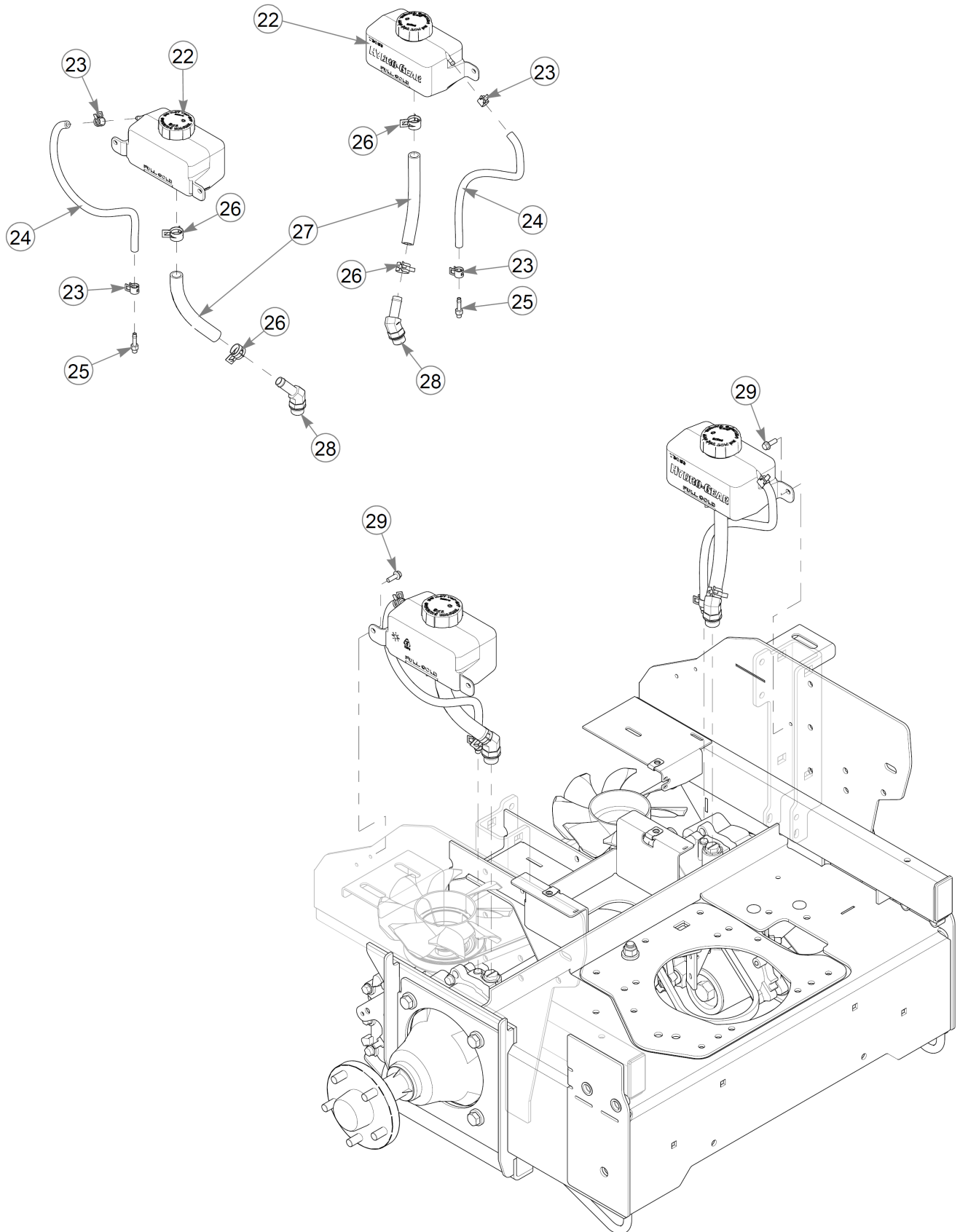
Engine Guard

60" X-RIDE Parts Manual - 944074 -
HTHXR V060KAWFX820VEFIA

Item	Part No.	Qty	Name
1	129739-6	1	MUFFLER GUARD, SHORT
2	016899	8	NT .375-16 FLKG5
3	025395	4	CB .375-16X 1.00 G5 ZN
4	129667-1	1	ENGINE GUARD
5	606657	1	PLASTIC BUMPER, CENTER
6	606659	1	PLASTIC BUMPER, RH
7	606658	1	PLASTIC BUMPER, LH
8	705137	4	FW 0.391X1.25X.06 ZN
9	705178	2	CS .375-16X1.750HXG5
10	036244	2	CS .375-16X1.00 HX G5 ZN
11	767962	4	FW .531 x 1.063 x .175
12	705954	4	CS .500-13X1.25 HX G5 ZN



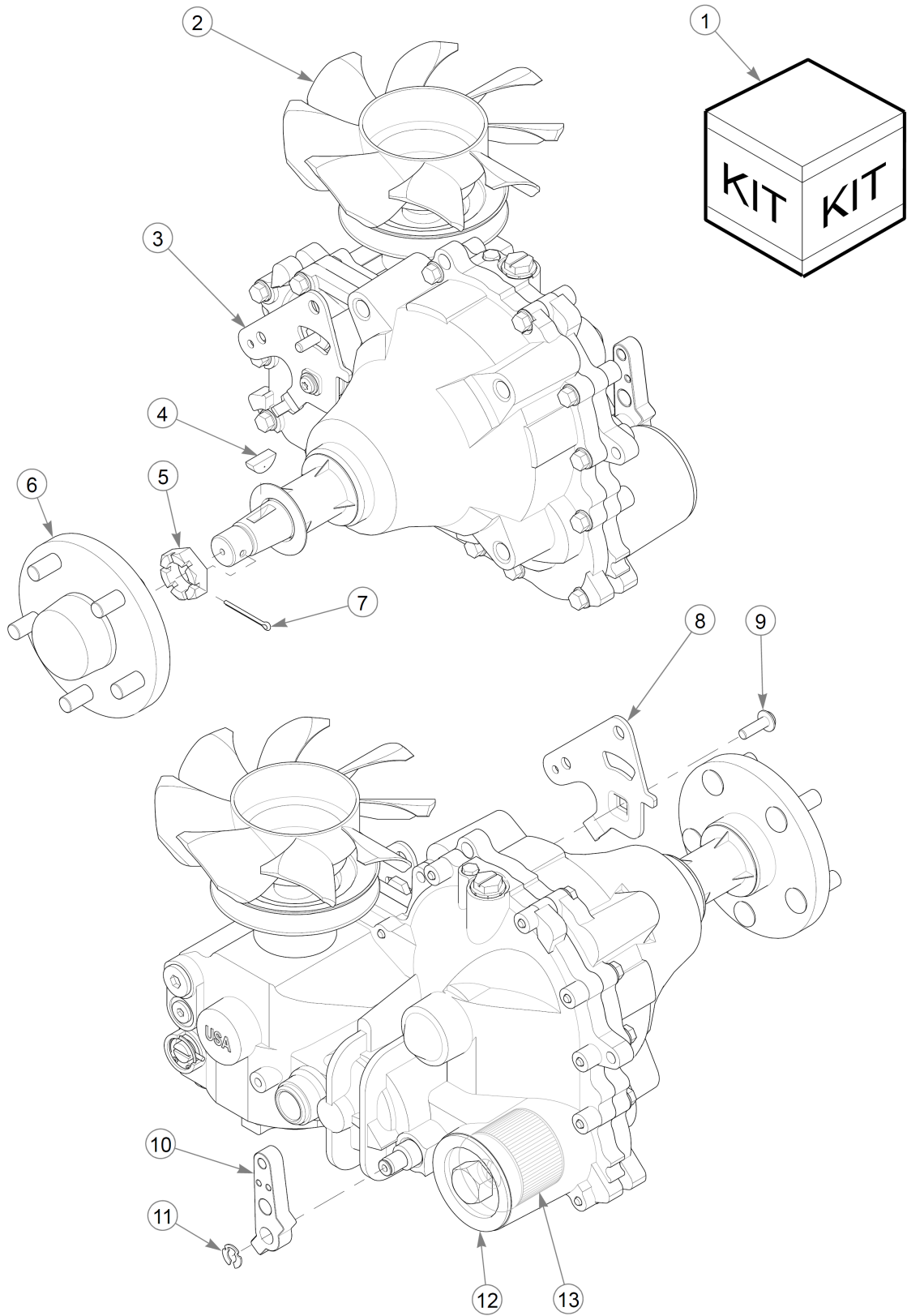
This page intentionally left blank



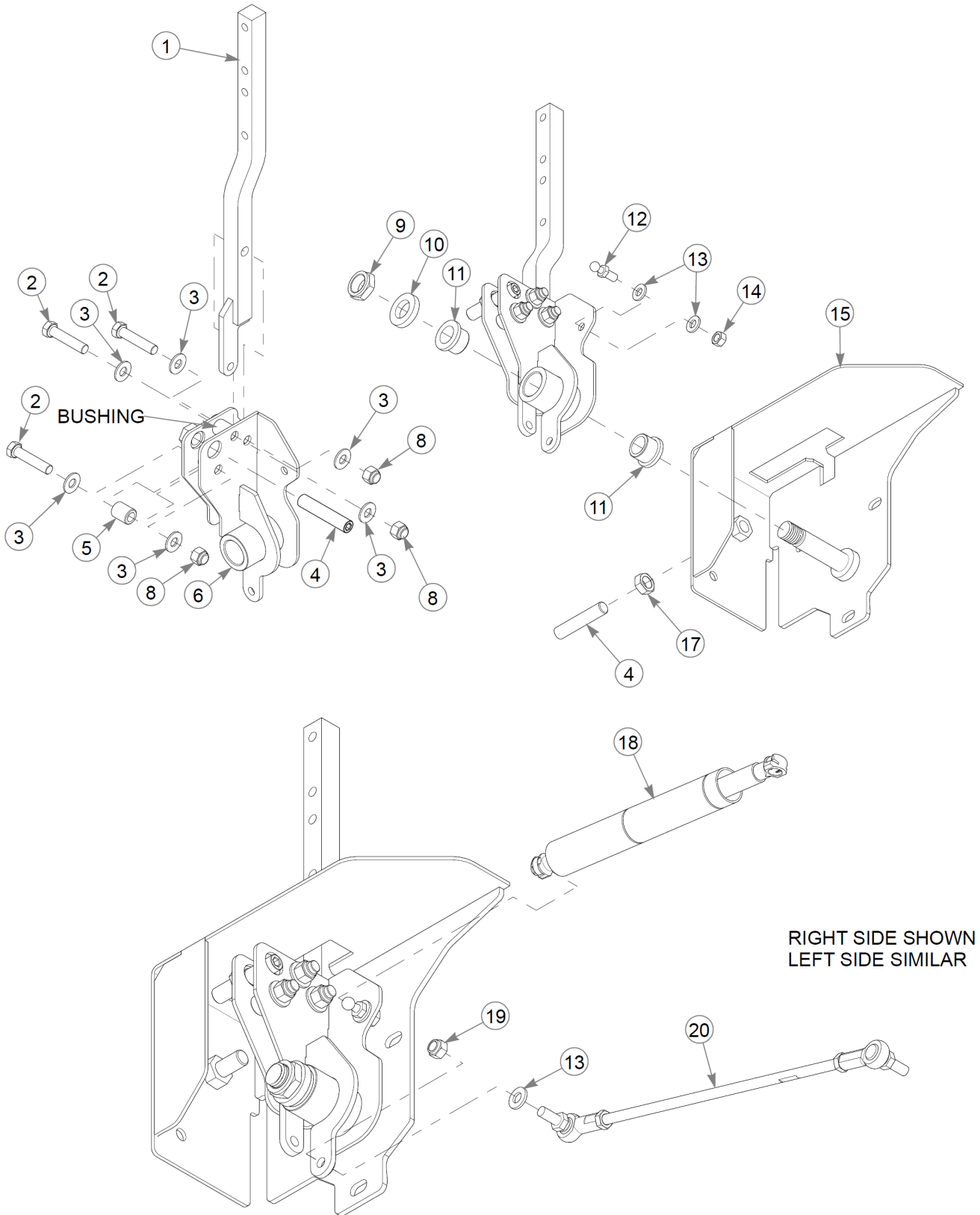
Item	Part No.	Qty	Name
1	781567	1	NT .500-13NLG5
2	767962	10	FW .531 x 1.063 x .175
3	025395	2	CB .375-16X 1.00 G5 ZN
4	609084	1	BELT, 5L
5	025007	1	CS .62511X1.750HXG5
6	602304	1	PULLEY, 5" FLAT IDLER
7	602880	1	BUSHING, IDLER PIVOT
8	129208-3	1	TENSIONER W/A
9	602879	1	BUSHING, IDLER PIVOT
10	051151	1	CS .500-13X5.000HXG5
11	601016	1	IDLER SPRING
12	601486	1	EB, .375-16X3.00 FULTHD
13	054502	4	NT .375-16HXG5
14	767954	8	FW 0.379X.82X.06 HD ZN
15	129210-1	1	SPRING ANCHOR
16	608390	8	CS .500-13X1.750 FULHXG8
17	086660	4	NT .375-16NLG8
18	609035	1	TRANS, ZT5400 L
	609036	1	TRANS, ZT5400 R
19	129196-1	1	SKID PLATE
20	603113	4	CB .375-16X1.250 G5 ZN
21	608057	2	1L EXPANSION TANK
22	000323	4	CLIP, HOSE CLAMP
23	609066	2	HOSE, HYDRAULIC
24	608839	2	FTG - STR, -2ORB -4BT
25	608291	4	CLAMP, -10 CONS TEN
26	609065	2	HOSE, EXPANSION
27	609064	2	FTG, -10MOR/-10BT 45
28	604324	4	CS .250-20 X .75 HX FLG
29	601052	0.15	OIL, 20W-50 (1.83 GALLONS)

Comments for Page: Transmission & Drive Belt (Multi-Page)

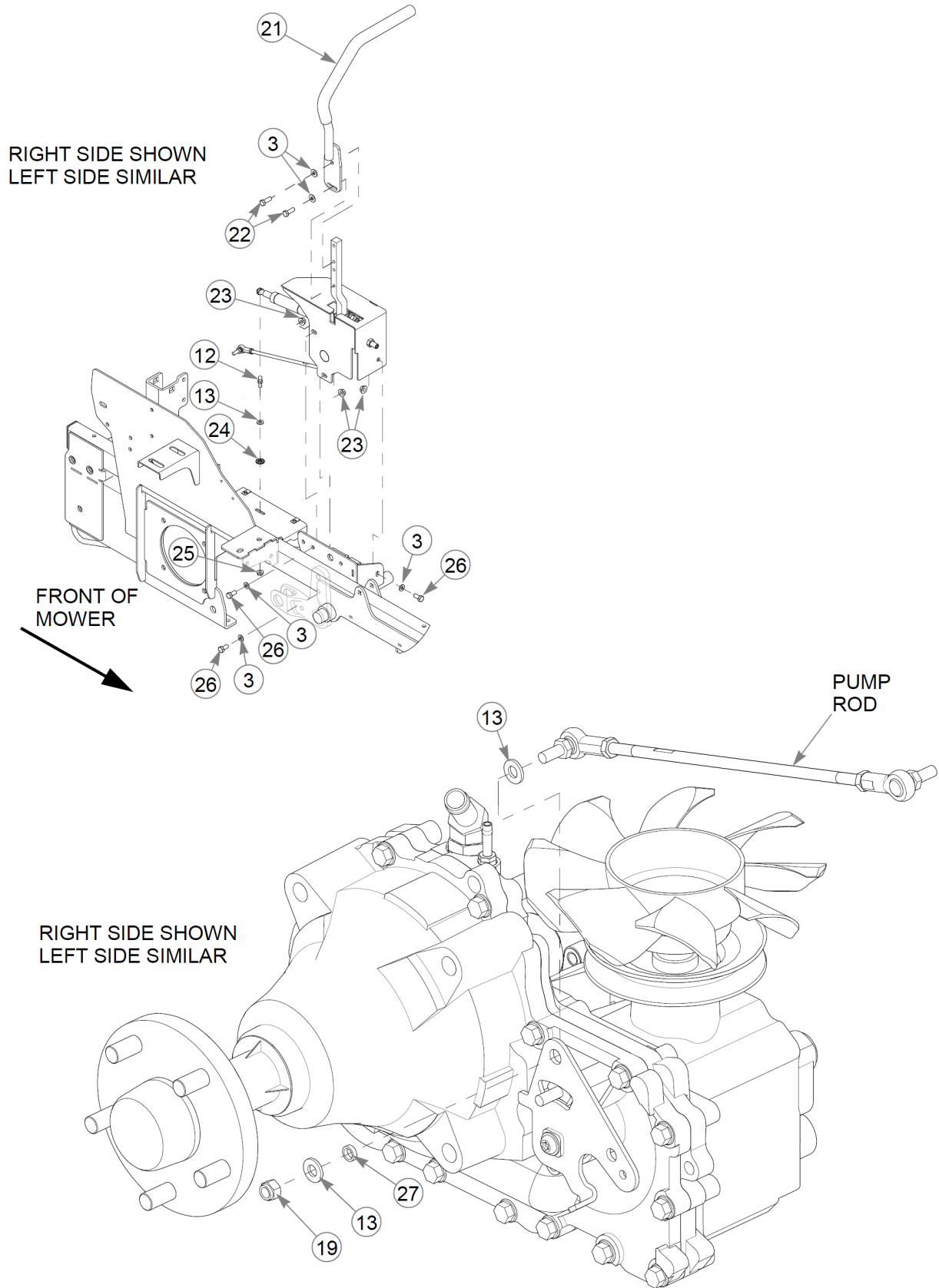
1. Torque to 71–75 ft-lbs. The tensioner must pivot freely.
2. Torque to 95-115 ft-lbs.
3. 609035 TRANSMISSION, ZT5400 is used on the Left Side of the mower.
609036 TRANSMISSION, ZT5400 is used on the Right Side of the mower.



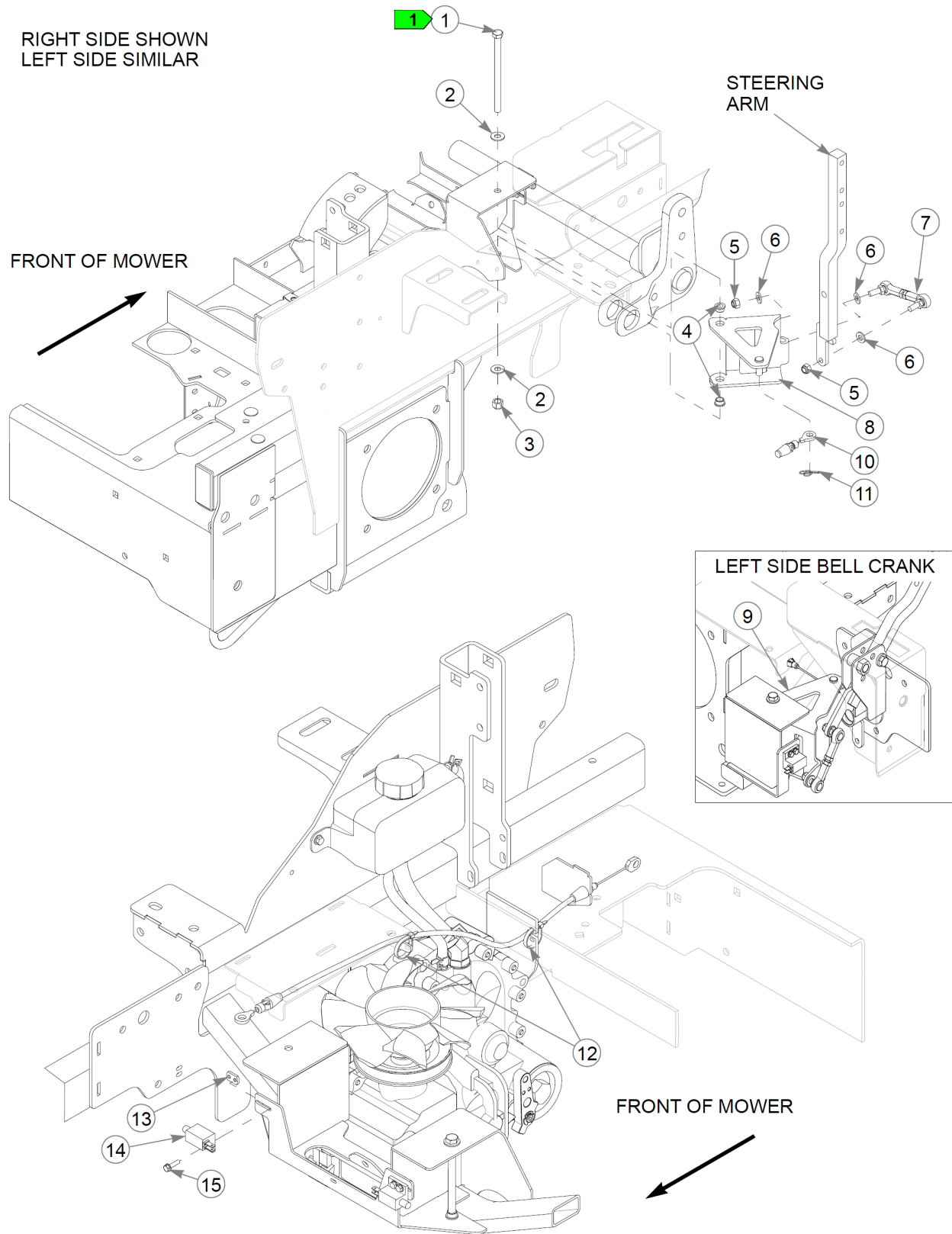
Item	Part No.	Qty	Name
1	609088	1	SEAL KIT 5400
2	609089	1	FAN PULLEY KIT
3	609094	1	CONTROL ARM L
4	601290	1	KEY, HG MOTOR 15E
5	609091	1	HUB NUT
6	609090	1	HUB KIT
7	609093	1	COTTER KEY - HUB NUT
8	609095	1	CONTROL ARM R
9	609022	1	SCREW - CONTROL ARM
10	609096	1	BRAKE ARM
11	600972	1	CLIP, RETAINING
12	609099	1	FILTER CAP
13	609098	1	FILTER KIT, 5400



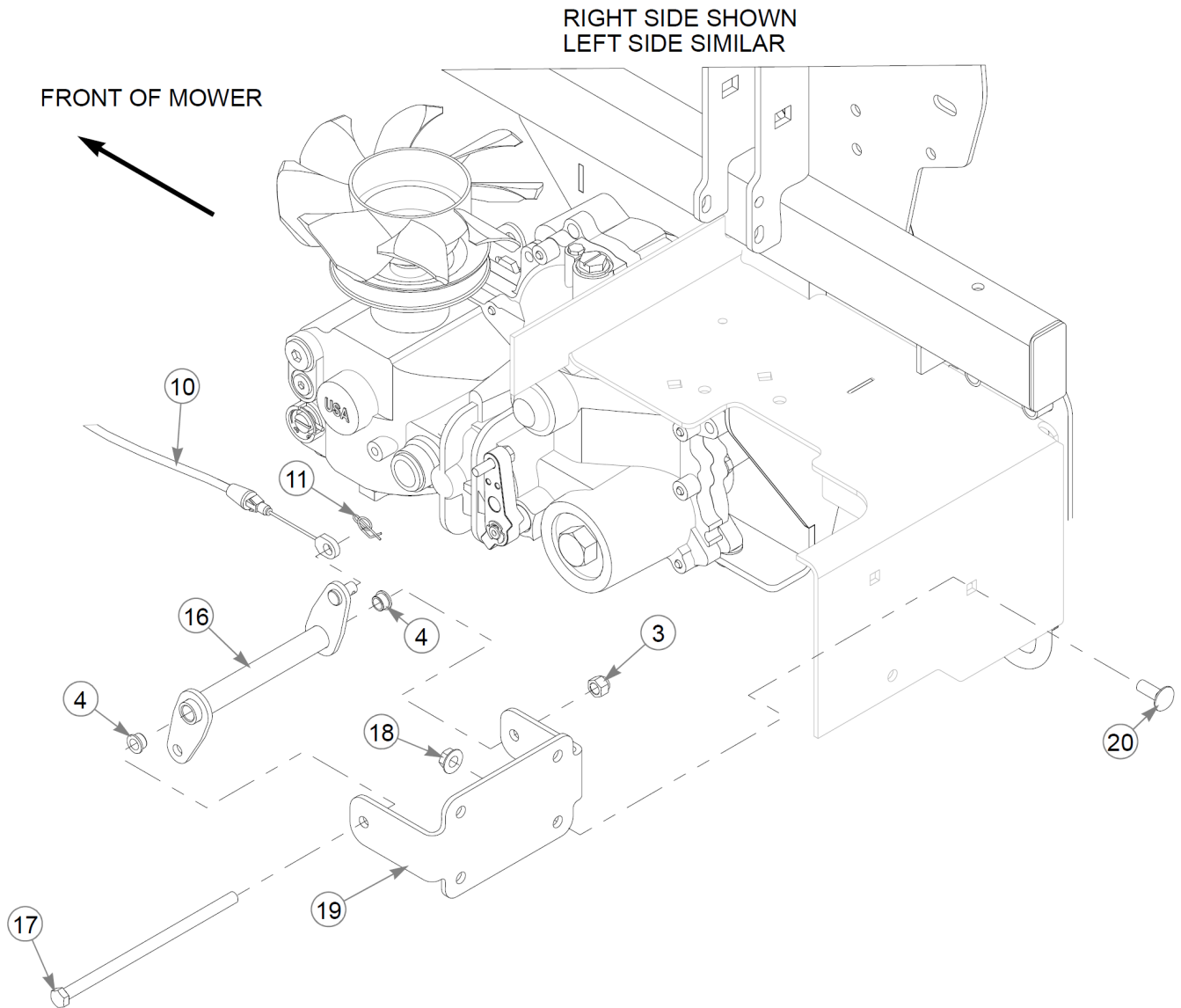
This page intentionally left blank



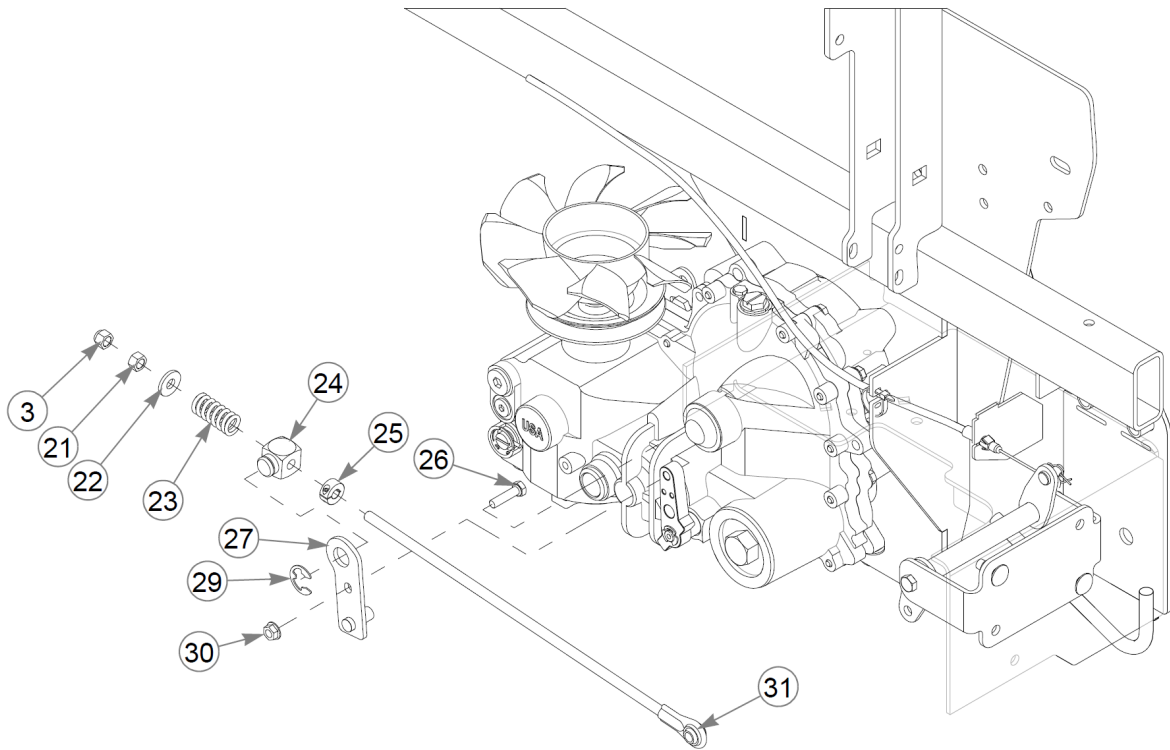
Item	Part No.	Qty	Name
1	608824-4	2	STEERING ARM
2	705178	6	CS .375-16X1.750HXG5
3	767954	22	FW 0.379X.82X.06 HD ZN
4	603055	4	SS .500-13X 2.50 SH ZN
5	348862	4	STEERLEVER BUSHING (PLA
6	129305-4	1	STEERING BOX W/A, RH
7	129304-4	1	STEERING BOX W/A, LH
8	086660	6	NT .375-16NLG8
9	604495	2	NT .750-10 NL JAM
10	778399	2	FW .781X1.38X.25 ZN
11	608000	4	BUSHING
12	781922	4	BALL STUD
13	768523	12	FW .343 SAE
14	034272	2	NT .312-18HXG5
15	129302-6	1	RIGHT STEERING COVER
16	129303-6	1	LEFT STEERING COVER (NOT SHOWN)
17	053199	2	NT .500-13JAMG5
18	795351	2	DAMPER, CENTERING
19	023655	4	NT 0.312-24 NL G8
20	608820	2	PUMP ROD ASSEMBLY
21	608823	2	HANDLE ASSEMBLY
22	781260	2	GRIP, STEERING BAR
23	036244	4	CS .375-16X1.00 HX G5 ZN
24	016899	6	NT .375-16 FLKG5
25	029876	2	LW .312 INTEXT ZN
26	016832	2	NT .312-18FLKG5
27	055822	6	CS .375-16X0.75 HX G5 ZN
28	604456	2	SPACER, PUMP ARM



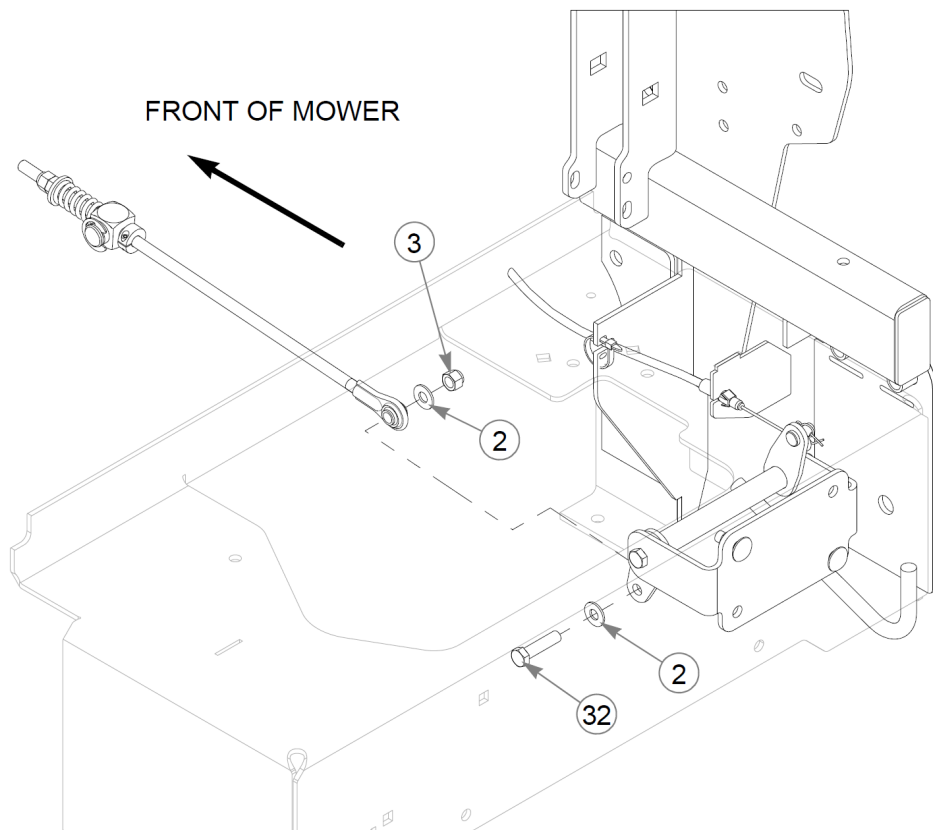
This page intentionally left blank



This page intentionally left blank



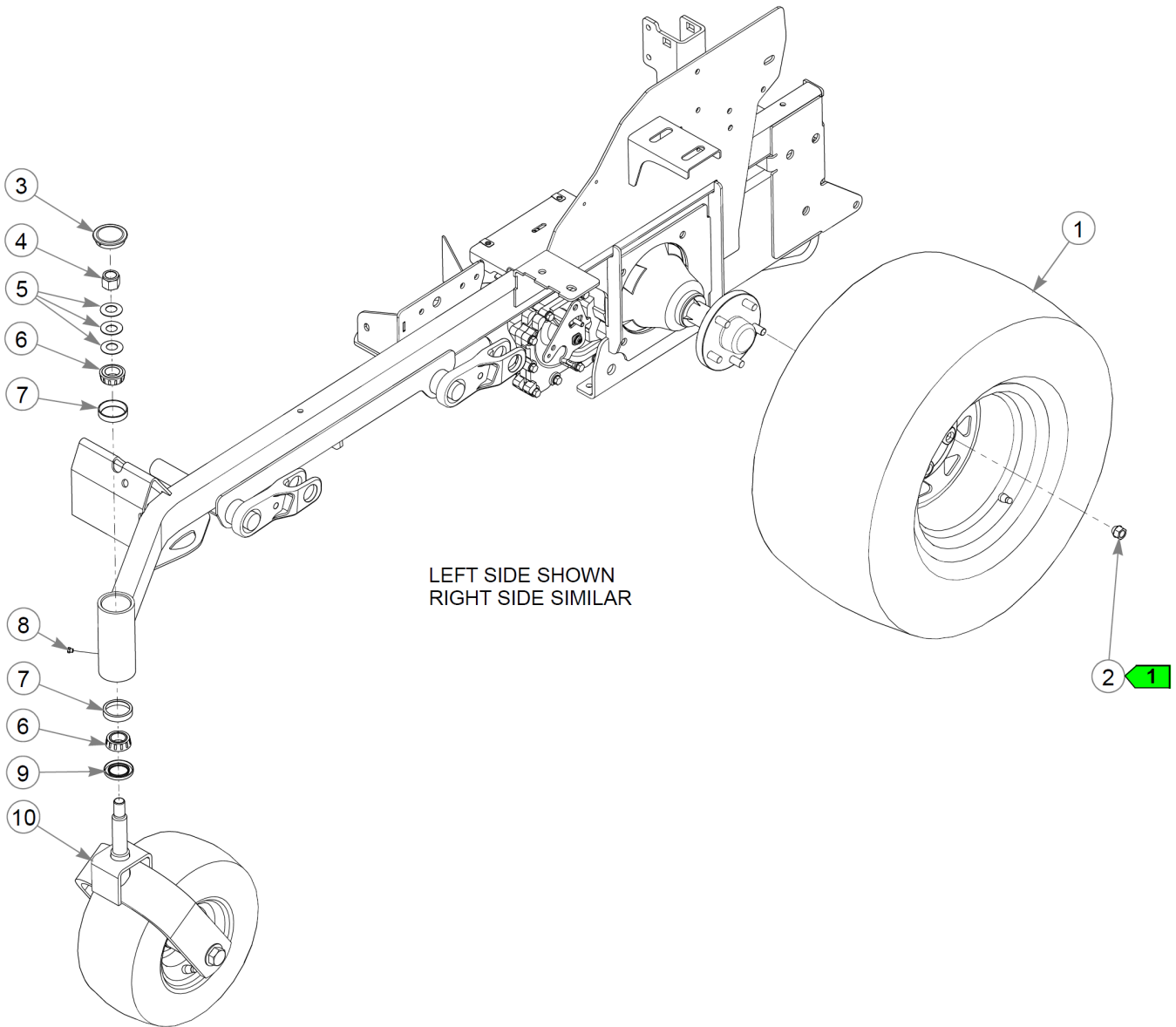
RIGHT SIDE SHOWN
LEFT SIDE SIMILAR



Item	Part No.	Qty	Name
1	748913	2	CS .375-16x5.50 GR5 ZN
2	767954	8	FW 0.379X.82X.06 HD ZN
3	086660	8	NT .375-16NLG8
4	765339	8	BUSHING,IGUS#0608 (FS)
5	023655	4	NT 0.312-24 NL G8
6	768523	6	FW .343 SAE
7	609133	2	BRAKE ROD ASSEMBLY
8	129255-6	1	W/A, BELLCRANK RH
9	129253-6	1	W/A BELLCRANK, LH
10	609132	2	CABLE, PUSH-PULL
11	607093	4	CP, RUE RING .054 X .392
12	000331	4	WIRE TIE, SMALL/SHORT
13	601822	2	NUT PLATE, .420 CENTERS
14	781211	2	SWITCH, PUSH BUTTON
15	063198	4	CS #10-24X0.750FLKG5
16	129045-4	2	W/A, BRAKE PIVOT
17	609059	2	CS .375-16X7.50 GR5 ZN
18	016899	4	NT .375-16 FLKG5
19	129048-6	2	BRACKET, BRAKE PIVOT
20	025395	4	CB .375-16X 1.00 G5 ZN
21	054502	2	NT .375-16HXG5
22	712919	2	FW 0.406X1.00X.12 HD ZN
23	608946	2	SPRING, COMPRESSION
24	608837-4	2	PIVOT BLOCK
25	608985	2	LOCK COLLAR, .375 ID
26	079186	2	CS .312-18X1.250HXG5
27	129257-4	1	W/A, BRAKE LEVER RH
	129258-4	1	W/A, BRAKE LEVER LH
28	781294	2	CLIP E, 1.00 X.625X .05
29	016832	2	NT .312-18FLKG5
30	608831	2	BRAKE ROD ASSEMBLY
31	080655	2	CS .375-16X1.500HXG5

Comments for Page: Brake (Multi-Page)

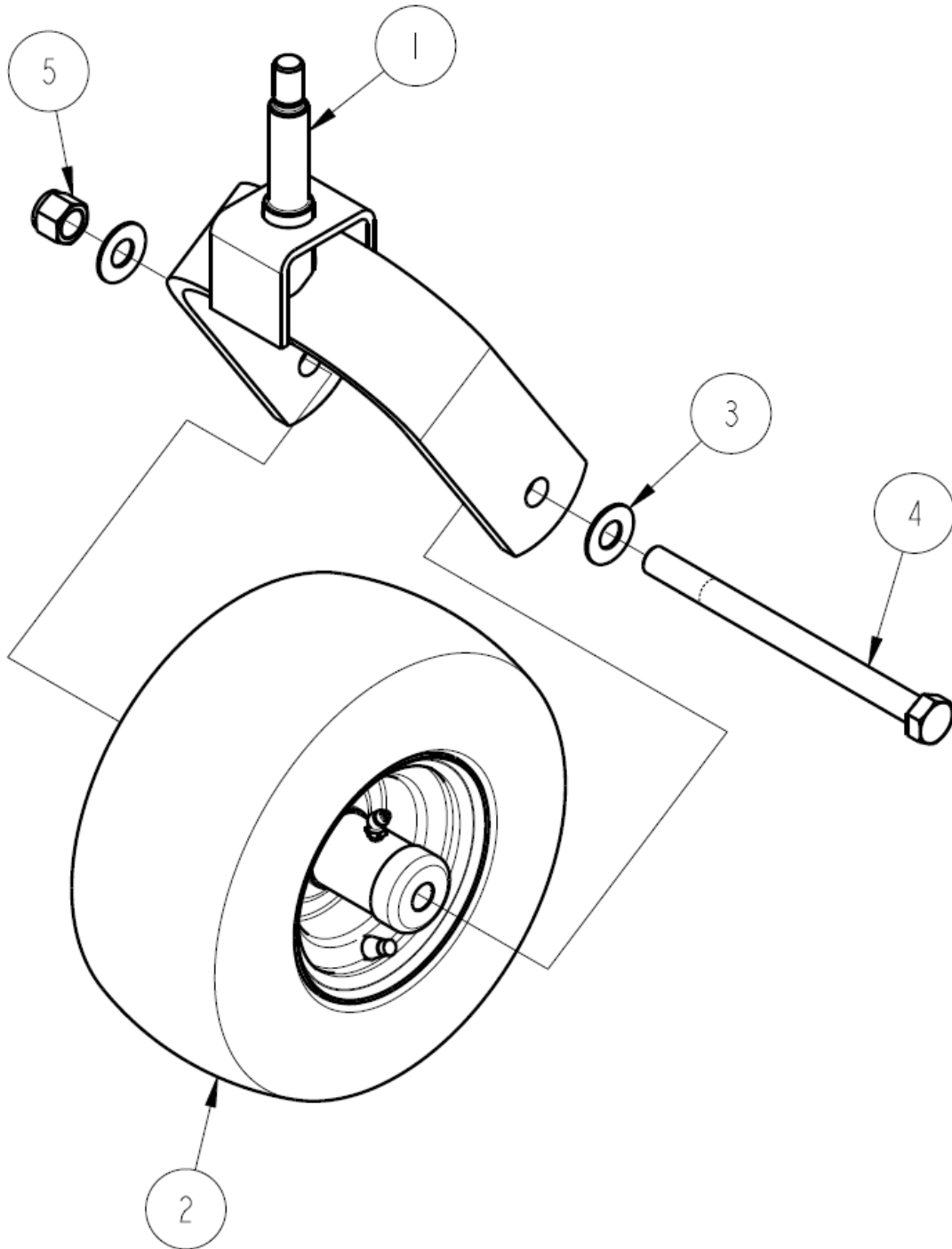
1. Do not torque; the nut should be snug but allow the brake bellcrank to pivot freely.



Item	Part No.	Qty	Name
1	607539	2	TIR/WHL 26X12.00-12 BLK
2	061077	10	WHEEL NUT
3	608751	2	DUST CAP, BLACK
4	061101	2	NT .750-10 HX ZN NL GR B
5	606715	6	CW 0.766 X 1.50 X .093
6	606712	4	BEARING, TAPERED ROLLER
7	606713	4	RACE, TAPERED ROLLER
8	606817	2	GREASE PLUG
9	606714	2	SEAL, 1.25 X 1.98
10	N/A	2	REFER TO FRONT WHEEL ASSEMBLY

Comments for Page: Wheels & Tires

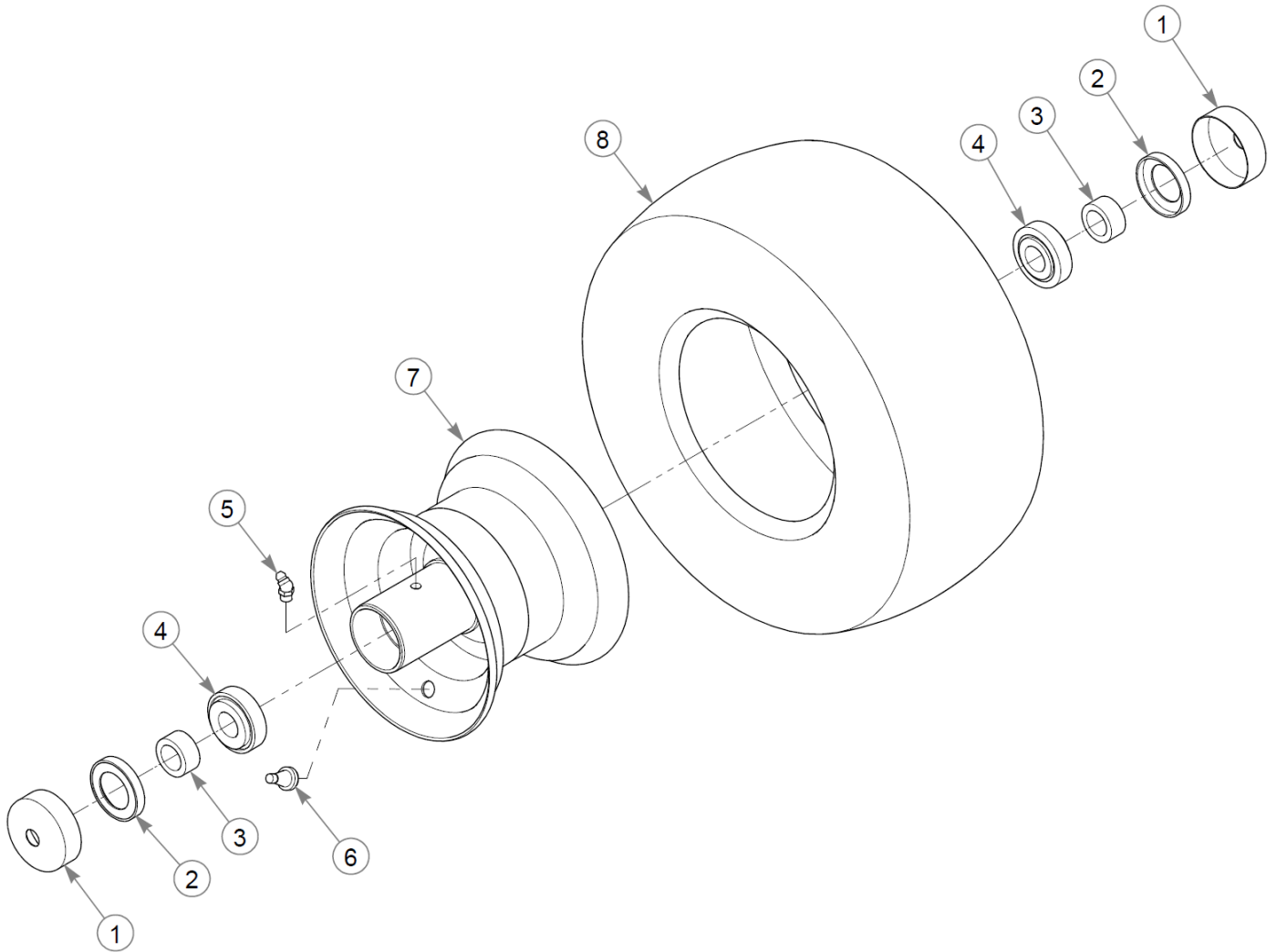
1. Torque to 65–75 ft-lbs.



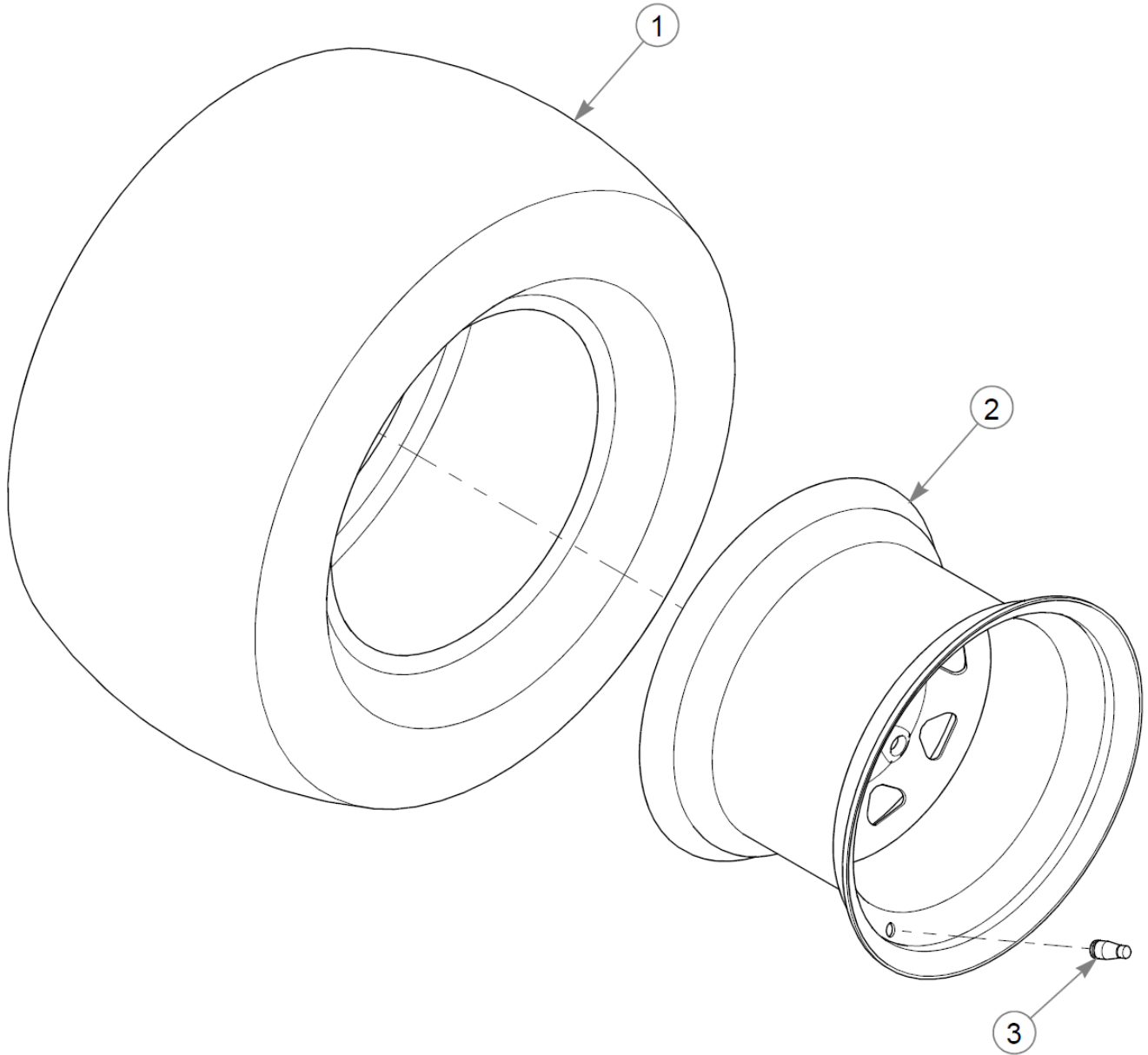
Front Wheel & Fork

60" X-RIDE Parts Manual - 944074 -
HTHXR060KAWFX820VEFIA

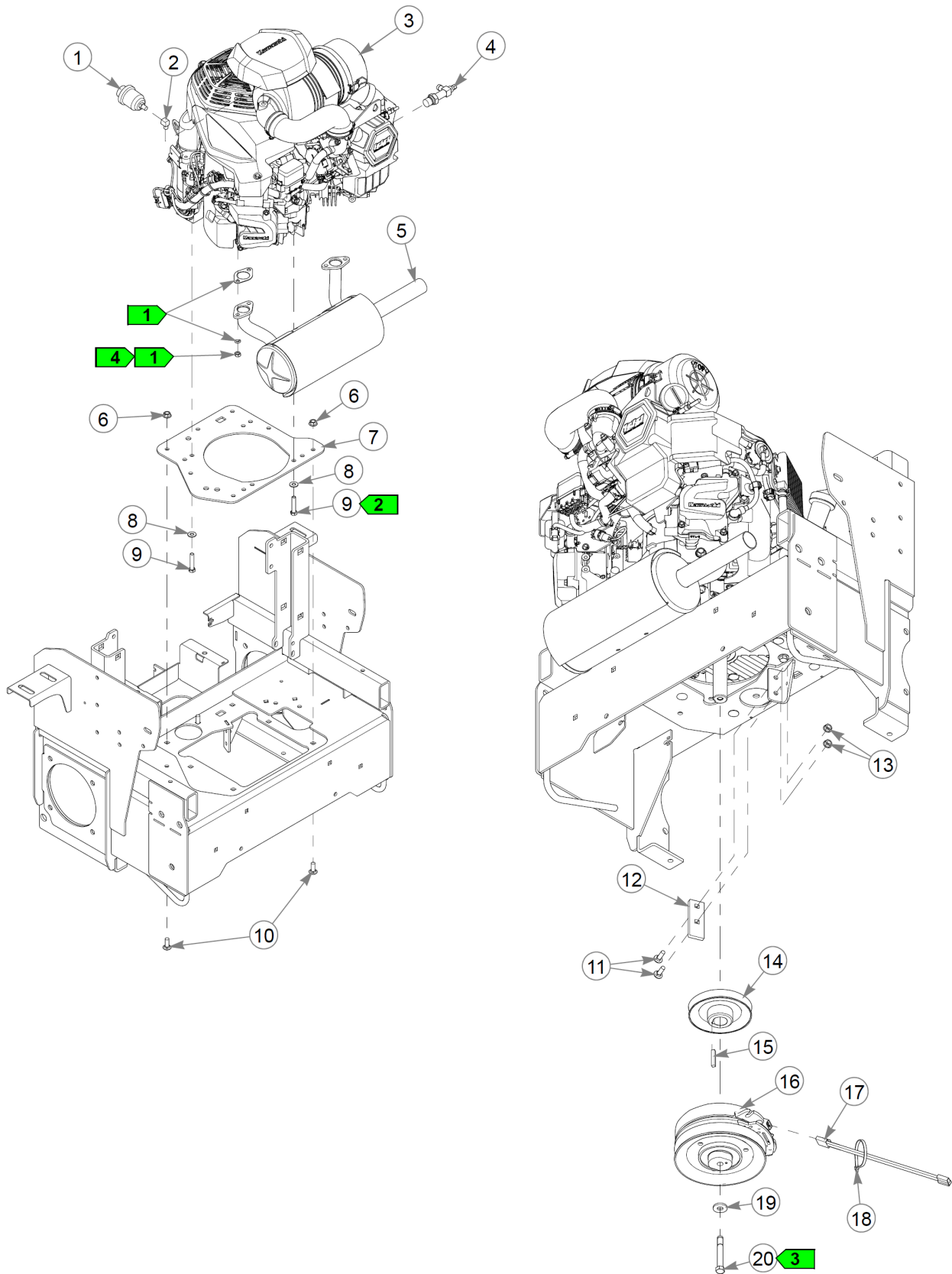
Item	Part No.	Qty	Name
1	123644-6	1	W/A, CASTER FORK
2	606745	1	TIR/WHL 13X6.50-6 BLK
3	025296	2	FW .760X1.63X0.08 ZN
4	041475	1	CS .750-10X9.50 HX G5 ZN
5	061101	1	NT .750-10 HX ZN NL GR B



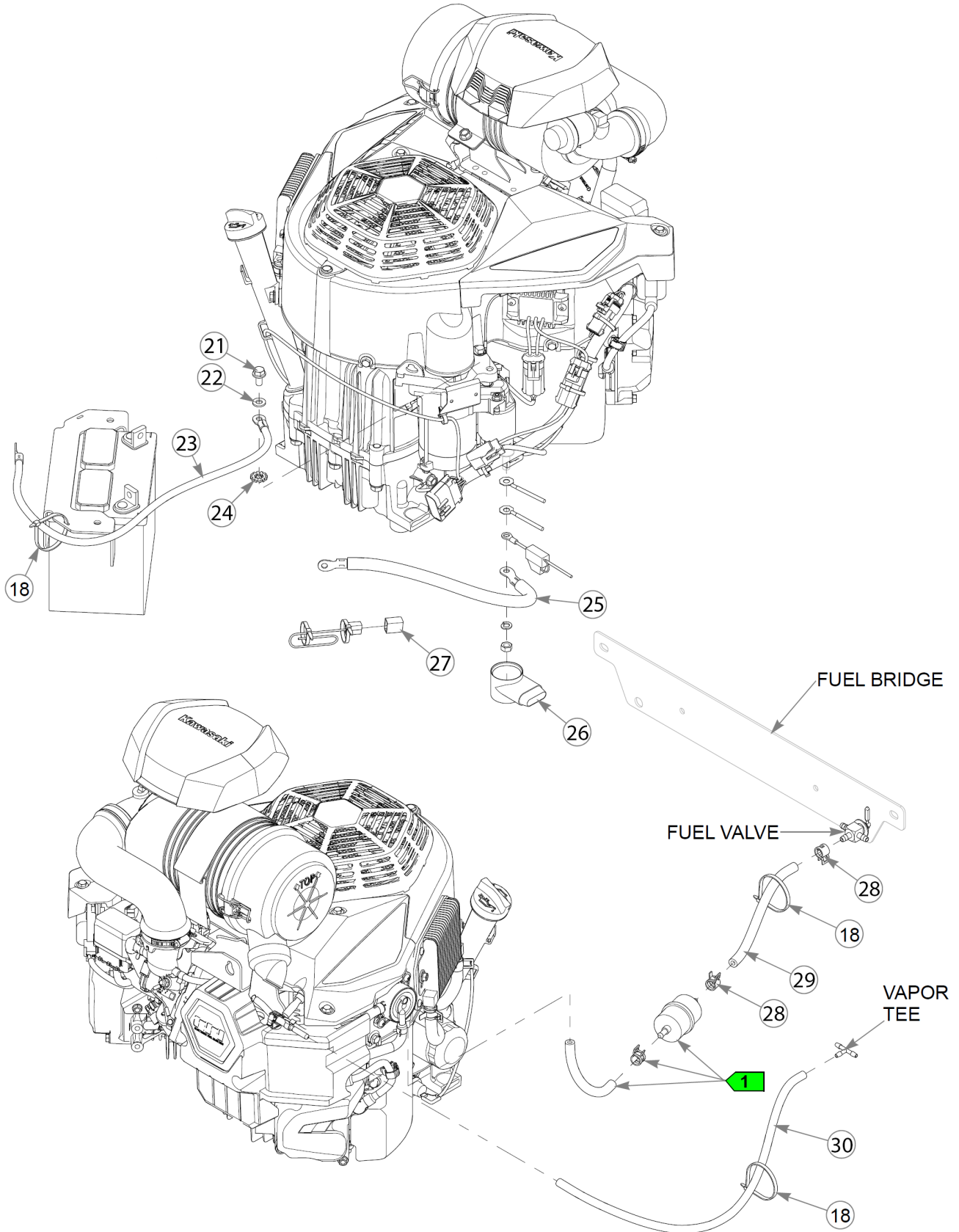
Item	Part No.	Qty	Name
1	606815	2	DUST CAP, 0.752 ID
2	606780	2	SEAL
3	606778	2	SPACER, 0.531
4	606753	2	BEARING, TAPERED ROLLER
5	606126	1	GREASE FITTING, M8X1.0
6	019521	1	TIRE VALVE TR-412 GOODY
7	606752	1	WHL 6X4.50 BLK
8	604843	1	TIR 13X6.50-6 B4R SMTH



Item	Part No.	Qty	Name
1	606967	1	TIR 24X12.00-12 B4R GRMR
2	606498	1	WHL 12X8.50 5X4.5 BLK
3	019521	1	TIRE VALVE TR-412 GOODY



This page intentionally left blank



Item	Part No.	Qty	Name
1	788943	1	AIR FILTER INDICATOR
2	601216	1	FTG, ELBOW, STREET
3		1	ENGINE, FX820V EVO
4	796524	1	VALVE,OIL DRAIN M20x2.5
5	609051	1	MUFFLER, FX820V
6	016899	7	NT .375-16 FLKG5
7	128400-4	1	SUPPORT - ENGINE
8	767954	4	FW 0.379X.82X.06 HD ZN
9	607116	4	CS 0.375-16X1.750 G8 P85
10	025395	7	CB .375-16X 1.00 G5 ZN
11	037887	2	CB .312-18X 1.000 FUL ZN
12	129058-1	1	CLUTCH ANCHOR
13	016832	2	NT .312-18FLKG5
14	609037	1	PULLEY, DRIVE
15	212076	1	KEY 1/4 SQ X 1.50 LG(FS)
16		1	CLUTCH KIT
17	791251	1	HARNES, CLUTCH PIGTAIL
<p>Comments for Part Num. 791251</p> <p>Pigtail was updated with epoxy to hold the wires steady. The wire sheath was also updated to a more flexible material.</p>			
18	000331	4	WIRE TIE, SMALL/SHORT
19	602680	1	FW .453X1.12X.12 HRD ZN
20	785048	1	CS .437-20X3.00 HXG5 P85
21	720516	1	CS M8-1.25X16HX FL10.9
22	768523	1	FW .343 SAE
23	780015	1	BATTERY CABLE, (-) ES W
24	029876	1	LW .312 INTEXT ZN
25	601062	1	BATTERY CABLE, POS.
26	609182	1	BOOT, RED
27	789131	1	CAP, HUSTLRZ FAN CON(FS)
28	000323	2	CLIP, HOSE CLAMP
29	015818P	1	FUEL LINE, 1/4" - 6 FT
30	603326P	1	VAPOR LINE, 3/16" - 7 FT

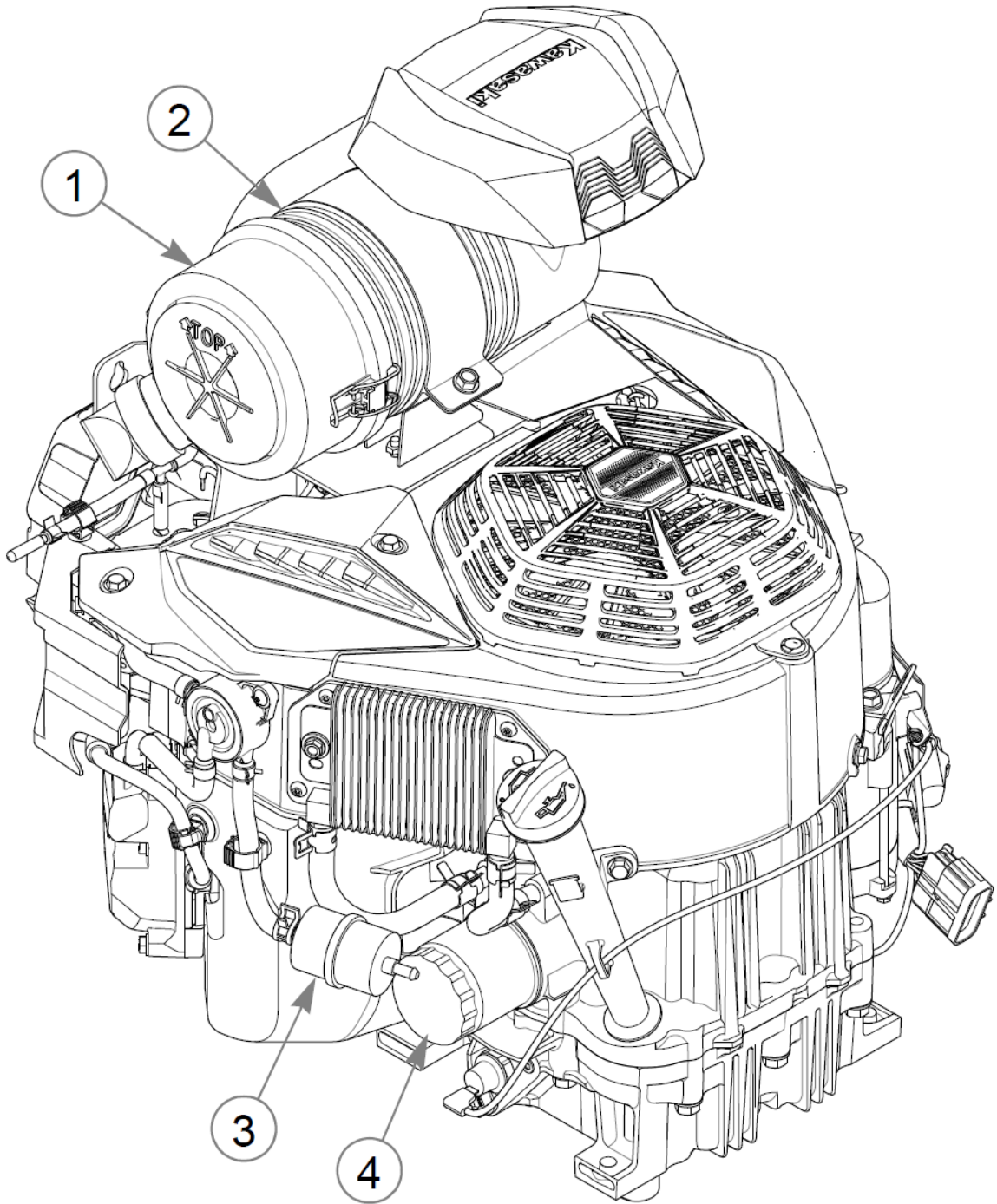
Comments for Page: Engine, Muffler, Clutch & Fuel System

Engine, Muffler, Clutch & Fuel System

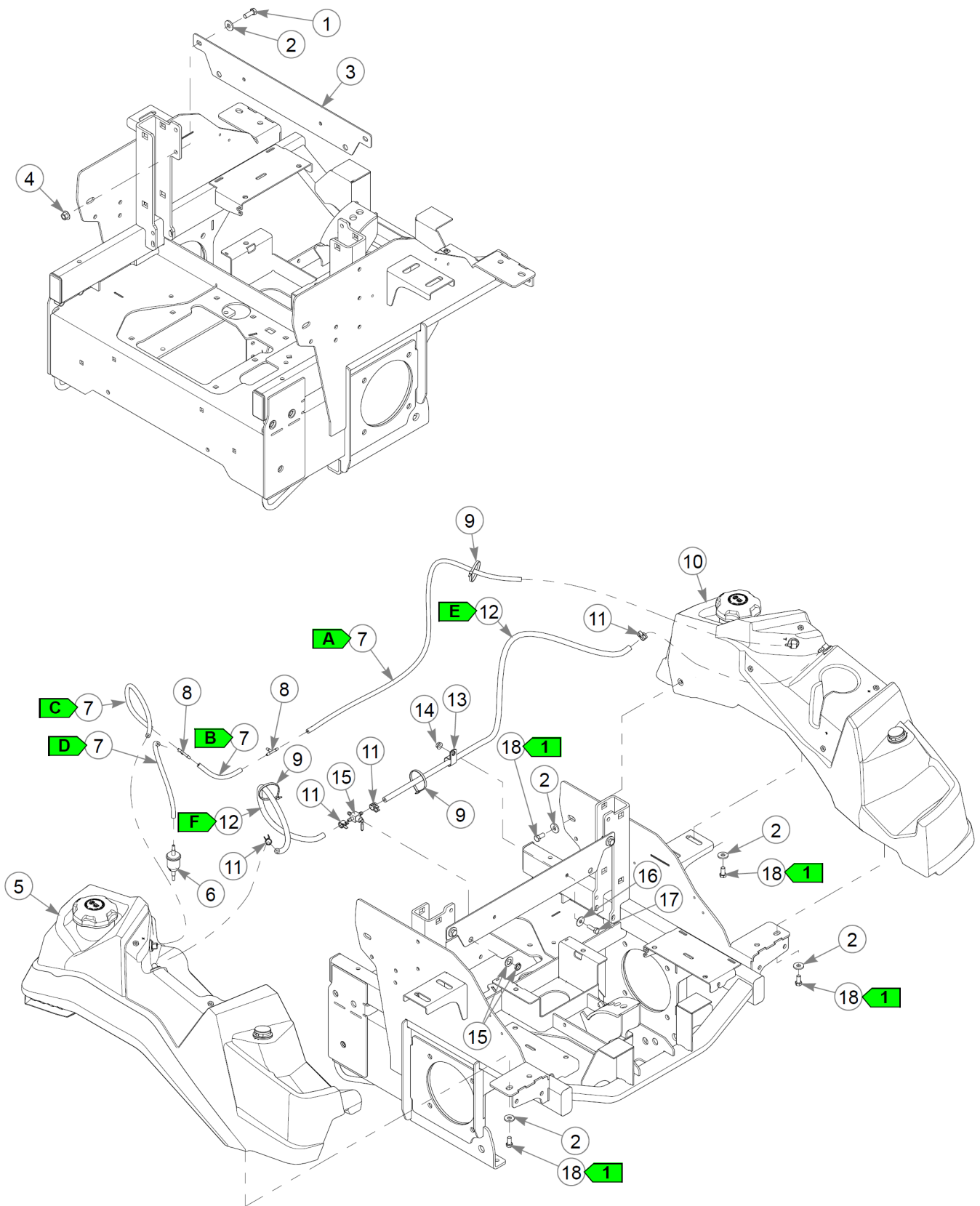
60" X-RIDE Parts Manual - 944074 -
HTHXR060KAWFX820VEFIA

1. Supplied with the engine.
2. Torque to 44 ft-lbs. Replace (do not reuse) the cap screw if it is removed or loosened.
3. Torque to 45–48 ft-lbs. Replace (do not reuse) the cap screw if it is removed or loosened.
4. Torque to 17 ft-lbs.

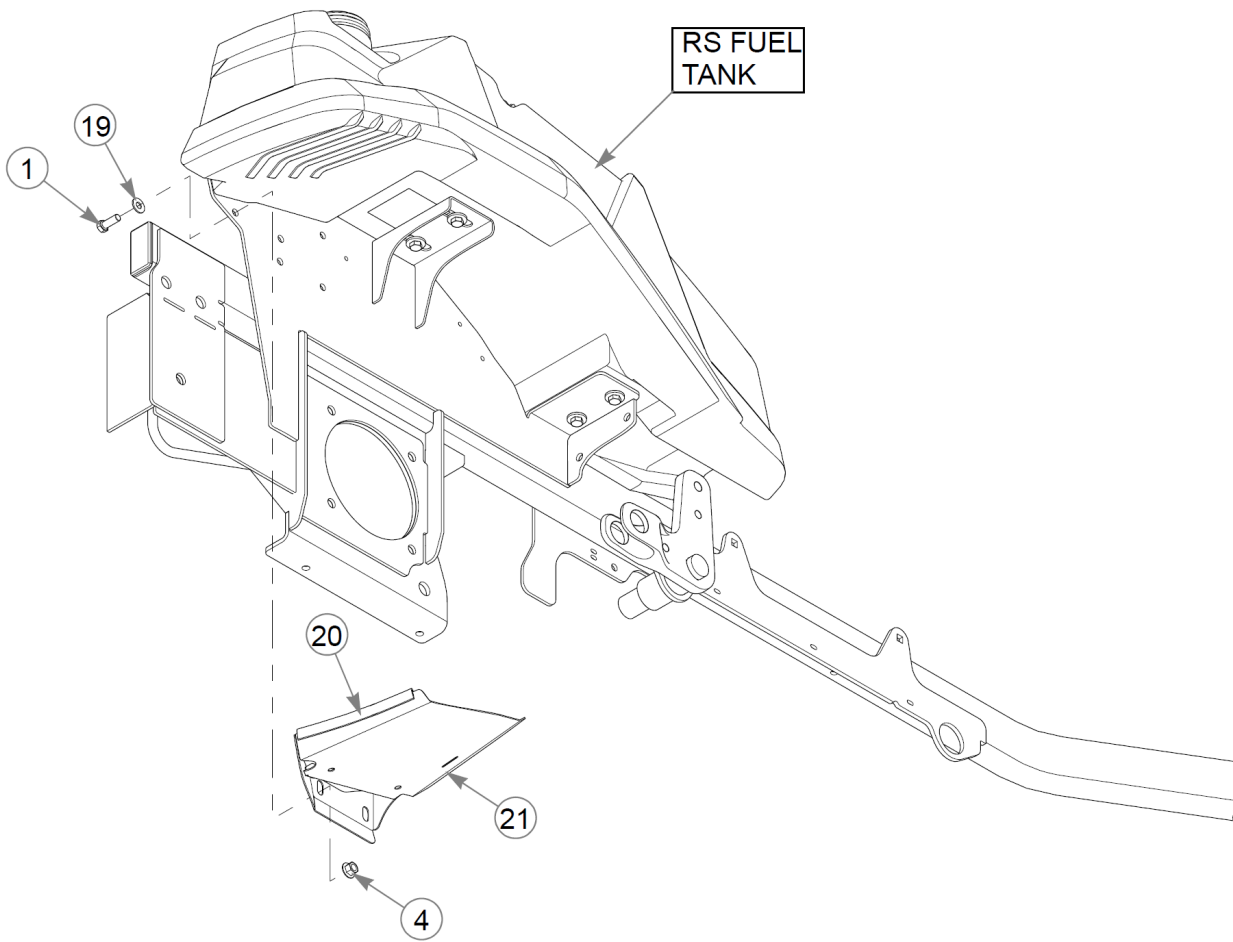
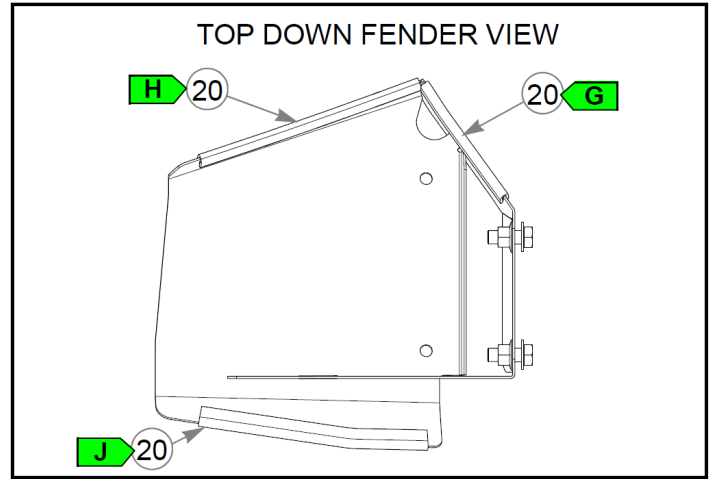
This page intentionally left blank



Item	Part No.	Qty	Name
1	785261	1	AIR FILTER - MAIN
2	785279	1	AIR FILTER - SAFETY
3	604558	1	FILTER, KAWASAKI FUEL
4	603138	1	ENGINE OIL FILTER



This page intentionally left blank



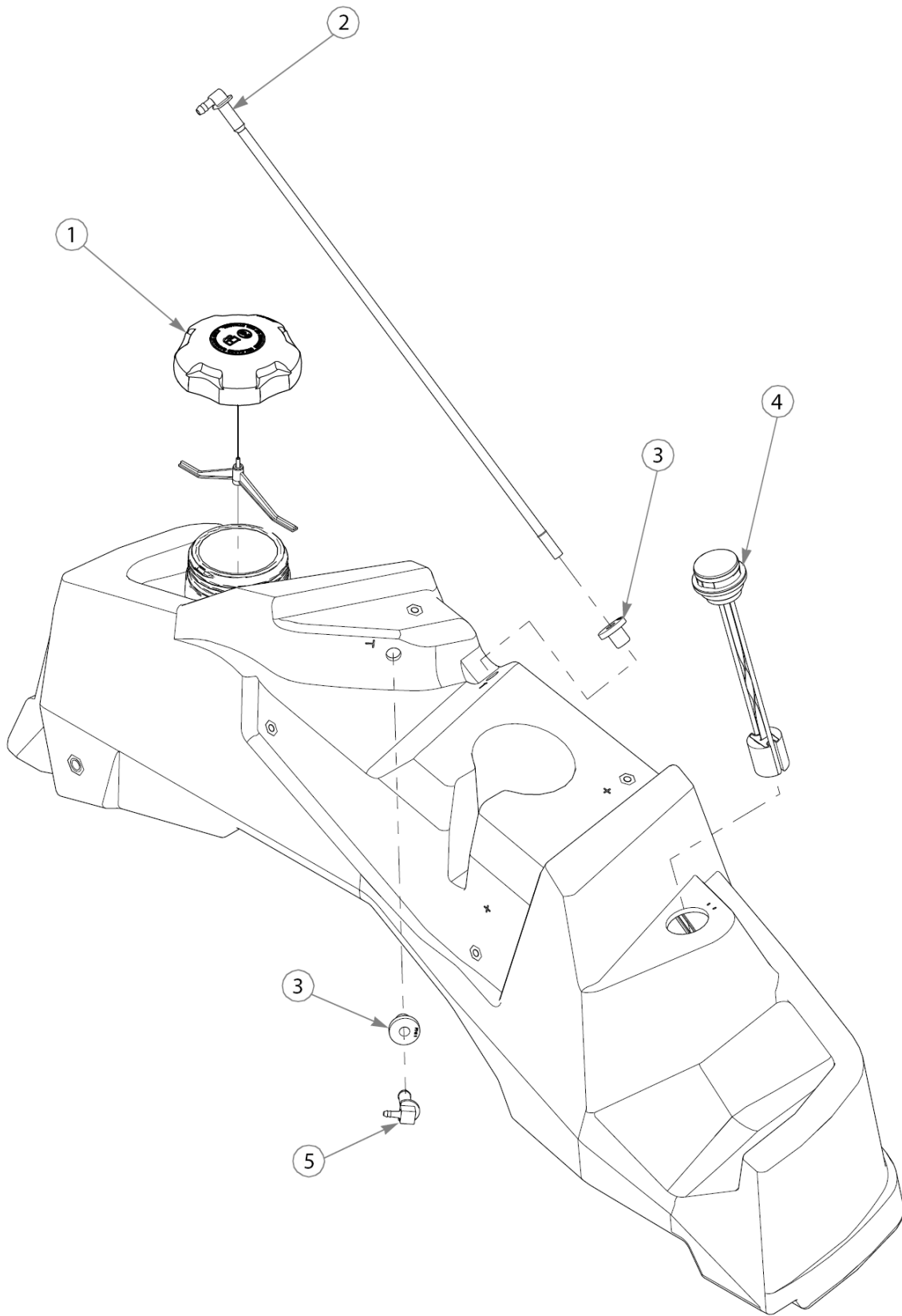
Item	Part No.	Qty	Name
1	036244	4	CS .375-16X1.00 HX G5 ZN
2	712919	12	FW 0.406X1.00X.12 HD ZN
3	129057-1	1	FUEL BRIDGE
4	604515	4	NT .375-16 FL NY GF
5	608682	1	FUEL TANK ASSY, RIGHT
6	604323	1	VAPOR SYSTEM FILTER
7	603326P	1	VAPOR LINE, 3/16" - 7 FT
8	604281	2	TEE, 3/16" PLASTIC
9	000331	3	WIRE TIE, SMALL/SHORT
10	608681	1	FUEL TANK ASSY, LEFT
11	000323	4	CLIP, HOSE CLAMP
12	015818P	1	FUEL LINE, 1/4" - 6 FT
13	043570	1	CLIP - HOSE - SINGLE(FS)
14	016832	1	NT .312-18FLKG5
15	745059	1	FUEL VALVE 3-WAY
16	079210	1	FW 0.344X1.0X0.06 ZN
17	036236	1	CS .312-18 X 1.000 HX G5
18	055822	10	CS .375-16X0.75 HX G5 ZN
19	767954	2	FW 0.379X.82X.06 HD ZN
20	033001P	1	FLEX TRIM UNI-GRIP - 3 FT
21	128980-6	1	FENDER WA

Comments for Page: Fuel System

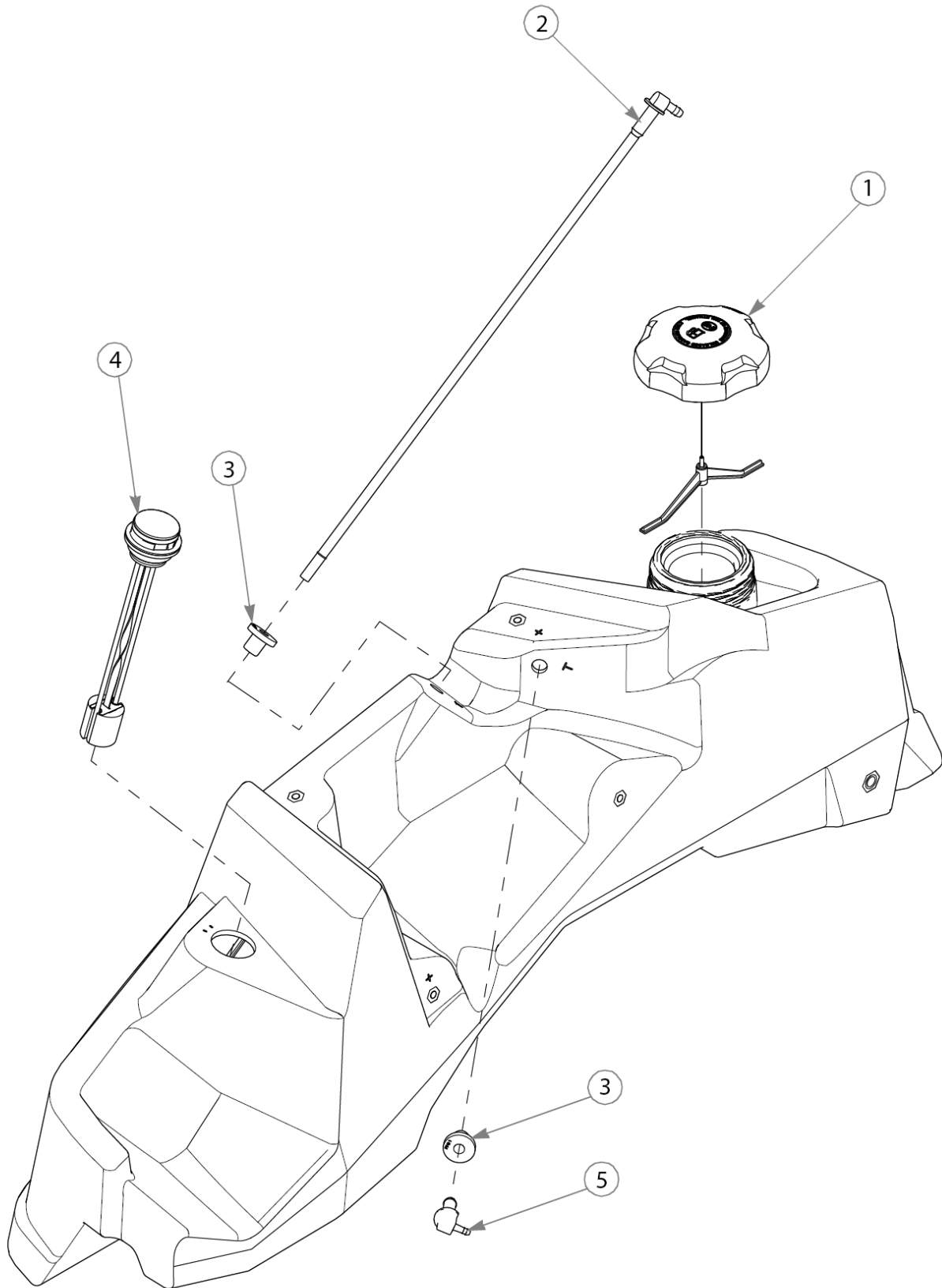
1. Torque to 16 ft-lbs.

FUEL, VAPOR, AND TRIM LENGTHS

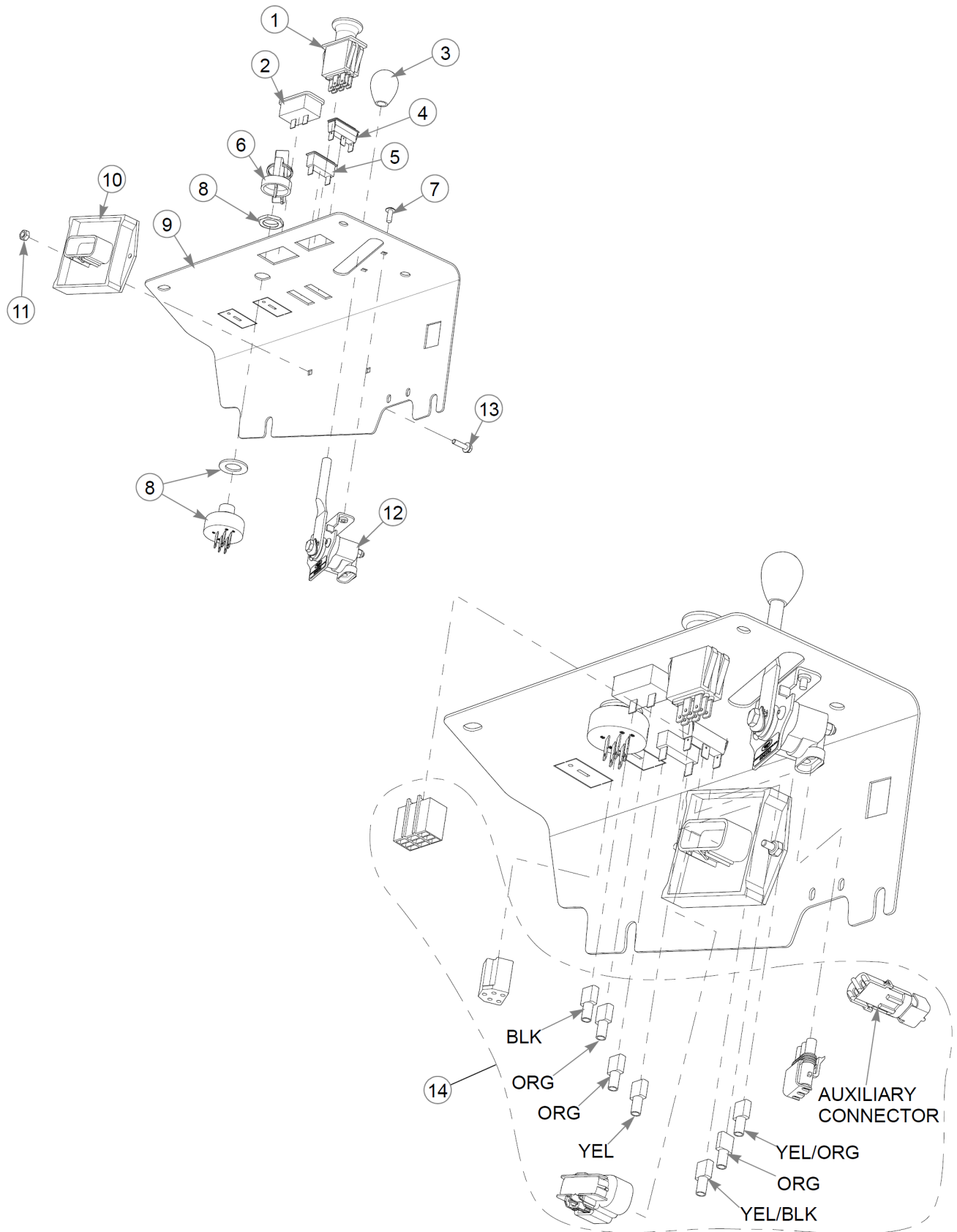
- A. 34" LEFT TANK TO TEE (VAPOR)
- B. 4" TEE TO TEE (VAPOR)
- C. 15" RIGHT TANK TO TEE (VAPOR)
- D. 10" TEE TO FILTER (VAPOR)
- E. 38" LEFT TANK TO VALVE (FUEL)
- F. 22" RIGHT TANK TO VALVE (FUEL)
- G. 4" FLEXIBLE TRIM
- H. 6.5" FLEXIBLE TRIM
- J. 6.5" FLEXIBLE TRIM



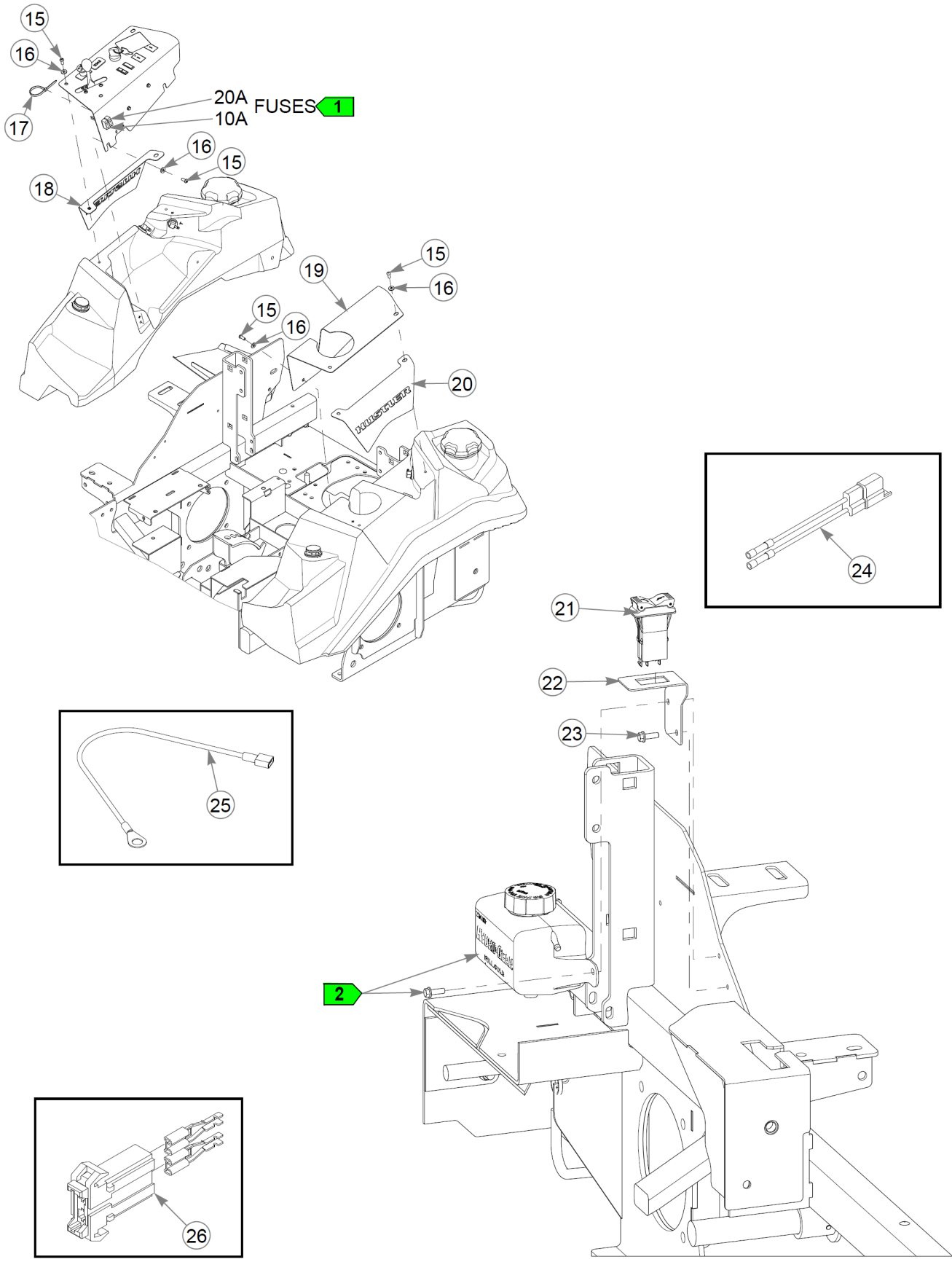
Item	Part No.	Qty	Name
	608681		FUEL TANK ASSY, LEFT
1	608995	1	CAP - RATCHET 350
2	607149K	1	SUCTION HOSE SVC KIT
3	604200K	2	GROMMET SVC KIT
4	608497	1	GAUGE, FUEL
5	604287K	1	VENT FITTING SVC KIT



Item	Part No.	Qty	Name
	608682		FUEL TANK ASSY, RIGHT
1	608995	1	CAP - RATCHET 350
2	607149K	1	SUCTION HOSE SVC KIT
3	604200K	2	GROMMET SVC KIT
4	608497K	1	SVC KIT, FUEL GAUGE
5	604287K	1	VENT FITTING SVC KIT



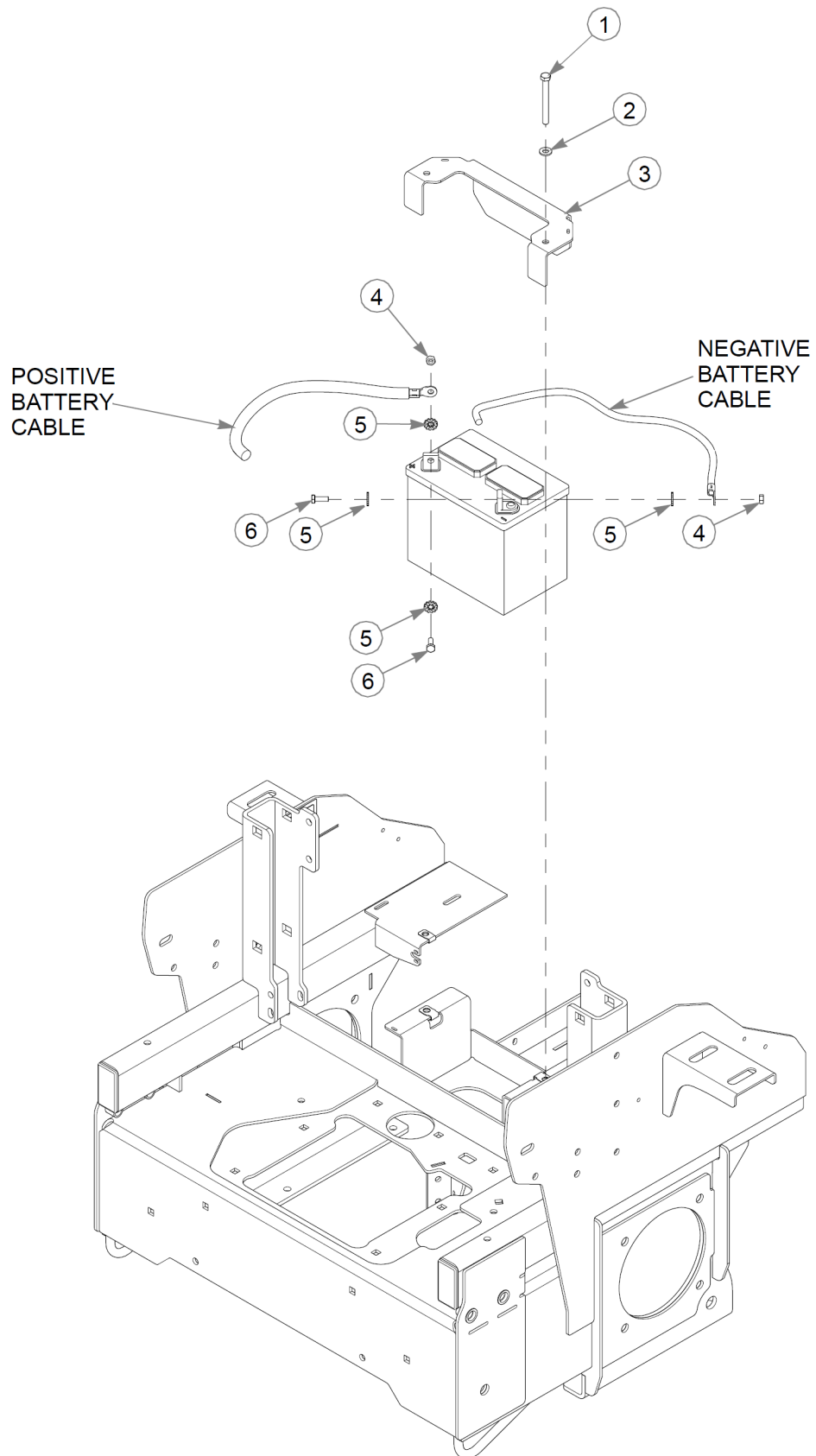
This page intentionally left blank



Item	Part No.	Qty	Name
1	776476	1	SWITCH, PTO 6201-321
2	769166	1	HOUR METER
3	603523	1	KNOB
4	608393	1	LIGHT, RED/AMBER
5	712257	1	INDICATOR LIGHT, RED(FS)
6	785808	1	KEY ASSEMBLY
7	606851	2	CS 10-24X .500 PH SH ZN
8	045898	1	IGNITION SWITCH
9	129050-1	1	INST PANEL
10	604373	1	RELAY CONTROL MODULE
11	059832	2	NT #10-24 HX NL ZN
12	606592	1	THROTTLE CONTROL, EFI
13	063198	2	CS #10-24X0.750FLKG5
14	608609	1	WIRE HARNESS, SZ
15	608598	8	CS .250-20 X .625 BH TX
16	605628	8	FW 0.281X.63X.07 ZB
17	000430	7	WIRE TIE, SMALL/LONG
18	128427-1	1	PANEL, LOGO - RH
19	128425-1	1	COVER, CUP HOLDER
20	128426-1	1	PANEL, LOGO - LH
21	608492	1	USB PORT DUAL CHARGE
22	129251-1	1	USB BRACKET
23	604324	1	CS .250-20 X .75 HX FLG
24	114052	1	KIT, CLUTCH CONN. REP.
25	604430	1	WIRE HARNESS
26	601047	1	HOLDER, FUSE

Comments for Page: Instrument Panel (Multi-Page)

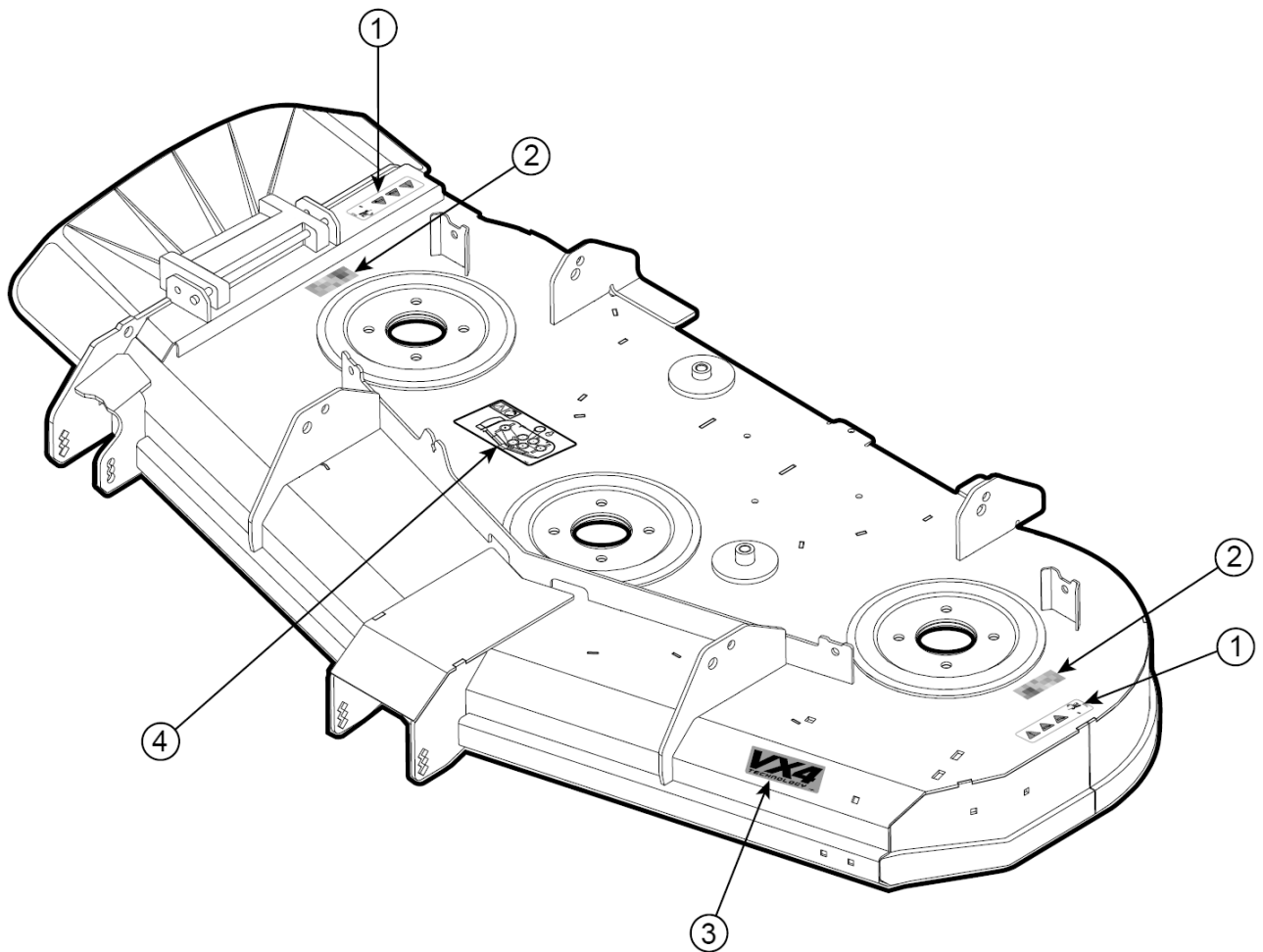
1. Part of the wire harness.
2. Part of the Hydro Install.



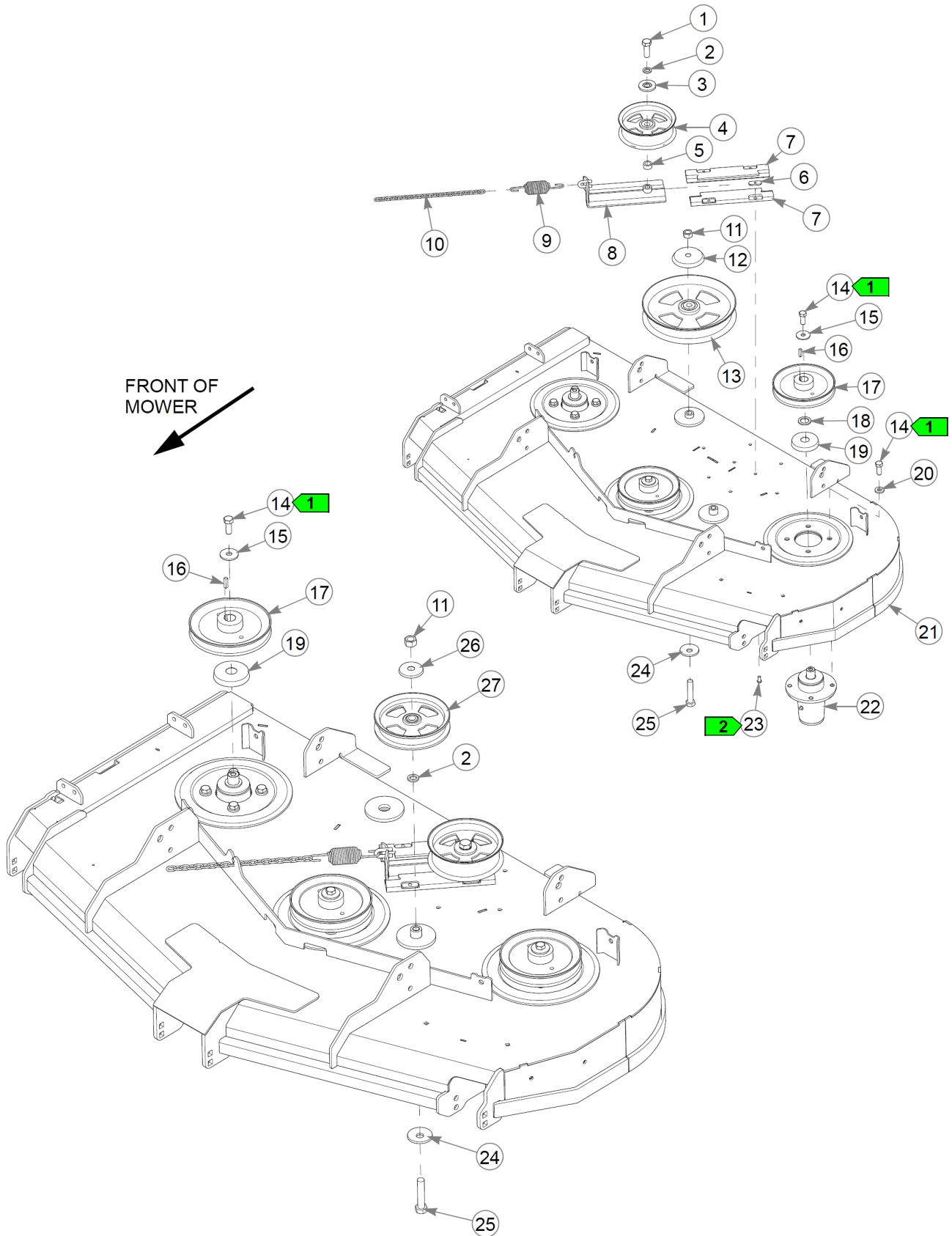
Battery

60" X-RIDE Parts Manual - 944074 -
HTHXR V060KAWFX820VEFIA

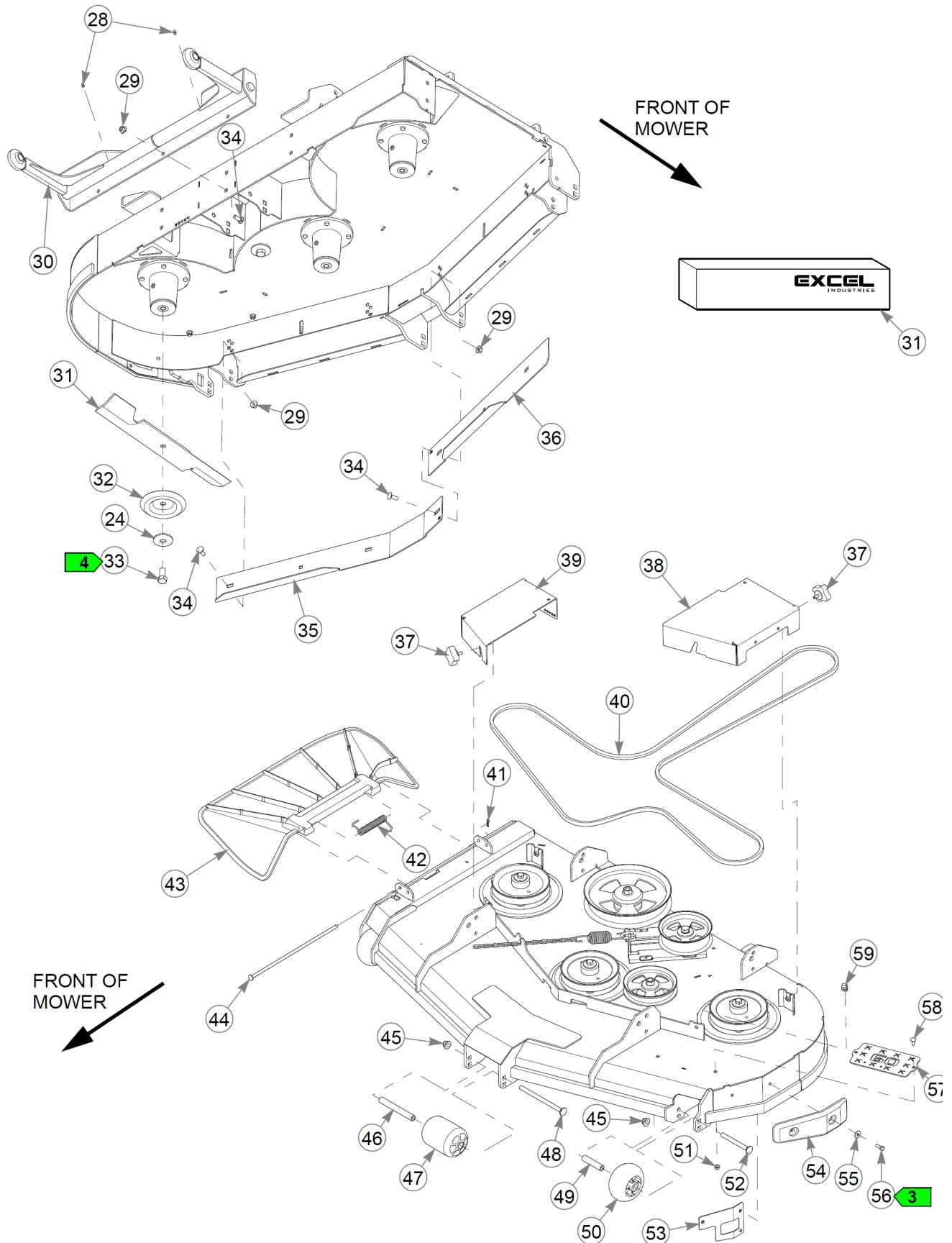
Item	Part No.	Qty	Name
1	043067	2	CS .312-18X3.000HXG5
2	768523	2	FW .343 SAE
3	129563-6	1	BATTERY STRAP, U1
4	024927	2	NT .250-20HXG5
5	029868	4	LW .250 INTEXT ZN
6	055939	2	CS .250-20X0.75 HX G5 ZN
7	000331	2	WIRE TIE, SMALL/SHORT



Item	Part No.	Qty	Name
1	777S41388B	2	LBL:PRO DECK
2	777S35693A	2	LBL:WARNING DECK
3	777D37361	1	LBL:DECK:VX4
4	777I29867	1	LBL:COMM



This page intentionally left blank



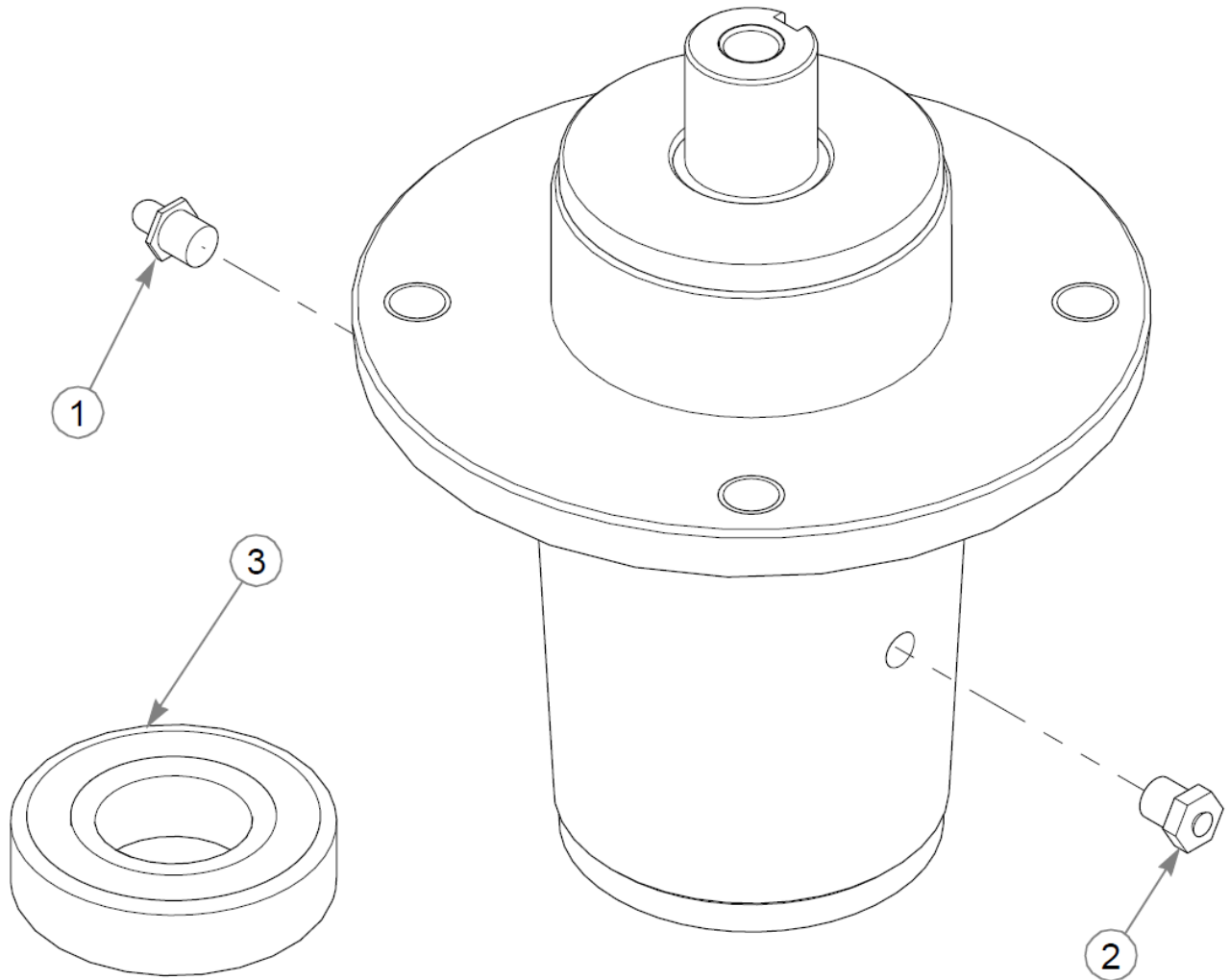
Item	Part No.	Qty	Name
1	025007	1	CS .62511X1.750HXG5
2	028118	2	FW 0.625X1.00X.13 ZN
3	603057	1	DUST SHIELD W/OFFSET
4	607448	1	IDLER, 6" TALL
5	603256	1	SPACER DECK IDLER 1/2"LG
6	603023	4	WN .312-18 ZN
7	602936	2	IDLER SLIDE, UHMW
8	350884	1	SLIDE, DECK IDLER
9	781302	1	IDLER SPRING
10	373191	1	CHAIN, 21 LINK
11	016972	2	NT .625-11 HX G5 ZN
12	602963	1	DUST SHIELD, IDLER LG
13	602743	1	IDLER, 10.0" COMMERCIAL
14	705954	15	CS .500-13X1.25 HX G5 ZN
15	752386	3	CW .505 X 1.625 X .140
16	212472	3	KEY 1/4 SQ X 1.00 LG(FS)
17	602745	3	PULLEY, DRIVE 7.00 EFF
18	045765	3	FW 1.030X1.50X.13 HD ZN
19	607409-4	3	DUST SHIELD
20	767962	12	FW .531 x 1.063 x .175
21	127991-1	1	Deck
22	607407	3	SPINDLE ASSY, DUCTILE
23	603022	4	CS .312-18X.625 BH ZN
24	782474	5	CW .678 X 2.250 X .187
25	783738	2	CS .625-11X3.000HXG5
26	608144	1	SHIELD, DUST
27	602821	1	IDLER, 6.0" COMMERCIAL
28	015495	2	GREASE FITTING STRAIGHT
29	604515	12	NT .375-16 FL NY GF
30	608901	1	PUSHER, W/A X1
31	602771	3	BLADE, F20.50" EHN-F-CW
	794685	3	BLADE, F20.50"-H-F-CW
	793794	3	BLADE,20.50"-L-F-CW
	794214	3	BLADE,20.50"-MUL-F-CW
	794230	3	BLADE,20.50"GAT-F-CW

This page intentionally left blank

Item	Part No.	Qty	Name
32	114988	3	SHIELD, BLADE BOLT
33	781872	3	CS .625-11X1.250HXG5
34	025395	12	CB .375-16X 1.00 G5 ZN
35	123961-1	1	ADJ BAFFLE LS 60" VX4
36	123960-1	1	ADJ BAFFLE RS 60" VX4
37	792002	4	KNOB,5/16-18 X 3/4"MALE
38	128001-6	1	PULLEY COVER, LS
39	128000-6	1	PULLEY COVER, RS
40	606874	1	DECK BELT
41	706549	1	HP0.080X1.190
42	602435	1	SPRING, TORSION
43	602891	1	CHUTE, DISCHARGE LG
44	608776-4	1	PIVOT PIN, DISCHARGE
45	608880	3	NT .50-13 FL NY
46	602344	1	SPACER, ANTI- SCALP 5.73
47	602341	1	WHEEL, ANTI-SCALP
48	602338	1	CB .50-13 X 7.50 STD ZN
49	602345	2	SPACER, ANTI-SCALP 3.22
50	602263	2	WHEEL, ANTI-SCALP
51	608059	2	NT 0.312-18 FL NY G5
52	607288	2	CB .50-13X4.75 STD ZN
53	113563	1	BACKING PLATE W/A
54	602817	1	RUBBER BUMPER
55	079210	2	FW 0.344X1.0X0.06 ZN
56	064014	2	CS .312-18X0.875HXG5
57	128506-6	1	STEP TREAD, 60"
58	608953	2	CB 0.312-18 X 0.750 G5
59	601069	4	CN .312-18x.200 MAX THK

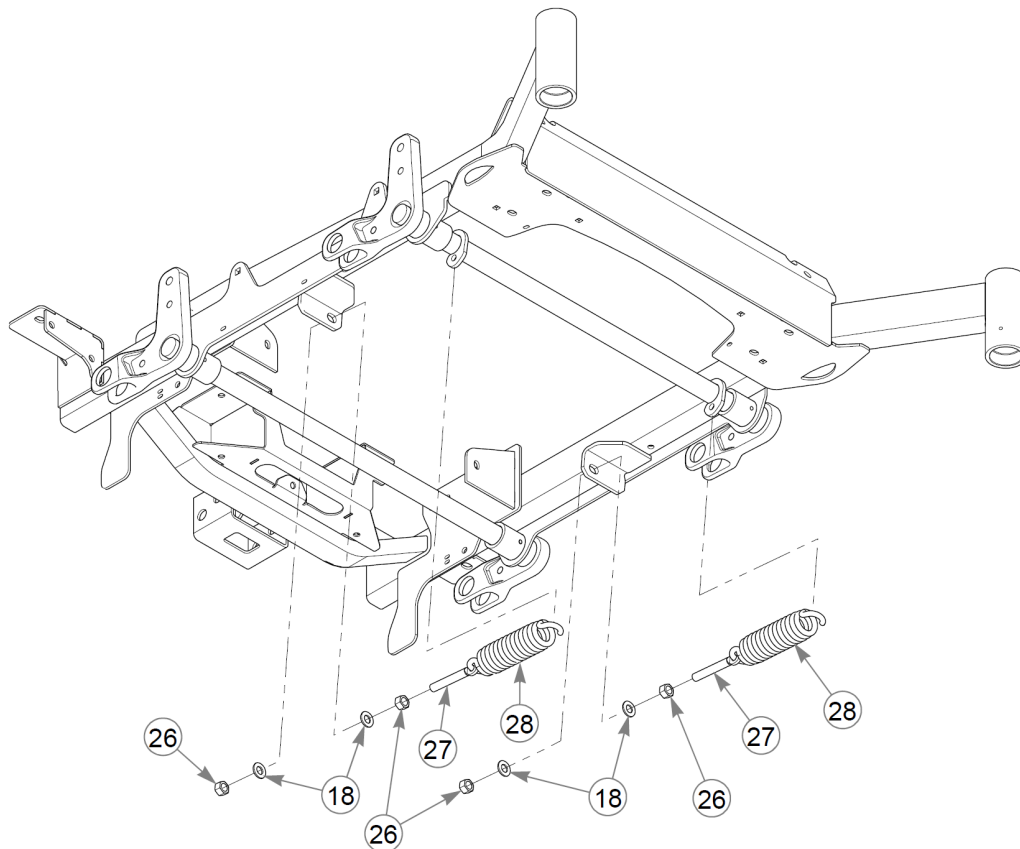
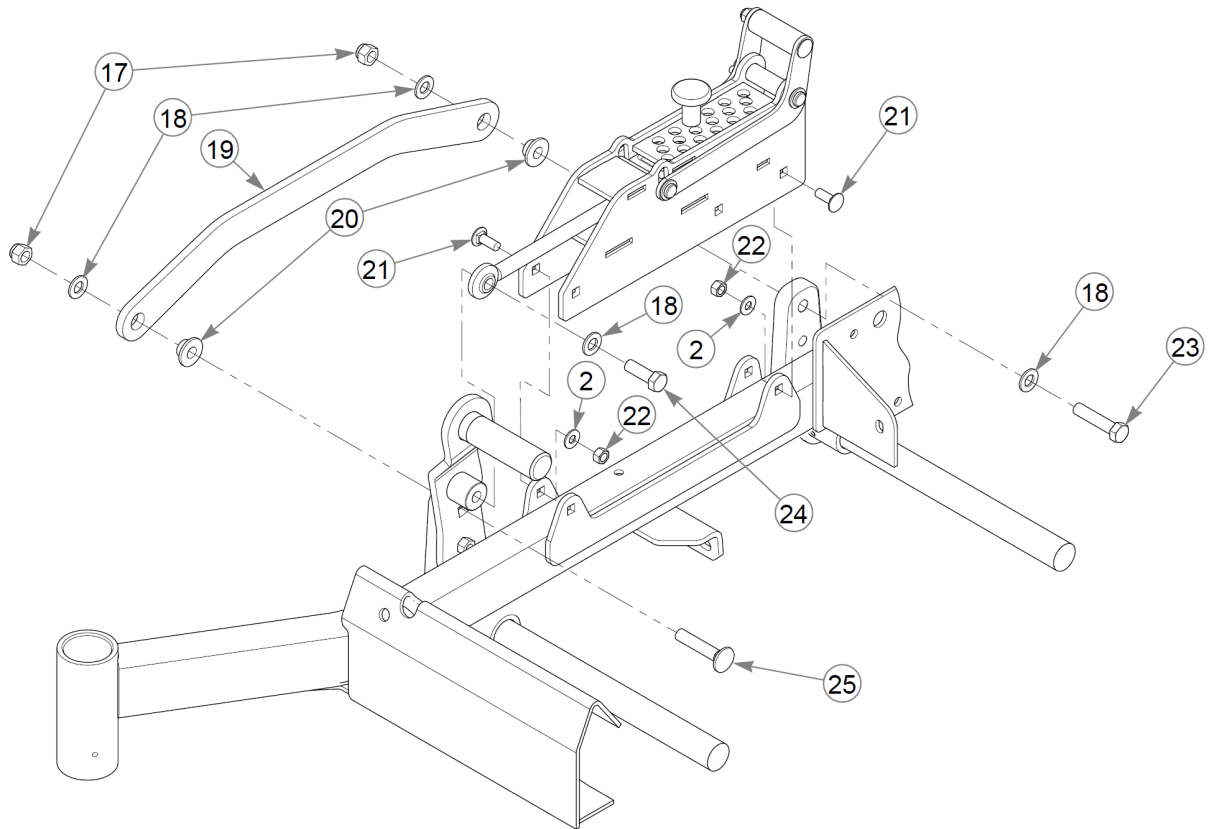
Comments for Page: Deck, Pulleys, Spindles, Deck Belt & Blades (Multi-Page)

1. Torque to 63–73 ft-lbs.
2. Torque to 3–6 ft-lbs.
3. Torque to 10 ft-lbs.
4. Torque to 118 ft-lbs.

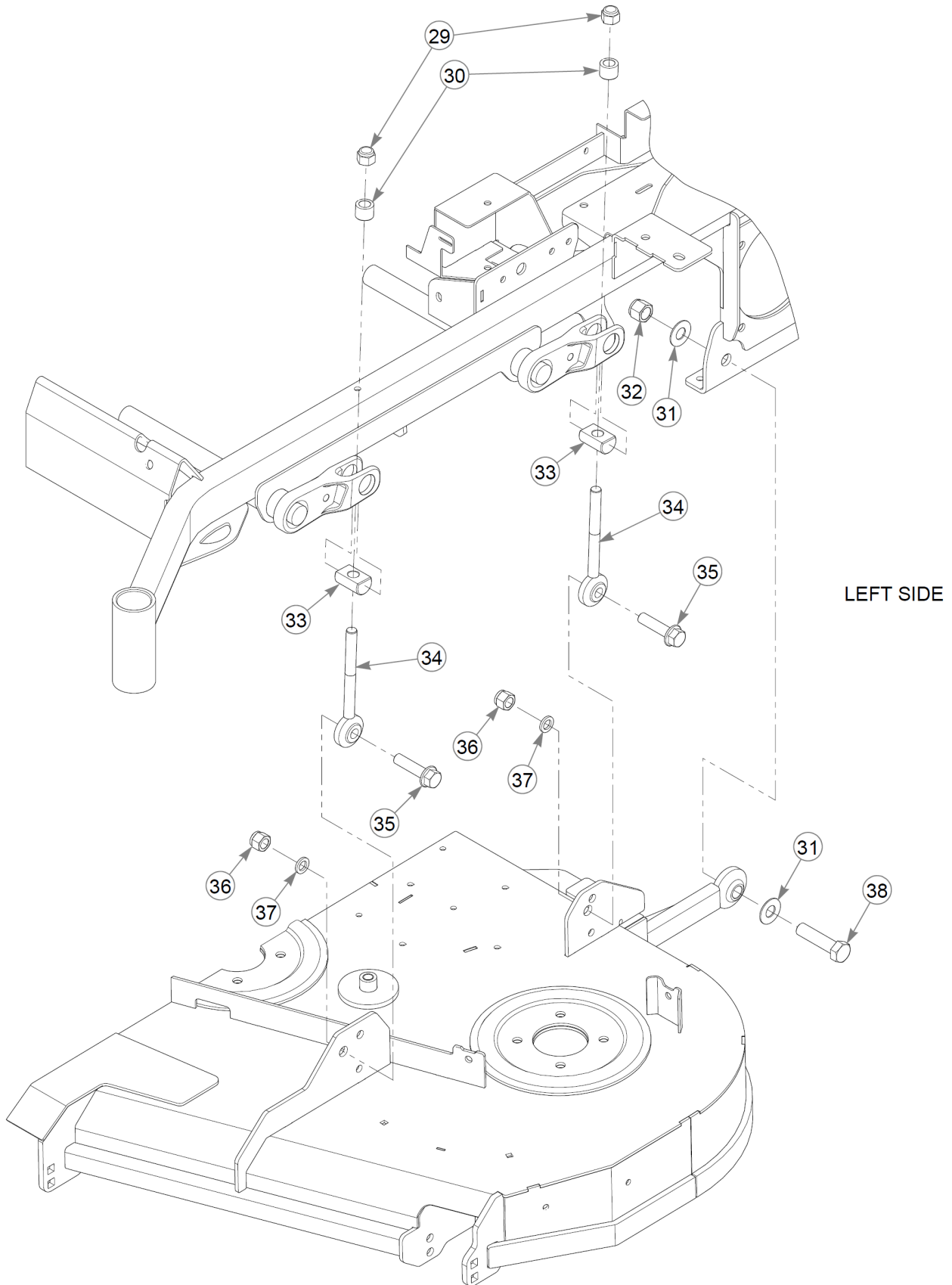


Item	Part No.	Qty	Name
1	607477	1	GREASE ZERK
2	607478	1	RELIEF FITTING
3	607955	2	BEARING

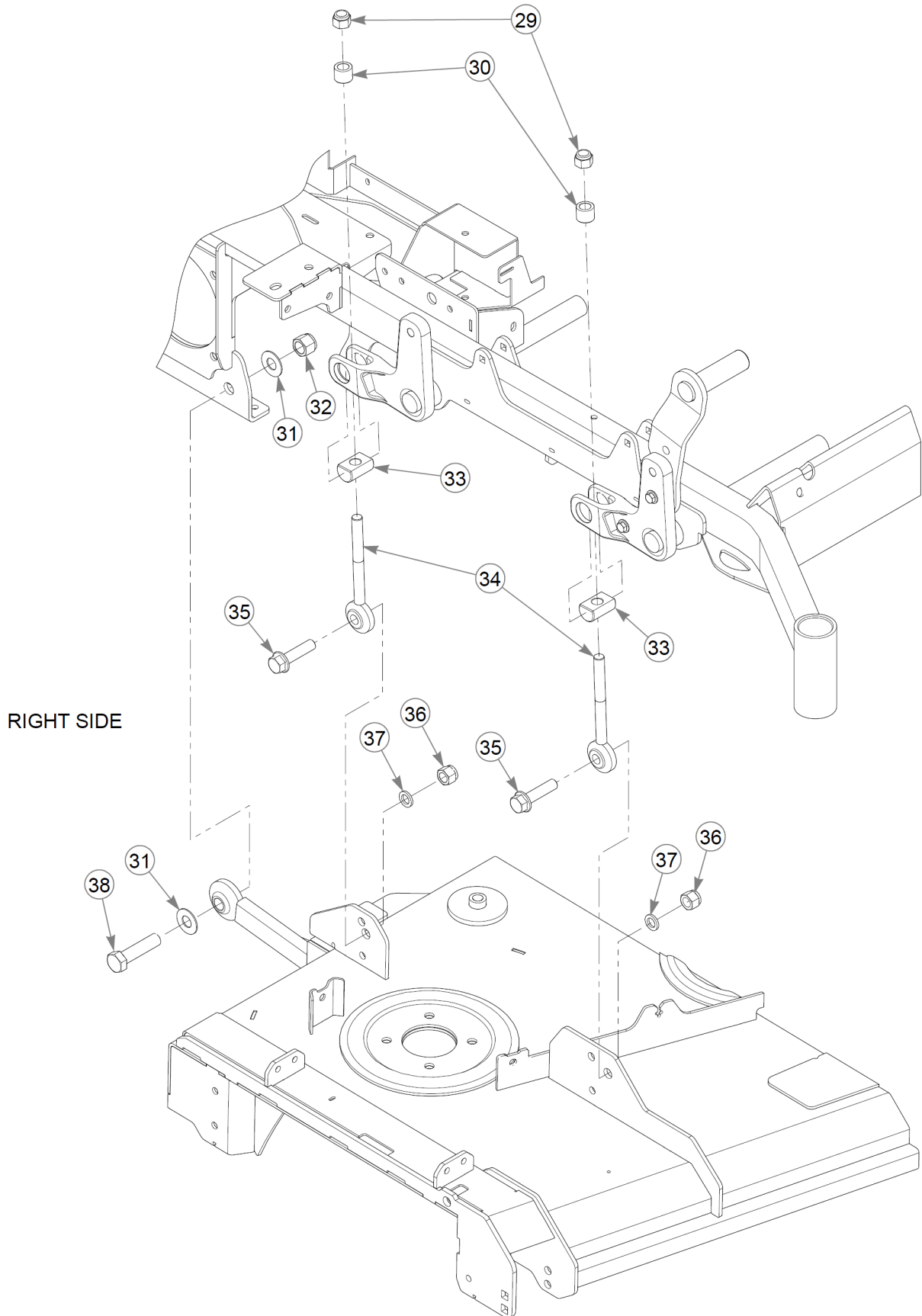
This page intentionally left blank



This page intentionally left blank



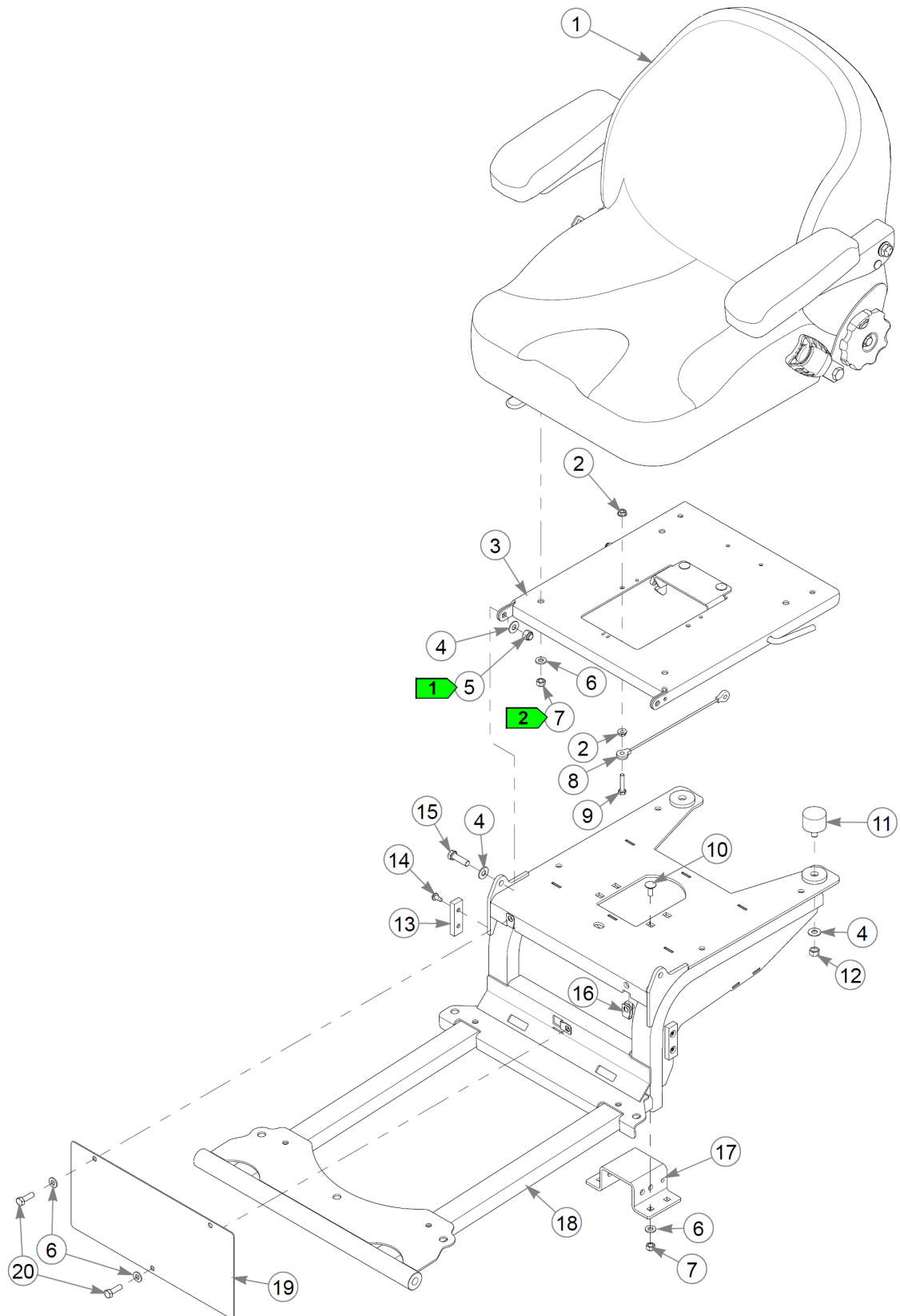
This page intentionally left blank



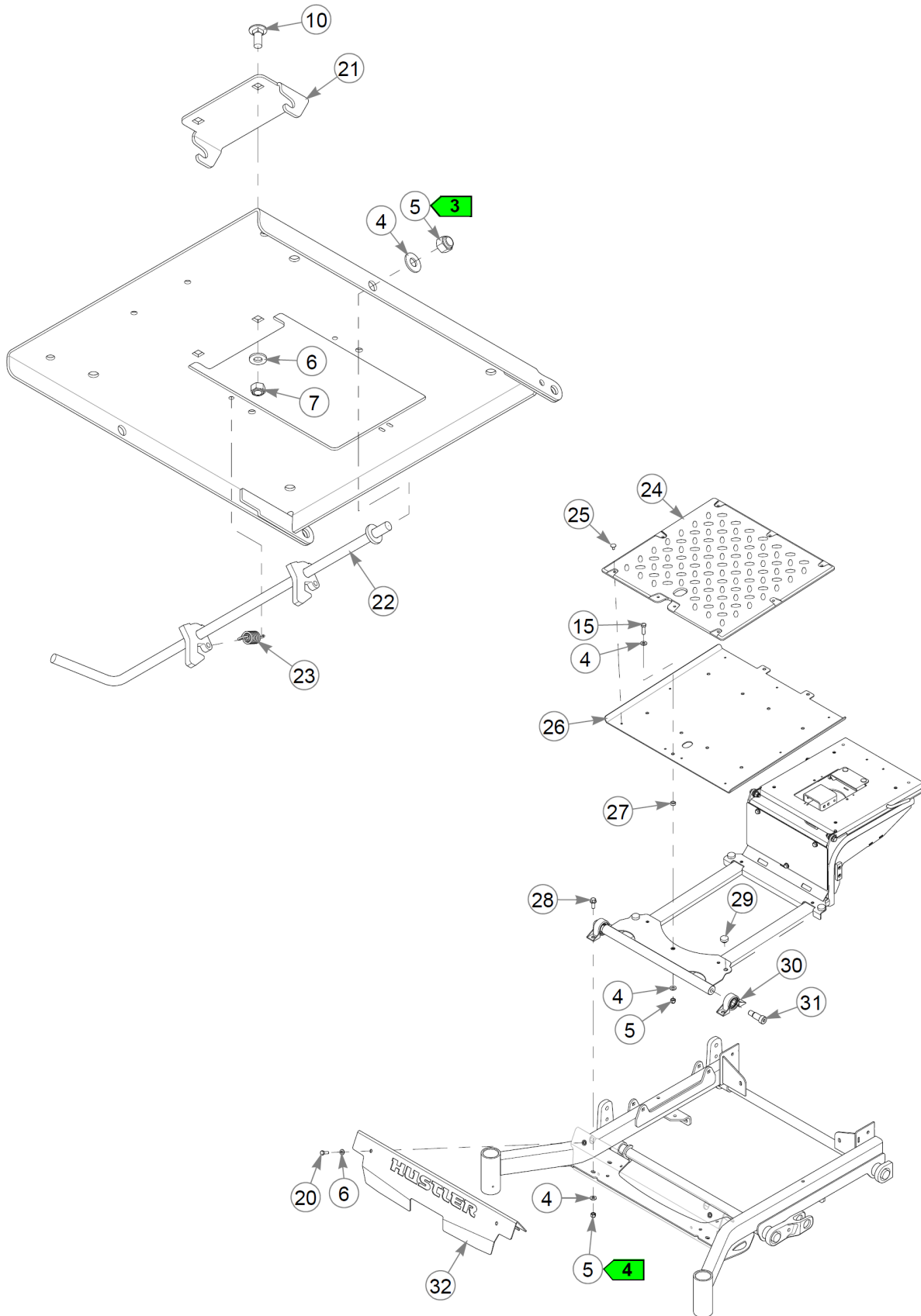
Item	Part No.	Qty	Name
1	086660	1	NT .375-16NLG8
2	767954	7	FW 0.379X.82X.06 HD ZN
3	124361-4	2	LATCH HANDLE
4	606918	1	MAGNETIC PIN, 1/2 x 3.13
5	117489	1	SPACER, LATCH
6	604075	1	SPACER, CYLINDER
7	041848	1	CB .375-16X 3.500 FUL Z
8	017251	3	CP .156DX1.000 LG HML Z
9	718288	4	FW .516X.88X.09 ZN
10	124357-1	1	DECK HEIGHT W/A
11	025965	2	CE .500X3.50 .156X3.34
12	606895	1	SLIDER, DECK LIFT
13	122994	1	DECK HEIGHT LINK, W/A
14	068056	1	CE .500X1.50 .150X1.32
15	124147-1	1	PEDAL WA, DECK LIFT
16	080655	2	CS .375-16X1.500HXG5
17	781567	2	NT .500-13NLG5
18	004168	8	FW .531x1.00x.090 ZN
19	128313-4	1	LINK, DECK CRANK - SZ
20	608319	2	BUSHING
21	025395	4	CB .375-16X 1.00 G5 ZN
22	054502	4	NT .375-16HXG5
23	761544	1	CS .500-13X2.250HXG8
24	074252	1	CS .500-13X1.50 HX G5 ZN
25	604254	1	CB .50-13 X 2.50 STD ZN
26	008193	4	NT .500-13HXG5
27	606478	2	EB, .500-13X3.00 FULTHD
28	606454	2	SPRING, EXT 7.0 300LB/IN
29	604232	4	NT .625-18NLKG5
30	603903	4	DECK LEVEL SPACER
31	025296	4	FW .760X1.63X0.08 ZN
32	061101	2	NT .750-10 HX ZN NL GR B
33	603902	4	DECK LEVEL PIVOT
34	116732	4	W/A, DECK LEVEL ROD END
35	604043	4	CS .625-11x2.500FLGG5

This page intentionally left blank

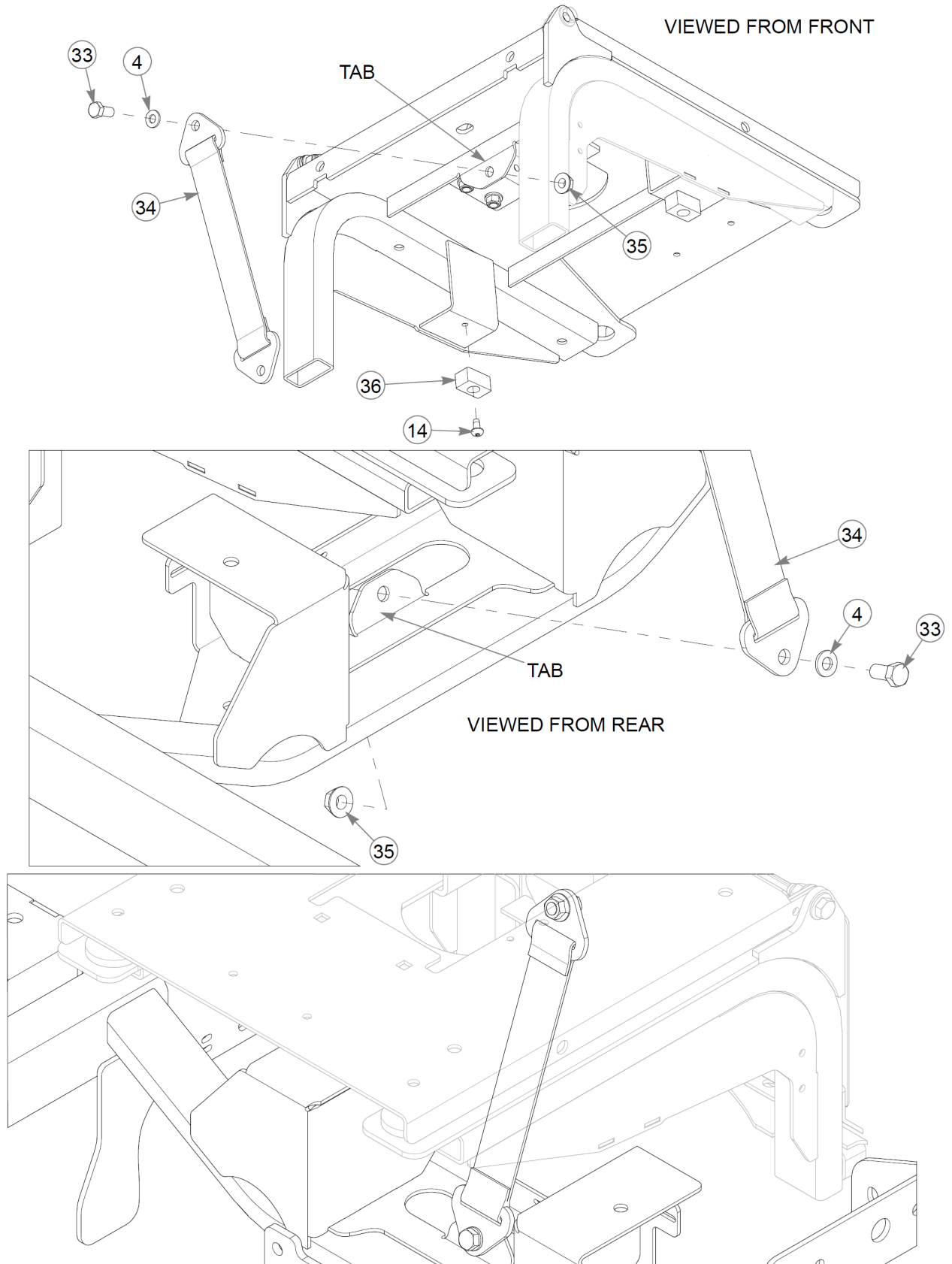
Item	Part No.	Qty	Name
36	058768	4	NT .625-11 HXZN NY
37	028118	4	FW 0.625X1.00X.13 ZN
38	051169	2	CS .750-10X3.000HXG5



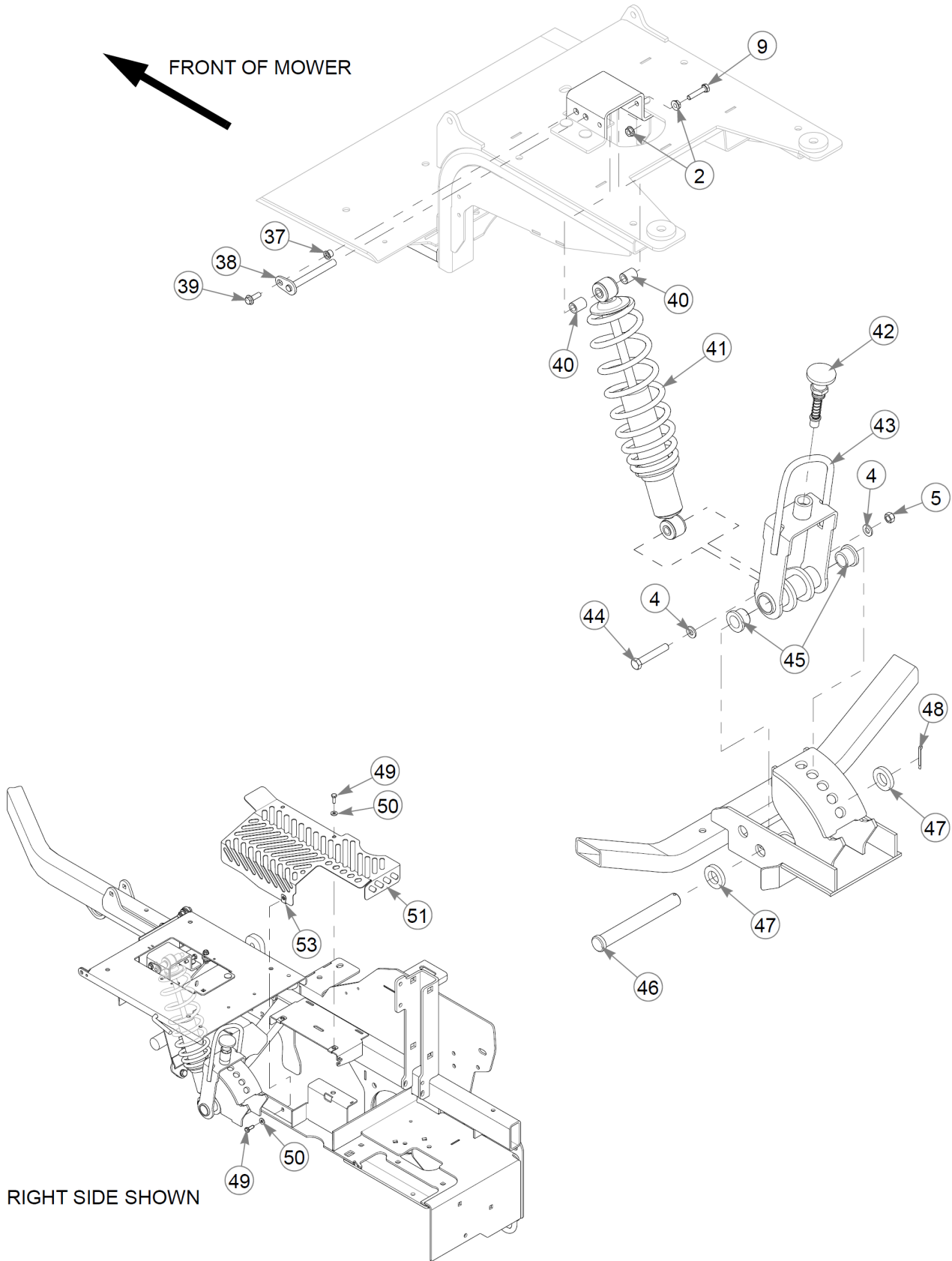
This page intentionally left blank



This page intentionally left blank



This page intentionally left blank



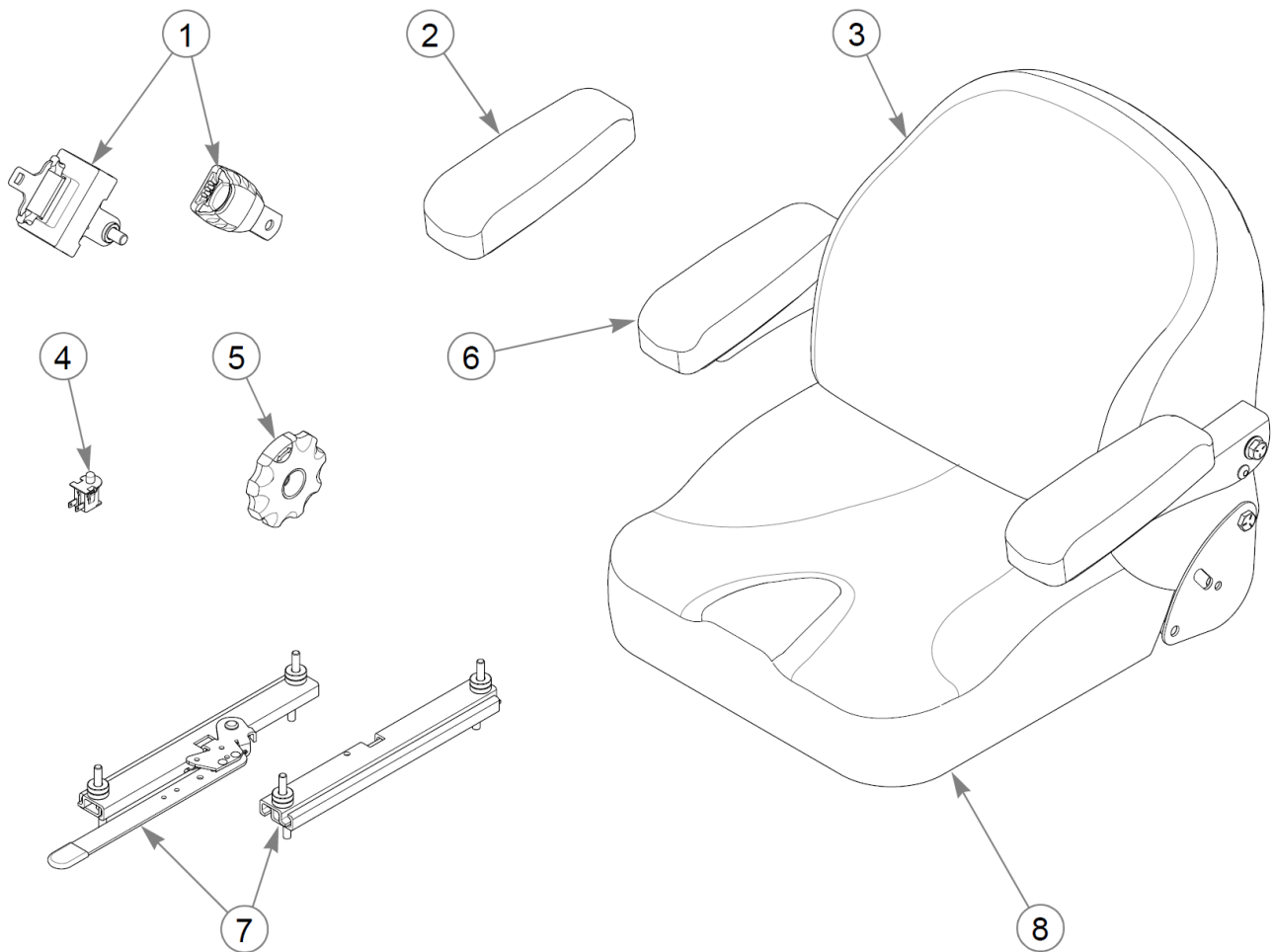
Item	Part No.	Qty	Name
1	609185	1	SEAT, CI3 SEATS INC
2	016816	4	NT .250-20FLKG5
3	129318-6	1	SEAT PAN W/A
4	767954	17	FW 0.379X.82X.06 HD ZN
5	086660	9	NT .375-16NLG8
6	768523	15	FW .343 SAE
7	058776	10	NT .312-18NLG5
8	609152	1	CABLE, SEAT LIMITER
9	704916	2	CS .250-20X1.250HXG5
10	016253	6	CB .312-18X .750 FUL ZN
11	601650	2	VIBRATION MOUNT 70DURO
12	054502	2	NT .375-16HXG5
13	609150	2	BUMPER, PLATFORM
14	710-05070a	6	CS .250-20 X .50 PH
15	052860	3	CS .375-16X1.25 HX G5 ZN
16	601069	3	CN .312-18x.200 MAX THK
17	129298-6	1	SPRING SADDLE
18	129297-6	1	PLATFORM
19	129317-6	1	ACCESS COVER
20	036236	5	CS .312-18 X 1.000 HX G5
21	129320-6	1	SEAT LATCH SUPPORT
22	129321-4	1	W/A, SEAT LATCH
23	606979	1	SPRING, EXTENSION
24	608838	1	FLOOR MAT
25	607868	9	PUSH IN RIVET
26	129316-1	1	FLOOR PAN
27	118900	1	SPACER, DECK LIFT LINK
28	029751	4	CS .375-16X1.00 HXF G5ZN
29	781880	4	BUMPER, .500x 1.00x .31
30	609139	2	BEARING 0.75" ID
31	609151	2	SB 0.75X1.25 SH 0.625-11
32	129325-6	1	COVER, FOOTREST
33	055822	2	CS .375-16X0.75 HX G5 ZN
34	609149	1	LIMITING STRAP
35	016899	2	NT .375-16 FLKG5

This page intentionally left blank

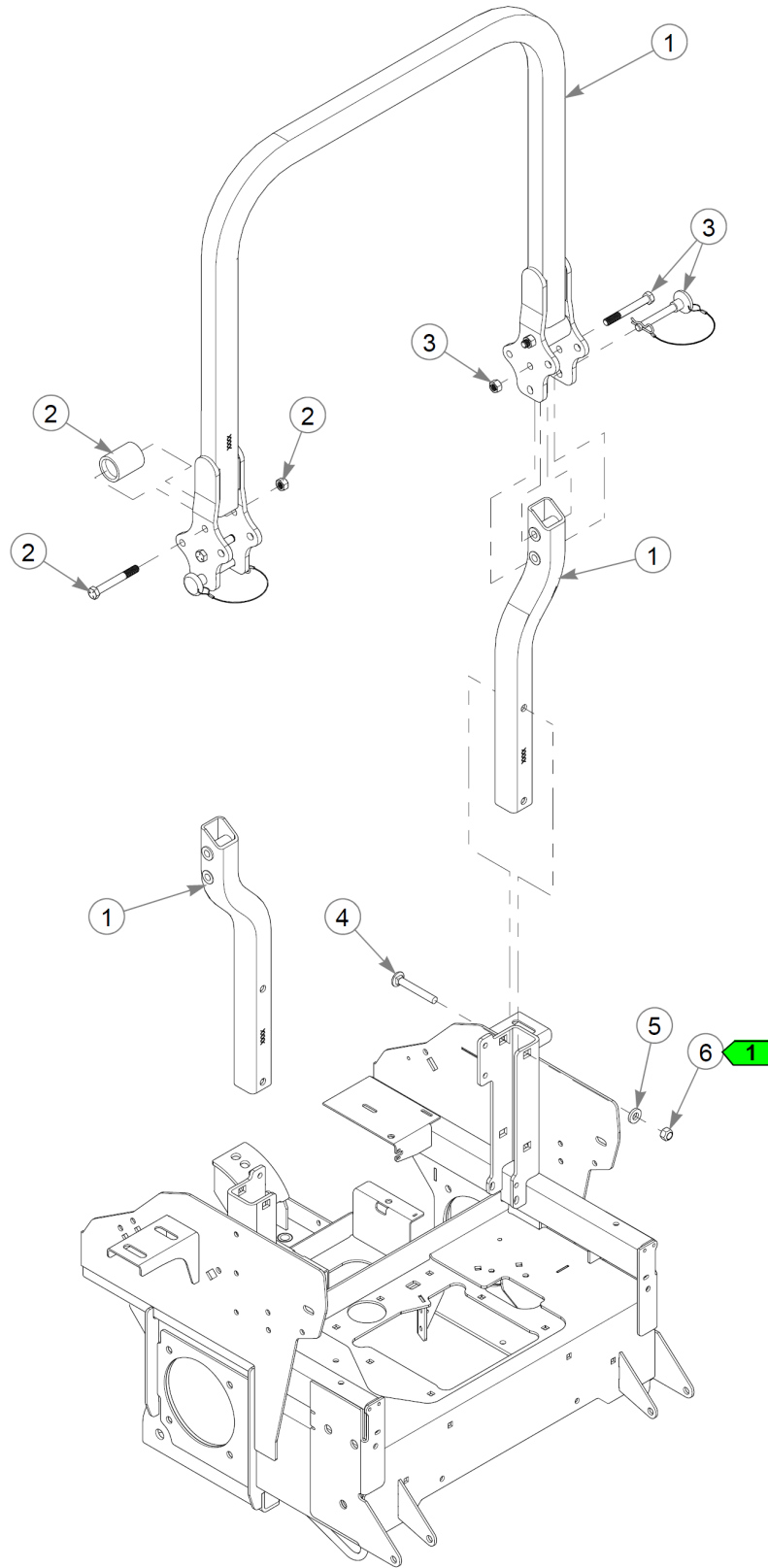
Item	Part No.	Qty	Name
36	735-05225	2	BUMPER
37	808477	1	RIVET NUT, 1/4-20 THREA
38	129299-4	1	PIN W/A
39	016147	1	CS .250-20X0.750FLK
40	609147	2	SPACER, .625 OD .385 ID
41	609146	1	SPRING, COILOVER
42	609141	1	SPRING LOADED PIN ASM
43	129296-1	1	ADJUSTMENT MECHANISM
44	056036	1	CS .375-16X2.250HXG5
45	608000	2	BUSHING
46	609140	1	CLEVIS PIN, 0.75"
47	778399	2	FW .781X1.38X.25 ZN
48	609190	1	CP .125DX1.25 LG HML ZNC
49	055939	6	CS .250-20X0.75 HX G5 ZN
50	768515	6	FW 0.281SAE
51	129673-6	1	COVER, TRANSMISSION RH
52	129674-6	1	COVER, TRANSMISSION LH
53	601982	2	CN .250-20X .150 MAX THK

Comments for Page: Seat, Floor Plan, Suspension (Multi-Page)

1. Do not torque; the seat pan must pivot freely.
2. Torque to 17 ft-lbs.
3. Do not torque; the seat latch must pivot freely.
4. Torque to 27 ft-lbs.



Item	Part No.	Qty	Name
1	607207	1	SVC, SEAT BELT
2	607715	2	SVC, ARM REST PAD KIT
3	608936	1	SVC, SEAT BACK COVER
4	606082	1	SVC, OPS
5	607709	1	SVC, RECLINER KNOB
6	607711	1	SVC, ARM REST KIT
7	609167	1	SVC, TRACK KIT
8	609165	1	SVC, SEAT CUSHION COVER



ROPS

Item	Part No.	Qty	Name
1	608230	1	SVC, ROPS ASSY
2	608126	2	SVC, ROPS ISOLATOR ASM
3	608125	1	ROPS HARDWARE KIT
4	608568	4	CB .500-13 X 3.500 G5
5	767962	4	FW .531 x 1.063 x .175
6	023317	4	NT .500-13UNTG8

Comments for Page: ROPS

1. Torque to 73 ft-lbs.