

# Hustler® Parts Manual

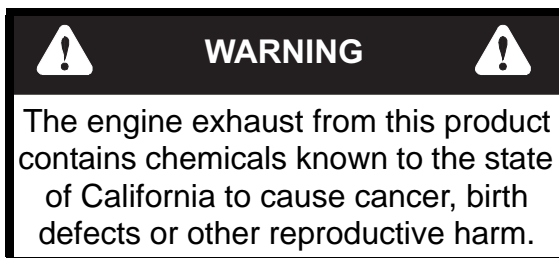


**HUSTLER®**  
TURF EQUIPMENT

200 South Ridge Road

Hesston, Kansas

67062



#### NOTICE OF REQUIREMENT OF SPARK ARRESTER MUFFLER

This equipment may create sparks that can start fires around dry vegetation. California Public Resources Code Section 4442.6 provides that it is unlawful to use or operate an internal combustion engine on any forest-covered, brush-covered, or grass-covered land unless the engine is equipped with a spark arrester maintained in effective working order. A spark arrester is a device constructed of nonflammable materials specifically for the purpose of removing and retaining carbon and other flammable particles over 0.0232 of an inch in size from the exhaust flow of an internal combustion engine that uses hydrocarbon fuels or which is qualified and rated by the United States Forest Service. Other states or federal areas may have similar laws. The Operator Should Contact Local Fire Agencies For Laws or Regulations Relating to Fire Prevention Requirements. **THIS EQUIPMENT DOES NOT HAVE A SPARK ARRESTER AND YOU SHOULD CONTACT YOUR AUTHORIZED DEALER FOR THE PURCHASE OF A SPARK ARRESTER.**

Inspect spark arrester daily; replace every 500 hours or as needed.

The Engine Owner's Manual provides information regarding the U.S. Environmental Protection Agency (EPA) and the California Emission Control Regulation of emission systems, maintenance and warranty.

Keep Engine Owner's Manual with your unit. Should the Engine Owner's Manual become damaged or illegible, replace immediately. Replacements may be ordered per the information found in the Product Information section of the owner's manual.

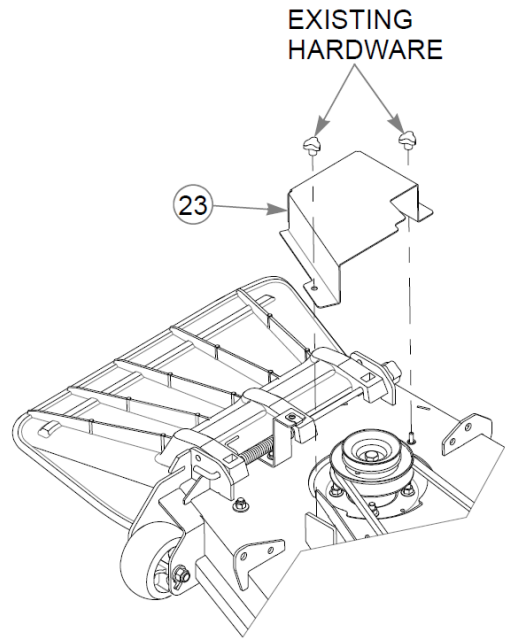
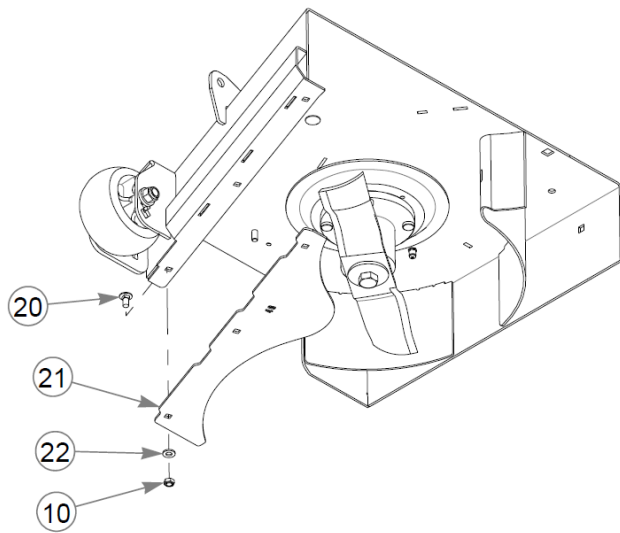
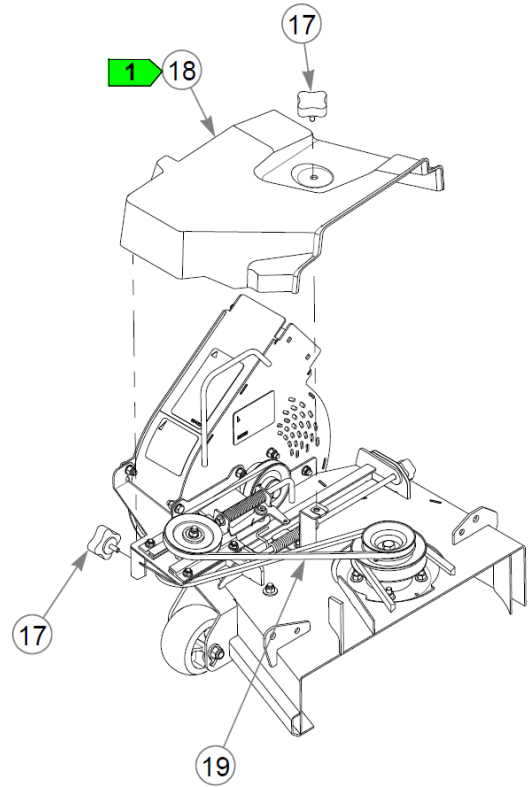
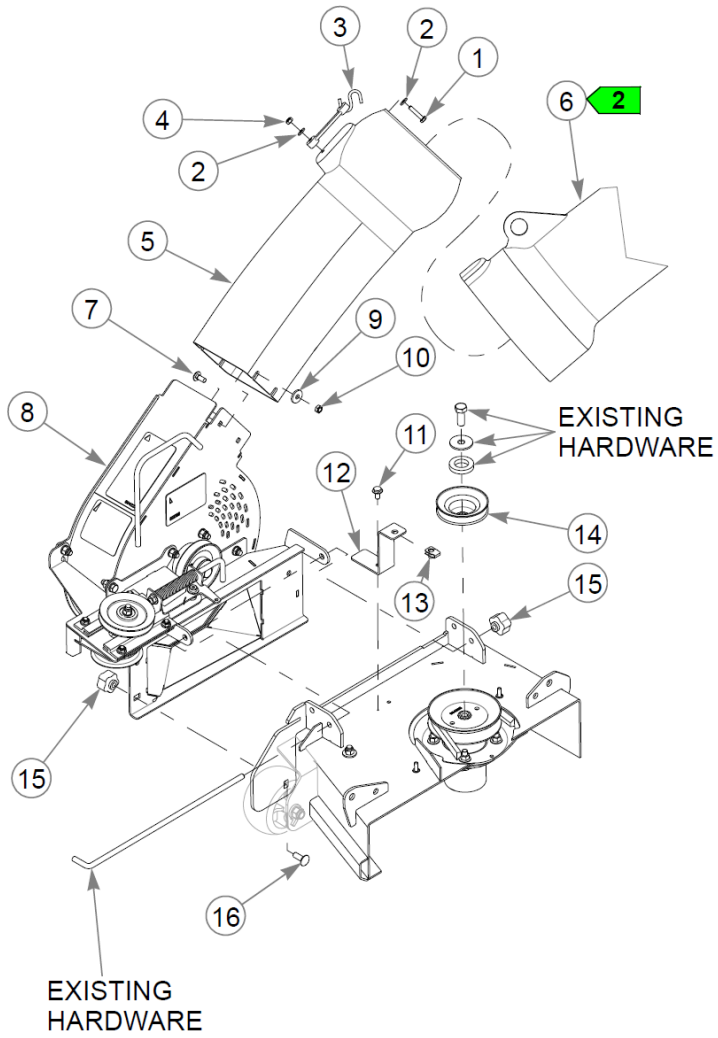
Federal law and California State law prohibit the following acts or the causing thereof:

1. The removal or rendering inoperative by any person other than for purposes of maintenance, repair, replacement, of any device or element of design incorporated into any equipment for the purposes of emissions control prior to or after its sales or delivery to the ultimate purchaser or while it is in use, or
2. The use of the equipment after such device or element of design has been removed or rendered inoperative by any person.

48" Deck Adapter	1
54" Deck Adapter	2
60" Deck Adapter	3
Blower Assembly Breakdown (Multi-Page)	4
Handle	5
Frame (Multi-Page)	6
Catcher (Multi-Page)	7
Weight Mount Hardware	8
Weight Mount Breakdown	9



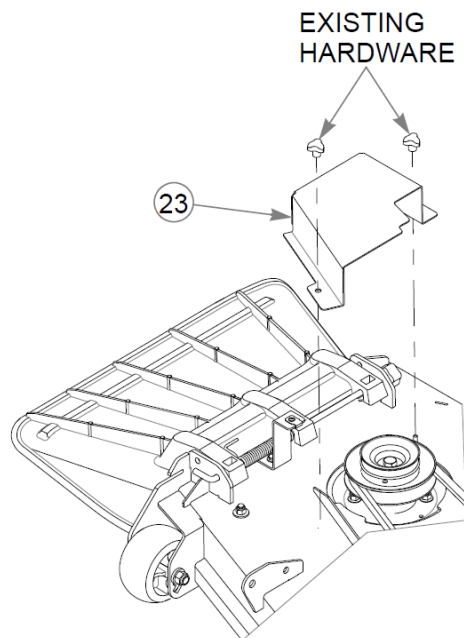
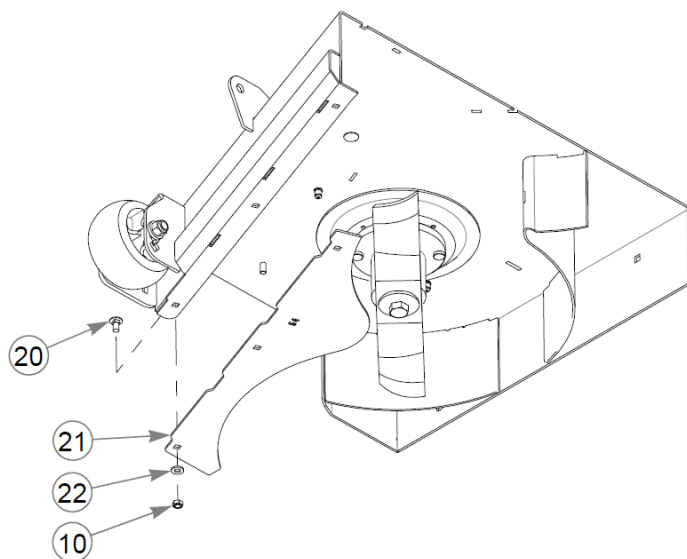
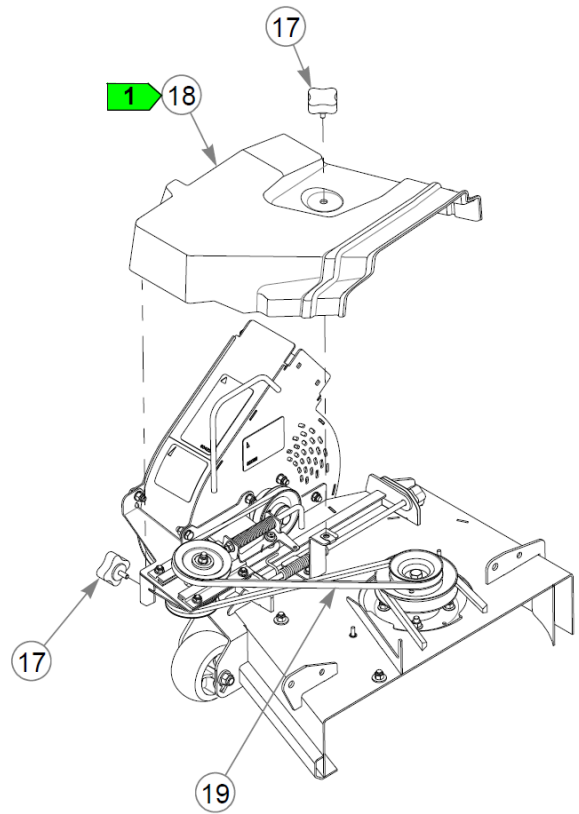
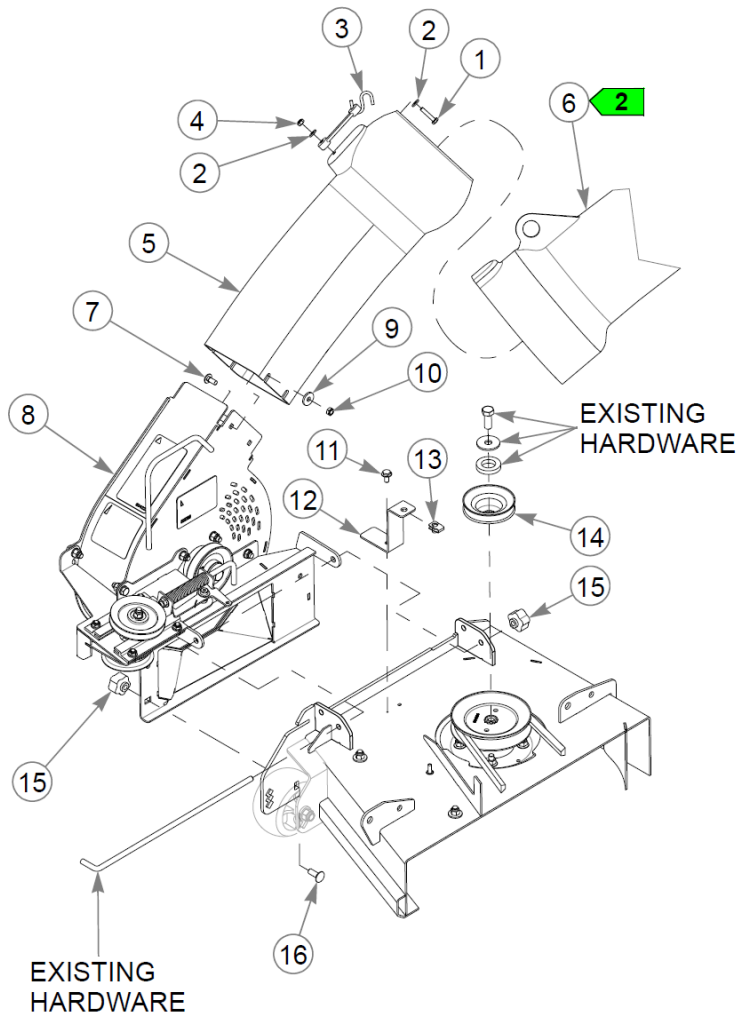
# 48" Deck Adapter



Item	Part No.	Qty	Name
1	704916	1	CS .250-20X1.250HXG5
2	768515	2	FW 0.281SAE
3	604475	1	BUNGEE
4	068551	1	NT .250-20 HXZY NL
5	608188	1	CHUTE, BLOWER OUTLET
6	604387	1	CATCHER CHUTE, LID SIDE
7	016253	4	CB .312-18X .750 FUL ZN
8		1	REFER TO "BLOWER ASSEMBLY BREAKDOWN"
9	712927	4	FW 0.344X1.00X.12 HD ZN
10	604251	7	NT .312-18 HXNL JAM G2ZN
11	799130	1	CS .312-18X .625 HXFL
12	126876-1	1	BLOWER, COVER MNT BRKT
13	601069	1	CN .312-18x.200 MAX THK
14	608214	1	PULLEY, V DRIVE 3.50" EF
15	608229	2	KNOB, .375-16 FEMALE
16	025395	1	CB .375-16X 1.00 G5 ZN
17	792002	2	KNOB,5/16-18 X 3/4"MALE
18	608564	1	PULLEY COVER
19	608217	1	BELT, HA SECTION
20	083147	3	CB .312-18X .620 G5 ZN
21	126988-1	1	DROP PLT, R SIDE
22	768523	3	FW 0.343SAE
23	126910-1	1	DOUBLE PULLEY COVER

Comments for Page: 48" Deck Adapter

1. Trim the pulley cover as shown to fit the deck size.
2. Trim the upper chute length to fit the appropriate deck configuration.

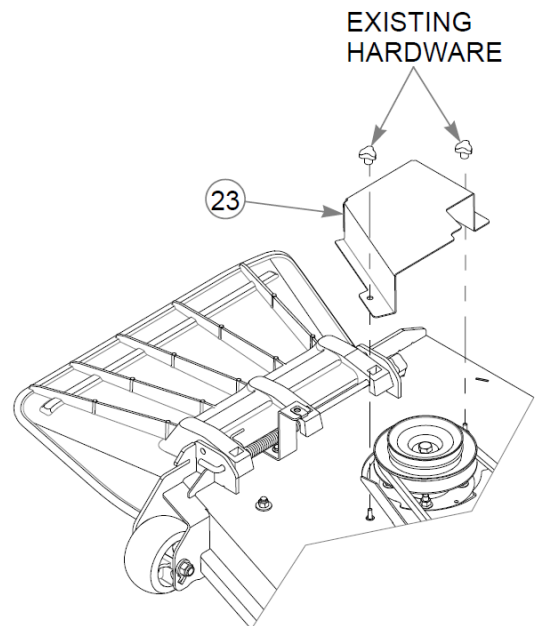
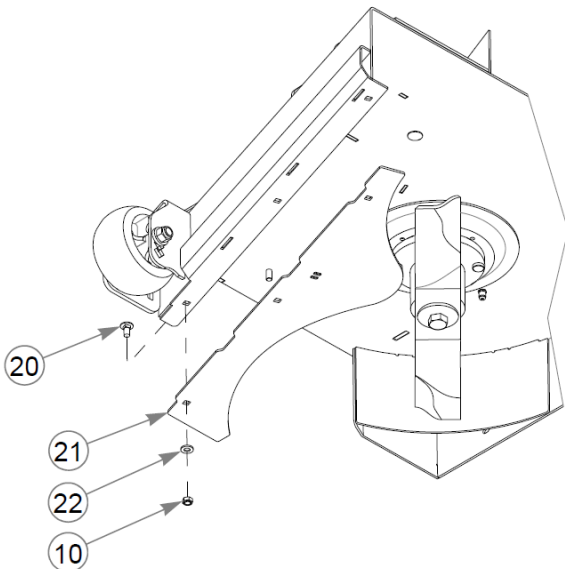
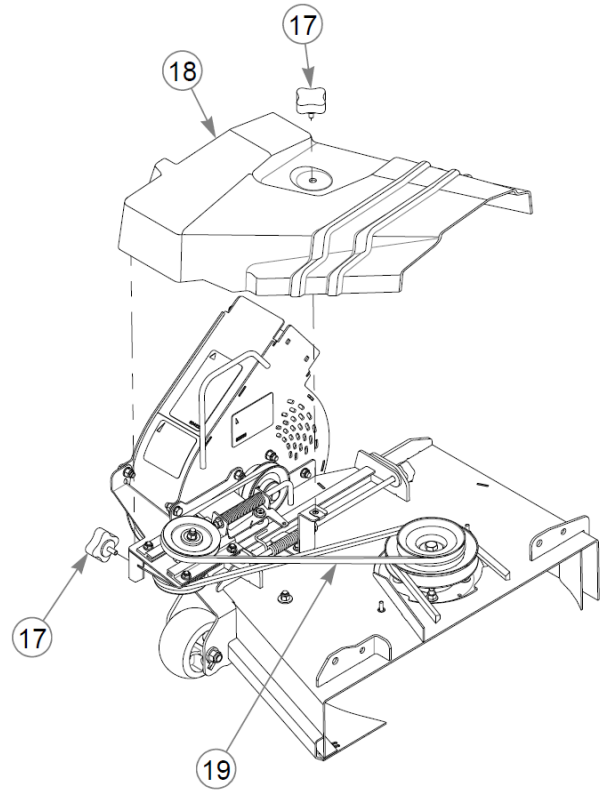
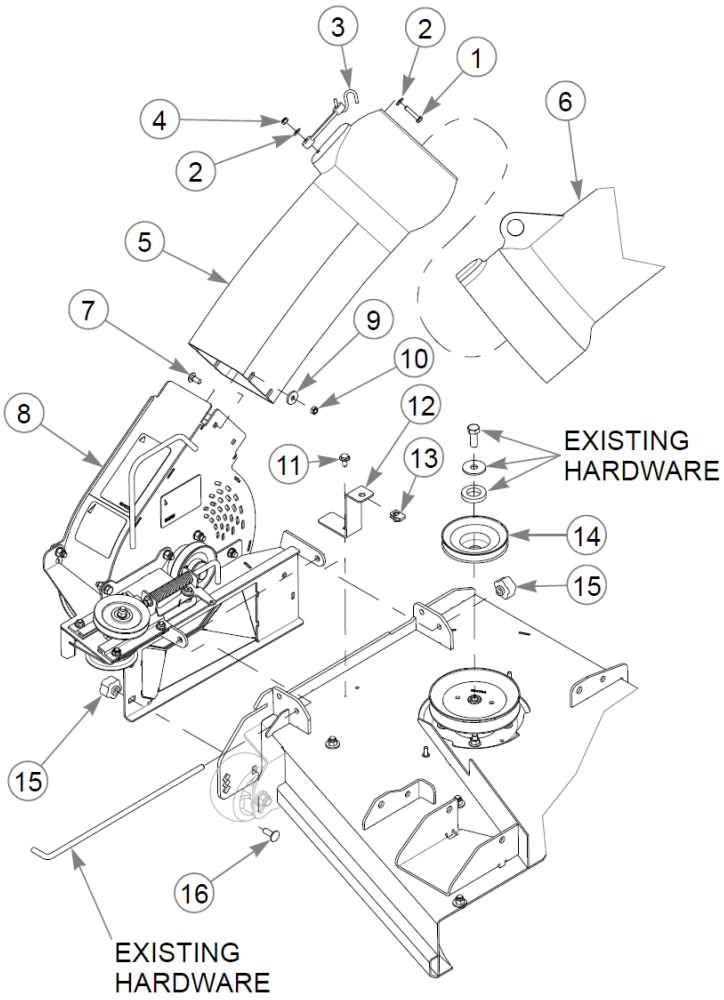


Item	Part No.	Qty	Name
1	704916	1	CS .250-20X1.250HXG5
2	768515	2	FW 0.281SAE
3	604475	1	BUNGEE
4	068551	1	NT .250-20 HXZY NL
5	608188	1	CHUTE, BLOWER OUTLET
6	604387	1	CATCHER CHUTE, LID SIDE
7	016253	4	CB .312-18X .750 FUL ZN
8		1	REFER TO "BLOWER ASSEMBLY BREAKDOWN"
9	712927	4	FW 0.344X1.00X.12 HD ZN
10	604251	7	NT .312-18 HXNL JAM G2ZN
11	799130	1	CS .312-18X .625 HXFL
12	126876-1	1	BLOWER, COVER MNT BRKT
13	601069	1	CN .312-18x.200 MAX THK
14	608214	1	PULLEY, V DRIVE 3.50" EF
15	608229	2	KNOB, .375-16 FEMALE
16	025395	1	CB .375-16X 1.00 G5 ZN
17	792002	2	KNOB, 5/16-18 X 3/4" MALE
18	608564	1	PULLEY COVER
19	608218	1	BELT, HA SECTION
20	083147	3	CB .312-18X .620 G5 ZN
21	126987-1	1	DROP PLT, R SIDE
22	768523	3	FW 0.343SAE
23	126910-1	1	DOUBLE PULLEY COVER

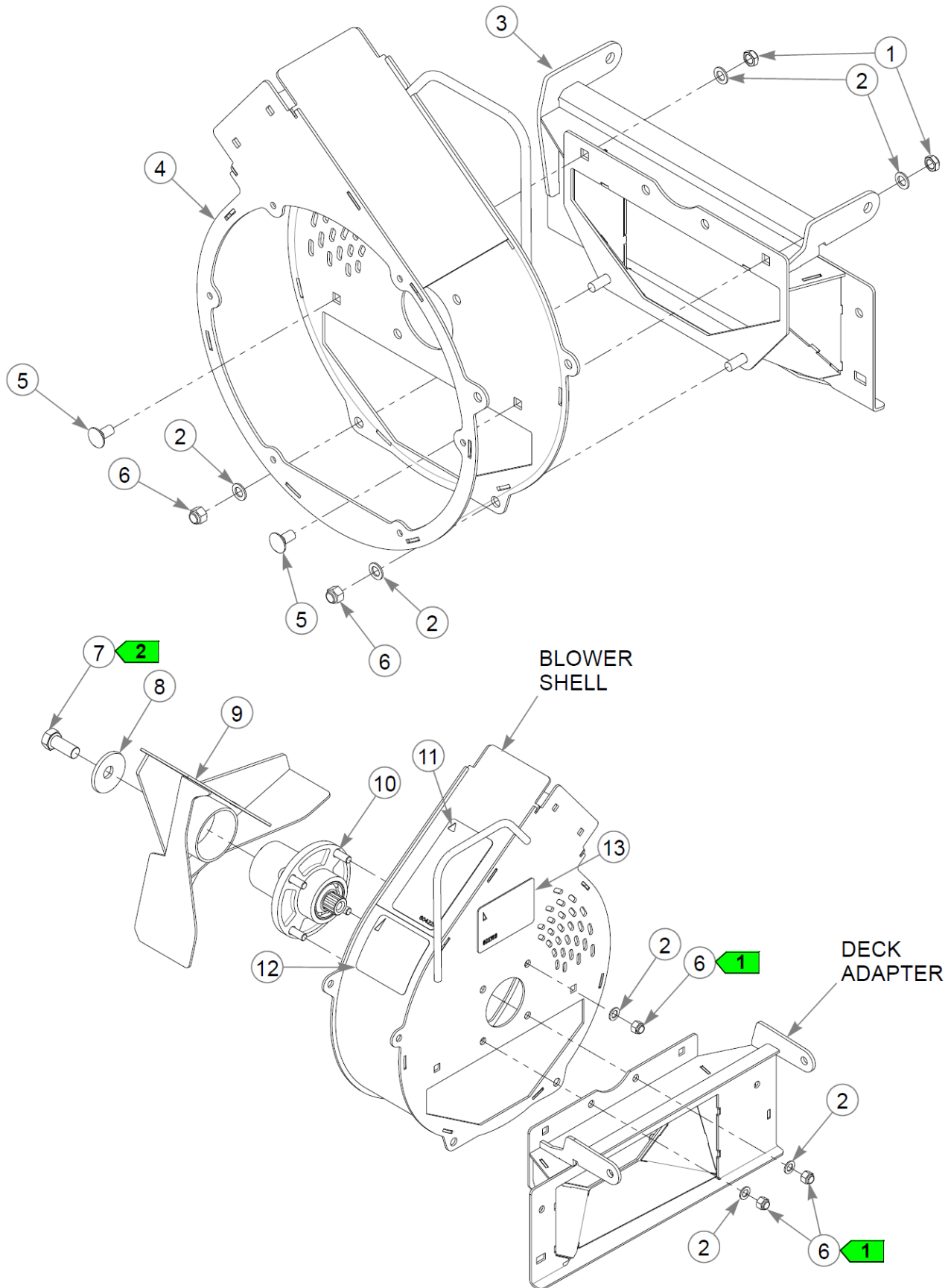
Comments for Page: 54" Deck Adapter

1. Trim the pulley cover as shown to fit the deck size.
2. Trim the upper chute length to fit the appropriate deck configuration.

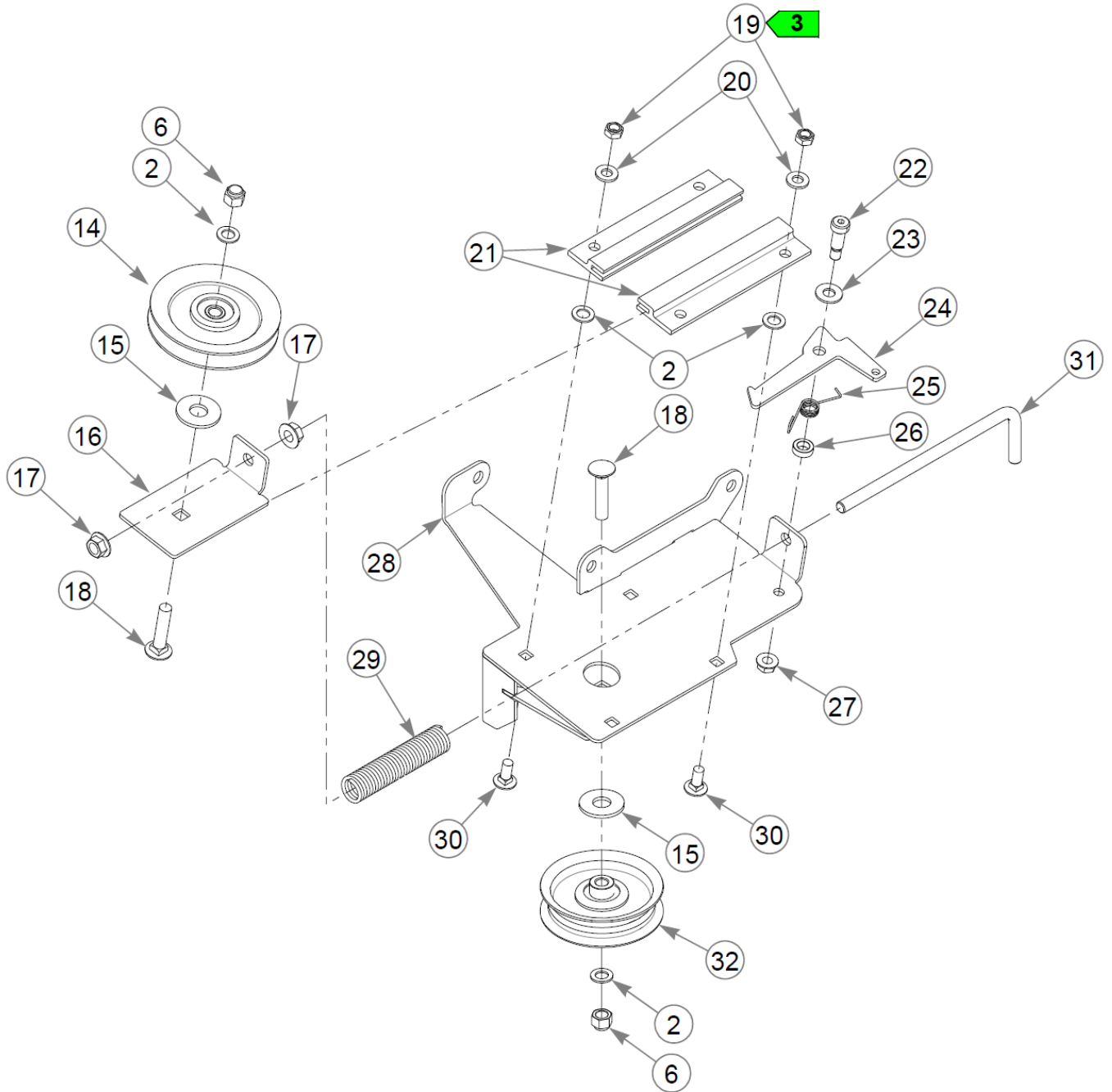




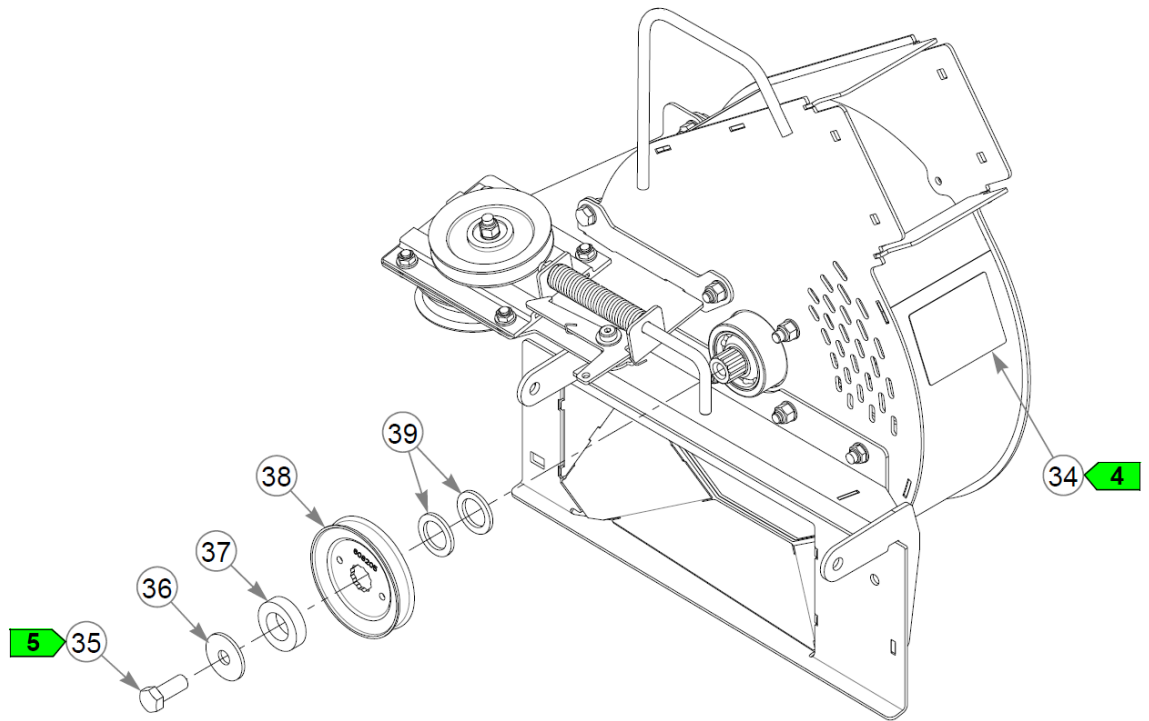
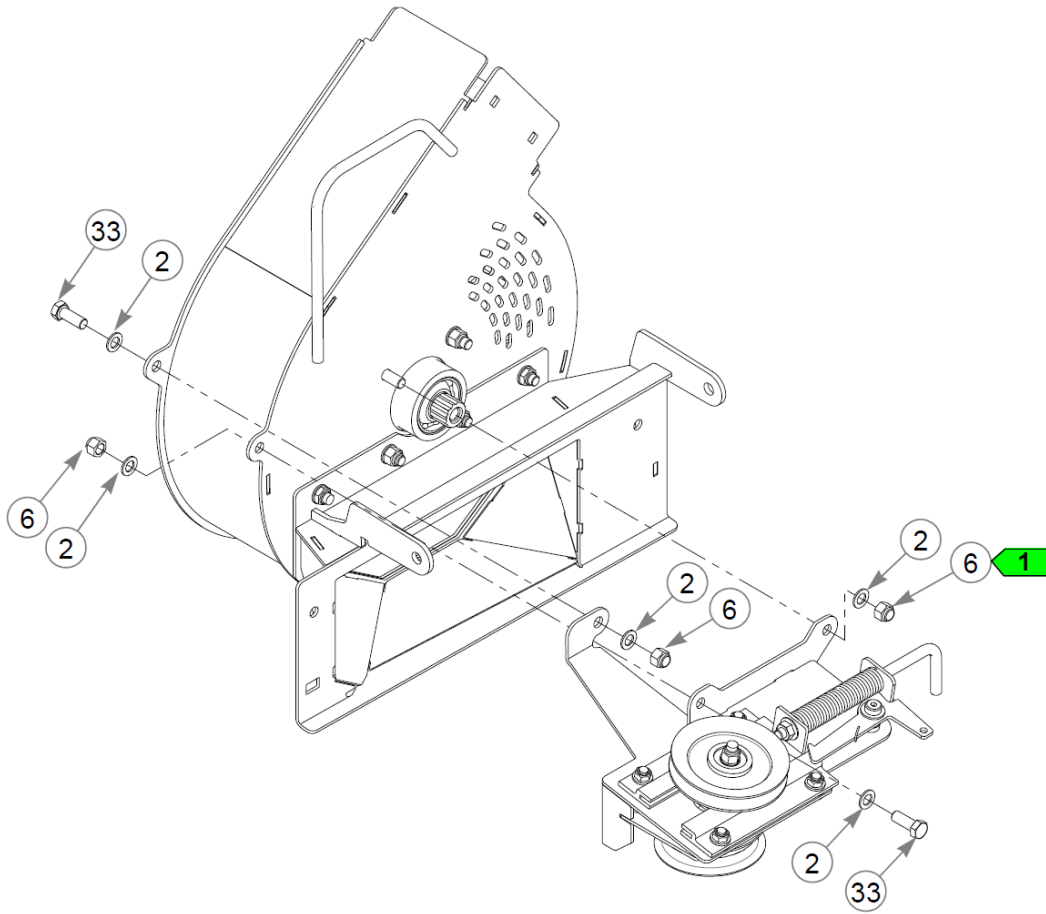
Item	Part No.	Qty	Name
1	704916	1	CS .250-20X1.250HXG5
2	768515	2	FW 0.281SAE
3	604475	1	BUNGEE
4	068551	1	NT .250-20 HXZY NL
5	608188	1	CHUTE, BLOWER OUTLET
6	604387	1	CATCHER CHUTE, LID SIDE
7	016253	4	CB .312-18X .750 FUL ZN
8		1	REFER TO "BLOWER ASSEMBLY BREAKDOWN"
9	712927	4	FW 0.344X1.00X.12 HD ZN
10	604251	7	NT .312-18 HXNL JAM G2ZN
11	799130	1	CS .312-18X .625 HXFL
12	126876-1	1	BLOWER, COVER MNT BRKT
13	601069	1	CN .312-18x.200 MAX THK
14	608213	1	PULLEY, V DRIVE 4.50"EFF
15	608229	2	KNOB, .375-16 FEMALE
16	025395	1	CB .375-16X 1.00 G5 ZN
17	792002	2	KNOB, 5/16-18 X 3/4"MALE
18	608564	1	PULLEY COVER
19	607963	1	BELT, HA SECTION
20	083147	3	CB .312-18X .620 G5 ZN
21	126986-1	1	DROP PLT, R SIDE
22	768523	3	FW 0.343SAE
23	126910-1	1	DOUBLE PULLEY COVER



This page intentionally left blank

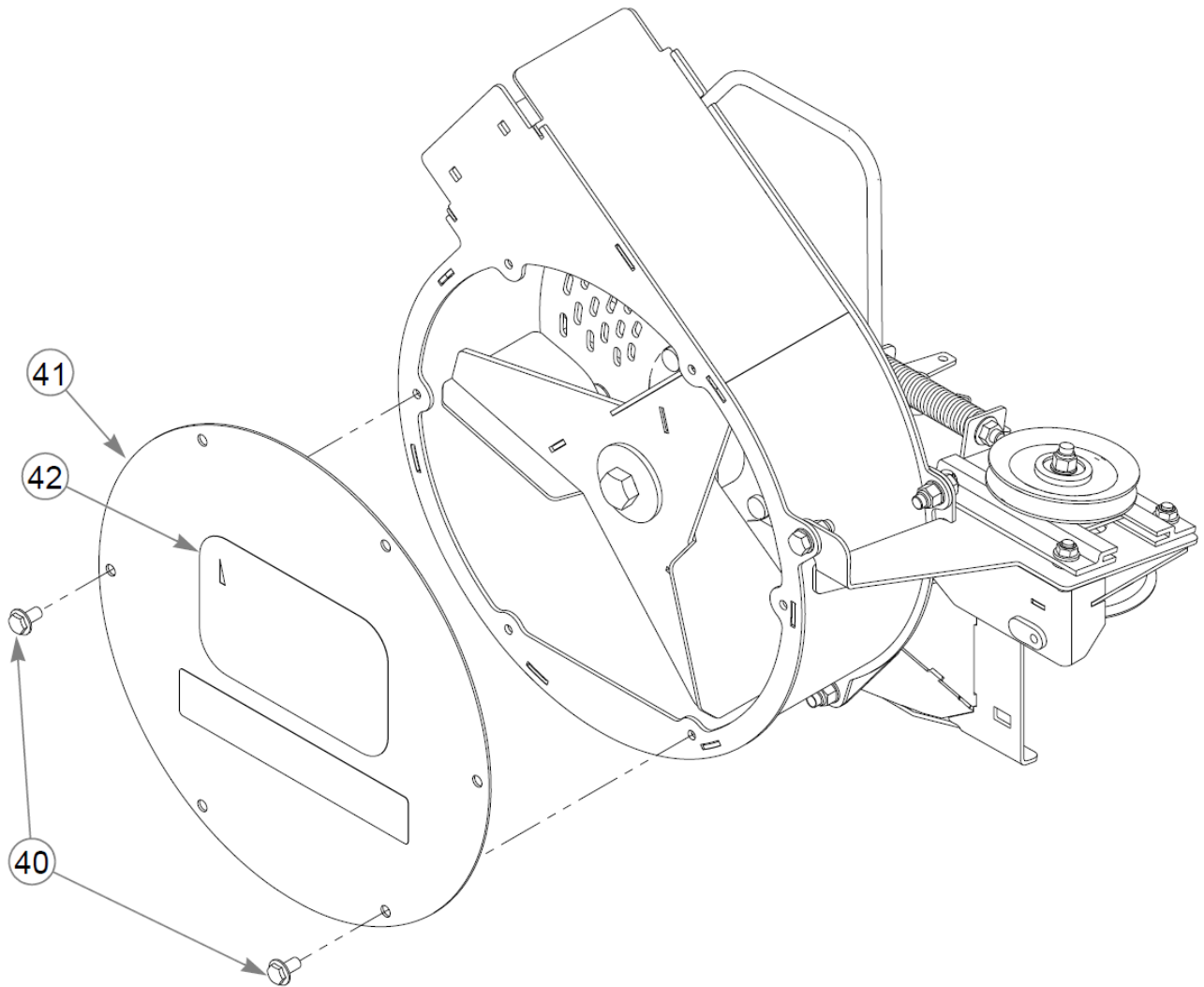


This page intentionally left blank



This page intentionally left blank





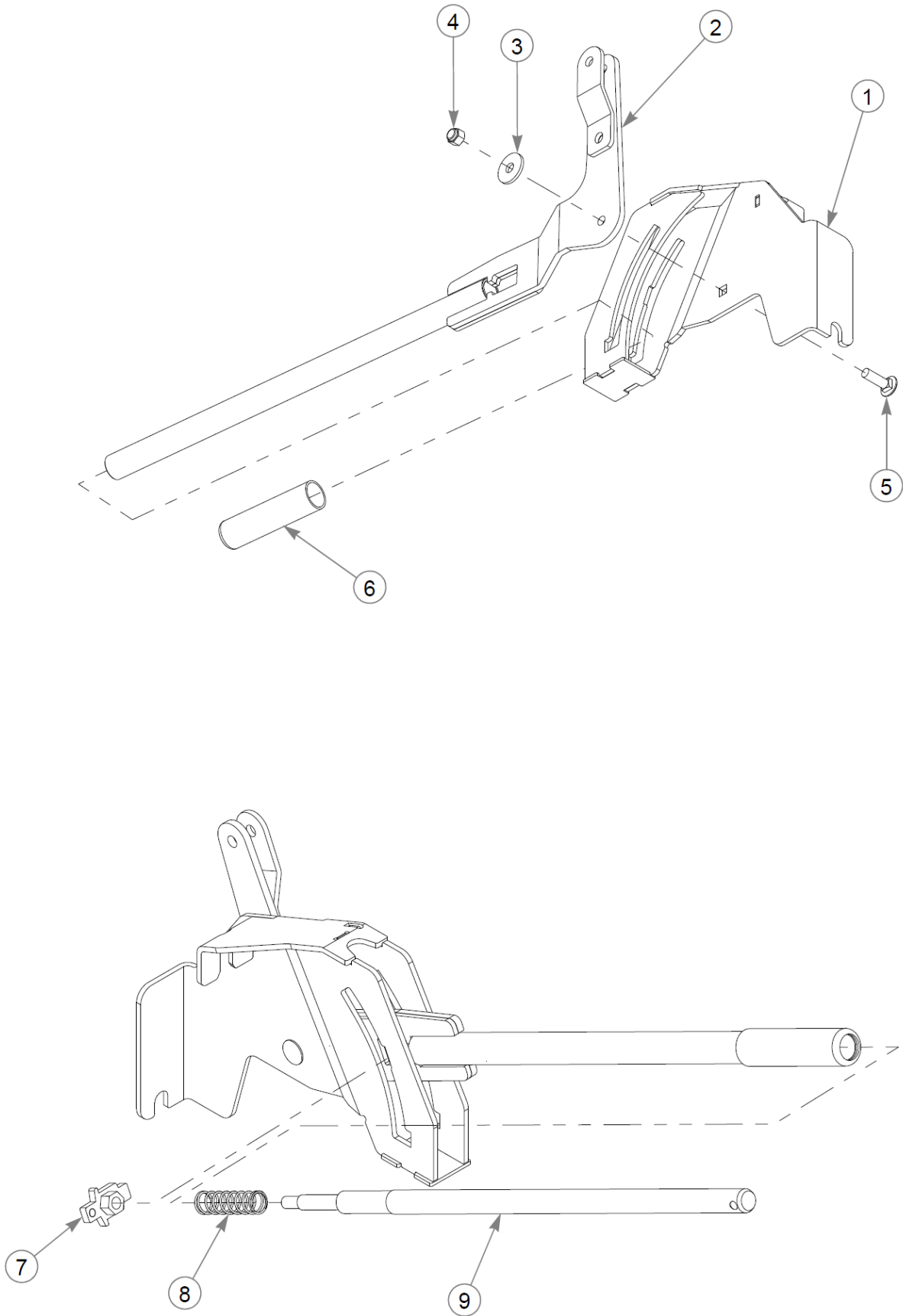
Item	Part No.	Qty	Name
1	603846	2	NT .375-16 HX NL JAM ZN
2	704718	18	FW .406X .688X.060 ZN
3	126864-1	1	DECK ADAPTER PNT
4	555795	1	SVC, BLOWER DECAL ASSY
5	011320	2	CB .375-16X .750 STD ZN
6	086660	10	NT .375-16NLG8
7	794446	1	CS .625-11X1.500HXG5
8	782474	1	CW .678 X 2.250 X .187
9	126920-1	1	IMPELLER PNT, BLOWER
10	607418	1	BLADE SPINDLE ASSY
11	604221	1	DECAL, DANGER / CHUTE
12	602757	1	DECAL, BLOWER DANGERS
13	602758	1	DECAL, EYES/EARS/FOOT
14	608202	1	PULLEY, V IDLER 4.00"EFF
15	017137	2	FW .560SAE
16	126873-1	1	TENSIONER SLED, PNT
17	016899	2	NT .375-16 FLKG5
18	606935	2	CB .375-16X 1.75 STD G5
19	604251	4	NT .312-18 HXNL JAM G2ZN
20	768523	4	FW 0.343SAE
21	604079	2	IDLER SLIDE, EXTRUDED
22	032581	1	SB .375X .750 SH.312-18
23	767954	1	FW 0.379X.82X.06 HD ZN
24	126874-2	1	TENSIONER, LATCH PNT
25	608204	1	SPRING, TORSION RH
26	601839	1	PIVOT SPACER BUSHING
27	016832	1	NT .312-18FLKG5
28	126852-1	1	TENSIONER BASE PNT
29	608203	1	SPRING, COMP 14LB, 35LB
30	016253	4	CB .312-18X .750 FUL ZN
31	608200	1	TENSIONER, PULL ROD
32	608201	1	PULLEY, F IDLER 3.25"OFF
33	036244	2	CS .375-16X1.00 HX G5 ZN
34	N/A	1	SERIAL NUMBER / SPEC DECAL
35	705954	1	CS .500-13X1.25 HX G5 ZN
36	798603	1	FW .515X1.65X.12 HD ZN

This page intentionally left blank

Item	Part No.	Qty	Name
37	604661	1	SPACER, SPINDLE PULLEY
38	608205	1	PULLEY, V DRIVE 4.0"EFF
39	045765	2	FW 1.030X1.50X.13 HD ZN
40	799130	6	CS .312-18X .625 HXFL
41	555796	1	SVC, ACCESS PANEL
42	604770	1	DECAL, "H" LOGO

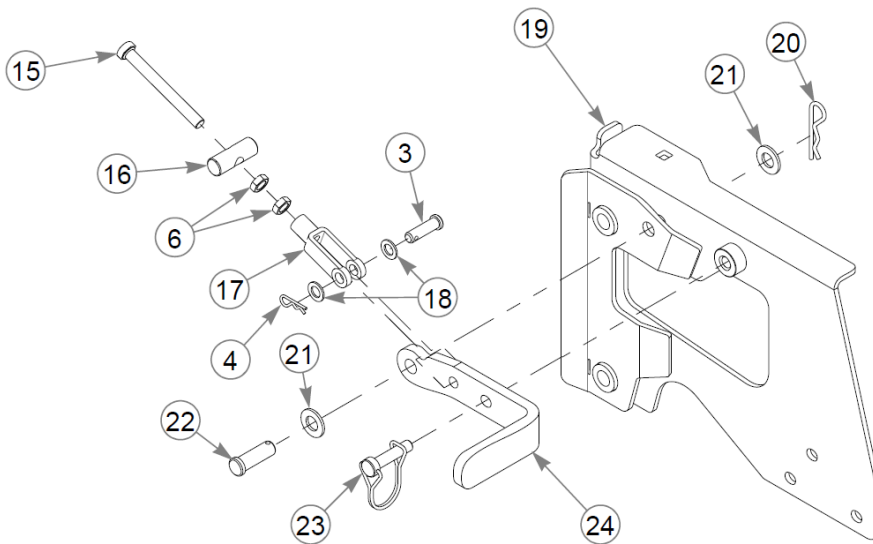
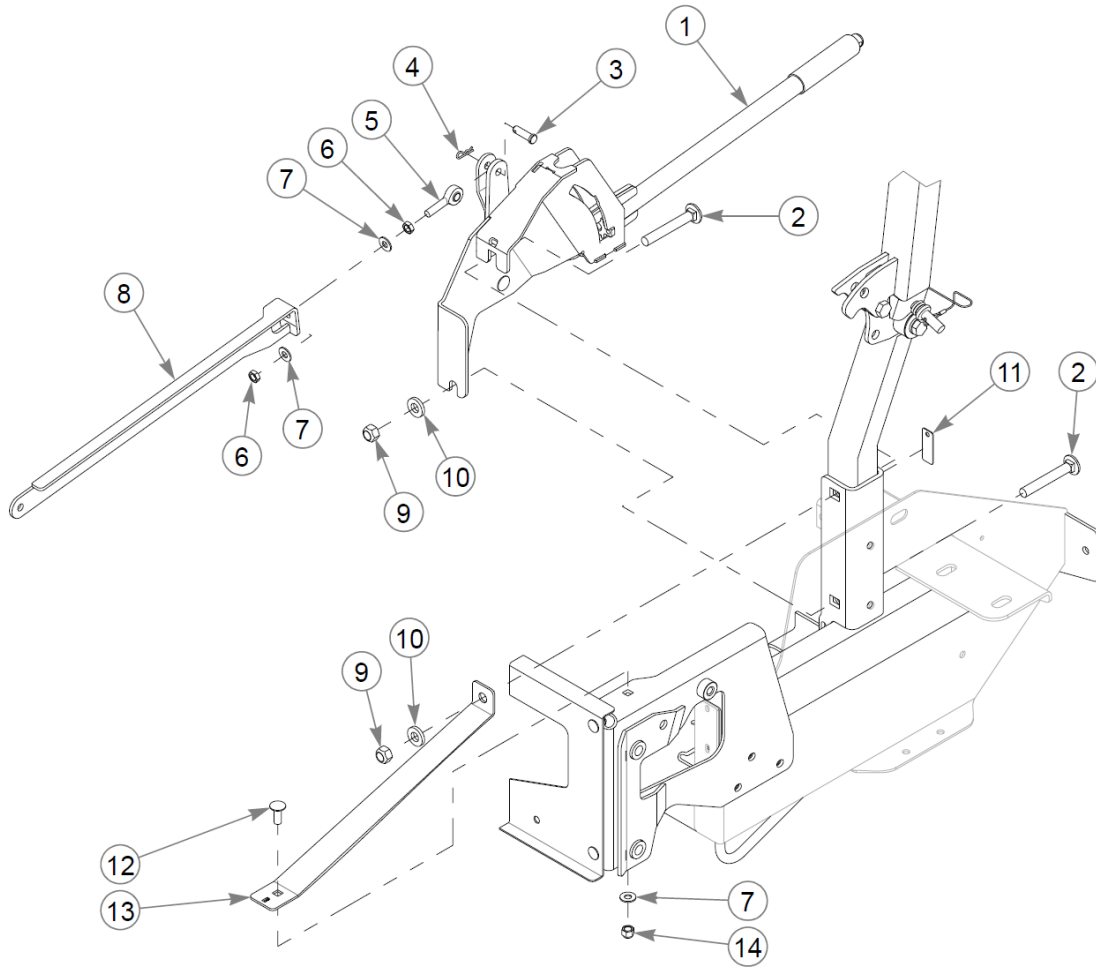
Comments for Page: Blower Assembly Breakdown (Multi-Page)

1. Torque to 30 ft-lbs.
2. Torque to 118 ft-lbs.
3. Torque to 3–6 ft-lbs.
4. Serial number decal. In the event the serial number decal becomes damaged or illegible, please contact your dealer to order a replacement.
5. Torque to 73 ft-lbs.



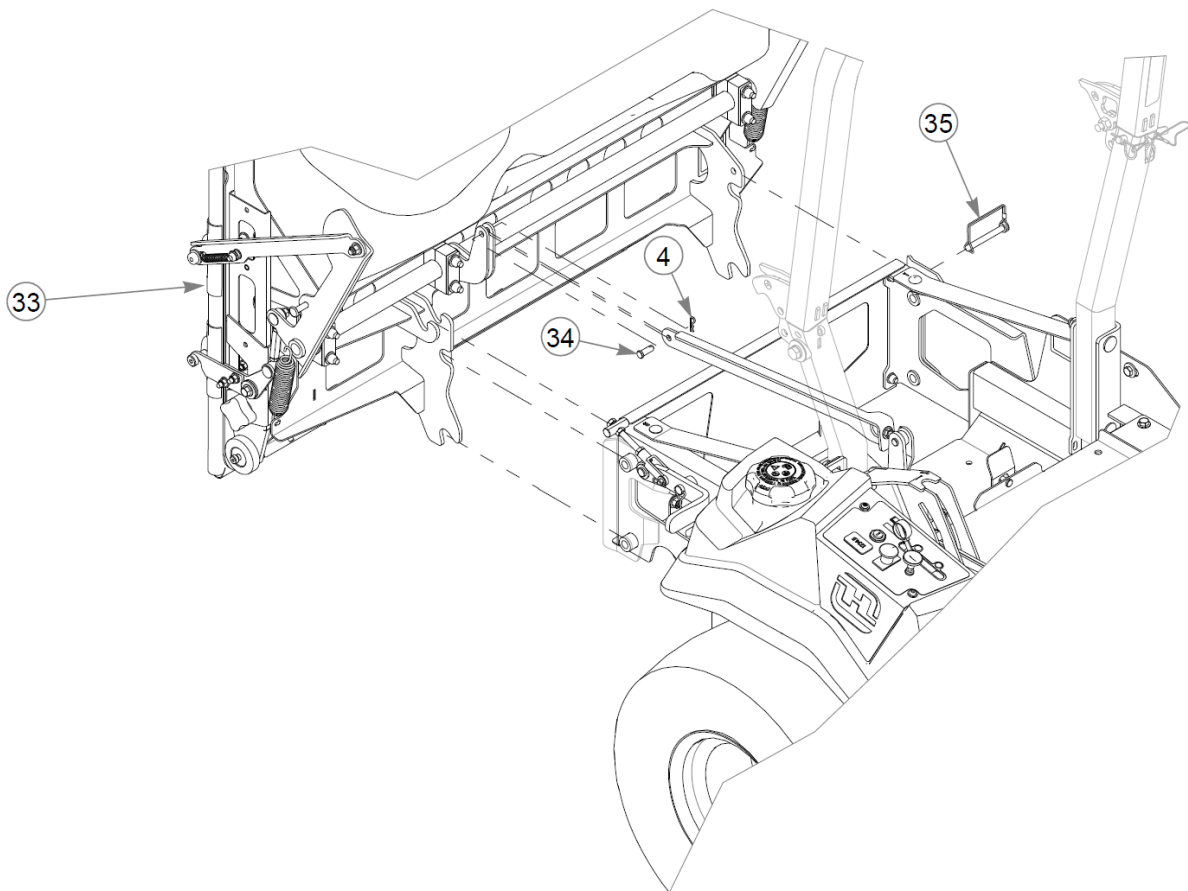
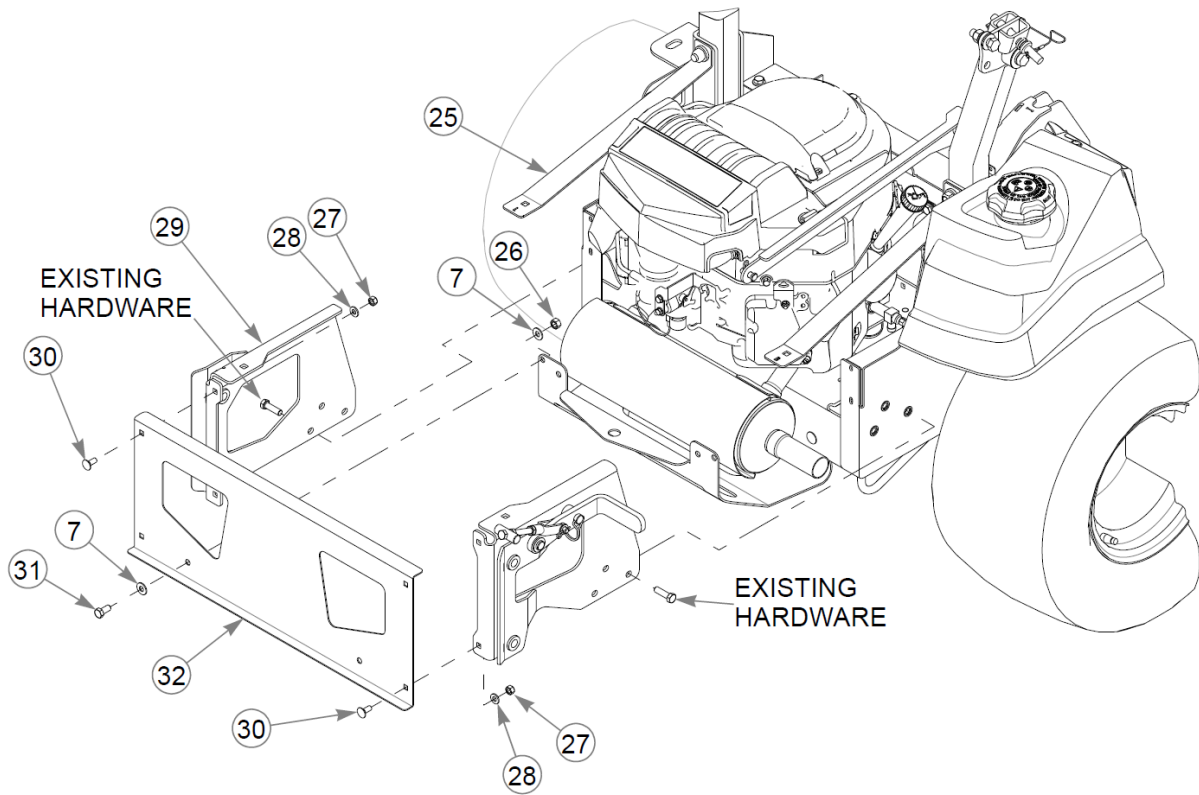
# Handle

Item	Part No.	Qty	Name
1	128074-1	1	HANDLE MNT W/A
2	128079-1	1	HANDLE W/A
3	712893	1	FW 0.406X1.25X.12 HD ZN
4	086660	1	NT .375-16NLG8
5	603113	1	CB .375-16X1.250 G5 ZN
6	608233	1	GRIP, DECK LIFT
7	128083-1	1	LATCH NUT W/A
8	601580	1	COMPRESSION SPRING
9	608320	1	THUMB PLUNGER

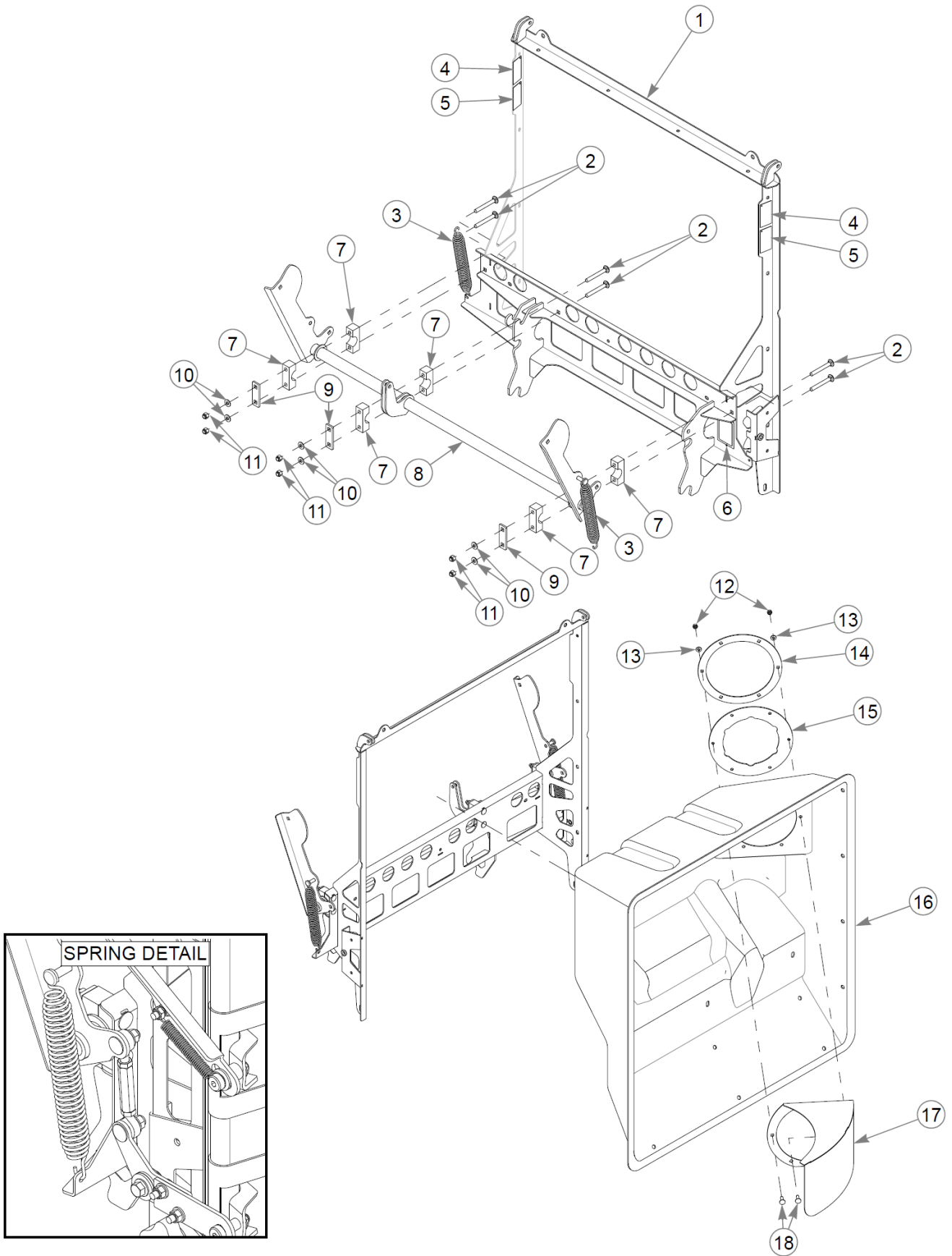


This page intentionally left blank

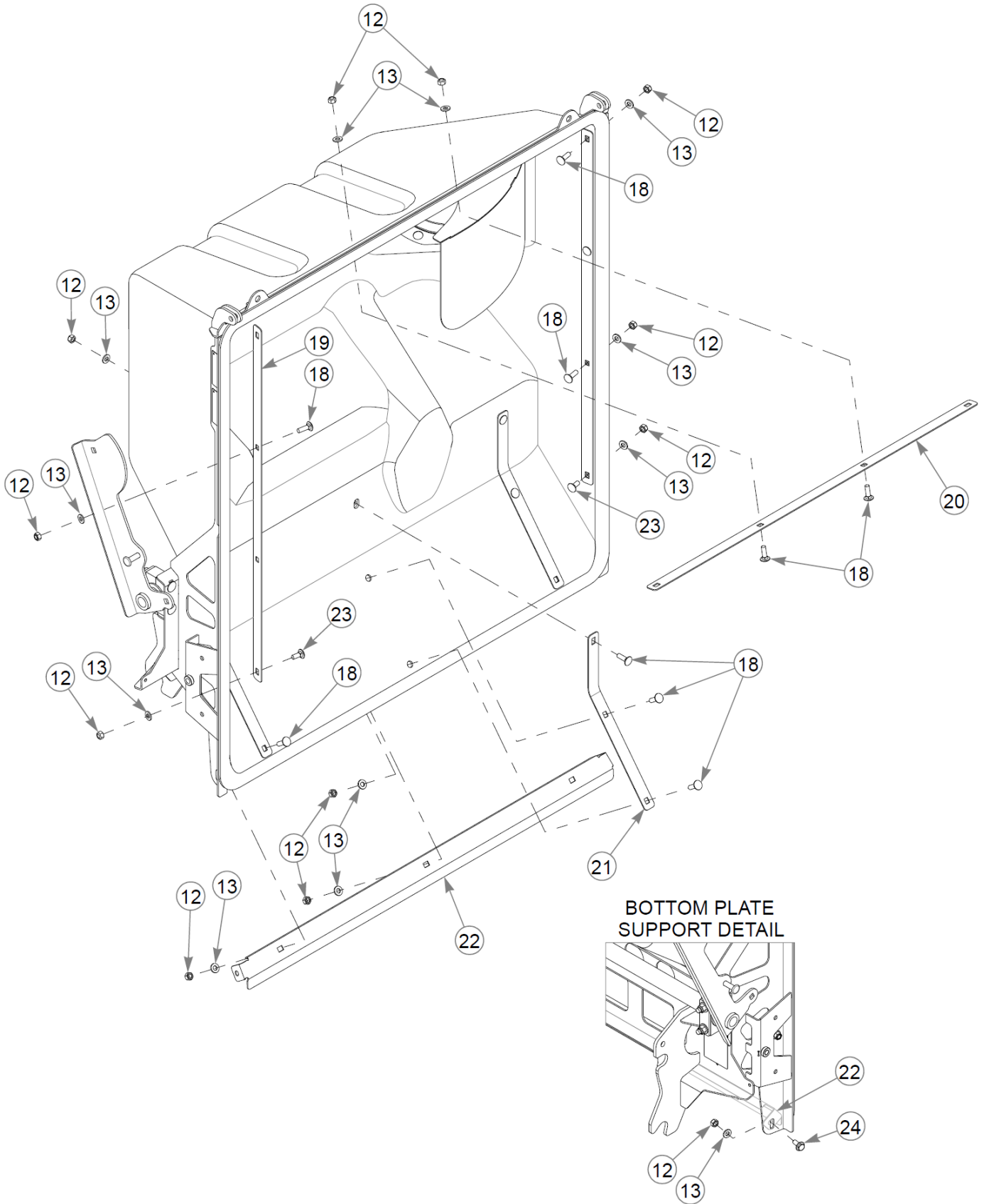




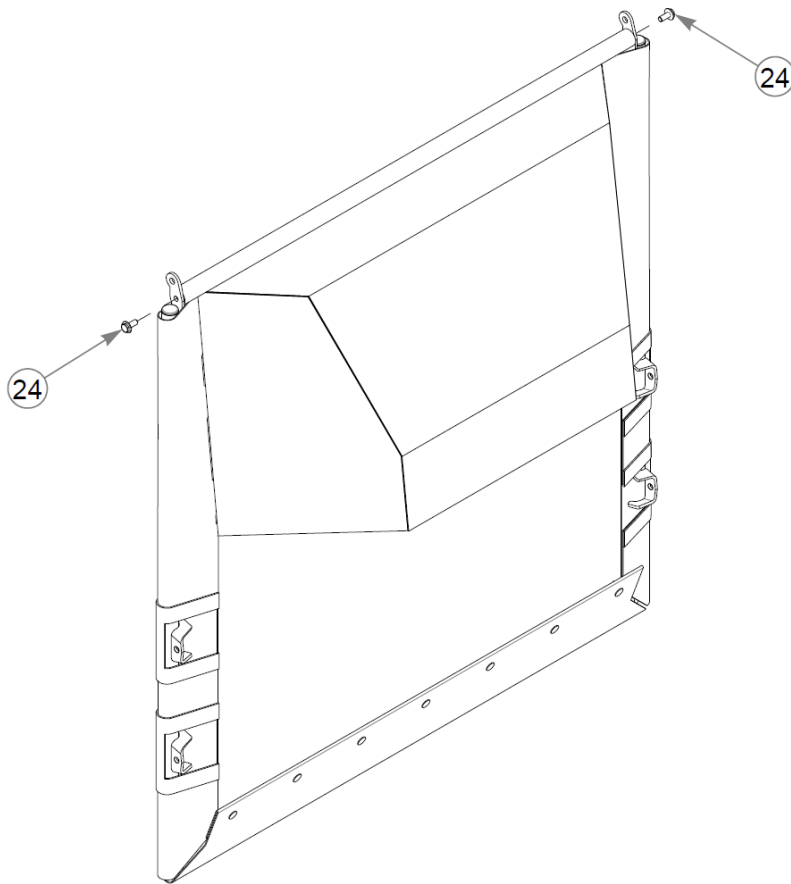
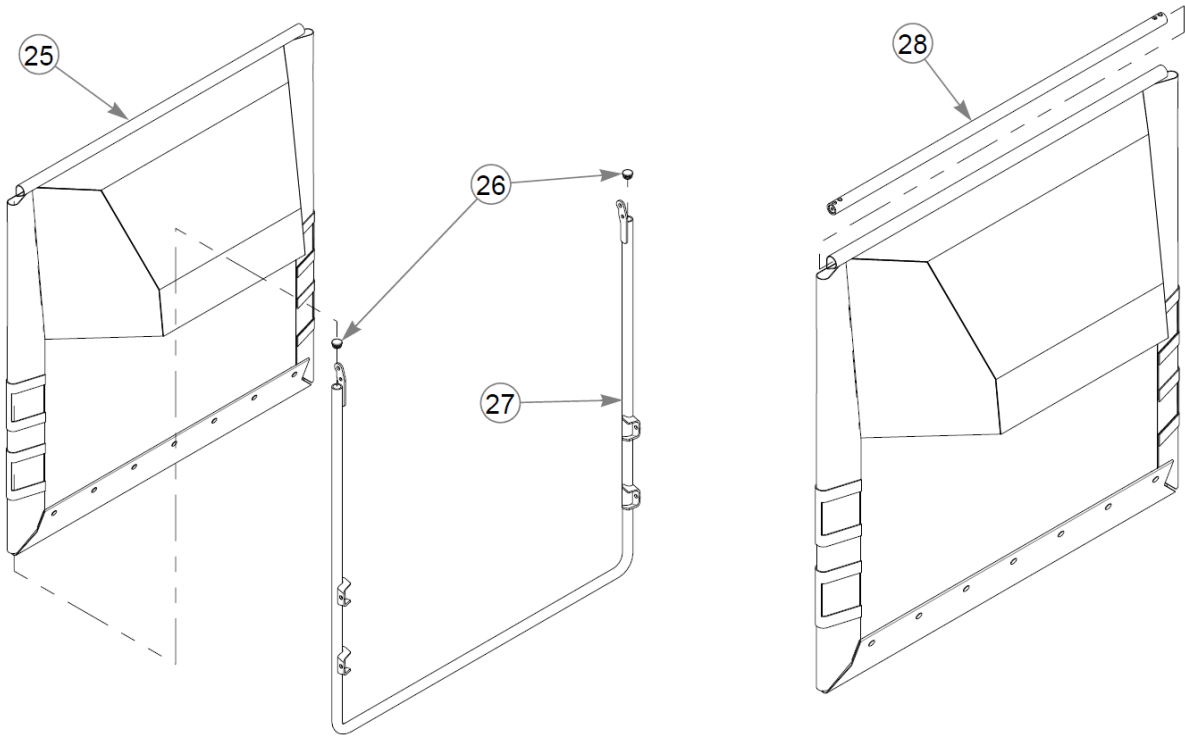
Item	Part No.	Qty	Name
1	556321	1	HANDLE F/A
2	608568	3	CB .500-13 X 3.500 G5
3	000174	2	CE .375X1.25 .156X1.09
4	706549	3	HP0.080X1.190
5	603868	1	.375-24 STEEL ROD END
6	706176	4	NT .375-24JAMG5
7	767954	8	FW 0.379X.82X.06 HD ZN
8	128086-1	1	DRIVE LINK W/A
9	023317	3	NT .500-13UNTG8
10	767962	3	FW .531 x 1.063 x .175
11	608729	2	SHIM CARD
12	025395	2	CB .375-16X 1.00 G5 ZN
13	128211-1	1	TENSION BRACE, RIGHT
14	086660	2	NT .375-16NLG8
15	608688	1	CS 0.375-24 X 3.50 HX G5
16	607970	1	PIVOT, DECK LIFT
17	608687	1	YOKE, .375-24 X 1.63
18	704718	2	FW .406X .688X.060 ZN
19	128068-1	1	MNT W/A, RIGHT
20	017301	1	HP .125 X2.375 ZN
21	004168	2	FW .531x1.00x.090 ZN
22	068056	1	CE .500X1.50 .150X1.32
23	608563	1	CE .375 X 1.07 W/ BALE
24	128085-1	1	DRAW LATCH PLT
25	128212-1	1	TENSION BRACE, LEFT
26	054502	2	NT .375-16HXG5
27	058776	4	NT .312-18NLG5
28	768523	4	FW 0.343SAE
29	128065-1	1	MNT W/A, LEFT
30	016253	4	CB .312-18X .750 FUL ZN
31	055822	2	CS .375-16X0.75 HX G5 ZN
32	128071-1	1	ENGINE GUARD
33		1	CATCHER FRAME
34	608256	1	CE .375 X .75 USABLE
35	604887	1	CE .375 X 3.00 W/BALE



This page intentionally left blank

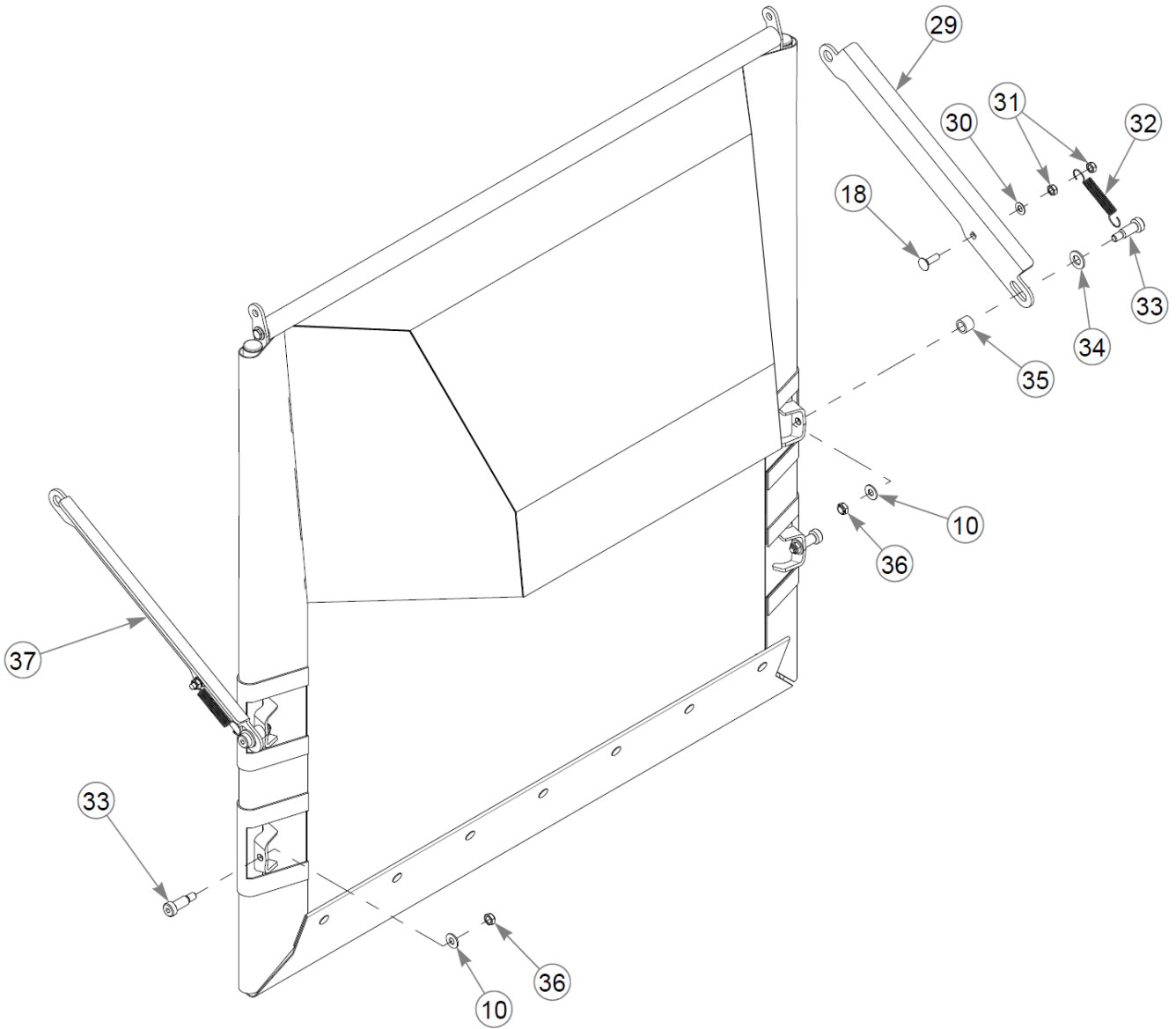


This page intentionally left blank

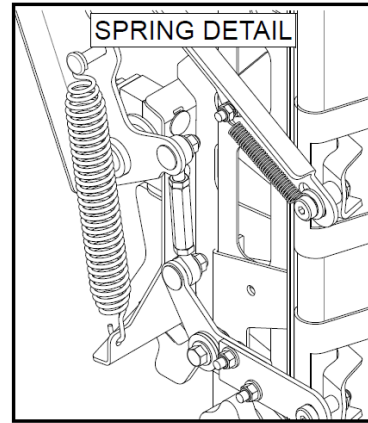
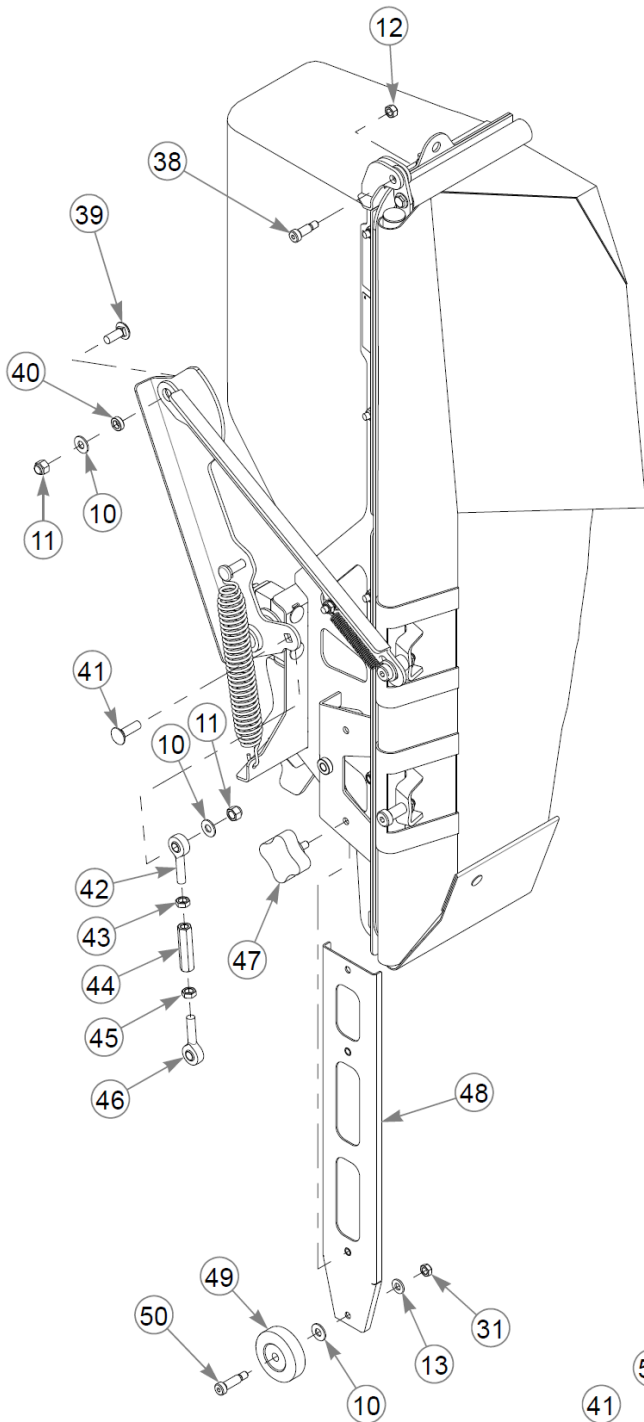


This page intentionally left blank

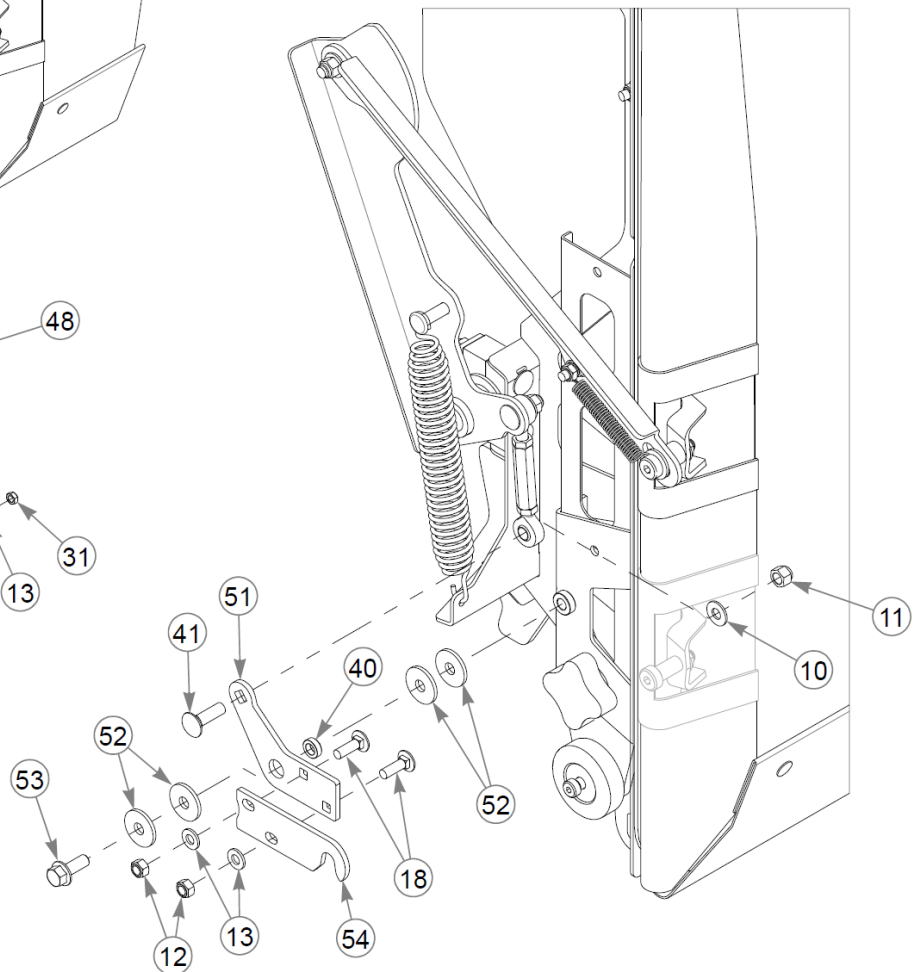




This page intentionally left blank



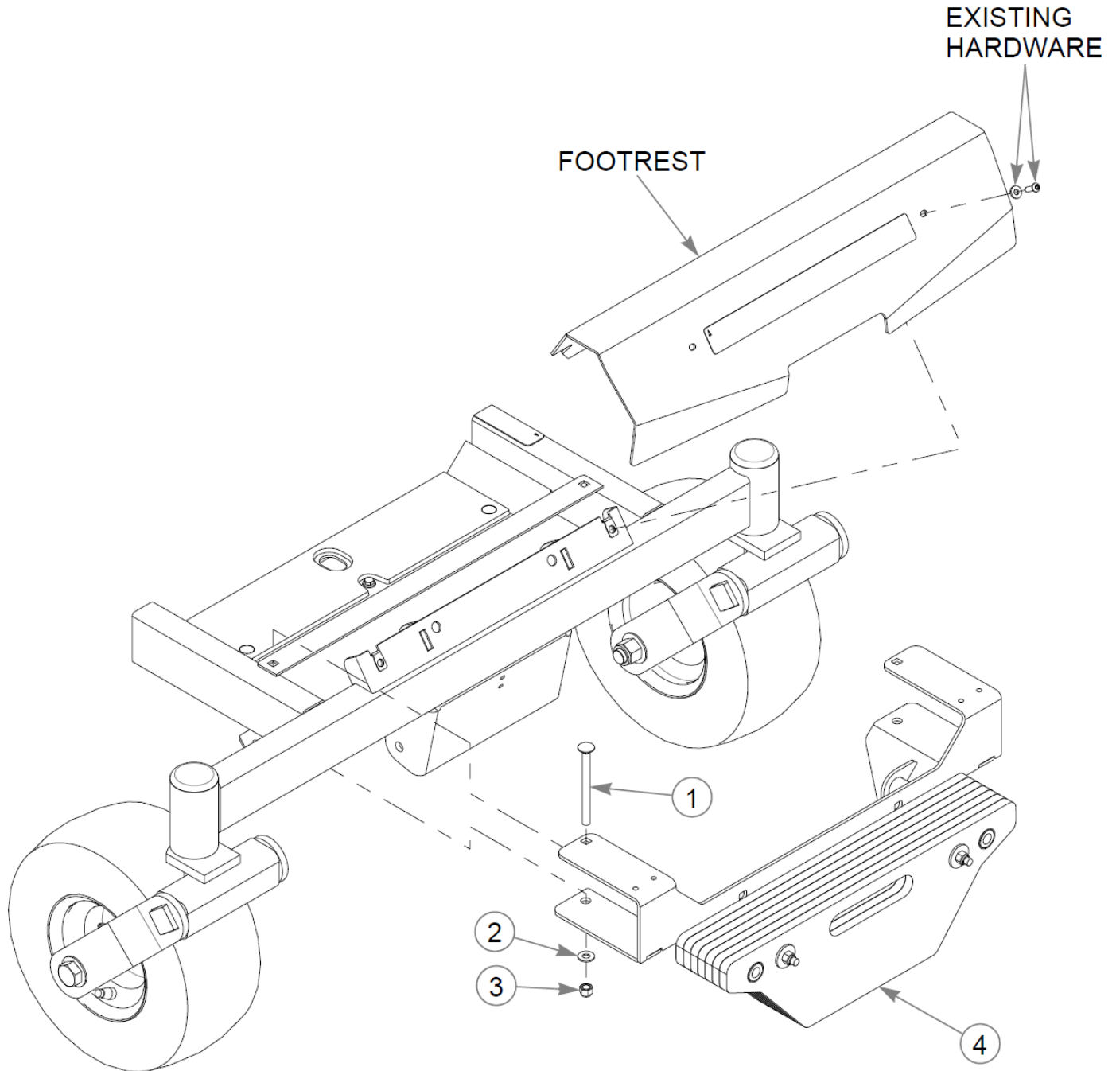
LEFT SIDE SHOWN  
RIGHT SIDE SIMILAR



Item	Part No.	Qty	Name
1		1	FRAME
2	606681	6	CB .375-16 x 3.000 G5
3	607616	2	SPRING, DECK IDLER
4	603940	2	DECAL DUMP FROM SEAT
5	603967	2	DECAL, PINCH POINT
6	N/A	1	SERIAL NUMBER / SPEC DECAL
7	608692	6	BUSHING, LID CRANK
8	128047-1	1	CRANK W/A
9	128118-1	3	CLAMP PLT, BEARING BLOCK
10	767954	18	FW 0.379X.82X.06 HD ZN
11	086660	12	NT .375-16NLG8
12	058776	35	NT .312-18NLG5
13	768523	35	FW 0.343SAE
14	128056-1	1	CLAMP PLT, INLET
15	608691	1	INLET SEAL
16	608590	1	CATCHER SHELL
17	128060-1	1	DEFLECTOR W/A
18	037887	31	CB .312-18X 1.000 FUL ZN
19	128052-1	2	CLAMP PLT, SIDE
20	128053-1	1	CLAMP PLT, TOP
21	128054-1	3	SUPPORT PLT, INSIDE
22	128055-1	1	SUPPORT PLT, BOTTOM
23	016253	2	CB .312-18X .750 FUL ZN
24	029710	4	CS .312-18X .750 HXFLK
25	608696	1	LID BAG ASSY
26	608695	2	PLUG, ROUND TUBE
27	128119-1	1	LID FRAME W/A
28	128122-1	1	LID CROSS TUBE W/A
29	128057-1	1	DRIVE LINK, RIGHT
30	604252	2	FW .340X.68X.04 ZN
31	604251	6	NT .312-18 HXNL JAM G2ZN
32	608726	2	SPRING, EXTENSION
33	740878	4	SB0.500X1.000SH0.375-16
34	004168	2	FW .531x1.00x.090 ZN
35	608763	2	SPACER, .75 X .56 X .11
36	603846	4	NT .375-16 HX NL JAM ZN

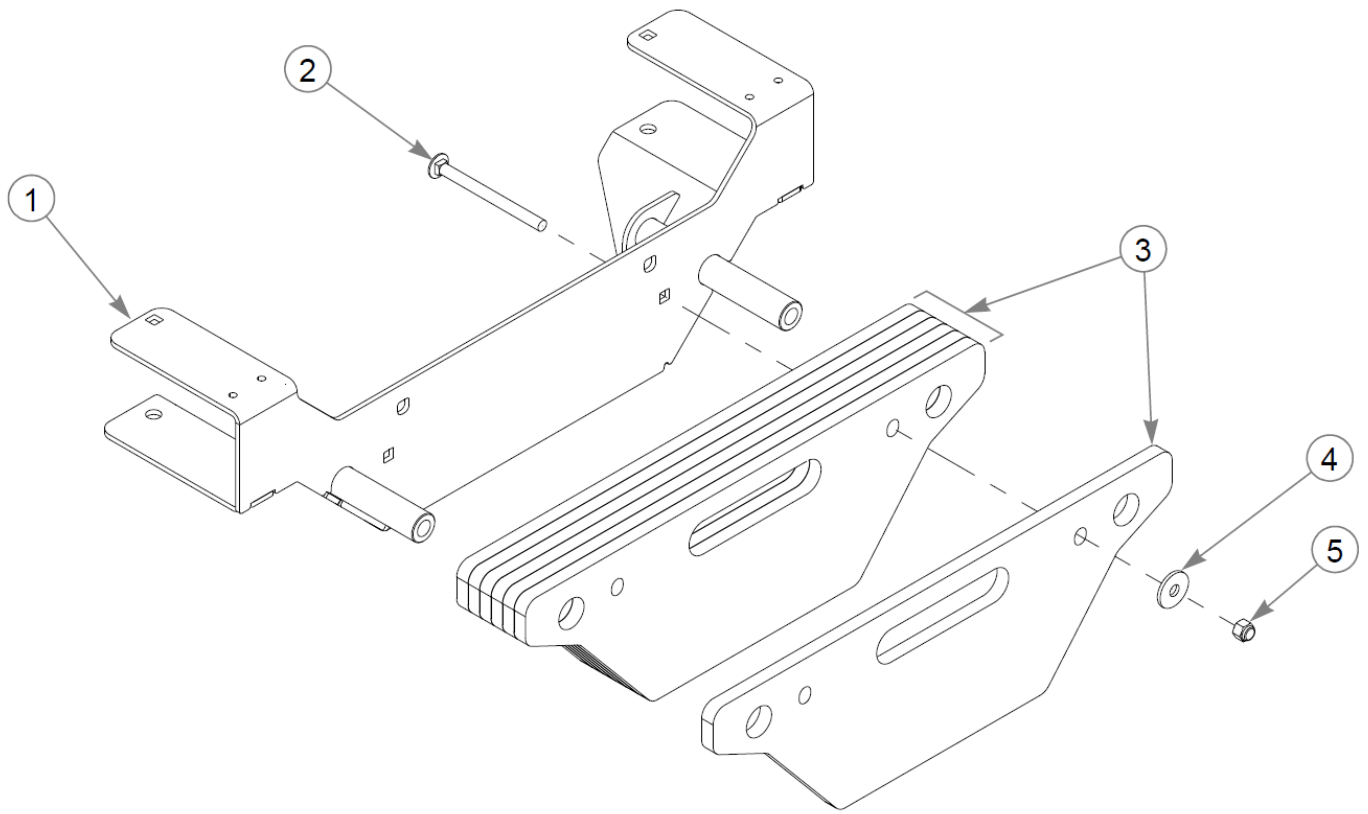
This page intentionally left blank

Item	Part No.	Qty	Name
37	128058-1	1	DRIVE LINK, LEFT
38	032581	2	SB .375X .750 SH.312-18
39	025395	2	CB .375-16X 1.00 G5 ZN
40	608052	4	PIVOT SPACER BUSHING
41	603113	4	CB .375-16X1.250 G5 ZN
42	603868	2	.375-24 STEEL ROD END
43	706176	2	NT .375-24JAMG5
44	608693	2	TURNBUCKLE, 2.25 X .563
45	603873	2	NT .375-24 LH HX JAM ZN
46	603869	2	.375-24 STEEL ROD END
47	792002	2	KNOB,5/16-18 X 3/4"MALE
48	128063-1	2	WHEEL MNT W/A
49	760181	2	WHEEL 2.5x.75 3/8 BORE
50	778522	2	SB .375X1.000 SH.312-18
51	128166-1	2	LATCH BASE PLT
52	712893	8	FW 0.406X1.25X.12 HD ZN
53	029751	2	CS .375-16X1.00 HXF G5ZN
54	128167-1	2	LATCH HOOK PLT



Item	Part No.	Qty	Name
1	608567	2	CB .375-16 X 4.500 G5
2	767954	2	FW 0.379X.82X.06 HD ZN
3	086660	2	NT .375-16NLG8
4		1	REFER TO "WEIGHT MOUNT BREAKDOWN"





# Weight Mount Breakdown

Item	Part No.	Qty	Name
1	127880-6	1	WEIGHT MNT W/A
2	608567	2	CB .375-16 X 4.500 G5
3	608586-6	7	WEIGHT, 12.5 LB PNT
4	712893	2	FW 0.406X1.25X.12 HD ZN
5	086660	2	NT .375-16NLG8