

Hustler® Parts Manual



HUSTLER®
TURF EQUIPMENT

200 South Ridge Road

Hesston, Kansas

67062



NOTICE OF REQUIREMENT OF SPARK ARRESTER MUFFLER

This equipment may create sparks that can start fires around dry vegetation. California Public Resources Code Section 4442.6 provides that it is unlawful to use or operate an internal combustion engine on any forest-covered, brush-covered, or grass-covered land unless the engine is equipped with a spark arrester maintained in effective working order. A spark arrester is a device constructed of nonflammable materials specifically for the purpose of removing and retaining carbon and other flammable particles over 0.0232 of an inch in size from the exhaust flow of an internal combustion engine that uses hydrocarbon fuels or which is qualified and rated by the United States Forest Service. Other states or federal areas may have similar laws. The Operator Should Contact Local Fire Agencies For Laws or Regulations Relating to Fire Prevention Requirements. **THIS EQUIPMENT DOES NOT HAVE A SPARK ARRESTER AND YOU SHOULD CONTACT YOUR AUTHORIZED DEALER FOR THE PURCHASE OF A SPARK ARRESTER.**

Inspect spark arrester daily; replace every 500 hours or as needed.

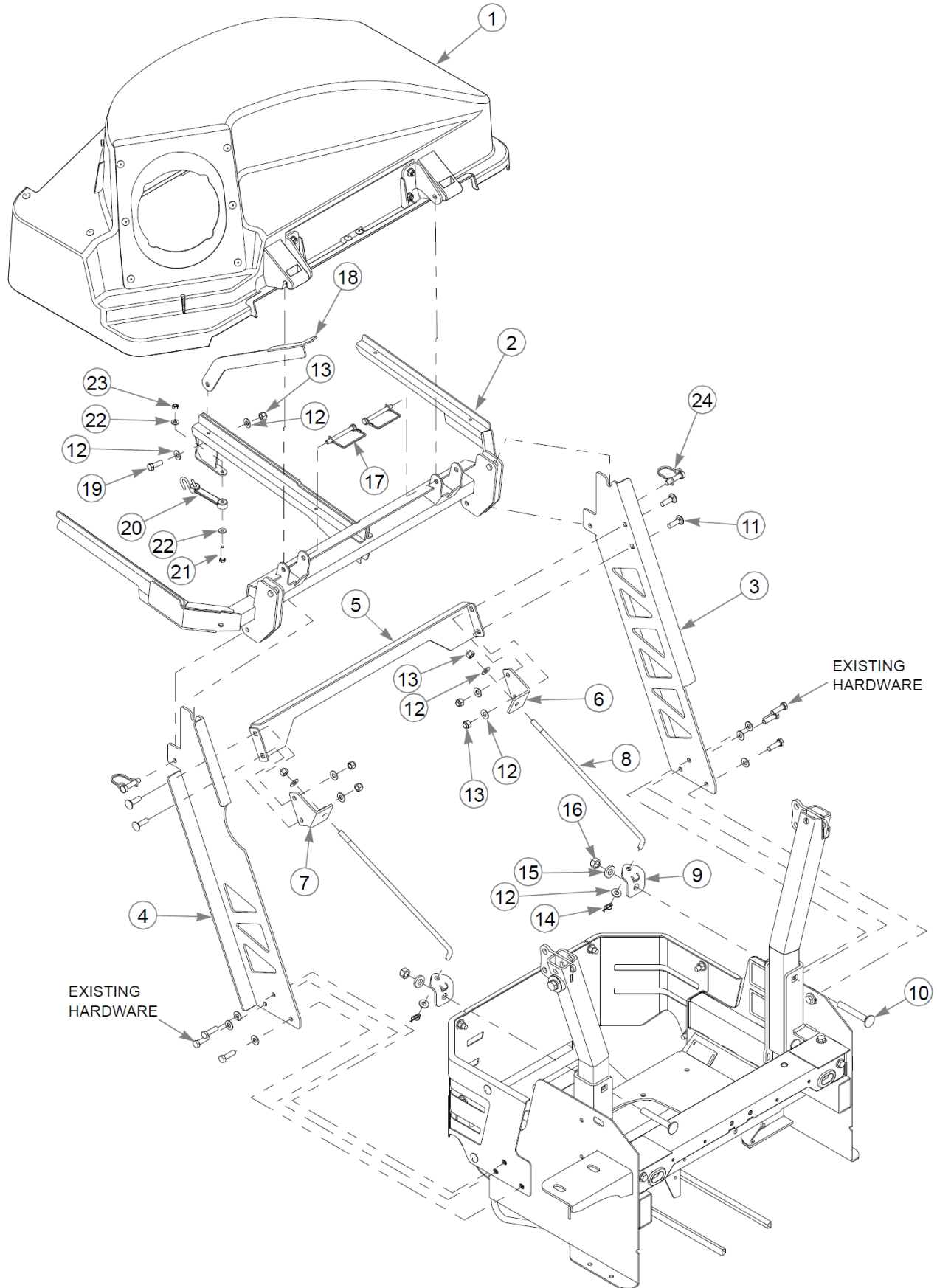
The Engine Owner's Manual provides information regarding the U.S. Environmental Protection Agency (EPA) and the California Emission Control Regulation of emission systems, maintenance and warranty.

Keep Engine Owner's Manual with your unit. Should the Engine Owner's Manual become damaged or illegible, replace immediately. Replacements may be ordered per the information found in the Product Information section of the owner's manual.

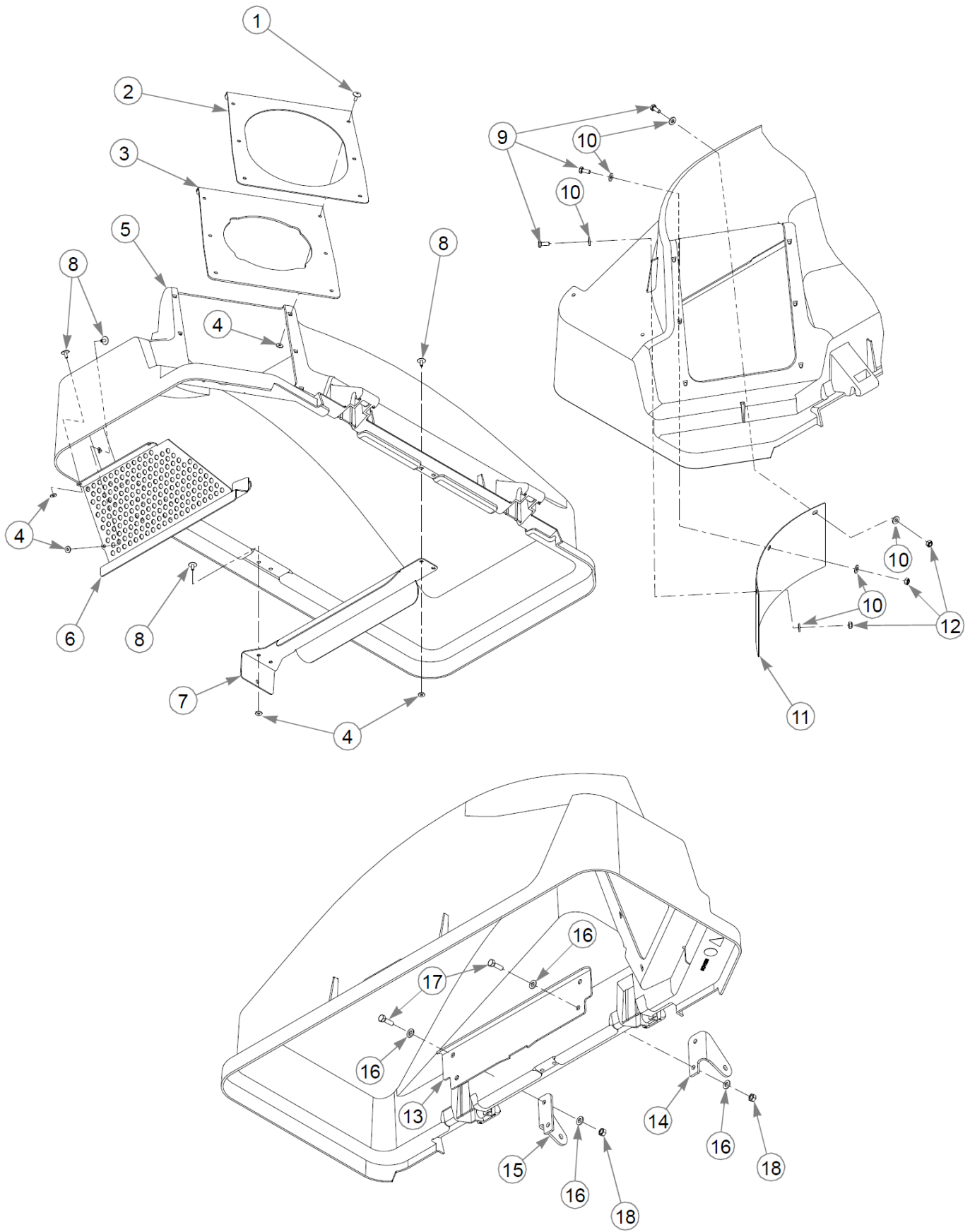
Federal law and California State law prohibit the following acts or the causing thereof:

1. The removal or rendering inoperative by any person other than for purposes of maintenance, repair, replacement, of any device or element of design incorporated into any equipment for the purposes of emissions control prior to or after its sales or delivery to the ultimate purchaser or while it is in use, or
2. The use of the equipment after such device or element of design has been removed or rendered inoperative by any person.

Catcher Frame	1
Catcher Lid	2
Catcher Weight Mount	3
Catcher Chute & Pulley Cover	4
Blower	5
Catcher Bag - 555789	6



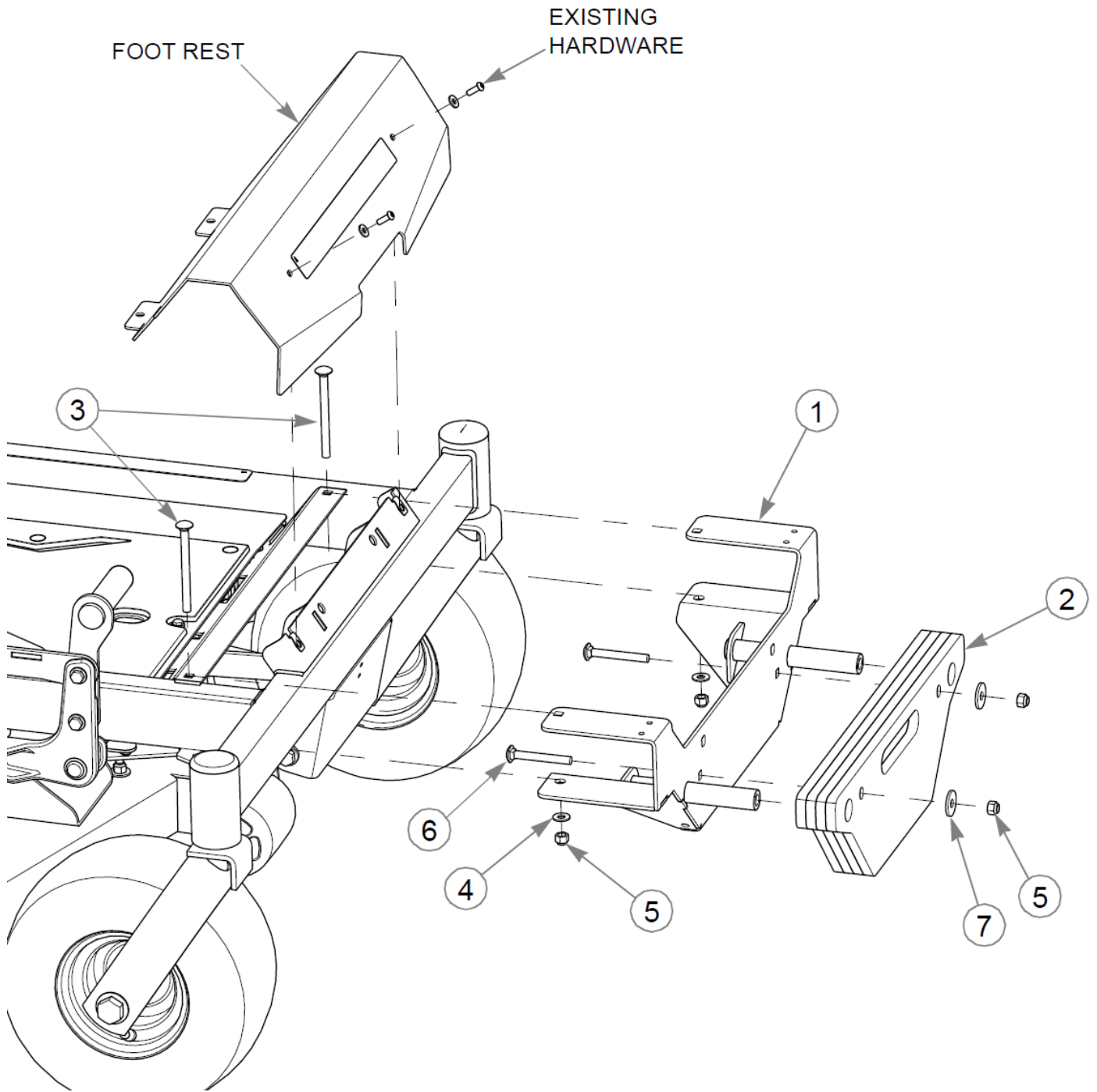
Item	Part No.	Qty	Name
1	552396	1	SERVICE LID
Comments for Part Num. 552396			
552396 CATCHER LID comes assembled with the bag divider, catcher vent, stiffener plate, debris guide, hinge brackets, catcher inlet seal and hardware.			
2	127840-1	1	CATCHER, FRAME W/A
3	127847-1	1	CATCHER, L MNT PLT
4	127848-1	1	CATCHER, R MNT BRKT
5	127849-1	1	CATCHER, BRACE
6	127851-1	1	CATCHER, L TENSION BRKT
7	127850-1	1	CATCHER, R TENSION BRKT
8	608562	2	TENSION ROD
9	127852-1	2	CATCHER, TENSION ROD MNT
10	608568	2	CB .500-13 X 3.500 G5
11	603113	4	CB .375-16X1.250 G5 ZN
12	767954	10	FW 0.379X.82X.06 HD ZN
13	086660	7	NT .375-16NLG8
14	607093	2	CP, RUE RING .054 X .392
15	767962	2	FW .531 x 1.063 x .175
16	023317	2	NT .500-13UNTG8
17	604887	2	CE .375 X 3.00 W/BALE
18	126908-1	1	CATCHER, PROP ROD
19	036244	1	CS .375-16X1.00 HX G5 ZN
20	604475	2	BUNGEE
21	704916	1	CS .250-20X1.250HXG5
22	768515	2	FW 0.281SAE
23	068551	1	NT .250-20 HXZY NL
24	608563	2	CE .375 X 1.07 W/ BALE



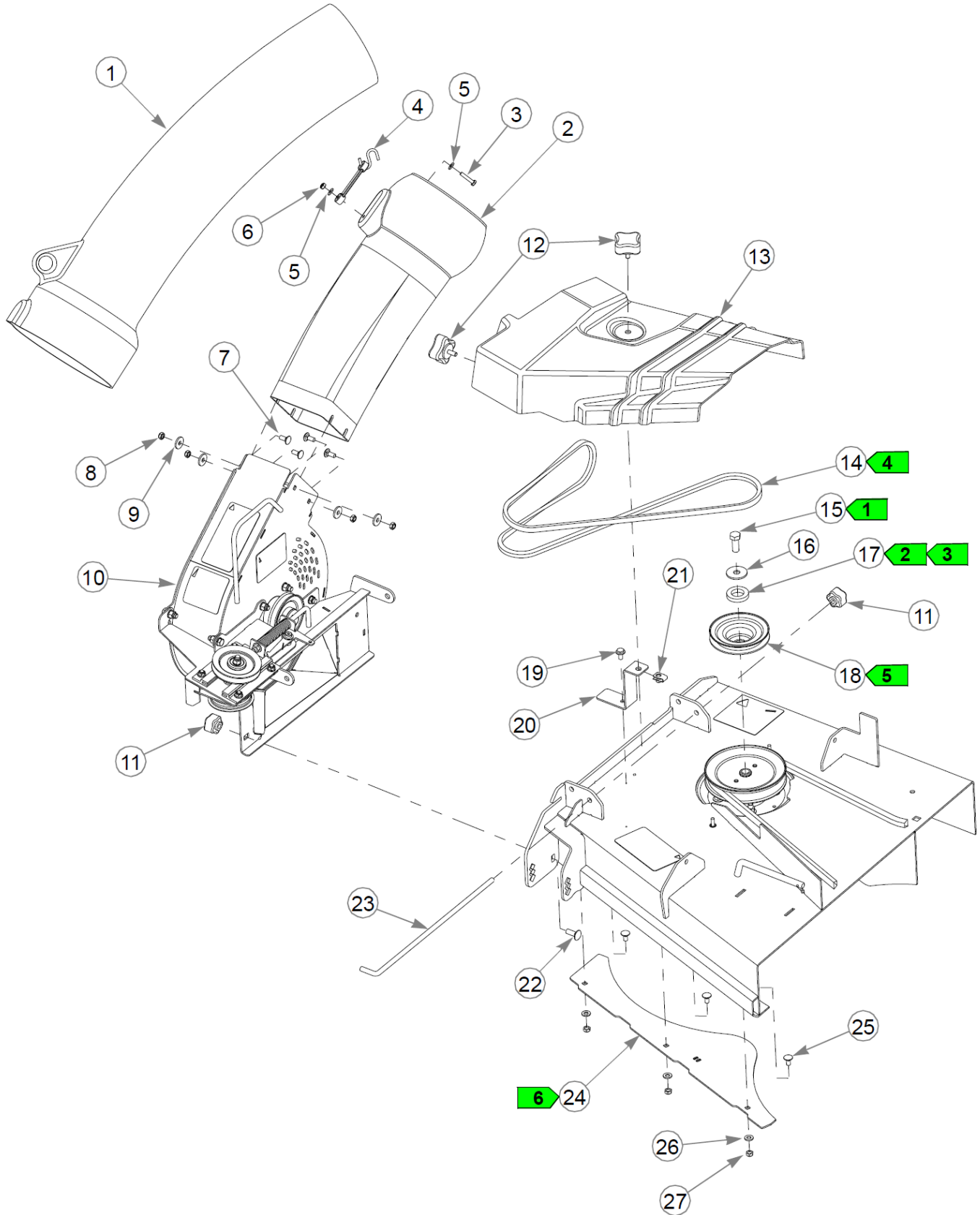
Catcher Lid

FasTrak 2-Bag Catcher 48" / 54" / 60" Parts Manual

Item	Part No.	Qty	Name
1	603398	6	RIVET, BLIND
2	117501	1	CATCHER INLET
3	604394	1	INLET SEAL
4	603400	13	FW .188"X .50"X .060
5	604393	1	CATCHER LID
6	117678	1	CATCHER VENT
7	117584	1	BAG DIVIDER
8	604805	7	BLIND RIVET ALUM/STEEL
9	064329	3	CS .250-20X0.625HXG5
10	768515	6	FW 0.281SAE
11	118562	1	DEBRIS GUIDE
12	068551	3	NT .250-20 HXZY NL
13	120884	1	STIFFENER PLATE
14	120882	1	HINGE BRACKET RS
15	120883	1	HINGE BRACKET LS
16	768523	8	FW 0.343SAE
17	036236	4	CS .312-18X1.000HXG5
18	034272	4	NT .312-18HXG5



Item	Part No.	Qty	Name
1	127880-3	1	WEIGHT MOUNT
2	608586-3	4	WEIGHT, 12.5 LB PLT
3	608567	2	CB .375-16 X 4.500 G5
4	767954	2	FW 0.379X.82X.06 HD ZN
5	086660	4	NT .375-16NLG8
6	606681	2	CB .375-16 x 3.000 G5
7	712893	2	FW 0.406X1.25X.12 HD ZN



Item	Part No.	Qty	Name
1	604387	1	CATCHER CHUTE, LID SIDE
2	608196	1	CHUTE, BLOWER OUTLET
3	704916	1	CS .250-20X1.250HXG5
4	604475	1	BUNGEE
5	768515	2	FW 0.281SAE
6	068551	1	NT .250-20 HXZY NL
7	016253	4	CB .312-18X .750 FUL ZN
8	604251	4	NT .312-18 HXNL JAM G2ZN
9	712927	4	FW 0.344X1.00X.12 HD ZN
10		1	REFER TO "BLOWER ASSEMBLY BREAKDOWN"
11	608229	2	KNOB, .375-16 FEMALE
12	792002	2	KNOB,5/16-18 X 3/4"MALE
13	608564	1	PULLEY COVER
14	607963	1	BELT, HA SECTION
	608218	1	BELT, HA SECTION
	608217	1	BELT, HA SECTION
15	705954	1	CS .500-13X1.25 HX G5 ZN
16	798603	1	FW .515X1.65X.12 HD ZN
17	604777	1	SPINDLE SPACER
	608215	1	FW 1.030 X 1.500 X 0.250
18	608213	1	PULLEY, V DRIVE 4.50"EFF
	608214	1	PULLEY, V DRIVE 3.50" EF
19	799130	1	CS .312-18X .625 HXFL
20	126876-1	1	BLOWER, COVER MNT BRKT
21	601069	1	CN .312-18x.200 MAX THK
22	025395	1	CB .375-16X 1.00 G5 ZN
23	602432	1	PIN, CHUTE
24	126986-1	1	DROP PLT, R SIDE
	126987-1	1	DROP PLT, R SIDE
	126988-1	1	DROP PLT, R SIDE
25	083147	3	CB .312-18X .620 G5 ZN
26	768523	3	FW 0.343SAE
27	604251	3	NT .312-18 HXNL JAM G2ZN

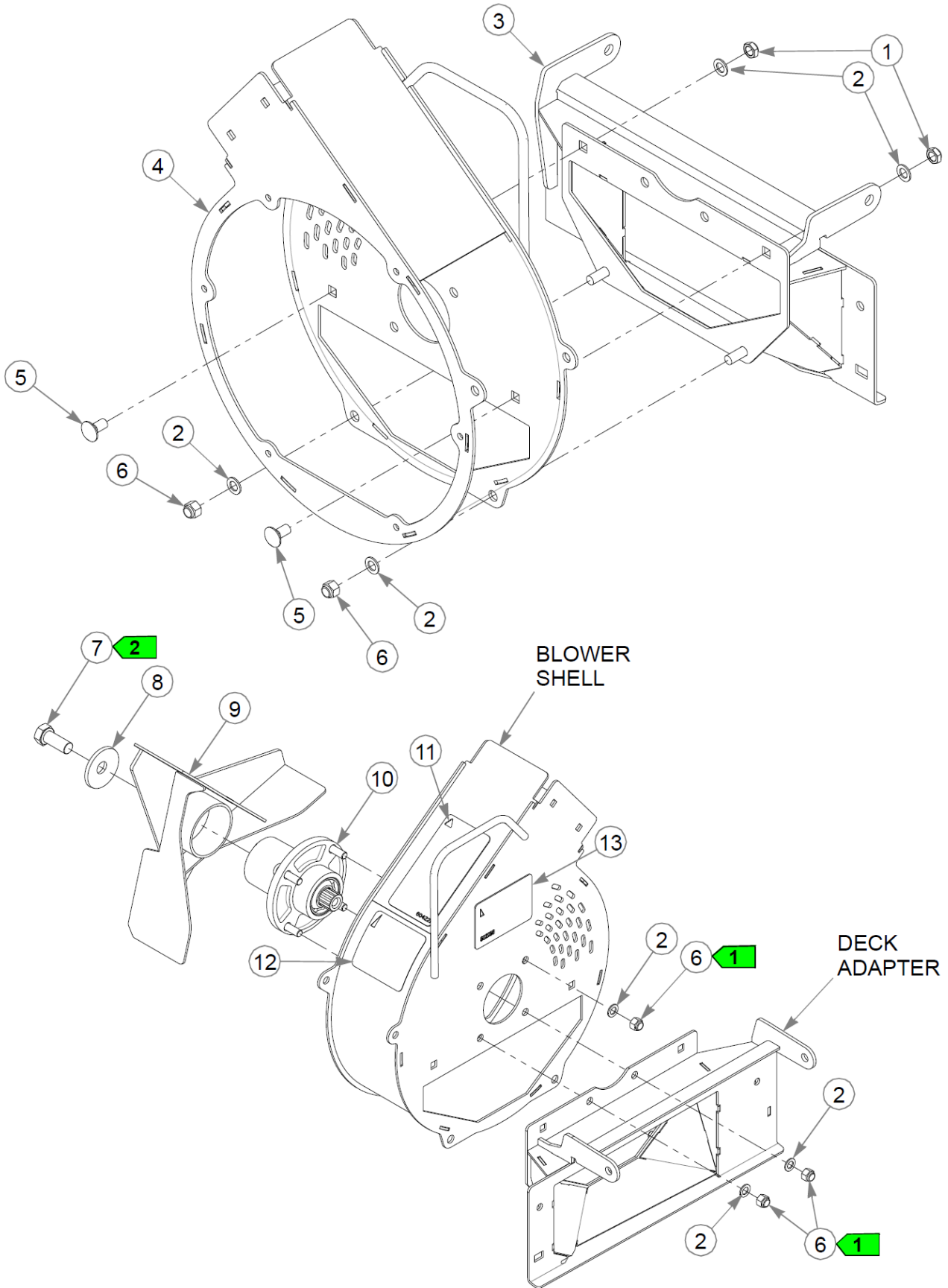
Comments for Page: Catcher Chute & Pulley Cover

Catcher Chute & Pulley Cover

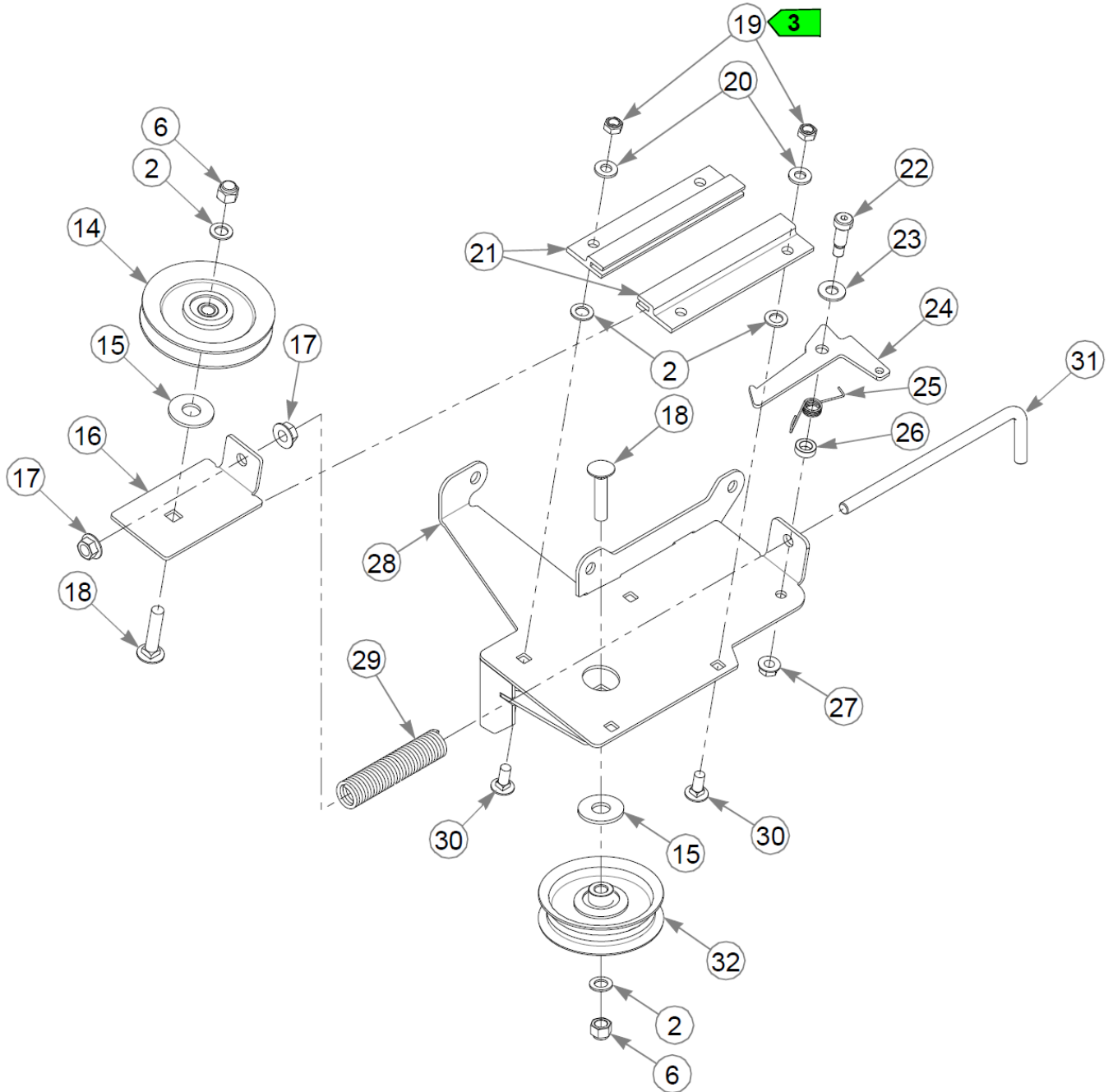
FasTrak 2-Bag Catcher 48" / 54" / 60" Parts Manual

1. Torque to 65–75 ft.-lbs.
2. Provided flat washer used with 48" and 54" decks, not used on 60" decks.
3. 60" decks use spindle spacers 604777.
48" & 54" decks use flat washer 608215.
4. 60" decks use blower belt 607963.
54" decks use blower belt 608218.
48" decks use blower belt 608217.
5. 60" decks use 4.50" pulley 608213.
48" & 54" decks use 3.50" pulley 608214.
6. 60" decks use drop plate 126986-1.
54" decks use drop plate 126987-1.
48" decks use drop plate 126988-1.

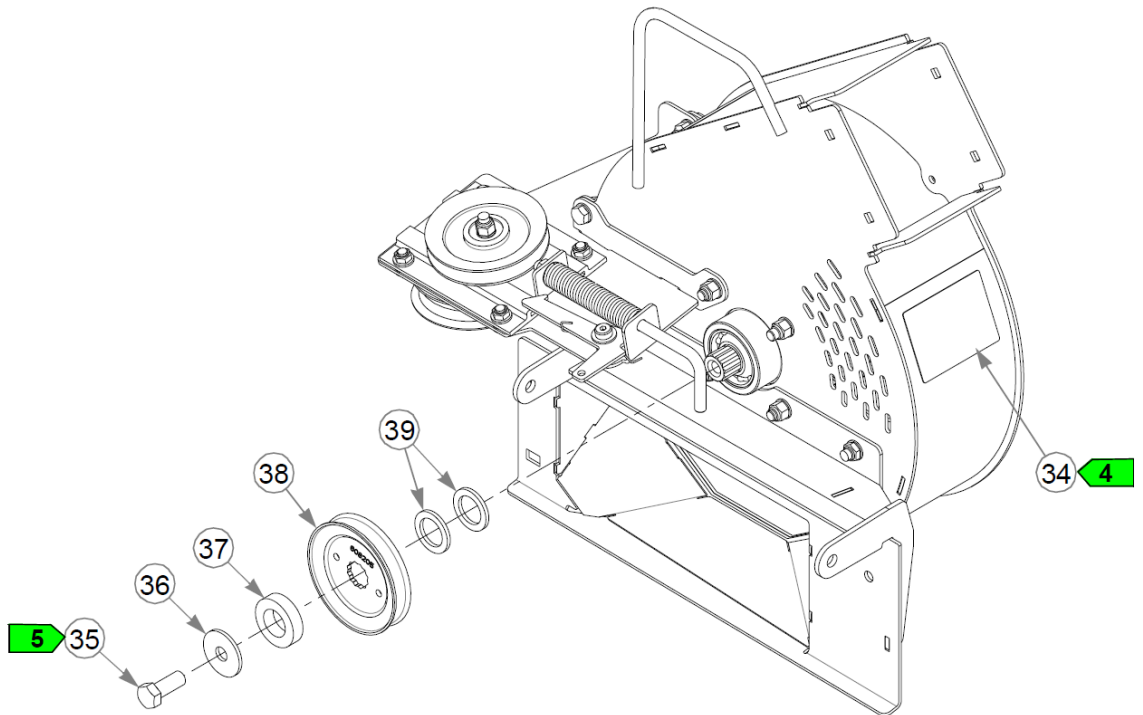
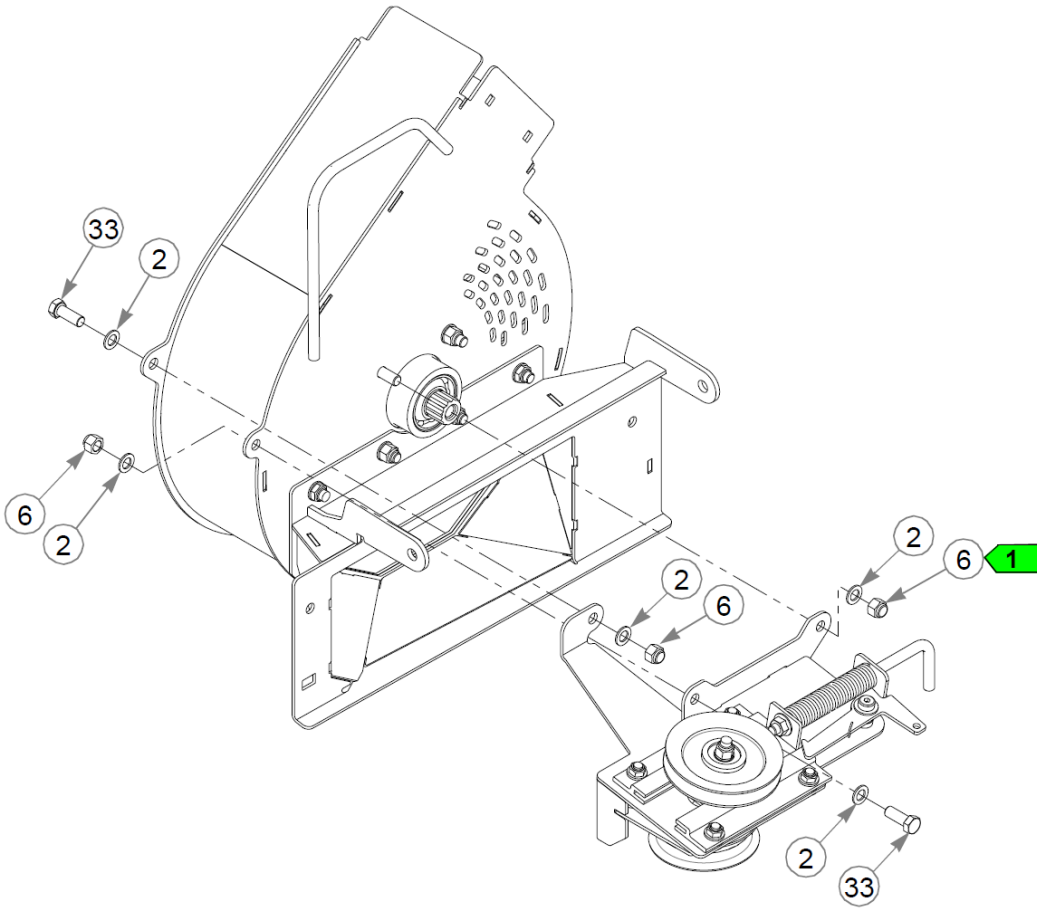
This page intentionally left blank



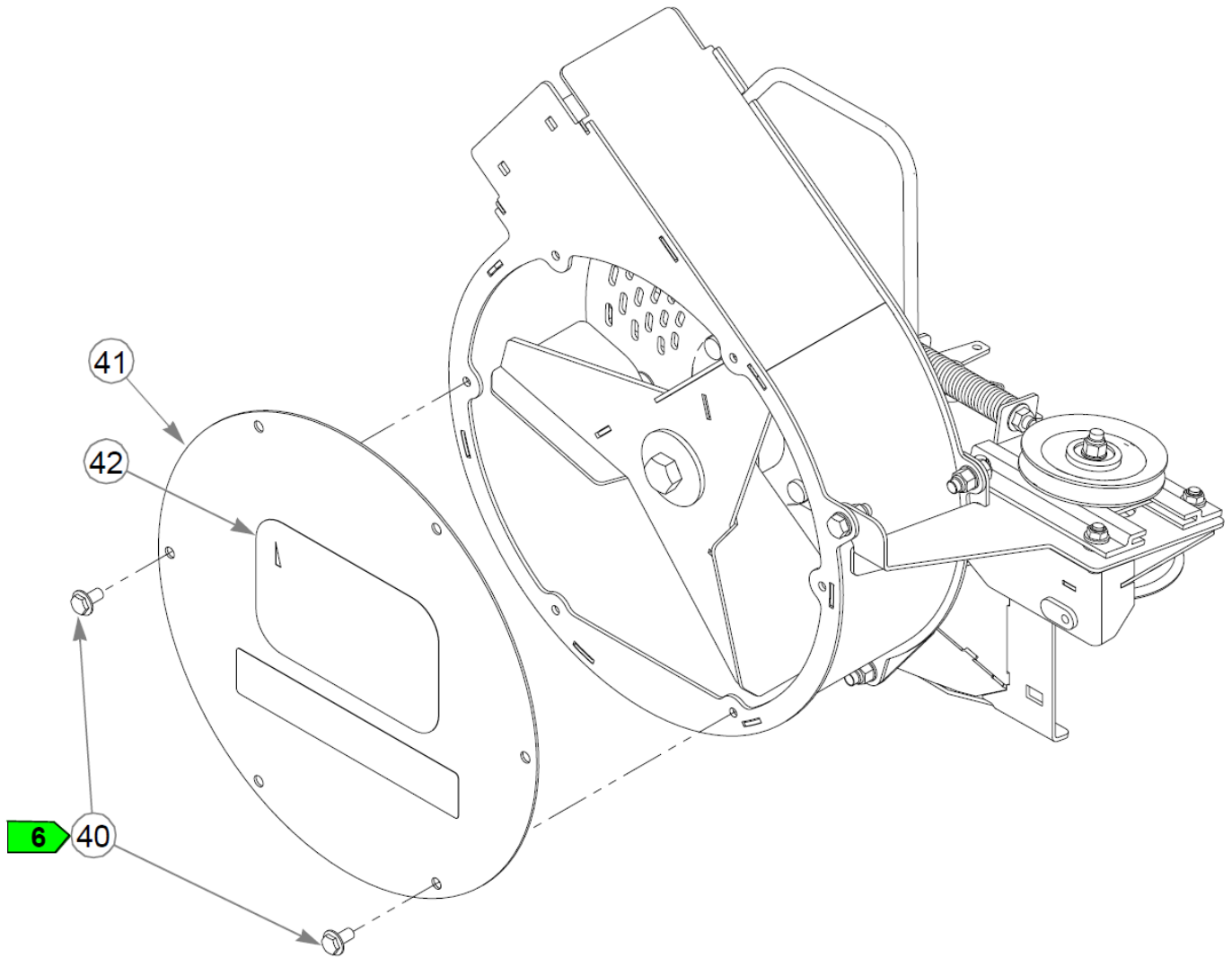
This page intentionally left blank



This page intentionally left blank



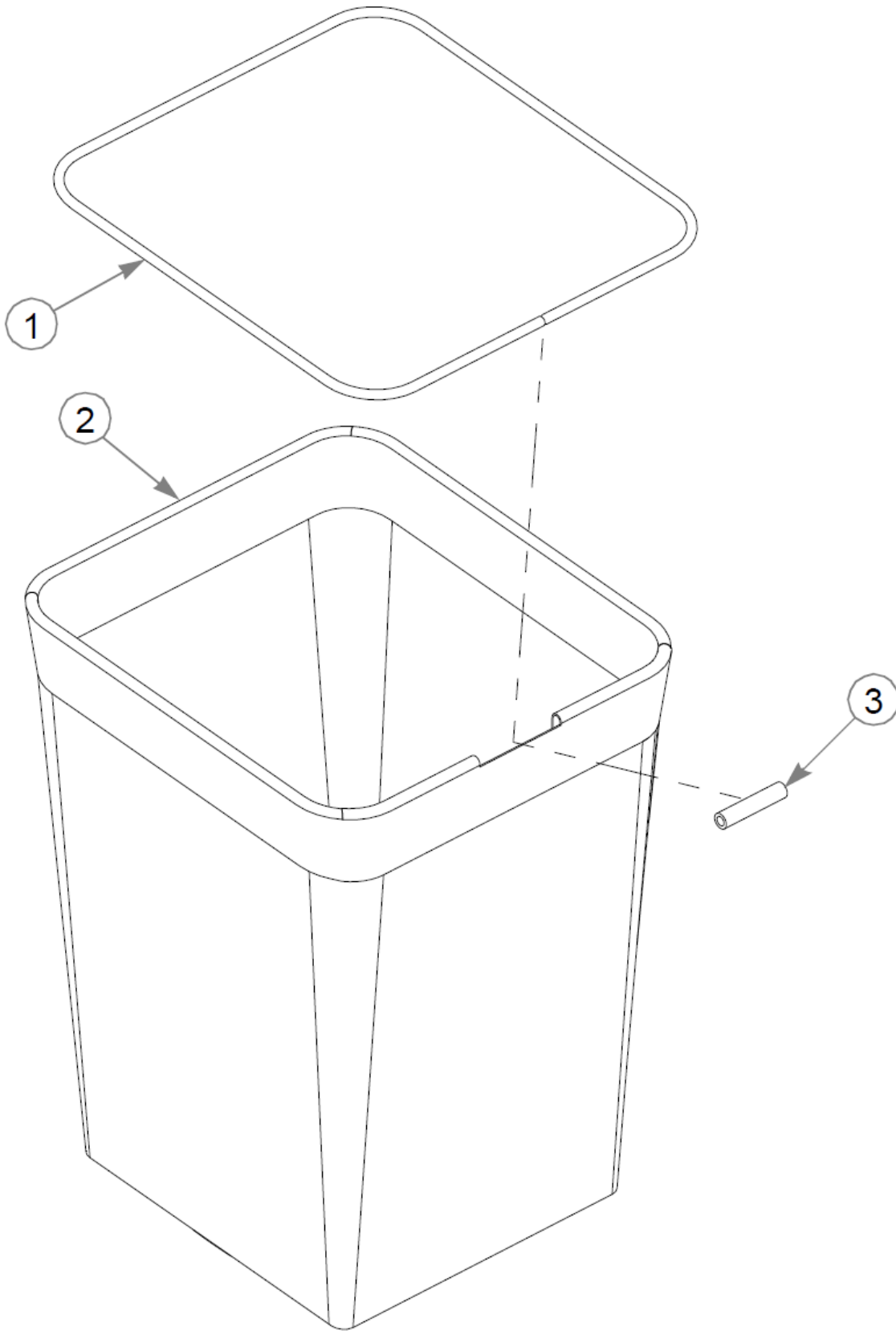
This page intentionally left blank



Item	Part No.	Qty	Name
1	603846	2	NT .375-16 HX NL JAM ZN
2	704718	18	FW .406X .688X.060 ZN
3	126864-1	1	DECK ADAPTER PNT
4	555795	1	SVC, BLOWER DECAL ASSY
5	011320	2	CB .375-16X .750 STD ZN
6	086660	10	NT .375-16NLG8
7	794446	1	CS .625-11X1.500HXG5
8	782474	1	CW .678 X 2.250 X .187
9	126920-1	1	IMPELLER PNT, BLOWER
10	607418	1	BLADE SPINDLE ASSY
11	604221	1	DECAL, DANGER / CHUTE
12	602757	1	DECAL, BLOWER DANGERS
13	602758	1	DECAL, EYES/EARS/FOOT
14	608202	1	PULLEY, V IDLER 4.00"EFF
15	017137	2	FW .560SAE
16	126873-1	1	TENSIONER SLED, PNT
17	016899	2	NT .375-16 FLKG5
18	606935	2	CB .375-16X 1.75 STD G5
19	604251	4	NT .312-18 HXNL JAM G2ZN
20	768523	4	FW 0.343SAE
21	604079	2	IDLER SLIDE, EXTRUDED
22	032581	1	SB .375X .750 SH.312-18
23	767954	1	FW 0.379X.82X.06 HD ZN
24	126874-2	1	TENSIONER, LATCH PNT
25	608204	1	SPRING, TORSION RH
26	601839	1	PIVOT SPACER BUSHING
27	016832	1	NT .312-18FLKG5
28	126852-1	1	TENSIONER BASE PNT
29	608203	1	SPRING, COMP 14LB, 35LB
30	016253	4	CB .312-18X .750 FUL ZN
31	608200	1	TENSIONER, PULL ROD
32	608201	1	PULLEY, F IDLER 3.25"OFF
33	036244	2	CS .375-16X1.00 HX G5 ZN
34	N/A	1	SERIAL NUMBER / SPEC DECAL
35	705954	1	CS .500-13X1.25 HX G5 ZN
36	798603	1	FW .515X1.65X.12 HD ZN

This page intentionally left blank

Item	Part No.	Qty	Name
37	604661	1	SPACER, SPINDLE PULLEY
38	608205	1	PULLEY, V DRIVE 4.0"EFF
39	045765	2	FW 1.030X1.50X.13 HD ZN
40	799130	6	CS .312-18X .625 HXFL
41	555796	1	SVC, ACCESS PANEL
42	604770	1	DECAL, "H" LOGO



Item	Part No.	Qty	Name
1	608209	1	BAG FRAME
2	608210	1	BAG, RXDX CATCHER
3	603293P	1	HOSE, .38" LOW PRSUR - 4 FT

Comments for Page: Catcher Bag - 555789

Hose Length: 3"