

Hustler® Parts Manual

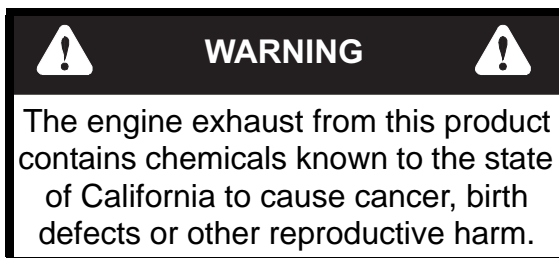


HUSTLER®
TURF EQUIPMENT

200 South Ridge Road

Hesston, Kansas

67062



NOTICE OF REQUIREMENT OF SPARK ARRESTER MUFFLER

This equipment may create sparks that can start fires around dry vegetation. California Public Resources Code Section 4442.6 provides that it is unlawful to use or operate an internal combustion engine on any forest-covered, brush-covered, or grass-covered land unless the engine is equipped with a spark arrester maintained in effective working order. A spark arrester is a device constructed of nonflammable materials specifically for the purpose of removing and retaining carbon and other flammable particles over 0.0232 of an inch in size from the exhaust flow of an internal combustion engine that uses hydrocarbon fuels or which is qualified and rated by the United States Forest Service. Other states or federal areas may have similar laws. The Operator Should Contact Local Fire Agencies For Laws or Regulations Relating to Fire Prevention Requirements. **THIS EQUIPMENT DOES NOT HAVE A SPARK ARRESTER AND YOU SHOULD CONTACT YOUR AUTHORIZED DEALER FOR THE PURCHASE OF A SPARK ARRESTER.**

Inspect spark arrester daily; replace every 500 hours or as needed.

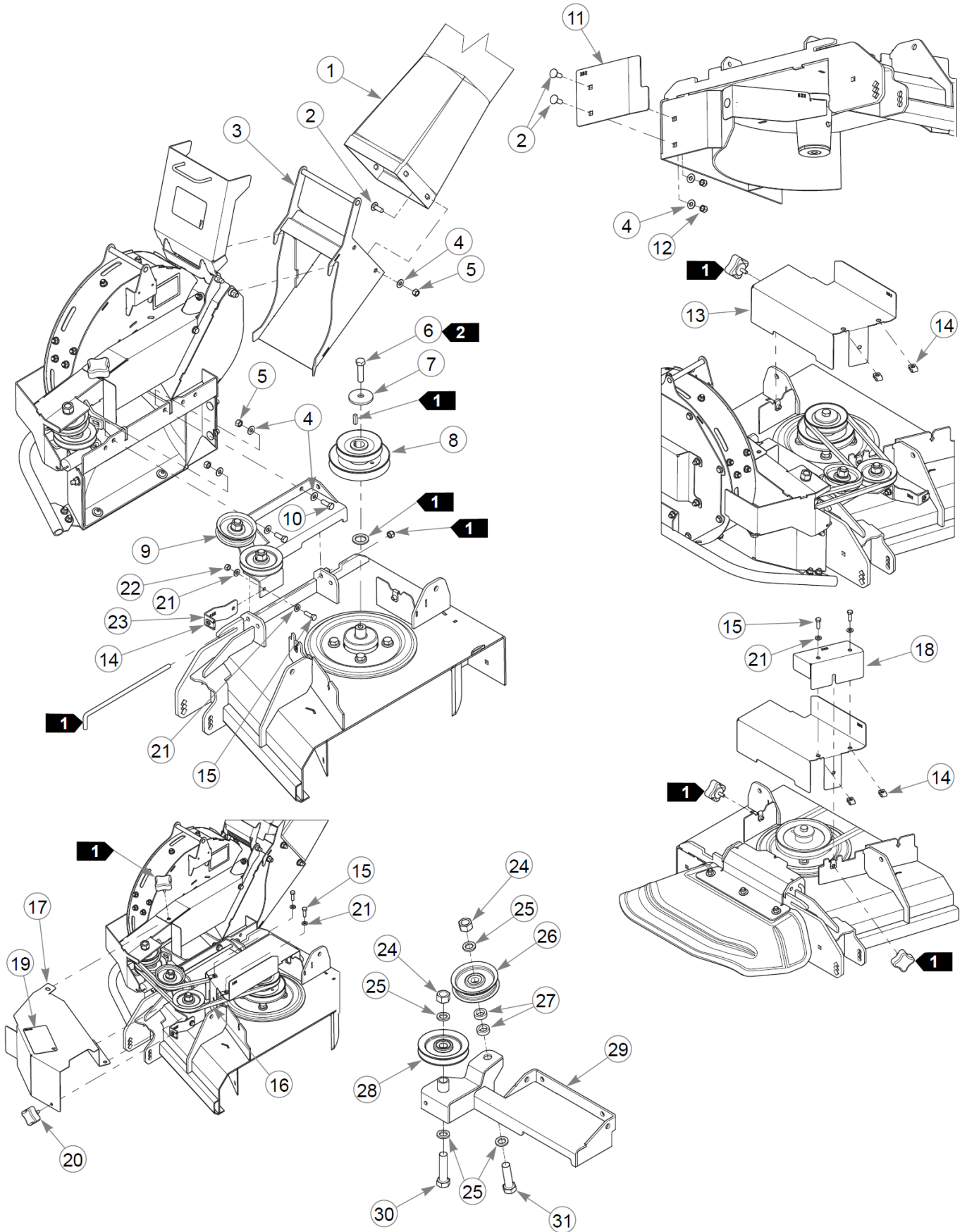
The Engine Owner's Manual provides information regarding the U.S. Environmental Protection Agency (EPA) and the California Emission Control Regulation of emission systems, maintenance and warranty.

Keep Engine Owner's Manual with your unit. Should the Engine Owner's Manual become damaged or illegible, replace immediately. Replacements may be ordered per the information found in the Product Information section of the owner's manual.

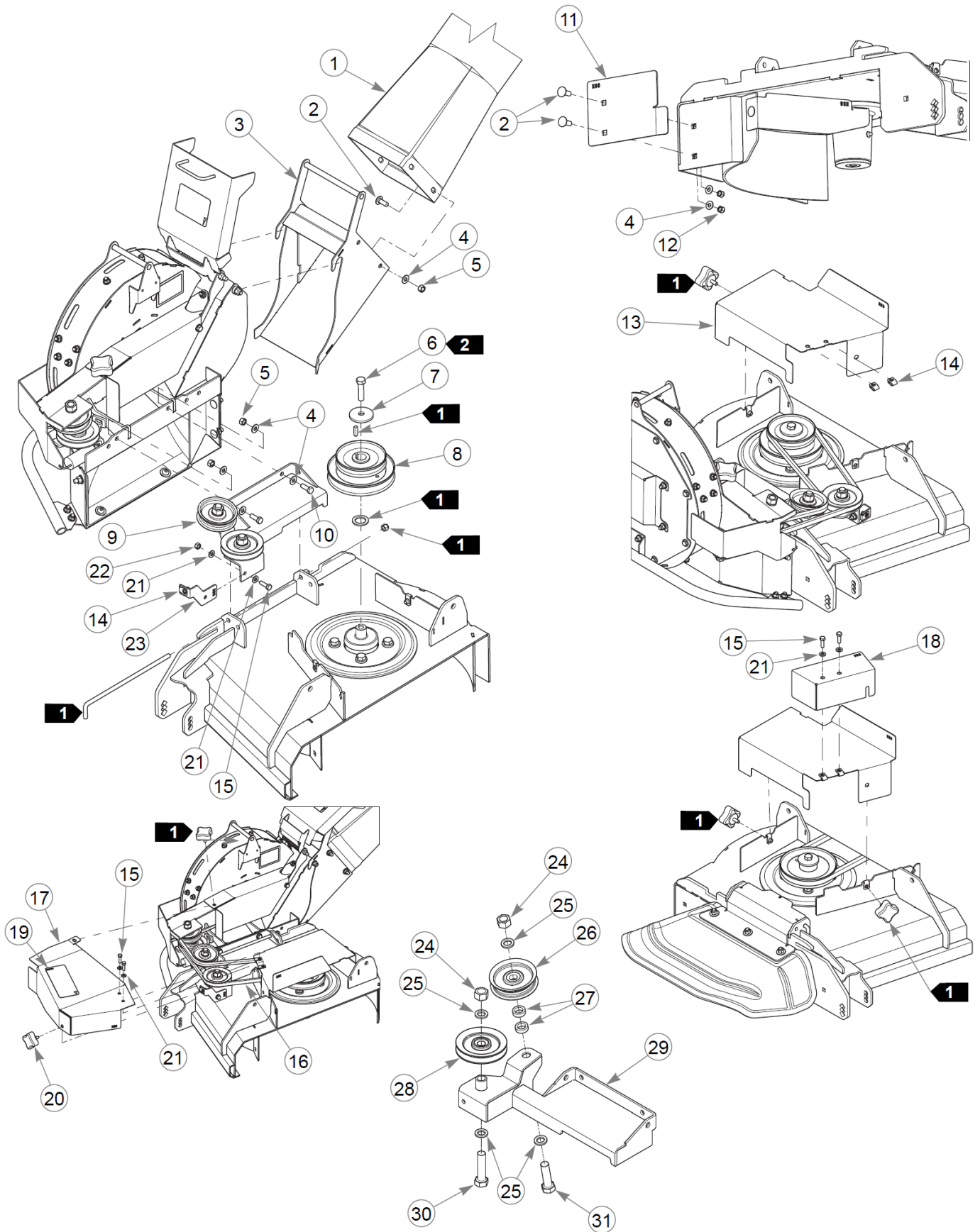
Federal law and California State law prohibit the following acts or the causing thereof:

1. The removal or rendering inoperative by any person other than for purposes of maintenance, repair, replacement, of any device or element of design incorporated into any equipment for the purposes of emissions control prior to or after its sales or delivery to the ultimate purchaser or while it is in use, or
2. The use of the equipment after such device or element of design has been removed or rendered inoperative by any person.

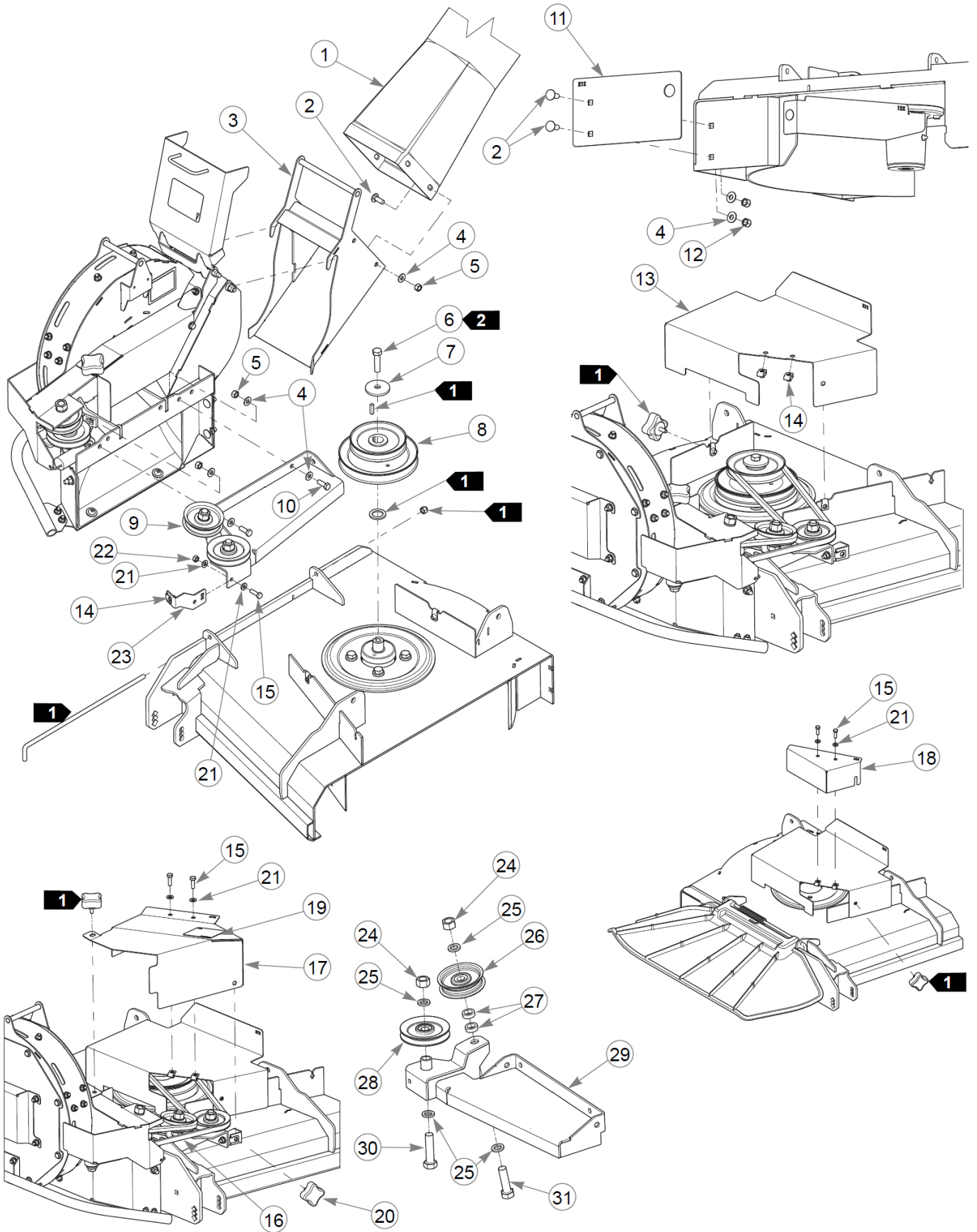
52" Deck Adapter	1
60" Deck Adapter	2
72" Deck Adapter	3
Frame	4
Shell	5
Lid	6
Linkage	7
Frame Adapter	8
Shell Electric	9
Wire Harness	10
Blower (Multi-Page)	11



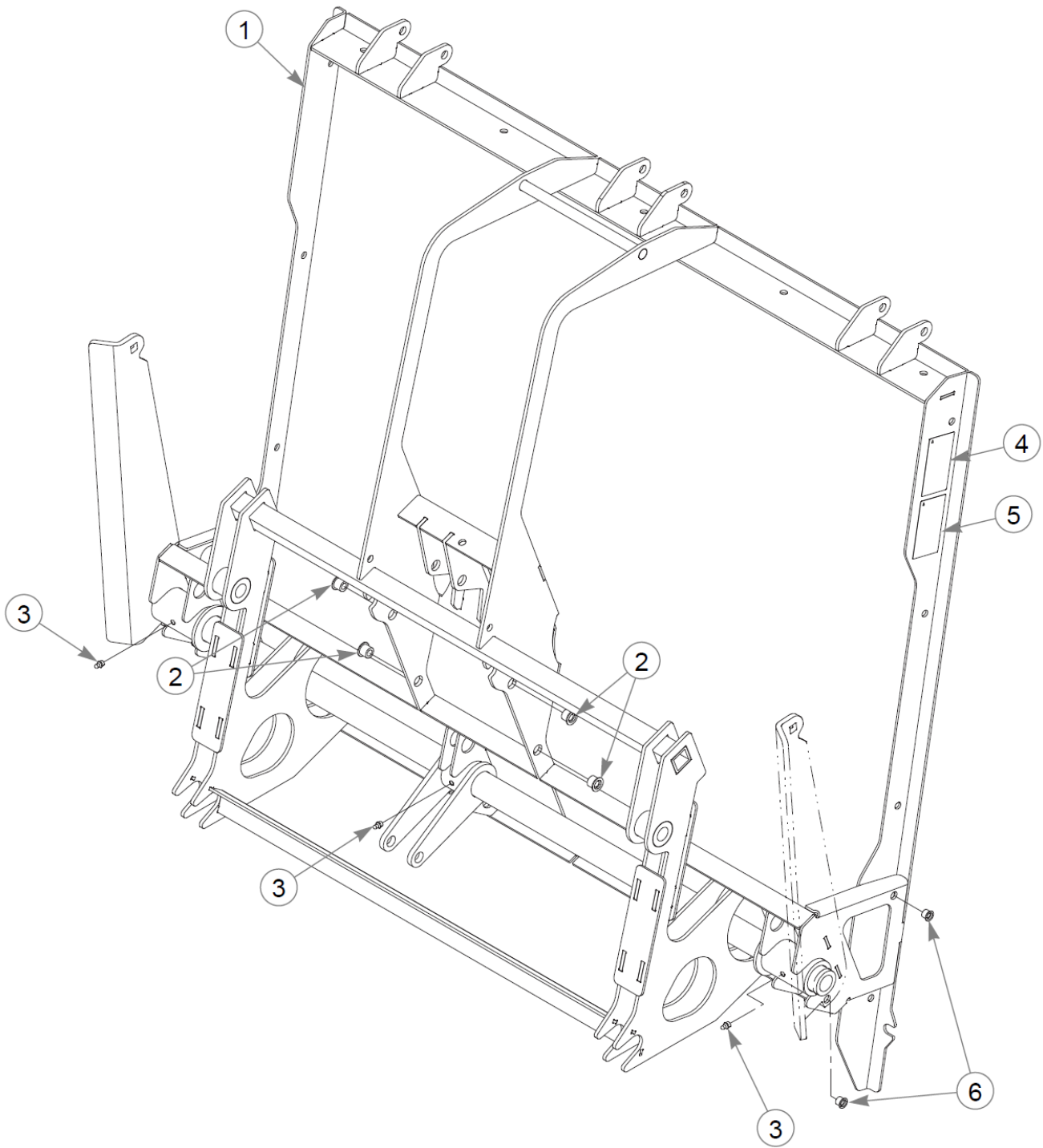
Item	Part No.	Qty	Name
1	603213	1	BLOWER OUTLET TUBE
2	025395	6	CB .375-16X 1.00 G5 ZN
3	114066	1	OUTLET ADAPTER
4	767954	18	FW 0.379X.82X.06 HD ZN
5	054502	2	NT .375-16HXG5
6	078949	1	CS .500-13X2.000 FUL HX
7	752386	1	CW .515X 2.25X .204 BLK
8	603310	1	54" DOUBLE DRIVE
9	555559	1	IDLER PULLEY F/A
10	036244	2	CS .375-16X1.00 HX G5 ZN
11	126709-3	1	52" BAFFLE
12	086660	14	NT .375-16NLG8
13	126706-1	1	PULLEY COVER
14	601069	3	CN .312-18x.200 MAX THK
15	036236	3	CS .312-18X1.000HXG5
16	607908	1	BLOWER BELT 52" DECK
17	555764	1	PULLEY COVER
18	126708-3	1	52" AUX COVER
19	604221	1	DECAL, DANGER / CHUTE
20	792002	2	KNOB,5/16-18 X 3/4"MALE
21	768523	11	FW 0.343SAE
22	034272	1	NT .312-18HXG5
23	126728-3	1	52 COVER BRACKET
24	016972	2	NT .625-11 HX G5 ZN
25	028118	4	FW 0.625X1.00X.13 ZN
26	791566	1	PULLEY IDLER 3.25"ODX.6
27	600296	2	SPACER, DECK IDLER
28	602913	1	V-IDLER PULLEY
29	126723-3	1	52/60 BLOWER MOUNT
30	025015	1	CS .625-11X2.500HXG5
31	601983	1	CS .625-11 X 2.25 HXG5ZN



Item	Part No.	Qty	Name
1	603324	1	72 BLOWER OUTLET TUBE
2	025395	6	CB .375-16X 1.00 G5 ZN
3	114066	1	OUTLET ADAPTER
4	767954	18	FW 0.379X.82X.06 HD ZN
5	054502	2	NT .375-16HXG5
6	078949	1	CS .500-13X2.000 FUL HX
7	752386	1	CW .515X 2.25X .204 BLK
8	603311	1	60" DOUBLE DRIVE
9	555559	1	IDLER PULLEY F/A
10	036244	2	CS .375-16X1.00 HX G5 ZN
11	126713-3	1	60" BAFFLE
12	086660	14	NT .375-16NLG8
13	126710-3	1	60" PULLEY COVER
14	601069	3	CN .312-18x.200 MAX THK
15	036236	3	CS .312-18X1.000HXG5
16	607909	1	BLOWER BELT 60" DECK
17	555649	1	60 BELT COVER
18	126712-3	1	60" AUX COVER
19	604221	1	DECAL, DANGER / CHUTE
20	792002	2	KNOB,5/16-18 X 3/4"MALE
21	768523	11	FW 0.343SAE
22	034272	1	NT .312-18HXG5
23	126729-3	1	60 COVER BRACKET
24	016972	2	NT .625-11 HX G5 ZN
25	028118	4	FW 0.625X1.00X.13 ZN
26	791566	1	PULLEY IDLER 3.25"ODX.6
27	600296	2	SPACER, DECK IDLER
28	602913	1	V-IDLER PULLEY
29	126723-3	1	52/60 BLOWER MOUNT
30	025015	1	CS .625-11X2.500HXG5
31	601983	1	CS .625-11 X 2.25 HXG5ZN

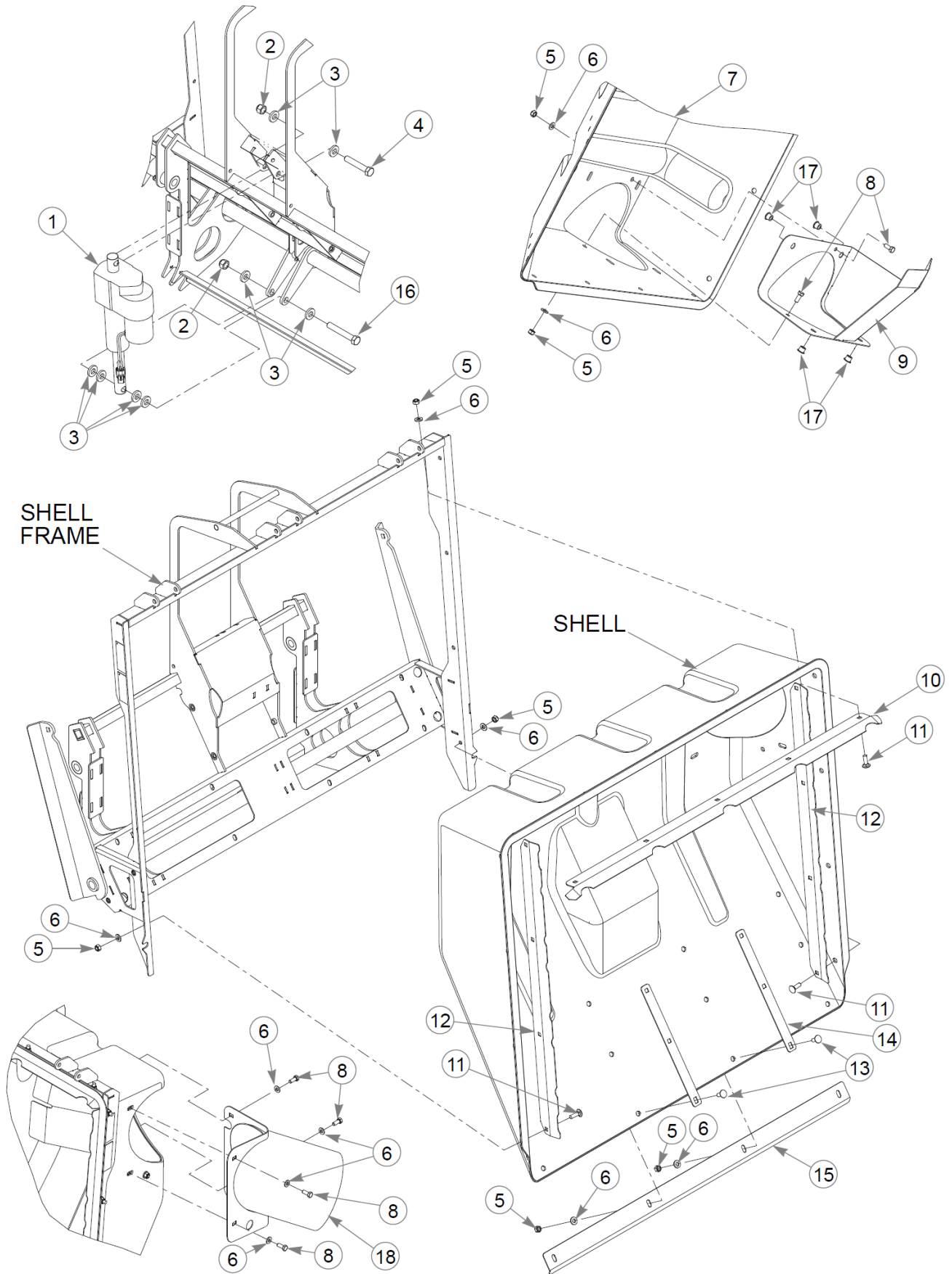


Item	Part No.	Qty	Name
1	603324	1	72 BLOWER OUTLET TUBE
2	025395	6	CB .375-16X 1.00 G5 ZN
3	114066	1	OUTLET ADAPTER
4	767954	18	FW 0.379X.82X.06 HD ZN
5	054502	2	NT .375-16HXG5
6	078949	1	CS .500-13X2.000 FUL HX
7	752386	1	CW .515X 2.25X .204 BLK
8	603312	1	66" DOUBLE DRIVE
9	555560	1	IDLER PULLEY F/A
10	036244	2	CS .375-16X1.00 HX G5 ZN
11	126717-3	1	72" BAFFLE
12	086660	14	NT .375-16NLG8
13	126714-3	1	72" PULLEY COVER
14	601069	3	CN .312-18x.200 MAX THK
15	036236	3	CS .312-18X1.000HXG5
16	607910	1	BLOWER BELT 72" DECK
17	555650	1	72 BELT COVER
18	126716-3	1	72" AUX COVER
19	604221	1	DECAL, DANGER / CHUTE
20	792002	2	KNOB,5/16-18 X 3/4"MALE
21	768523	11	FW 0.343SAE
22	034272	1	NT .312-18HXG5
23	126730-3	1	72 COVER BRACKET
24	016972	2	NT .625-11 HX G5 ZN
25	028118	4	FW 0.625X1.00X.13 ZN
26	791566	1	PULLEY IDLER 3.25"ODX.6
27	600296	2	SPACER, DECK IDLER
28	602913	1	V-IDLER PULLEY
29	126727-3	1	72 BLOWER MOUNT
30	025015	1	CS .625-11X2.500HXG5
31	601983	1	CS .625-11 X 2.25 HXG5ZN



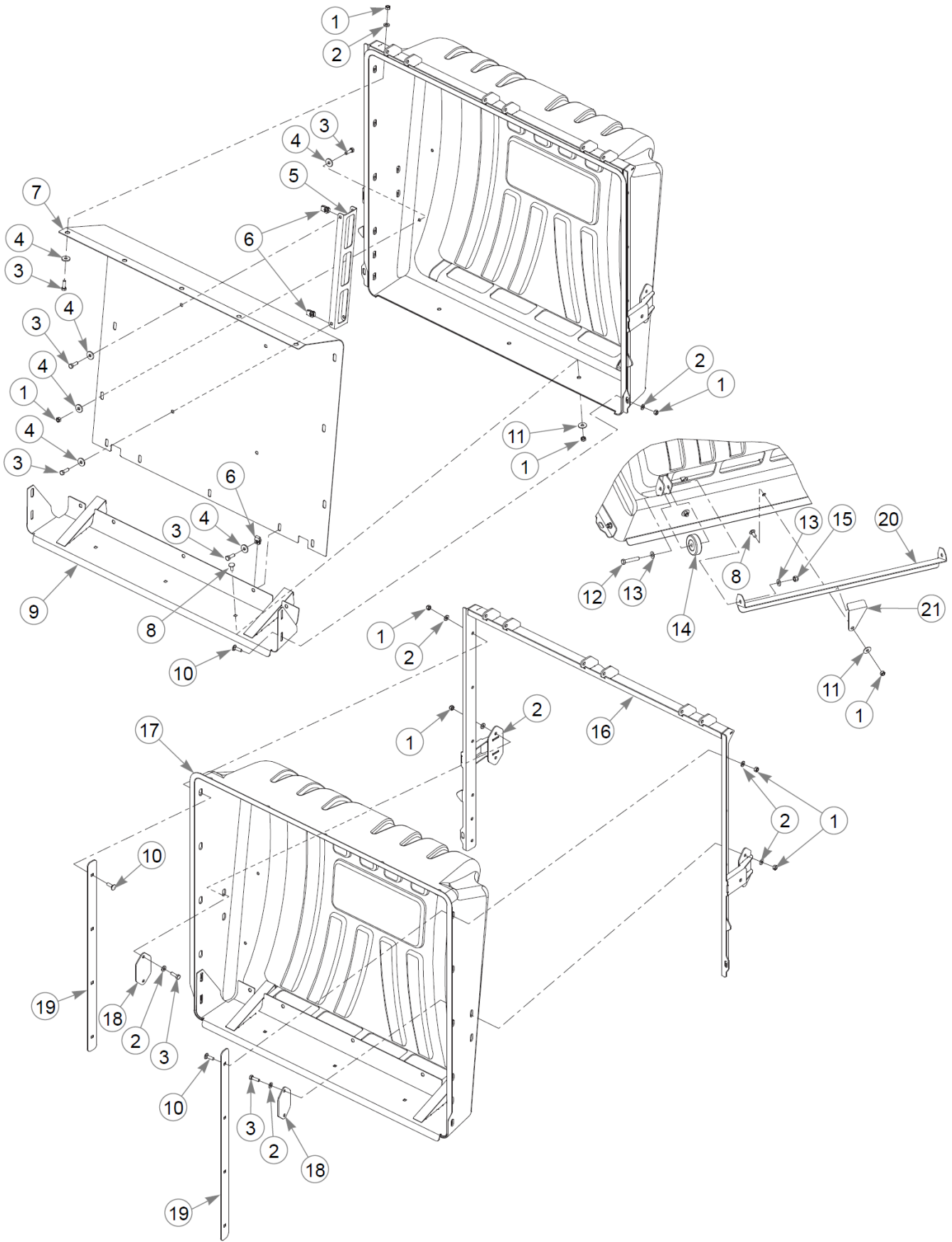
Frame

Item	Part No.	Qty	Name
1	115706	1	SHELL FRAME W/A
2	808485	4	RIVET NUT, 5/16-18 THRE
3	015495	3	GREASE FITTING STRAIGHT
4	603940	2	DECAL DUMP FROM SEAT
5	603967	2	DECAL, PINCH POINT
6	808477	2	RIVET NUT, 1/4-20 THREA



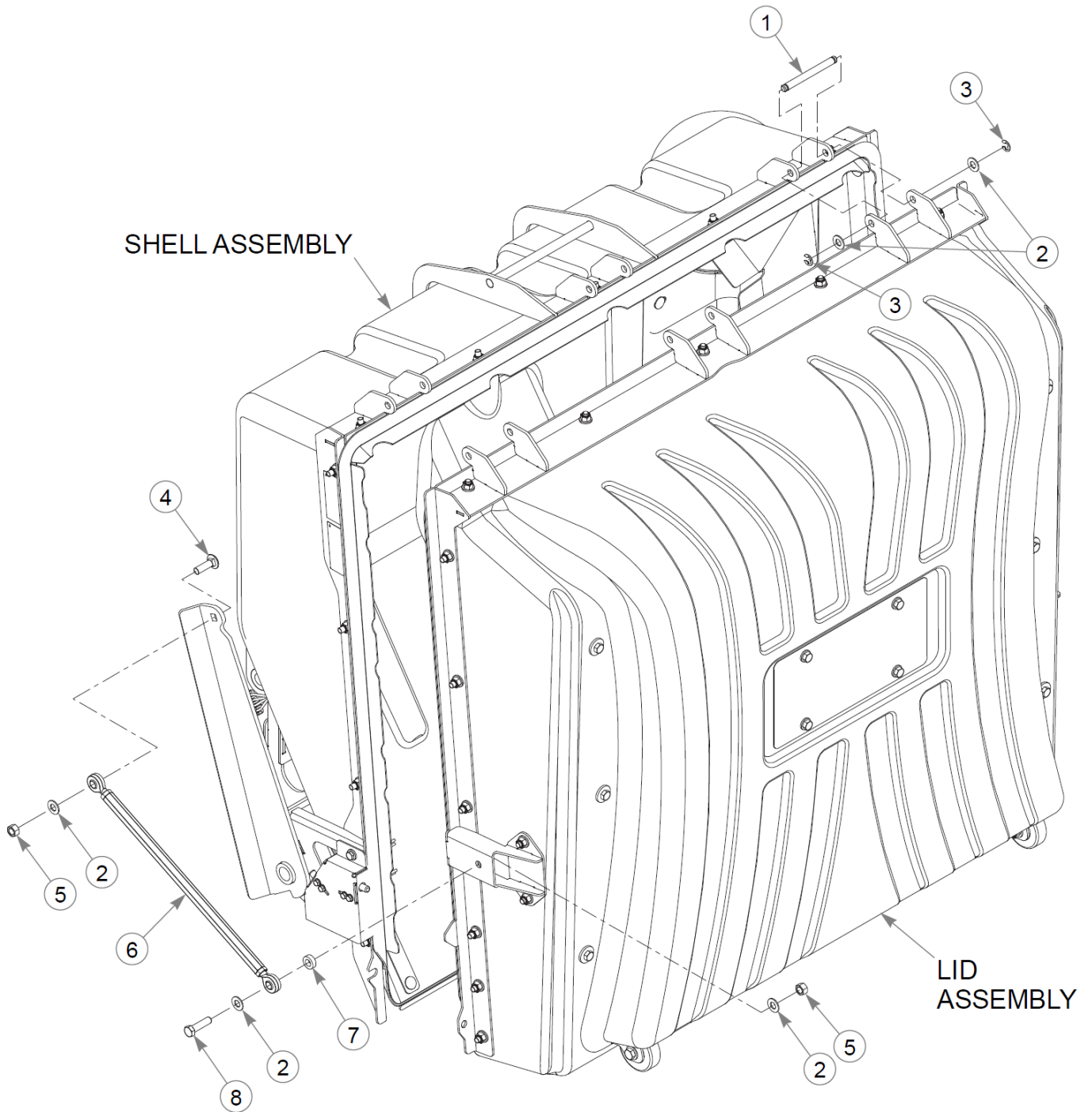
Shell

Item	Part No.	Qty	Name
1	603794	1	LINEAR ACTUATOR
2	781567	2	NT .500-13NLG5
3	767962	8	FW .531 x 1.063 x .175
4	721910	1	CS .500-13X2.750HXG5
5	058776	27	NT .312-18NLG5
6	768523	33	FW 0.343SAE
7	603796	1	SHELL, FORMED
8	034280	6	CS .312-18X0.750HXG5
9	119743	1	INSIDE BAFFLE W/A
10	115785	1	TOP BAFFLE
11	037887	13	CB .312-18X 1.000 FUL ZN
12	115782	2	SIDE BAFFLE
13	016253	12	CB .312-18X .750 FUL ZN
14	115701	4	VERTICAL SPANNER
15	115740	1	SHELL SKID PLATE
16	077859	1	CS .500-13X3.250HXG5
17	808485	4	RIVET NUT, 5/16-18 THRE
18	119745	1	OUTSIDE TUBE W/A



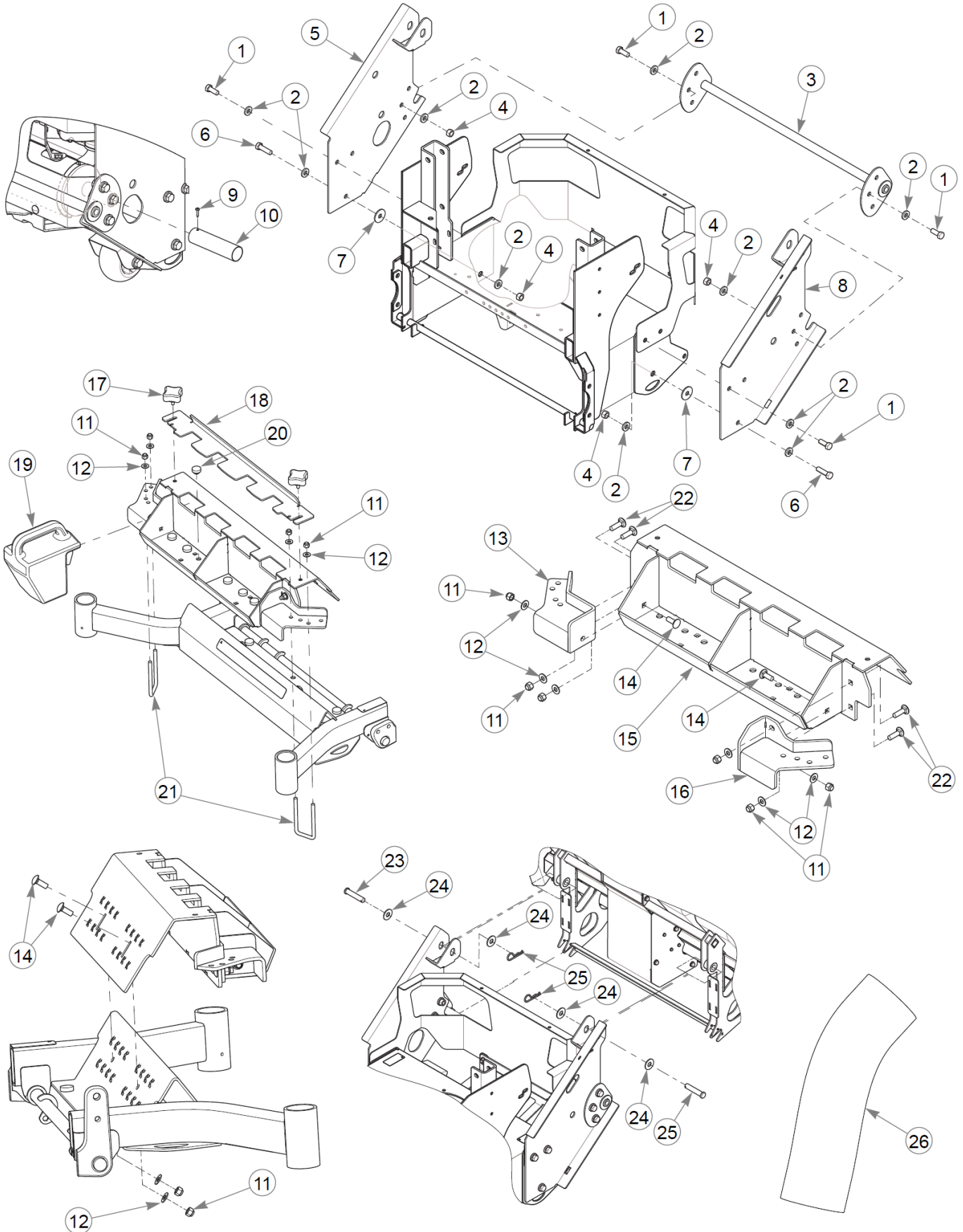
Lid

Item	Part No.	Qty	Name
1	058776	30	NT .312-18NLG5
2	768523	25	FW 0.343SAE
3	036236	24	CS .312-18X1.000HXG5
4	712927	26	FW 0.344X1.00X.12 HD ZN
5	115919	2	SPACER, LID - SCREEN
6	601069	9	CN .312-18x.200 MAX THK
7	115882	1	SCREEN, LID
8	016253	3	CB .312-18X .750 FUL ZN
9	115846	1	BOTTOM PLATE, INSIDE W/A
10	037887	12	CB .312-18X 1.000 FUL ZN
11	079210	3	FW 0.344X1.0X0.06 ZN
12	016410	2	CS .375-16X2.000HXG5
13	767954	4	FW 0.379X.82X.06 HD ZN
14	760181	2	WHEEL 2.5x.75 3/8 BORE
15	086660	2	NT .375-16NLG8
16	115723	1	LID FRAME W/A
17	603797	1	LID, FORMED
18	116116	2	ANCHOR BRKT
19	115783	2	LID, SIDE BAFFLE
20	119893	1	AIR DEFLECTOR
21	119993	1	CENTER DIVIDER BRKT

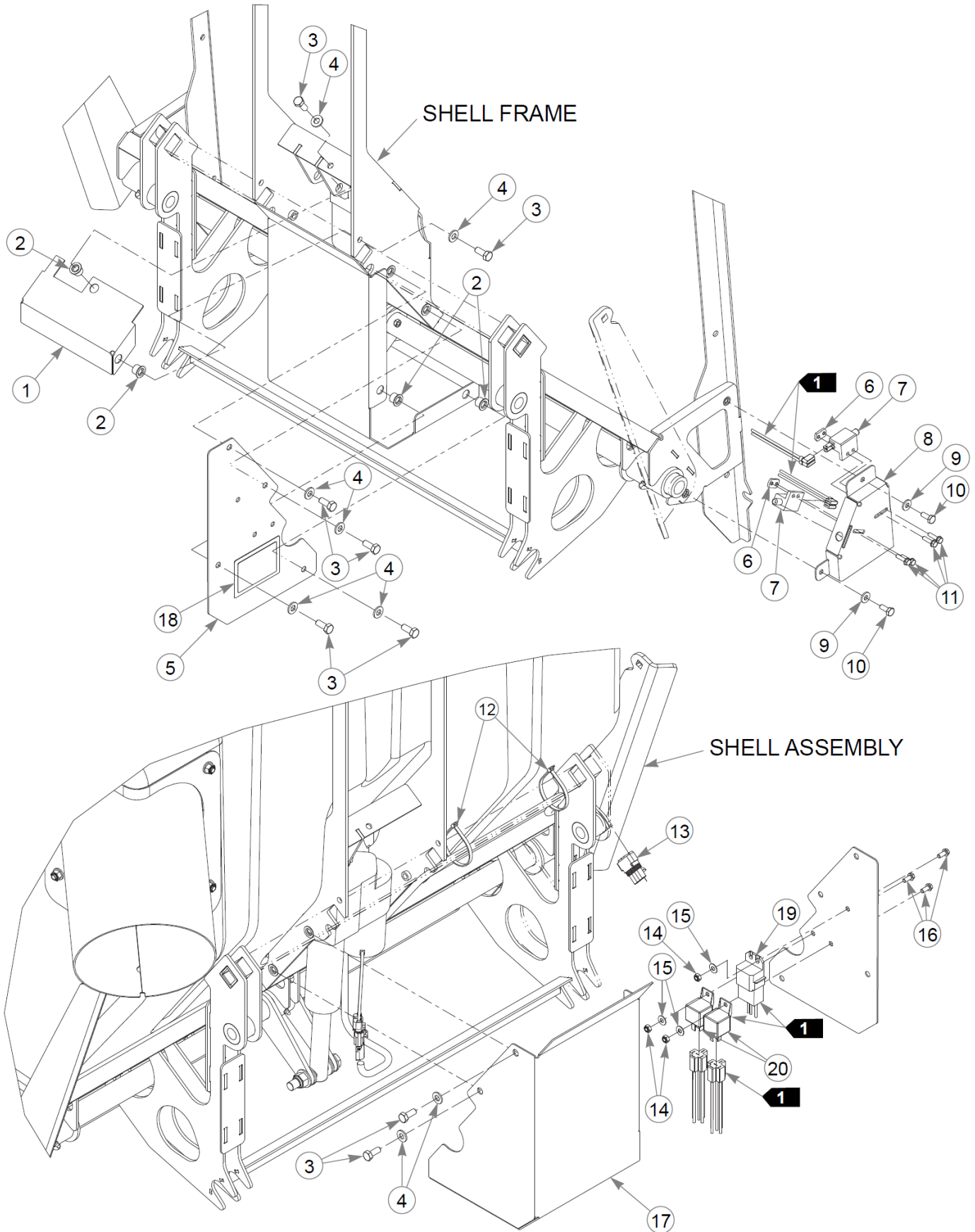


Linkage

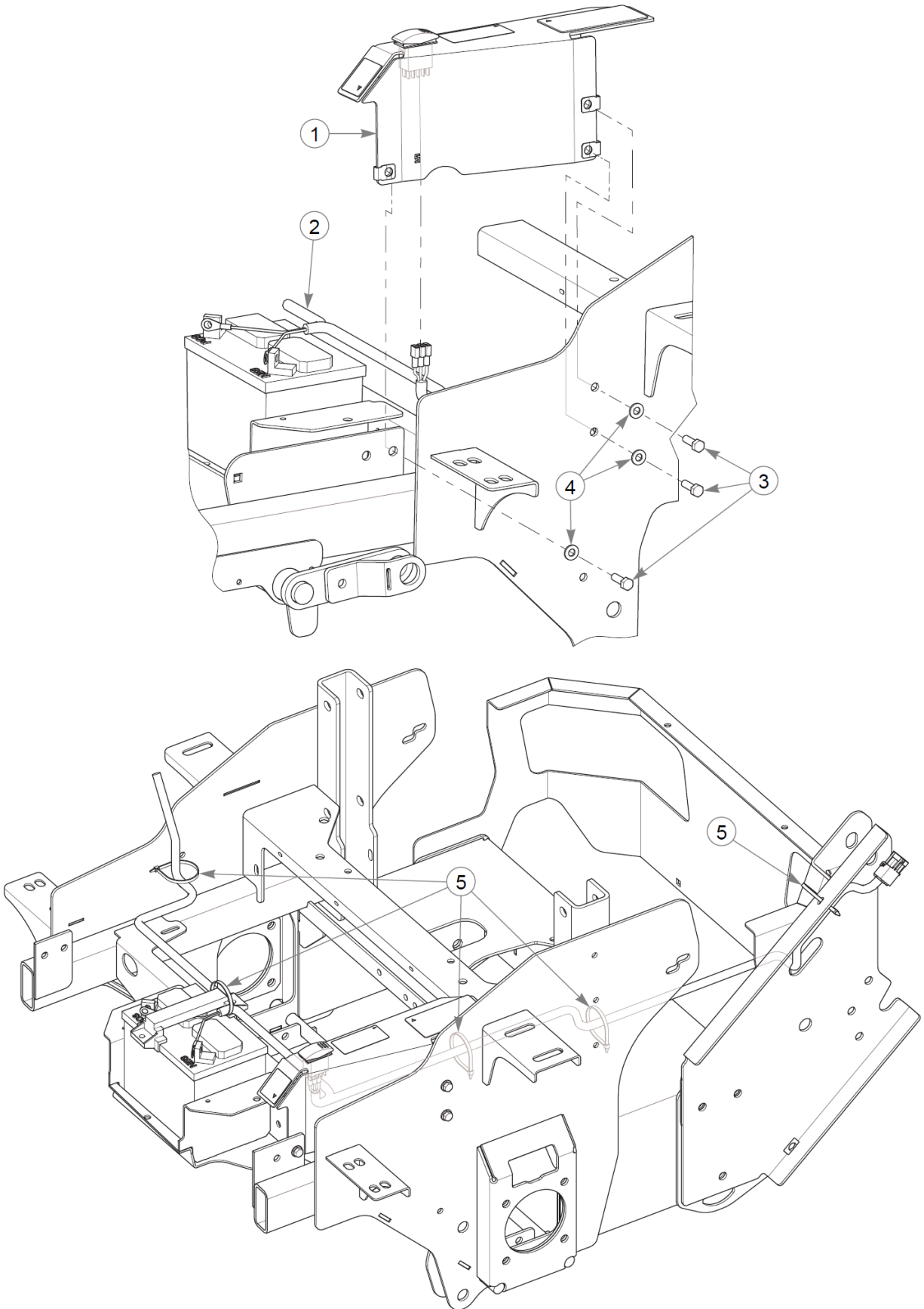
Item	Part No.	Qty	Name
1	603879	3	DFS HINGE PIN
2	767954	12	FW 0.379X.82X.06 HD ZN
3	603332	6	CLIP E .66 X .303 X .035
4	603113	2	CB .375-16X1.250 G5 ZN
5	054502	4	NT .375-16HXG5
6	603878	2	RIGID LINK TURNBUCKLE
7	073858	2	FW .406X .750X.250 ZN
8	005116	2	CS .375-16X1.38 HX G5 ZN



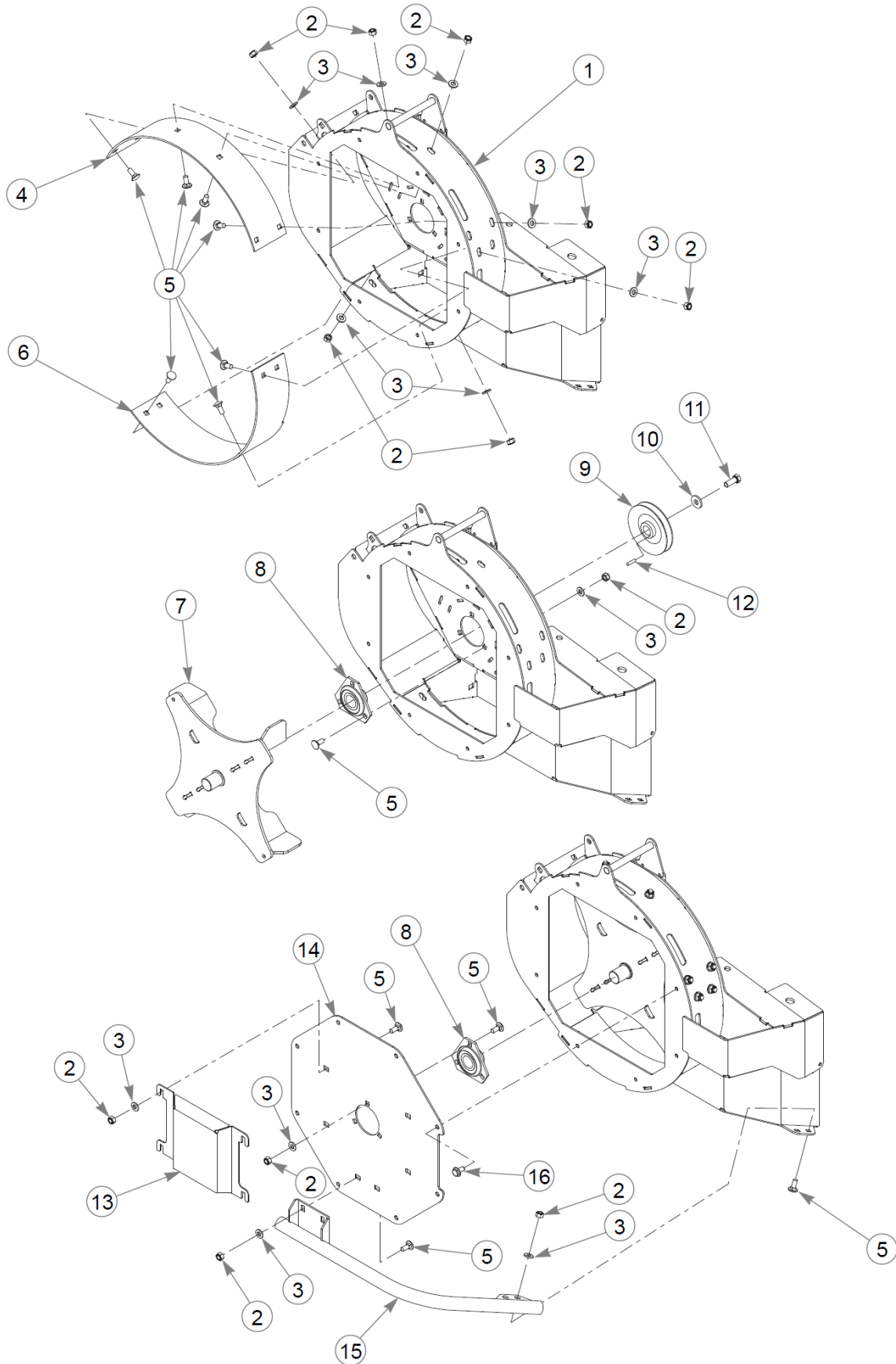
Item	Part No.	Qty	Name
1	705954	10	CS .500-13X1.25 HX G5 ZN
2	767962	20	FW .531 x 1.063 x .175
3	115748	1	MOUNT SPACER W/A
4	008193	8	NT .500-13HXG5
5	122811	1	RH MOUNT W/A
6	017616	2	CS .500-13X1.750HXG5
7	798603	2	FW .515X1.65X.12 HD ZN
8	122812	1	LH MOUNT W/A
9	769299	1	SC #10-24x0.750BH
10	604577	1	MUFFLER EXT 1.375"
11	086660	12	NT .375-16NLG8
12	767954	12	FW 0.379X.82X.06 HD ZN
13	123298	1	RH MOUNT W/A
14	025395	4	CB .375-16X 1.00 G5 ZN
15	123300	1	WEIGHT MOUNT W/A
16	126820-3	1	LH SUPPORT
17	792002	2	KNOB,5/16-18 X 3/4"MALE
18	114323	1	PLATE, WEIGHT LOCK
19	603207	4	WEIGHT, 3 BAG CATCHER
20	781880	8	BUMPER, .500x 1.00x .31
21	603113	2	CB .375-16X1.250 G5 ZN
22	604423	4	UB.375-16 x 2.00 x 4.50
23	053702	2	CE0.620X3.00X0.15X2.84
24	704783	4	FW 0.625X1.500X0.105
25	023036	2	HP 0.148X2.690
26	603356	1	8" CLEAR FLEX TUBE SZ



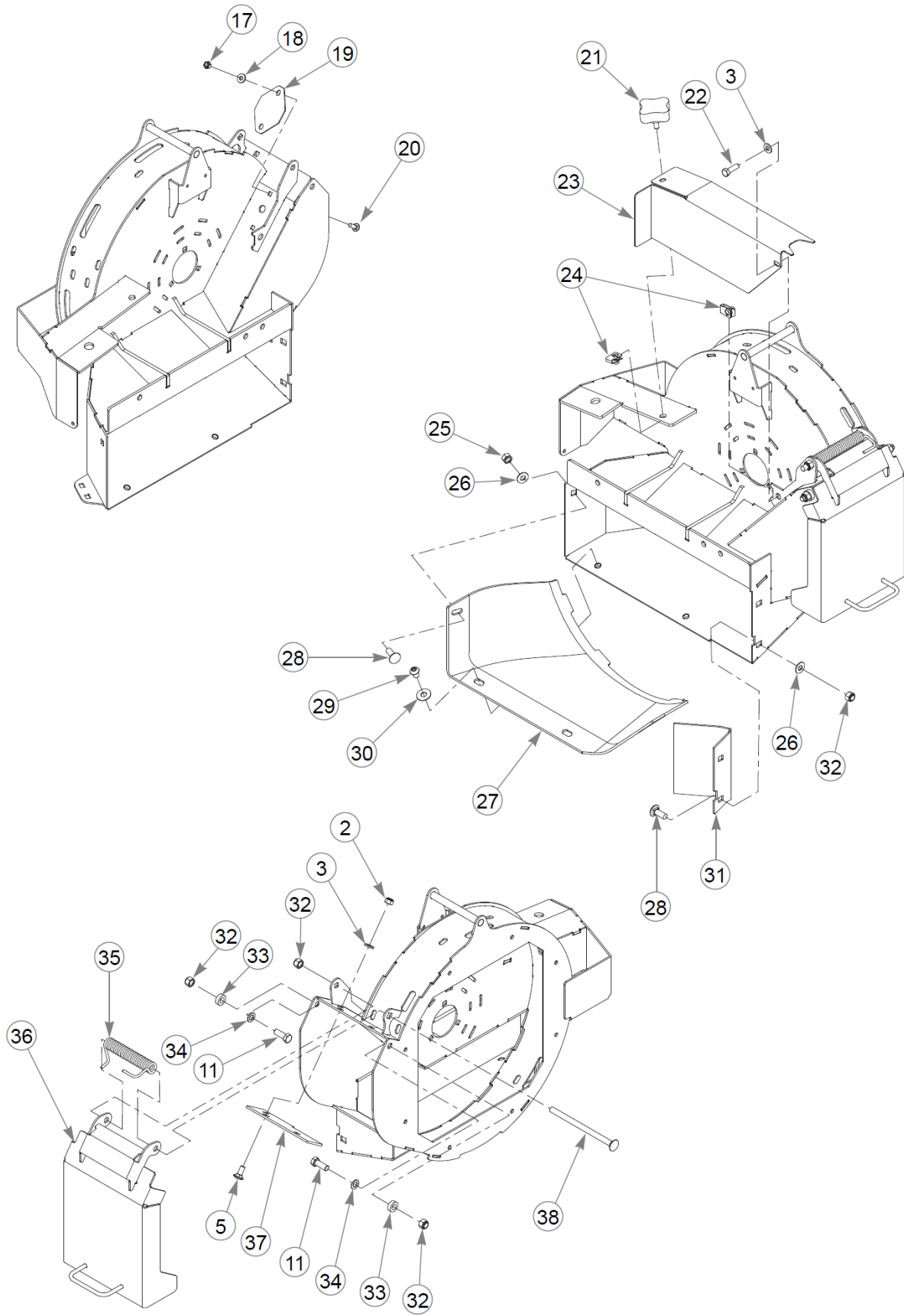
Item	Part No.	Qty	Name
1	115711	1	ACTUATOR TOP LID
2	808485	5	RIVET NUT, 5/16-18 THRE
3	034280	9	CS .312-18X0.750HXG5
4	768523	9	FW 0.343SAE
5	116213	1	CONTROL BOX COVER
6	601822	2	NUT PLATE, .420 CENTERS
7	603937	2	SWITCH, PLUNGER, N.C.
8	116200	1	SWITCH CONTROL BOX
9	768515	2	FW 0.281SAE
10	064329	2	CS .250-20X0.625HXG5
11	063198	4	CS #10-24X0.750FLKG5
12	000331	4	WIRE TIE, SMALL/SHORT
13	603936	1	WIRE HARNESS, DFS SHELL
14	059832	3	NT #10-24 HX NL ZN
15	017079	3	FW .250SAE
16	060731	3	CS 10-24X .500 HXFLK ZN
17	115731	1	ACTUATOR LID BOTTOM
18	N/A	1	SERIAL NO. / SPEC DECAL
19	762195	1	DELAY MODULE
20	601053	2	RELAY, SEALED W/BRACKET



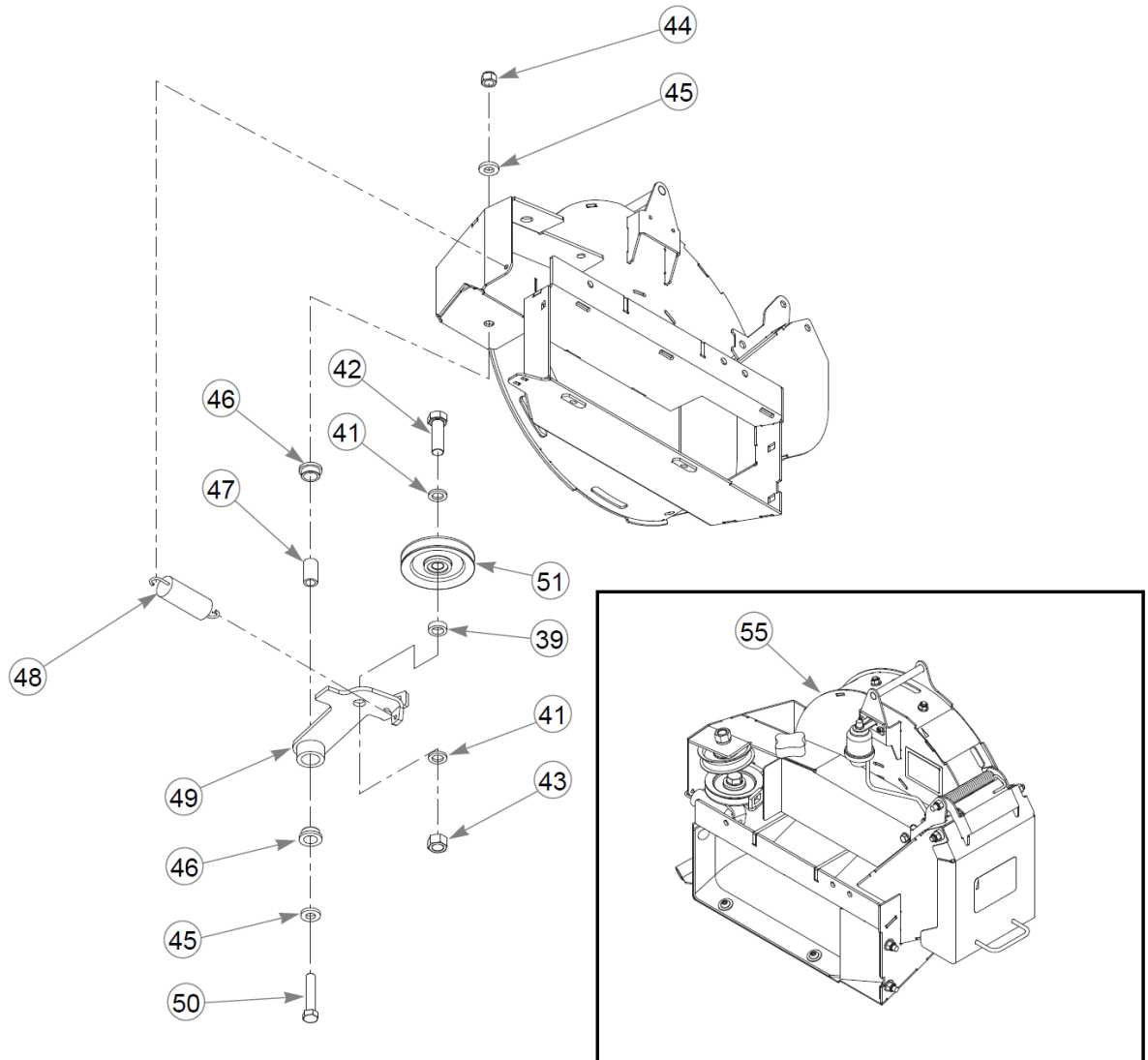
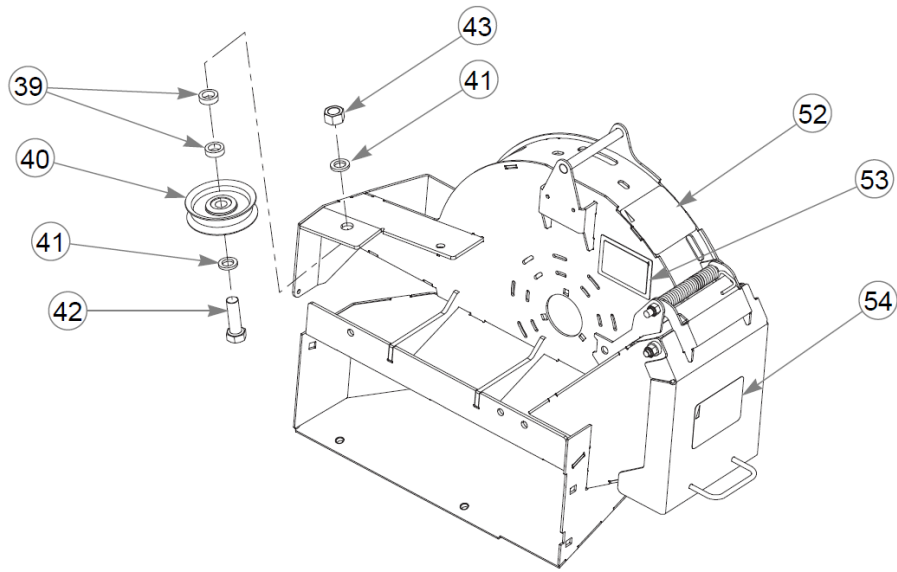
Item	Part No.	Qty	Name
1	551794	1	FRAME COVER F/A
2	603935	1	WIRE HARNESS, DFS MOWER
3	768523	3	FW 0.343SAE
4	036236	3	CS .312-18X1.000HXG5
5	000331	5	WIRE TIE, SMALL/SHORT



This page intentionally left blank



This page intentionally left blank



Item	Part No.	Qty	Name
1	N/A	1	BLOWER HOUSING (NOT SOLD SEPARATELY)
2	058776	27	NT .312-18NLG5
3	768523	28	FW 0.343SAE
4	119870	1	TOP WRAPPER INSERT
5	016253	27	CB .312-18X .750 FUL ZN
6	119871	1	BOTTOM WRAPPER INSERT
7	119510	1	IMPELLER W/A
8	604264	2	BEARING, 1.0" BORE FLANG
9	602912	1	PULLEY, DRIVEN
10	712919	1	FW 0.406X1.00X.12 HD ZN
11	036244	3	CS .375-16X1.00 HX G5 ZN
12	322529	1	KEY .187 SQ X .750 LONG
13	114337	1	BEARING COVER
14	119874	1	BLOWER COVER
15	119741	1	GUARD W/A
16	799130	8	CS .312-18X .625 HXFL
17	068551	2	NT .250-20 HXZY NL
18	768515	2	FW 0.281SAE
19	120615	1	COVER PLATE
20	794784	2	CB .250-20 X .75 FUL ZN
21	792002	1	KNOB,5/16-18 X 3/4"MALE
22	036236	1	CS .312-18X1.000HXG5
23	120266	1	DRIVEN PULLEY COVER
24	601069	2	CN .312-18x.200 MAX THK
25	054502	1	NT .375-16HXG5
26	767954	3	FW 0.379X.82X.06 HD ZN
27	603191	1	BLOWER CHUTE INLET
28	025395	3	CB .375-16X 1.00 G5 ZN
29	774919	2	CS .375-16x .500 SOC BH
30	076422	2	FW 0.406X1.00X.06 ZN
31	113128	1	BLOWER INLET BAFFLE
32	086660	5	NT .375-16NLG8
33	073858	2	FW .406X .750X.250 ZN
34	704718	2	FW .406X .688X.060 ZN
35	602435	1	SPRING, TORSION
36	550995	1	SVC PART, BLOWER LID

This page intentionally left blank

Item	Part No.	Qty	Name
37	119872	1	ABRASION GUARD
38	602674	1	CB .375-16X6.00 STD
39	600296	3	SPACER, DECK IDLER
40	791566	1	PULLEY IDLER 3.25"ODX.6
41	028118	4	FW 0.625X1.00X.13 ZN
42	016642	2	CS .625-11X2.000HXG5
43	016972	2	NT .625-11 HX G5 ZN
44	781567	1	NT .500-13NLG5
45	767962	2	FW .531 x 1.063 x .175
46	770867	2	BUSHING, PLAS .750x1(FS)
47	109549	1	BUSHING, IDLER PIVOT
48	036384	1	SPRING 1/4 COIL PL 1.23
49	113406	1	BLOWER IDLER ARM
50	008573	1	CS .500-13X2.500HXG5
51	602913	1	V-IDLER PULLEY
52	602757	1	DECAL, BLOWER DANGERS
53	N/A	1	SERIAL NUMBER / SPEC DECAL
54	602758	1	DECAL, EYES/EARS/FOOT
55	552623	1	null