

Excel Side Catcher Operator's & Parts Manual

EXCEL
INDUSTRIES

200 South Ridge Road

Hesston, Kansas

67062

Table of Contents

General Information.....	1-1
To the New Owner.....	1-1
Using this Manual.....	1-1
Warranty Registration.....	1-1
Parts and Service.....	1-1
Safety Precautions.....	2-1
Assembly Instructions.....	3-1
Assembly.....	3-1
Operation.....	4-1
Vacuum Pickup and Collection.....	4-1
Unloading the Catcher.....	4-1
Side Catcher Warranty Policy.....	5-1
Parts Manual.....	6-1

GENERAL INFORMATION

To the New Owner

The purpose of this manual is to assist owners and operators in maintaining and operating the Excel Side Catcher. Please read it carefully; information and instructions furnished can help you achieve years of dependable performance.

Using this Manual

This manual contains general operation information as well as basic adjustment and maintenance information. Since operating conditions vary considerably, all conditions cannot be addressed individually. Through training and experience, operators should develop safe operating practices suitable to most conditions.

Directions used in this manual, for example RIGHT or LEFT, refer to directions when in the operator position and facing forward, unless otherwise stated.

Though current at the time of printing, photographs and illustrations shown may vary slightly from your mower due to subsequent production changes. Excel Industries, Inc. reserves the right to redesign and change the machine as deemed necessary, without notification. If a change has been made to your machine which is not reflected in this manual, contact your Excel Dealer for current information.

Warranty Registration

Your Dealer must register this attachment on-line within **ten (10) days** following date of purchase to validate your

warranty protection. As the new equipment owner, you should confirm that your Dealer has registered your attachment with Excel Industries, Inc., manufacturer of Hustler® and BigDog® mowers ("Manufacturer").

The mower and any attachment that displays a model and serial identification number plate **must** be registered with Manufacturer. Failure to register the attachment can void the warranty.

IMPORTANT: Any unauthorized modification, alteration, or use of non-approved attachments voids the warranty and releases Manufacturer and Hustler® Turf Equipment, Inc. or BigDog® Mower Company from any liability arising from subsequent use of this equipment. Do not use or operate any attachment not approved by Manufacturer.

Parts and Service

Use original Excel replacement parts, or parts that are equivalent in overall performance, that are available from your local authorized Dealer. For prompt, efficient service, always provide the following information when ordering parts:

1. Correct part description.
2. Correct part number.
3. Correct model number.
4. Correct serial number.

All arrangements for warranty repair and service must be handled through an authorized Dealer.

SAFETY PRECAUTIONS



This safety alert symbol is used to call attention to a message intended to provide a reasonable degree of **PERSONAL SAFETY** for operators and other persons during the normal operation and servicing of this equipment.

DANGER

– denotes immediate hazards which **WILL** result in severe personal injury or death.

WARNING

– denotes a hazard or unsafe practice which **COULD** result in severe personal injury or death.

This manual uses two other words to highlight information. **IMPORTANT** calls attention to special mechanical information and **NOTE** emphasizes general information worthy of special attention.

All operators and mechanics should read this manual, and be instructed about safe operating and maintenance procedures.

Improper use or maintenance by the operator or owner can result in injury. To reduce the potential for injury, comply with these safety instructions and always pay attention to the safety alert symbol “▲”, which means DANGER or WARNING - “personal safety instructions.” Failure to comply with the instructions may result in personal injury or death.

Incorrect usage of this attachment may result in severe injury. Personnel operating and maintaining it should be trained in the proper use and should read the manuals completely and thoroughly before attempting to set-up, operate, adjust, or service this mower.

- ▲ Never leave a running machine unattended. Always stop on level ground, disengage deck clutch, place steering control levers in park brake position, stop the engine, and remove ignition key before leaving operator’s seat for any reason, including emptying the catcher or unclogging the chute.

- ▲ Always keep safety shields and covers in place, except for servicing.
- ▲ Never attempt high speed maneuvering in crowded or congested areas.
- ▲ Always operate with complete catcher system or side discharge chute in place.
- ▲ Always be aware of any obstructions, especially small children, when backing or unloading the bags.
- ▲ Always keep safety shields and covers in place, except for servicing.
- ▲ Never work on mower deck when the engine is running.
- ▲ Always operate with complete catcher system, mulching system or side discharge chute in place and in the lowest position.
- ▲ Always keep clear of the mower blades and attachments during their operation.
- ▲ Turn off blades when not mowing.
- ▲ Stop the engine before removing the grass catcher or unclogging the discharge chute. Never clear the discharge chute with the engine running. Turn off the engine and be sure the blades have stopped before cleaning. Use a stick to clear a plugged discharge area. **Never use your hand!**
- ▲ **Clean flammable material from machine. Prevent fires by keeping engine compartment, exhaust area, battery, fuel line, fuel tank and operator’s station clean of accumulated trash, grass clippings, and other debris. Always clean up spilled fuel and oil.**
- ▲ Grass collection system components are subject to wear, damage and deterioration, which could expose moving parts or allow objects to be thrown. Frequently check components and replace with manufacturer’s recommended parts when necessary.

Never direct discharged material toward anyone. Avoid discharging material against a wall or obstruction. Material may ricochet back towards the operator. Always disengage the blades and wait for them to stop before crossing gravel drives, walks or roads.



WARNING:
Thrown objects!

Part Number 601624

- **Never operate the mower deck with side deflector damaged, altered, removed or in raised position, except when the entire grass catcher attachment or mulching system is being used.**

ASSEMBLY INSTRUCTIONS

These instructions apply to the assembly of the Excel Side Catcher 939686 to the following mowers:

Hustler® X-ONE® 52" and 60" decks only.

BigDog® Diablo® 52" and 60" decks only.

NOTE: This catcher has been designed to fit the 52" & 60" decks only. **DO NOT USE** on the 72" decks. When installing this catcher on the 52" unit, the discharge chute/bracket will need to be completely removed. Retain all parts for converting back to the side discharge mode. The catcher can be installed on the 60" without removing the discharge chute.

It is intended that this catcher be installed by trained service personnel. If additional assistance is required, contact the Excel Customer Service Department.

Before proceeding, read through the following instructions to familiarize yourself, while at the same time identify and inventory the parts supplied.

Unpack and inspect all parts. Notify carrier of any shipping damages immediately.

Assembly

WARNING

Before installing the catcher:

- Park the mower on level ground.
- Place steering control levers in park brake position.
- Place the deck clutch switch in the disengaged position. Make sure the blades have stopped.
- Turn the engine off and remove the key from ignition switch.
- Disconnect the negative battery cable.

1. For 52" decks, remove the discharge chute and bracket. Figure 3-1 Position the catcher frame against the deck hole opening. Insert the catcher mount rod through the holes in the discharge chute mount and the catcher frame. Secure the rod in place with hairpin. Figure 3-2

For 60" decks, raise the discharge chute in the up position. Position the catcher frame against the deck opening. Insert the catcher mount rod through the holes in the discharge chute mount and the catcher

frame. Secure the rod in place with the hair pin. Figure 3-2

2. Secure the bag assembly to the frame assembly by placing the pins in the slots and closing the latches. Figure 3-2
3. Reconnect the negative battery cable.

WARNING

Always operate the mower with complete catcher system, mulching system or side discharge chute in place and in the lowest position.

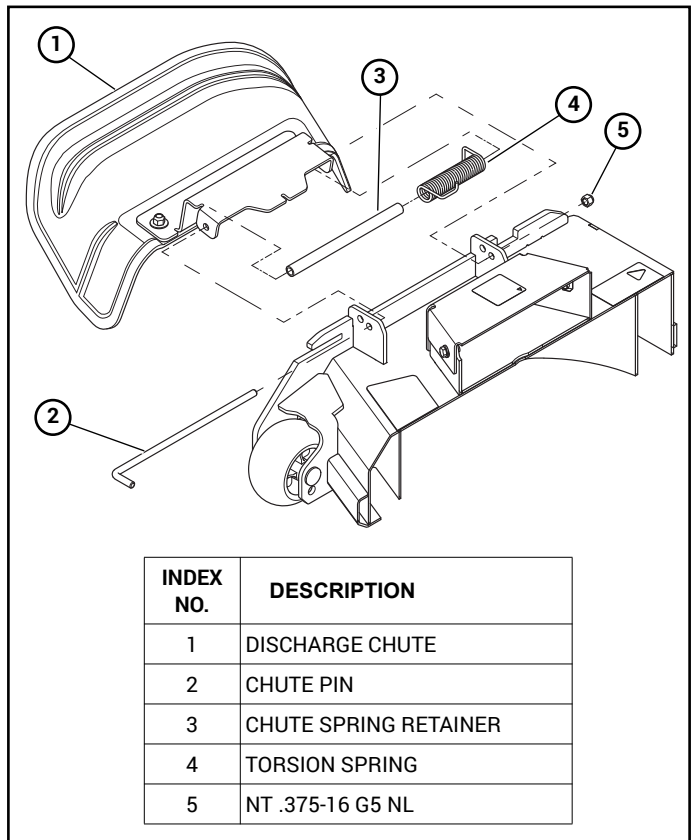
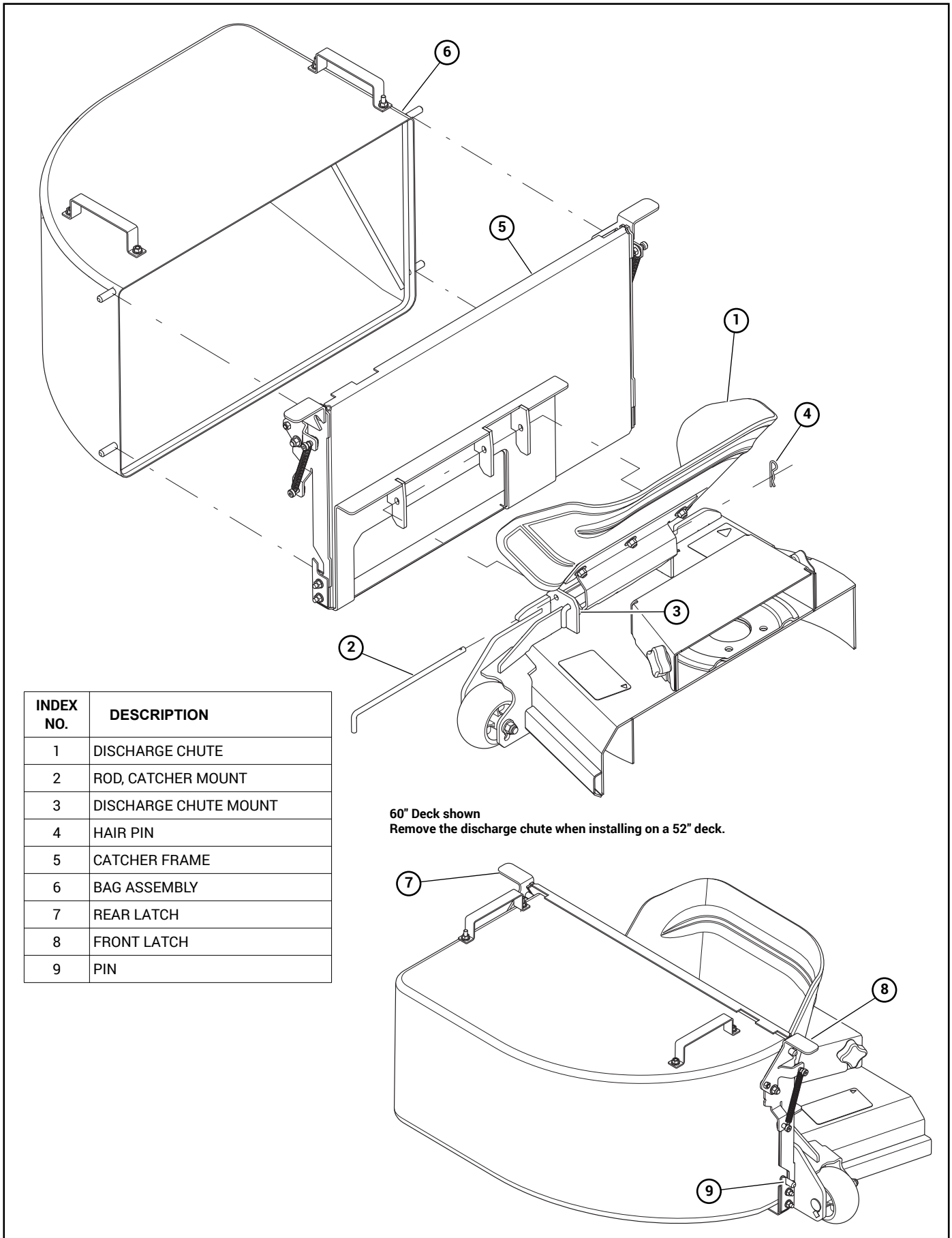


Figure 3-1



INDEX NO.	DESCRIPTION
1	DISCHARGE CHUTE
2	ROD, CATCHER MOUNT
3	DISCHARGE CHUTE MOUNT
4	HAIR PIN
5	CATCHER FRAME
6	BAG ASSEMBLY
7	REAR LATCH
8	FRONT LATCH
9	PIN

60" Deck shown
 Remove the discharge chute when installing on a 52" deck.

Figure 3-2

OPERATION

Vacuum Pickup and Collection

Follow normal mower deck start-up and operating procedures as outlined in the mower's operator's manual. The side catcher will collect clippings when the mower deck clutch switch is engaged. To stop the collecting of clippings, return the deck clutch switch to the disengaged position.

Proceed to mow in the normal manner and occasionally glance at the bag. When the bag is filled, move the deck clutch switch to the disengaged position, and drive the machine to the unloading area.

It is best that the bag be unloaded before the deck discharge opening becomes clogged. If clogging occurs, it will be necessary to clean the discharge opening of all material before starting to mow again.

WARNING Do not operate deck without discharge chute attached and in its lowest position, or complete catcher system in place.

WARNING Before cleaning the deck discharge opening:

- Park the mower on level ground.
- Turn engine off and remove key from ignition switch.
- Place steering control levers in park brake position.
- Deck clutch switch is in the disengaged position and the blades have stopped.

WARNING Never place hands or feet into the deck discharge opening. The mower blade is relatively close to the housing and will cause severe injury. Use a probe to clean debris from discharge opening area.

WARNING Never engage mower deck unless catcher bag is clamped in place on the catcher frame assembly on the deck.

Unloading the Catcher

WARNING Before unloading the catcher:

- Park the mower on level ground.
- Turn engine off and remove key from ignition switch.
- Place steering control levers in park brake position.
- Deck clutch switch is in the disengaged position and the blades have stopped.

1. Pull on the front and rear latches to release the bag assembly. Figure 4-1
2. Lift up and out on the bag to remove it from the frame assembly.
3. Empty the bag of clippings and replace back in position on the frame assembly.
4. Close the front and rear latches to lock the catcher in place.

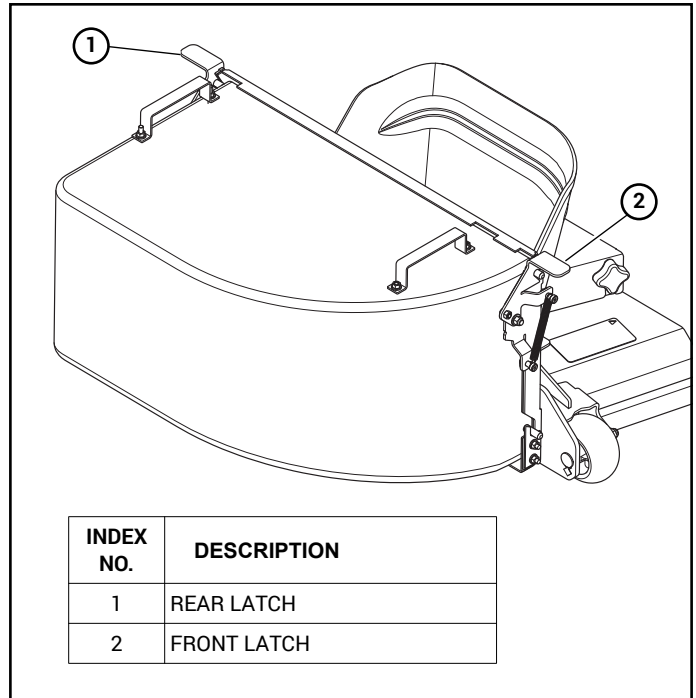


Figure 4-1

EXCEL

INDUSTRIES

Side Catcher Warranty Policy

Excel Industries, Inc. makes the following warranty to the **original purchaser** only:

- a. Excel Industries, Inc. Attachments and Accessories are warranted for **one (1) year (parts and labor) from date of delivery** on all materials and workmanship. If the Purchaser discovers within this warranty period a defect in materials or workmanship:
 - Purchaser must promptly notify an authorized dealer of the defect. In no event shall such notification be

received by an authorized dealer later than **thirteen (13) months** from date of delivery.

- Within a reasonable time after such notification, Excel Industries, Inc. will correct any defect in material or workmanship on the Excel Industries, Inc. turf equipment, by repairing or replacing part(s) with either new or used replacement parts.
- Such repair, including parts and labor shall be at the expense of Excel Industries, Inc.

General Information

Who Must Perform The Warranty Service

All warranty service will be performed by authorized dealers. **Service calls and/or transportation expense** of the product to and from the authorized dealer, for warranty work, will be paid by the owner of the product. For warranty service contact an authorized dealer.

What Is Not Covered By This Warranty

Excel Industries, Inc. does not warrant:

- Repairs made by unauthorized persons.
- Damage caused by use of the Excel Industries, Inc. turf equipment for purposes other than those for which it was designed.
- Damages caused by disasters such as fire, flood, wind, and lightning.
- Damages caused by neglect, abuse, abnormal use, improper or unreasonable use, accident, negligence or misuse.
- Repairs or replacement resulting from the use of unauthorized parts, accessories or attachments.
- Damage caused by foam filled or solid filled tires.
- Repairs or replacement as the result of alterations or modifications.
- Excel Industries, Inc. turf equipment which has the serial number removed or made illegible.
- Depreciation or damage caused by normal wear, lack of reasonable and proper maintenance, failure to follow the product's operator's manual operating, maintenance and adjustment instructions or other operational instructions provided by Excel Industries, Inc.
- Normal maintenance parts and service including, but not limited to, lubricants, belts, blades, blade sharpening, or bearings.

Disclaimer Of Warranty

THE FOREGOING WARRANTIES ARE IN LIEU OF ALL OTHER WARRANTIES, EXPRESSED OR IMPLIED, INCLUDING BUT NOT LIMITED TO THE IMPLIED WARRANTIES OF MERCHANTABILITY AND FITNESS FOR A PARTICULAR PURPOSE. However, if the Excel Industries, Inc. turf equipment is purchased as a consumer product, any implied warranty of merchantability or fitness for a particular purpose is limited to the duration of this limited warranty. Some states do not allow limitations on how long an implied warranty lasts, so the above limitation may not apply to you. This warranty gives you specific legal rights, and you may also have other rights which vary from state to state.

Limitations Of Warranties

IN NO CASE SHALL EXCEL INDUSTRIES, INC., BE LIABLE FOR ANY SPECIAL, INCIDENTAL, OR CONSEQUENTIAL DAMAGES BASED UPON BREACH OF WARRANTY, BREACH OF CONTRACT, NEGLIGENCE, STRICT LIABILITY IN TORT, OR ANY OTHER LEGAL THEORY.

Such damages include, but are not limited to:

- Loss of profits
- Loss of savings or revenue
- Loss of use of Excel Industries, Inc. turf equipment or any associated equipment
- Cost of capital
- Cost of any substitute equipment, facilities, services or downtime
- The claims of third parties including customers, and injury to property

Some states do not allow the exclusion or limitation of incidental or consequential damages, so the above limitation or exclusion may not apply to you.

No Other Warranties

Unless modified in writing, signed by both parties, and approved by the President of Excel Industries, Inc., this

agreement is understood to be the complete and exclusive agreement between the parties, superseding all prior agreements, oral or written, and all other communications between the parties relating to the subject matter of this agreement. No employee of Excel Industries, Inc., or any other party is authorized to make any warranty in addition to those made in this agreement.

Allocation Of Risks

This agreement allocates the risks of product failure between Excel Industries, Inc. and the purchaser. This allocation is recognized by both parties and is reflected in the price of the goods.

Owner's Responsibility

You must maintain your Excel Industries, Inc. Product following the maintenance procedures described in your operator's manual. Such routine maintenance, whether performed by a dealer or by you, is at your expense.

This machine like any other powered equipment is potentially dangerous unless properly operated. Any operator **must** be cautious and keep safety in mind at all times. Any operator, prior to using the Excel Industries, Inc. turf equipment, should thoroughly familiarize himself with the operator's manual regarding operation and safety of the machine, as well as all safety warnings on the machine itself.

Warranty Registration

- **Hustler® Dealers must** register the attachment on-line at <https://dealer.hustlerturf.com> within **ten (10) days** following date of purchase.

- **BigDog® Dealers must** register the attachment on-line at <https://dealer.bigdogmowers.com> within **ten (10) days** following date of purchase.
- The date of purchase constitutes delivery.
- Failure to register the attachment may void the warranty.

Australia Special Information

The following information is for Australian consumers only.

The benefits to the consumer given by this warranty are in addition to other rights and remedies of the consumer under a law in relation to the goods or services to which this warranty relates.

Our goods come with guarantees that cannot be excluded under the Australian consumer law. You are entitled to a replacement or refund for a major failure and for compensation for any reasonable foreseeable loss or damage. You are also entitled to have the goods repaired or replaced if the goods fail to be of acceptable quality and the failure does not amount to a major failure.

Powerup Lawncare Products

11 Sodium St.

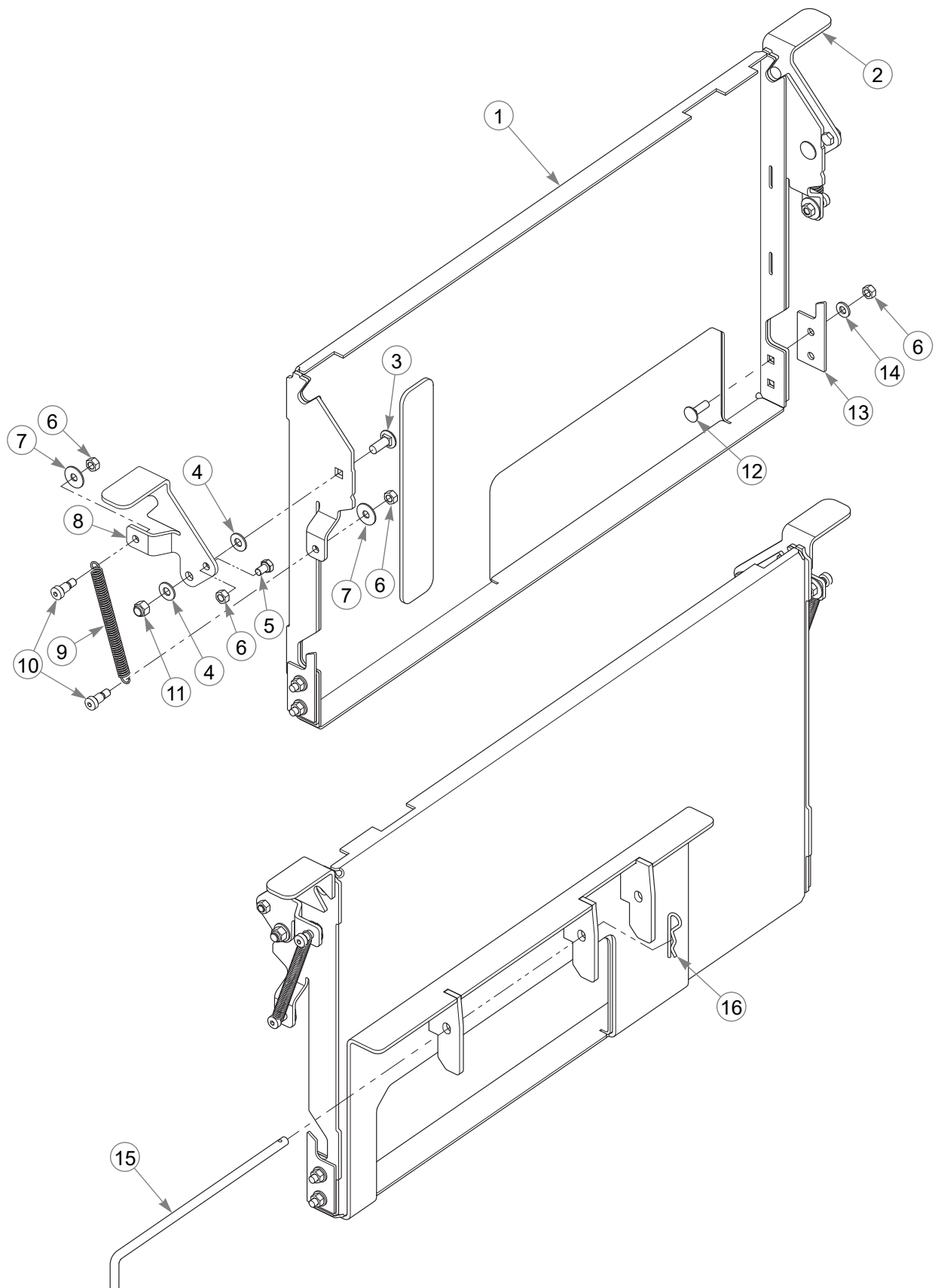
Narangba, Qld 4504

Telephone 1300 363 027

Parts Manual

Side Catcher 6-2
Catcher Bag 6-4

Side Catcher

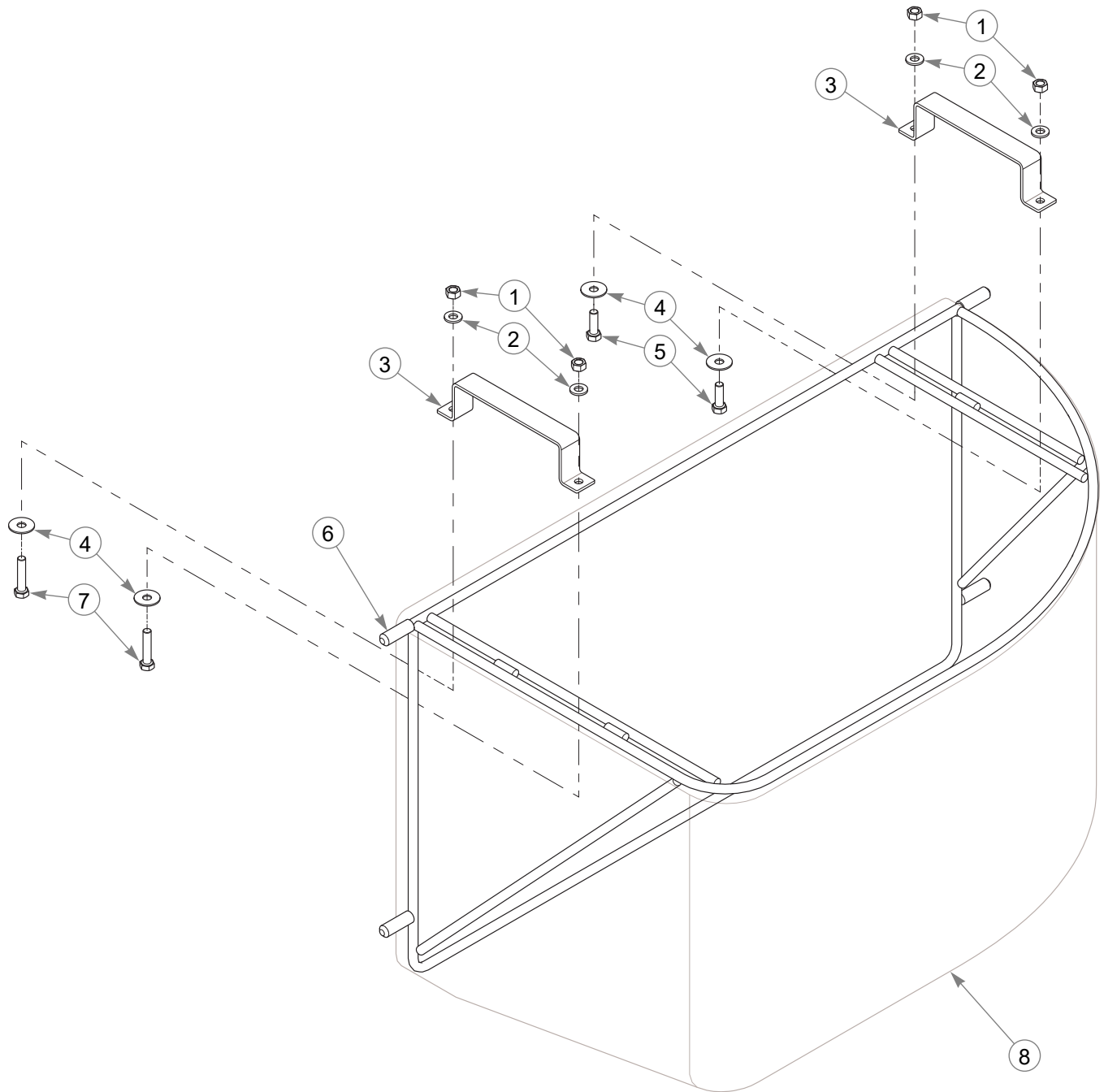


Side Catcher

INDEX NO.	PART NO.	QTY.	DESCRIPTION
1	126411-3	1	SIDE CATCHER
2	123641-3	1	FRONT HANDLE
3	025395	2	CB .375-16 X 1.00 G5 ZNY
4	767954	4	FW .379 X .813 X .063
5	068346	2	CS .312-18 X .50 HX G8
6	034272	10	NT .312-18 HX G5
7	079210	4	FW .344 X 1.00 X .06
8	123642-3	1	REAR HANDLE
9	395160	2	SPRING
10	063297	4	SB .375 X .50 SH .312-18
11	086660	2	NT .375-16 G8 NL
12	037887	4	CB .312-18 X 1.00 FULL ZN
13	110573	2	CLOSE OFF PLATE
14	768523	4	FW .343 SAE
15	607995	1	MOUNTING ROD
16	017301	1	HP .125 X 2.375 ZN

NOTES:

Catcher Bag



Catcher Bag

INDEX NO.	PART NO.	QTY.	DESCRIPTION
1	034272	4	NT .312-18 HX G5 ZNYC
2	768523	4	FW .343 X .687 X .051/.080H
3	301101	2	HANDLE
4	079210	4	FW .344 X 1.00 X .06 ZNYC
5	036236	2	CS .312-18 X 1.00 HX G5
6	109917	1	BAG FRAME
7	052837	2	CS 0.312-18 X 1.500 HX
8	603668	1	SIDE CATCHER BAG

NOTES:

INDEX

	PAGE		PAGE
Assembly	3-1	Using this Manual	1-1
Parts and Service	1-1	Vacuum Pickup and Collection	4-1
To the New Owner	1-1	Warranty Registration	1-1
Unloading the Catcher	4-1		

INDEX

PAGE

PAGE