

Excel Side Catcher 34"/42" Decks Operator's Manual

EXCEL
INDUSTRIES

200 South Ridge Road • Hesston, Kansas • 67062

Table of Contents

General Information	1-1
To the New Owner	1-1
Using This Manual	1-1
Warranty Registration	1-1
Parts and Service	1-1
Safety Precautions	2-1
Safe Operation and Service Precautions	2-1
Safety and Instruction Decals	2-2
Assembly Instruction	3-1
Required Tools	3-1
Parts List	3-1
Assembly	3-1
Operation	4-1
Vacuum Pickup and Collection	4-1
Unloading the Catcher Bag	4-2
Dump-From-Seat Kit	4-2
Transporting Mower With Catcher	4-2
Converting To Side Discharge Mode	4-3
Maintenance & Storage	5-1
Maintenance	5-1
Storage	5-1
Parts Manual	7-1

GENERAL INFORMATION

To the New Owner

The purpose of this manual is to assist owners and operators in maintaining and operating the Excel Side Catcher. Please read it carefully; information and instructions furnished can help you achieve years of dependable performance.

Using This Manual

This manual contains general operation information as well as basic adjustment and maintenance information. Since operating conditions vary considerably, all conditions cannot be addressed individually. Through training and experience, operators should develop safe operating practices suitable to most conditions.

Directions used in this manual, for example RIGHT or LEFT, refer to directions when in the operator position and facing forward, unless otherwise stated.

Though current at the time of printing, photographs and illustrations shown may vary slightly from your mower due to subsequent production changes. Excel Industries, Inc. reserves the right to redesign and change the machine as deemed necessary, without notification. If a change has been made to your machine which is not reflected in this manual, contact your Excel Dealer for current information.

Warranty Registration

The Delivery and Warranty Registration form must be completed and signed to validate your warranty protection. As the new equipment owner, you are expected to see that the card is completed and forwarded to Excel Industries, Inc. at time of delivery.

Be sure to register the mower plus each attachment that displays a model and serial identification number plate with Excel Industries, Inc.

IMPORTANT: IMPORTANT: Any unauthorized modification, alteration, or use of non-approved attachments voids the warranty and releases Excel Industries, Inc. from any liability arising from subsequent use of this equipment.

Parts and Service

Use original Excel replacement parts only. These parts are available through your local Excel dealer. To obtain prompt, efficient service, always provide the following information when ordering parts:

1. Correct part description and number, as given in the parts manual supplied with your owner's packet.
2. Correct model number.

All warranty repair and service must be handled through an authorized Excel dealer. Arrangements should be made through your local service center.

SAFETY PRECAUTIONS



This safety alert symbol is used to call attention to a message intended to provide a reasonable degree of **PERSONAL SAFETY** for operators and other persons during the normal operation and servicing of this equipment.

▲ DANGER	<p>– denotes immediate hazards which WILL result in severe personal injury or death.</p>
---------------------	---

▲ WARNING	<p>– denotes a hazard or unsafe practice which COULD result in severe personal injury or death.</p>
----------------------	--

This manual uses two other words to highlight information. **IMPORTANT** calls attention to special mechanical information and **NOTE** emphasizes general information worthy of special attention.

All operators and mechanics should read this manual, and be instructed about safe operating and maintenance procedures.

Improper use or maintenance by the operator or owner can result in injury. To reduce the potential for injury, comply with these safety instructions and always pay attention to the safety alert symbol “▲”, which means DANGER or WARNING - “personal safety instructions.” Failure to comply with the instructions may result in personal injury or death.

Incorrect usage of this attachment may result in severe injury. Personnel operating and maintaining it should be trained in the proper use and should read the manuals completely and thoroughly before attempting to set-up, operate, adjust, or service this mower.

Safe Operation and Service Precautions

- ▲ Evaluate the terrain to determine what accessories and attachments are needed to properly and safely perform the job. Only use accessories and attachments approved by the manufacturer.
- ▲ Before proceeding:
 - Park the mower on level ground.
 - Disengage the deck clutch.
 - Place the steering control levers in the park brake position.
 - Stop the engine.
 - Remove the ignition key.
 - Wait for the engine and all moving parts to come to a complete stop.
- ▲ Always be aware of any obstructions, especially small children, when backing or unloading the bags.
- ▲ Always keep safety shields and covers in place, except for servicing.
- ▲ Never work on the mower deck when the mower's engine is running.
- ▲ Never attempt high speed maneuvering in crowded or congested areas.
- ▲ Always be aware that the catcher hangs off the side of the mower, thereby increasing the width of the mower. Use caution when backing up or turning when the catcher is mounted to the mower.
- ▲ When the catcher is used, any rapid movement of the control levers in either direction could result in a reaction of the mower that can cause serious injury.
- ▲ Always operate with complete catcher system, mulching system or side discharge chute in place and in the lowest position.
- ▲ Always keep clear of the mower blades and attachments during their operation.
- ▲ Turn off the blades when not mowing.
- ▲ Stop the engine before removing the grass catcher or unclogging the discharge chute. Never clear the discharge chute with the engine running. Turn off the engine and be sure the blades have stopped before cleaning. Use a stick to clear a plugged discharge area. **Never use your hand!**
- ▲ **Clean flammable material from the machine. Prevent fires by keeping the engine compartment, exhaust area, battery, fuel line, fuel tank and operator's station clean of accumulated trash, grass clippings, and other debris. Always clean up spilled fuel and oil.**

▲ Grass collection system components are subject to wear, damage and deterioration, which could expose moving parts or allow objects to be thrown. Frequently check components and replace with manufacturer's recommended parts when necessary.

▲ Never direct discharged material toward anyone. Avoid discharging material against a wall or obstruction. Material may ricochet back toward the operator. Always disengage the blades and wait for them to stop before crossing gravel drives, walks or roads.



- Read Operator's Manual and Safety Warning Decals before attempting to operate this machine.

Safety and Instruction Decals



The decals are designed to give the operator brief information needed in the daily operation and service of the mower. These decals are not intended to be used in place of this manual but instead are to be used as an extension of this manual. These decals should not be removed or obliterated. Replace these decals if they become unreadable.

- It is the **owner's responsibility** to make certain that the operators and mechanics read and understand this manual and all decals before operating this mower.
- It is also the **owner's responsibility** to make certain that the operators and mechanics are qualified and physically able individuals, properly trained in the operation of this equipment.
- All operators and mechanics must become familiar with the safe operation of the equipment, operator controls and decals.
- Never let children or untrained people operate or service the equipment. Local regulations may restrict the age of the operator.
- The owner/user can prevent and is responsible for accidents or injuries occurring to themselves, other people or property.
- The owner should also ensure that the operators/mechanics know that they are responsible for their own safety as well as the safety of other persons within the vicinity. **Remember**, the operator is responsible for accidents or hazards occurring to other people or their property.

⚠ WARNING!

Under normal usage bag material is subject to wear. To reduce the risk of injury, inspect catcher assembly frequently and replace if there are any signs of wear or deterioration. Be sure replacement meets original equipment specifications.

- Under normal usage this bag material is subject to deterioration and wear, and should therefore be frequently checked for bag replacement.

<p>WARNING: Thrown objects!</p> <ul style="list-style-type: none"> • Never operate the mower deck with side deflector damaged, altered, removed or in raised position, except when the entire grass catcher attachment or mulching system is being used. 	
<p>DANGER: Rotating blades, pulleys & belts</p> <ul style="list-style-type: none"> • Keep shields and covers in place while machine is in operation • Keep hands, feet and clothing away from rotating pulleys and belts. 	
<p>Part Number 607351</p>	

⚠ WARNING ⚠

Specific safety warning decals are located on the equipment near the immediate areas of potential hazards. These decals should not be removed or obliterated. Replace them if they become non-readable.

Refer to the mower's operator's manual for illustrations showing the various safety decals that are located on the mower. A brief explanation, for those requiring one, is shown to help the operator understand the meanings of these decals.

ASSEMBLY INSTRUCTION

These instructions apply to the assembly of the Excel Side Catcher on the following mowers:

Hustler® Dash™ or BIGDOG® Rex™ 34"/42"

Directions given in these instructions, for example LEFT and RIGHT, refer to direction while seated on the mower.

Before proceeding, read through the following instructions to familiarize yourself, while at the same time identify and inventory kit parts supplied.

Unpack and inspect all parts. Notify carrier of any shipping damages immediately.

Required Tools

The following is a list of the tools required to assemble the catcher to the mower.

- One 3/8" combination wrench or socket
- One 1/2" combination wrench or socket
- One 1/4" combination wrench or socket
- Pliers

Parts List

PART NO.	DESCRIPTION	QTY.
125035-3	CATCHER PLATE	1
125043	CATCHER FRAME	1
607273	CATCHER BAG	1
607241	DISCHARGE CHUTE	1
031997	ANTI-SCALP WHEEL	1
607157	DISCHARGE CHUTE PIN	1
607287	CHUTE SPRING	1
704718	FW .406 X .688 X .060 ZN YC	1
607093	CP,RUE RING .054 X .392	1
602339	CB .50-13 X 4.50 STD ZN	1
603078	FW .750 X 1.500x .156 ZN	1
795153	NT .500-13 FLK	1
767962	FW .531 X 1.063 x .175	2
781567	NT .500-13 NL G5	1
016253	CB .312-18 X .750 FUL ZN	3
768523	FW 0.343 SAE	3
058776	NT .312-18 NL G5	3
601503	CB .250-20 X .625 ZN YC	1
768515	FW 0.281 SAE	1
068551	NT .250-20 HX ZY NL	1

NOTE: Refer to the *Parts Manual* section (starting on page 7-1) of this manual for more detailed parts information.

Assembly

1. Before proceeding:

- Park the mower on level ground.
- Disengage the deck clutch.
- Place the steering control levers in the park brake position.
- Stop the engine.
- Remove the ignition key.
- Wait for the engine and all moving parts to come to a complete stop.
- Disconnect the negative battery cable.

NOTE: Remove the existing discharge chute from the deck. Retain the discharge chute and hardware to use if or when the mower is converted back to the original setup. Figure 3-1

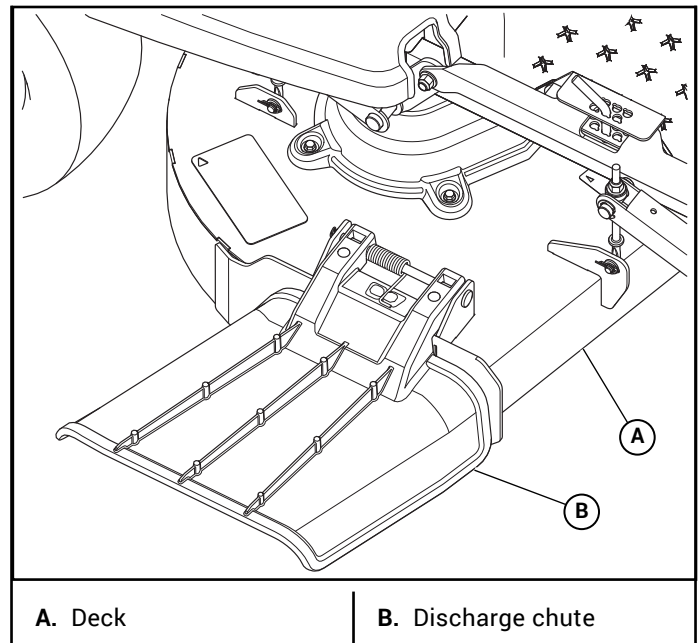


Figure 3-1

2. Attach the catcher plate to the deck as shown. Figure 3-2

IMPORTANT: Make sure to install the hardware exactly as shown.

3. Attach the anti-scalp wheel to the front of the catcher plate as shown. Figure 3-2

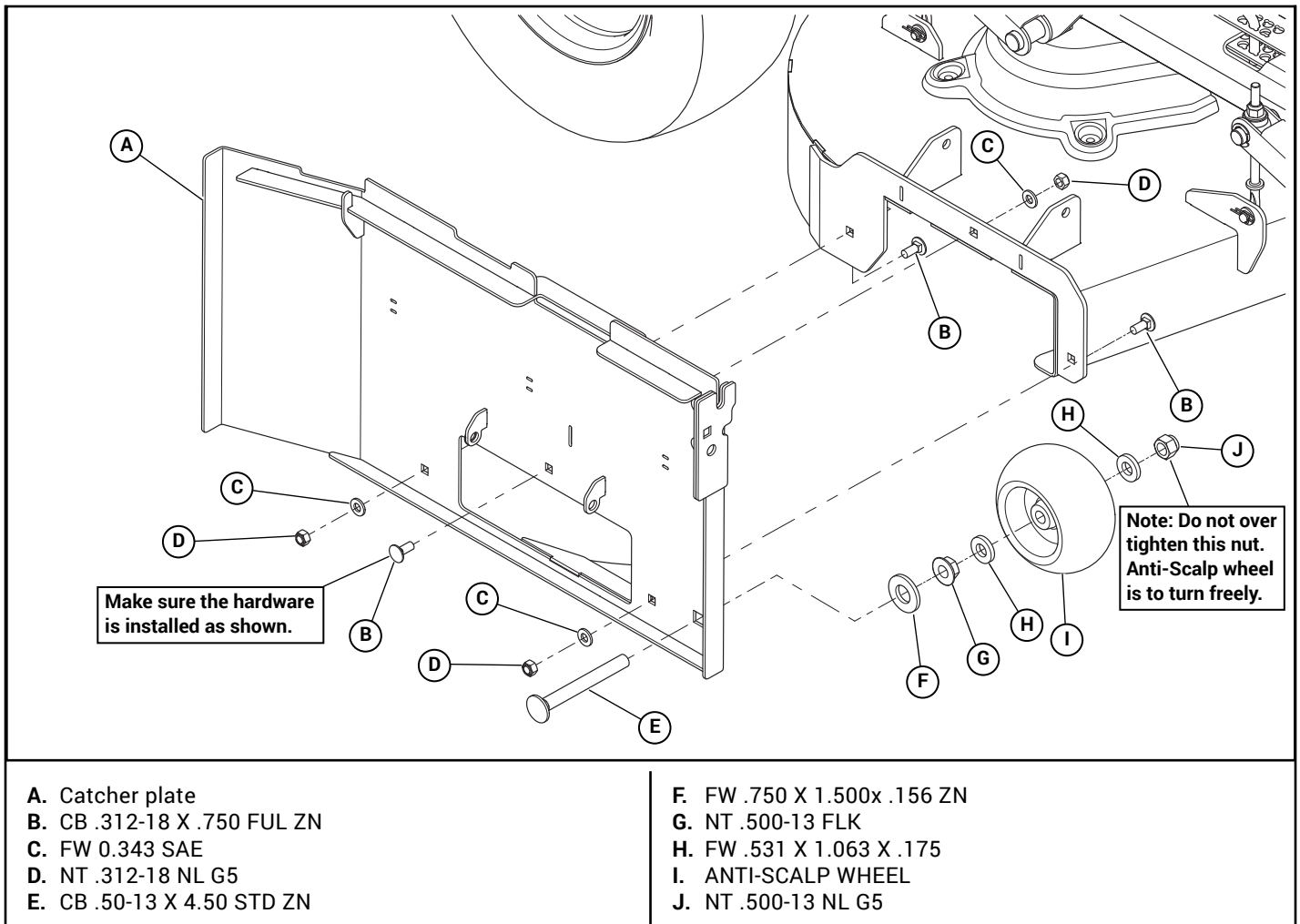


Figure 3-2

4. Install the new discharge chute as shown. Figure 3-3

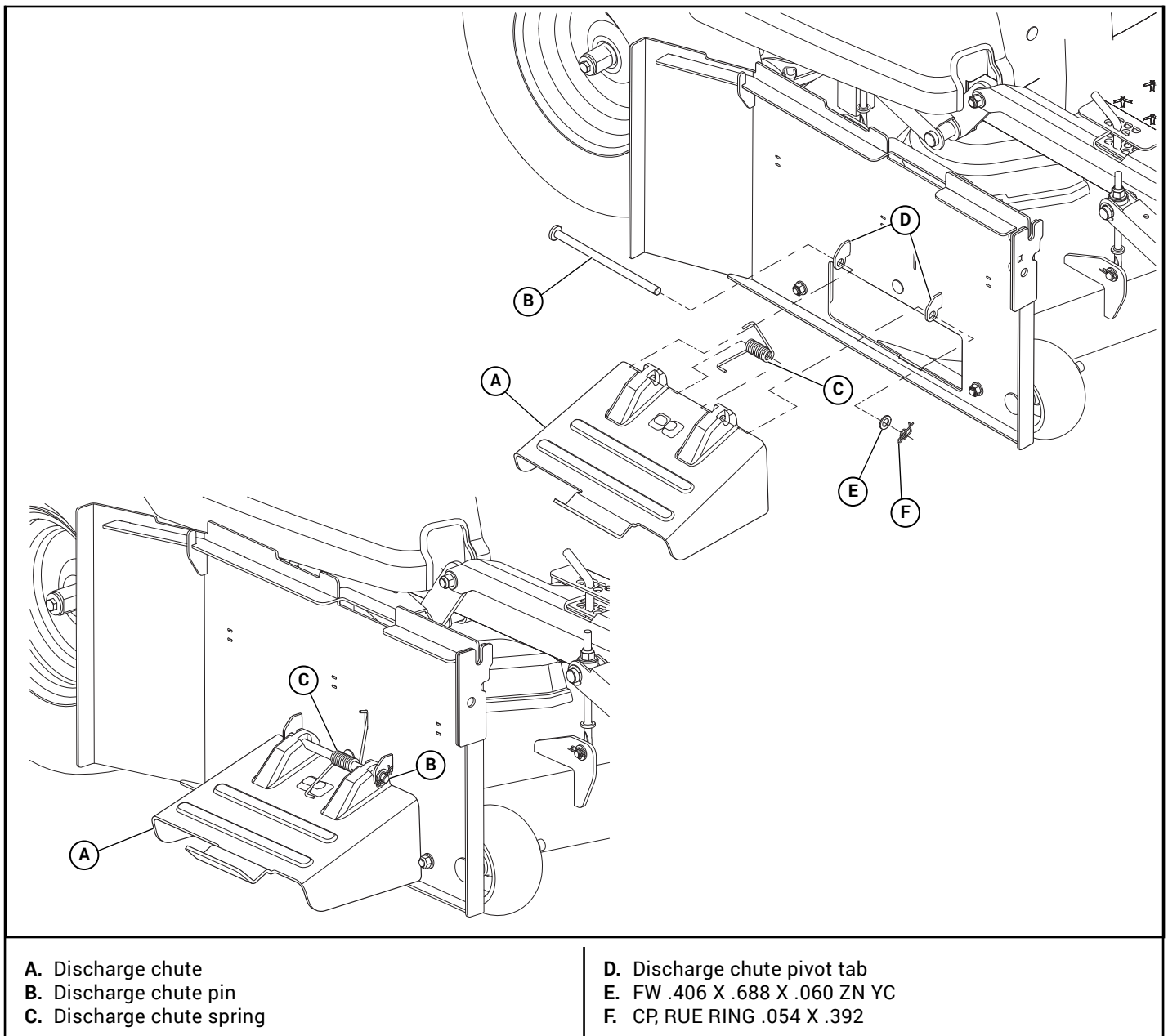


Figure 3-3

5. Rotate the catcher discharge chute to the upright position. Set the catcher bag assembly in place on the catcher plate. Figure 3-4

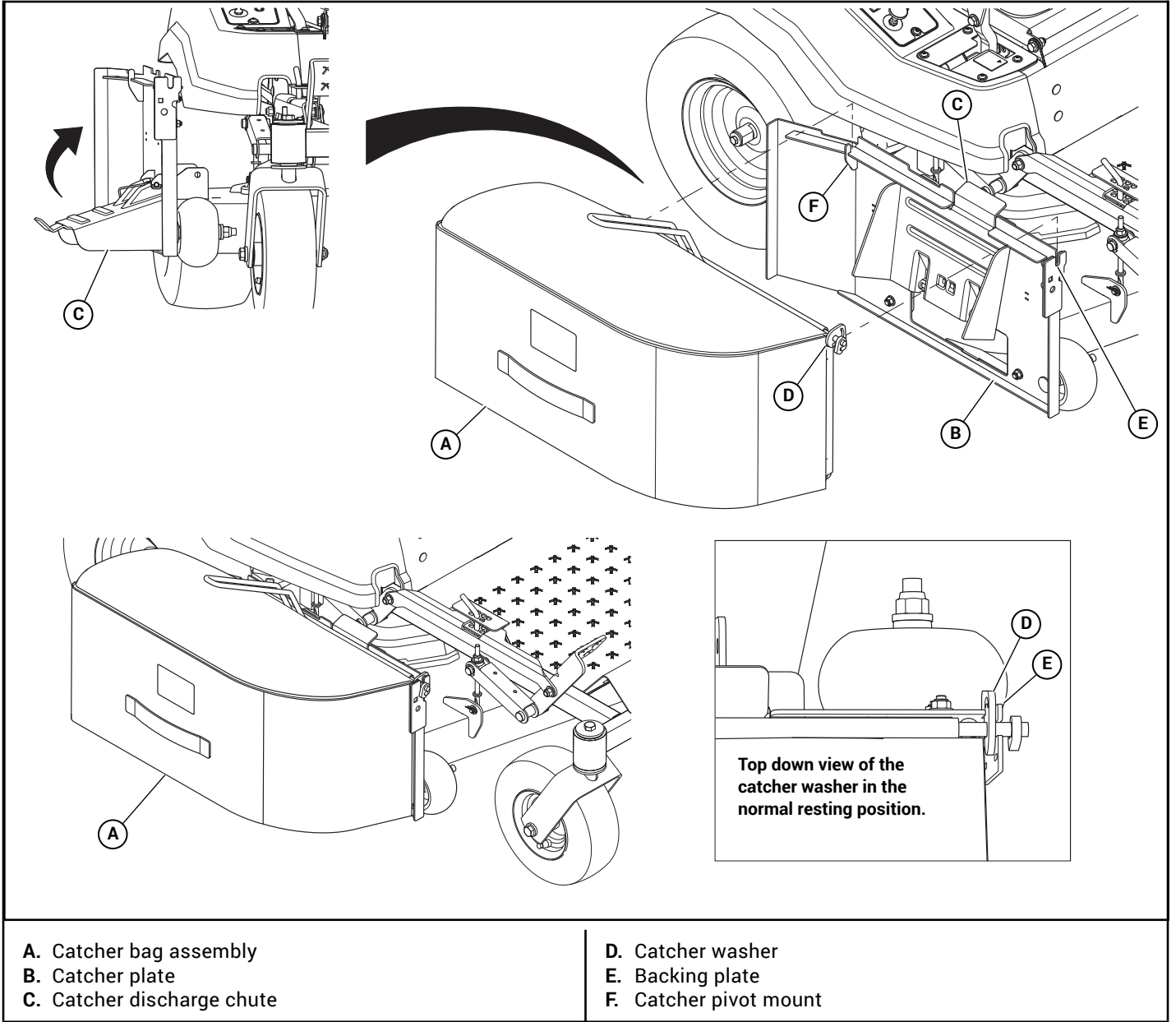


Figure 3-4

OPERATION

Vacuum Pickup and Collection

Follow normal mower start-up and operating procedures as outlined in the mower operator's manual. Whenever the deck clutch switch is engaged there will be debris moving through the catcher system.

The following list contains useful information when using the catcher:

- When catching, use the left side of the mower for trimming to prevent damage to the catcher bag.
- Catching with the cutting height set too low may prevent adequate air movement under the deck. This will cause clogging of the catching system.
- During peak growing times it may be necessary to cut the grass more often. If the grass is too long it may need to be cut twice. First, mow the grass with the cutting height set at a high setting to cut off the upper parts of the grass. Next, lower the cutting height to the preferred finished cut height and mow the area again. This will help reduce clogging.
- To help reduce clogging mow by slightly overlapping the previously cut area.
- Proceed to mow in the normal manner with the engine throttle set to the "FAST" position. Control the mower's ground speed by using the steering control levers. In tall and/or wet grass the high engine speed and slower ground speed will help prevent clogging.
- When catching on slopes mow going downhill when possible. It is necessary to reduce ground speed when operating on a slope.

WARNING

Remember, as the bag fills more weight is added to the side of the mower. Any rapid movement of the control levers in either direction could result in a reaction of the mower that can cause serious injury.

- Do not stop or start suddenly when mowing on slopes. Avoid uphill starts.
 - Disengage the blades if you stop the mower when going uphill and proceed to back off the slope slowly.
 - Maintain an even mowing speed when operating on slopes.
 - Do not stop on a slope.
- As you mow, the air flow dust baffle will balloon out. As the catcher bag fills, the air flow dust baffle will deflate. Disengage the clutch and drive the machine to the unloading area. Figure 4-1

- It is best that the bag be unloaded before the discharge becomes clogged. If clogging occurs, it will be necessary to clean the discharge area of all material before starting to mow again.
- When the grass is wet it may be necessary to mow it first in the side discharge mode. Then, after the clippings have dried, go back over the area with the catcher bag installed and pick up the clippings.
- To minimize clogging, reduce your mowing speed as necessary or wait until there is less moisture in the grass.

WARNING

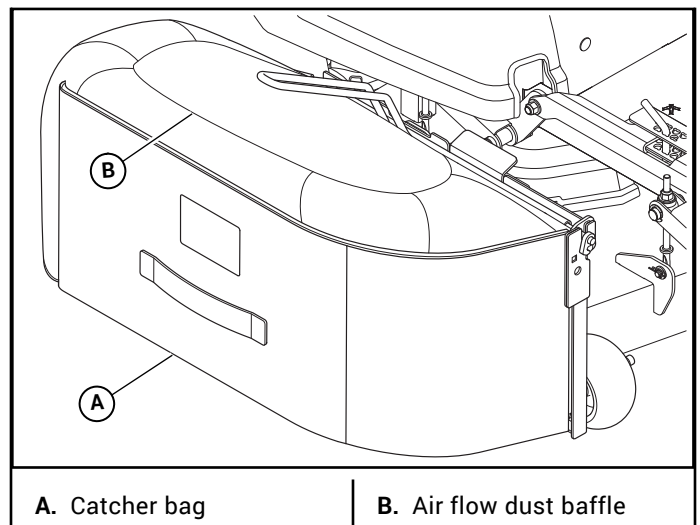
Make certain the engine is turned off, the steering control levers are in the park brake position and the ignition key is removed from the ignition switch. Be sure blades have stopped before cleaning the discharge areas.

WARNING

Never place hands or feet into the discharge area. The mower blade is relatively close to the housing and will cause severe injury. Use a probe to clean debris from the discharge chute.

WARNING

Never engage the mower deck unless the catcher bag or discharge chute is secured in place. Figure 4-1



A. Catcher bag

B. Air flow dust baffle

Figure 4-1

Unloading the Catcher Bag

WARNING

Park the unit on a level surface, disengage the deck clutch switch, place the steering control levers in the park brake position and shut the engine off. Make sure the deck clutch switch is in the disengaged position before unloading.

Park and get off the mower. Raise the catcher bag assembly straight up by the handle and tilt the catcher bag opening up. Proceed to dump the bag. The discharge chute drops into place automatically. Figure 4-2

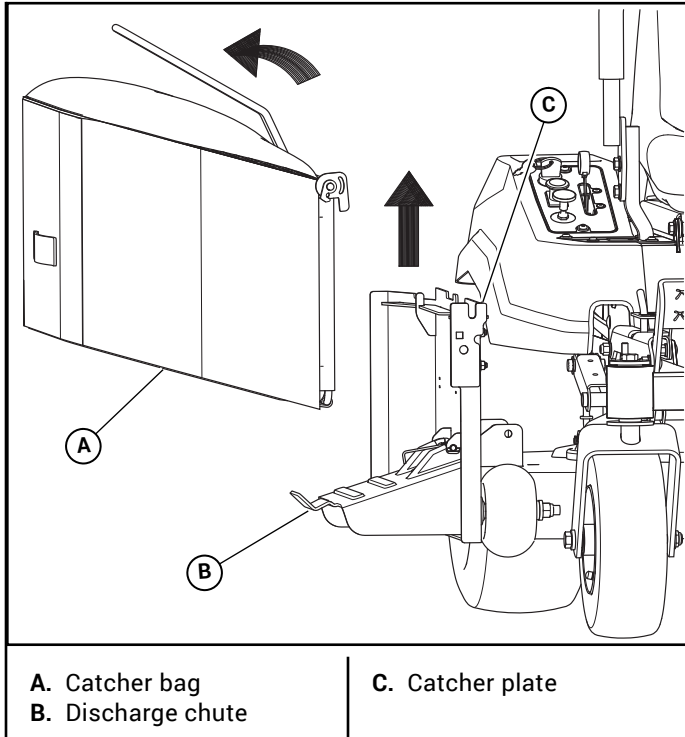


Figure 4-2

Rotate the catcher discharge chute to the upright position to install the bag on the catcher plate. Figure 4-3

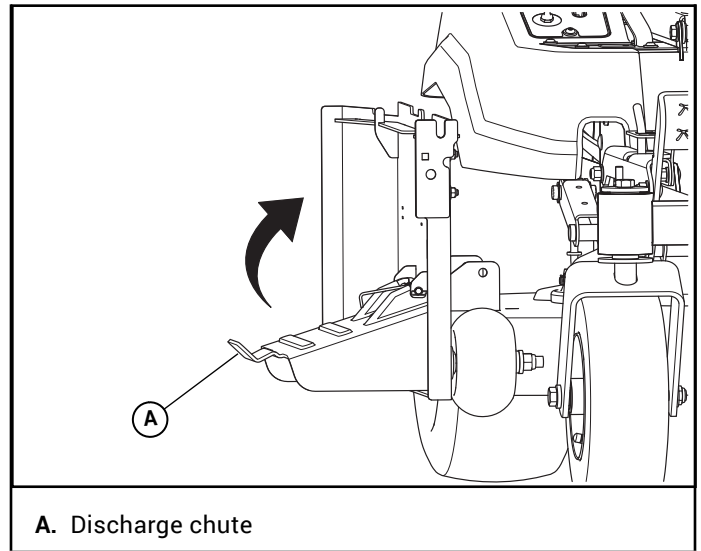


Figure 4-3

Make sure the lower edge of the catcher plate is clear of debris before installing the catcher bag. Figure 4-4

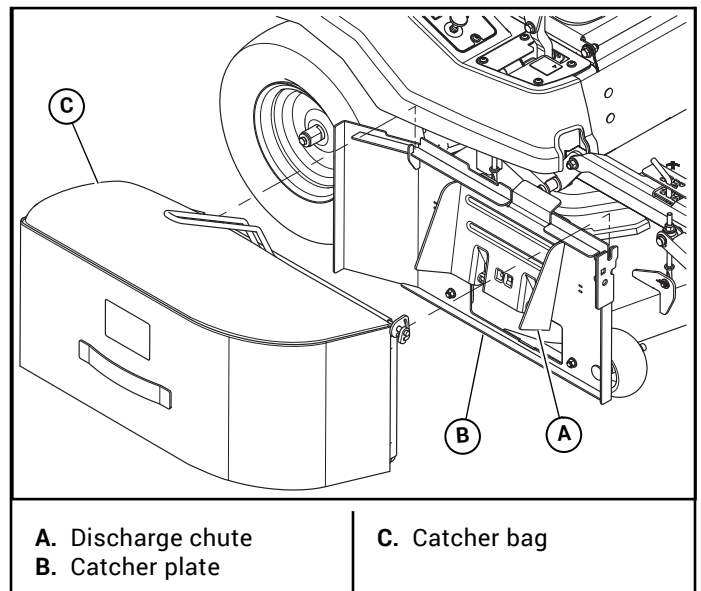


Figure 4-4

Dump-From-Seat Kit

Optional Kit #125223 allows the operator to unload the catcher bag while staying in the seat. The kit provides components and instructions for modifications to the catcher. The dump-from-seat kit protects the operator and bystanders from thrown objects during operation and unloading. Contact your dealer to get more information.

Transporting Mower With Catcher

When transporting the mower to another location with the catcher attached, on an open trailer or vehicle, the catcher bag must be removed and secured in the transporting vehicle to prevent it from being blown off.

Converting To Side Discharge Mode

Remove the catcher bag from the mower. The side discharge chute attached to the catcher plate automatically rotates into place. The mower is ready to operate in the side discharge mode. The catcher plate can remain in place on the mower. Figure 4-5

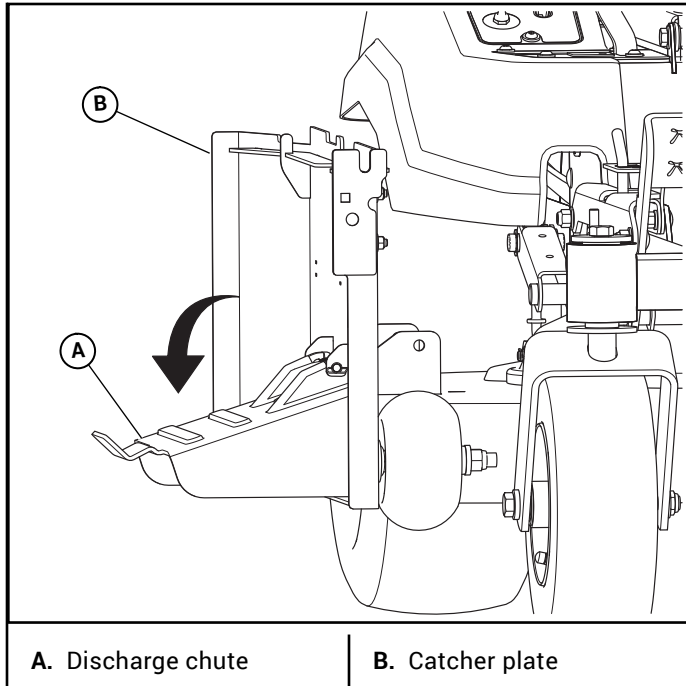


Figure 4-5

If the catcher plate is removed, the original discharge chute must be re-installed. Remove the catcher plate hardware shown. Figure 4-6

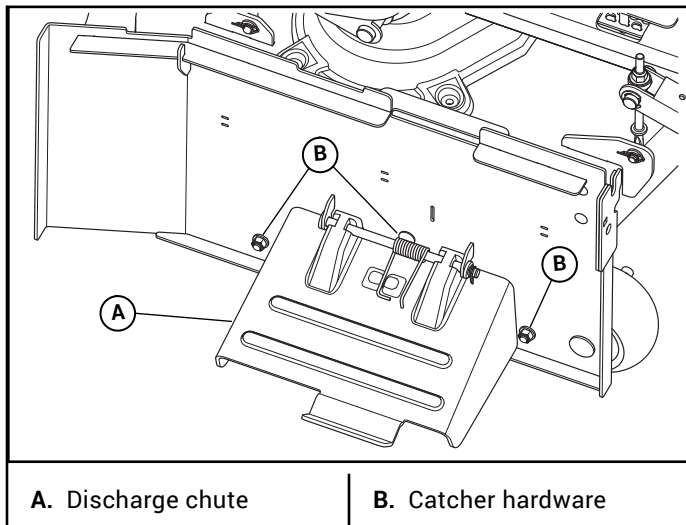


Figure 4-6

Install the original discharge chute. Figure 4-7

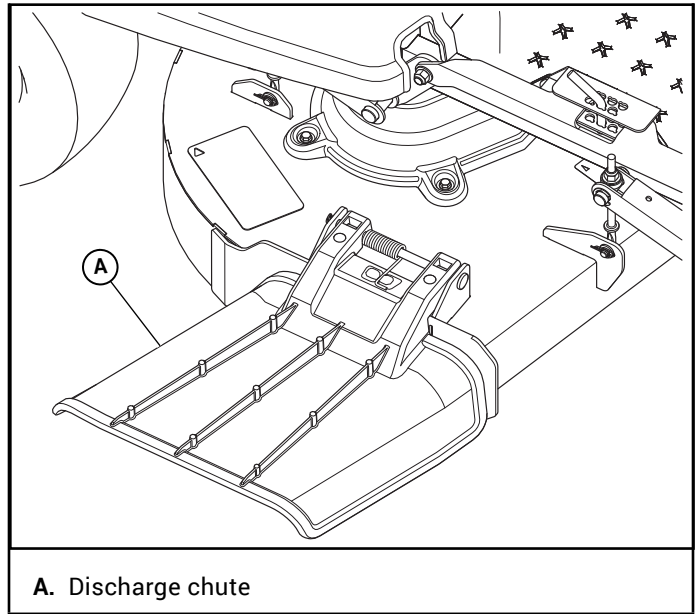


Figure 4-7

IMPORTANT: Make sure the discharge chute is in the correct position before mowing.

WARNING

Always operate with complete catcher system, mulching system or side discharge chute in place and in the lowest position.

MAINTENANCE & STORAGE

Maintenance

WARNING ⚠

Never work on the mower deck when the engine is running.

WARNING ⚠

Clean flammable material from machine. Prevent fires by keeping the engine compartment, top of deck, exhaust area, battery, fuel line, fuel tank and operator's station clean of accumulated trash, grass clippings, and other debris. Always clean up spilled fuel and oil.

Inspect the catcher after the initial use of the unit and every month thereafter.

- Check for damaged or worn parts. Replace or repair all damaged parts before operating with the catcher again.
- Check for loose hardware. Tighten any hardware that is loose.
- Inspect and replace the catcher bag if any deterioration has occurred.

WARNING ⚠

Severe injury can occur to the operator and/or bystanders or property damage may occur as the result of flying debris or thrown objects due to a damaged catcher bag.

- Check the catcher bag for any signs of damage such as tears, holes, wear or any deterioration.
- If the catcher bag is found to be defective in any way, replace it with a new bag that is supplied by Excel Industries, Inc.

To clean the catcher bag, hand wash with soap and water; rinse with clean water.

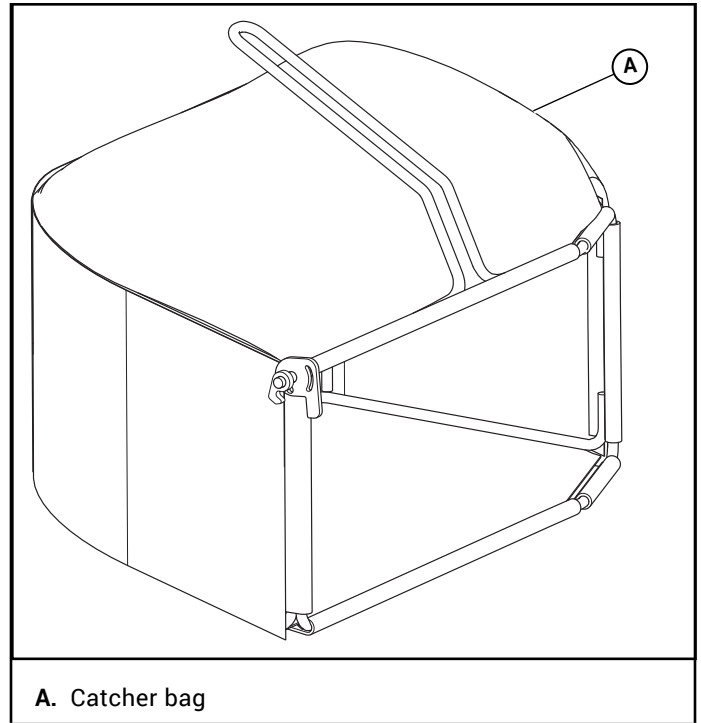


Figure 5-1

Storage

When the mower is to sit idle for a period of time, scrape and remove the matted grass residue and clean the bag. Make sure the catcher bag is dry before storing.

Check for loose or missing hardware, tighten or replace. Also check for badly worn or damaged parts, consider replacing them at this time. Touch up chipped paint areas. Supplies are available from your dealer.

EXCEL

INDUSTRIES

Side Catcher Warranty Policy

Excel Industries, Inc. makes the following warranty to the **original purchaser** only:

- a. Excel Industries, Inc. attachments and accessories are warranted for **one (1) year (parts and labor) from date of delivery** on all materials and workmanship.

If the Purchaser discovers within this warranty period a defect in materials or workmanship:

- Purchaser must promptly notify an authorized dealer of the defect. In no event shall such notification be received by an authorized dealer later than **thirteen (13) months** from date of delivery.

- Within a reasonable time after such notification, Excel Industries, Inc. will correct any defect in material or workmanship on the Excel Industries, Inc. attachments and accessories, by repairing or replacing part(s) with either new or used replacement parts.
- Such repair, including parts and labor shall be at the expense of Excel Industries, Inc.

General Information

Who Must Perform The Warranty Service

All warranty service will be performed by Excel Industries, Inc. or authorized dealers. **Service calls and/or transportation expense** of the product to and from the authorized dealer, for warranty work, will be paid by the owner of the product. For warranty service contact an authorized dealer.

What Is Not Covered By This Warranty

Excel Industries, Inc. does not warranty:

- Improper or incorrectly performed maintenance or repair by unauthorized persons that causes damages to the equipment.
- Damage caused by use of the Excel Industries, Inc. turf equipment for purposes other than those for which it was designed.
- Damages caused by disasters such as fire, flood, wind, and lightning.
- Damages caused by neglect, abuse, abnormal use, improper or unreasonable use, accident, negligence or misuse.
- Repairs or replacement from damage resulting from the use of unauthorized accessories or attachments.
- Using replacement parts that are neither approved by Manufacturer nor are equivalent in overall performance. Damage caused by unauthorized replacement parts is not covered by this warranty. Manufacturer expressly excludes liability for defects or damage caused by such 'unauthorized' articles or service.
- Damage caused by foam filled or solid filled tires.
- Repairs or replacement as the result of alterations or modifications.
- Excel Industries, Inc. turf equipment which has the serial number removed or made illegible.

- Depreciation or damage caused by normal wear, lack of reasonable and proper maintenance, failure to follow the product's operator's manual operating, maintenance and adjustment instructions or other operational instructions provided by Excel Industries, Inc.
- Normal maintenance parts and service including, but not limited to, lubricants, belts, blades, blade sharpening, or bearings.

Disclaimer Of Warranty

THE FOREGOING WARRANTIES ARE IN LIEU OF ALL OTHER WARRANTIES, EXPRESSED OR IMPLIED, INCLUDING BUT NOT LIMITED TO THE IMPLIED WARRANTIES OF MERCHANTABILITY AND FITNESS FOR A PARTICULAR PURPOSE. HOWEVER, IF THE EXCEL INDUSTRIES, INC. ATTACHMENT OR ACCESSORY IS PURCHASED AS A CONSUMER PRODUCT, ANY IMPLIED WARRANTY OF MERCHANTABILITY OR FITNESS FOR A PARTICULAR PURPOSE IS LIMITED TO THE DURATION OF THIS LIMITED WARRANTY.

Some states do not allow limitations on how long an implied warranty lasts, so the above limitation may not apply to you. This warranty gives you specific legal rights, and you may also have other rights which vary from state to state.

Limitations Of Warranties

IN NO CASE SHALL EXCEL INDUSTRIES, INC., OR ITS AFFILIATES, BE LIABLE FOR ANY SPECIAL, INCIDENTAL, OR CONSEQUENTIAL DAMAGES BASED UPON BREACH OF WARRANTY, BREACH OF CONTRACT, NEGLIGENCE, STRICT LIABILITY IN TORT, OR ANY OTHER LEGAL THEORY.

Such damages include, but are not limited to:

- Loss of profits
- Loss of savings or revenue
- Loss of use of Excel Industries, Inc. turf equipment or any associated equipment

- Cost of capital
- Cost of any substitute equipment, facilities, services or downtime
- The claims of third parties including customers, and injury to property

Some states do not allow the exclusion or limitation of incidental or consequential damages, so the above limitation or exclusion may not apply to you.

No Other Warranties

Unless modified in writing, signed by both parties, and approved by the President of Excel Industries, Inc., this agreement is understood to be the complete and exclusive agreement between the parties, superseding all prior agreements, oral or written, and all other communications between the parties relating to the subject matter of this agreement. No employee of Excel Industries, Inc., or any other party is authorized to make any warranty in addition to those made in this agreement.

Allocation Of Risks

This agreement allocates the risks of product failure between Excel Industries, Inc. on the one hand and the purchaser on the other. This allocation is recognized by both parties and is reflected in the price of the goods.

Owner's Responsibility

You must maintain your Excel Industries, Inc. product following the maintenance procedures described in your operator's manual. Such routine maintenance, whether performed by a dealer or by you, is at your expense.

This attachment or accessory like any other equipment is potentially dangerous unless properly operated. Any operator **must** be cautious and keep safety in mind at all times. Any operator, prior to using the Excel Industries, Inc. turf equipment, should thoroughly familiarize himself with the operator's manual regarding operation and safety of the machine, as well as all safety warnings on the machine itself.

Warranty Registration

- **Hustler® Dealers must** register the attachment on-line at <https://dealer.hustlerturf.com> within **ten (10) days** following date of purchase.
- **BigDog® Dealers must** register the attachment on-line at <http://excel.warrantysmart.arinet.com> within **ten (10) days** following date of purchase.
- **Lowe's® customers must** register the attachment on-line at http://www.hustlerturf.com/raptor_warranty_registration within **ten (10) days** following date of purchase.
- The date of purchase constitutes delivery.
 - Failure to register the attachment may void the warranty.

Australia Special Information

The following information is for Australian consumers only.

The benefits to the consumer given by this warranty are in addition to other rights and remedies of the consumer under a law in relation to the goods or services to which this warranty relates.

Our goods come with guarantees that cannot be excluded under the Australian consumer law. You are entitled to a replacement or refund for a major failure and for compensation for any reasonable foreseeable loss or damage. You are also entitled to have the goods repaired or replaced if the goods fail to be of acceptable quality and the failure does not amount to a major failure.

Powerup Lawncare Products

11 Sodium St.

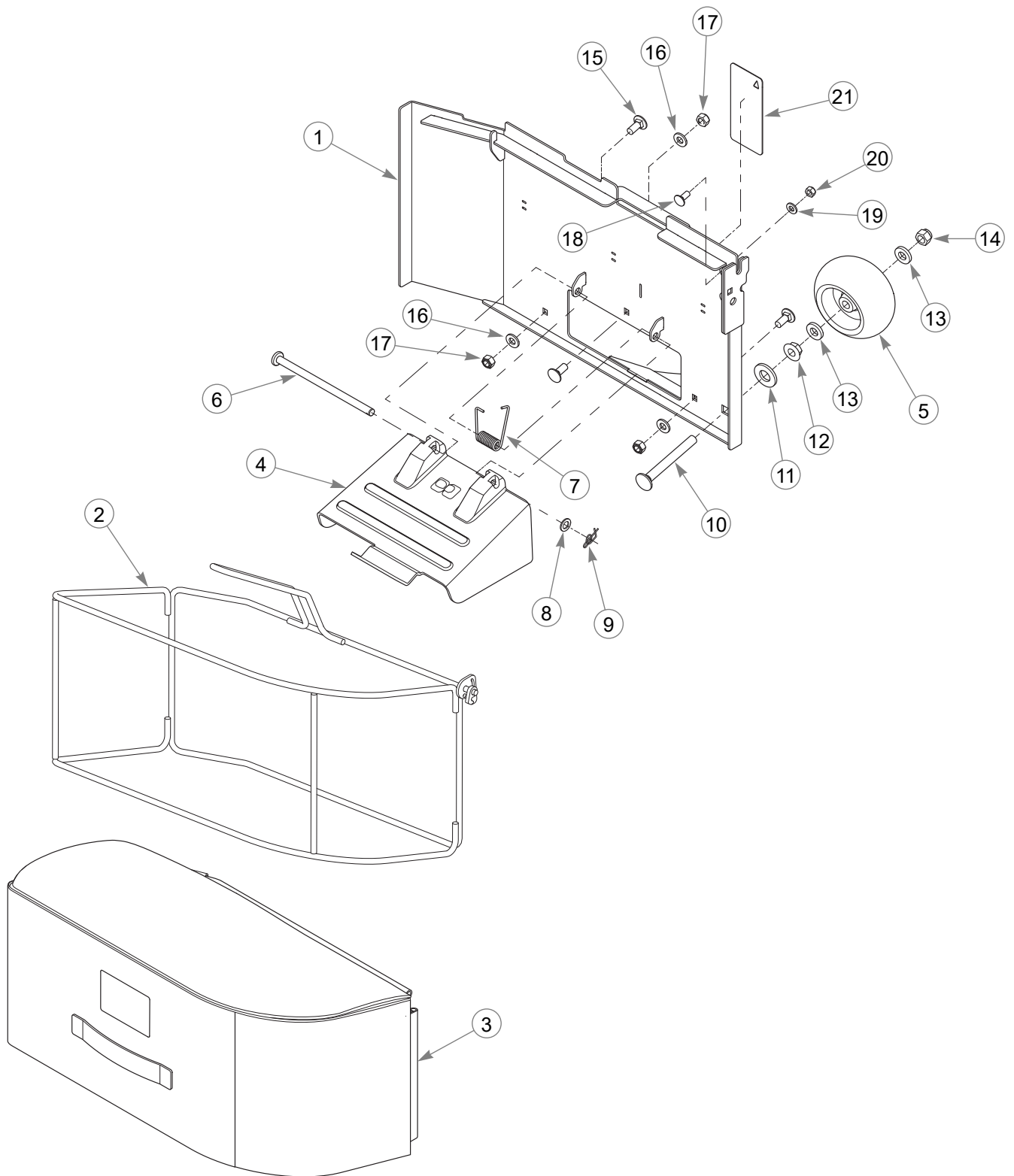
Narangba, Qld 4504

Telephone 1300 363 027

PARTS MANUAL

Side Catcher 7-2

Side Catcher



Side Catcher

INDEX NO.	PART NO.	QTY	DESCRIPTION
1	125035	1	CATCHER, PLATE, W/A
2	125043	1	CATCHER, FRAME
3	607273	1	CATCHER, BAG
4	607241	1	DISCHARGE CHUTE, CATCHER
5	031997	1	ANTI-SCALP WHEEL
6	607157	1	PIN, DISCHARGE CHUTE
7	607287	1	CHUTE SPRING
8	704718	1	FW .406 X .688 X .060 ZNYC
9	607093	1	CP, RUE RING .054 X .392
10	602339	1	CB .50-13 X 4.50 STD ZN
11	603078	1	FW .750X 1.500X .156 ZN
12	795153	1	NT .500-13FLK
13	767962	2	FW .531 X 1.063 X .175
14	781567	1	NT .500-13NLG5
15	016253	3	CB .312-18X .750 FUL ZN
16	768523	3	FW 0.343SAE
17	058776	3	NT .312-18NLG5
18	601503	1	CB .250-20 X .625 ZNYC
19	768515	1	FW 0.281SAE
20	068551	1	NT .250-20 HXZY NL
21	607351	1	SAFETY DECAL

NOTES:

INDEX

	PAGE		PAGE
Assembly	3-1	Storage	5-1
Converting To Side Discharge Mode	4-3	To the New Owner	1-1
Maintenance	5-1	Transporting Mower With Catcher Attached	4-2
Parts and Service	1-1	Unloading the Catcher Bags	4-2
Parts List	3-1	Vacuum Pickup and Collection	4-1
Required Tools	3-1	Warranty Policy	6-1
Safe Operation and Service Precautions	2-1	Warranty registration	1-1
Safety and Instruction Decals	2-2		

