

# Hustler® Parts Manual



**HUSTLER®**  
TURF EQUIPMENT

200 South Ridge Road

Hesston, Kansas

67062



#### NOTICE OF REQUIREMENT OF SPARK ARRESTER MUFFLER

This equipment may create sparks that can start fires around dry vegetation. California Public Resources Code Section 4442.6 provides that it is unlawful to use or operate an internal combustion engine on any forest-covered, brush-covered, or grass-covered land unless the engine is equipped with a spark arrester maintained in effective working order. A spark arrester is a device constructed of nonflammable materials specifically for the purpose of removing and retaining carbon and other flammable particles over 0.0232 of an inch in size from the exhaust flow of an internal combustion engine that uses hydrocarbon fuels or which is qualified and rated by the United States Forest Service. Other states or federal areas may have similar laws. The Operator Should Contact Local Fire Agencies For Laws or Regulations Relating to Fire Prevention Requirements. **THIS EQUIPMENT DOES NOT HAVE A SPARK ARRESTER AND YOU SHOULD CONTACT YOUR AUTHORIZED DEALER FOR THE PURCHASE OF A SPARK ARRESTER.**

Inspect spark arrester daily; replace every 500 hours or as needed.

The Engine Owner's Manual provides information regarding the U.S. Environmental Protection Agency (EPA) and the California Emission Control Regulation of emission systems, maintenance and warranty.

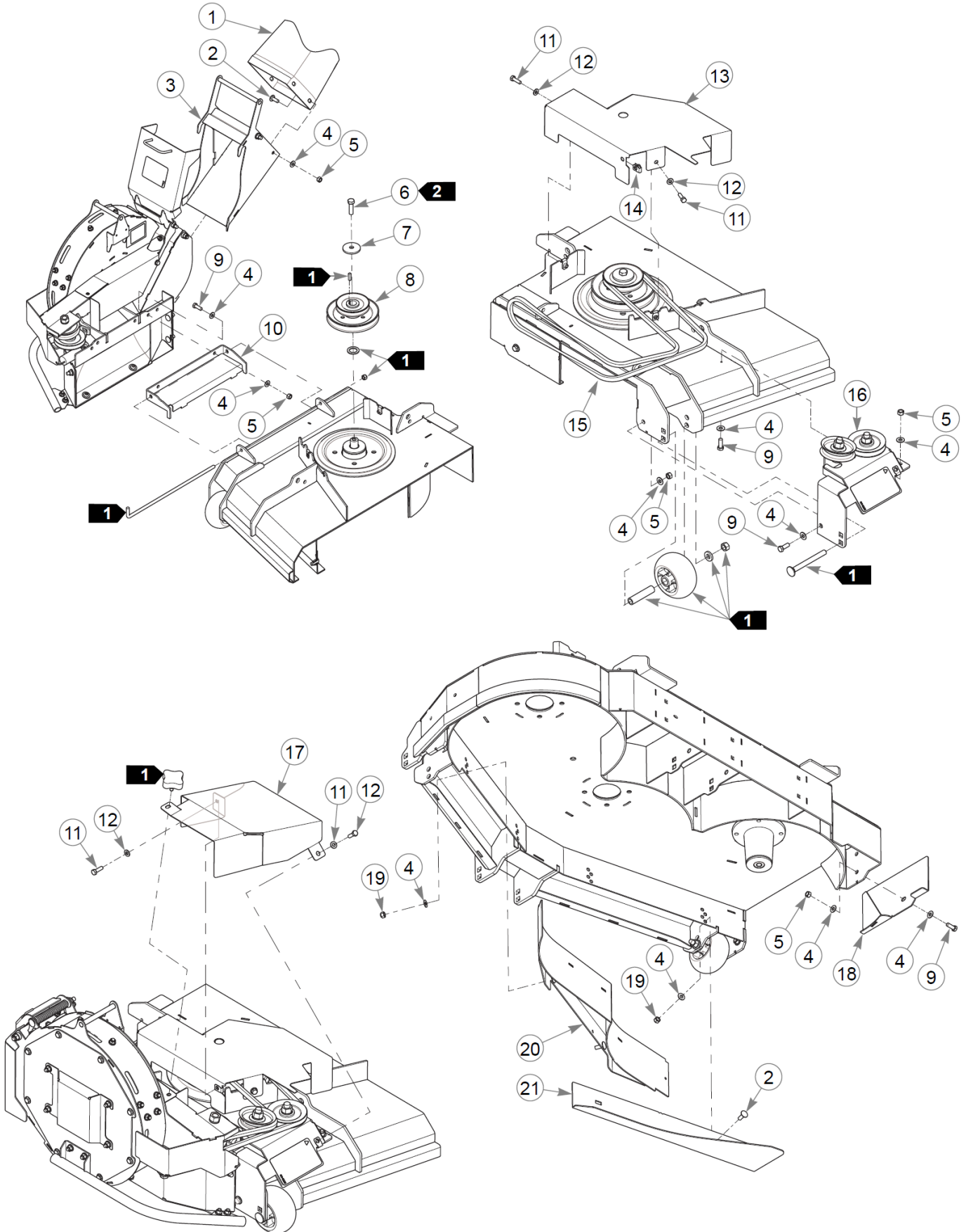
Keep Engine Owner's Manual with your unit. Should the Engine Owner's Manual become damaged or illegible, replace immediately. Replacements may be ordered per the information found in the Product Information section of the owner's manual.

Federal law and California State law prohibit the following acts or the causing thereof:

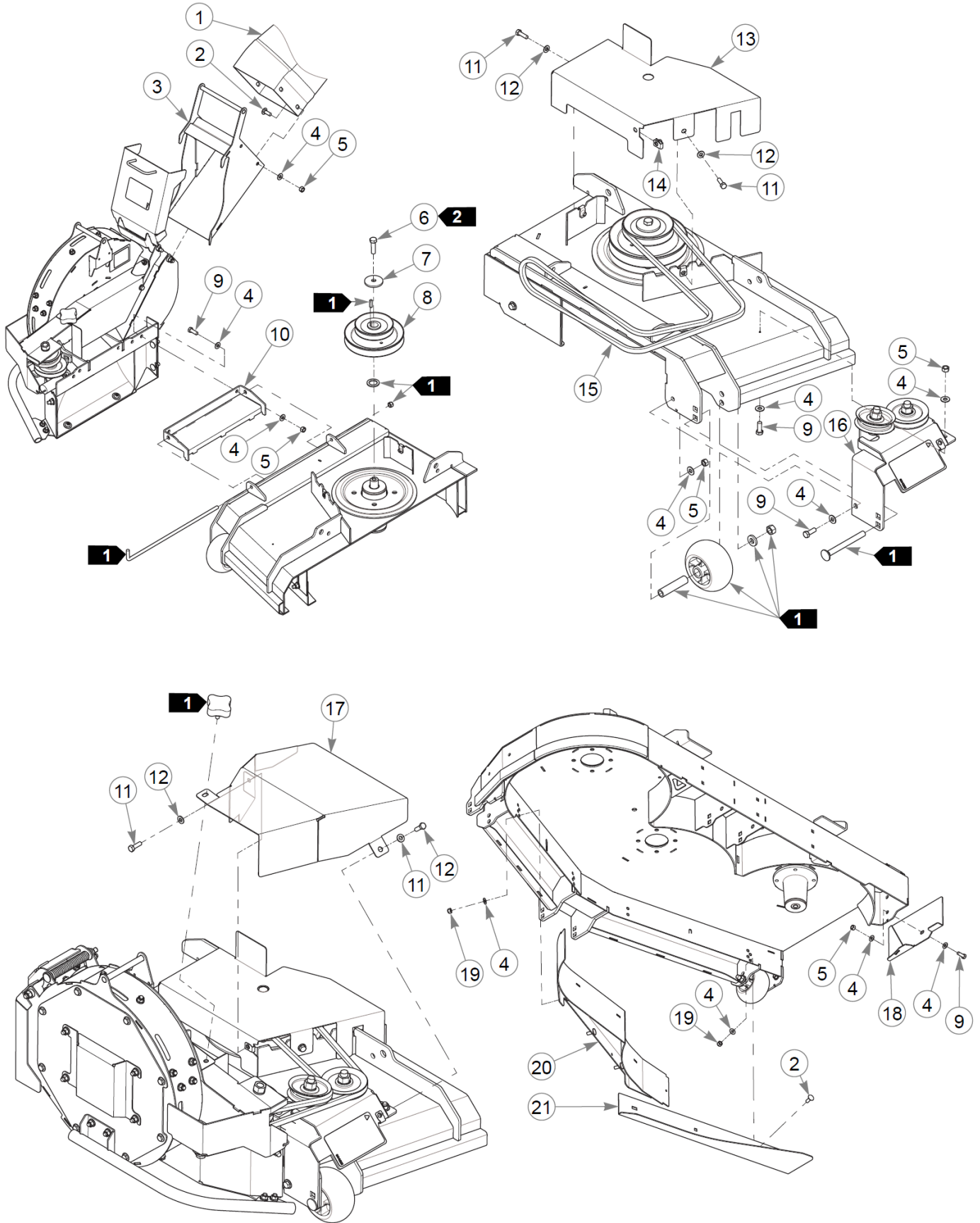
1. The removal or rendering inoperative by any person other than for purposes of maintenance, repair, replacement, of any device or element of design incorporated into any equipment for the purposes of emissions control prior to or after its sales or delivery to the ultimate purchaser or while it is in use, or
2. The use of the equipment after such device or element of design has been removed or rendered inoperative by any person.

123778—Hustler 54" Deck Adapter	1
123779—Hustler 60" Deck Adapter	2
Pulley Mount Breakdown - Hustler 54/60" Deck Adapter	3
123780—Hustler 66" Deck Adapter	4
123781—Hustler 72" Deck Adapter	5
123464—BigDog Diablo MP 60" Deck Adapter	6
123465—BigDog Diablo MP 72" Deck Adapter	7
Pulley Mount Breakdown - BigDog Diablo MP 60/72" Deck Adapter	8
Blower (Multi-Page)	9
Catcher Frame (Multi-Page)	10
Catcher Weight Mount	11
Frame Adapter	12
Catcher Bag & Flex Tube	13





Item	Part No.	Qty	Name
1	603213	1	BLOWER OUTLET TUBE
2	025395	6	CB .375-16X 1.00 G5 ZN
3	114066	1	OUTLET ADAPTER
4	767954	16	FW 0.379X.82X.06 HD ZN
5	054502	9	NT .375-16HXG5
6	017616	1	CS .500-13X1.750HXG5
7	752386	1	CW .515X 2.25X .204 BLK
8	605832	1	54" DOUBLE DRIVE
9	036244	5	CS .375-16X1.00 HX G5 ZN
10	124326-3	1	BLOWER MOUNT W/A 54
11	036236	4	CS .312-18X1.000HXG5
12	768523	4	FW 0.343SAE
13	124339-3	1	54 DECK COVER
14	601069	1	CN .312-18x.200 MAX THK
15	601786	1	DECK BELT
16	N/A	1	PULLEY MOUNT ASSEMBLY
17	124340-3	1	54 BELT COVER
18	114071	1	54" BLOWER BAFFLE
19	086660	4	NT .375-16NLG8
20	118204	1	BAFFLE W/A, LS
21	114360	1	BAFFLE, BLOWER RH 54"

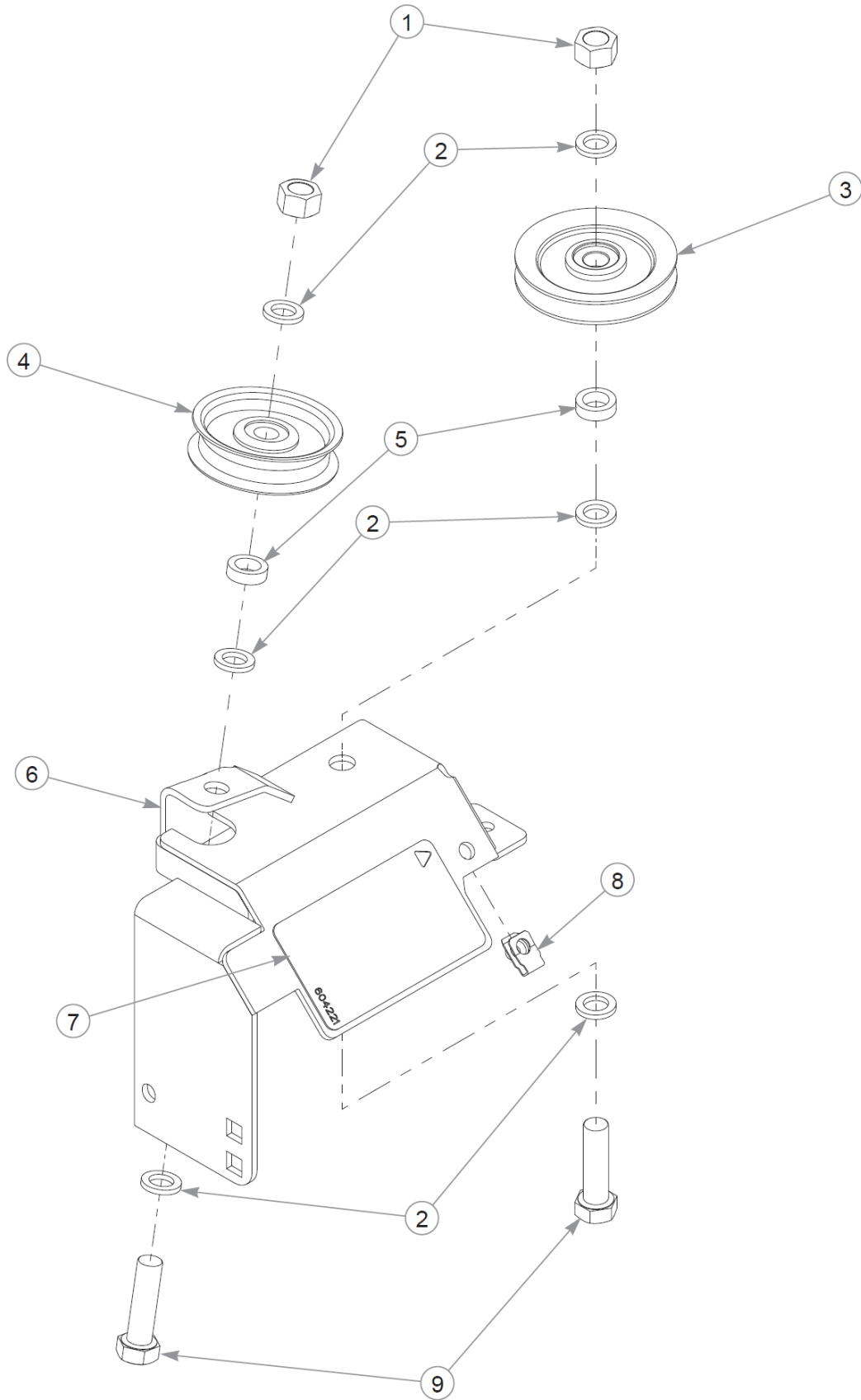


Item	Part No.	Qty	Name
1	603324	1	72 BLOWER OUTLET TUBE
2	025395	7	CB .375-16X 1.00 G5 ZN
3	114066	1	OUTLET ADAPTER
4	767954	16	FW 0.379X.82X.06 HD ZN
5	054502	7	NT .375-16HXG5
6	017616	1	CS .500-13X1.750HXG5
7	752386	1	CW .515X 2.25X .204 BLK
8	602914	1	60" SZ DOUBLE PULLEY
9	036244	5	CS .375-16X1.00 HX G5 ZN
10	124329-3	1	BLOWER MOUNT W/A
11	036236	4	CS .312-18X1.000HXG5
12	768523	4	FW 0.343SAE
13	124341-3	1	60 DECK COVER
14	601069	1	CN .312-18x.200 MAX THK
15	607161	1	BELT, A-SEC 92.25"
16	N/A	1	PULLEY MOUNT ASSEMBLY
17	124342-3	1	60 BELT COVER
18	113127	1	60 BLOWER BAFFLE W/A
19	086660	6	NT .375-16NLG8
20	117800	1	BAFFLE W/A, LS
21	114361	1	BAFFLE, BLOWOUT RH 60"

Comments for Page: 123779—Hustler 60" Deck Adapter

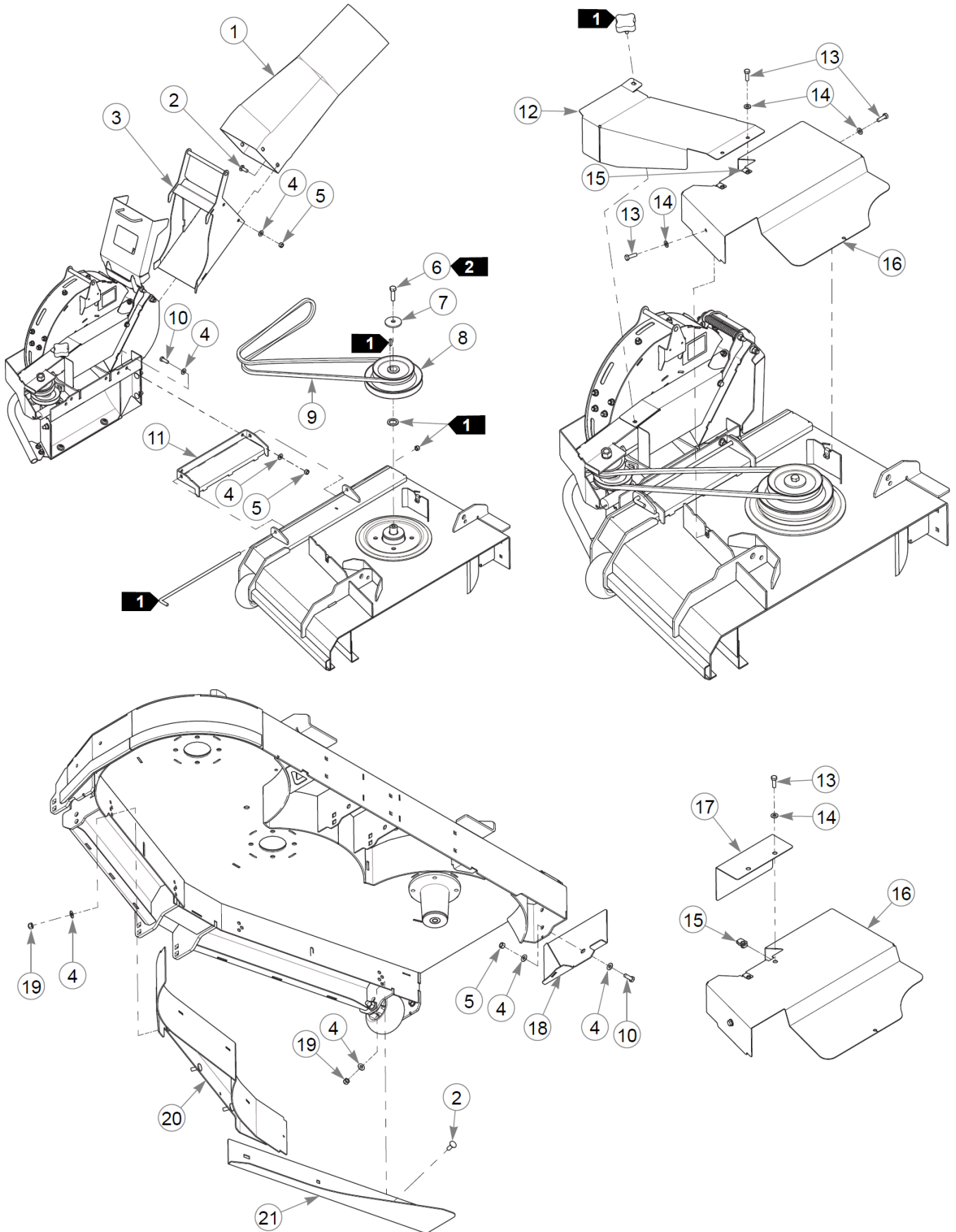
1. Existing hardware.2. Torque to 65–75 ft–lbs.





Pulley Mount Breakdown - Hustler 54/60" Deck Adapter EXCEL 3-Bag Catcher 54" / 60" / 66" / 72" Parts Manual

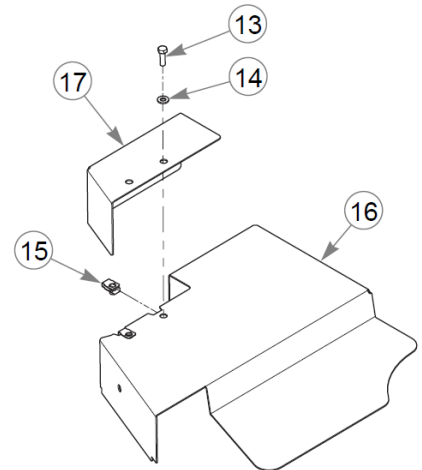
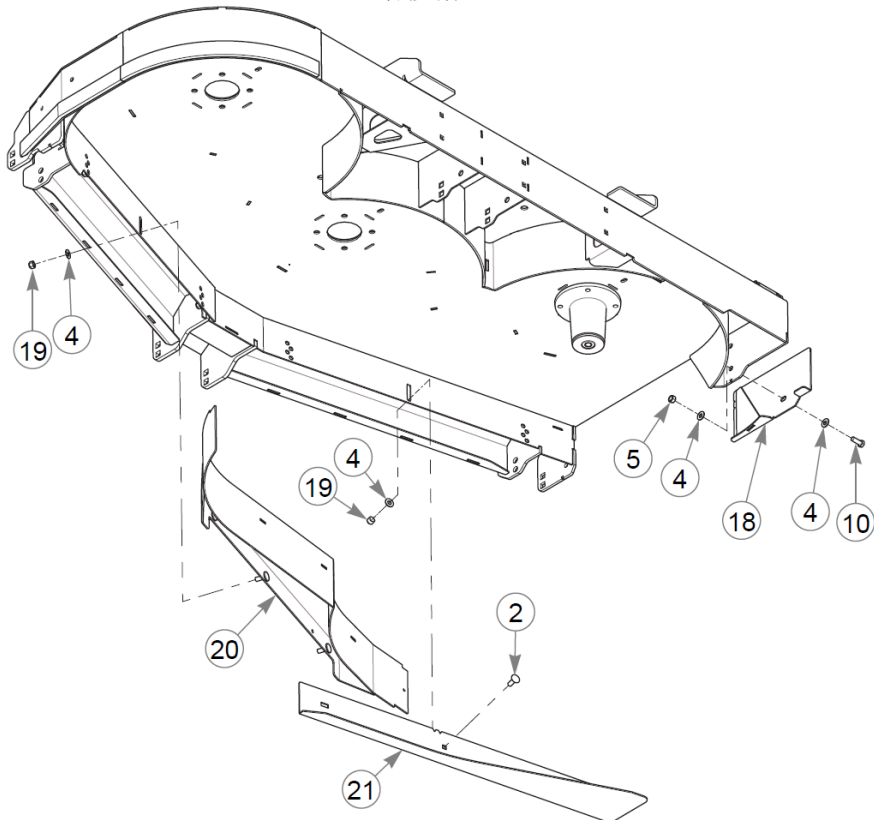
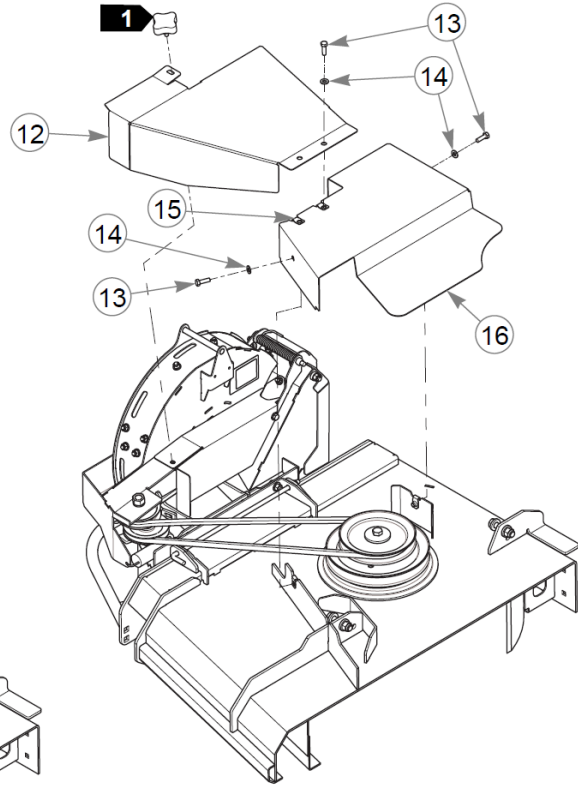
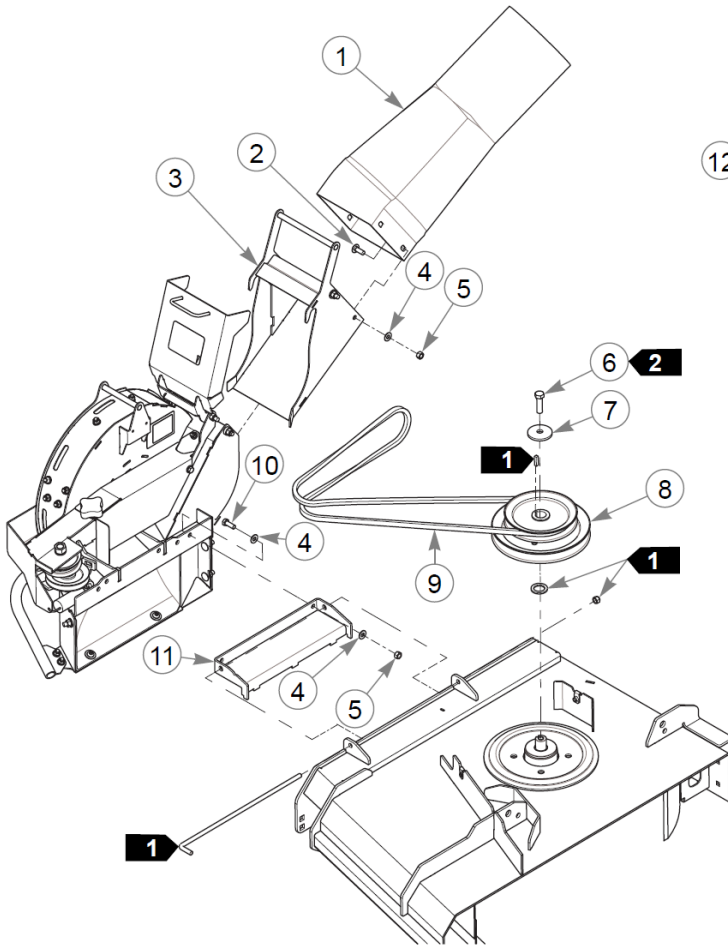
Item	Part No.	Qty	Name
1	016972	2	NT .625-11 HX G5 ZN
2	028118	6	FW 0.625X1.00X.13 ZN
3	602913	1	V-IDLER PULLEY
4	791566	1	PULLEY IDLER 3.25"ODX.6
5	600296	2	SPACER, DECK IDLER
6	554510	1	SVC PULLEY MOUNT
7	604221	1	DECAL, DANGER / CHUTE
8	601069	1	CN .312-18x.200 MAX THK
9	601983	2	CS .625-11 X 2.25 HXG5ZN



Item	Part No.	Qty	Name
1	603324	1	72 BLOWER OUTLET TUBE
2	025395	7	CB .375-16X 1.00 G5 ZN
3	114066	1	OUTLET ADAPTER
4	767954	16	FW 0.379X.82X.06 HD ZN
5	054502	7	NT .375-16HXG5
6	017616	1	CS .500-13X1.750HXG5
7	752386	1	CW .515X 2.25X .204 BLK
8	603312	1	66" DOUBLE DRIVE
9	602997	1	BELT, A 86.0" EL
10	036244	3	CS .375-16X1.00 HX G5 ZN
11	124329-3	1	BLOWER MOUNT W/A
12	124344-3	1	66 BELT COVER
13	036236	4	CS .312-18X1.000HXG5
14	768523	4	FW 0.343SAE
15	601069	1	CN .312-18x.200 MAX THK
16	124343-3	1	66 DECK COVER
17	124349-3	1	66 AUX COVER
18	114074	1	66" BLOWER BAFFLE
19	086660	6	NT .375-16NLG8
20	118208	1	BAFFLE W/A, LS
21	114362	1	BAFFLE, BLOWOUT RH 66"

Comments for Page: 123780—Hustler 66" Deck Adapter

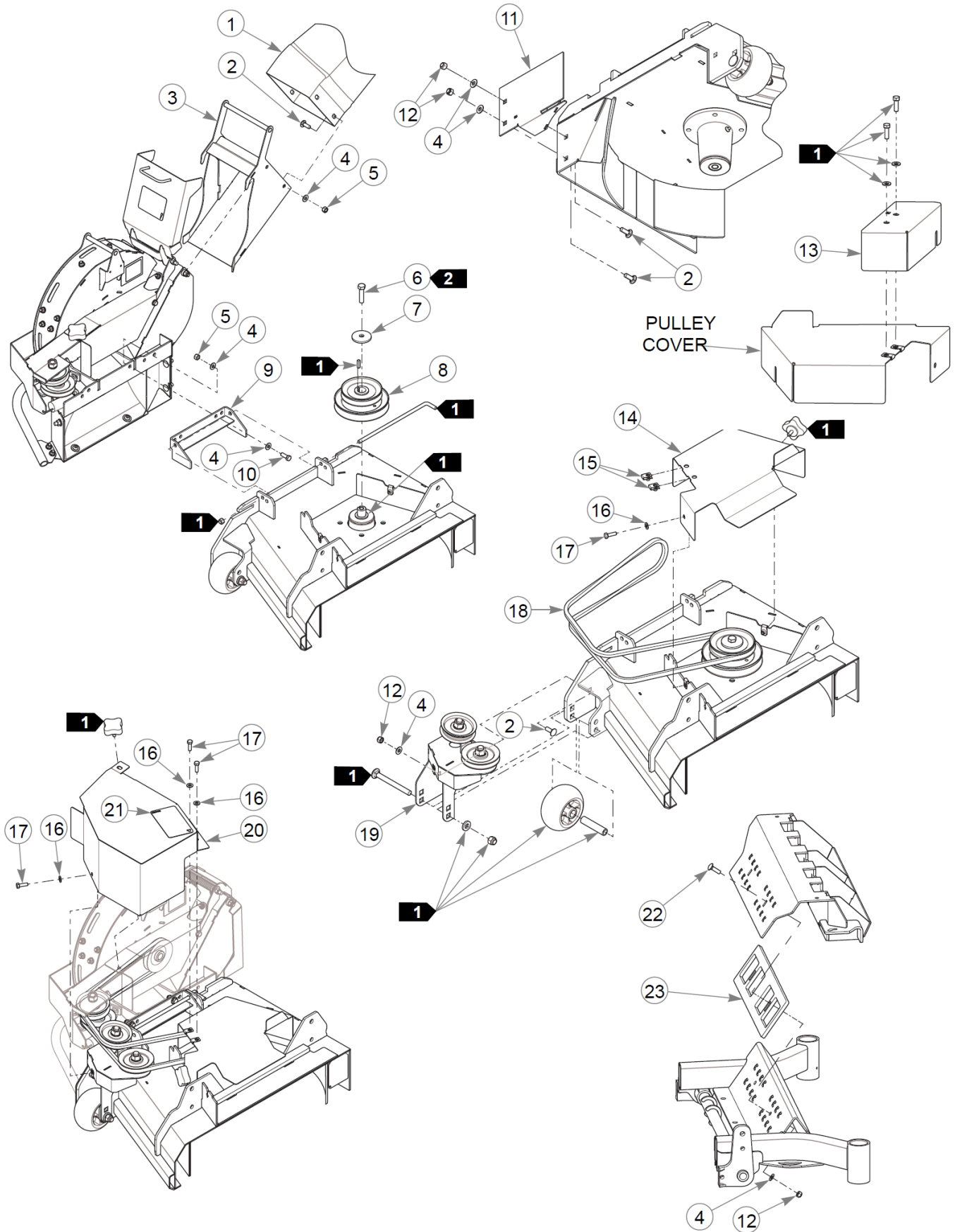
1. Existing hardware.2. Torque to 65–75 ft–lbs.



Item	Part No.	Qty	Name
1	603324	1	72 BLOWER OUTLET TUBE
2	025395	7	CB .375-16X 1.00 G5 ZN
3	114066	1	OUTLET ADAPTER
4	767954	16	FW 0.379X.82X.06 HD ZN
5	054502	7	NT .375-16HXG5
6	017616	1	CS .500-13X1.750HXG5
7	752386	1	CW .515X 2.25X .204 BLK
8	603313	1	72" DOUBLE DRIVE
9	602998	1	BELT, A 89.0" EL
10	036244	3	CS .375-16X1.00 HX G5 ZN
11	124329-3	1	BLOWER MOUNT W/A
12	124346-3	1	72 BELT COVER
13	036236	4	CS .312-18X1.000HXG5
14	768523	4	FW 0.343SAE
15	601069	1	CN .312-18x.200 MAX THK
16	124345-3	1	72 DECK COVER
17	124350-3	1	72 AUX COVER
18	114077	1	72 BLOWER BAFFLE
19	086660	6	NT .375-16NLG8
20	118212	1	BAFFLE W/A, LS
21	114363	1	BAFFLE, BLOWOUT RH 72"

Comments for Page: 123781—Hustler 72" Deck Adapter

1. Existing hardware.2. Torque to 65–75 ft–lbs.

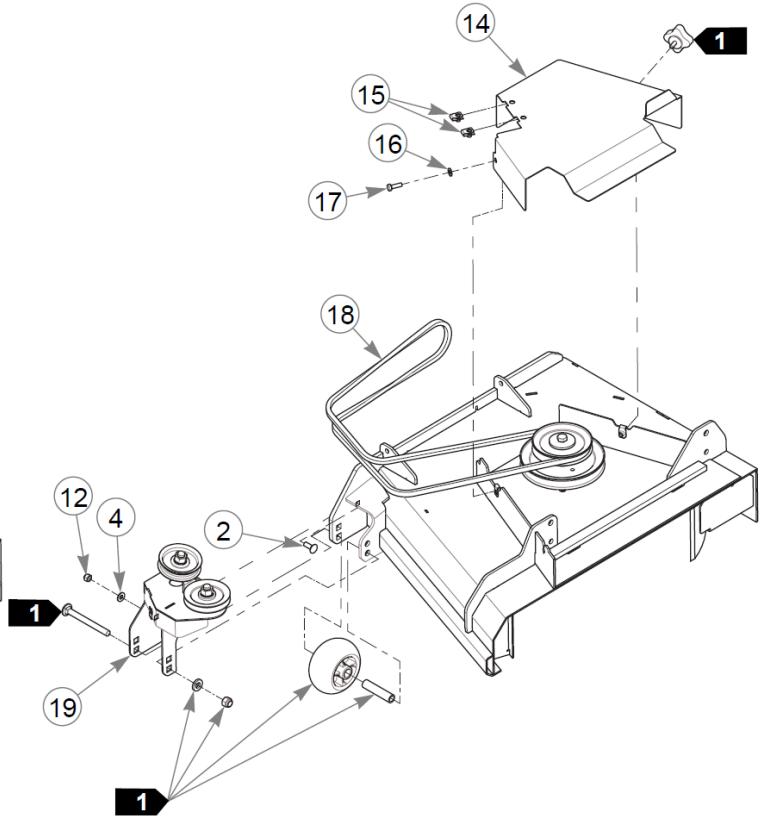
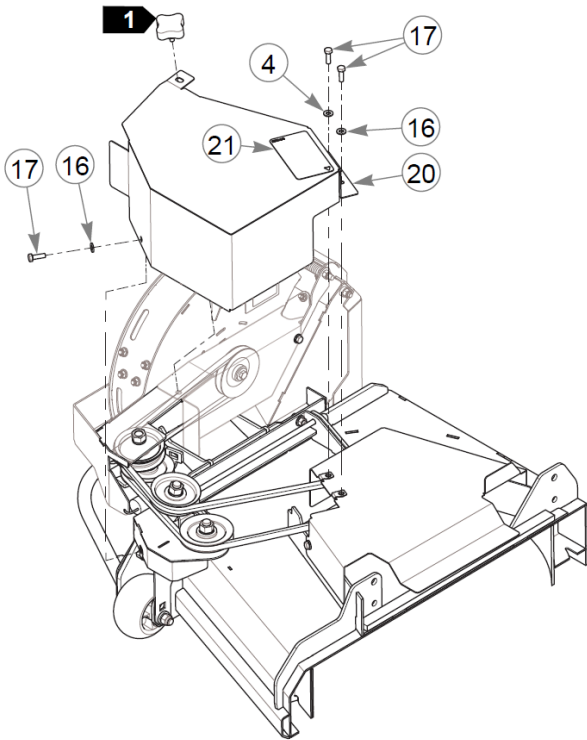
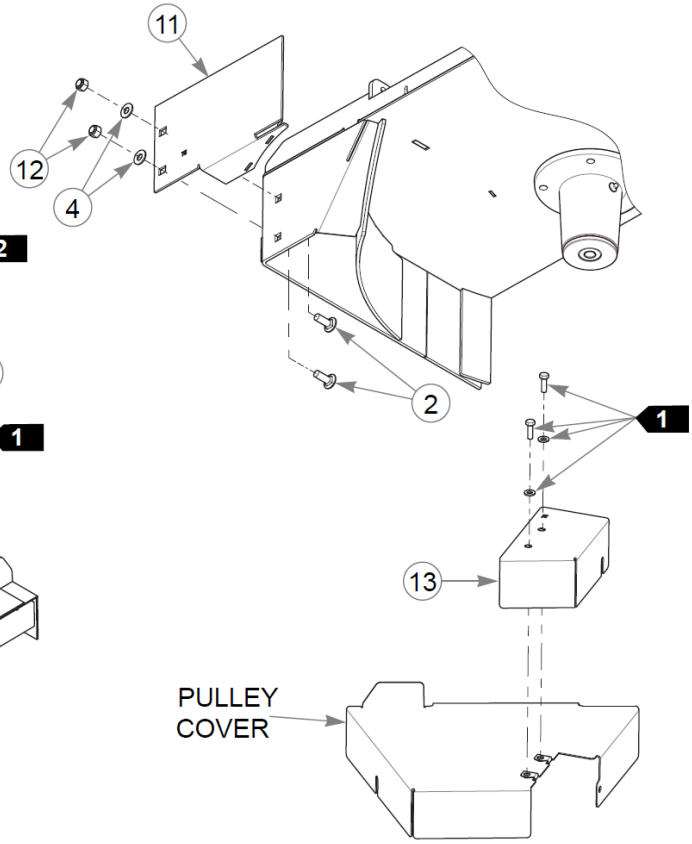
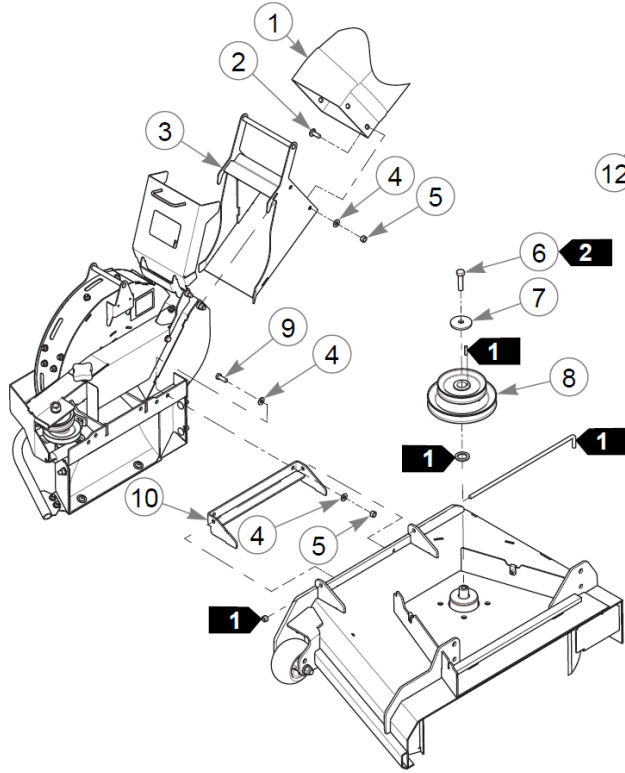


Item	Part No.	Qty	Name
1	603324	1	72 BLOWER OUTLET TUBE
2	025395	7	CB .375-16X 1.00 G5 ZN
3	114066	1	OUTLET ADAPTER
4	767954	20	FW 0.379X.82X.06 HD ZN
5	054502	6	NT .375-16HXG5
6	078949	1	CS .500-13X2.000 FUL HX
7	752386	1	CW .515X 2.25X .204 BLK
8	603311	1	60" DOUBLE DRIVE
9	123316	1	MOUNT W/A
10	036244	2	CS .375-16X1.00 HX G5 ZN
11	123331	1	60 BAFFLE W/A
12	086660	3	NT .375-16NLG8
13	123191	1	60" COVER
14	123466	1	DBL PULLEY COVER 60 DMP
15	601069	2	CN .312-18x.200 MAX THK
16	768523	4	FW 0.343SAE
17	036236	4	CS .312-18X1.000HXG5
18	606437	1	86" BELT A-SEC
19		1	REFER TO "PULLEY MOUNT BREAKDOWN - BIGDOG"
20	553820	1	60 PULLEY COVER F/A
21	604221	1	DECAL, DANGER / CHUTE
22	603113	2	CB .375-16X1.250 G5 ZN
23	124347-3	1	WEIGHT SPACER

Comments for Page: 123464—BigDog Diablo MP 60" Deck Adapter

1. Existing hardware.2. Torque to 65–75 ft–lbs.

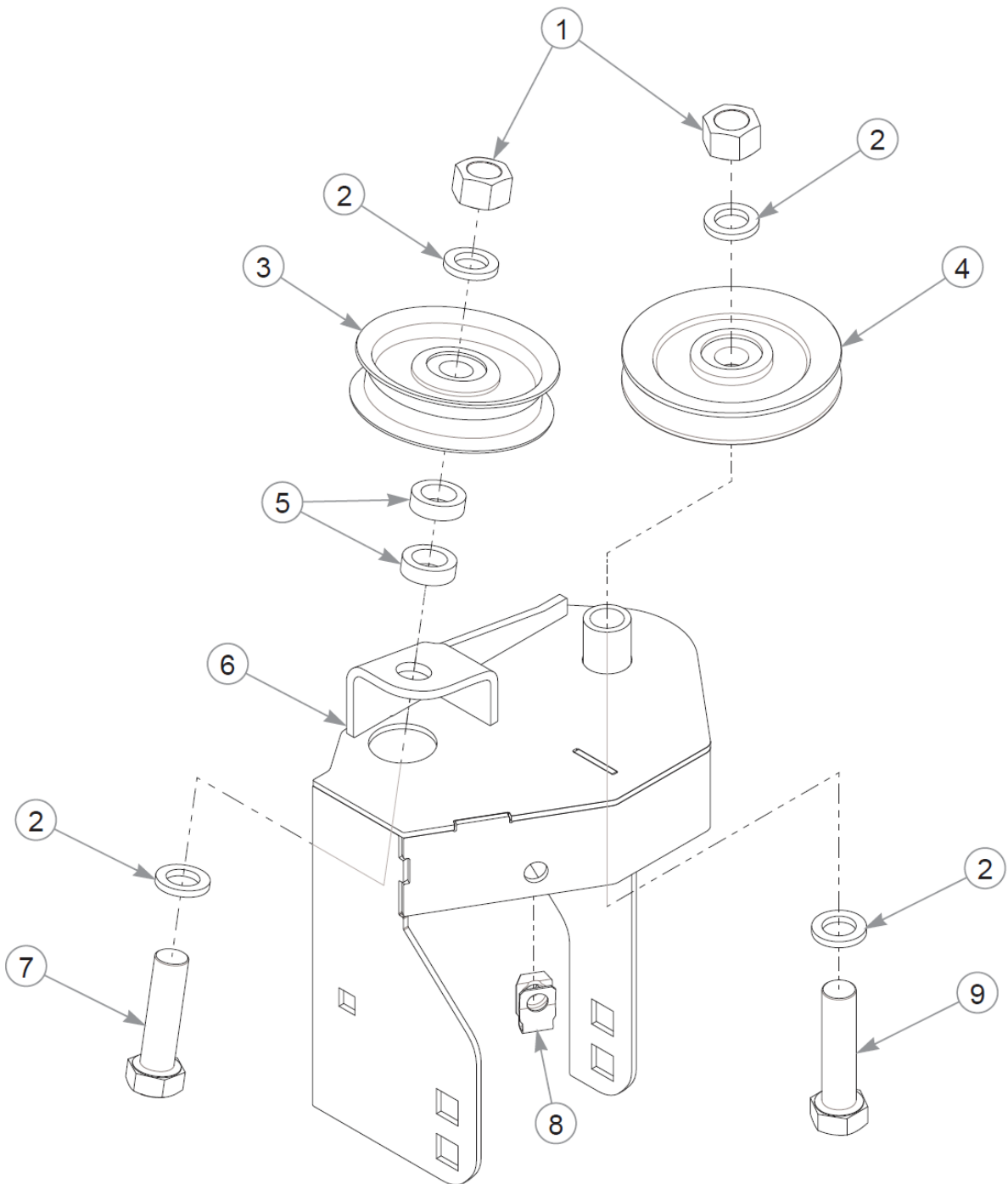




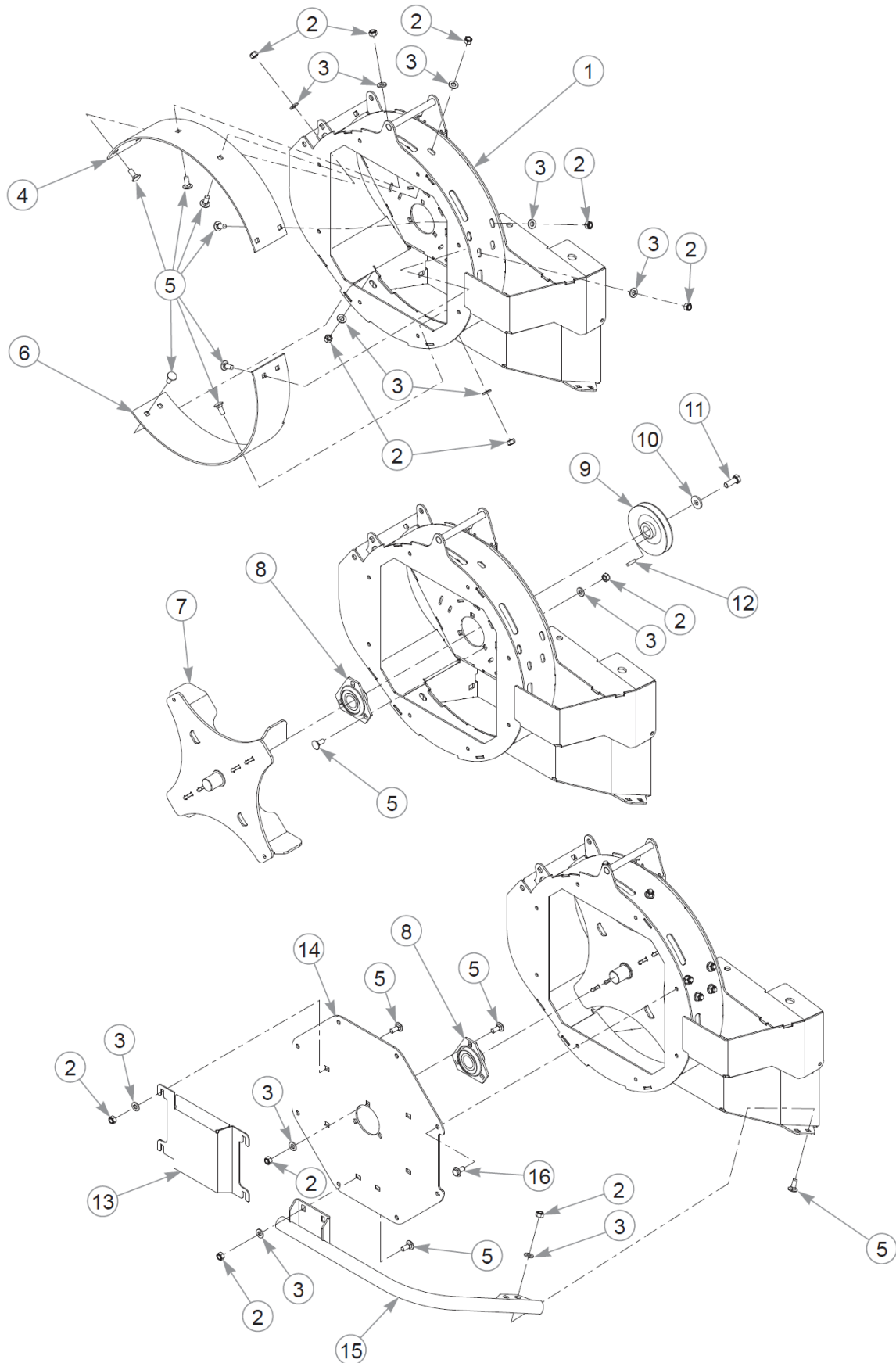
Item	Part No.	Qty	Name
1	603324	1	72 BLOWER OUTLET TUBE
2	025395	7	CB .375-16X 1.00 G5 ZN
3	114066	1	OUTLET ADAPTER
4	767954	20	FW 0.379X.82X.06 HD ZN
5	054502	6	NT .375-16HXG5
6	078949	1	CS .500-13X2.000 FUL HX
7	752386	1	CW .515X 2.25X .204 BLK
8	603311	1	60" DOUBLE DRIVE
9	036244	2	CS .375-16X1.00 HX G5 ZN
10	113118	1	SZ BLOWER MOUNT W/A
11	123334	1	72 BAFFLE W/A
12	086660	3	NT .375-16NLG8
13	123192	1	72" COVER
14	123467	1	DBL PULLEY COVER 72 DMP
15	601069	2	CN .312-18x.200 MAX THK
16	768523	4	FW 0.343SAE
17	036236	4	CS .312-18X1.000HXG5
18	606438	1	BELT 91.0 HA SECTION
19		1	REFER TO "PULLEY MOUNT BREAKDOWN - BIGDOG"
20	553856	1	SVC, 72 BELT COVER
21	604221	1	DECAL, DANGER / CHUTE

Comments for Page: 123465—BigDog Diablo MP 72" Deck Adapter

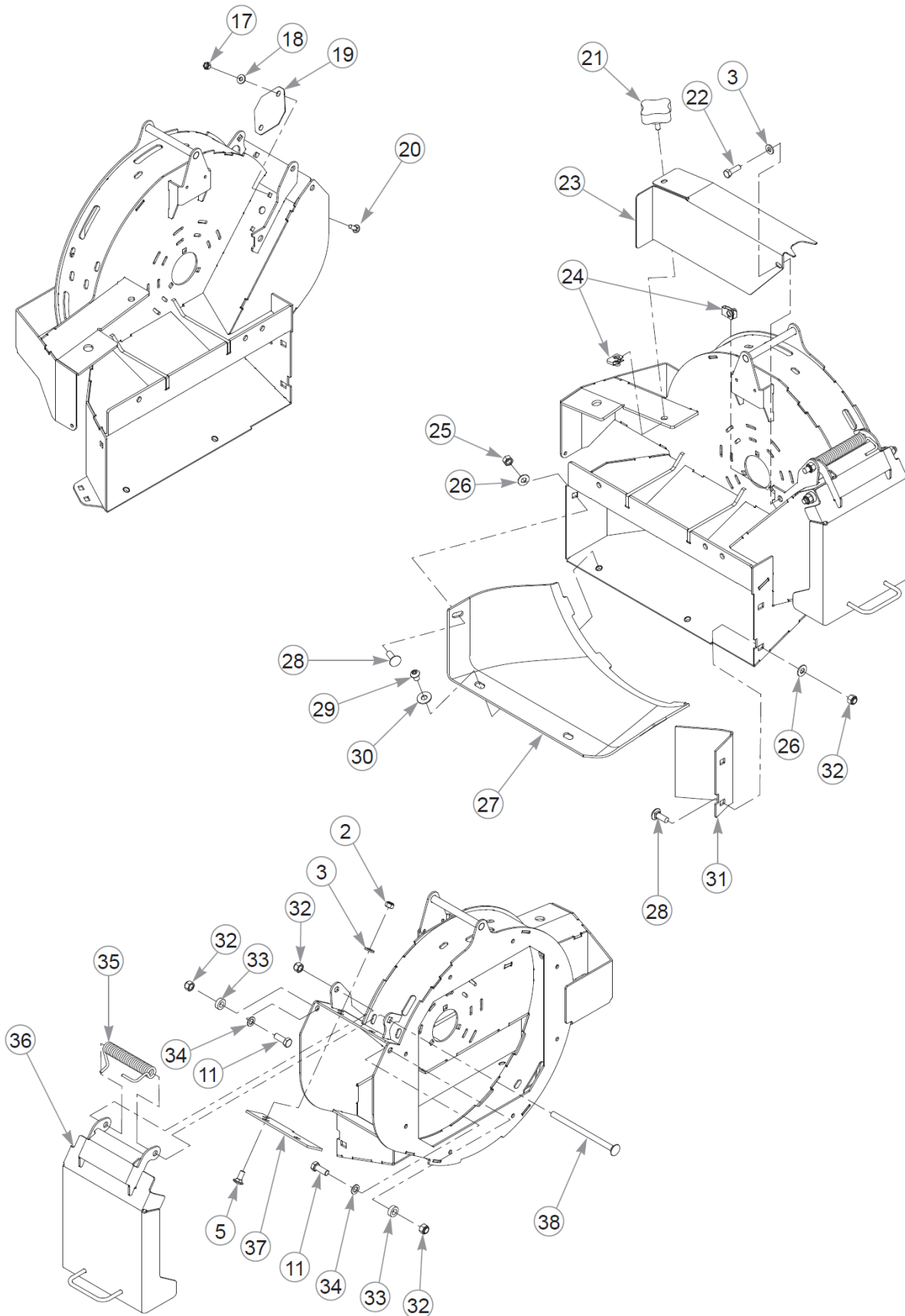
1. Existing hardware.2. Torque to 65–75 ft–lbs.



Item	Part No.	Qty	Name
1	016972	2	NT .625-11 HX G5 ZN
2	028118	4	FW 0.625X1.00X.13 ZN
3	791566	1	PULLEY IDLER 3.25"ODX.6
4	602913	1	V-IDLER PULLEY
5	600296	2	SPACER, DECK IDLER
6	122850	1	PULLEY MOUNT W/A
7	601983	1	CS .625-11 X 2.25 HXG5ZN
8	601069	1	CN .312-18x.200 MAX THK
9	025015	1	CS .625-11X2.500HXG5

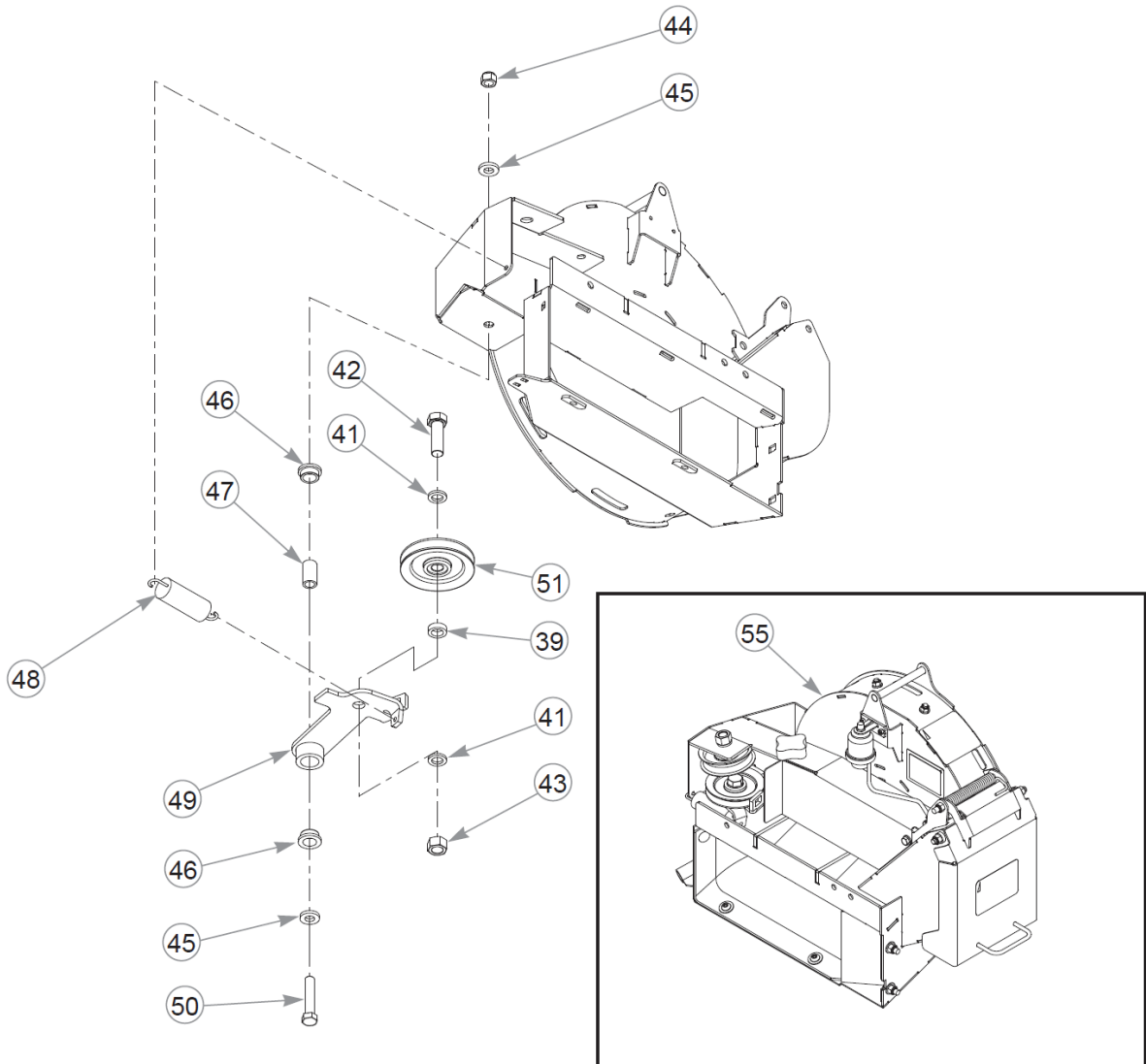
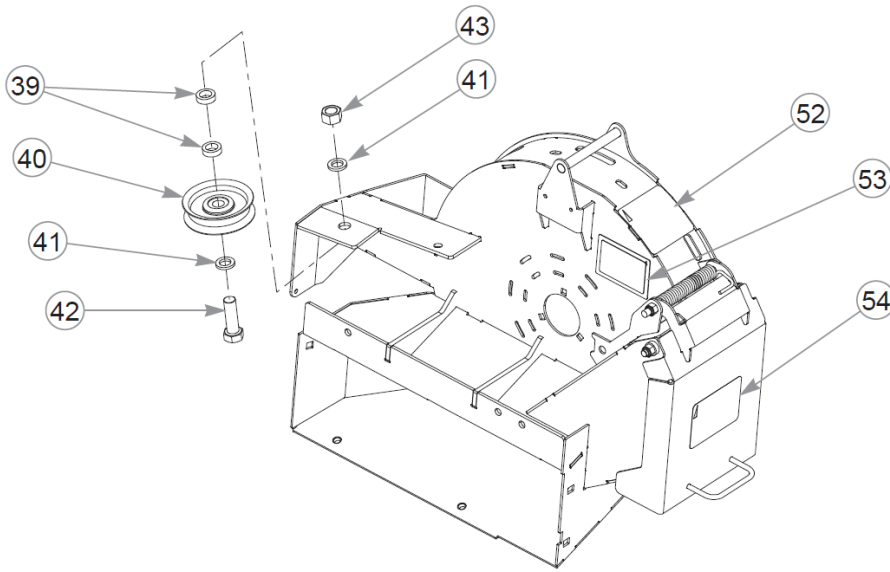


This page intentionally left blank



This page intentionally left blank





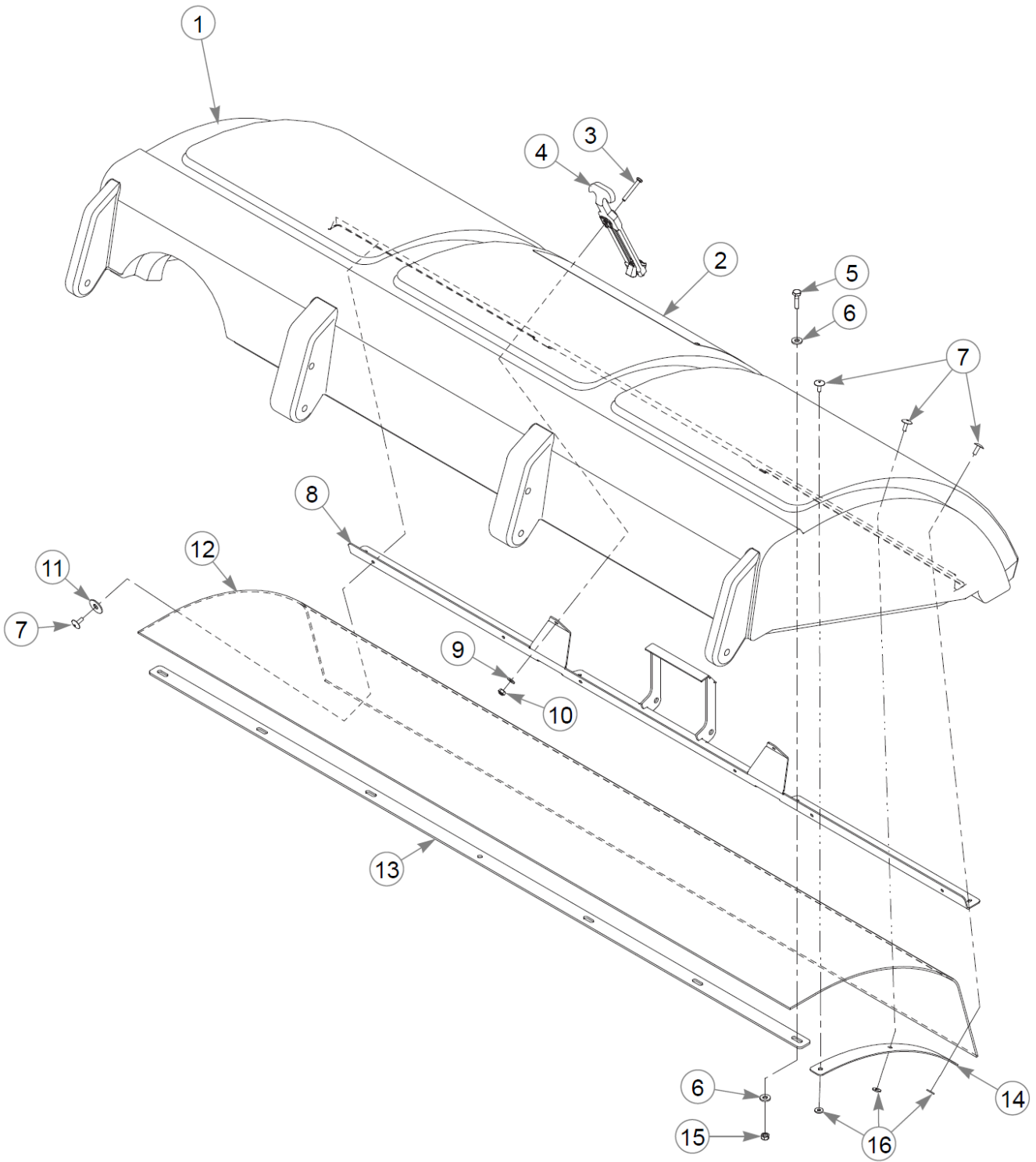
Item	Part No.	Qty	Name
1	N/A	1	BLOWER HOUSING (NOT SOLD SEPARATELY)
2	058776	27	NT .312-18NLG5
3	768523	28	FW 0.343SAE
4	119870	1	TOP WRAPPER INSERT
5	016253	27	CB .312-18X .750 FUL ZN
6	119871	1	BOTTOM WRAPPER INSERT
7	119510	1	IMPELLER W/A
8	604264	2	BEARING, 1.0" BORE FLANG
9	602912	1	PULLEY, DRIVEN
10	712919	1	FW 0.406X1.00X.12 HD ZN
11	036244	3	CS .375-16X1.00 HX G5 ZN
12	322529	1	KEY .187 SQ X .750 LONG
13	114337	1	BEARING COVER
14	119874	1	BLOWER COVER
15	119741	1	GUARD W/A
16	799130	8	CS .312-18X .625 HXFL
17	068551	2	NT .250-20 HXZY NL
18	768515	2	FW 0.281SAE
19	120615	1	COVER PLATE
20	794784	2	CB .250-20 X .75 FUL ZN
21	792002	1	KNOB,5/16-18 X 3/4"MALE
22	036236	1	CS .312-18X1.000HXG5
23	120266	1	DRIVEN PULLEY COVER
24	601069	2	CN .312-18x.200 MAX THK
25	054502	1	NT .375-16HXG5
26	767954	3	FW 0.379X.82X.06 HD ZN
27	603191	1	BLOWER CHUTE INLET
28	025395	3	CB .375-16X 1.00 G5 ZN
29	774919	2	CS .375-16x .500 SOC BH
30	076422	2	FW 0.406X1.00X.06 ZN
31	113128	1	BLOWER INLET BAFFLE
32	086660	5	NT .375-16NLG8
33	073858	2	FW .406X .750X.250 ZN
34	704718	2	FW .406X .688X.060 ZN
35	602435	1	SPRING, TORSION
36	550995	1	SVC PART, BLOWER LID

This page intentionally left blank

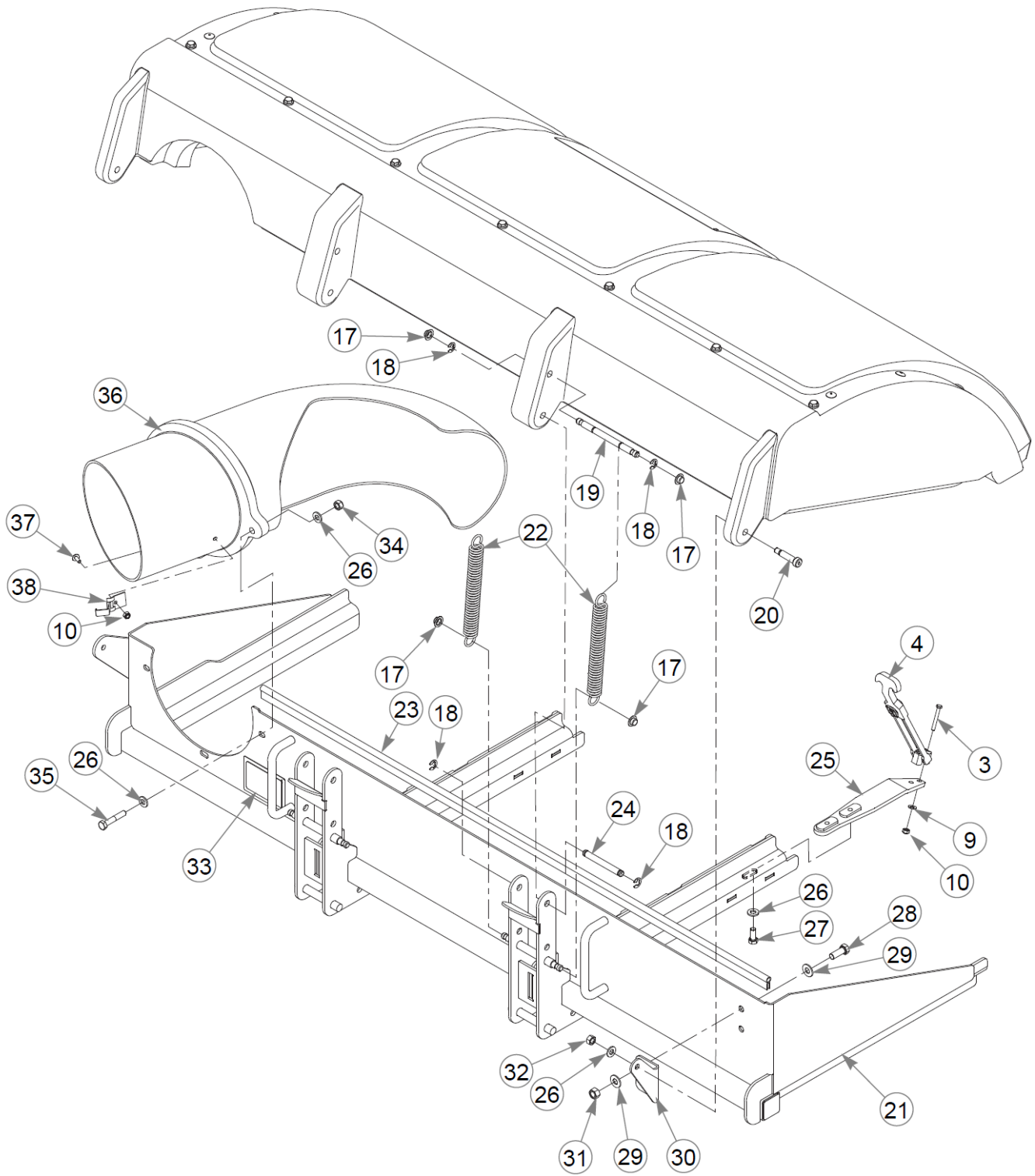
Item	Part No.	Qty	Name
37	119872	1	ABRASION GUARD
38	602674	1	CB .375-16X6.00 STD
39	600296	3	SPACER, DECK IDLER
40	791566	1	PULLEY IDLER 3.25"ODX.6
41	028118	4	FW 0.625X1.00X.13 ZN
42	016642	2	CS .625-11X2.000HXG5
43	016972	2	NT .625-11 HX G5 ZN
44	781567	1	NT .500-13NLG5
45	767962	2	FW .531 x 1.063 x .175
46	770867	2	BUSHING, PLAS .750x1(FS)
47	109549	1	BUSHING, IDLER PIVOT
48	036384	1	SPRING 1/4 COIL PL 1.23
49	113406	1	BLOWER IDLER ARM
50	008573	1	CS .500-13X2.500HXG5
51	602913	1	V-IDLER PULLEY
52	602757	1	DECAL, BLOWER DANGERS
53	N/A	1	SERIAL NUMBER / SPEC DECAL
54	602758	1	DECAL, EYES/EARS/FOOT
55	120332	1	VX4 BLOWER MODULE

Comments for Page: Blower (Multi-Page)

1. The blower lid includes decals.



This page intentionally left blank



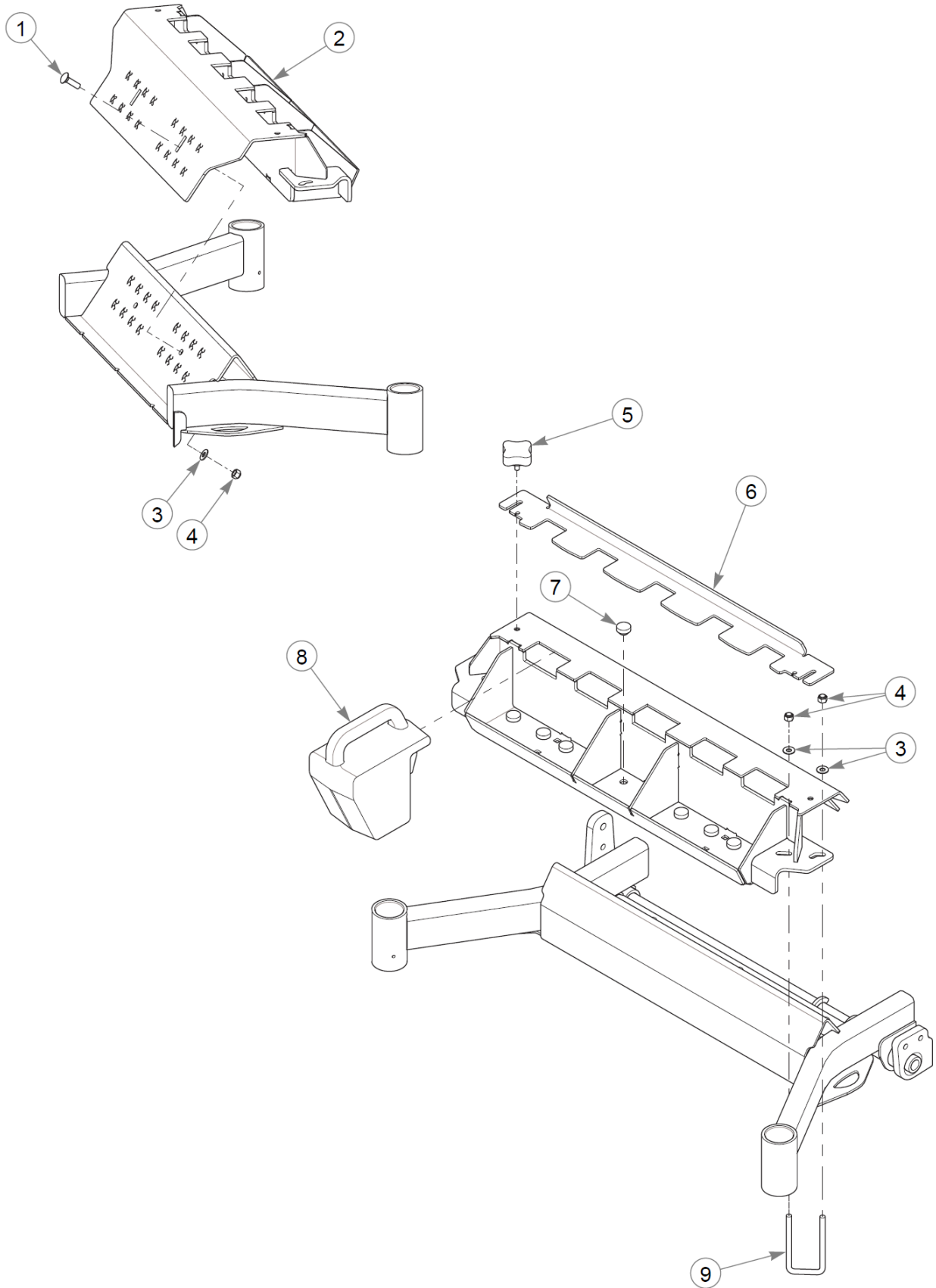
Item	Part No.	Qty	Name
1	603225	1	3 BAG CATCHER LID
2	603419	1	DECAL, LOGO
3	080291	6	CS 10-24X1.500 HX ZN
4	603675	2	FLEX DRAW LATCH
5	056077	7	CS .250-20X1.000HXG5
6	768515	14	FW 0.281SAE
7	603398	20	RIVET, BLIND
8	114399	1	LID INSERT W/A
9	704932	6	FW 0.219X.50X.05 ZN
10	059832	7	NT #10-24 HX NL ZN
11	079210	6	FW 0.344X1.0X0.06 ZN
12	603353	1	CATCHER SCREEN
13	115146	1	BACK RIB BRKT
14	115147	2	SIDE RIB BRKT
15	068551	7	NT .250-20 HXZY NL
16	603400	8	FW .188"X .50"X .060
17	603678	8	AXLE CAP NUT
18	603332	8	CLIP E .66 X .303 X .035
19	114249	2	SPRING LID PIN
20	603333	2	SB .375 X1.25 SH .312-18
21	113640	1	3 BAG CATCHER FRAME
22	603285	4	LID HINGE SPRING
23	603418	1	CATCHER LID SEAL
24	114248	2	LID HINGE PIN
25	120505	2	LATCH BRKT W/A
26	768523	12	FW 0.343SAE
27	034280	4	CS .312-18X0.750HXG5
28	036244	2	CS .375-16X1.00 HX G5 ZN
29	767954	4	FW 0.379X.82X.06 HD ZN
30	114118	1	LID ADJUST BRKT
31	054502	2	NT .375-16HXG5
32	034272	2	NT .312-18HXG5
33	N/A	1	SERIAL NUMBER / SPEC DECAL
34	058776	3	NT .312-18NLG5
35	050161	3	CS .312-18X1.750HXG5
36	603214	1	CATCHER INLET TUBE



This page intentionally left blank

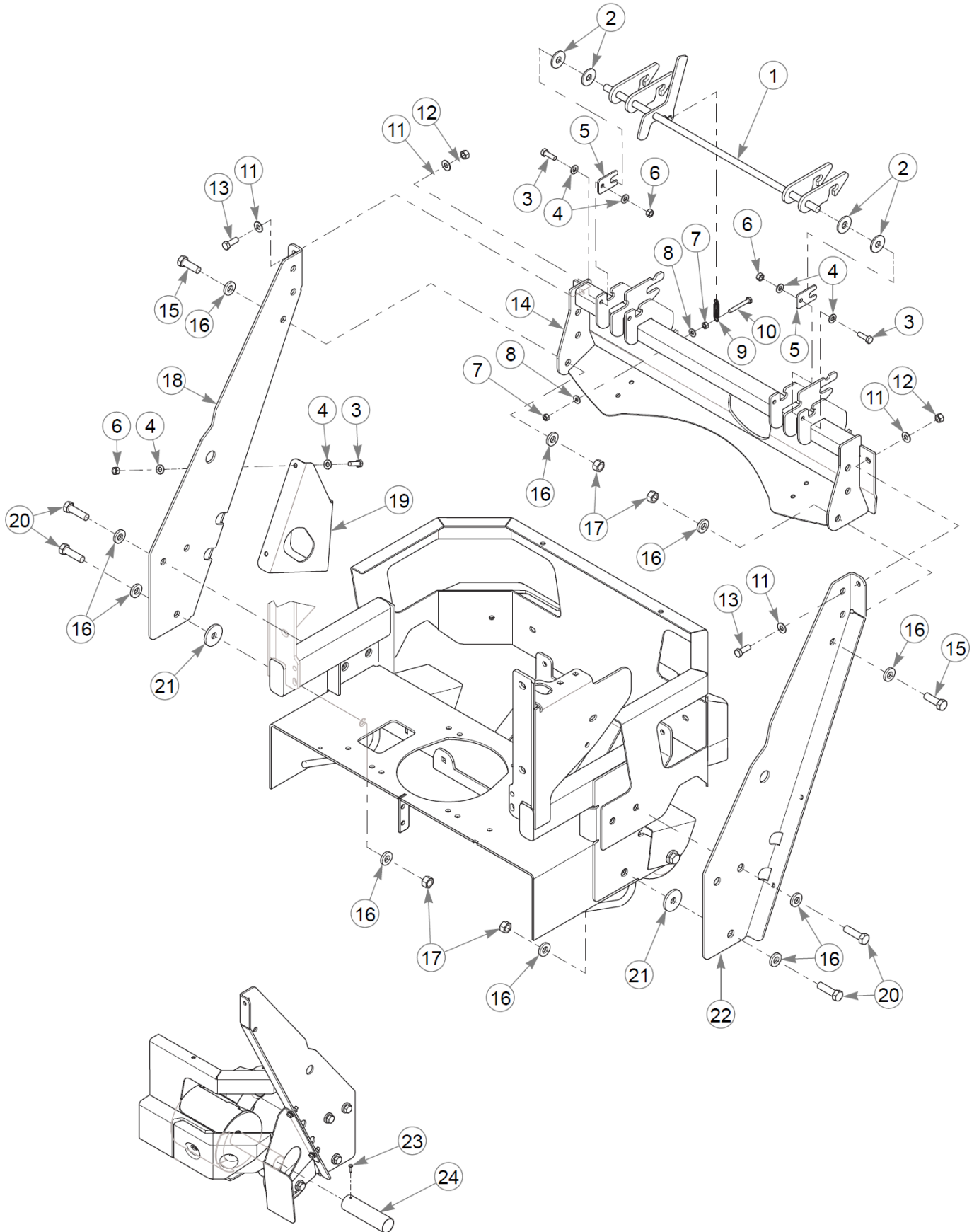
Item	Part No.	Qty	Name
37	060723	1	MS #10-24 X .500 TH SL
38	602830	1	SNAP FASTNER

Catcher Weight Mount

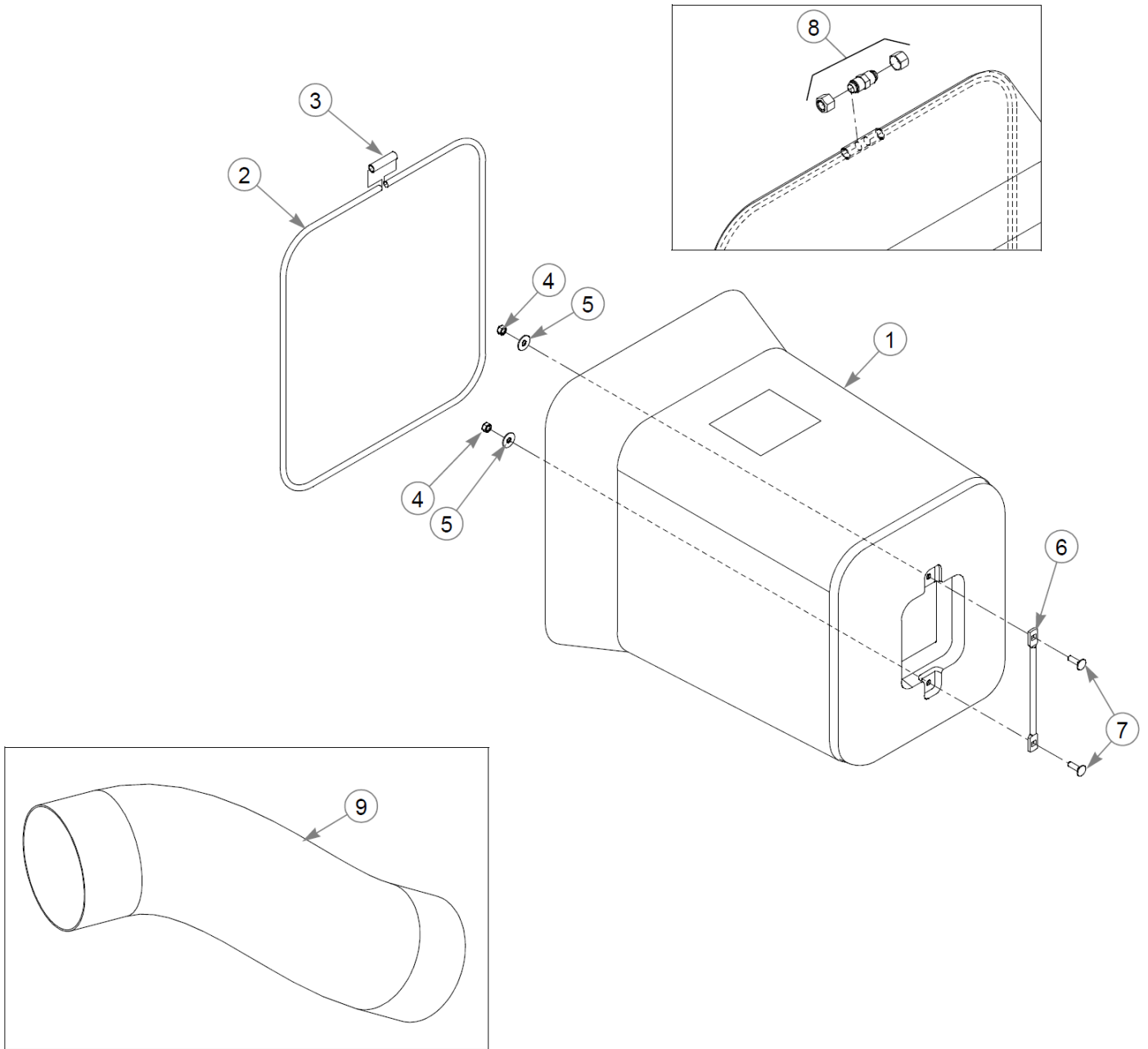


## Catcher Weight Mount

Item	Part No.	Qty	Name
1	603113	2	CB .375-16X1.250 G5 ZN
2	122480	1	WEIGHT MOUNT W/A
3	767954	6	FW 0.379X.82X.06 HD ZN
4	086660	6	NT .375-16NLG8
5	792002	2	KNOB,5/16-18 X 3/4"MALE
6	118125	1	PLATE, WEIGHT LOCK 5
7	781880	10	BUMPER, .500x 1.00x .31
8	603207	5	WEIGHT, 3 BAG CATCHER
9	604423	2	UB.375-16 x 2.00 x 4.50



Item	Part No.	Qty	Name
1	113965	1	LATCH W/A
2	712976	4	FW 0.531X1.38X.12 ZN
3	036236	6	CS .312-18X1.000HXG5
4	768523	12	FW 0.343SAE
5	113969	2	KEEPER, LATCH
6	034272	6	NT .312-18HXG5
7	024927	2	NT .250-20HXG5
8	768515	2	FW 0.281SAE
9	603358	1	LID LATCH SPRING
10	704163	1	CS .250-20X2.000HXG5
11	767954	4	FW 0.379X.82X.06 HD ZN
12	054502	2	NT .375-16HXG5
13	036244	2	CS .375-16X1.00 HX G5 ZN
14	113773	1	SZ PIVOT MOUNT
15	074252	6	CS .500-13X1.50 HX G5 ZN
16	767962	20	FW .531 x 1.063 x .175
17	008193	8	NT .500-13HXG5
18	124337-3	1	RH 3B MOUNT
19	118608	1	RH BAG GUARD
20	017616	6	CS .500-13X1.750HXG5
21	078386	2	FW 0.510X1.75X.18 ZN
22	124338-3	1	LH 3B MOUNT
23	769299	1	SC #10-24x0.750BH
24	604576	1	MUFFLER EXT. 1.5"
25	604577	1	MUFFLER EXT 1.375"



Item	Part No.	Qty	Name
1	603127	3	CATCHER BAG F/A
2	603119	1	CATCHER BAG ROD
3	603120	1	ROD JOINING TUBE
4	058776	2	NT .312-18NLG5
5	079210	2	FW 0.344X1.0X0.06 ZN
6	125237	1	CATCHER BAG HANDLE
7	037887	2	CB .312-18X 1.000 FUL ZN
8	603677	1	COMPRESSION COUPLING
9	603356	1	8" CLEAR FLEX TUBE SZ

Comments for Page: Catcher Bag & Flex Tube

1. The catcher bag assembly includes items 2-8.