

Excel 3-Bag Catcher Operator's Manual

EXCEL
INDUSTRIES

200 South Ridge Road • Hesston, Kansas • 67062

Table of Contents

General Information	1-1
To the New Owner	1-1
Using this Manual	1-1
Warranty Registration	1-1
Parts and Service	1-1
Safety Precautions	2-1
Safe Operation and Service Precautions	2-1
Safety and Instruction Decals	2-2
Assembly Instructions	3-1
Packing List	3-1
Deck Adapter Kits	3-1
Mower Deck Preparation – BigDog® Decks	3-2
Mower Deck Preparation – Hustler® Decks	3-8
Mower Preparation (All Models)	3-17
Catcher Hood Assembly	3-18
Final Connection	3-20
Weight Assembly	3-22
Operation	4-1
Collecting and Vacuum Pickup	4-1
Left Side Blower (Leaf) Baffles	4-1
Unloading the Catcher	4-2
Converting to Side Discharge Mode	4-3
Removing the Lid Assembly	4-8
Maintenance & Storage	5-1
Blower Housing and Flex Tube Maintenance	5-1
Blower Drive Belt	5-1
Blower Impeller	5-2
Storage	5-2
3-Bag Catcher Warranty Policy	6-1
Parts List	7-1

GENERAL INFORMATION

To the New Owner

The purpose of this manual is to assist owners and operators in maintaining and operating the Excel Industries 3-Bag Catcher. Please read it carefully; information and instructions furnished can help you achieve years of dependable performance.

Using this Manual

This manual contains general operation information as well as basic adjustment and maintenance information. Since operating conditions vary considerably, all conditions cannot be addressed individually. Through training and experience, operators should develop safe operating practices suitable to most conditions.

Directions used in this manual, for example RIGHT or LEFT, refer to directions when in the operator position and facing forward, unless otherwise stated.

Though current at the time of printing, photographs and illustrations shown may vary slightly from your mower due to subsequent production changes. Excel Industries, Inc. reserves the right to redesign and change the machine as deemed necessary, without notification. If a change has been made to your machine which is not reflected in this manual, contact your Excel Dealer for current information.

Warranty Registration

Your Dealer must register this attachment on-line within **ten (10) days** following date of purchase to validate your warranty protection. As the new equipment owner, you should

confirm that your Dealer has registered your attachment with Excel Industries, Inc., manufacturer of Hustler® Turf Equipment, Inc. and BigDog® mowers (“Manufacturer”).

IMPORTANT: The mower and any attachment that displays a model and serial identification number plate **must** be registered with Excel Industries, Inc., manufacturer of Hustler® Turf Equipment, Inc. and BigDog® mowers (“Manufacturer”). Failure to register the attachment can void the warranty.

Any unauthorized modification, alteration, or use of non-approved attachments voids the warranty and releases Manufacturer and Hustler® Turf Equipment, Inc. or BigDog® Mower Company from any liability arising from subsequent use of this equipment. Do not use or operate any attachment not approved by Hustler® Turf Equipment, Inc. or BigDog® Mower Company.

Parts and Service

Use original Excel replacement, or parts that are equivalent in overall performance, that are available from your local Excel Dealer. For prompt, efficient service, always provide the following information when ordering parts:

1. Correct part description.
2. Correct part number.
3. Correct model number.
4. Correct serial number.

All arrangements for warranty repair and service must be handled through an authorized Excel Dealer.

SAFETY PRECAUTIONS



This safety alert symbol is used to call attention to a message intended to provide a reasonable degree of **PERSONAL SAFETY** for operators and other persons during the normal operation and servicing of this equipment.

▲ DANGER ▲	<p>– denotes immediate hazards which WILL result in severe personal injury or death.</p>
---------------------------------------	---

▲ WARNING ▲	<p>– denotes a hazard or unsafe practice which COULD result in severe personal injury or death.</p>
--	--

This manual uses two other words to highlight information. **IMPORTANT** calls attention to special mechanical information and **NOTE** emphasizes general information worthy of special attention.

All operators and mechanics should read this manual, and be instructed about safe operating and maintenance procedures.

Improper use or maintenance by the operator or owner can result in injury. To reduce the potential for injury, comply with these safety instructions and always pay attention to the safety alert symbol “▲”, which means DANGER or WARNING - “personal safety instructions.” Failure to comply with the instructions may result in personal injury or death.

Incorrect usage of this attachment may result in severe injury. Personnel operating and maintaining it should be trained in the proper use and should read the manuals completely and thoroughly before attempting to set-up, operate, adjust, or service this mower.

Safe Operation and Service Precautions

- ▲ Evaluate the terrain to determine what accessories and attachments are needed to properly and safely perform the job. Only use accessories and attachments approved by the manufacturer.

- ▲ Never use the catcher with Flex Forks® installed on the mower.
- ▲ Before proceeding:
 - Park the mower on level ground.
 - Disengage the deck clutch.
 - Place the steering control levers in the park brake position.
 - Stop the engine.
 - Remove the ignition key.
 - Wait for the engine and all moving parts to come to a complete stop.
- ▲ Disconnect the negative battery cable.
- ▲ Always be aware of any obstructions, especially small children, when backing or unloading the bags.
- ▲ Always keep safety shields and covers in place, except for servicing.
- ▲ Never work on the blower assembly or the mower deck when the mower’s engine is running.
- ▲ Never operate machine with bagger lid in the raised position except for unloading.
- ▲ Never attempt high speed maneuvering in crowded or congested areas.
- ▲ Always operate with complete catcher system, mulching system or side discharge chute in place and in the lowest position.
- ▲ Always keep clear of the mower blades and attachments during their operation.
- ▲ Turn off the blades when not mowing.
- ▲ Stop the engine before removing the grass catcher or unclogging the discharge chute. Never clear the discharge chute with the engine running. Turn off the engine and be sure the blades have stopped before cleaning. Use a stick to clear a plugged discharge area. **Never use your hand!**
- ▲ **Clean flammable material from the machine. Prevent fires by keeping the engine compartment, exhaust area, battery, fuel line, fuel tank and operator’s station clean of accumulated trash, grass clippings, and other debris. Always clean up spilled fuel and oil.**
- ▲ Grass collection system components are subject to wear, damage and deterioration, which could expose moving parts or allow objects to be thrown. Frequently check components and replace with manufacturer’s recommended parts when necessary.
- ▲ Never direct discharged material toward anyone. Avoid discharging material against a wall or obstruction. Material may ricochet back toward the operator. Always disengage the blades and wait for them to stop before crossing gravel drives, walks or roads.

Safety and Instruction Decals

The decals are designed to give the operator brief information needed in the daily operation and service of the mower. These decals are not intended to be used in place of this manual but instead are to be used as an extension of this manual. These decals should not be removed or obliterated. Replace these decals if they become unreadable.

- It is the **owner's responsibility** to make certain that the operators and mechanics read and understand this manual and all decals before operating this mower.
- It is also the **owner's responsibility** to make certain that the operators and mechanics are qualified and physically able individuals, properly trained in the operation of this equipment.
- All operators and mechanics must become familiar with the safe operation of the equipment, operator controls and decals.
- Never let children or untrained people operate or service the equipment. Local regulations may restrict the age of the operator.
- The owner/user can prevent and is responsible for accidents or injuries occurring to themselves, other people or property.
- The owner should also ensure that the operators/mechanics know that they are responsible for their own safety as well as the safety of other persons within the vicinity. **Remember**, the operator is responsible for accidents or hazards occurring to other people or their property.

WARNING 

Specific safety warning decals are located on the equipment near the immediate areas of potential hazards. These decals should not be removed or obliterated. Replace them if they become non-readable.

Refer to the mower's operator's manual for illustrations showing the various safety decals that are located on the mower. A brief explanation, for those requiring one, is shown to help the operator understand the meanings of these decals.



WARNING:
Thrown objects!

Part Number 601624

- Never operate the mower deck with side deflector damaged, altered, removed or in raised position, except when the entire grass catcher attachment or mulching system is being used.



Part Number 601837

DANGER:
Rotating blades, pulleys & belts

- Keep shields and covers in place while machine is in operation
- Keep hands, feet and clothing away from rotating pulleys and belts.



Part Number 602758

- Read the Operator's Manual before attempting to operate this machine.
- Wear ear protection, eye protection and safety shoes when operating this equipment.



Part Number 602757

DANGER: Rotating impeller

- Keep hands, feet and clothing away.
- Keep shields or covers in place while the machine is in operation.
- Stop the engine, remove the ignition key.
- Engage the park brake.
- Use a probe to clear debris from the blower assembly. Remove blower chute to clear debris from chute.
- Never engage the mower deck unless the entire grass catcher attachment is properly installed.

ASSEMBLY INSTRUCTIONS

These instructions apply to the assembly of the Excel 937912 3-Bag Catcher to an Excel mower.

It is intended that these units be installed by trained Excel service personnel. If additional assistance is required, contact the Excel Customer Service Department.

Directions given in these instructions, for example LEFT and RIGHT, refer to direction while seated on the mower.

Before proceeding, read through the following instructions to familiarize yourself with them, while at the same time identify and inventory kit parts supplied.

Unpack and inspect all parts. Notify the carrier of any shipping damages immediately.

Packing List

Part No.	Description	Qty
N/A	CATCHER FRAME	1
N/A	WEIGHT MOUNT	1
N/A	CATCHER BAG	3
N/A	FRAME MOUNT	1
120332	BLOWER	1
124337-3	RH CATCHER MOUNT	1
124338-3	LH CATCHER MOUNT	1
118608	RH BAG GUARD	1
604577	MUFFLER EXT 1.375"	1
604576	MUFFLER EXT 1.5"	1
074252	CS .500-13 X 1.50 HX G5	6
036236	CS 0.312-18 X 1.00 HX G5	2
036244	CS 0.375-16 X 1.00 HX G5	2
017616	CS 0.500-13 X 1.75 HX G5	6
768523	FW 0.343 SAE	10
767954	FW 0.406 SAE	10
078386	FW 0.510 X 1.75 X 0.18	2
767962	FW 0.531 SAE	20
034272	NT 0.312-18 HX G5	2
054502	NT 0.375-16 HX G5	2
086660	NT 0.375-16 NL G5	6
008193	NT 0.500-13 HX G5	8
769299	SC #10-24 X 0.75 BH	1
604223	UB .375-16 X 2.50 X 4.00 SQ	2
050161	CS 0.312-18 X 1.750 HX G5	3
058776	NT 0.312-18 NL	3
603356	FLEX TUBE	1
603113	CB .375-16 X 1.250	2
N/A	INLET TUBE	1

Deck Adapter Kits

The following adapter kits must be used when mounting the BAC-VAC™ to a particular deck.

Deck Size	Adapter Kit P/N
Big Dog® Diablo MP 60" Deck	123464
Big Dog® Diablo MP 72" Deck	123465
Hustler® 54" Deck	123778
Hustler® 60" Deck	123779
Hustler® 66" Deck	123780
Hustler® 72" Deck	123781

Mower Deck Preparation – BigDog® Decks

123464 Adapter Assembly (BigDog® Diablo® MP 60")

PART NO.	DESCRIPTION	QTY.
123466	60" TALL COVER	1
123191	60" COVER	1
123316	BLOWER MOUNT	1
123331	60" BLOWER BAFFLE	1
N/A	OUTLET TUBE	1
N/A	PULLEY ASSY	1
N/A	60" BELT COVER	1
603311	DOUBLE DRIVE	1
606437	DRIVE BELT	1
124347-3	WEIGHT MOUNT SPACER	1
025395	CB .375-16 X 1.000 G5	3
036236	CS .312-18 X 1.000 HX G5	4
036244	CS .375-16 X 1.000 HX G5	2
054502	NT .375-16 HX G5	2
078949	CS .500-13 X 2.00 FUL HX	1
086660	NT .375-16 NL G5	3
601069	CN .312-18 X .200	2
752386	CW .550 X 2.250 X .204	1
767954	FW .406 SAE	7
768523	FW .343 SAE	4

1. Before proceeding:

- Park the mower on level ground.
- Disengage the deck clutch.
- Place the steering control levers in the park brake position.
- Stop the engine.
- Remove the ignition key.
- Wait for the engine and all moving parts to come to a complete stop.
- Disconnect the negative battery cable.

2. Remove the discharge chute and torsion spring.

NOTE: Retain these parts as they will be re-installed when the Catcher is removed.

3. Release the deck drive belt tension.

4. Remove the existing spindle bolt and pulley from the right side blade spindle.

Replace the pulley with the double pulley and place the new cup washer between the head of the new bolt and the drive pulley. Thread the cup washer and bolt assembly into the spindle shaft. Torque the bolt to 65–75 ft.-lbs (88–101N•m). Figure 3-1

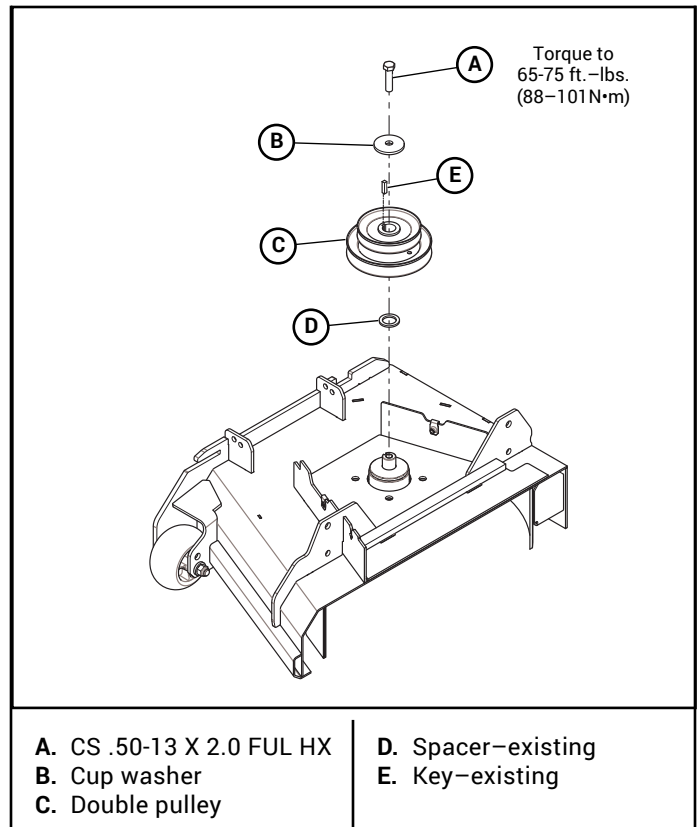


Figure 3-1

5. Attach the blower baffle to the deck. Figure 3-2

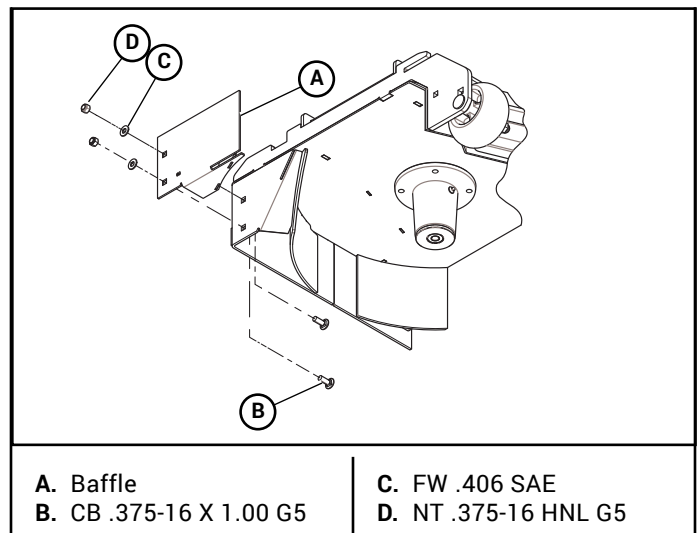


Figure 3-2

6. Remove the right front anti-scalp wheel from the deck.
7. Attach the double pulley mount assembly to the deck using the hardware shown. Figure 3-3
8. Re-attach the anti-scalp wheel to the deck using the existing hardware. Figure 3-3
9. Assemble the blower mount to the blower assembly. Figure 3-4
10. Attach the blower assembly to the deck by inserting the rod through the discharge chute bracket and the blower mount and secure with a nut. Figure 3-4

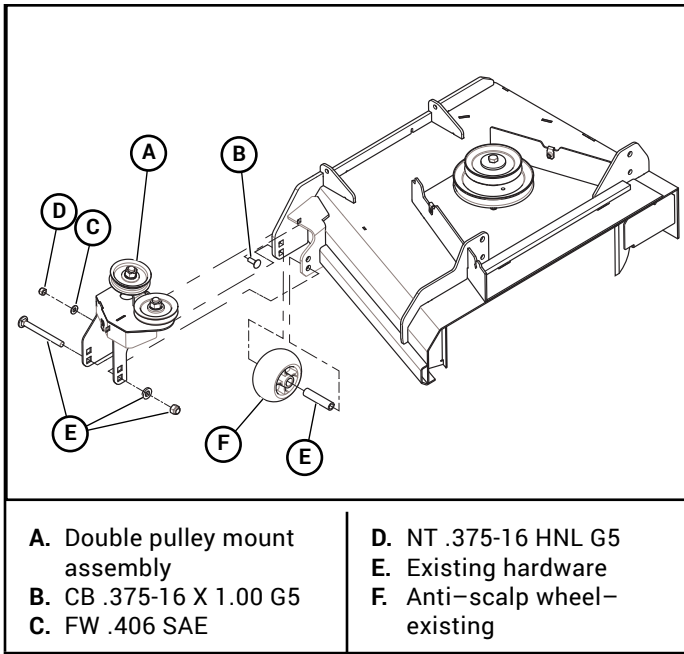


Figure 3-3

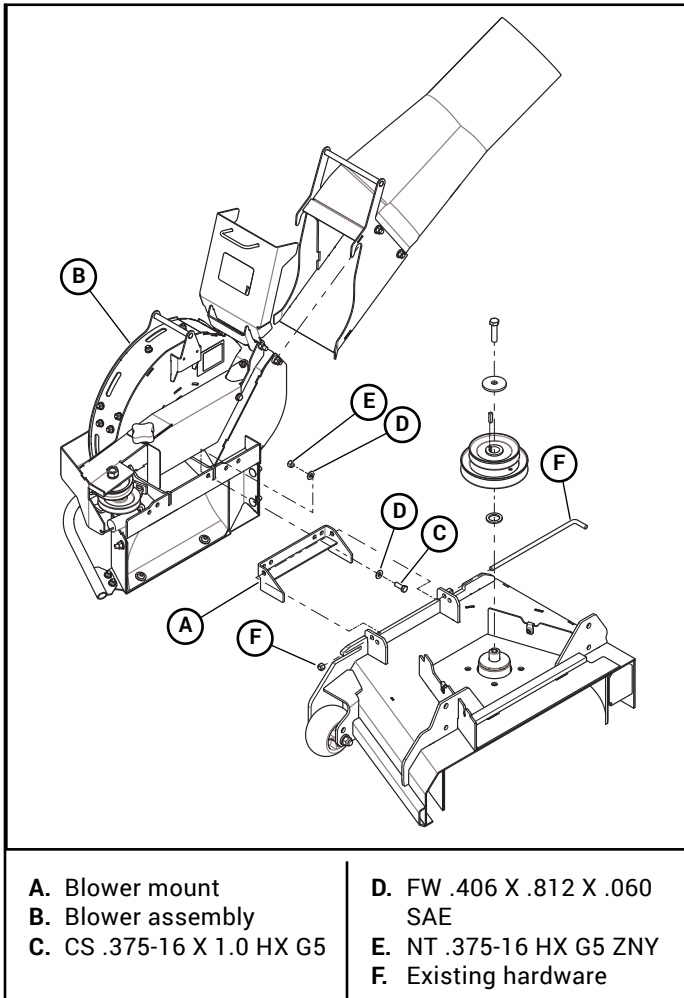


Figure 3-4

11. Place the deck drive belt around the lower pulley of the double pulley. Confirm that the belt is properly routed and seated on all pulleys and idlers. Re-tension the

deck drive belt using the spring anchor bracket. Tension the belt per the tensioning instructions found in the mower's *General Service Manual*.

12. Install and route the blower belt around the blower pulleys and the upper pulley on the double pulley. This belt is self-tensioning. Figure 3-5

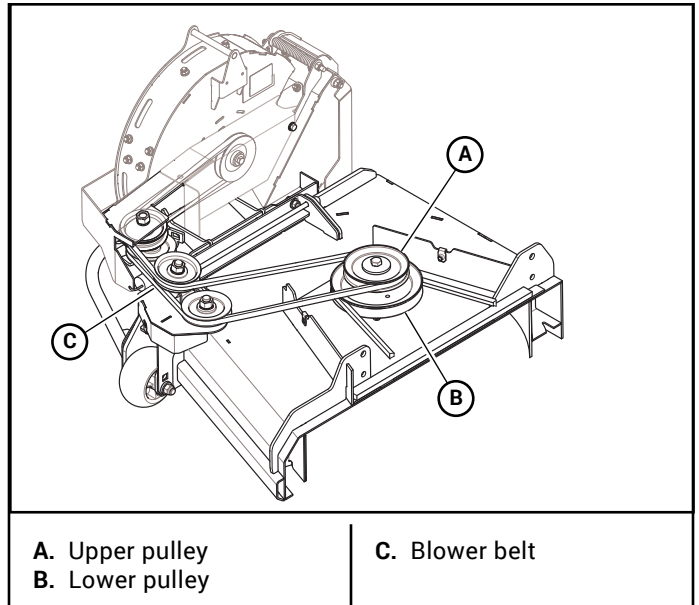


Figure 3-5

13. Attach the clip nuts to the deck belt cover. Figure 3-6
 14. Attach the deck belt cover and the blower belt cover. Figure 3-6 & Figure 3-7

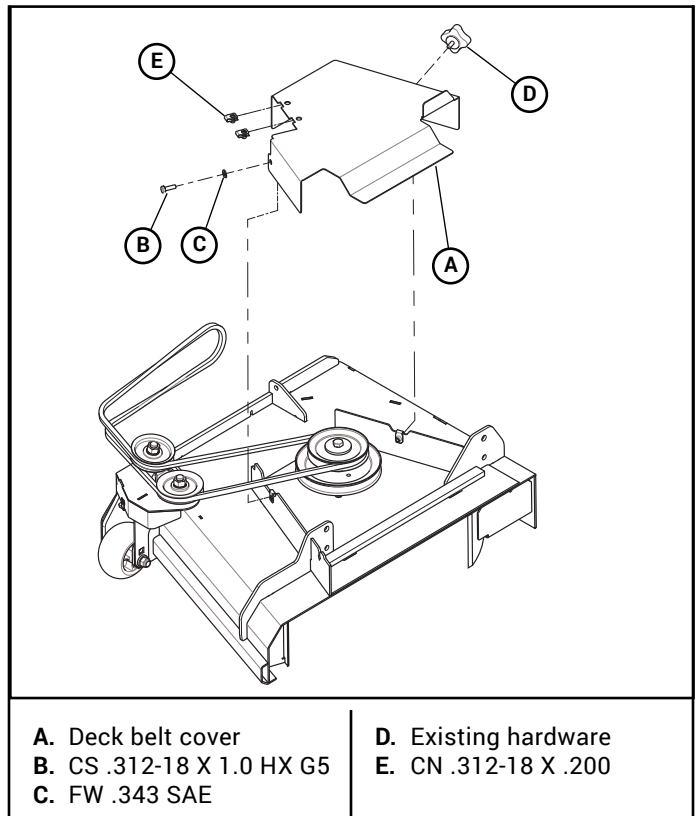
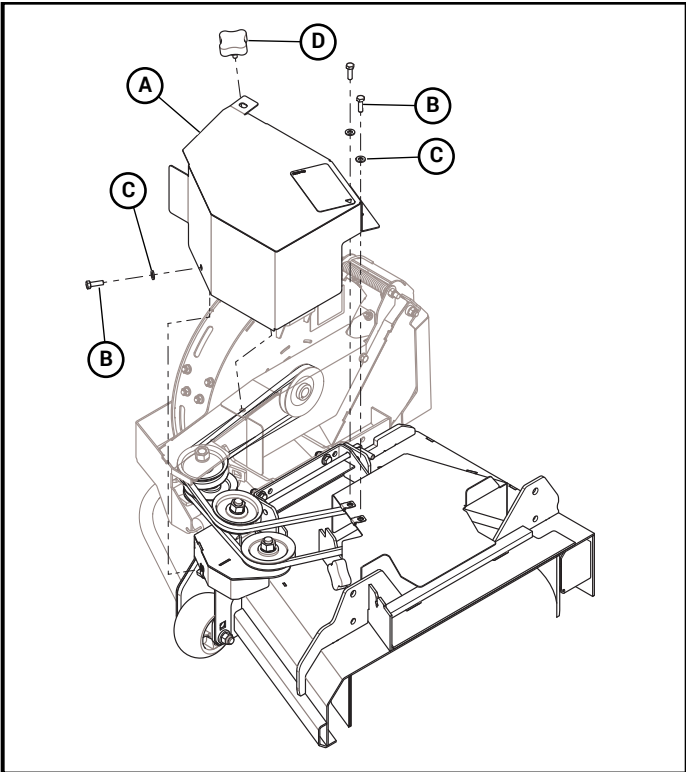


Figure 3-6



- | | |
|---------------------------|----------------------|
| A. Blower belt cover | C. FW .343 SAE |
| B. CS .312-18 X 1.0 HX G5 | D. Existing hardware |

Figure 3-7

WARNING 

Do not operate the deck without the discharge chute or complete catcher system in place.

123465 Adapter Assembly (BigDog® Diablo® MP 72")

PART NO.	DESCRIPTION	QTY.
123467	72" TALL COVER	1
123192	72" COVER	1
113118	BLOWER MOUNT	1
123334	72" BLOWER BAFFLE	1
N/A	OUTLET TUBE	1
N/A	PULLEY ASSY	1
N/A	72" BELT COVER	1
603712	DOUBLE DRIVE	1
606438	DRIVE BELT	1
124347-3	WEIGHT MOUNT SPACER	1
025395	CB .375-16 X 1.000 G5	3
036236	CS .312-18 X 1.000 HX G5	4
036244	CS .375-16 X 1.000 HX G5	2
054502	NT .375-16 HX G5	2
078949	CS .500-13 X 2.00 FUL HX	1
086660	NT .375-16 NL G5	3
601069	CN .312-18 X .200	2
752386	CW .550 X 2.250 X .204	1
767954	FW .406 SAE	7
768523	FW .343 SAE	4

1. Before proceeding:

- Park the mower on level ground.
- Disengage the deck clutch.
- Place the steering control levers in the park brake position.
- Stop the engine.
- Remove the ignition key.
- Wait for the engine and all moving parts to come to a complete stop.
- Disconnect the negative battery cable.

2. Remove the discharge chute and torsion spring.

NOTE: Retain these parts as they will be re-installed when the Catcher is removed.

3. Release the deck drive belt tension.

4. Remove the existing spindle bolt and pulley from the right side blade spindle.

Replace the pulley with the double pulley and place the new cup washer between the head of the new bolt and the drive pulley. Thread the cup washer and bolt assembly into the spindle shaft. Torque the bolt to 65–75 ft.-lbs (88–101N•m). Figure 3-8

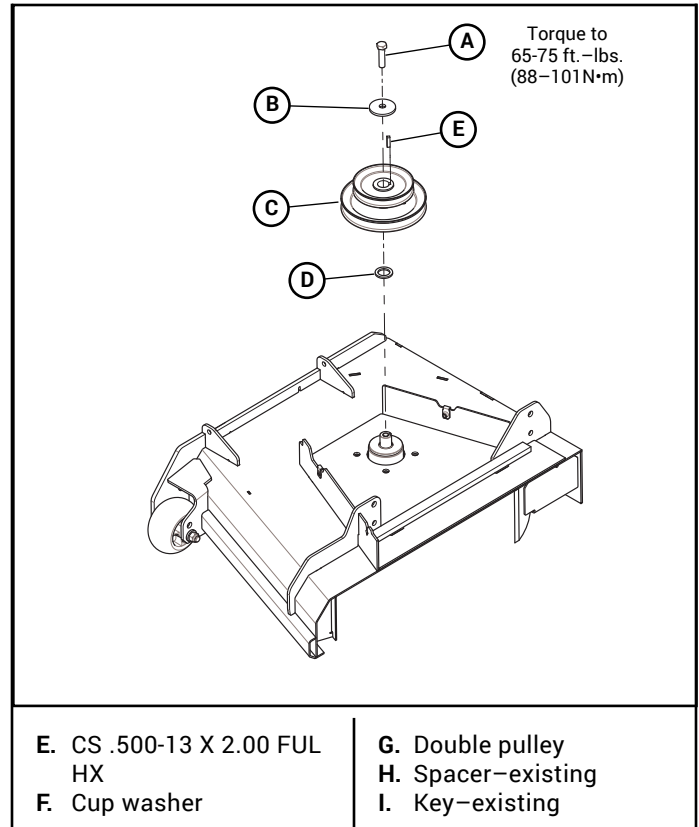


Figure 3-8

5. Attach the blower baffle to the deck. Figure 3-9

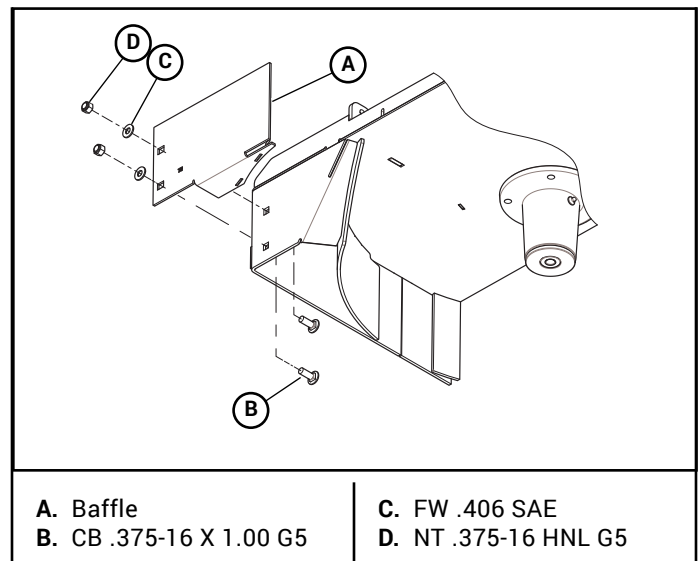


Figure 3-9

6. Remove the right front anti-scalp wheel from the deck.
7. Attach the double pulley mount assembly to the deck using the hardware shown. Figure 3-10
8. Re-attach the anti-scalp wheel to the deck using the existing hardware. Figure 3-10
9. Assemble the blower mount to the blower assembly. Figure 3-11

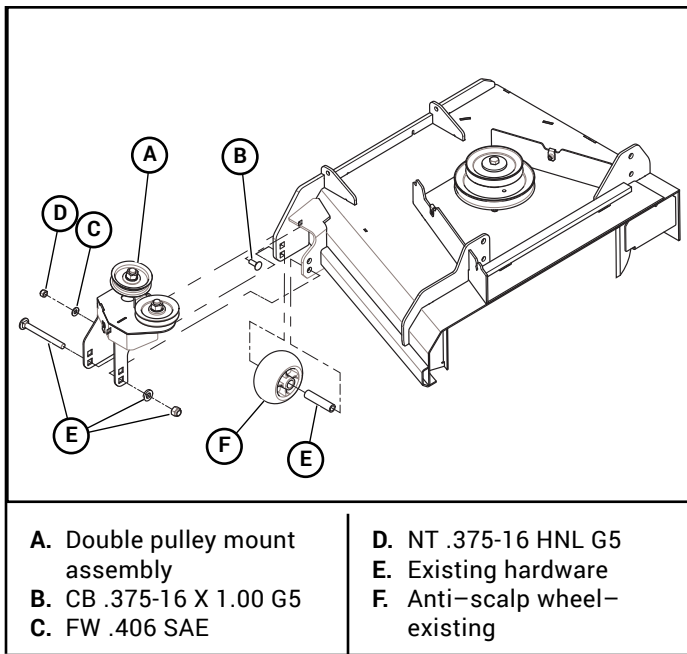


Figure 3-10

10. Attach the blower assembly to the deck by inserting the rod through the discharge chute bracket and the blower mount and secure with a nut. Figure 3-11

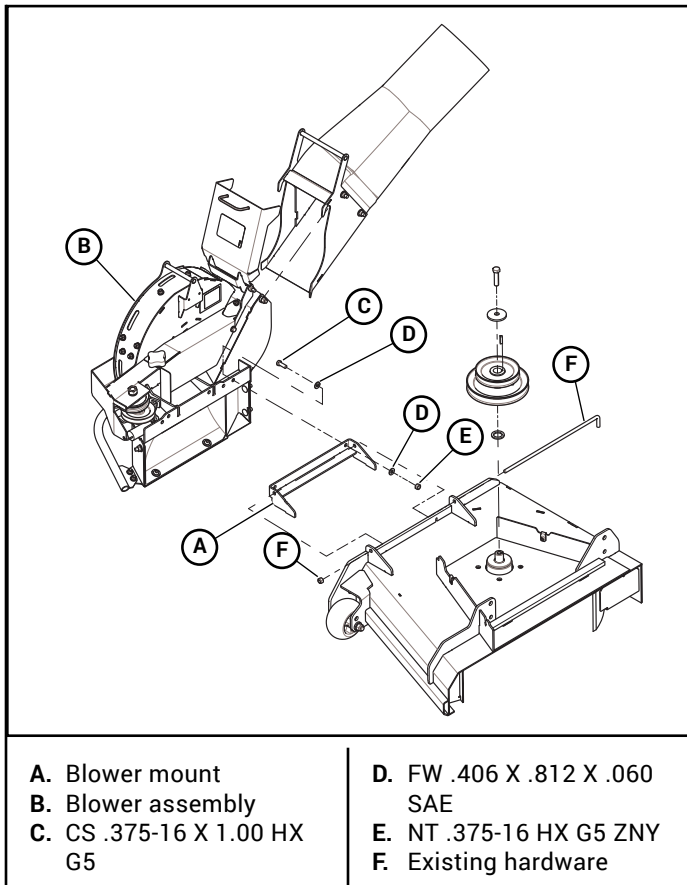


Figure 3-11

11. Place the deck drive belt around the lower pulley of the double pulley. Confirm that the belt is properly routed and seated on all pulleys and idlers. Re-tension the

deck drive belt using the spring anchor bracket. Tension the belt per the tensioning instructions found in the mower's *General Service Manual*.

12. Install and route the blower belt around the blower pulleys and the upper pulley on the double pulley. This belt is self-tensioning. Figure 3-12

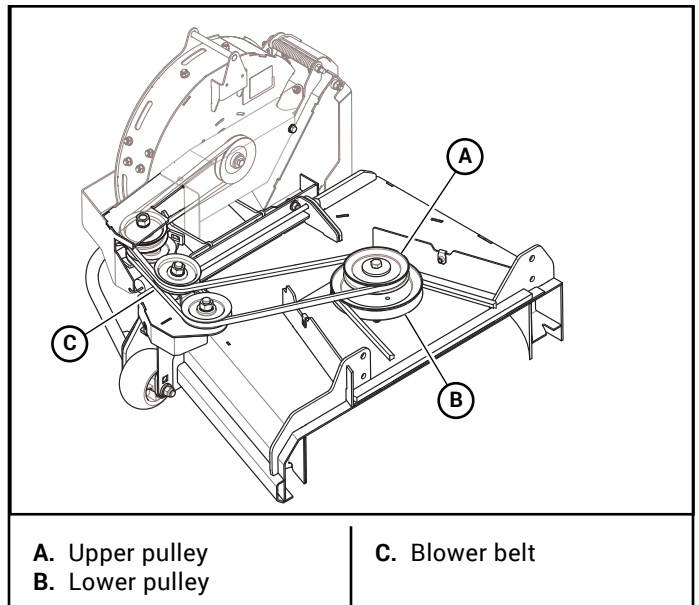


Figure 3-12

13. Attach the clip nuts to the deck belt cover. Figure 3-13
 14. Attach the deck belt cover and the blower belt cover. Figure 3-13 & Figure 3-14

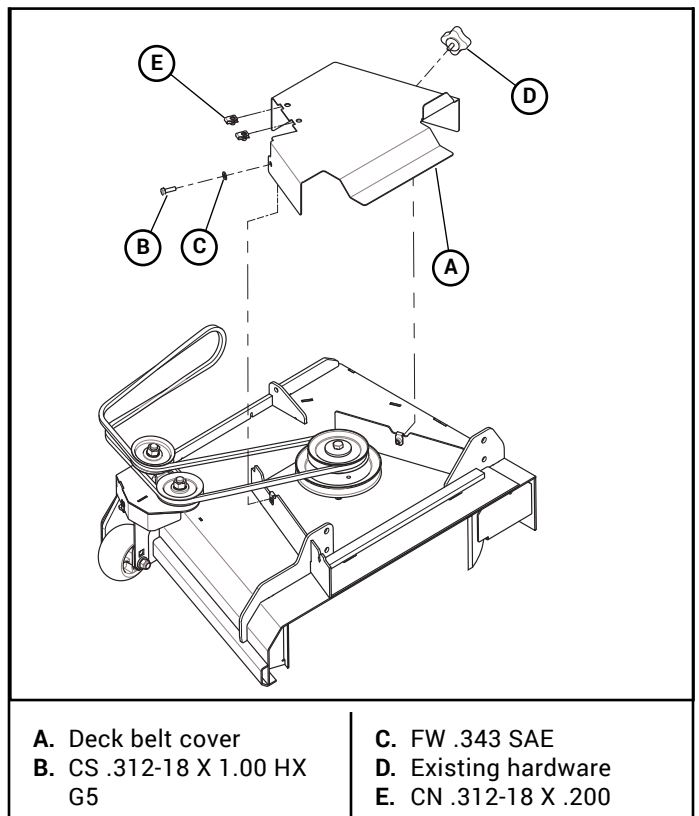


Figure 3-13

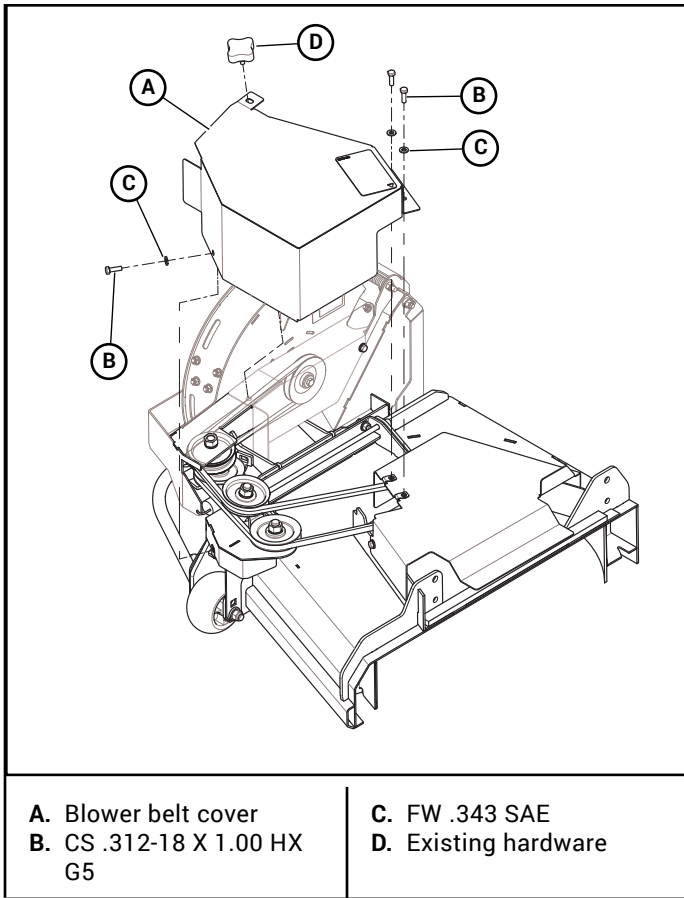


Figure 3-14

WARNING ⚠

Do not operate the deck without the discharge chute or complete catcher system in place.

Mower Deck Preparation – Hustler® Decks

123778 Adapter Assembly (Hustler® Super Z® 54")

PART NO.	DESCRIPTION	QTY.
017616	CS .500-13 X 1.75 HX G5	1
025395	CB .375-16 X 1.00 G5 ZNY	3
036236	CS .312-18 X 1.00 HX G5	4
036244	CS .375-16 X 1.00 HX G5	5
054502	NT .375-16 HX G5	5
086660	NT .375-16 G5 NL	6
114071	54" BLOWER BAFFLE	1
114360	RS 54" BLOWER BAFFLE	1
118204	LS BAFFLE	1
124326-3	BLOWER MOUNT	1
124339-3	DECK COVER	1
124340-3	BELT COVER	1
N/A	OUTLET TUBE	1
N/A	PULLEY MOUNT	1
601069	CN .312-18 X .20 MAX THK	2
601786	BELT, A 89.50 EL	1
605832	DOUBLE PULLEY	1
752386	CW .550 X 2.25 X .305 BLK	1
767954	FW .379 X .813 X .063	16
768523	FW .343 X .687 X .051/.080H	4

1. Before proceeding:

- Park the mower on level ground.
- Disengage the deck clutch.
- Place the steering control levers in the park brake position.
- Stop the engine.
- Remove the ignition key.
- Wait for the engine and all moving parts to come to a complete stop.
- Disconnect the negative battery cable.

2. Remove the discharge chute and torsion spring.

NOTE: Retain these parts as they will be re-installed when the Catcher is removed.

3. Release the deck drive belt tension.

4. Remove the existing spindle bolt and pulley from the right side blade spindle.

5. Replace the pulley with the double pulley and place the new cup washer between the head of the new bolt and the drive pulley. Thread the cup washer and bolt assembly into the spindle shaft. Torque the bolt to 65–75 ft.-lbs (88–101N•m). Figure 3-15

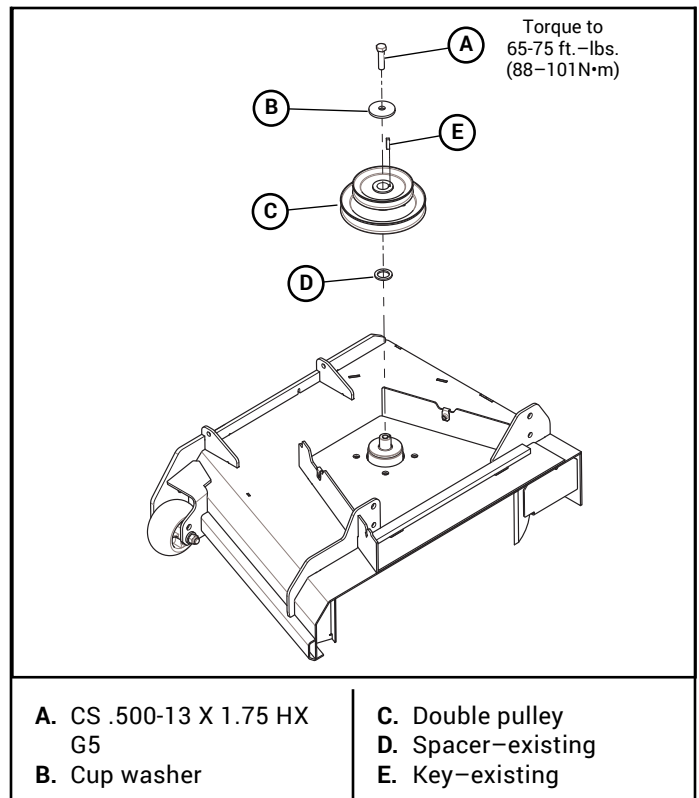


Figure 3-15

6. Attach the deck blowout baffle to the underneath side of the deck. Figure 3-16.

NOTE: This baffle replaces the existing right side adjustable baffle provided with the deck.

NOTE: The blowout baffle is most useful in dry, dusty conditions, particularly when picking up leaves. In other conditions, the adjustable baffle, supplied with the deck, may provide better cut quality and dispersion than the blowout baffle.

7. Attach the blower baffle to the deck. Figure 3-16

8. Before installing the LS Blower (Leaf) Baffle, Ref. H, refer to the Operation section of this manual for detailed information on the installation and use of the LS Blower (Leaf) Baffle. Refer to Figure 3-16.

9. Remove the right front anti-scalp wheel from the deck.

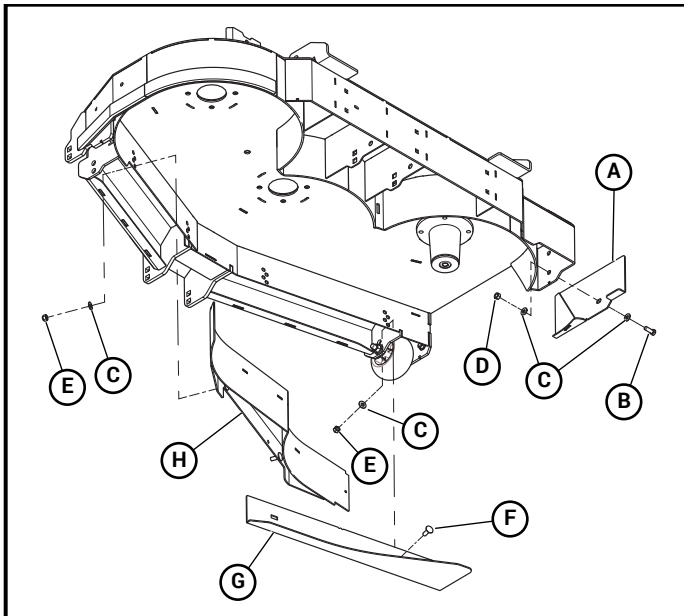
10. Attach the double pulley mount assembly to the deck using the hardware shown. Figure 3-17

11. Re-attach the anti-scalp wheel to the deck using the existing hardware. Figure 3-17

12. Assemble the blower mount to the blower assembly. Figure 3-18

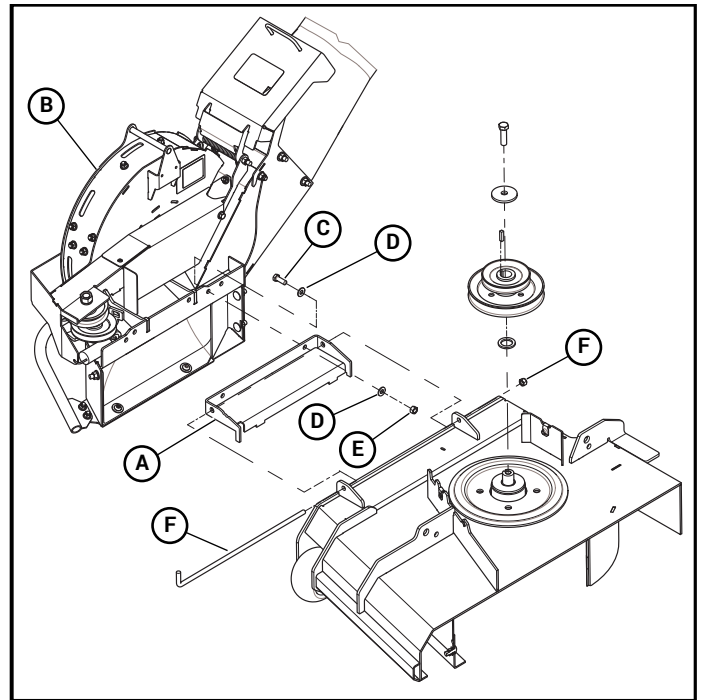
13. Attach the blower assembly to the deck by inserting the rod through the discharge chute bracket and the blower mount and secure with a nut. Figure 3-18

14. Place the deck drive belt around the lower pulley of the double pulley. Confirm that the belt is properly routed and seated on all pulleys and idlers. Re-tension the deck drive belt using the spring anchor bracket. Ten-



- | | |
|--------------------------|-------------------------|
| A. Blower Baffle | E. NT .375-16 G5 NL |
| B. CB .375-16 X 1.00 G5 | F. CB .375-16 X 1.00 G5 |
| C. FW .379 X .813 X .063 | G. RS Blowout Baffle |
| D. NT .375-16 G5 | H. LS Baffle |

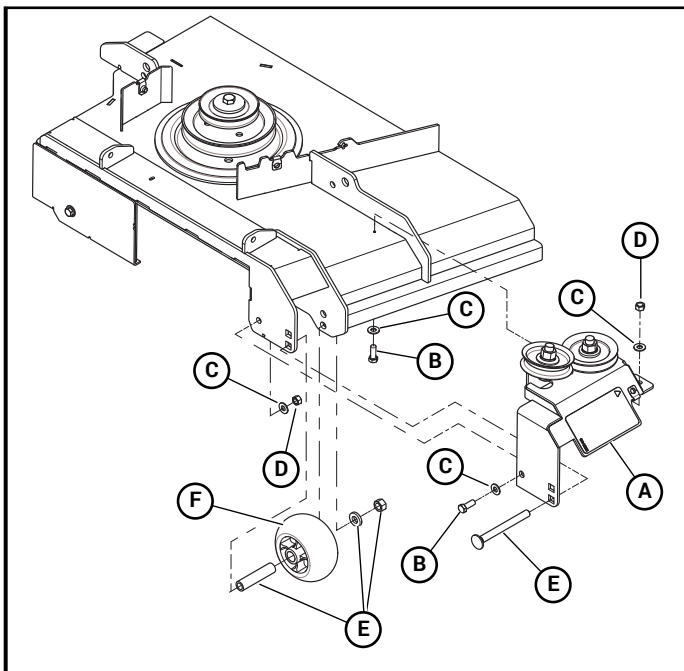
Figure 3-16



- | | |
|----------------------------|--------------------------|
| A. Blower mount | D. FW .379 X .813 X .063 |
| B. Blower assembly | E. NT .375-16 HX G5 |
| C. CS .375-16 X 1.00 HX G5 | F. Existing hardware |

Figure 3-18

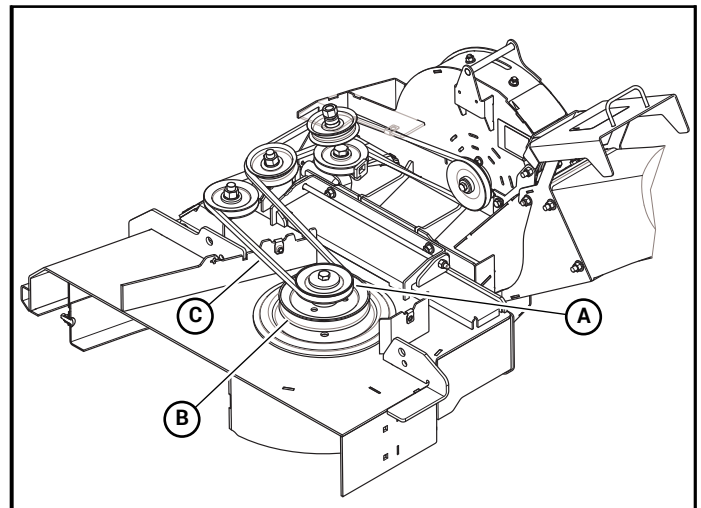
15. Install and route the blower belt around the blower pulleys and the upper pulley on the double pulley. This belt is self-tensioning. Figure 3-19



- | | |
|---------------------------------|------------------------------|
| A. Double pulley mount assembly | D. NT .375-16 HX G5 |
| B. CS .375-16 X 1.00 HX G5 | E. Existing hardware |
| C. FW .379 X .813 X .063 | F. Anti-scalp wheel-existing |

Figure 3-17

tion the belt per the tensioning instructions found in the mower's *General Service Manual*.



- | | |
|-----------------|----------------|
| A. Upper pulley | C. Blower belt |
| B. Lower pulley | |

Figure 3-19

16. Attach the clip nuts to the deck belt cover. Figure 3-20
 17. Attach the deck belt cover and the blower belt cover. Figure 3-20 & Figure 3-21

123779 Adapter Assembly (Hustler® Super Z® 60")

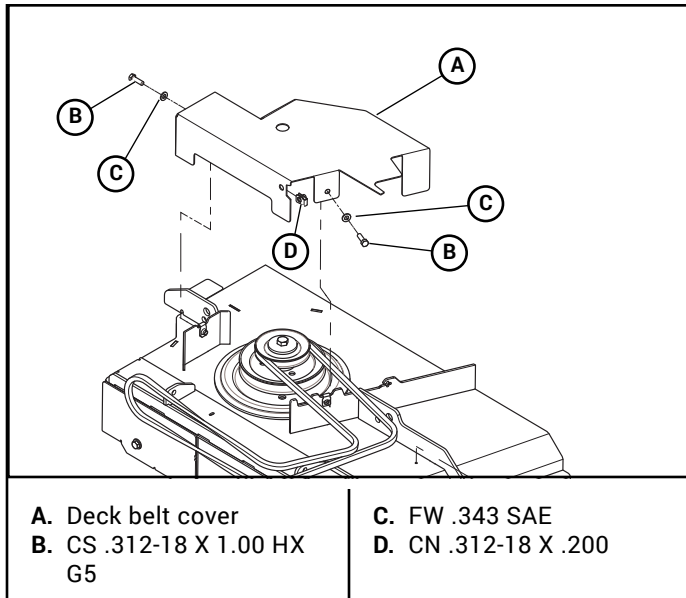


Figure 3-20

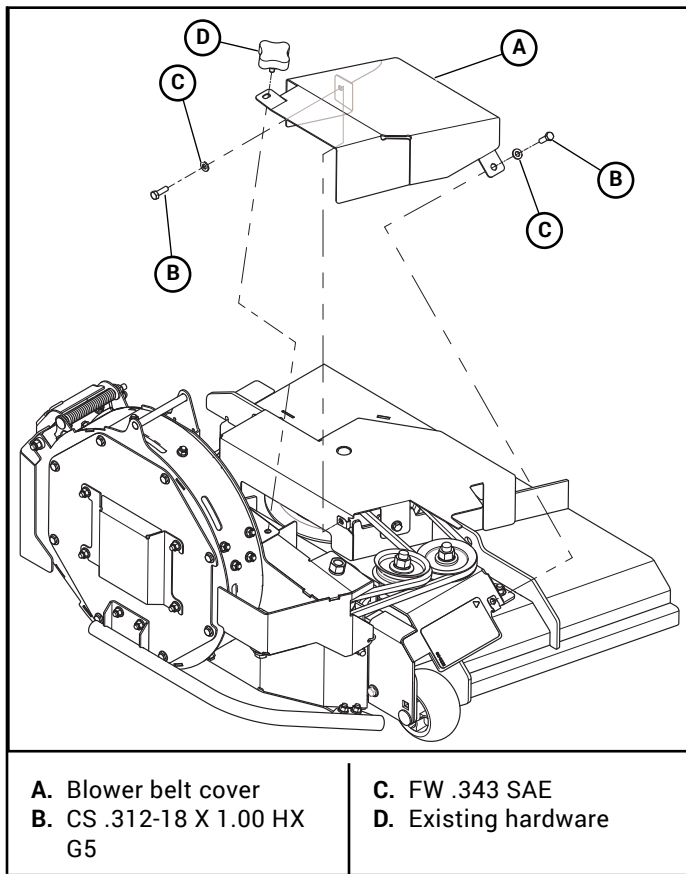
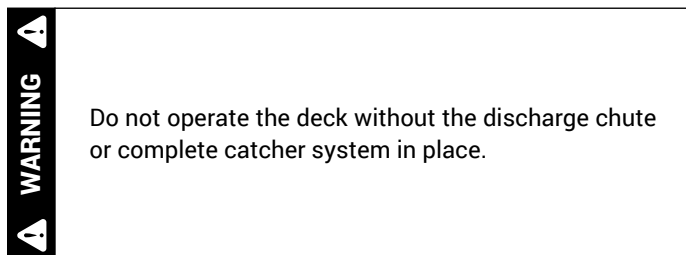


Figure 3-21



PART NO.	DESCRIPTION	QTY.
017616	CS .500-13 X 1.75 HX G5	1
025395	CB .375-16 X 1.00 G5 ZNY	3
036236	CS .312-18 X 1.00 HX G5	4
036244	CS .375-16 X 1.00 HX G5	5
054502	NT .375-16 HX G5	5
086660	NT .375-16 G5 NL	6
113127	BLOWER BAFFLE	1
114361	RS BLOWOUT BAFFLE	1
117800	LS BAFFLE	1
124329-3	BLOWER MOUNT	1
124341-3	DECK COVER	1
124342-3	BELT COVER	1
N/A	OUTLET TUBE	1
N/A	PULLEY MOUNT	1
601069	CN .312-18 X .20 MAX THK	2
602914	DOUBLE PULLEY	1
603745	BELT	1
752386	CW .550 X 2.25 X .305 BLK	1
767954	FW .379 X .813 X .063	16
768523	FW .343 X .687 X .051/.080H	4

1. Before proceeding:

- Park the mower on level ground.
- Disengage the deck clutch.
- Place the steering control levers in the park brake position.
- Stop the engine.
- Remove the ignition key.
- Wait for the engine and all moving parts to come to a complete stop.
- Disconnect the negative battery cable.

2. Remove the discharge chute and torsion spring.

NOTE: Retain these parts as they will be re-installed when the Catcher is removed.

3. Release the deck drive belt tension.

4. Remove the existing spindle bolt and pulley from the right side blade spindle.

5. Replace the pulley with the double pulley and place the new cup washer between the head of the new bolt and the drive pulley. Thread the cup washer and bolt assembly into the spindle shaft. Torque the bolt to 65–75 ft.-lbs (88–101N•m). Figure 3-22

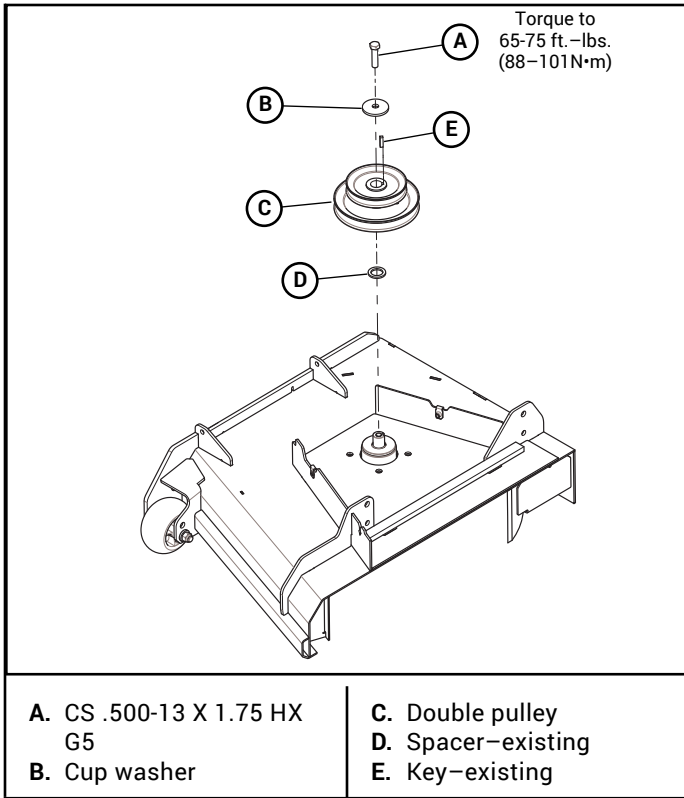


Figure 3-22

6. Attach the deck blowout baffle to the underneath side of the deck. Figure 3-23.

NOTE: This baffle replaces the existing right side adjustable baffle provided with the deck.

NOTE: The blowout baffle is most useful in dry, dusty conditions, particularly when picking up leaves. In other conditions, the adjustable baffle, supplied with the deck, may provide better cut quality and dispersion than the blowout baffle.

7. Attach the blower baffle to the deck. Figure 3-23
8. Before installing the LS Blower (Leaf) Baffle, Ref. H, refer to the Operation section of this manual for detailed information on the installation and use of the LS Blower (Leaf) Baffle. Figure 3-23.
9. Remove the right front anti-scalp wheel from the deck.
10. Attach the double pulley mount assembly to the deck using the hardware shown. Figure 3-24
11. Re-attach the anti-scalp wheel to the deck using the existing hardware. Figure 3-24
12. Assemble the blower mount to the blower assembly. Figure 3-25
13. Attach the blower assembly to the deck by inserting the rod through the discharge chute bracket and the blower mount and secure with a nut. Figure 3-25
14. Place the deck drive belt around the lower pulley of the double pulley. Confirm that the belt is properly routed and seated on all pulleys and idlers. Re-tension the deck drive belt using the spring anchor bracket. Ten-

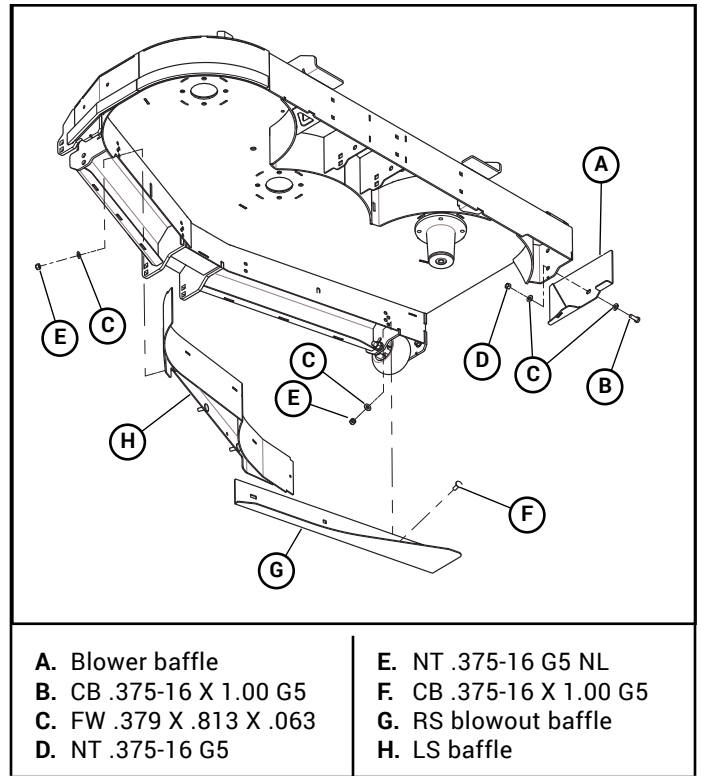


Figure 3-23

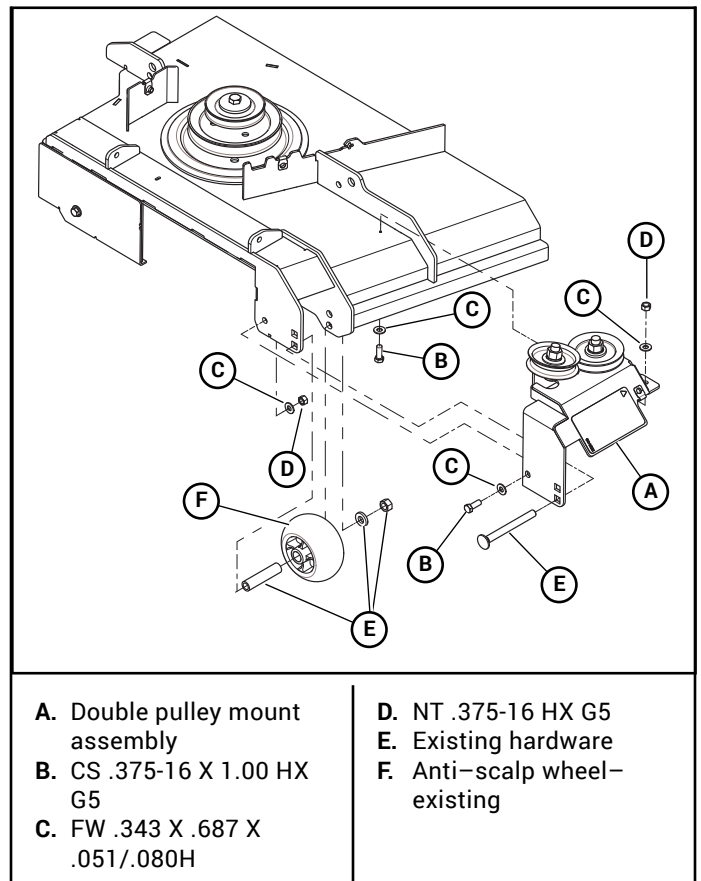


Figure 3-24

sion the belt per the tensioning instructions found in the mower's *General Service Manual*.

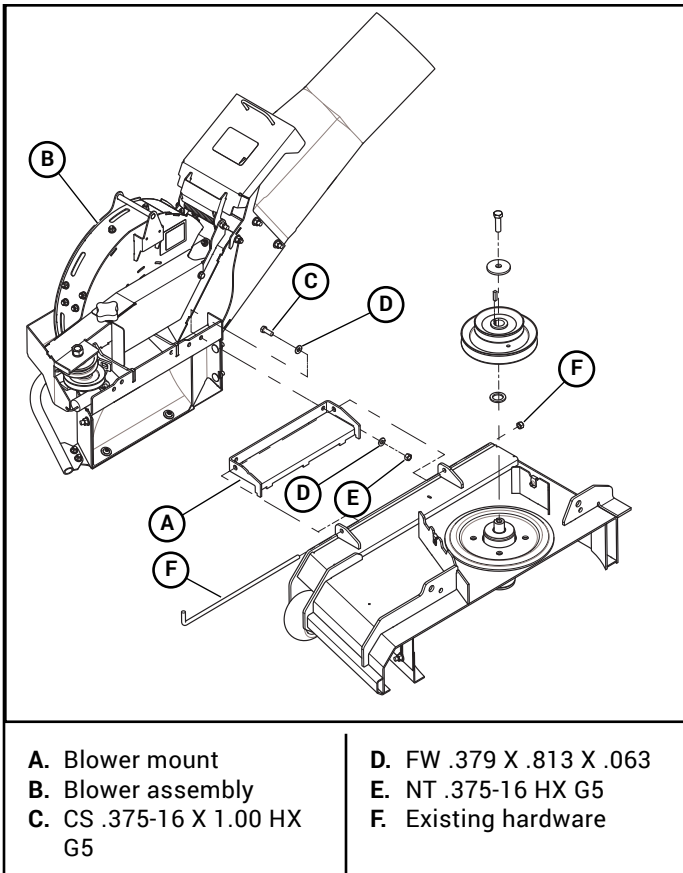


Figure 3-25

15. Install and route the blower belt around the blower pulleys and the upper pulley on the double pulley. This belt is self-tensioning. Figure 3-26

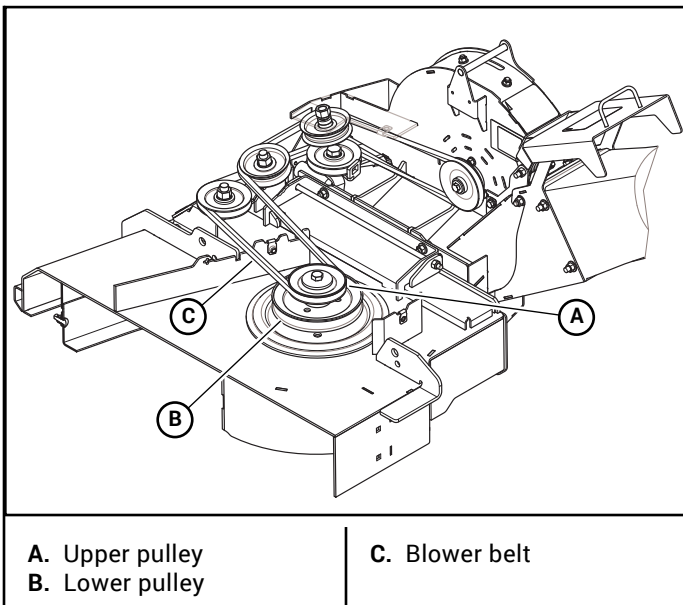


Figure 3-26

16. Attach the clip nuts to the deck belt cover. Figure 3-27

17. Attach the deck belt cover and the blower belt cover. Figure 3-27 & Figure 3-28

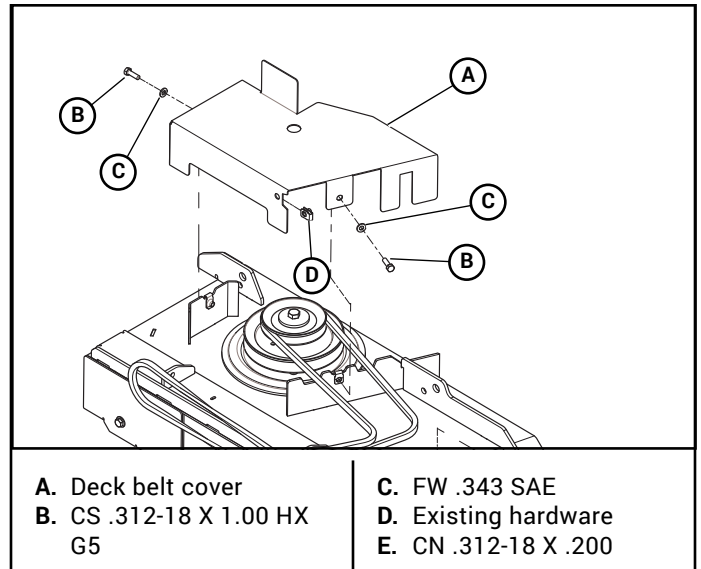


Figure 3-27

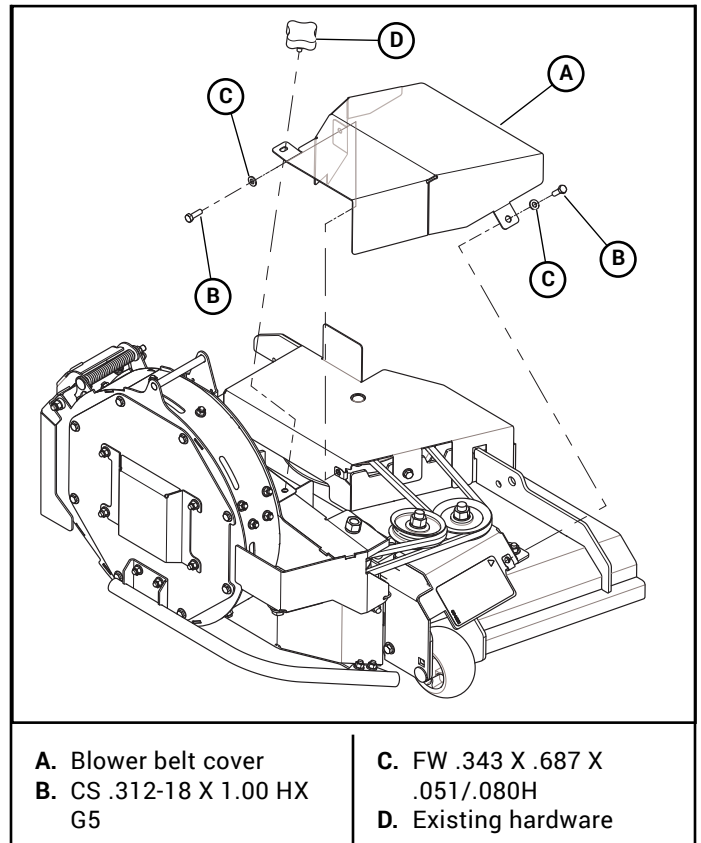
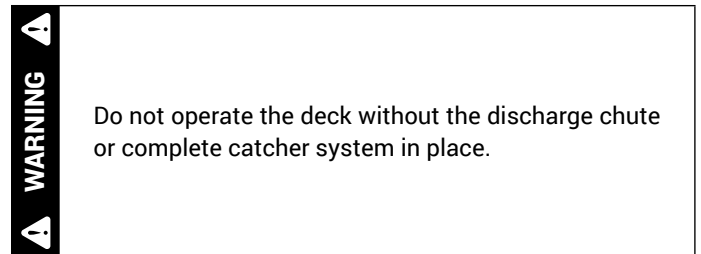


Figure 3-28



123780 Adapter Assembly (Hustler® Super Z® 66")

PART NO.	DESCRIPTION	QTY.
017616	CS .500-13 X 1.75 HX G5	1
025395	CB .375-16 X 1.00 G5 ZNY	3
036236	CS .312-18 X 1.00 HX G5	4
036244	CS .375-16 X 1.00 HX G5	4
054502	NT .375-16 HX G5	5
086660	NT .375-16 G5 NL	6
114074	66" BLOWER BAFFLE	1
114362	BLOWOUT BAFFLE RS 66"	1
118208	LS BAFFLE	1
124329-3	BLOWER MOUNT	1
124343-3	DECK COVER	1
124344-3	BELT COVER	1
124349-3	AUXILIARY COVER	1
N/A	OUTLET TUBE	1
601069	CN .312-18 X .20 MAX THK	2
602997	BELT, A 86.0" EL	1
603312	DOUBLE PULLEY	1
752386	CW .550 X 2.25 X .305 BLK	1
767954	FW .379 X .813 X .063	16
768523	FW .343 X .687 X .051/.080H	4

1. Before proceeding:

- Park the mower on level ground.
- Disengage the deck clutch.
- Place the steering control levers in the park brake position.
- Stop the engine.
- Remove the ignition key.
- Wait for the engine and all moving parts to come to a complete stop.
- Disconnect the negative battery cable.

2. Remove the discharge chute and torsion spring.

NOTE: Retain these parts as they will be re-installed when the Catcher is removed.

3. Release the deck drive belt tension.

4. Remove the existing spindle bolt and pulley from the right side blade spindle.

5. Replace the pulley with the double pulley and place the new cup washer between the head of the new bolt and the drive pulley. Thread the cup washer and bolt assembly into the spindle shaft. Torque the bolt to 65–75 ft.-lbs (88–101N•m). Figure 3-29

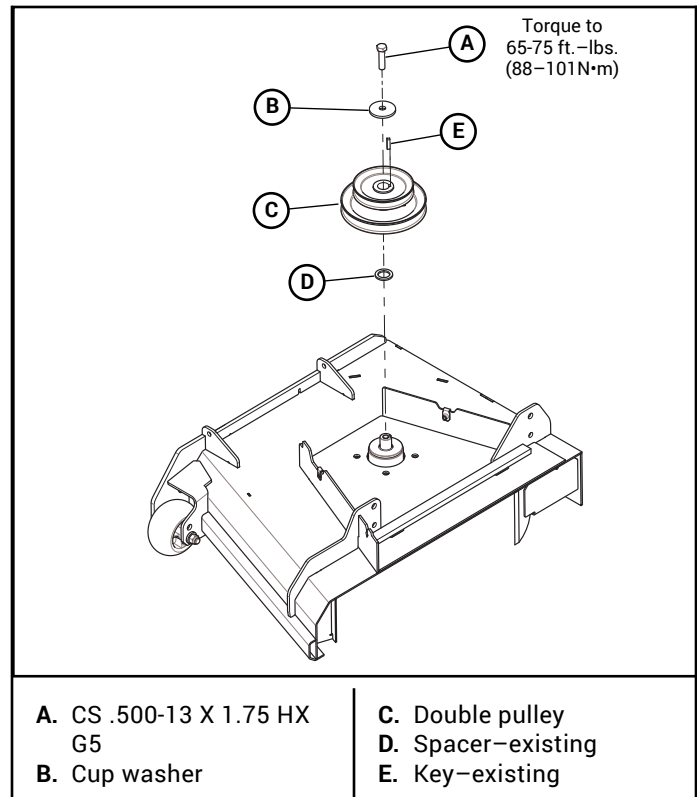


Figure 3-29

6. Attach the deck blowout baffle to the underneath side of the deck. Figure 3-30.

NOTE: This baffle replaces the existing right side adjustable baffle provided with the deck.

NOTE: The blowout baffle is most useful in dry, dusty conditions, particularly when picking up leaves. In other conditions, the adjustable baffle, supplied with the deck, may provide better cut quality and dispersion than the blowout baffle.

7. Attach the blower baffle to the deck. Figure 3-30

8. Before installing the LS Blower (Leaf) Baffle, Ref. H, refer to the Operation section of this manual for detailed information on the installation and use of the LS Blower (Leaf) Baffle. Figure 3-30.

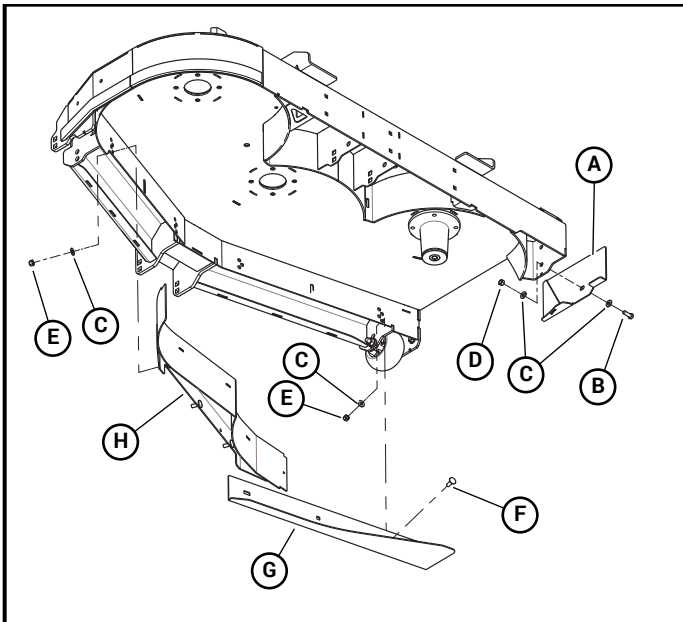
9. Assemble the blower mount to the blower assembly. Figure 3-31

10. Attach the blower assembly to the deck by inserting the rod through the discharge chute bracket and the blower mount and secure with a nut. Figure 3-31

11. Place the deck drive belt around the lower pulley of the double pulley. Confirm that the belt is properly routed and seated on all pulleys and idlers. Re-tension the deck drive belt using the spring anchor bracket. Tension the belt per the tensioning instructions found in the mower's *General Service Manual*.

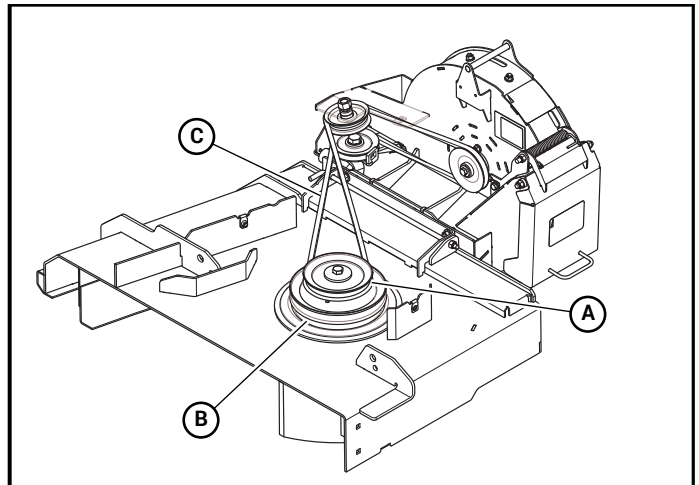
12. Install and route the blower belt around the blower pulleys and the upper pulley on the double pulley. This belt is self-tensioning. Figure 3-32

13. Attach the clip nuts to the deck belt cover. Figure 3-33



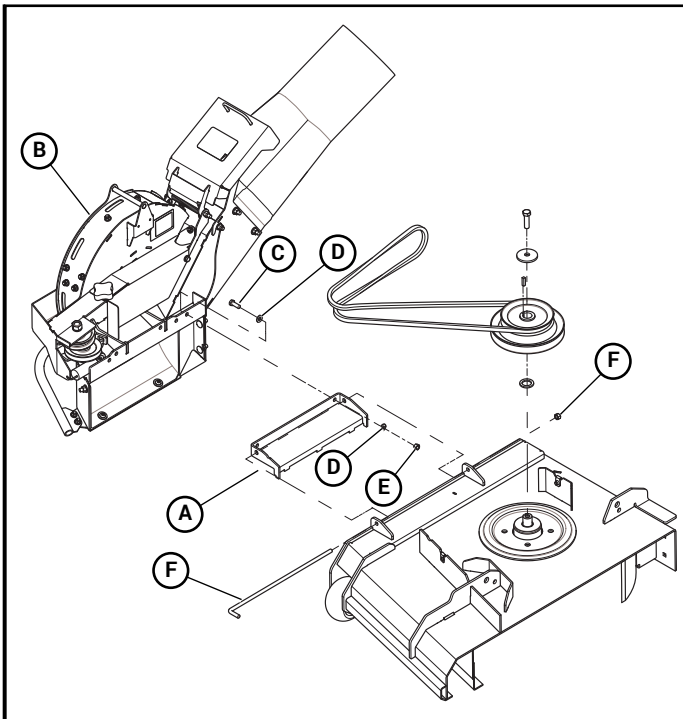
- | | |
|--------------------------|-------------------------|
| A. Blower baffle | E. NT .375-16 G5 NL |
| B. CB .375-16 X 1.00 G5 | F. CB .375-16 X 1.00 G5 |
| C. FW .379 X .813 X .063 | G. RS blowout baffle |
| D. NT .375-16 G5 | H. LS baffle |

Figure 3-30



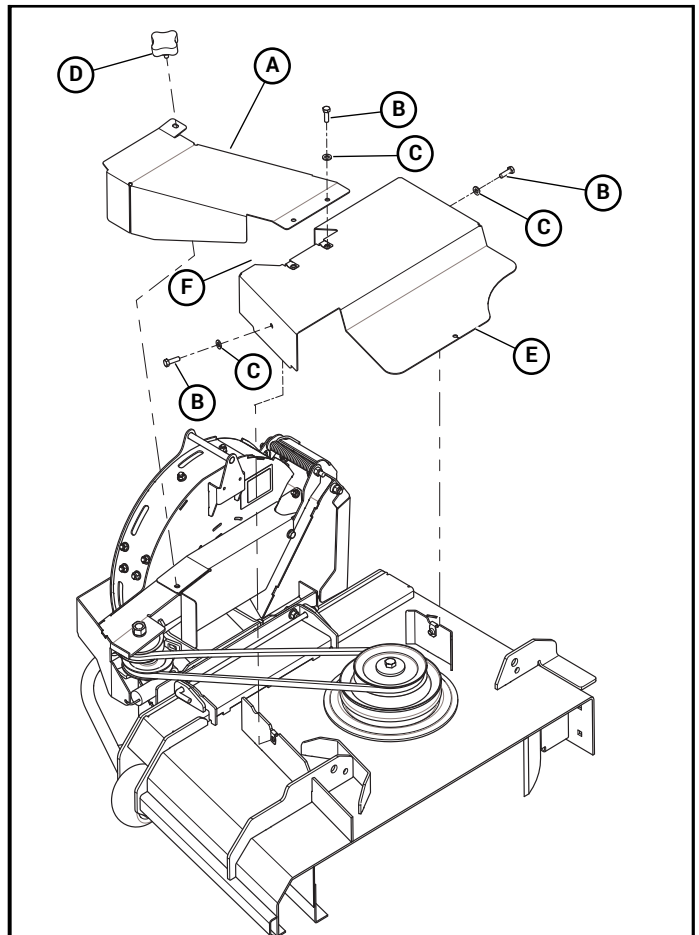
- | | |
|-----------------|----------------|
| A. Upper pulley | C. Blower belt |
| B. Lower pulley | |

Figure 3-32



- | | |
|----------------------------|--------------------------|
| A. Blower mount | D. FW .379 X .813 X .063 |
| B. Blower assembly | E. NT .375-16 HX G5 |
| C. CS .375-16 X 1.00 HX G5 | F. Existing hardware |

Figure 3-31



- | | |
|--------------------------------|----------------------|
| A. Blower belt cover | D. Existing hardware |
| B. CS .312-18 X 1.00 HX G5 | E. Deck belt cover |
| C. FW .343 X .687 X .051/.080H | F. CN .312-18 X .200 |

Figure 3-33

14. Attach the deck belt cover and the blower belt cover. Figure 3-33

WARNING

Do not operate the deck without the discharge chute or complete catcher system in place.

123781 Adapter Assembly (Hustler® Super Z® 72")

PART NO.	DESCRIPTION	QTY.
017616	CS .500-13 X 1.75 HX G5	1
025395	CB .375-16 X 1.00 G5 ZNY	3
036236	CS .312-18 X 1.00 HX G5	4
036244	CS .375-16 X 1.00 HX G5	5
054502	NT .375-16 HX G5	5
086660	NT .375-16 G5 NL	6
114077	72" BLOWER BAFFLE	1
114363	BLOWOUT BAFFLE RS 72"	1
118212	LS BAFFLE	1
124329-3	BLOWER MOUNT	1
124345-3	DECK COVER	1
124346-3	BELT COVER	1
124350-3	AUXILIARY COVER	1
N/A	OUTLET TUBE	1
601069	CN .312-18 X .20 MAX THK	2
602998	BELT, A 89.0" EL	1
603313	DOUBLE PULLEY	1
752386	CW .550 X 2.25 X .305 BLK	1
767954	FW .379 X .813 X .063	16
768523	FW .343 X .687 X .051/.080H	4

- Before proceeding:
 - Park the mower on level ground.
 - Disengage the deck clutch.
 - Place the steering control levers in the park brake position.
 - Stop the engine.
 - Remove the ignition key.
 - Wait for the engine and all moving parts to come to a complete stop.
 - Disconnect the negative battery cable.
- Remove the discharge chute and torsion spring.

NOTE: Retain these parts as they will be re-installed when the Catcher is removed.
- Release the deck drive belt tension.

- Remove the existing spindle bolt and pulley from the right side blade spindle.
- Replace the pulley with the double pulley and place the new cup washer between the head of the new bolt and the drive pulley. Thread the cup washer and bolt assembly into the spindle shaft. Torque the bolt to 65–75 ft.-lbs (88–101N•m). Figure 3-34

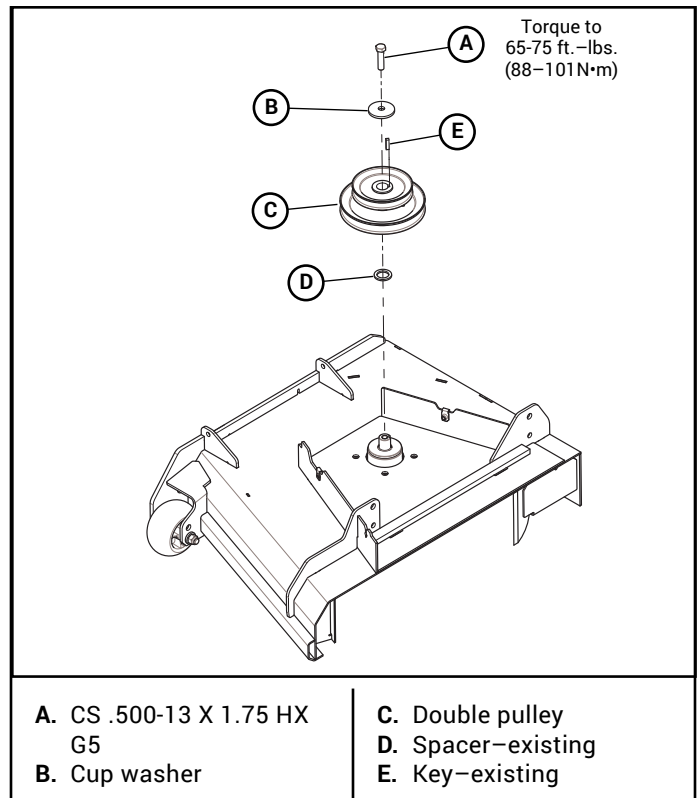


Figure 3-34

- Attach the deck blowout baffle to the underneath side of the deck. Figure 3-35

NOTE: This baffle replaces the existing right side adjustable baffle provided with the deck.

NOTE: The blowout baffle is most useful in dry, dusty conditions, particularly when picking up leaves. In other conditions, the adjustable baffle, supplied with the deck, may provide better cut quality and dispersion than the blowout baffle.
- Attach the blower baffle to the deck. Figure 3-35
- Before installing the LS Blower (Leaf) Baffle, Ref. H, refer to the Operation section of this manual for detailed information on the installation and use of the LS Blower (Leaf) Baffle. Figure 3-35.
- Assemble the blower mount to the blower assembly. Figure 3-36
- Attach the blower assembly to the deck by inserting the rod through the discharge chute bracket and the blower mount and secure with a nut. Figure 3-36

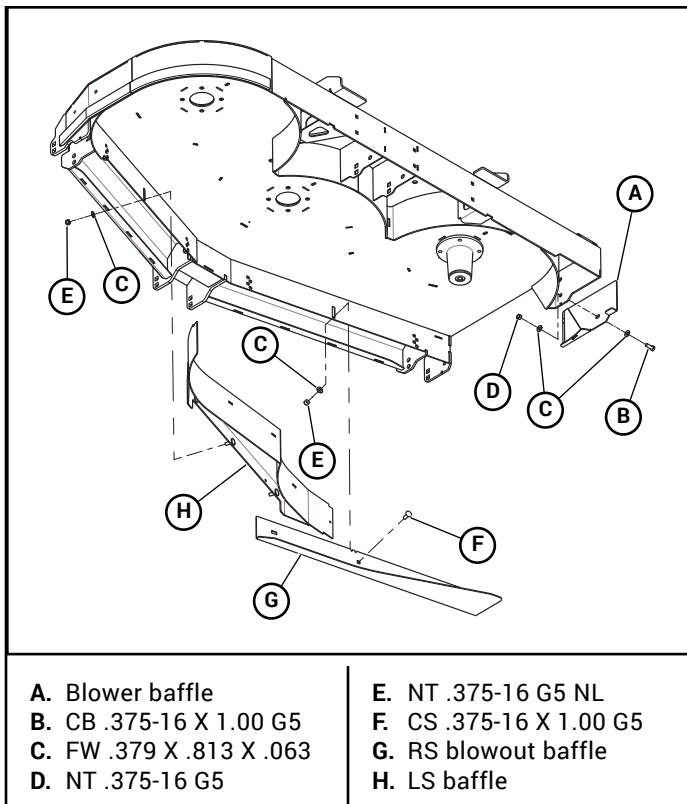


Figure 3-35

11. Place the deck drive belt around the lower pulley of the double pulley. Confirm that the belt is properly routed and seated on all pulleys and idlers. Re-tension the deck drive belt using the spring anchor bracket. Tension the belt per the tensioning instructions found in the mower's *General Service Manual*.
12. Install and route the blower belt around the blower pulleys and the upper pulley on the double pulley. This belt is self-tensioning. Figure 3-37

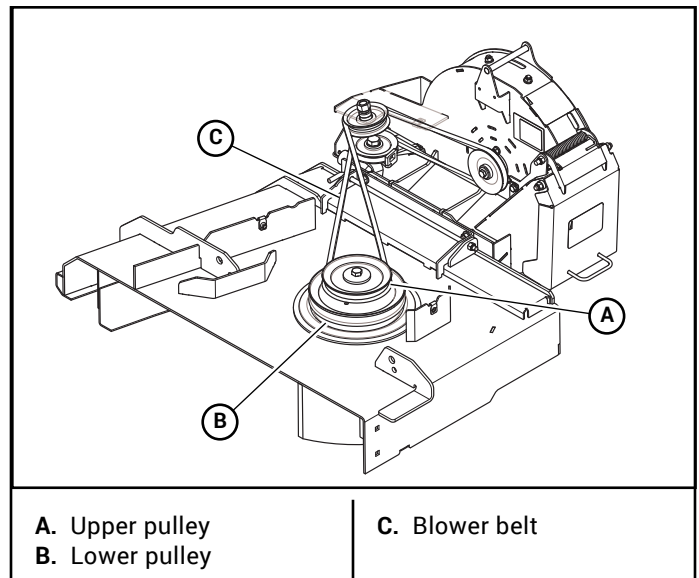


Figure 3-37

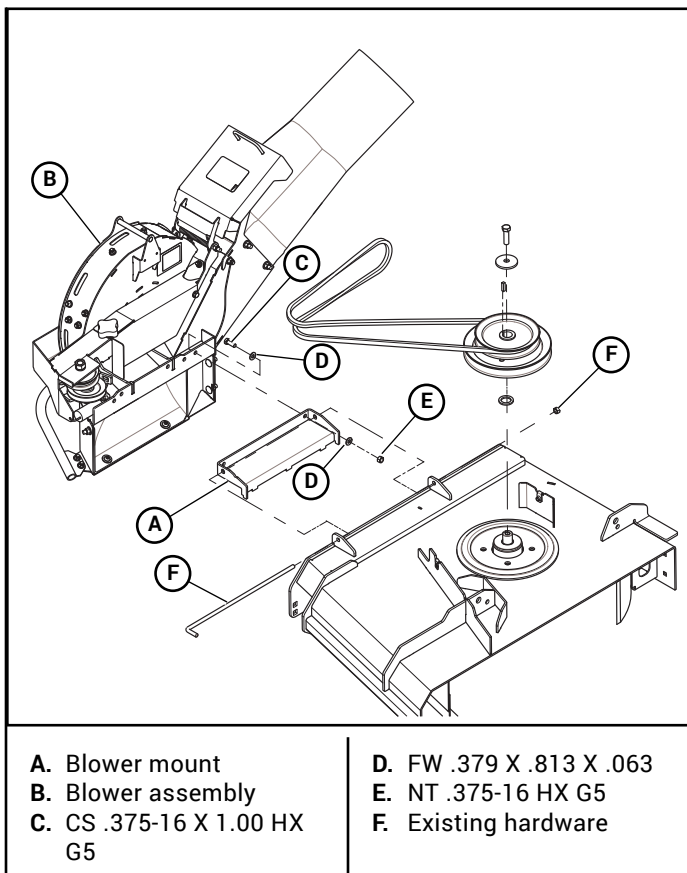


Figure 3-36

13. Attach the clip nuts to the deck belt cover. Figure 3-38
14. Attach the deck belt cover and the blower belt cover. Figure 3-38

Mower Preparation (All Models)

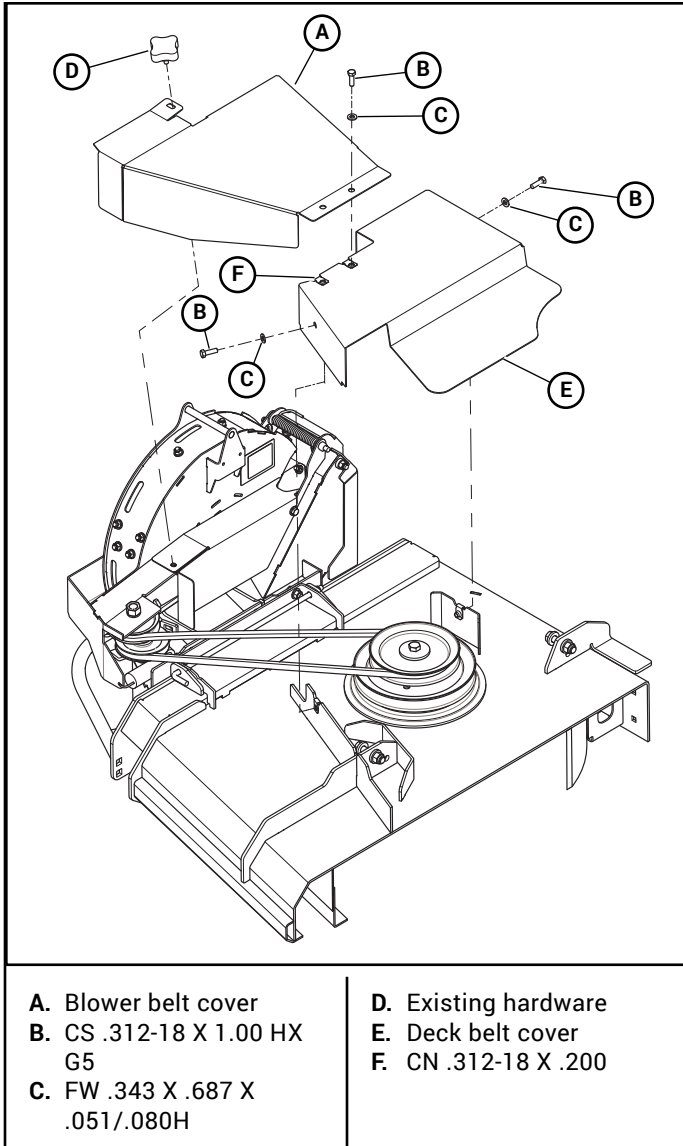


Figure 3-38



Allow the engine and muffler to cool before assembling the unit to the mower.

1. Remove the two cap screws that attach the left side of the rear engine guard to the mower frame. Figure 3-39
2. Attach the left side mount to the rear engine guard and the mower frame using the hardware shown. Figure 3-39
3. Remove the two cap screws that attach the right side of the rear engine guard to the mower frame. Figure 3-39
4. Attach the right side mount to the rear engine guard and the mower frame using the hardware shown. Figure 3-39
5. Attach the bag shield to the right side mount as shown. Figure 3-39
6. Attach the pivot mount assembly to the left and right mounts as shown. Figure 3-39
7. Attach the correct muffler extension to the muffler outlet tube using the self-tapping screw shown. Figure 3-40

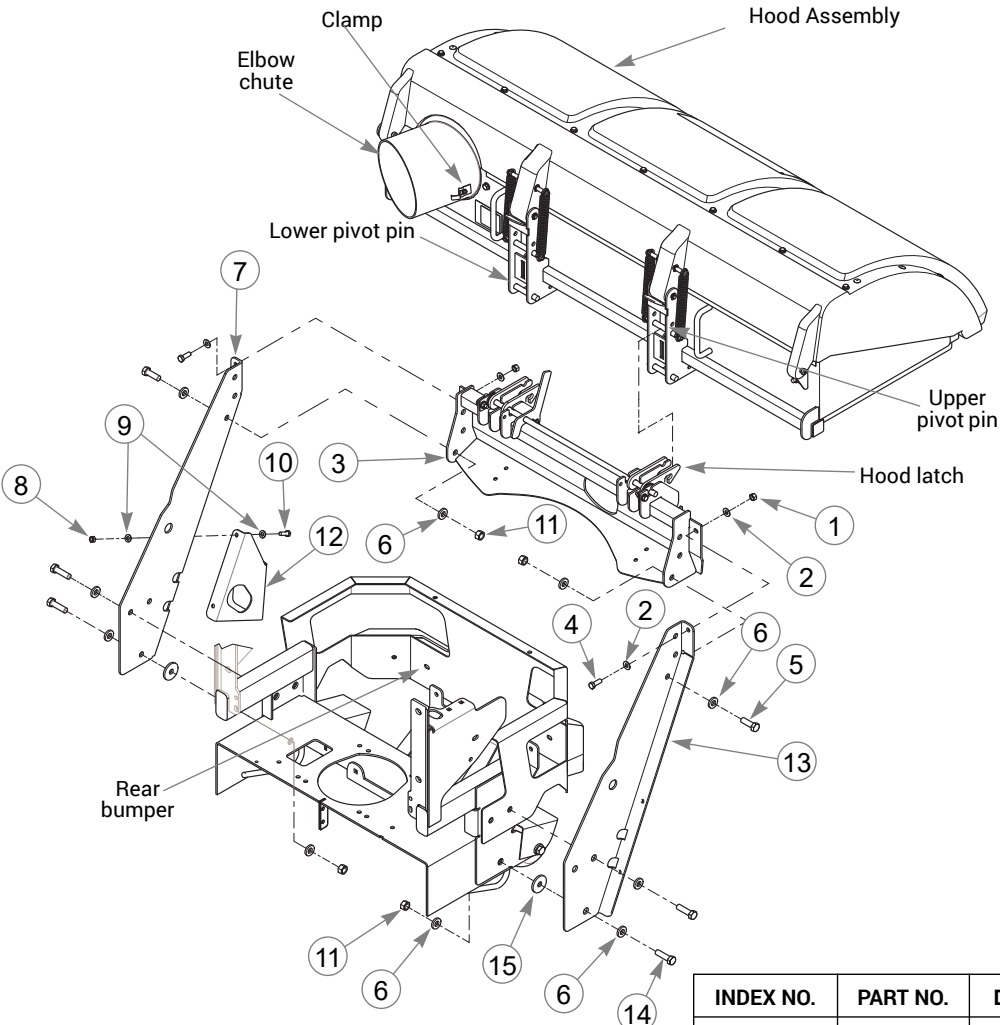
IMPORTANT: Tailpipe and tailpipe extension become very hot during operation. These parts must not be allowed to contact the catcher shell during operation or while the mower is hot.

8. Tighten all hardware.



Do not operate the deck without the discharge chute or complete catcher system in place.

Catcher Hood Assembly



INDEX NO.	PART NO.	DESCRIPTION
1	054502	NT .375-16 HX G5 ZNY
2	767954	FW .379 X .813 X .063
3	N/A	FRAME MOUNT
4	036244	CS .375-16 X 1.00 HX G5
5	074252	CS .500-13 X 1.50 HX G5
6	767962	FW .531 X 1.063 X .175
7	124337-3	RS MOUNT
8	034272	NT .312-18 HX G5
9	768523	FW .343 X .687 X .051/.080H
10	036236	CS .312-18 X 1.00 HX G5
11	008193	NT .500-13 HX G5 ZNYC
12	118608	RS BAG GUARD
13	124338-3	LS MOUNT
14	017616	CS .500-13 X 1.75 HX G5
15	078386	FW .510 X 1.75 X .18 ZNYC

Figure 3-39

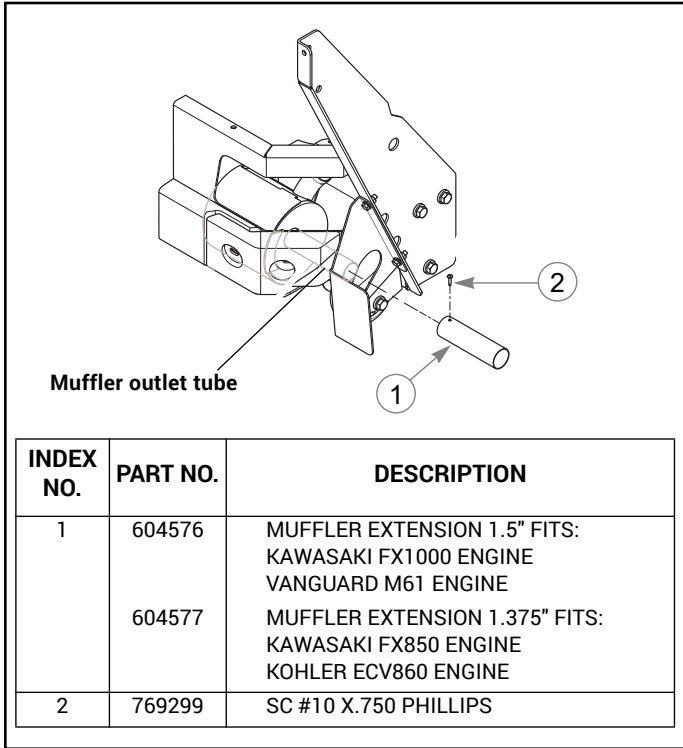


Figure 3-40

Final Connection

1. Insert the hood inlet tube into the opening in the hood assembly and bolt in place. Make sure the tube is oriented per the illustration. Figure 3-41

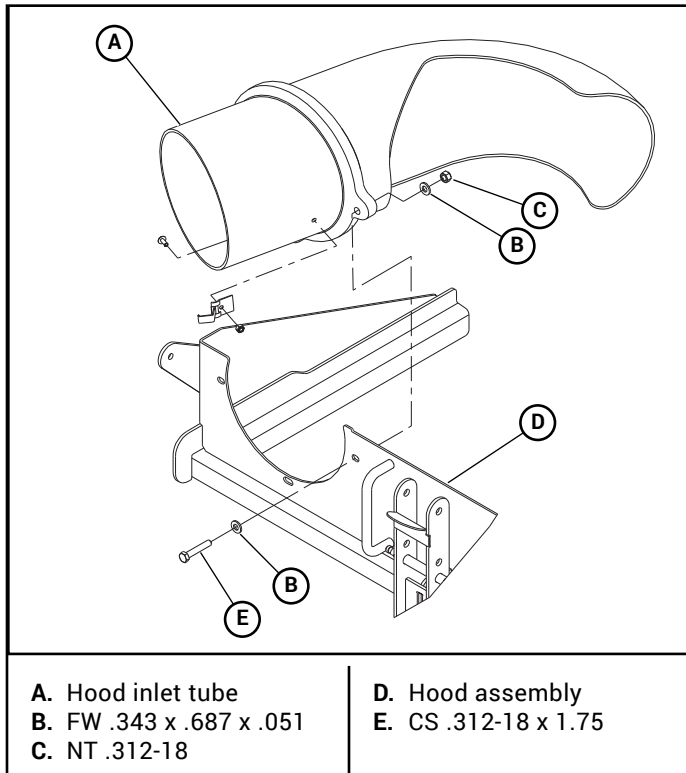


Figure 3-41

1. Lift the hood assembly using the lift handles. Figure 3-42

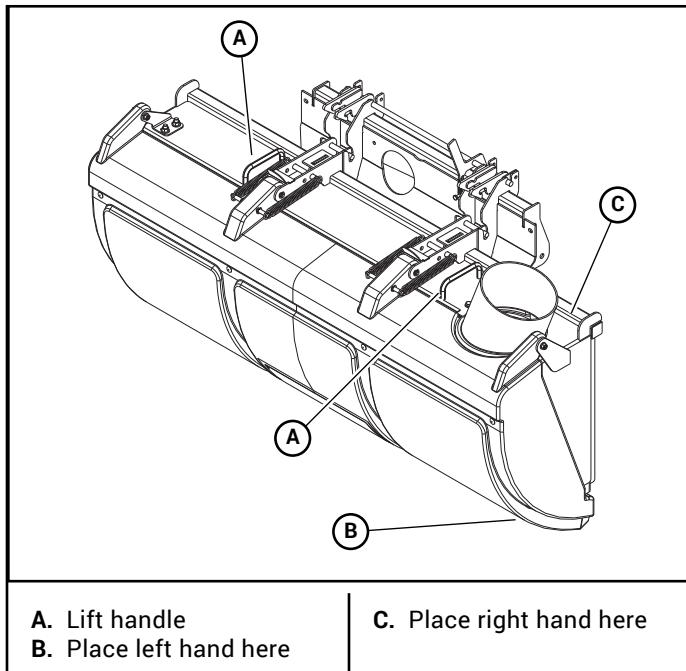


Figure 3-42

2. Slide the hood assembly's lower pivot pins into the slots in the pivot mount assembly. Figure 3-43

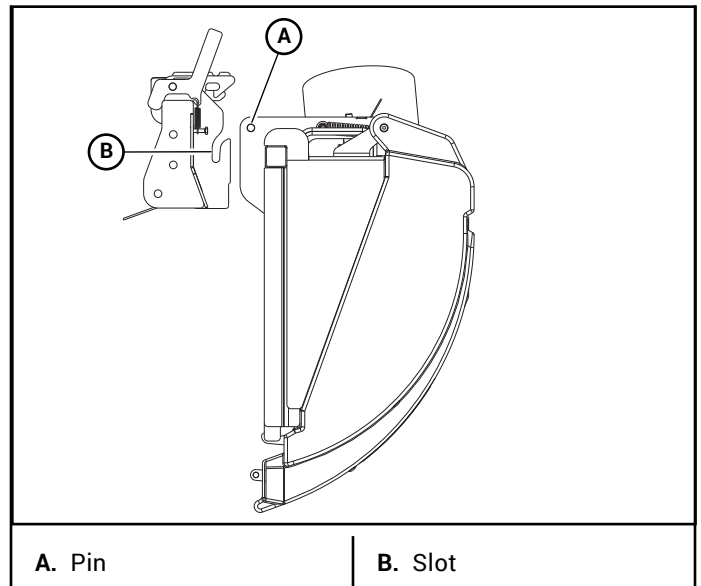


Figure 3-43

3. Place your hands on the hood assembly as indicated in Figure 3-42. By lifting with your left hand and pushing down with your right hand, pivot the lid assembly up 90° and over until the upper pins latch in the upper hood latch. Figure 3-44

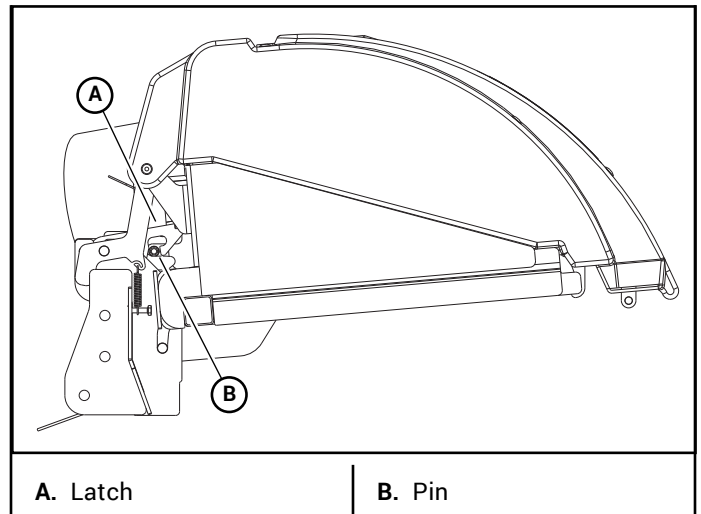


Figure 3-44

4. Raise the discharge cover on the blower housing. Slide the outlet adapter into place on the blower outlet. Secure in place with the discharge cover latching the rod handle of the outlet adapter. Figure 3-4, Figure 3-11, Figure 3-18, Figure 3-25, Figure 3-31, or Figure 3-36
5. Slide one end of the flex tube onto the blower outlet tube. Figure 3-45
6. Slide the other end of the flex tube over the catcher hood elbow chute and secure in place with the clamp. Figure 3-45
7. Attach the counter weight mount to the front of the mower. Figure 3-46

8. Slide the weights vertically onto the mount and lock in place using the weight lock plate and tighten knobs. Figure 3-46
9. Place the bags in the catcher assembly and close the catcher hood. Make sure the catcher lid latches in place.

NOTE: Make sure that the non-mesh side of the bag is toward the engine. Figure 3-45

10. Reconnect the negative battery cable.
11. Increase the air pressure in the mower's drive tire's to 16 psi (110 KPa). The drive tires will need to have the air pressure increased to support the additional weight of the catcher system.

NOTE: When the catcher system is removed the air pressure in the tires should be decreased to the normal operating range of 8 – 12 psi (55 – 83 KPa).

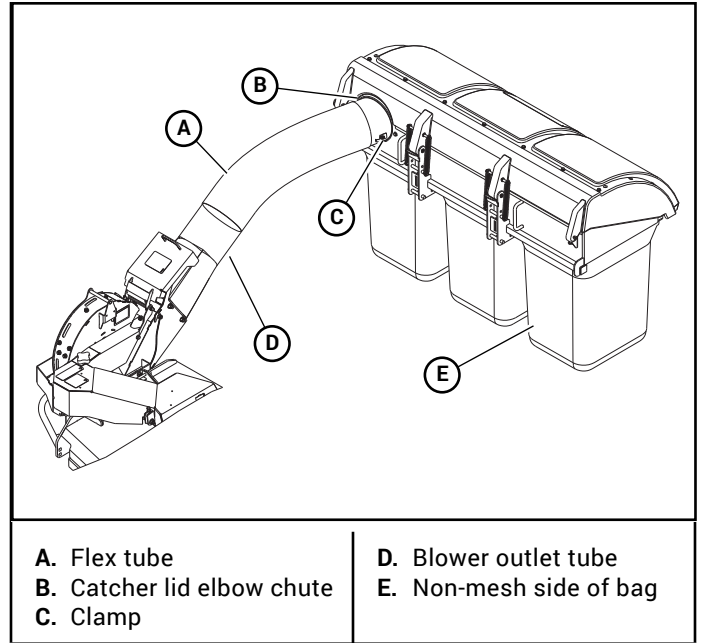
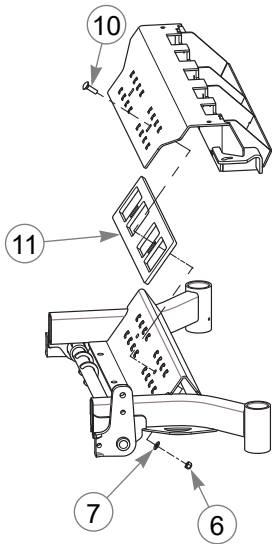
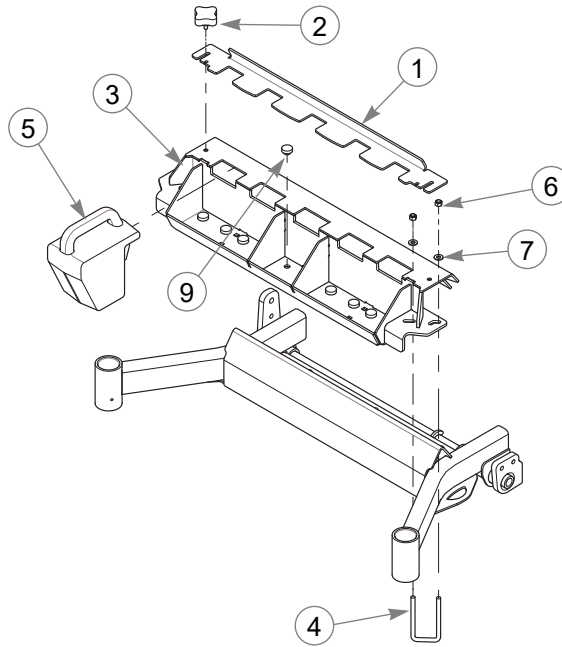
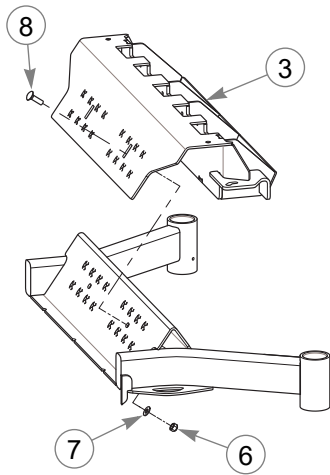


Figure 3-45

Weight Assembly



60" BigDog® Diablo® MP only

INDEX NO.	PART NO.	DESCRIPTION
1	118125	WEIGHT LOCK PLATE
2	792002	KNOB 5/16-18 X 3/4"
3	122480	WEIGHT MOUNT
4	604423	UB .375-16 X 2.00 X 4.50 SQ
5	603207	WEIGHT
6	086660	NT .375-16 HXZY NL
7	767954	FW .406 X .812 X .060 SAE
8	025395	CB .375-16 X 1.00 G5
9	781880	BUMPER
10	603113	CB .375-16 X 1.25 G5 ZNC
11	124347-3	WEIGHT SPACER

Figure 3-46

OPERATION

Collecting and Vacuum Pickup

Follow normal mower start-up and operating procedures as outlined in the mower's operator's manual. The blower will operate when the mower deck clutch switch is engaged. To stop the blower, return the deck clutch switch to the disengaged position.

Proceed to mow in the normal manner and occasionally glance at the flex tube. When the bags are full the speed of debris through the tube will decrease. When the bags are filled, move the deck clutch switch to the disengaged position and drive the machine to the unloading area.

It is best that the bags be unloaded before the discharge chute and flex tube areas become clogged. If clogging occurs, it will be necessary to clear the blower chute and flex tube areas of all material before starting to mow again.

WARNING Make certain the engine is turned off, the steering control levers are in the park brake position and the ignition key is removed from the ignition switch and be sure blades have stopped before clearing the blower chute and flex tube areas.

WARNING Never place hands or feet into the discharge area. The impeller is relatively close to the housing and will cause severe injury. Use a probe to clean debris from blower housing discharge area. The discharge cover must remain closed whenever the blower chute is removed.

WARNING Never engage mower deck unless catcher flex tube is clamped in place on catcher lid elbow chute and inserted onto blower chute outlet tube.

WARNING Prevent objects being thrown and the accumulation of grass clippings and other debris in the engine compartment by NEVER operating the mower deck unless:

- All bags are installed.
- Hood is lowered and latched.
- Flex tube is in place on the blower chute and on the catcher lid elbow chute and clamped.

Left Side Blower (Leaf) Baffles

This applies to Deck Adapter Kits 123778, 123779, 123780, 123781 only.

These baffles can replace the existing adjustable baffles provided with the deck in certain situations.

These baffles are most useful in dry, dusty conditions, particularly when picking up leaves. In other conditions, the adjustable baffles, supplied with the deck, may provide better cut quality and dispersion than the leaf baffles.

WARNING Use only appropriate vehicle stands, with a minimum weight rating of 2000 pounds to block the unit up. Use in pairs only. Follow the instructions supplied with the vehicle stands.

WARNING Mower blades are sharp and can cut. Wrap the blade(s) or wear gloves and use extra caution when servicing them.

1. Before proceeding:
 - Park the mower on level ground.
 - Disengage the deck clutch.
 - Place the steering control levers in the park brake position.
 - Stop the engine.
 - Remove the ignition key.
 - Wait for the engine and all moving parts to come to a complete stop.
 - Disconnect the negative battery cable from the battery.
2. Raise the front of the mower and block it up high enough to allow the kit to be installed on the underneath side of the deck. Chock the drive wheels to prevent the mower from moving.
3. Remove the existing baffle from the underneath left hand side of the deck. Retain this baffle as it can be reused in different mowing conditions.
4. Attach the LS blower (leaf) baffle as shown. Figure 4-1 & Figure 4-2
NOTE: The baffle can only be mounted in the lower set of deck mount holes.
5. Lower the mower, reconnect the negative battery cable and continue operation.

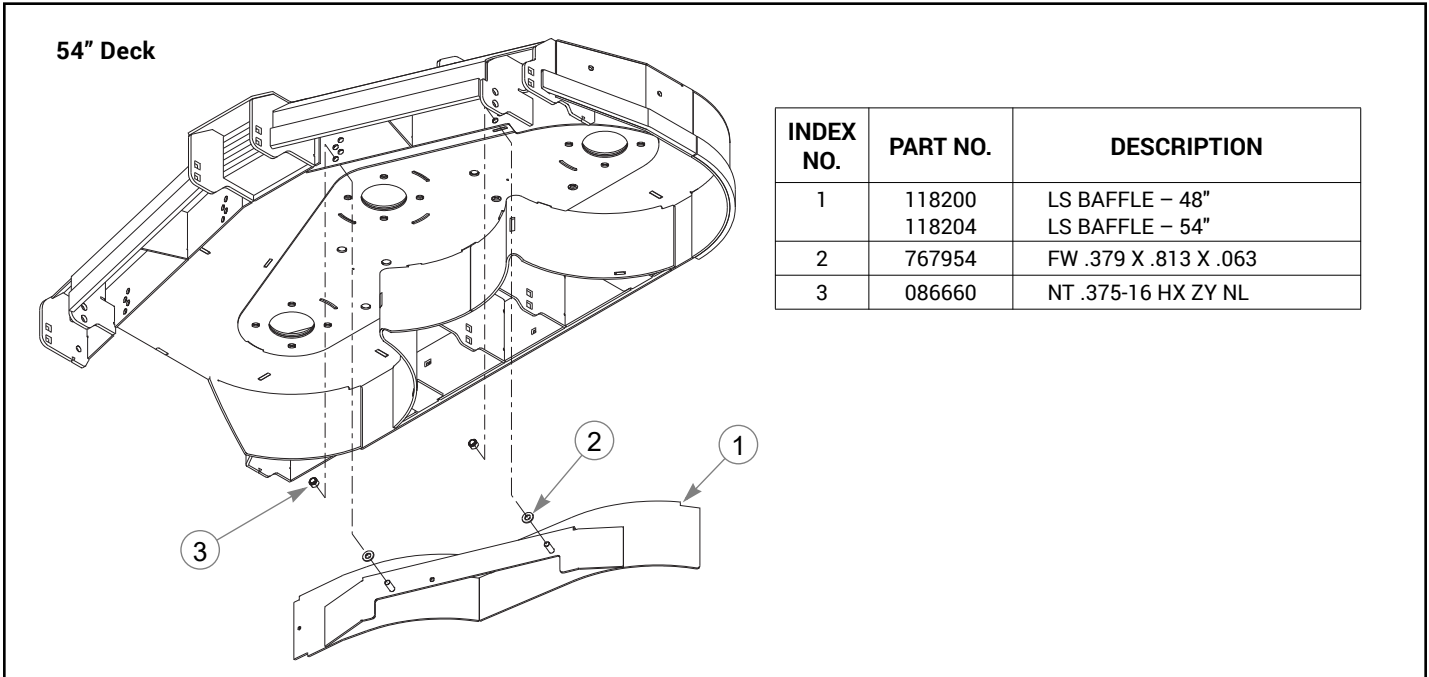


Figure 4-1

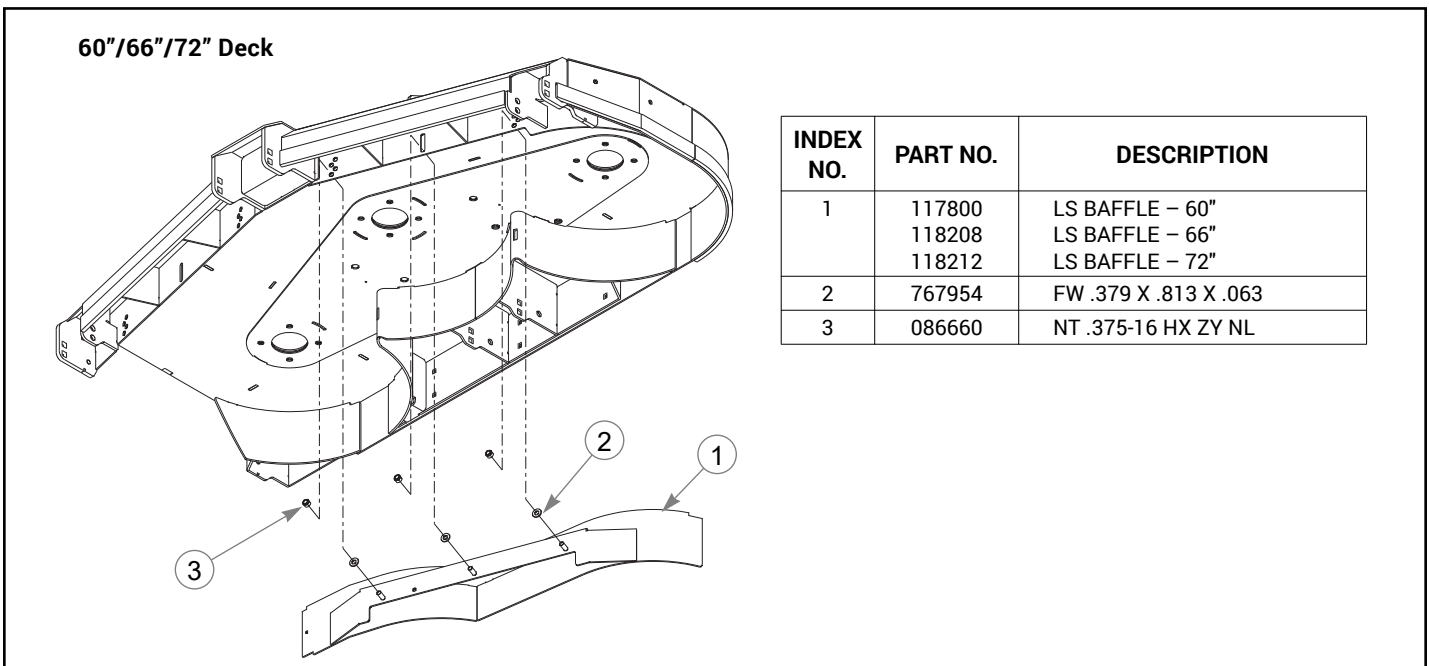


Figure 4-2

Unloading the Catcher

WARNING Park the unit on a level surface, disengage the deck clutch switch, place the steering control levers in the park brake position and shut the engine off. Remove the ignition key. Make certain the deck clutch switch is in the disengaged position before unloading.

Return the bags to the catcher assembly, making sure that the non-mesh side of the bag is towards the engine and close the catcher lid. Make sure the catcher lid is latched. Figure 4-3.

Get off the mower and unlatch the rubber draw latches. Raise the catcher lid, remove the bags and dump them. Figure 4-3

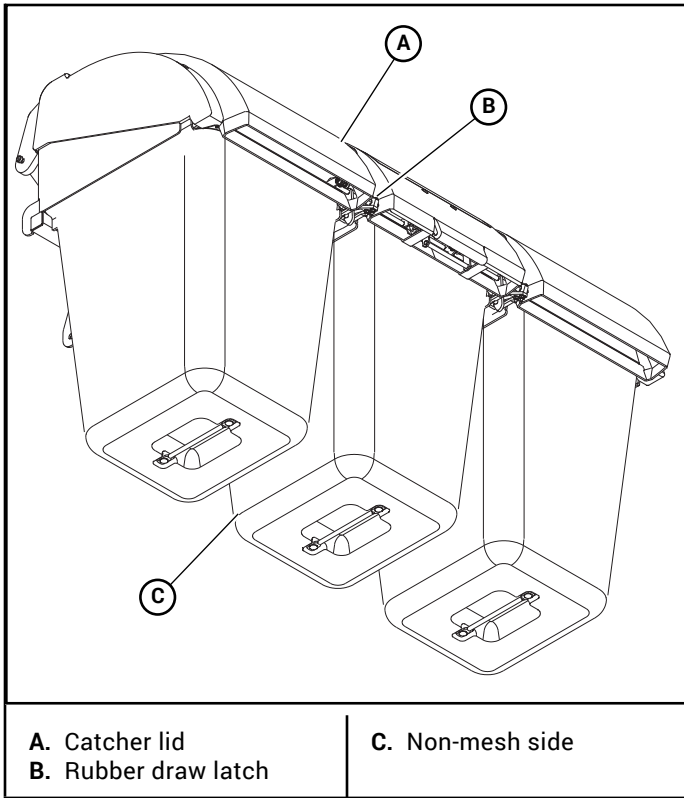


Figure 4-3

Converting to Side Discharge Mode

1. Before proceeding:
 - Park the mower on level ground.
 - Disengage the deck clutch.
 - Place the steering control levers in the park brake position.
 - Stop the engine.
 - Remove the ignition key.
 - Wait for the engine and all moving parts to come to a complete stop.
2. Remove the flex tube from the Catcher inlet tube and blower outlet tube. Figure 4-4
3. Remove the blower outlet tube from the blower assembly. Figure 4-4

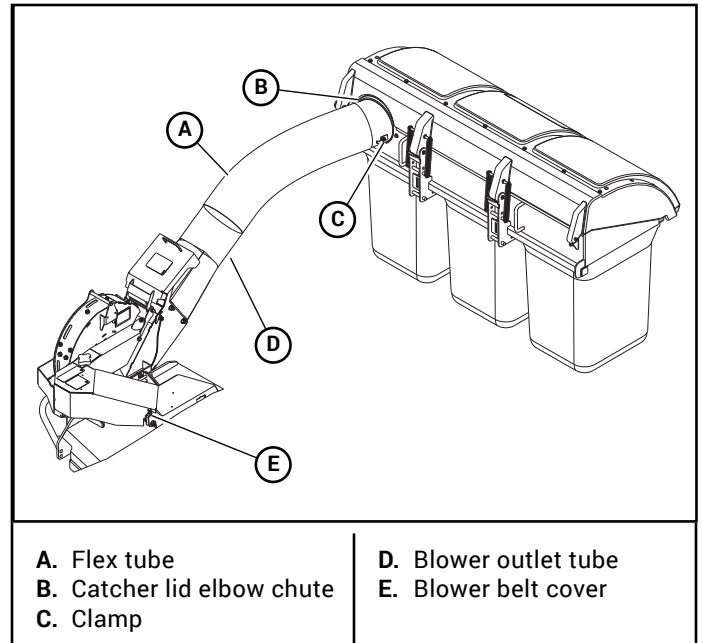


Figure 4-4

4. Remove the blower belt cover and deck belt cover from the deck. Figure 4-5, Figure 4-6, Figure 4-7, Figure 4-8 & Figure 4-9

BigDog® Diablo® MP 60" & 72" Decks

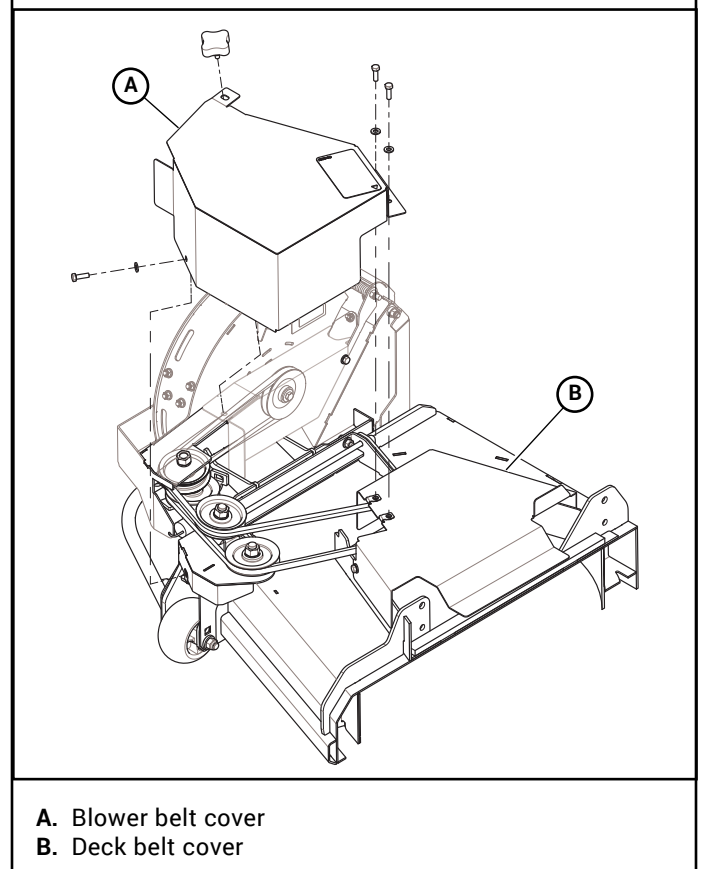
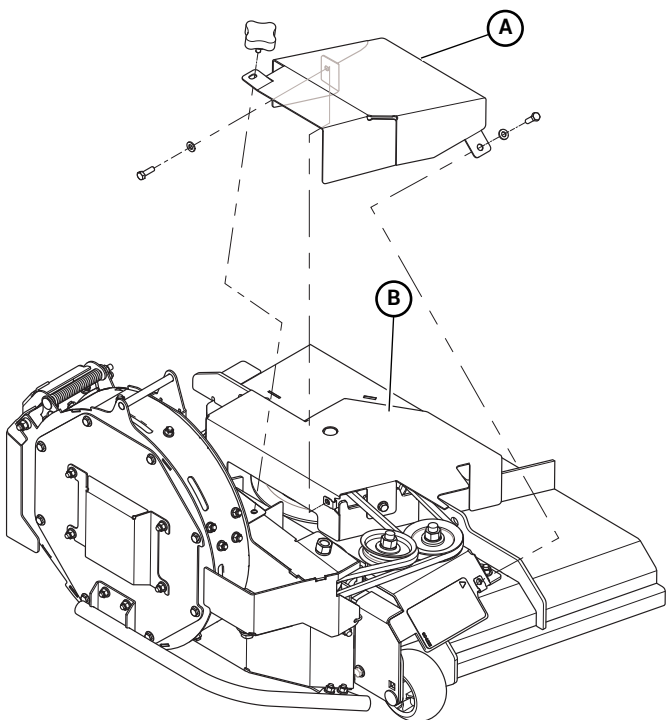


Figure 4-5

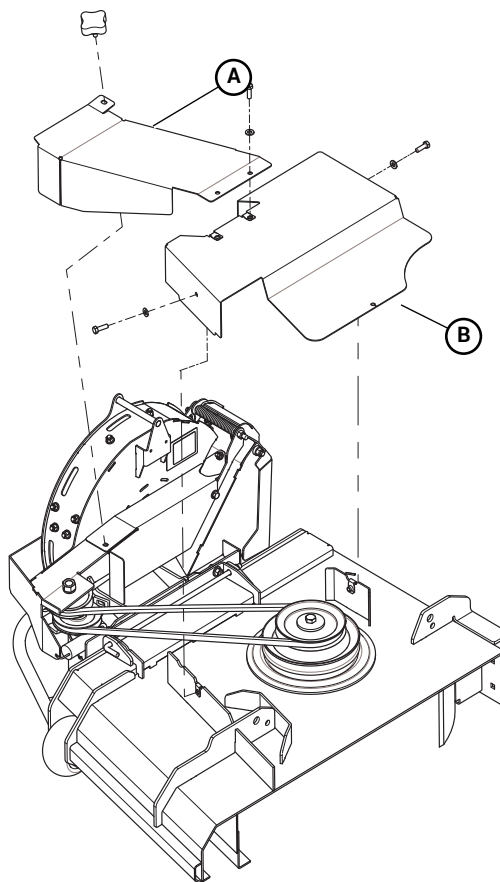
Super Z® 54"



- A. Blower belt cover
- B. Deck belt cover

Figure 4-6

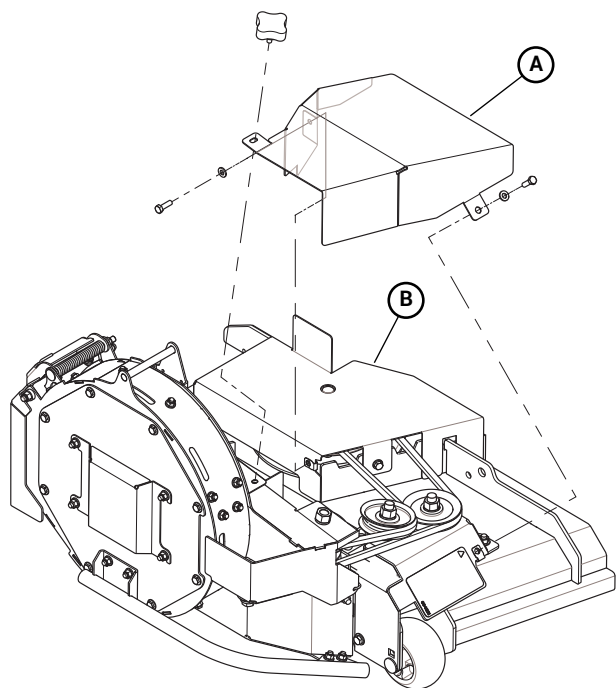
Super Z® 66"



- A. Blower belt cover
- B. Deck belt cover

Figure 4-8

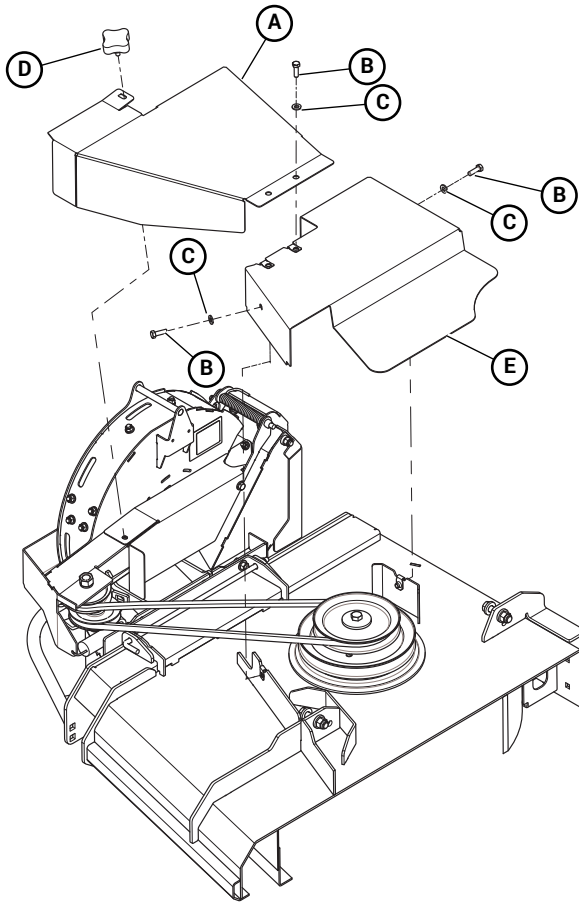
Super Z® 60"



- A. Blower belt cover
- B. Deck belt cover

Figure 4-7

Super Z® 72"



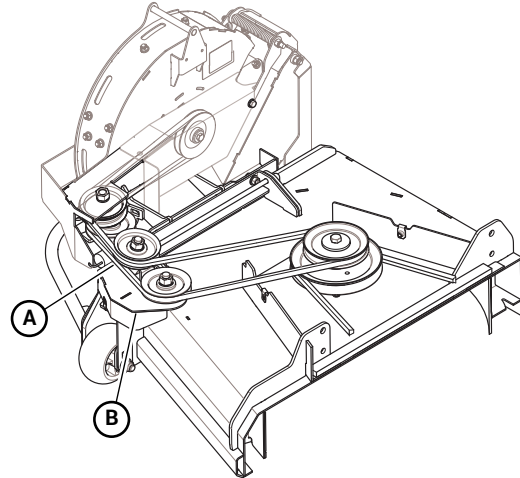
- A. Blower belt cover
- B. Deck belt cover

Figure 4-9

5. Release the tension from the blower drive belt and remove it. Figure 4-10 & Figure 4-11

NOTE: It is not necessary to remove the double pulley from the deck spindle or the double pulley mount assembly.

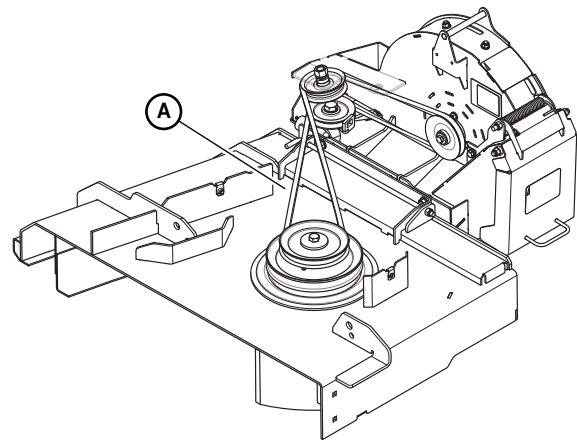
BigDog® Diablo® MP 60" & 72" / Hustler® Super Z® 54"/60"



- A. Blower belt
- B. Double pulley mount assembly

Figure 4-10

Hustler® Super Z® 66"/72"



- A. Blower belt

Figure 4-11

6. Remove the pin and nut that connects the blower assembly to the discharge chute bracket tabs and remove the blower assembly. Figure 4-12 & Figure 4-13

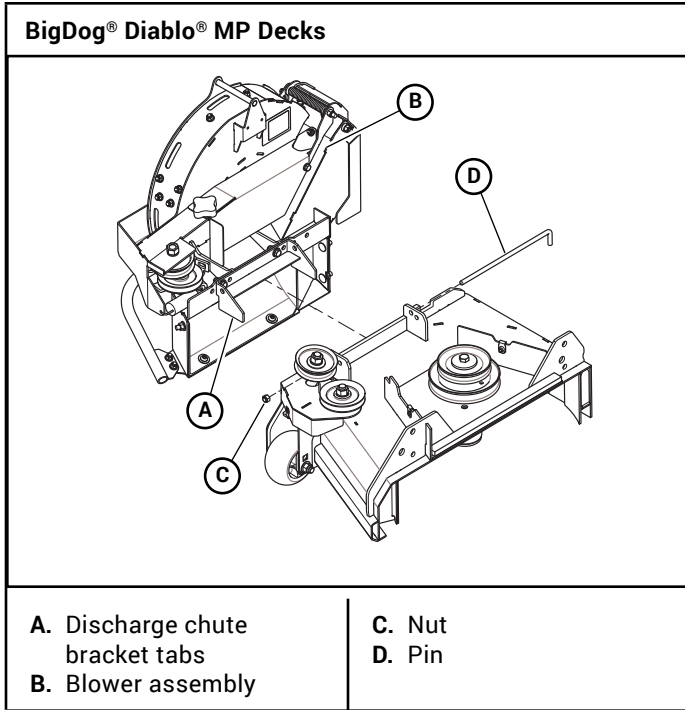


Figure 4-12

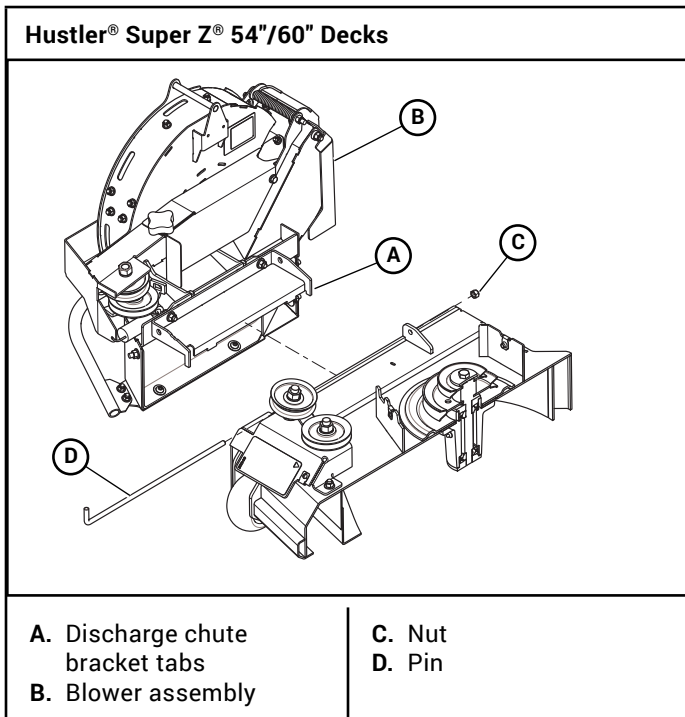


Figure 4-13

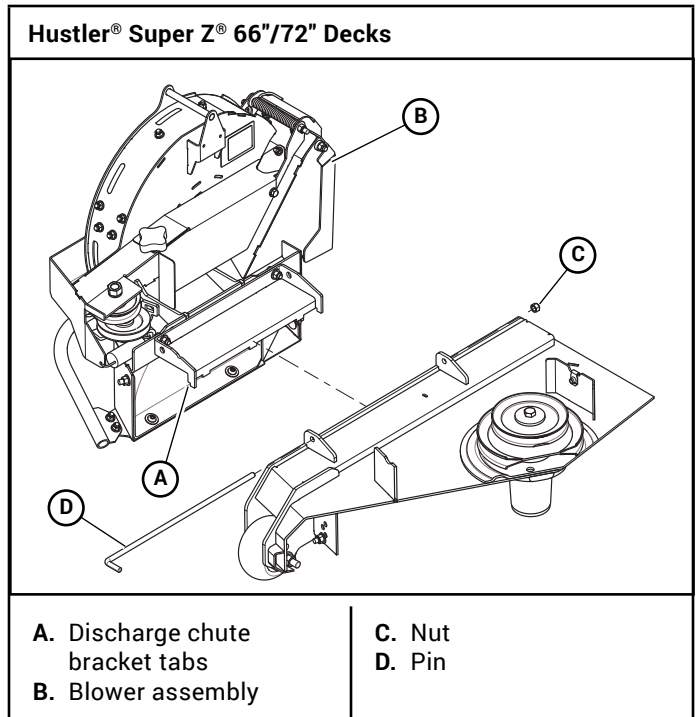


Figure 4-14

7. Remove the blower baffle. Figure 4-15

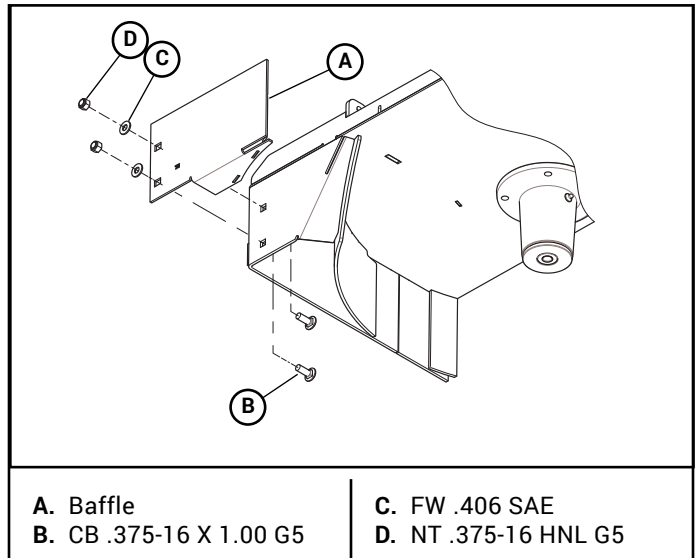


Figure 4-15

8. Assemble the torsion spring, original discharge chute pin, and nut to the bracket tabs. Make sure the torsion spring is assembled as shown so that it applies pressure to the discharge chute and keeps it in the down position.

NOTE: Depending on the deck, the pin will either be inserted from the front or the rear. Make sure to replace it in the proper orientation. Figure 4-16

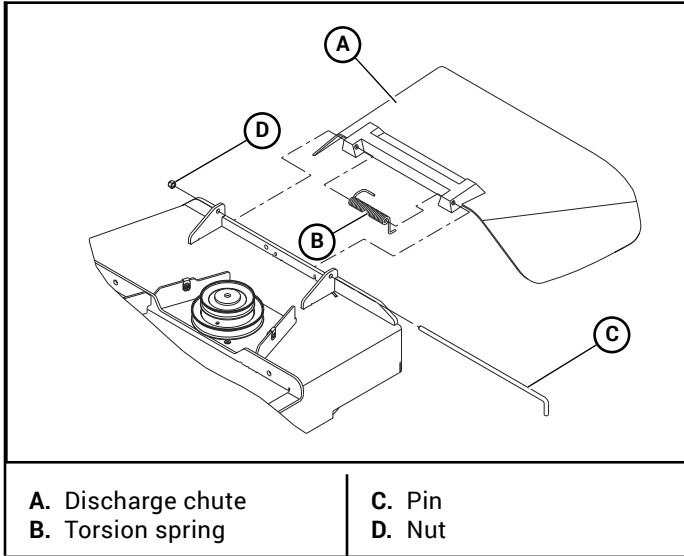


Figure 4-16

9. BigDog® MP decks & Hustler® Super Z® 66"/72" decks only – Attach the auxiliary cover to the deck belt cover. Figure 4-16 & Figure 4-17

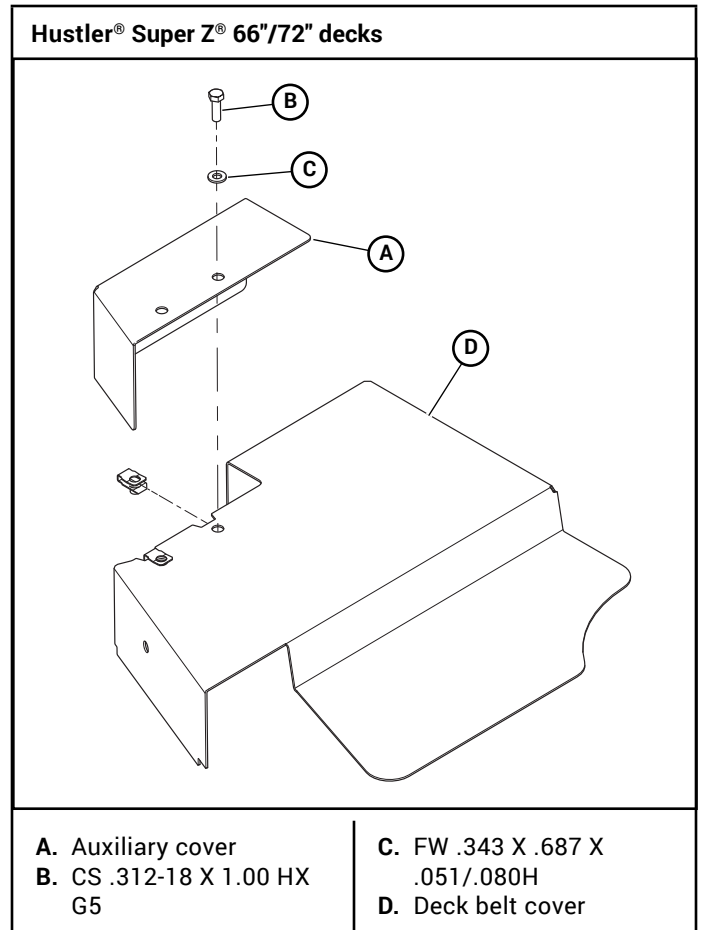


Figure 4-18

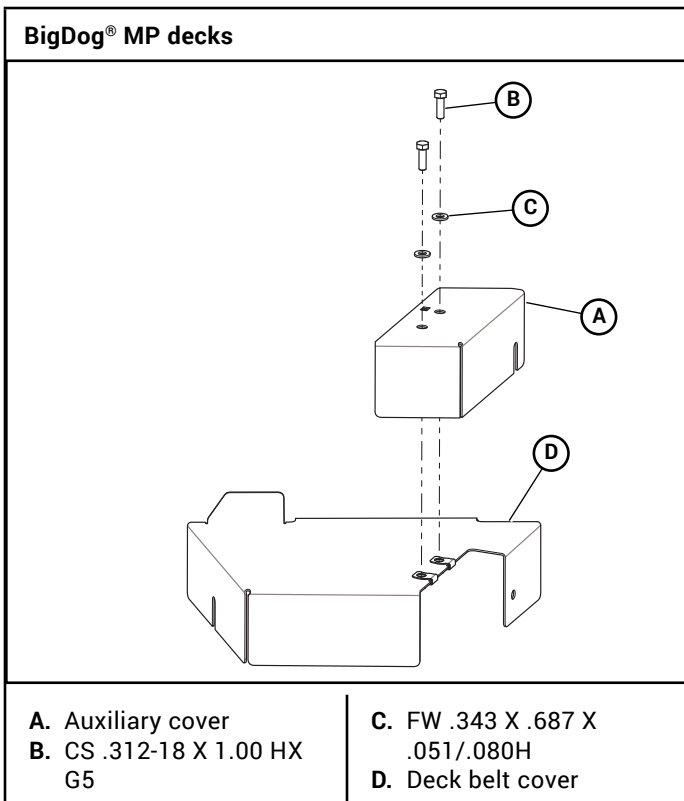


Figure 4-17

10. Attach the deck belt cover to the deck. Figure 4-19, Figure 4-20, Figure 4-21

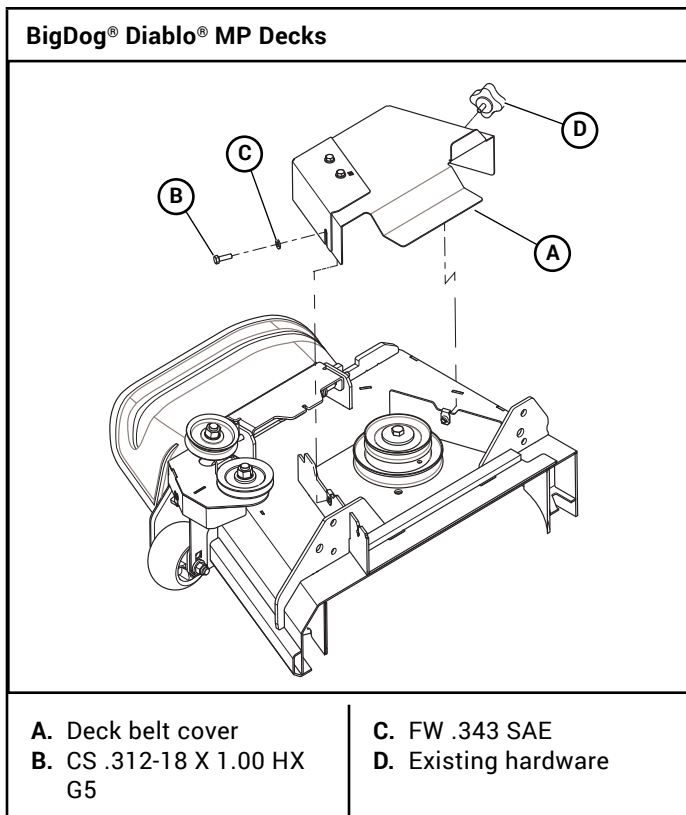


Figure 4-19

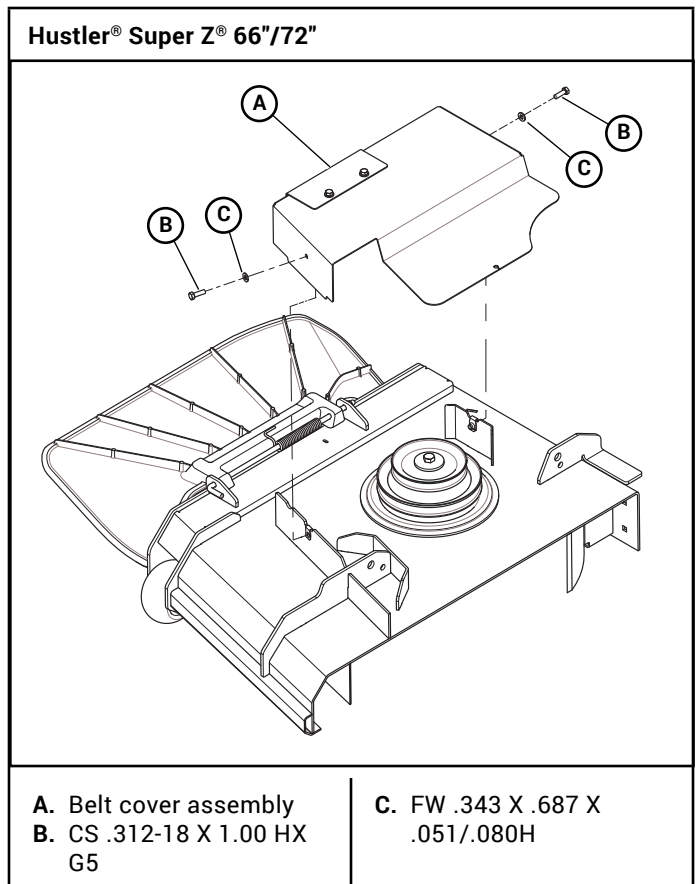


Figure 4-21

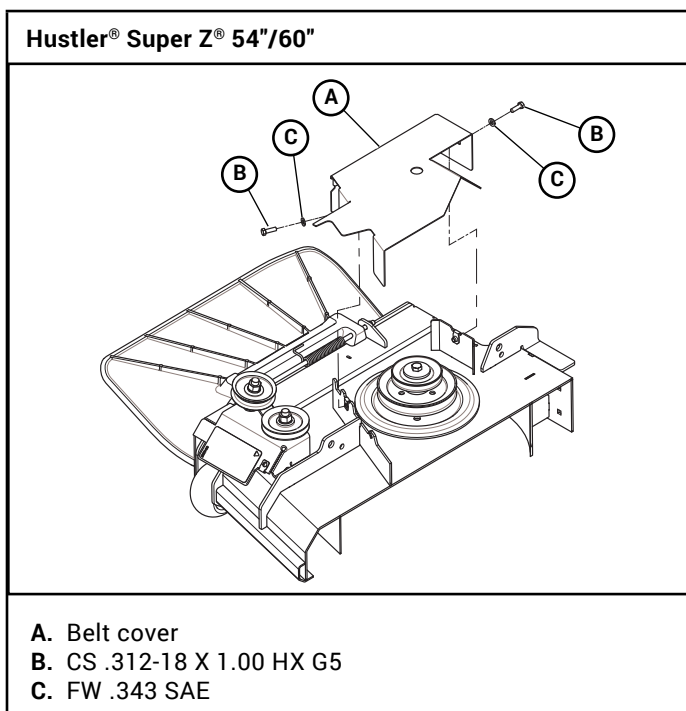


Figure 4-20

11. Remove the bags and lid assembly from the rear of the machine.

NOTE: It is not necessary to remove the catcher frame that is attached to the rear of the mower.

WARNING ⚠

Never operate the mower deck with side deflector damaged, altered, removed or in raised position, except when the entire grass catcher attachment or mulching system is being used.

WARNING ⚠

Always operate with complete catcher system, mulching system or side discharge chute in place and in the lowest position.

Removing the Lid Assembly

Use the following procedure when removing the lid assembly from the mower.

1. Lift the lid assembly slightly and push the release lever to release the latches. Figure 4-22 & Figure 4-23
2. Allow the lid assembly to pivot down.

3. Using the lift handles lift the lid assembly out of the notches on the mount assembly. Figure 4-23

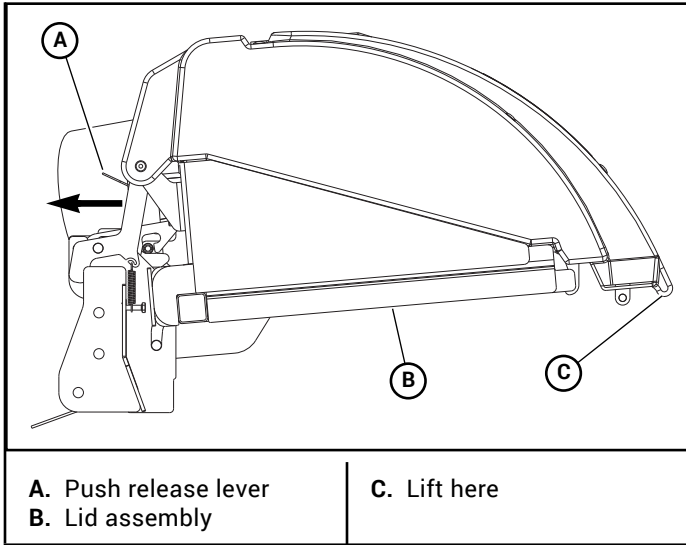


Figure 4-22

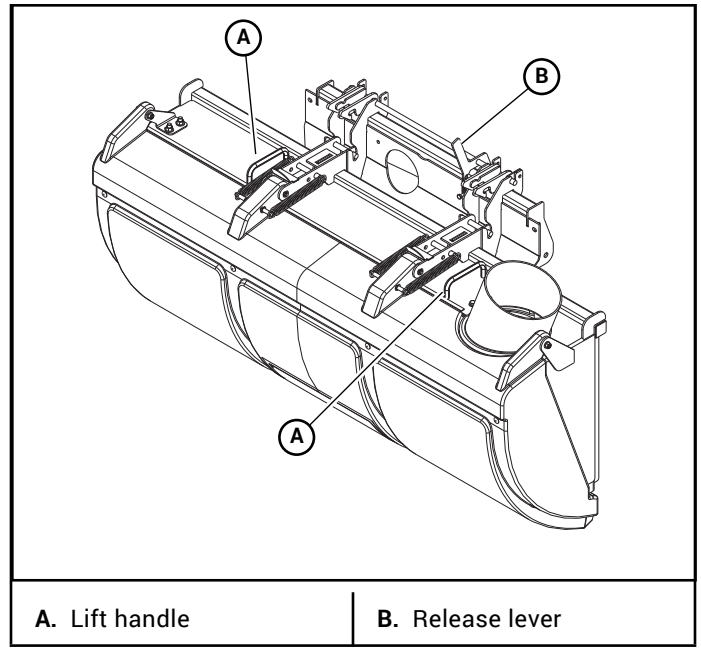


Figure 4-23

MAINTENANCE & STORAGE

Blower Housing and Flex Tube Maintenance

WARNING

Never work on the blower assembly or mower deck when the engine is running.

WARNING

Clean flammable material from the machine. Prevent fires by keeping the engine compartment, top of the deck, exhaust area, battery, hydraulic lines, fuel line, fuel tank and operator's station clean of accumulated trash, grass clippings, and other debris. Always clean up spilled fuel and oil.

The blower assembly, flex tube and blower outlet tube (Figure 5-1) should be kept clean and free of any accumulation of clippings or other obstructions. Occasional clogging may also occur when working in heavy or wet grass.

WARNING

Never place hands or feet into the blower chute. There is an impeller located inside the housing that will cause severe injury. Use a probe to clear debris from blower chute.

WARNING

Never operate the mower deck with side deflector damaged, altered, removed or in raised position, except when the entire grass catcher attachment or mulching system is being used.

WARNING

Prevent objects being thrown and the accumulation of grass clippings and other debris in the engine compartment by NEVER operating the mower deck unless:

- All bags are installed.
- Hood is lowered and latched.
- Flex tube is in place on the blower chute and on the catcher lid elbow chute and clamped.

To service the blower housing, remove the blower belt cover from the top of the deck and blower housing.

To service the flex tube, remove the tube from the unit. The tube can be cleaned by using soapy water and washing the inside of the tube with a pressure washer. Rinse with water.

To clean the bags, hand wash with soap and water; rinse with clean water.

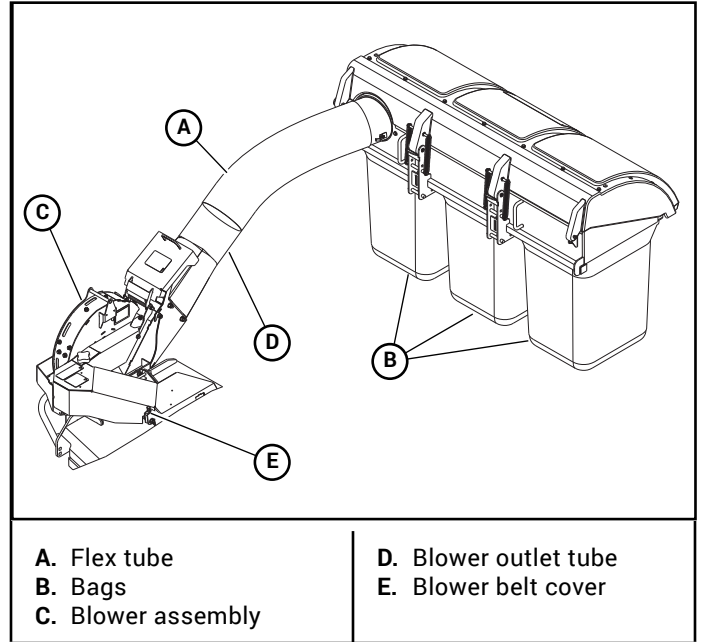


Figure 5-1

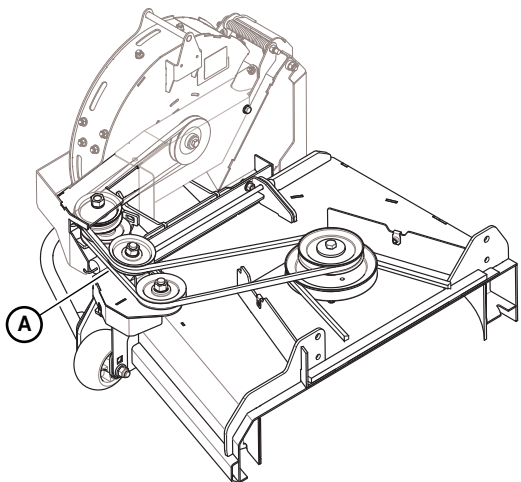
Blower Drive Belt

The blower drive belt (Figure 5-2 & Figure 5-3) is located under the blower belt cover. This belt is spring tensioned and should not need adjustment.

To inspect or replace the belt, remove the blower belt cover from the top of the deck and the blower housing.

NOTE: When belt replacement becomes necessary, check the condition of the pulleys. Clean the grooves and check for excessive wear. A new belt should not run against the bottom of groove. If it does bottom out, the pulley needs replacing.

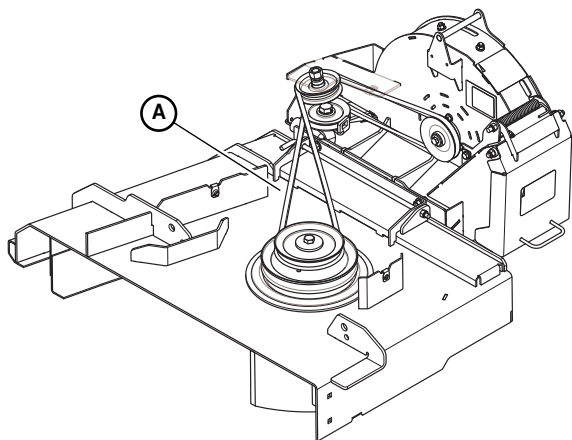
BigDog® Diablo® MP 60" & 72" / Hustler® Super Z® 54"/60"



A. Blower belt

Figure 5-2

Hustler® Super Z® 66"/72"



A. Blower belt

Figure 5-3

Blower Impeller

The blower impeller shaft bearings do not require lubrication.



WARNING

Normal wear can cause the impeller and edges of the blower to become sharp. Wear gloves and use caution when servicing the blower.

Storage

When your mower is to sit idle for a period of time, scrape and remove the grass material from inside the hood and clean the bags.

Check for loose or missing hardware, tighten or replace. Also check for badly worn or damaged parts, consider replacing them at this time. Touch up chipped paint areas; your dealer has aerosol spray paint available.

EXCEL

INDUSTRIES

3-Bag Catcher Warranty Policy

Excel Industries, Inc. makes the following warranty to the **original purchaser** only:

- a. Excel Industries, Inc. attachments and accessories are warranted for **one (1) year (parts and labor) from date of delivery** on all materials and workmanship. If the Purchaser discovers within this warranty period a defect in materials or workmanship:
 - Purchaser must promptly notify an authorized dealer of the defect. In no event shall such notification be

received by an authorized dealer later than **thirteen (13) months** from date of delivery.

- Within a reasonable time after such notification, Excel Industries, Inc. will correct any defect in material or workmanship on the Excel Industries, Inc. attachments and accessories, by repairing or replacing part(s) with either new or used replacement parts.
- Such repair, including parts and labor shall be at the expense of Excel Industries, Inc.

General Information

Who Must Perform The Warranty Service

All warranty service will be performed by Excel Industries, Inc. or authorized dealers. **Service calls and/or transportation expense** of the product to and from the authorized dealer, for warranty work, will be paid by the owner of the product. For warranty service contact an authorized dealer.

What Is Not Covered By This Warranty

Excel Industries, Inc. does not warranty:

- Improper or incorrectly performed maintenance or repair by unauthorized persons that causes damages to the equipment.
- Damage caused by use of the Excel Industries, Inc. turf equipment for purposes other than those for which it was designed.
- Damages caused by disasters such as fire, flood, wind, and lightning.
- Damages caused by neglect, abuse, abnormal use, improper or unreasonable use, accident, negligence or misuse.
- Repairs or replacement from damage resulting from the use of unauthorized accessories or attachments.
- Using replacement parts that are neither approved by Manufacturer nor are equivalent in overall performance. Damage caused by unauthorized replacement parts is not covered by this warranty. Manufacturer expressly excludes liability for defects or damage caused by such 'unauthorized' articles or service.
- Damage caused by foam filled or solid filled tires.
- Repairs or replacement as the result of alterations or modifications.
- Excel Industries, Inc. turf equipment which has the serial number removed or made illegible.
- Depreciation or damage caused by normal wear, lack of reasonable and proper maintenance, failure to fol-

low the product's operator's manual operating, maintenance and adjustment instructions or other operational instructions provided by Excel Industries, Inc.

- Normal maintenance parts and service including, but not limited to, lubricants, belts, blades, blade sharpening, or bearings.

Disclaimer Of Warranty

THE FOREGOING WARRANTIES ARE IN LIEU OF ALL OTHER WARRANTIES, EXPRESSED OR IMPLIED, INCLUDING BUT NOT LIMITED TO THE IMPLIED WARRANTIES OF MERCHANTABILITY AND FITNESS FOR A PARTICULAR PURPOSE. However, if the EXCEL INDUSTRIES, INC. attachment or accessory is purchased as a consumer product, any implied warranty of merchantability or fitness for a particular purpose is limited to the duration of this limited warranty.

Some states do not allow limitations on how long an implied warranty lasts, so the above limitation may not apply to you. This warranty gives you specific legal rights, and you may also have other rights which vary from state to state.

Limitations Of Warranties

IN NO CASE SHALL EXCEL INDUSTRIES, INC., OR ITS AFFILIATES, BE LIABLE FOR ANY SPECIAL, INCIDENTAL, OR CONSEQUENTIAL DAMAGES BASED UPON BREACH OF WARRANTY, BREACH OF CONTRACT, NEGLIGENCE, STRICT LIABILITY IN TORT, OR ANY OTHER LEGAL THEORY.

Such damages include, but are not limited to:

- Loss of profits
- Loss of savings or revenue
- Loss of use of Excel Industries, Inc. turf equipment or any associated equipment
- Cost of capital
- Cost of any substitute equipment, facilities, services or downtime

- The claims of third parties including customers, and injury to property

Some states do not allow the exclusion or limitation of incidental or consequential damages, so the above limitation or exclusion may not apply to you.

No Other Warranties

Unless modified in writing, signed by both parties, and approved by the President of Excel Industries, Inc., this agreement is understood to be the complete and exclusive agreement between the parties, superseding all prior agreements, oral or written, and all other communications between the parties relating to the subject matter of this agreement. No employee of Excel Industries, Inc., or any other party is authorized to make any warranty in addition to those made in this agreement.

Allocation Of Risks

This agreement allocates the risks of product failure between Excel Industries, Inc. on the one hand and the purchaser on the other. This allocation is recognized by both parties and is reflected in the price of the goods.

Owner's Responsibility

You must maintain your Excel Industries, Inc. product

following the maintenance procedures described in your operator's manual. Such routine maintenance, whether performed by a dealer or by you, is at your expense.

This attachment or accessory like any other equipment is potentially dangerous unless properly operated. Any operator **must** be cautious and keep safety in mind at all times. Any operator, prior to using the Excel Industries, Inc. turf equipment, should thoroughly familiarize himself with the operator's manual regarding operation and safety of the machine, as well as all safety warnings on the machine itself.

Warranty Registration

- **Hustler® Dealers must** register the attachment on-line at <https://dealer.hustlerturf.com> within **ten (10) days** following date of purchase.
- **BigDog® Dealers must** register the attachment on-line at <http://excel.warrantysmart.arinet.com> within **ten (10) days** following date of purchase.
- The date of purchase constitutes delivery.
 - Failure to register the attachment may void the warranty.

Australia Special Information

The following information is for Australian consumers only.

The benefits to the consumer given by this warranty are in addition to other rights and remedies of the consumer under a law in relation to the goods or services to which this warranty relates.

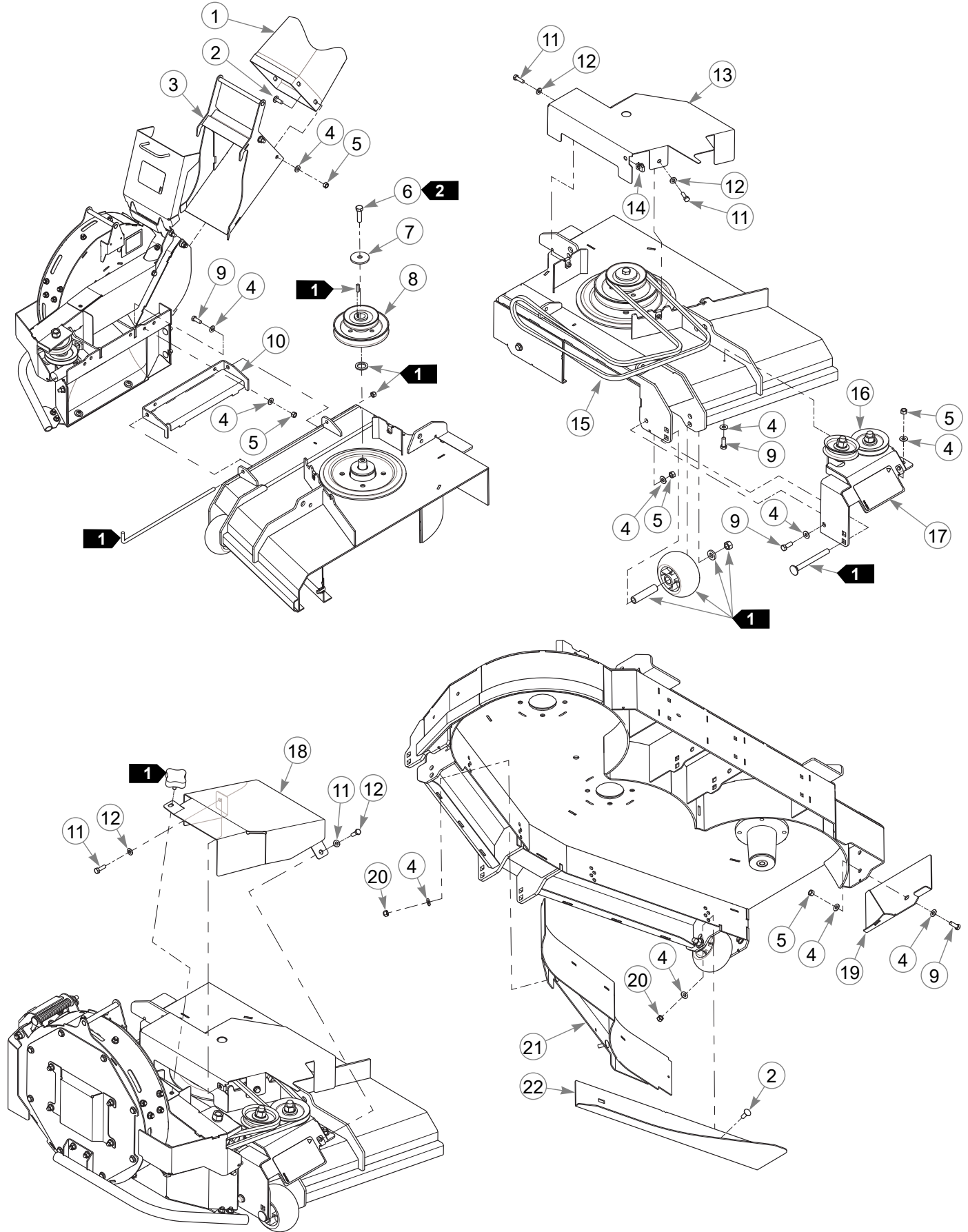
Our goods come with guarantees that cannot be excluded under the Australian consumer law. You are entitled to a replacement or refund for a major failure and for compensation for any reasonable foreseeable loss or damage. You are also entitled to have the goods repaired or replaced if the goods fail to be of acceptable quality and the failure does not amount to a major failure.

**Powerup Lawncare Products
11 Sodium St.
Narangba, Qld 4504
Telephone 1300 363 027**

Parts List

123778—Hustler 54" Deck Adapter.	7-2
123779—Hustler 60" Deck Adapter.	7-4
123464—BigDog Diablo MP 60" Deck Adapter.	7-6
123780—Hustler 66" Deck Adapter.	7-8
123781—Hustler 72" Deck Adapter.	7-10
123465—BigDog Diablo MP 72" Deck Adapter.	7-12
Blower	7-14
Catcher Frame.	7-20
Catcher Weight Mount.	7-24
Frame Adapter.	7-26
Catcher Bag & Flex Tube	7-28

123778—Hustler 54" Deck Adapter



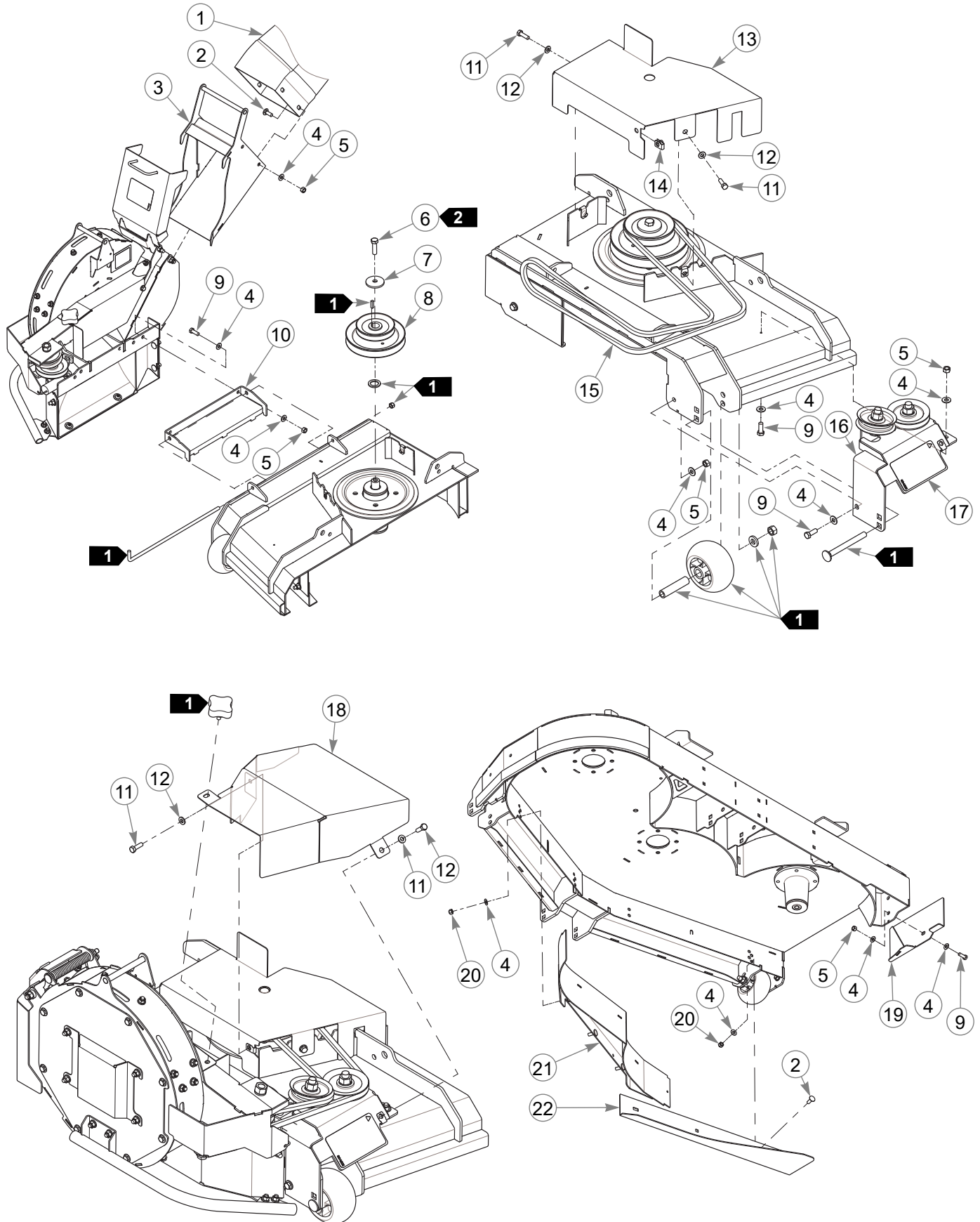
123778—Hustler 54" Deck Adapter

INDEX NO.	PART NO.	QTY.	DESCRIPTION
1	603213	1	BLOWER CHUTE
2	025395	6	CB .375-16 X 1.00 G5 ZNY
3	114066	1	OUTLET ADAPTER
4	767954	16	FW .379 X .813 X .063
5	054502	9	NT .375-16 HX G5 ZNY
6	017616	1	CS .500-13 X 1.75 HX G5
7	752386	1	CW .550 X 2.25 X .305 BLK
8	605832	1	DOUBLE DRIVE PULLEY
9	036244	5	CS .375-16 X 1.00 HX G5
10	124326-3	1	BLOWER MOUNT
11	036236	4	CS .312-18 X 1.00 HX G5
12	768523	4	FW .343 X .687 X .051/.080H
13	124339-3	1	DECK COVER
14	601069	1	CN .312-18 X .20 MAX THK
15	601786	1	BELT, A 89.50" EL
16	554510	1	PULLEY MOUNT
17	604221	1	DANGER/ CHUTE DECAL
18	124340-3	1	BELT COVER BRACKET
19	114071	1	BLOWER BAFFLE
20	086660	4	NT .375-16 HX G5 ZY NL
21	118204	1	RS BLOWER BAFFLE
22	114360	1	LS BLOWER BAFFLE

NOTES:

1. Existing hardware.
2. Torque to 65–75 ft–lbs.

123779—Hustler 60" Deck Adapter



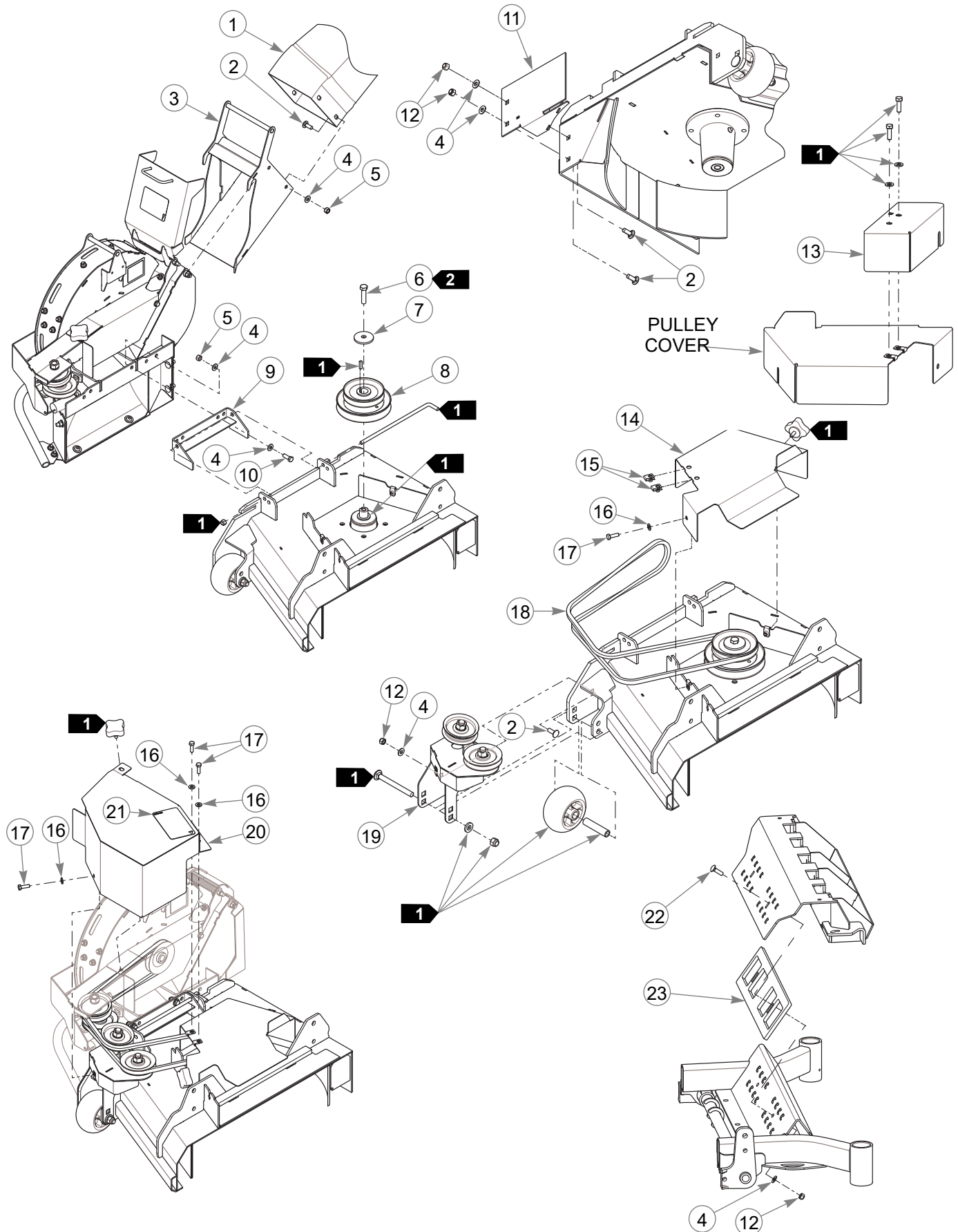
123779—Hustler 60" Deck Adapter

INDEX NO.	PART NO.	QTY.	DESCRIPTION
1	603324	1	BLOWER CHUTE
2	025395	7	CB .375-16 X 1.00 G5 ZNY
3	114066	1	OUTLET ADAPTER
4	767954	16	FW .379 X .813 X .063
5	054502	7	NT .375-16 HX G5 ZNY
6	017616	1	CS .500-13 X 1.75 HX G5
7	752386	1	CW .550 X 2.25 X .305 BLK
8	602914	1	DOUBLE DRIVE PULLEY
9	036244	5	CS .375-16 X 1.00 HX G5
10	124329-3	1	BLOWER MOUNT
11	036236	4	CS .312-18 X 1.00 HX G5
12	768523	4	FW .343 X .687 X .051/.080H
13	124341-3	1	DECK COVER
14	601069	1	CN .312-18 X .20 MAX THK
15	603745	1	BELT, A-SECTION 93.1" EL
16	554510	1	PULLEY MOUNT
17	604221	1	DANGER/ CHUTE DECAL
18	124342-3	1	BELT COVER
19	113127	1	BLOWER BAFFLE
20	086660	6	NT .375-16 HX G5 ZY NL
21	117800	1	LS BLOWER BAFFLE
22	114361	1	RS BLOWER BAFFLE

NOTES:

1. Existing hardware.
2. Torque to 65–75 ft–lbs.

123464—BigDog Diablo MP 60" Deck Adapter



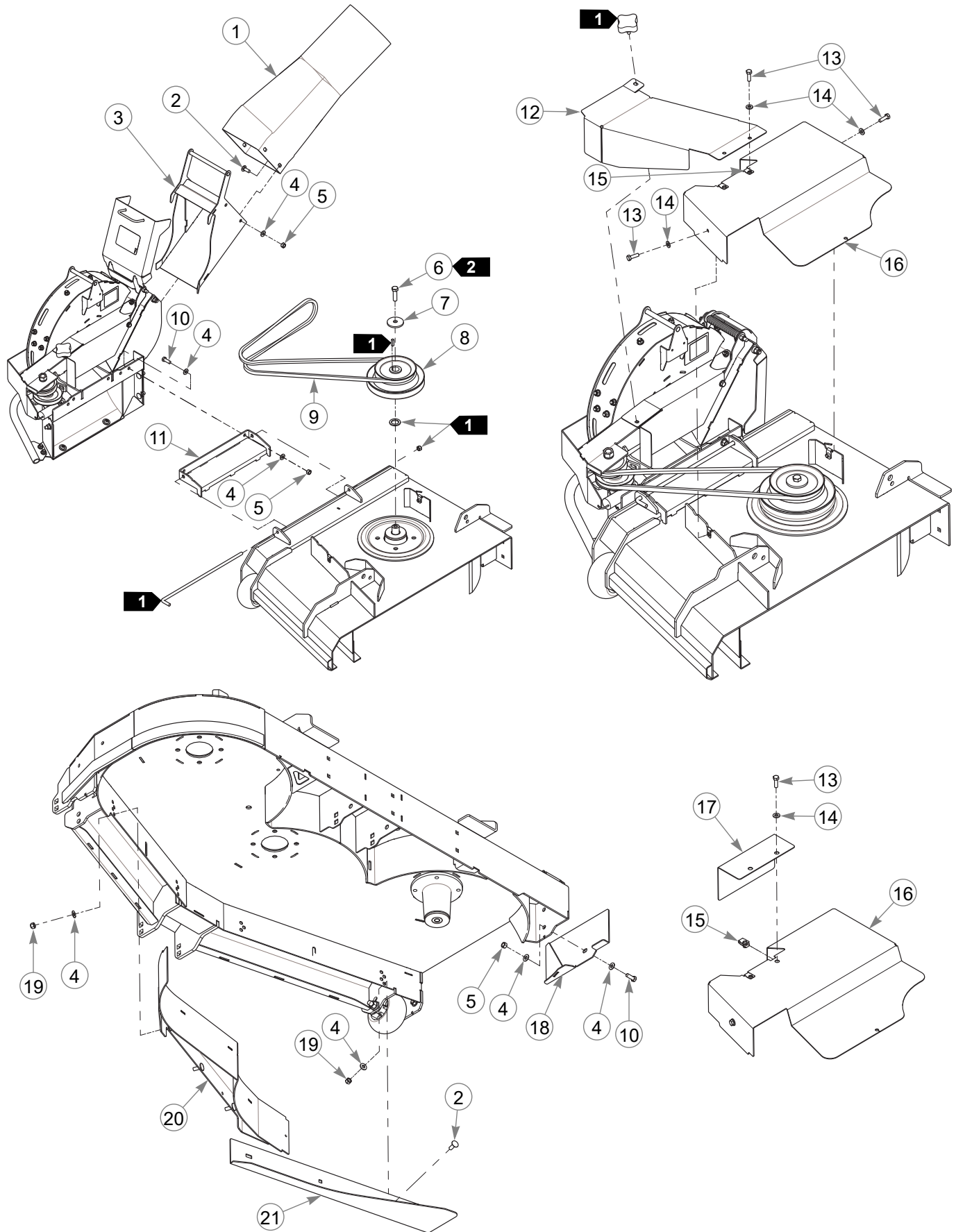
123464—BigDog Diablo MP 60" Deck Adapter

INDEX NO.	PART NO.	QTY.	DESCRIPTION
1	603324	1	BLOWER CHUTE
2	025395	7	CB .375-16 X 1.00 G5 ZNY
3	114066	1	OUTLET ADAPTER
4	767954	20	FW .379 X .813 X .063
5	054502	6	NT .375-16 HX G5 ZNY
6	078949	1	CS .500-13 X 2.00 HX G5 ZNY
7	752386	1	CW .550 X 2.25 X .305 BLK
8	603311	1	DOUBLE DRIVE PULLEY
9	123316	1	BLOWER MOUNT
10	036244	2	CS .375-16 X 1.00 HX G5
11	123331	1	60" BAFFLE
12	086660	3	NT .375-16 HX G5 ZY NL
13	123191	1	60" COVER
14	123466	1	60" PULLEY COVER
15	601069	2	CN .312-18 X .20 MAX THK
16	768523	4	FW .343 X .687 X .051/.080H
17	036236	4	CS .312-18 X 1.00 HX G5
18	606437	1	BELT, 86.0" A-SEC
19	N/A	1	60" PULLEY MOUNT ASSY
20	553820	1	60" PULLEY COVER
21	604221	1	DANGER/ CHUTE DECAL
22	603113	2	CB .375-16 X 1.250 G5 ZNC
23	124347-3	1	WEIGHT

NOTES:

1. Existing hardware.
2. Torque to 65–75 ft–lbs.

123780—Hustler 66" Deck Adapter



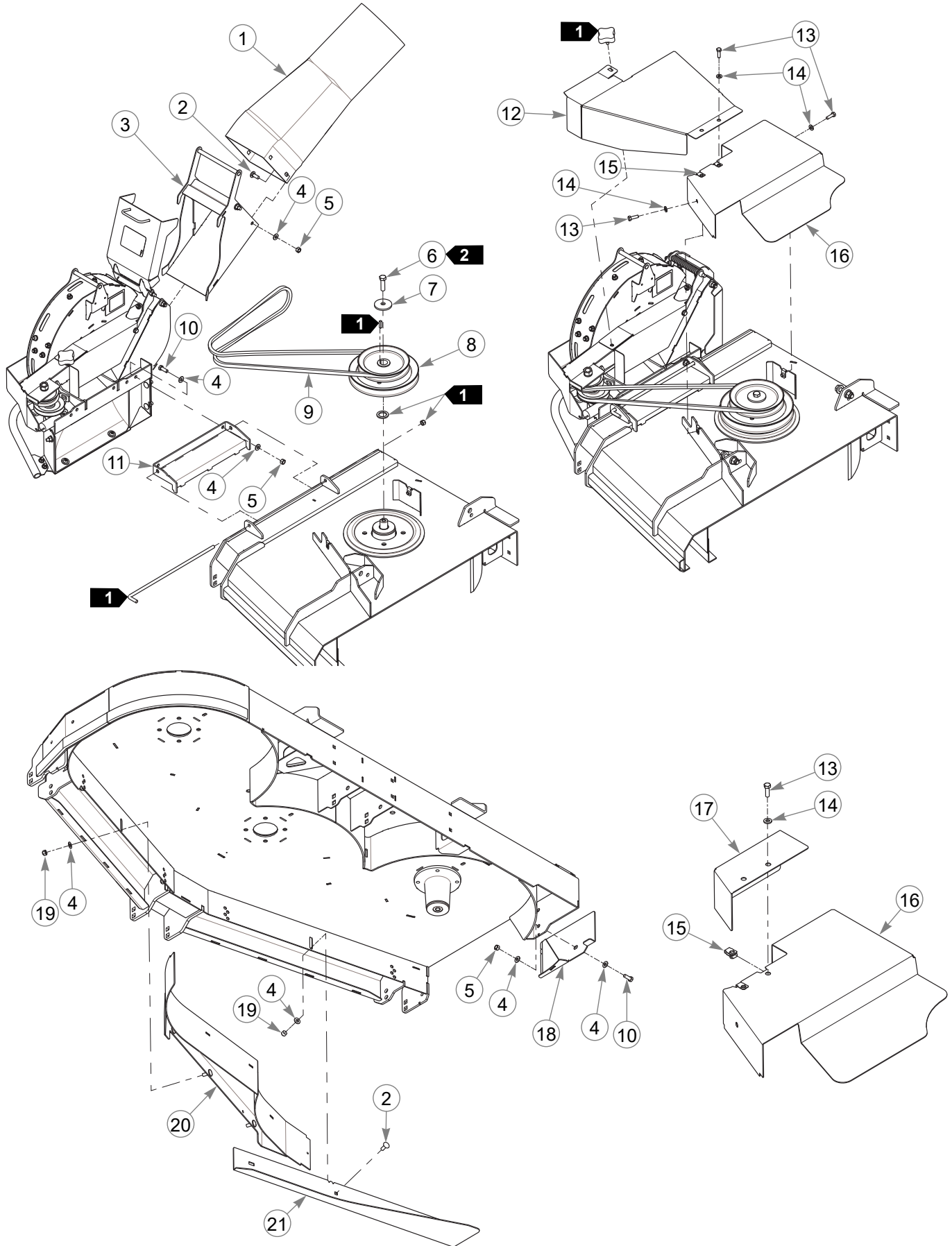
123780—Hustler 66" Deck Adapter

INDEX NO.	PART NO.	QTY.	DESCRIPTION
1	603324	1	BLOWER CHUTE
2	025395	7	CB .375-16 X 1.00 G5 ZNY
3	114066	1	OUTLET ADAPTER
4	767954	16	FW .379 X .813 X .063
5	054502	7	NT .375-16 HX G5 ZNY
6	017616	1	CS .500-13 X 1.75 HX G5
7	752386	1	CW .550 X 2.25 X .305 BLK
8	603312	1	DOUBLE DRIVE PULLEY
9	602997	1	BELT 86" HA-SEC
10	036244	3	CS .375-16 X 1.00 HX G5
11	124329-3	1	BLOWER MOUNT
12	124344-3	1	BELT COVER
13	036236	4	CS .312-18 X 1.00 HX G5
14	768523	4	FW .343 X .687 X .051/.080H
15	601069	1	CN .312-18 X .20 MAX THK
16	124343-3	1	DECK COVER
17	124349-3	1	AUXILIARY COVER
18	114074	1	BLOWER BAFFLE
19	086660	6	NT .375-16 HX G5 ZY NL
20	118208	1	LS BLOWER BAFFLE
21	114362	1	RS BLOWER BAFFLE

NOTES:

1. Existing hardware.
2. Torque to 65–75 ft–lbs.

123781—Hustler 72" Deck Adapter



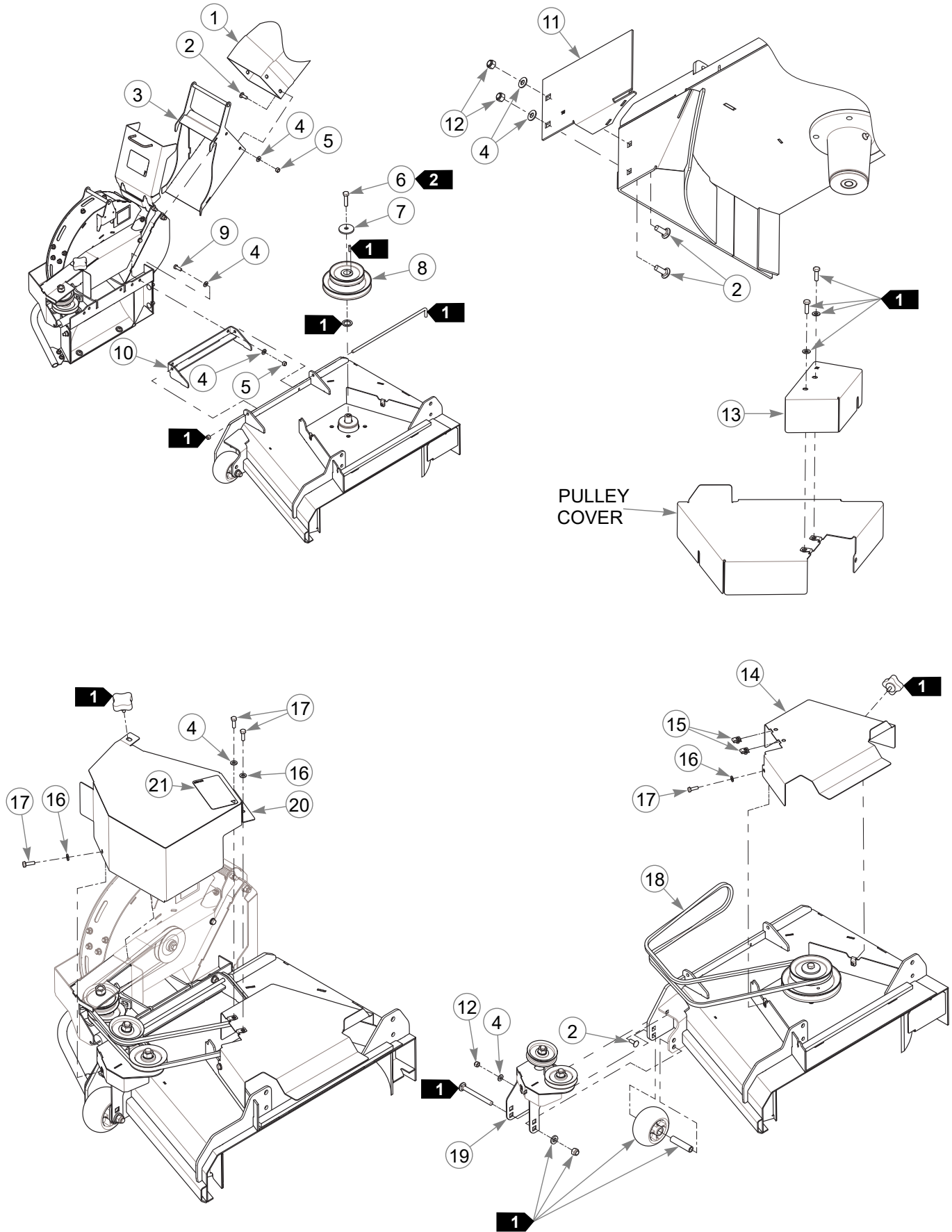
123781—Hustler 72" Deck Adapter

INDEX NO.	PART NO.	QTY.	DESCRIPTION
1	603324	1	BLOWER CHUTE
2	025395	7	CB .375-16 X 1.00 G5 ZNY
3	114066	1	OUTLET ADAPTER
4	767954	16	FW .379 X .813 X .063
5	054502	7	NT .375-16 HX G5 ZNY
6	017616	1	CS .500-13 X 1.75 HX G5
7	752386	1	CW .550 X 2.25 X .305 BLK
8	603313	1	DOUBLE DRIVE PULLEY
9	602998	1	BELT A 89" EL
10	036244	3	CS .375-16 X 1.00 HX G5
11	124329-3	1	BLOWER MOUNT
12	124346-3	1	BELT COVER
13	036236	4	CS .312-18 X 1.00 HX G5
14	768523	4	FW .343 X .687 X .051/.080H
15	601069	1	CN .312-18 X .20 MAX THK
16	124345-3	1	DECK COVER
17	124350-3	1	AUXILIARY COVER
18	114077	1	BLOWER BAFFLE
19	086660	6	NT .375-16 HX G5 ZY NL
20	118212	1	LS BLOWER BAFFLE
21	114363	1	RS BLOWER BAFFLE

NOTES:

1. Existing hardware.
2. Torque to 65–75 ft–lbs.

123465—BigDog Diablo MP 72" Deck Adapter



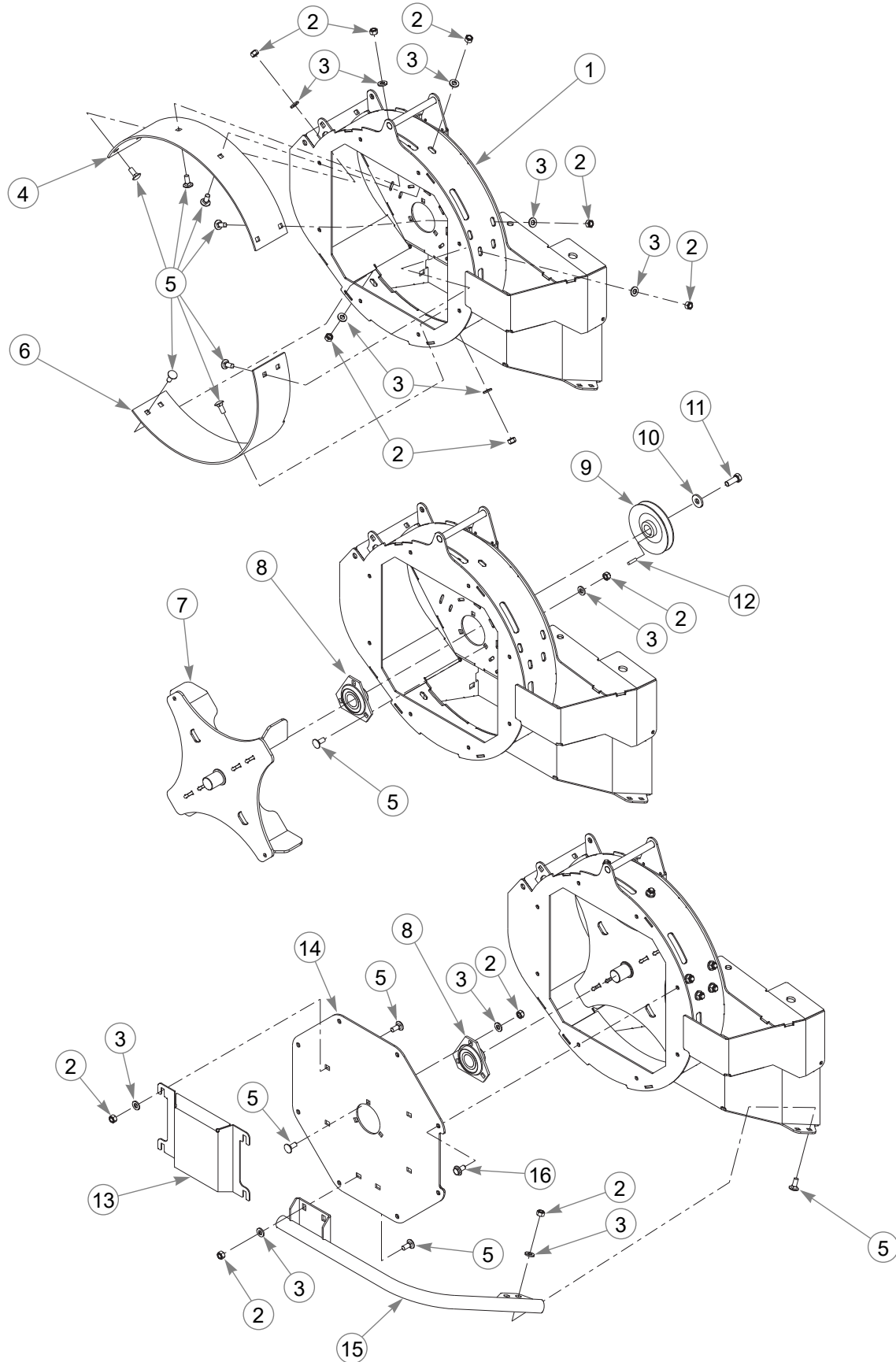
123465—BigDog Diablo MP 72" Deck Adapter

INDEX NO.	PART NO.	QTY.	DESCRIPTION
1	603324	1	BLOWER CHUTE
2	025395	7	CB .375-16 X 1.00 G5 ZNY
3	114066	1	OUTLET ADAPTER
4	767954	20	FW .379 X .813 X .063
5	054502	6	NT .375-16 HX G5 ZNY
6	078949	1	CS .500-13 X 2.00 HX G5 ZNY
7	752386	1	CW .550 X 2.25 X .305 BLK
8	603311	1	DOUBLE DRIVE PULLEY
9	036244	2	CS .375-16 X 1.00 HX G5
10	113118	1	BLOWER MOUNT
11	123334	1	72" BAFFLE
12	086660	3	NT .375-16 HX G5 ZY NL
13	123192	1	72" COVER
14	123467	1	72" PULLEY COVER
15	601069	2	CN .312-18 X .20 MAX THK
16	768523	4	FW .343 X .687 X .051/.080H
17	036236	4	CS .312-18 X 1.00 HX G5
18	606438	1	BELT, 91.0" HA-SECTION
19	N/A	1	PULLEY MOUNT ASSY
20	553821	1	72" PULLEY COVER
21	604221	1	DANGER/ CHUTE DECAL

NOTES:

1. Existing hardware.
2. Torque to 65–75 ft–lbs.

Blower

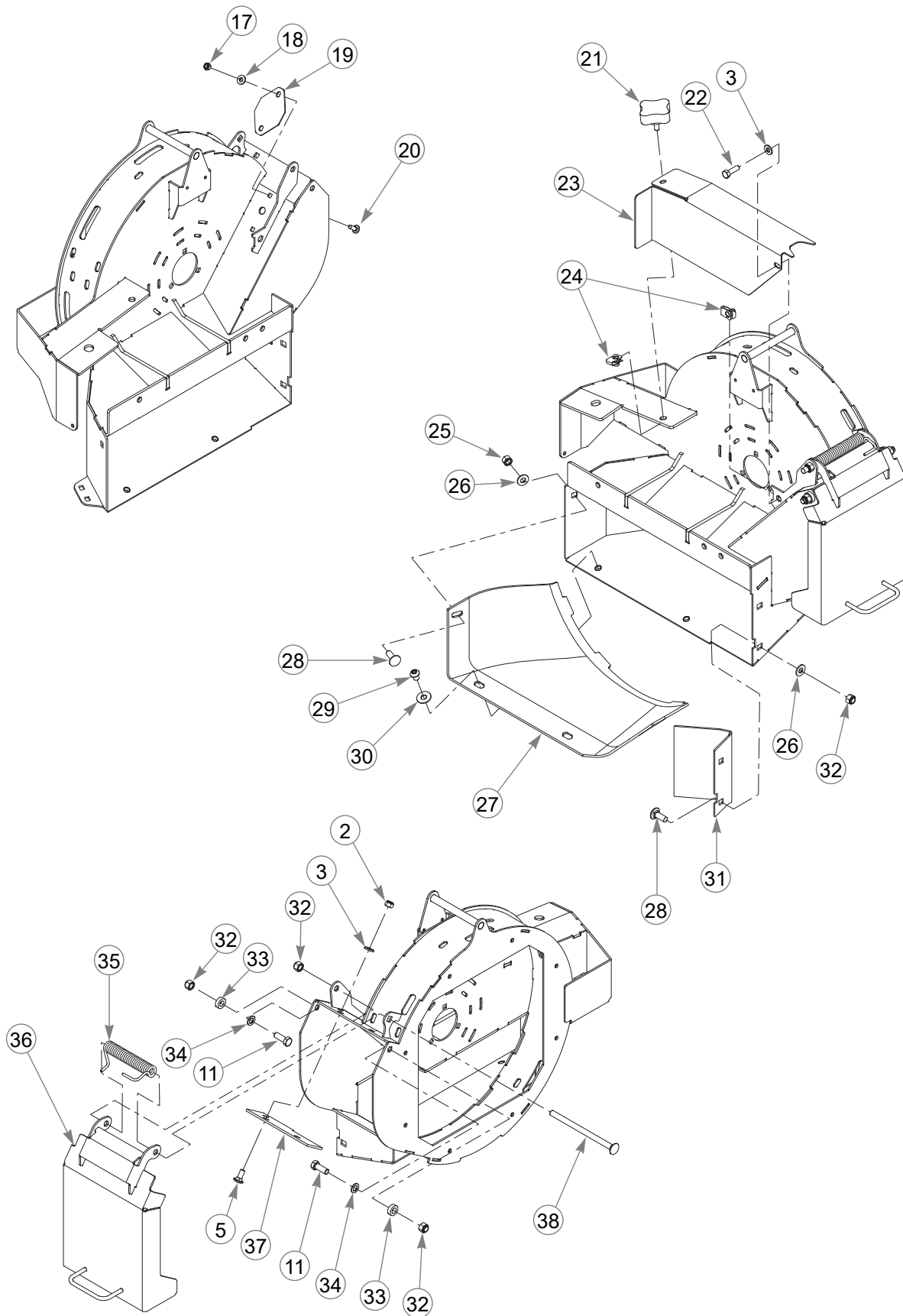


Blower

INDEX NO.	PART NO.	QTY.	DESCRIPTION
1	N/A	1	BLOWER HOUSING (NOT SOLD SEPARATELY)
2	058776	27	NT .312-18 HX ZY NL
3	768523	28	FW .343 X .687 X .051/.080H
4	119870	1	TOP WRAPPER INSERT
5	016253	27	CB .312-18 X .75 FUL ZN
6	119871	1	BOTTOM WRAPPER INSERT
7	119510	1	BLOWER IMPELLER
8	604264	2	BEARING 1.0" BORE FLANGE
9	602912	1	PULLEY
10	712919	1	FW .406 X 1.00 X .12 HRD Z
11	036244	3	CS .375-16 X 1.00 HX G5
12	322529	1	KEY .187 SQ X .750 LONG
13	114337	1	BEARING COVER
14	119874	1	BLOWER COVER
15	119741	1	GUARD
16	799130	8	CS .312-18 X .50 HXFL

NOTES:

Blower

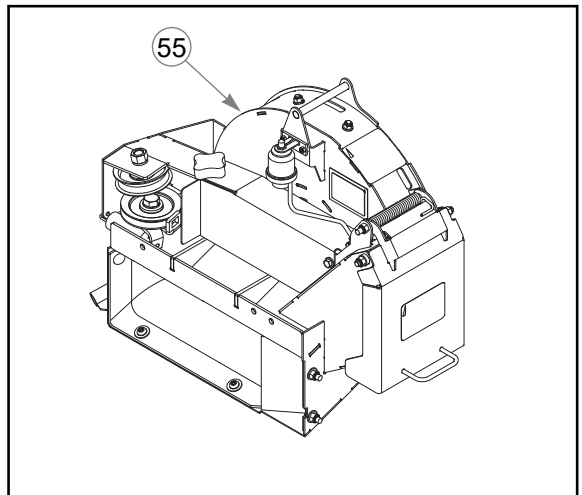
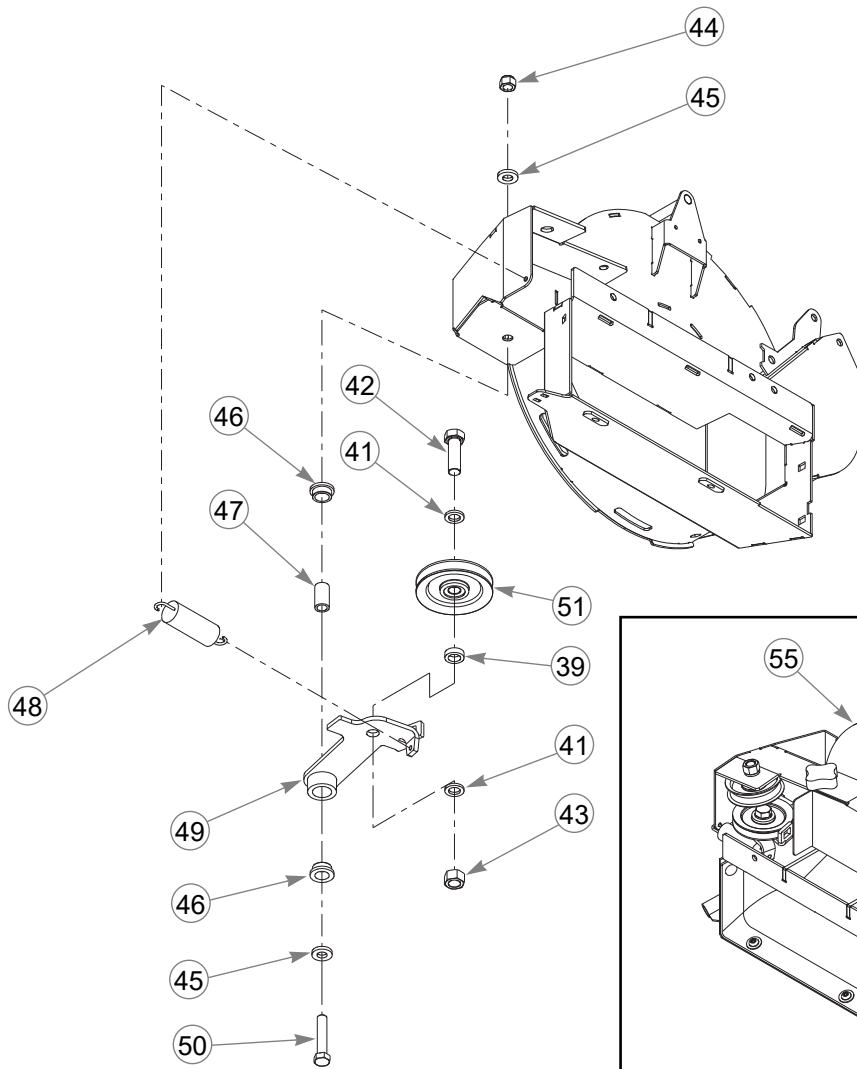
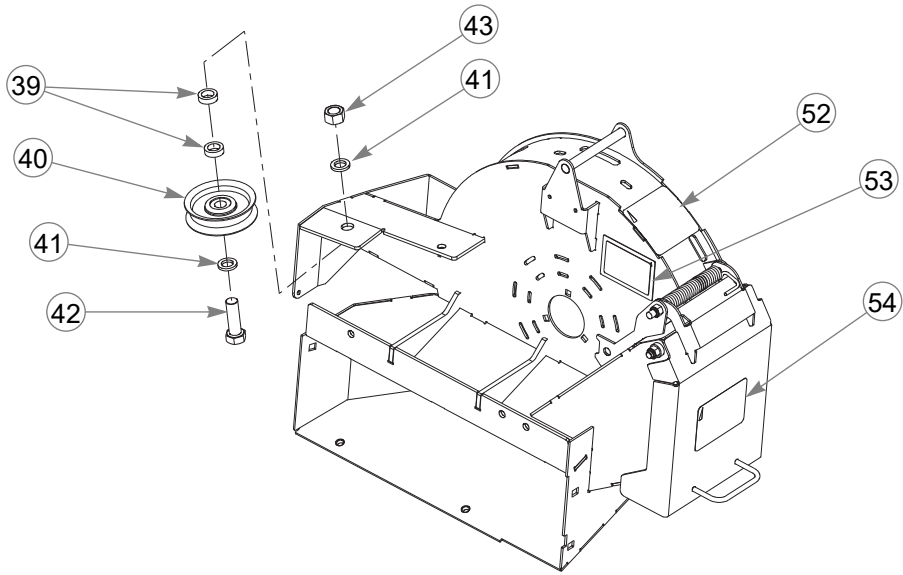


Blower

INDEX NO.	PART NO.	QTY.	DESCRIPTION
17	068551	2	NT .250-20 HX ZY NL
18	768515	2	FW .281 X .625 X .066
19	120615	1	COVER PLATE
20	794784	2	CB .250-20 X .75 FUL ZN
21	792002	1	KNOB 5/16-18 X 3/4"
22	036236	1	CS .312-18 X 1.00 HX G5
23	120266	1	PULLEY COVER
24	601069	2	CN .312-18 X .20 MAX THK
25	054502	1	NT .375-16 HX G5 ZNY
26	767954	3	FW .379 X .813 X .063
27	603191	1	BLOWER CHUTE INLET
28	025395	3	CB .375-16 X 1.00 G5 ZNY
29	774919	2	CS .375-16 X .50 SOC BH
30	076422	2	FW .406 X 1.00 X .06 ZNYC
31	113128	1	BLOWER INLET BAFFLE
32	086660	5	NT .375-16 HX ZY NL
33	073858	2	FW .406 X .75 X .25 ZNYC
34	704718	2	FW .406 X .688 X .060 ZNYC
35	602435	1	TORSION SPRING
36	550995	1	BLOWER LID (WITH DECALS)
37	119872	1	ABRASION GUARD
38	602674	1	CB .375-16 X 6.00 STD

NOTES:

Blower

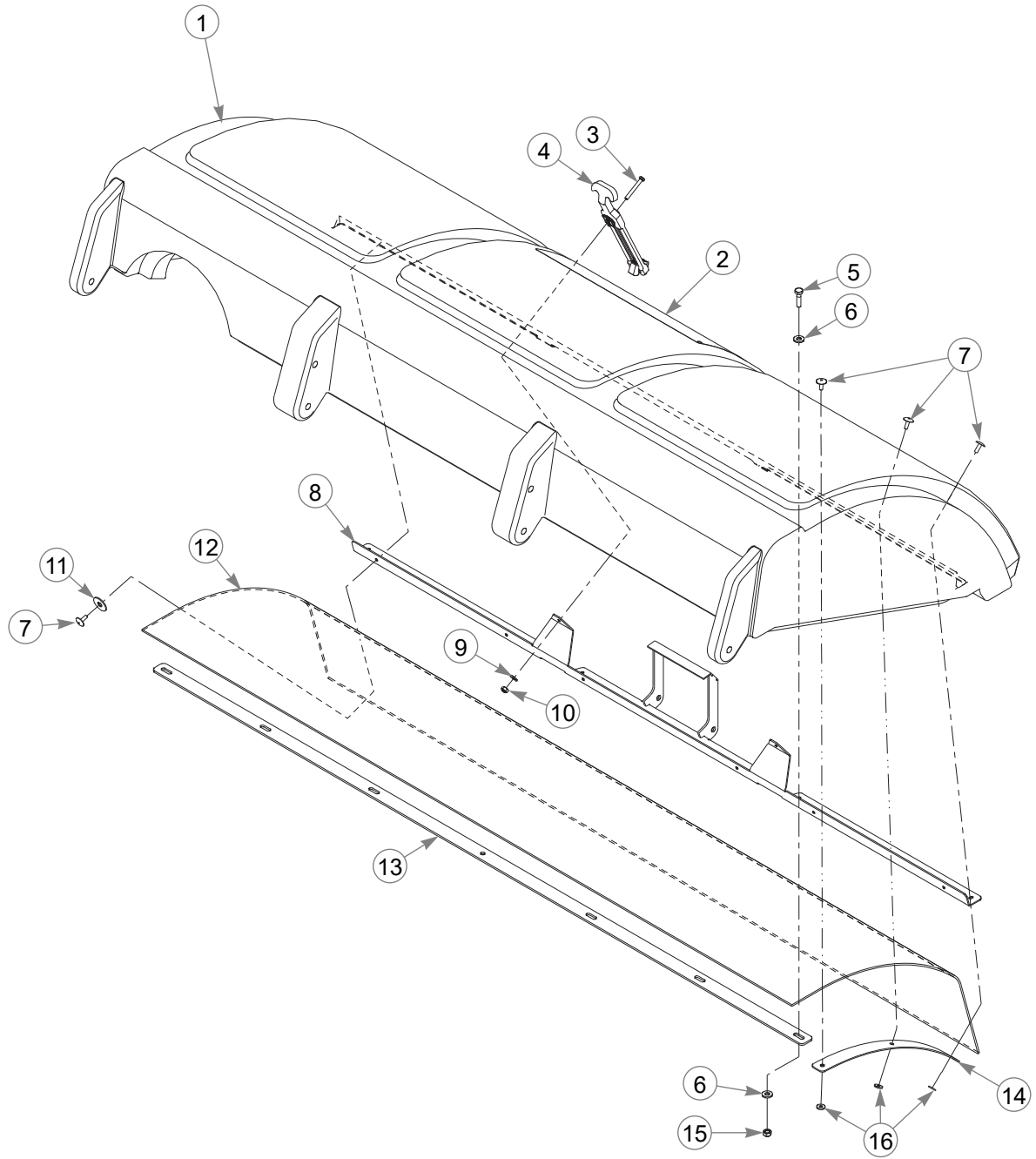


Blower

INDEX NO.	PART NO.	QTY.	DESCRIPTION
39	600296	3	DECK IDLER SPACER
40	791566	1	IDLER PULLEY 3.25" OD X .6
41	028118	4	FW .625 X 1.00 X .134 ZNYC
42	016642	2	CS .625-11 X 2.00 HX G5 Z
43	016972	2	NT .625-11 HX G5 ZNYC
44	781567	1	NT .500-13 HX G8 ZY NL
45	767962	2	FW .531 X 1.063 X .175
46	770867	2	BUSHING
47	109549	1	BUSHING
48	036384	1	SPRING 1/4 COIL PL 1.23
49	113406	1	BLOWER IDLER ARM
50	008573	1	CS .500-13 X 2.50 HX G5
51	602913	1	V-IDLER PULLEY
52	602757	1	BLOWER DANGERS DECAL
53	N/A	1	SERIAL NUMBER / SPEC DECAL
54	602758	1	EYES/EARS/FOOT DECAL
55	552623	1	BLOWER ASSEMBLY

NOTES:

Catcher Frame

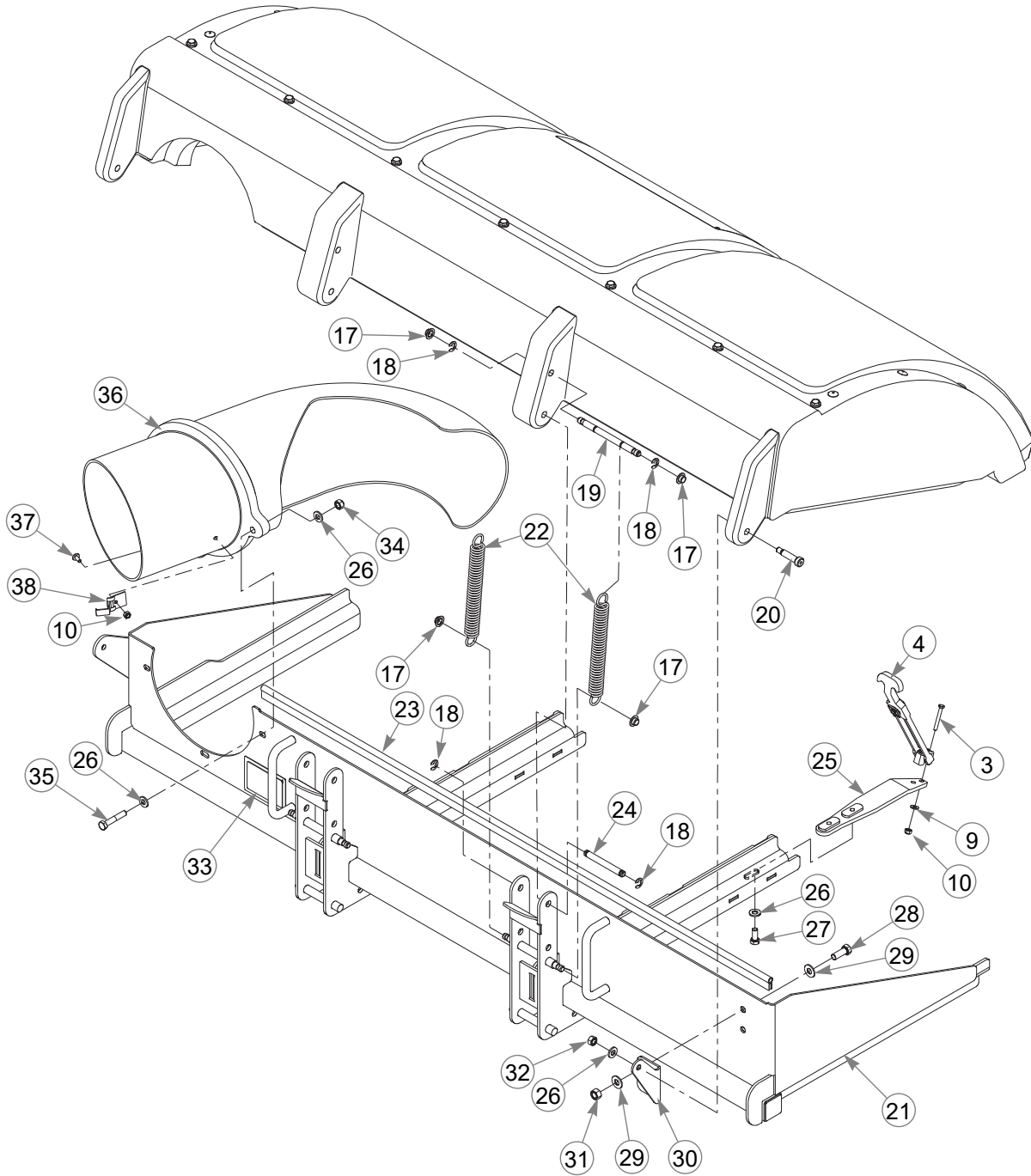


Catcher Frame

INDEX NO.	PART NO.	QTY.	DESCRIPTION
1	603225	1	LID
2	603419	1	CATCHER DECAL
3	080291	6	CS 10-24 X 1.50 HX ZNYC
4	603675	2	LATCH
5	056077	7	CS .250-20 X 1.00 HX G5
6	768515	14	FW .281 X .625 X .051/.080 HD ZN/YL
7	603398	20	RIVET
8	114399	1	LID INSERT
9	704932	6	FW .219 X .500 X .048 ZNYC
10	059832	7	NT #10-24 HX NL ZN
11	079210	6	FW .344 X 1.00 X .06 ZNYC
12	603353	1	SCREEN
13	115146	1	BACK RIB BRACKET
14	115147	2	SIDE RIB BRACKET
15	068551	7	NT .250-20 HX ZY NL
16	603400	8	FW .188 X .50 X .060

NOTES:

Catcher Frame

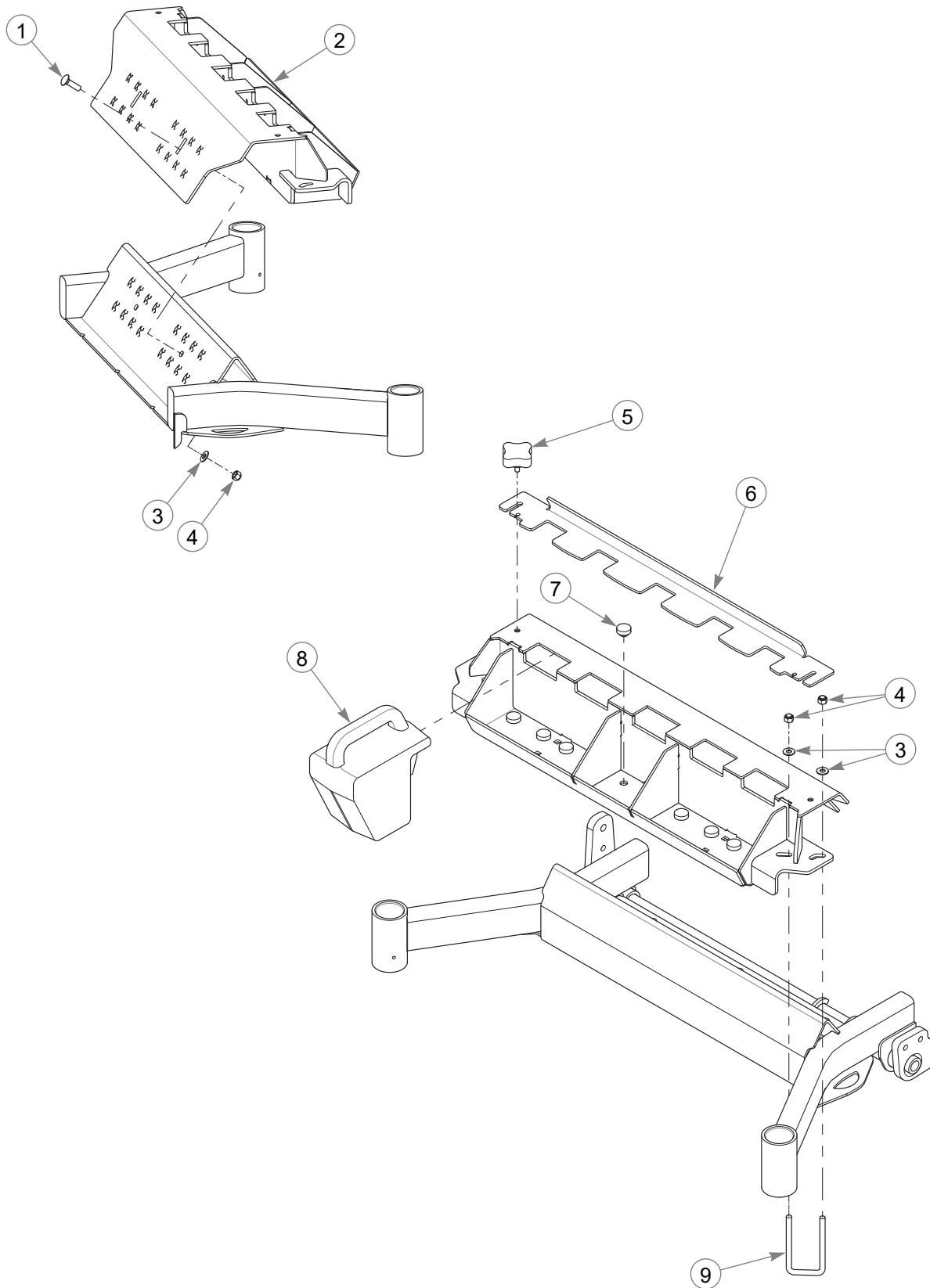


Catcher Frame

INDEX NO.	PART NO.	QTY.	DESCRIPTION
17	603678	8	CAP NUT
18	603332	8	CLIP
19	114249	2	SPRING LID PIN
20	603333	2	SB .375 X 1.25 SH .312-18
21	113640	1	3 BAG CATCHER FRAME
22	603285	4	LID HINGE SPRING
23	603418	1	LID SEAL
24	114248	2	LID HINGE PIN
25	120505	2	LATCH BRACKET
26	768523	12	FW .343 X .687 X .051/.080H
27	034280	4	CS .312-18 X .75 HX G5
28	036244	2	CS .375-16 X 1.00 HX G5
29	767954	4	FW .406 X .812 X .060 SAE
30	114118	1	LID ADJUST BRACKET
31	054502	2	NT .375-16 HX G5 ZNY
32	034272	2	NT .312-18 HX G5 ZNYC
33	N/A	1	SERIAL NUMBER / SPEC DECAL
34	058776	3	NT .312-18 HX ZY NL
35	050161	3	CS .312-18 X 1.75 HX G5
36	603214	1	INLET TUBE
37	060723	1	MS #10-24 X .50 TH SL
38	602830	1	SNAP FASTENER

NOTES:

Catcher Weight Mount

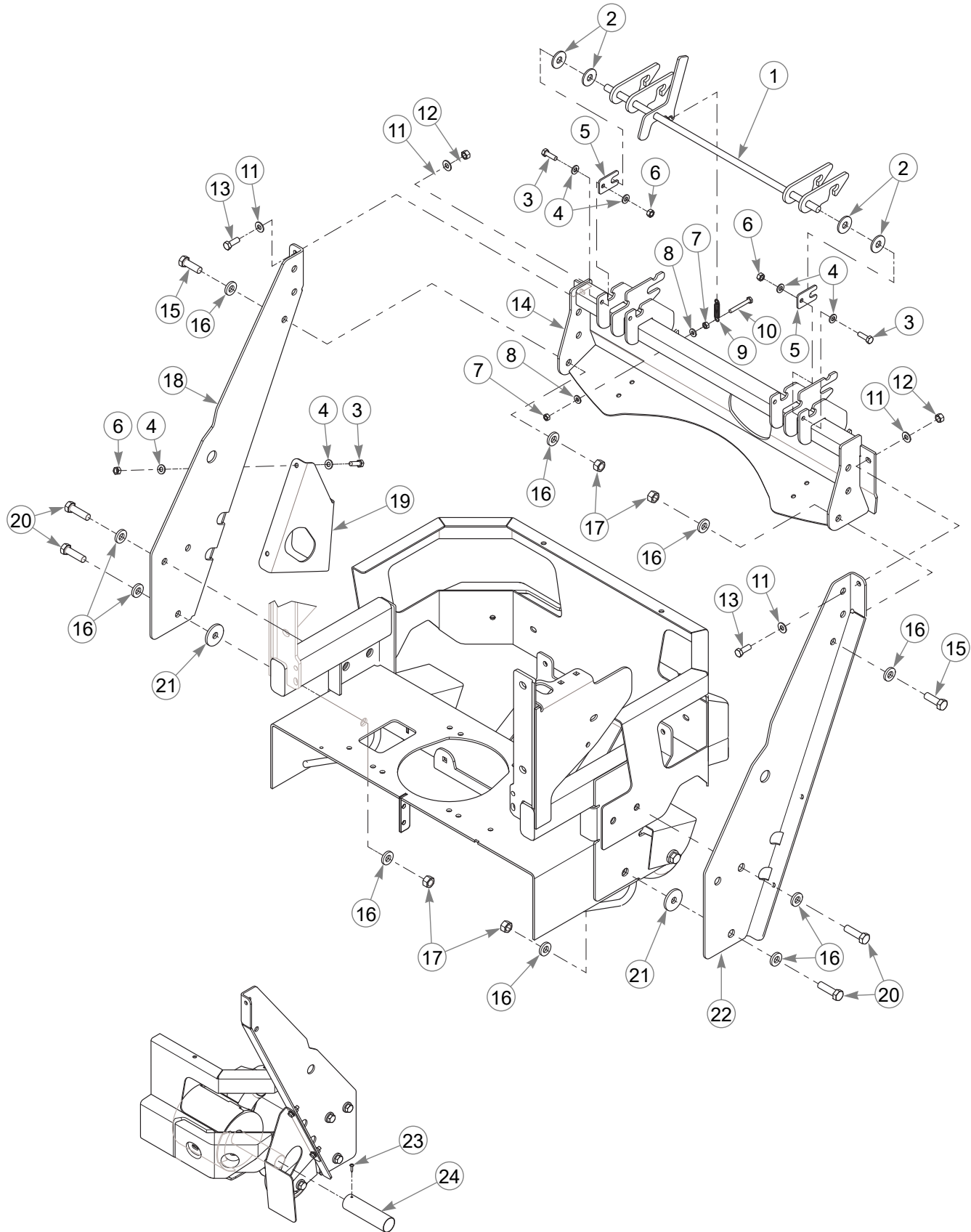


Catcher Weight Mount

INDEX NO.	PART NO.	QTY	DESCRIPTION
1	603113	2	CB .375-16 X 1.25 G5 ZNC
2	122480	1	WEIGHT MOUNT
3	767954	6	FW .406 X .812 X .060 SAE
4	086660	6	NT .375-16 NL G5
5	792002	2	KNOB 5/16-18 X 3/4"
6	118125	1	WEIGHT LOCK PLATE
7	781880	10	BUMPER
8	603207	5	WEIGHT
9	604423	2	UB .375-16 X 2.00 X 5.00 SQ

NOTES:

Frame Adapter

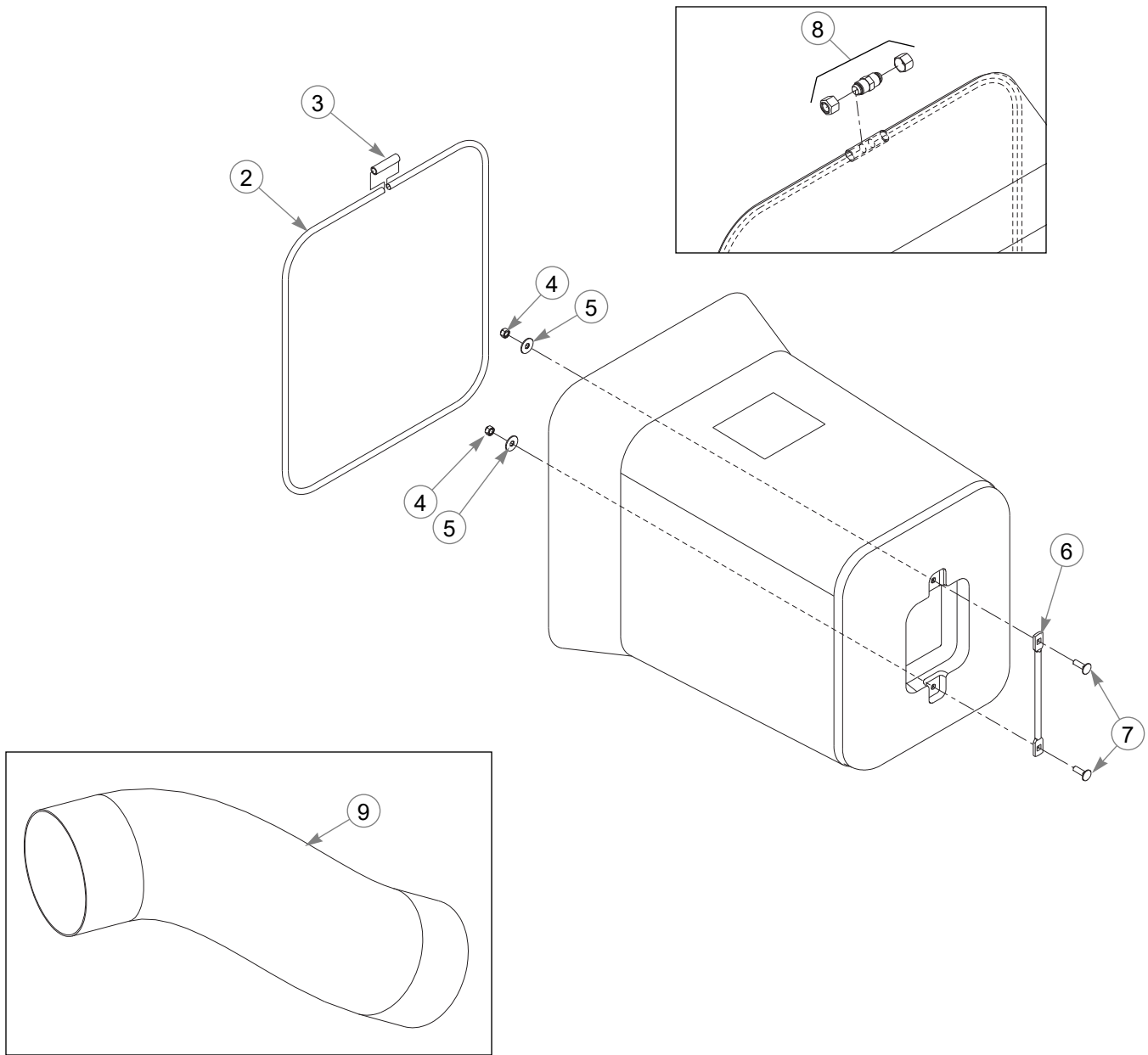


Frame Adapter

INDEX NO.	PART NO.	QTY.	DESCRIPTION
1	113965	1	LID MOUNT LATCH
2	712976	4	FW .531 X 1.375 X .125 ZNY
3	036236	6	CS .312-18 X 1.00 HX G5
4	768523	12	FW .343 X .687 X .051/.080H
5	113969	2	KEEPER LATCH
6	034272	6	NT .312-18 HX G5 ZNYC
7	024927	2	NT .250-20 HX G5 ZNYC
8	768515	2	FW .281 X .625 X .051/.080 HD ZN/YL
9	603358	1	LID LATCH SPRING
10	704163	1	CS .250-20 X 2.00 HX G5 Z
11	767954	4	FW .406 X .812 X .060 SAE
12	054502	2	NT .375-16 HX G5 ZNY
13	036244	2	CS .375-16 X 1.00 HX G5
14	113773	1	PIVOT MOUNT
15	074252	6	CS .500-13 X 1.50 HX G5
16	767962	20	FW .531 X 1.063 X .090 SAE
17	008193	8	NT .500-13 HX G5 ZNYC
18	124337-3	1	RS CATCHER MOUNT
19	118608	1	RS BAG GUARD
20	017616	6	CS .500-13 X 1.75 HX G5
21	078386	2	FW .510 X 1.75 X .18 ZNYC
22	124338-3	1	LS CATCHER MOUNT
23	769299	1	SC #10 X .750 PHILLIPS T
24	604576	1	MUFFLER EXTENSION 1.5"
25	604577	1	MUFFLER EXTENSION 1.375" (NOT SHOWN)

NOTES:

Catcher Bag & Flex Tube



INDEX NO.	PART NO.	QTY.	DESCRIPTION
1	603127	3	CATCHER BAG ASSEMBLY (INCLUDES ITEMS 2-8)
2	603119	1	CATCHER BAG ROD
3	603120	1	ROD JOINING TUBE
4	058776	2	NT .312-18 HX NL G5
5	079210	2	FW .344 X 1.00 X .06 ZNYC
6	603122	1	CATCHER BAG HANDLE
7	037887	2	CB .312-18 X 1.00 FULL ZN
8	603677	1	COMPRESSION COUPLING
9	603356	1	8" CLEAR FLEX TUBE

INDEX

	PAGE		PAGE
Blower Drive Belt	5-1	Packing List	3-1
Blower Housing and Flex Tube Maintenance	5-1	Parts and Service	1-1
Blower Impeller	5-2	Removing the Lid Assembly	4-8
Catcher Hood Assembly	3-18	Safe Operation and Service Precautions	2-1
Collecting and Vacuum Pickup	4-1	Safety and Instruction Decals	2-2
Converting to Side Discharge Mode	4-3	Storage	5-2
Deck Adapter Kits	3-1	To the New Owner	1-1
Final Connection	3-20	Unloading the Catcher	4-2
Mower Deck Preparation	3-2	Using this Manual	1-1
Mower Deck Preparation – BigDog Decks	3-2	Warranty Registration	1-1
Mower Deck Preparation–Hustler Decks	3-8	Weight Assembly	3-22
Mower Preparation	3-17		