

# Hustler® Parts Manual



**HUSTLER®**  
TURF EQUIPMENT

200 South Ridge Road

Hesston, Kansas

67062



#### NOTICE OF REQUIREMENT OF SPARK ARRESTER MUFFLER

This equipment may create sparks that can start fires around dry vegetation. California Public Resources Code Section 4442.6 provides that it is unlawful to use or operate an internal combustion engine on any forest-covered, brush-covered, or grass-covered land unless the engine is equipped with a spark arrester maintained in effective working order. A spark arrester is a device constructed of nonflammable materials specifically for the purpose of removing and retaining carbon and other flammable particles over 0.0232 of an inch in size from the exhaust flow of an internal combustion engine that uses hydrocarbon fuels or which is qualified and rated by the United States Forest Service. Other states or federal areas may have similar laws. The Operator Should Contact Local Fire Agencies For Laws or Regulations Relating to Fire Prevention Requirements. **THIS EQUIPMENT DOES NOT HAVE A SPARK ARRESTER AND YOU SHOULD CONTACT YOUR AUTHORIZED DEALER FOR THE PURCHASE OF A SPARK ARRESTER.**

Inspect spark arrester daily; replace every 500 hours or as needed.

The Engine Owner's Manual provides information regarding the U.S. Environmental Protection Agency (EPA) and the California Emission Control Regulation of emission systems, maintenance and warranty.

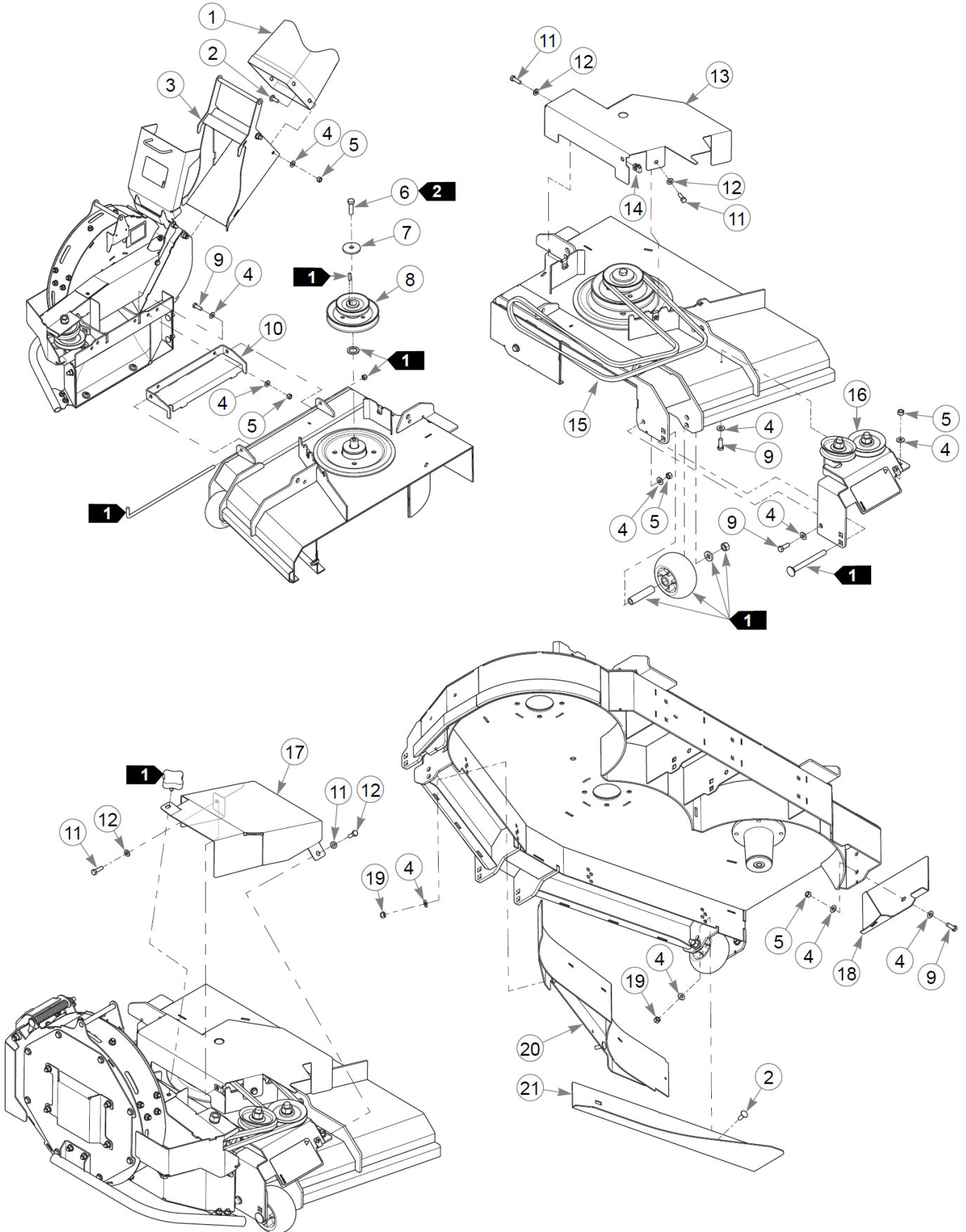
Keep Engine Owner's Manual with your unit. Should the Engine Owner's Manual become damaged or illegible, replace immediately. Replacements may be ordered per the information found in the Product Information section of the owner's manual.

Federal law and California State law prohibit the following acts or the causing thereof:

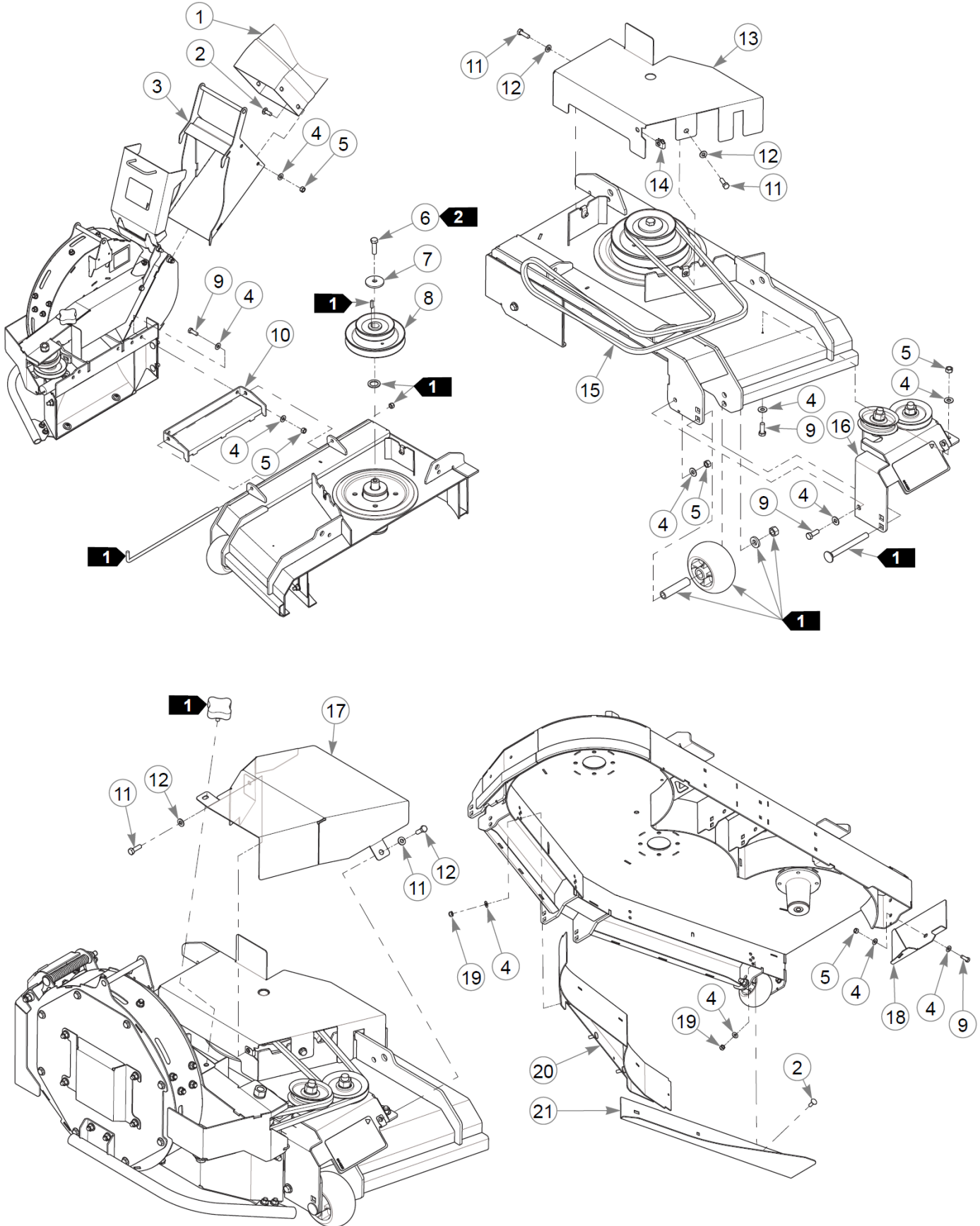
1. The removal or rendering inoperative by any person other than for purposes of maintenance, repair, replacement, of any device or element of design incorporated into any equipment for the purposes of emissions control prior to or after its sales or delivery to the ultimate purchaser or while it is in use, or
2. The use of the equipment after such device or element of design has been removed or rendered inoperative by any person.

123778—Hustler 54" Deck Adapter	1
123779—Hustler 60" Deck Adapter	2
Pulley Mount Breakdown - Hustler 54/60" Deck Adapter	3
123780—Hustler 66" Deck Adapter	4
123781—Hustler 72" Deck Adapter	5
123464—BigDog Diablo MP 60" Deck Adapter	6
123465—BigDog Diablo MP 72" Deck Adapter	7
Pulley Mount Breakdown - BigDog Diablo MP 60/72" Deck Adapter	8
Frame	9
Shell	10
Lid	11
Linkage	12
Frame Adapter	13
Shell Electric	14
Wire Harness	15
Frame Cover Breakdown	16
Blower (Multi-Page)	17



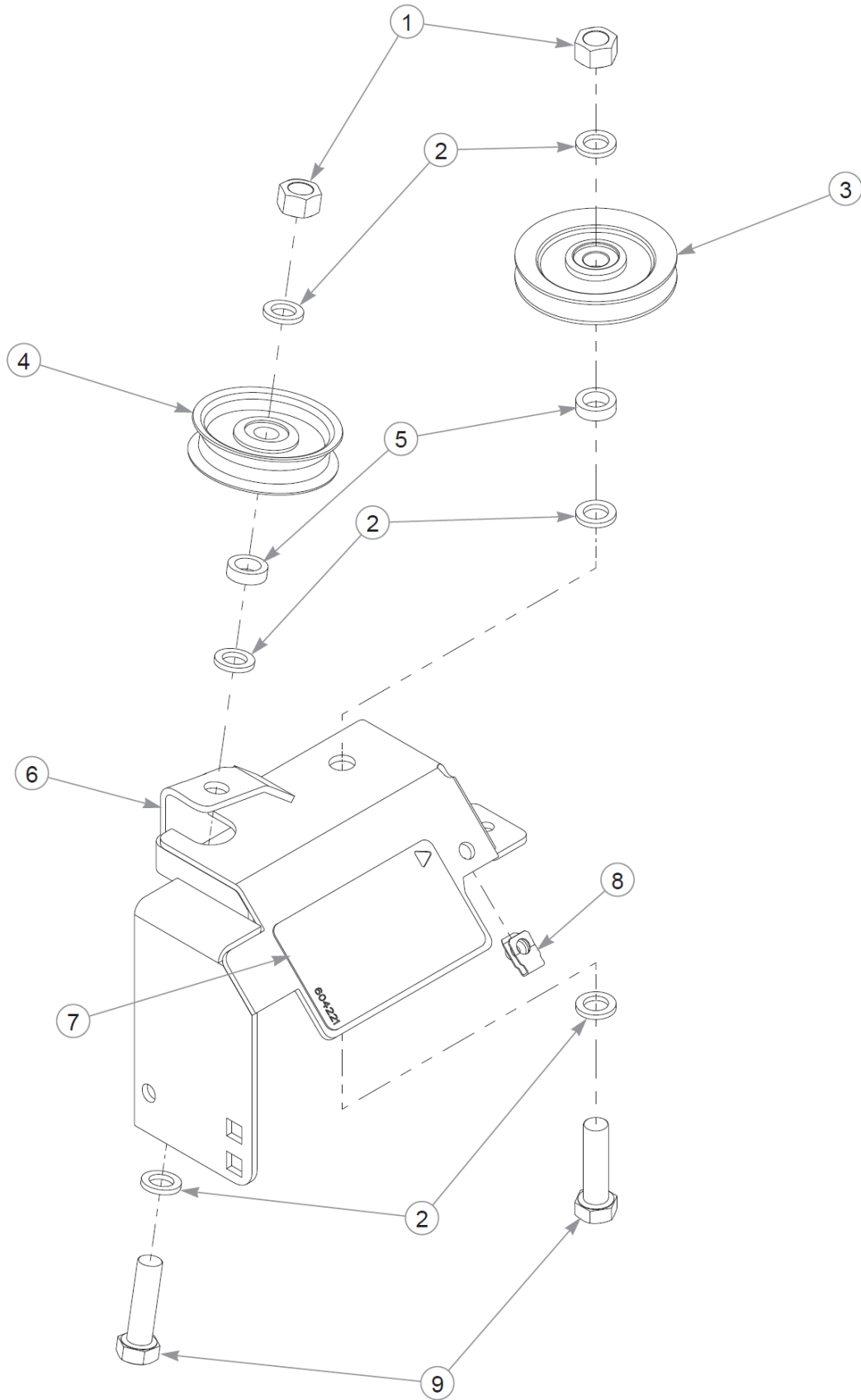


Item	Part No.	Qty	Name
1	603213	1	BLOWER OUTLET TUBE
2	025395	6	CB .375-16X 1.00 G5 ZN
3	114066	1	OUTLET ADAPTER
4	767954	16	FW 0.379X.82X.06 HD ZN
5	054502	9	NT .375-16HXG5
6	017616	1	CS .500-13X1.750HXG5
7	752386	1	CW .515X 2.25X .204 BLK
8	605832	1	54" DOUBLE DRIVE
9	036244	5	CS .375-16X1.00 HX G5 ZN
10	124326-3	1	BLOWER MOUNT W/A 54
11	036236	4	CS .312-18X1.000HXG5
12	768523	4	FW 0.343SAE
13	124339-3	1	54 DECK COVER
14	601069	1	CN .312-18x.200 MAX THK
15	601786	1	DECK BELT
16	N/A	1	PULLEY MOUNT ASSEMBLY
17	124340-3	1	54 BELT COVER
18	114071	1	54" BLOWER BAFFLE
19	086660	4	NT .375-16NLG8
20	118204	1	BAFFLE W/A, LS
21	114360	1	BAFFLE, BLOWER RH 54"

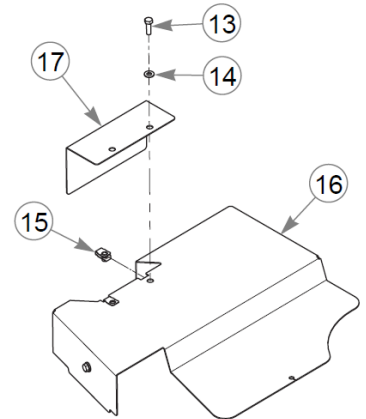
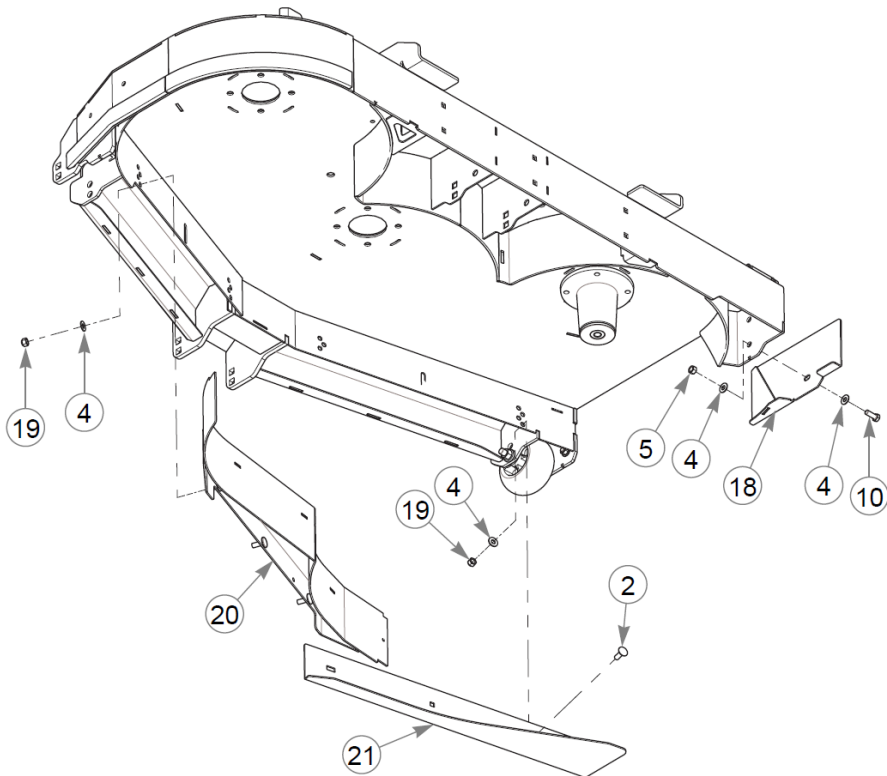
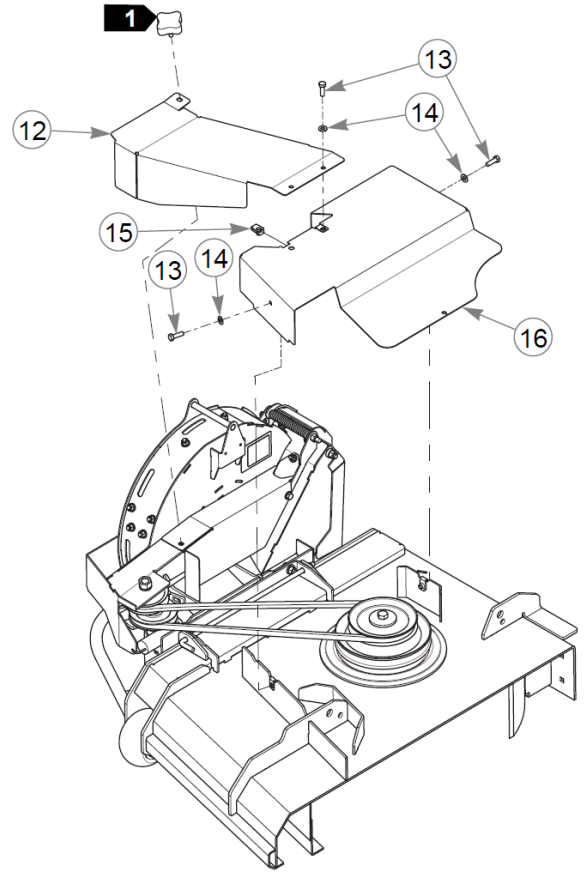
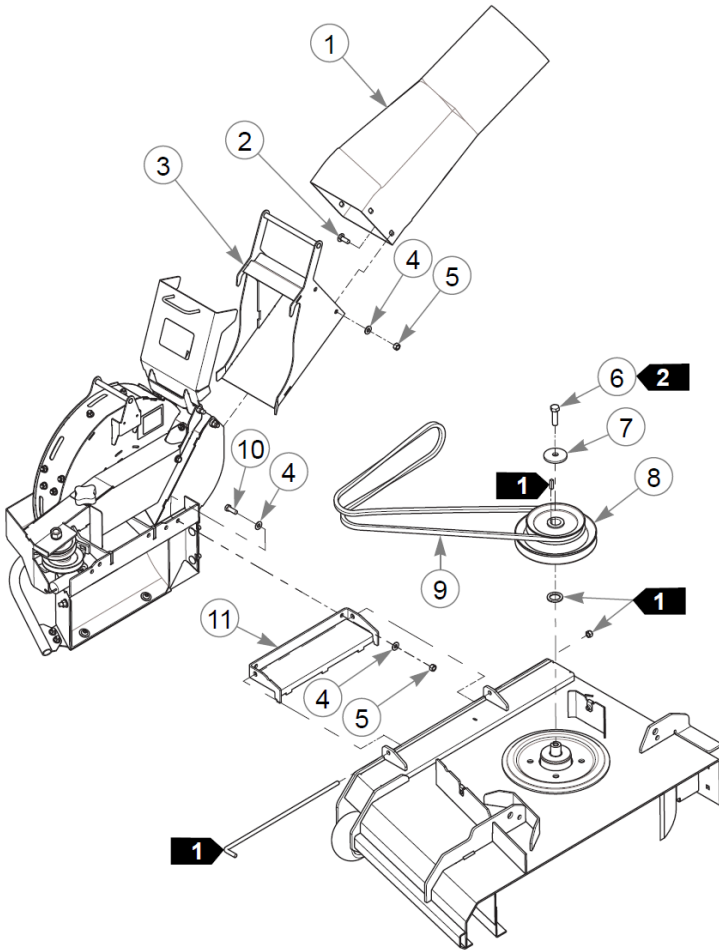


Item	Part No.	Qty	Name
1	603324	1	72 BLOWER OUTLET TUBE
2	025395	7	CB .375-16X 1.00 G5 ZN
3	114066	1	OUTLET ADAPTER
4	767954	16	FW 0.379X.82X.06 HD ZN
5	054502	7	NT .375-16HXG5
6	017616	1	CS .500-13X1.750HXG5
7	752386	1	CW .515X 2.25X .204 BLK
8	602914	1	60" SZ DOUBLE PULLEY
9	036244	5	CS .375-16X1.00 HX G5 ZN
10	124329-3	1	BLOWER MOUNT W/A
11	036236	4	CS .312-18X1.000HXG5
12	768523	4	FW 0.343SAE
13	124341-3	1	60 DECK COVER
14	601069	1	CN .312-18x.200 MAX THK
15	607161	1	BELT, A-SEC 92.25"
16	N/A	1	PULLEY MOUNT ASSEMBLY
17	124342-3	1	60 BELT COVER
18	113127	1	60 BLOWER BAFFLE W/A
19	086660	6	NT .375-16NLG8
20	117800	1	BAFFLE W/A, LS
21	114361	1	BAFFLE, BLOWOUT RH 60"

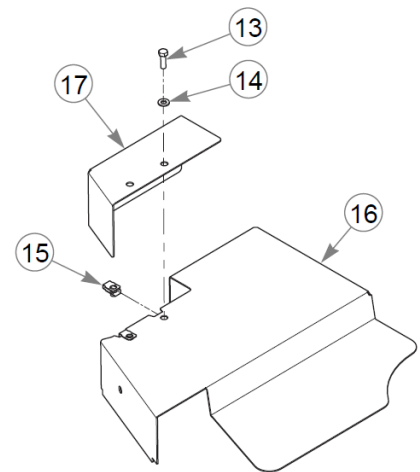
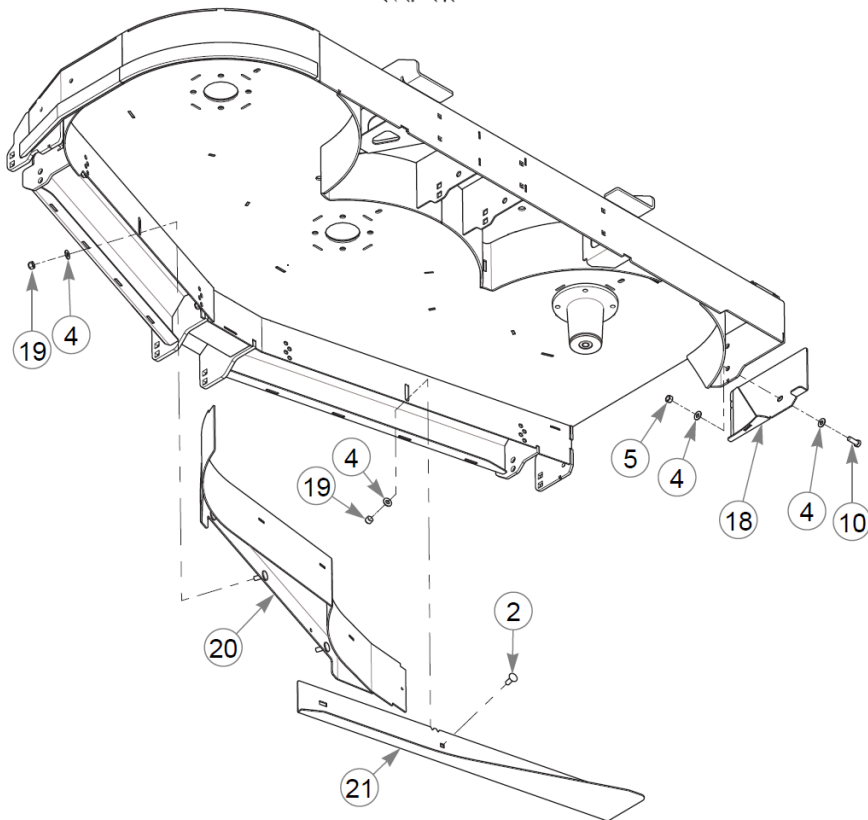
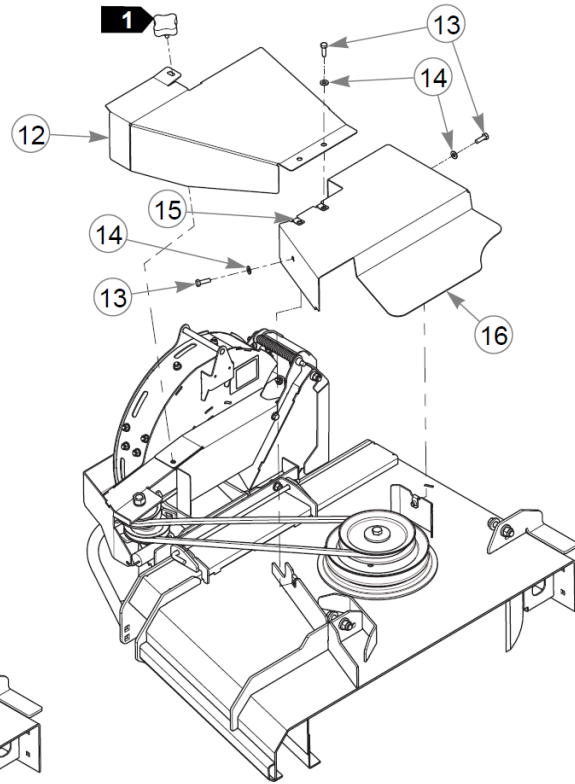
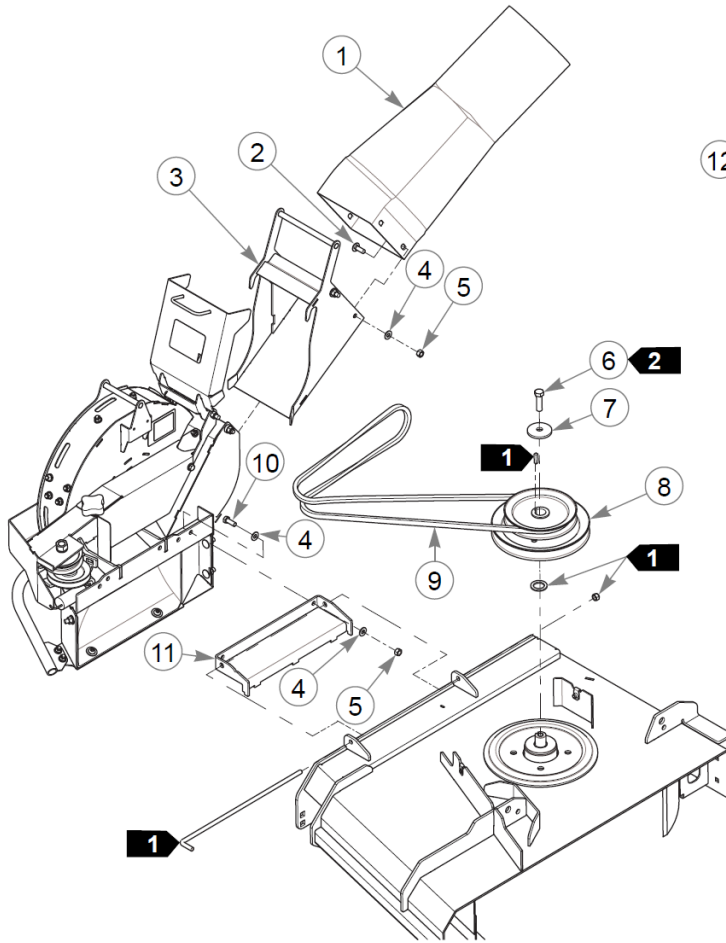




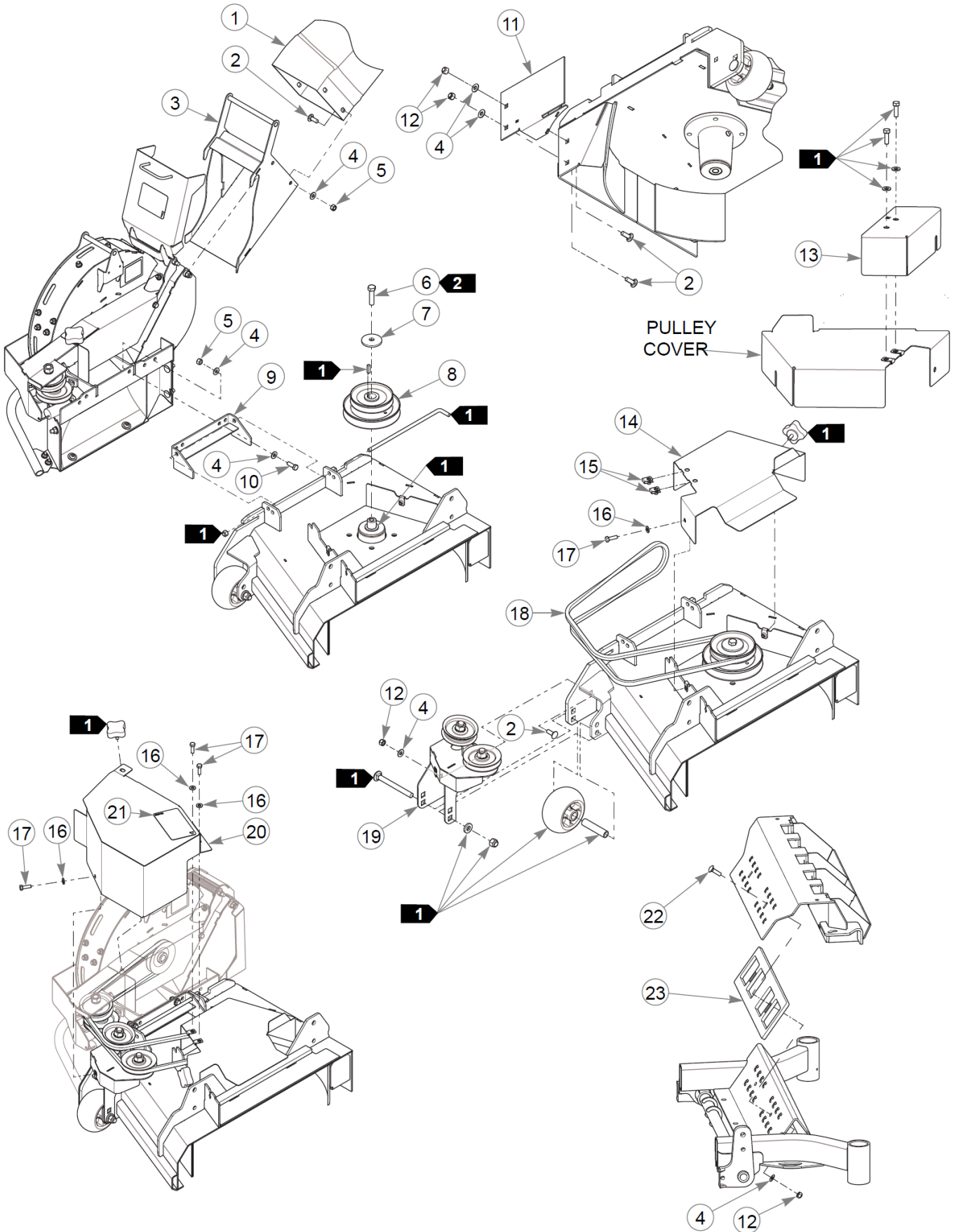
Item	Part No.	Qty	Name
1	016972	2	NT .625-11 HX G5 ZN
2	028118	6	FW 0.625X1.00X.13 ZN
3	602913	1	V-IDLER PULLEY
4	791566	1	PULLEY IDLER 3.25"ODX.6
5	600296	2	SPACER, DECK IDLER
6	554510	1	SVC PULLEY MOUNT
7	604221	1	DECAL, DANGER / CHUTE
8	601069	1	CN .312-18x.200 MAX THK
9	601983	2	CS .625-11 X 2.25 HXG5ZN



Item	Part No.	Qty	Name
1	603324	1	72 BLOWER OUTLET TUBE
2	025395	7	CB .375-16X 1.00 G5 ZN
3	114066	1	OUTLET ADAPTER
4	767954	16	FW 0.379X.82X.06 HD ZN
5	054502	7	NT .375-16HXG5
6	017616	1	CS .500-13X1.750HXG5
7	752386	1	CW .515X 2.25X .204 BLK
8	603312	1	66" DOUBLE DRIVE
9	602997	1	BELT, A 86.0" EL
10	036244	3	CS .375-16X1.00 HX G5 ZN
11	124329-3	1	BLOWER MOUNT W/A
12	124344-3	1	66 BELT COVER
13	036236	4	CS .312-18X1.000HXG5
14	768523	4	FW 0.343SAE
15	601069	1	CN .312-18x.200 MAX THK
16	124343-3	1	66 DECK COVER
17	124349-3	1	66 AUX COVER
18	114074	1	66" BLOWER BAFFLE
19	086660	6	NT .375-16NLG8
20	118208	1	BAFFLE W/A, LS
21	114362	1	BAFFLE, BLOWOUT RH 66"

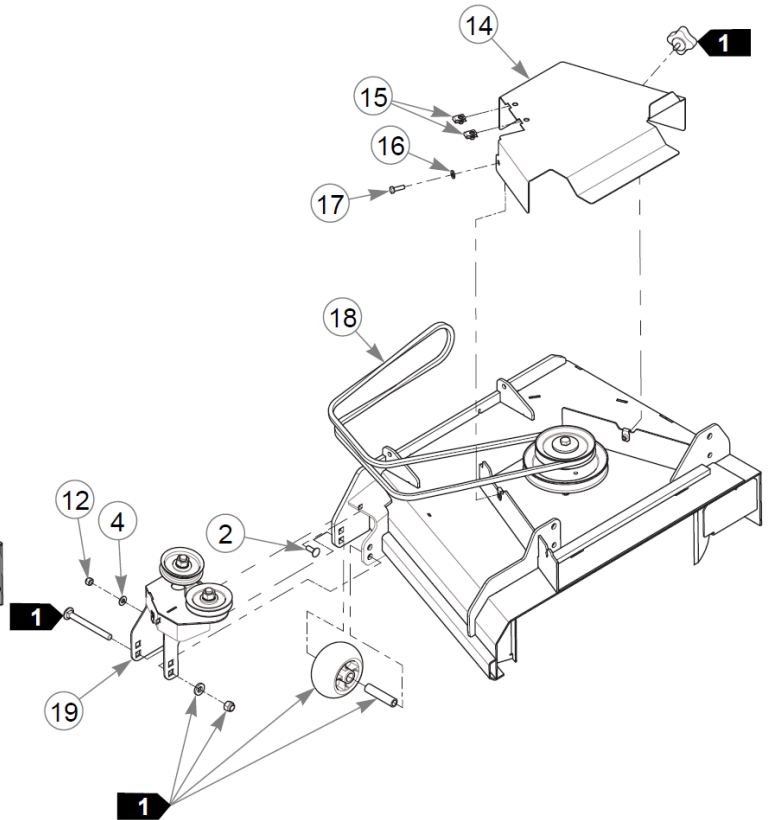
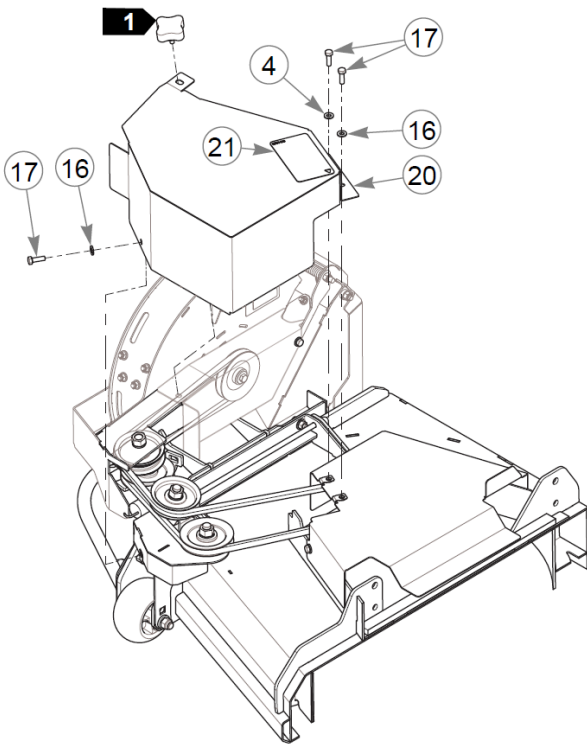
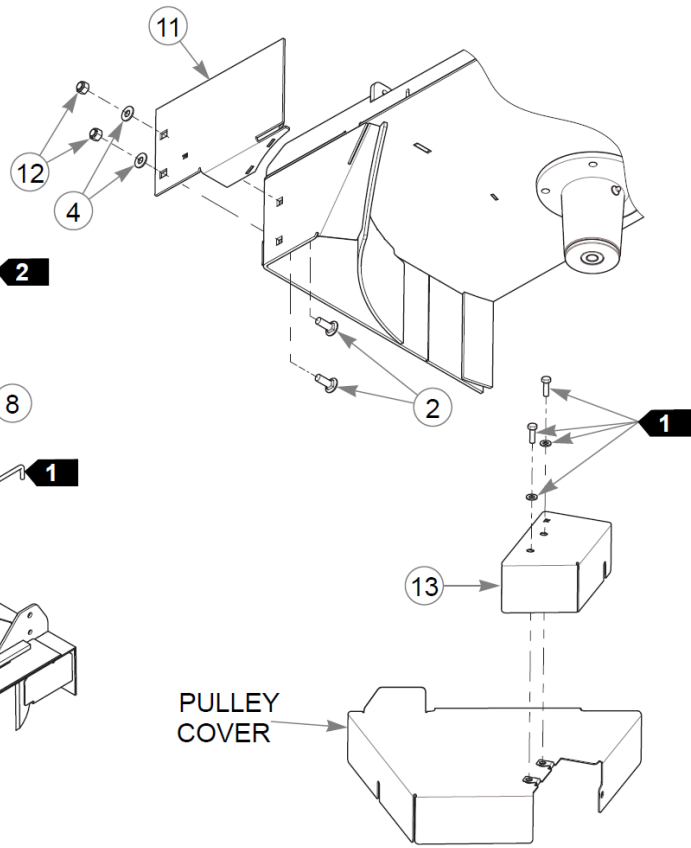
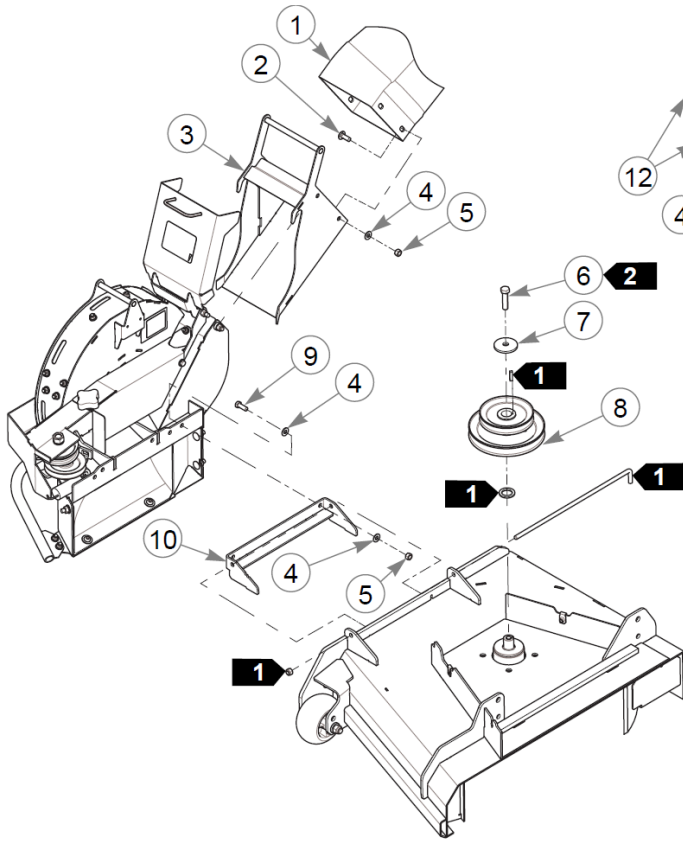


Item	Part No.	Qty	Name
1	603324	1	72 BLOWER OUTLET TUBE
2	025395	7	CB .375-16X 1.00 G5 ZN
3	114066	1	OUTLET ADAPTER
4	767954	16	FW 0.379X.82X.06 HD ZN
5	054502	7	NT .375-16HXG5
6	017616	1	CS .500-13X1.750HXG5
7	752386	1	CW .515X 2.25X .204 BLK
8	603313	1	72" DOUBLE DRIVE
9	602998	1	BELT, A 89.0" EL
10	036244	3	CS .375-16X1.00 HX G5 ZN
11	124329-3	1	BLOWER MOUNT W/A
12	124346-3	1	72 BELT COVER
13	036236	4	CS .312-18X1.000HXG5
14	768523	4	FW 0.343SAE
15	601069	1	CN .312-18x.200 MAX THK
16	124345-3	1	72 DECK COVER
17	124350-3	1	72 AUX COVER
18	114077	1	72 BLOWER BAFFLE
19	086660	6	NT .375-16NLG8
20	118212	1	BAFFLE W/A, LS
21	114363	1	BAFFLE, BLOWOUT RH 72"

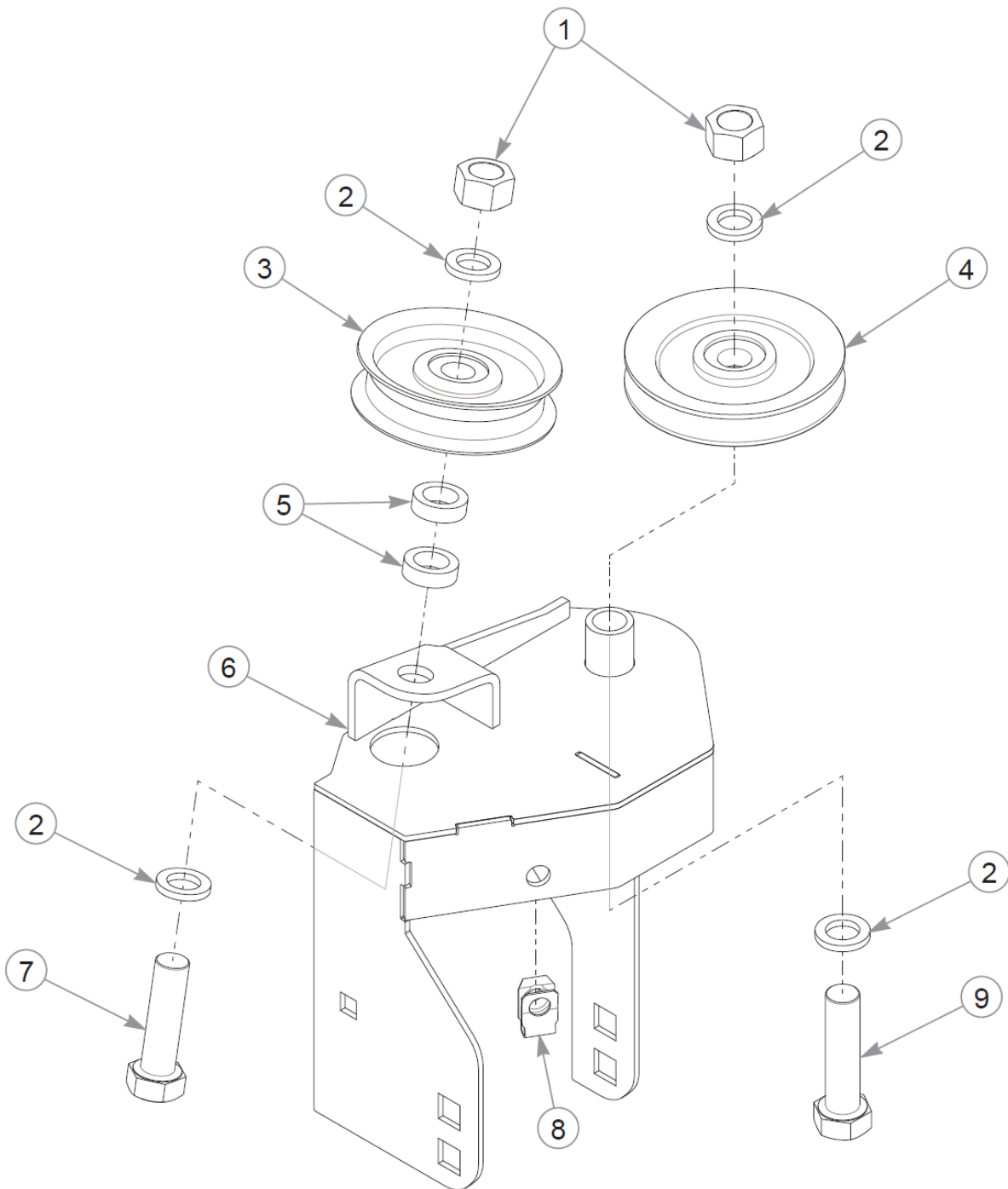


Item	Part No.	Qty	Name
1	603324	1	72 BLOWER OUTLET TUBE
2	025395	7	CB .375-16X 1.00 G5 ZN
3	114066	1	OUTLET ADAPTER
4	767954	20	FW 0.379X.82X.06 HD ZN
5	054502	6	NT .375-16HXG5
6	078949	1	CS .500-13X2.000 FUL HX
7	752386	1	CW .515X 2.25X .204 BLK
8	603311	1	60" DOUBLE DRIVE
9	123316	1	MOUNT W/A
10	036244	2	CS .375-16X1.00 HX G5 ZN
11	123331	1	60 BAFFLE W/A
12	086660	3	NT .375-16NLG8
13	123191	1	60" COVER
14	123466	1	DBL PULLEY COVER 60 DMP
15	601069	2	CN .312-18x.200 MAX THK
16	768523	4	FW 0.343SAE
17	036236	4	CS .312-18X1.000HXG5
18	606437	1	86" BELT A-SEC
19		1	PULLEY MOUNT ASSEMBLY
20	553820	1	60 PULLEY COVER F/A
21	604221	1	DECAL, DANGER / CHUTE
22	603113	2	CB .375-16X1.250 G5 ZN
23	124347-3	1	WEIGHT SPACER

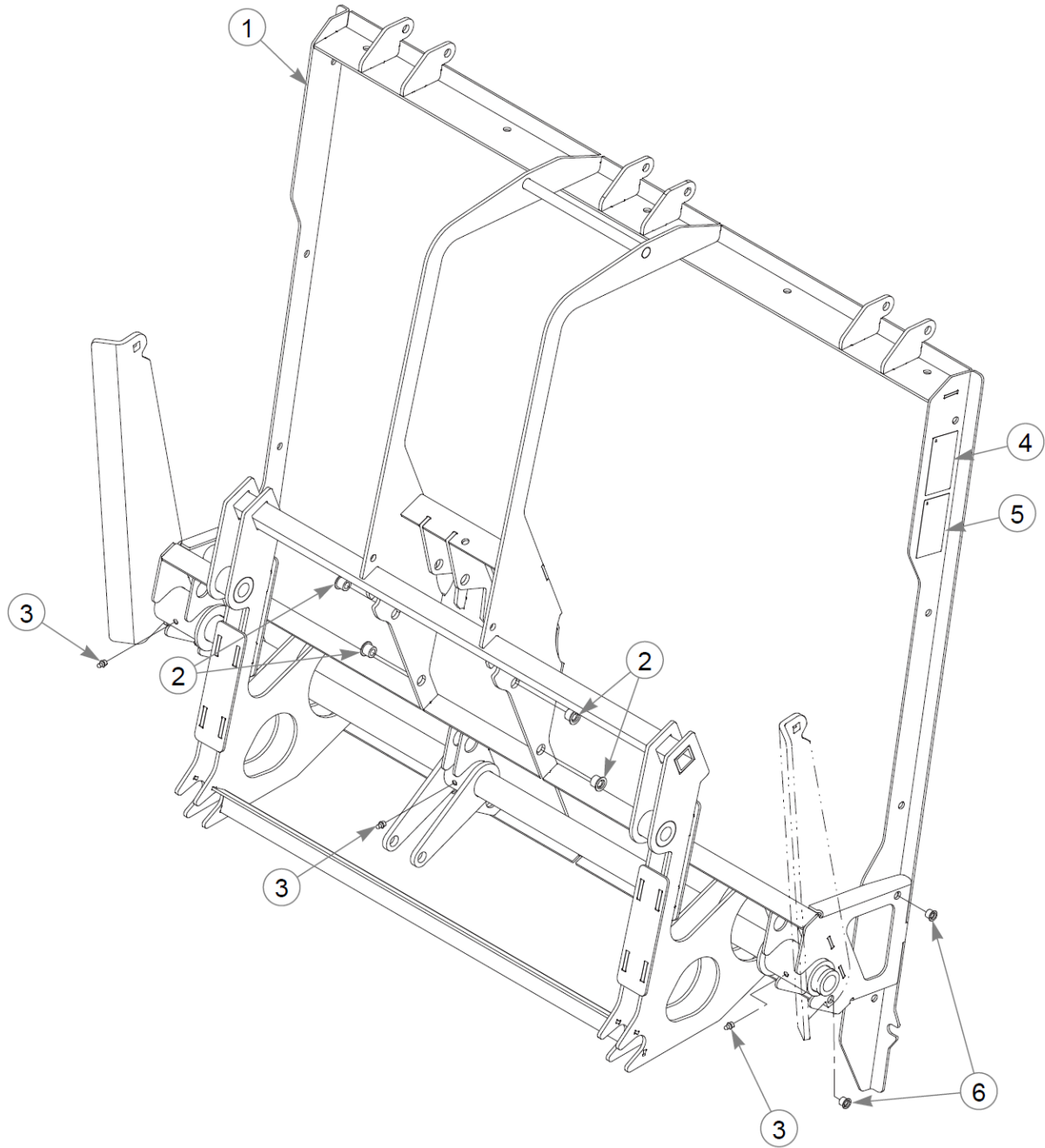




Item	Part No.	Qty	Name
1	603324	1	72 BLOWER OUTLET TUBE
2	025395	7	CB .375-16X 1.00 G5 ZN
3	114066	1	OUTLET ADAPTER
4	767954	20	FW 0.379X.82X.06 HD ZN
5	054502	6	NT .375-16HXG5
6	078949	1	CS .500-13X2.000 FUL HX
7	752386	1	CW .515X 2.25X .204 BLK
8	603712	1	DOUBLE DRIVE PULLEY
9	036244	2	CS .375-16X1.00 HX G5 ZN
10	113118	1	SZ BLOWER MOUNT W/A
11	123334	1	72 BAFFLE W/A
12	086660	3	NT .375-16NLG8
13	123192	1	72" COVER
14	123467	1	DBL PULLEY COVER 72 DMP
15	601069	2	CN .312-18x.200 MAX THK
16	768523	4	FW 0.343SAE
17	036236	4	CS .312-18X1.000HXG5
18	606438	1	BELT 91.0 HA SECTION
19		1	PULLEY MOUNT ASSEMBLY
20	553856	1	SVC, 72 BELT COVER
21	604221	1	DECAL, DANGER / CHUTE

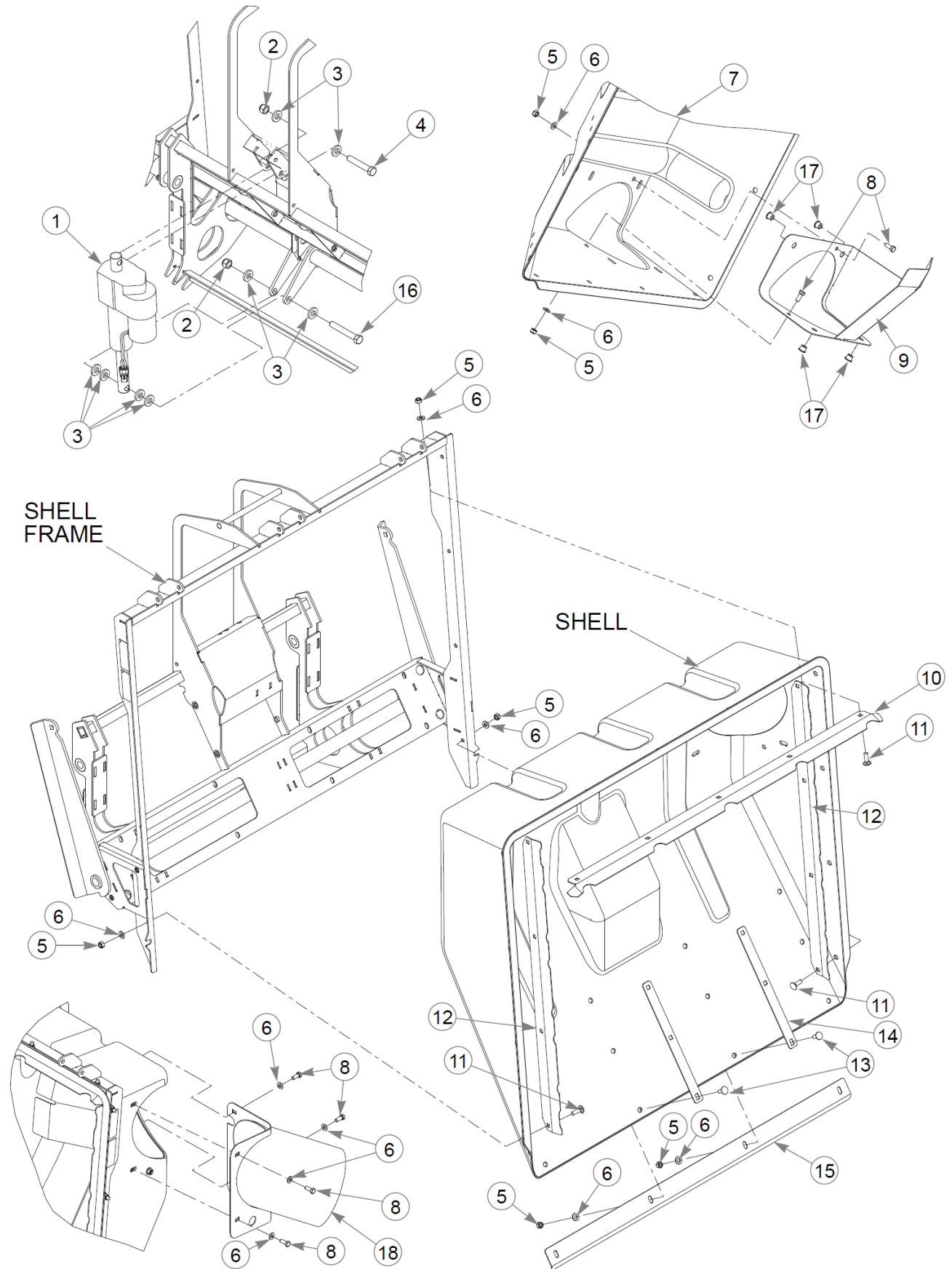


Item	Part No.	Qty	Name
1	016972	2	NT .625-11 HX G5 ZN
2	028118	4	FW 0.625X1.00X.13 ZN
3	791566	1	PULLEY IDLER 3.25"ODX.6
4	602913	1	V-IDLER PULLEY
5	600296	2	SPACER, DECK IDLER
6	122850	1	PULLEY MOUNT W/A
7	601983	1	CS .625-11 X 2.25 HXG5ZN
8	601069	1	CN .312-18x.200 MAX THK
9	025015	1	CS .625-11X2.500HXG5



## Frame

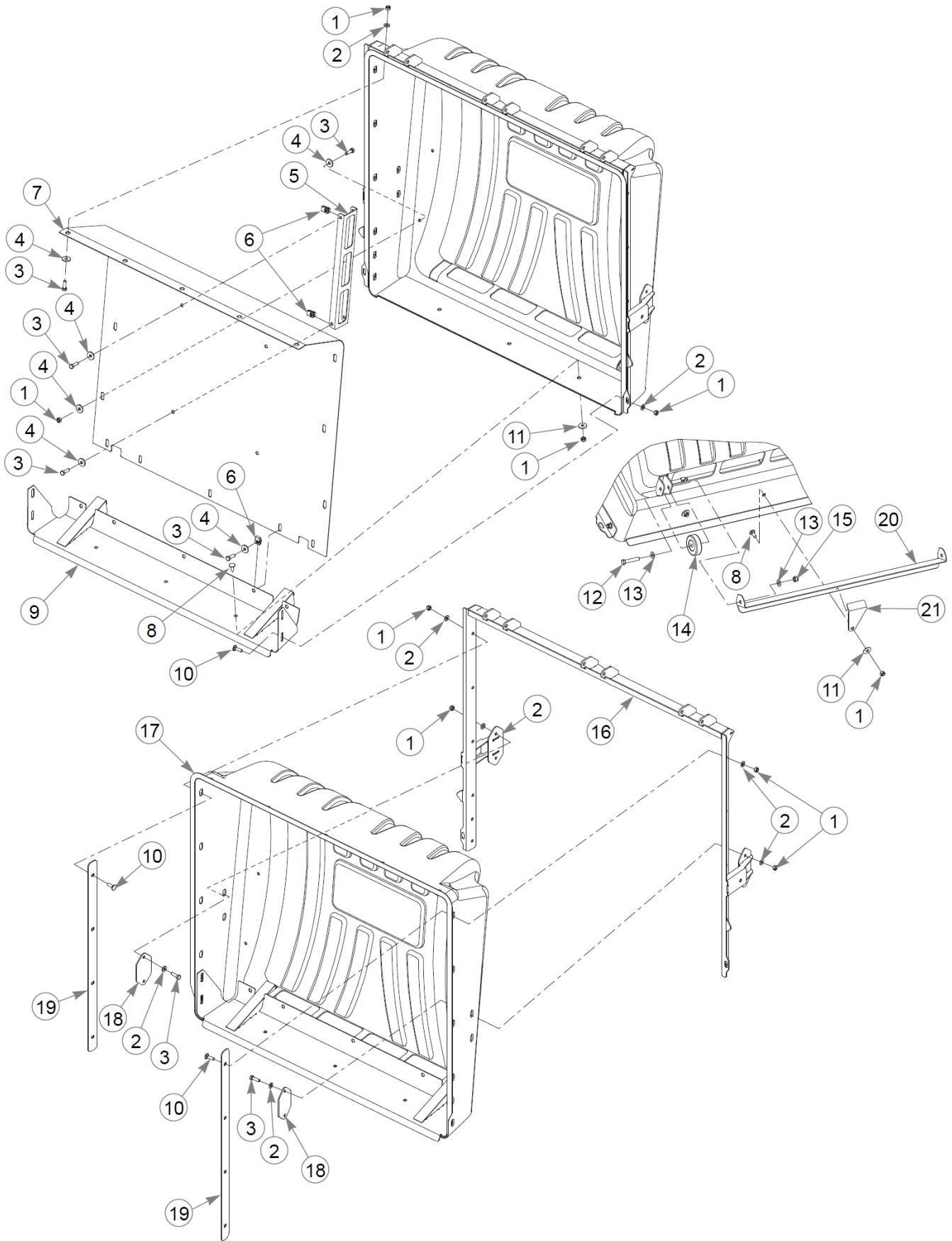
Item	Part No.	Qty	Name
1	115706	1	SHELL FRAME W/A
2	808485	4	RIVET NUT, 5/16-18 THRE
3	015495	3	GREASE FITTING STRAIGHT
4	603940	2	DECAL DUMP FROM SEAT
5	603967	2	DECAL, PINCH POINT
6	808477	2	RIVET NUT, 1/4-20 THREA



**Shell**

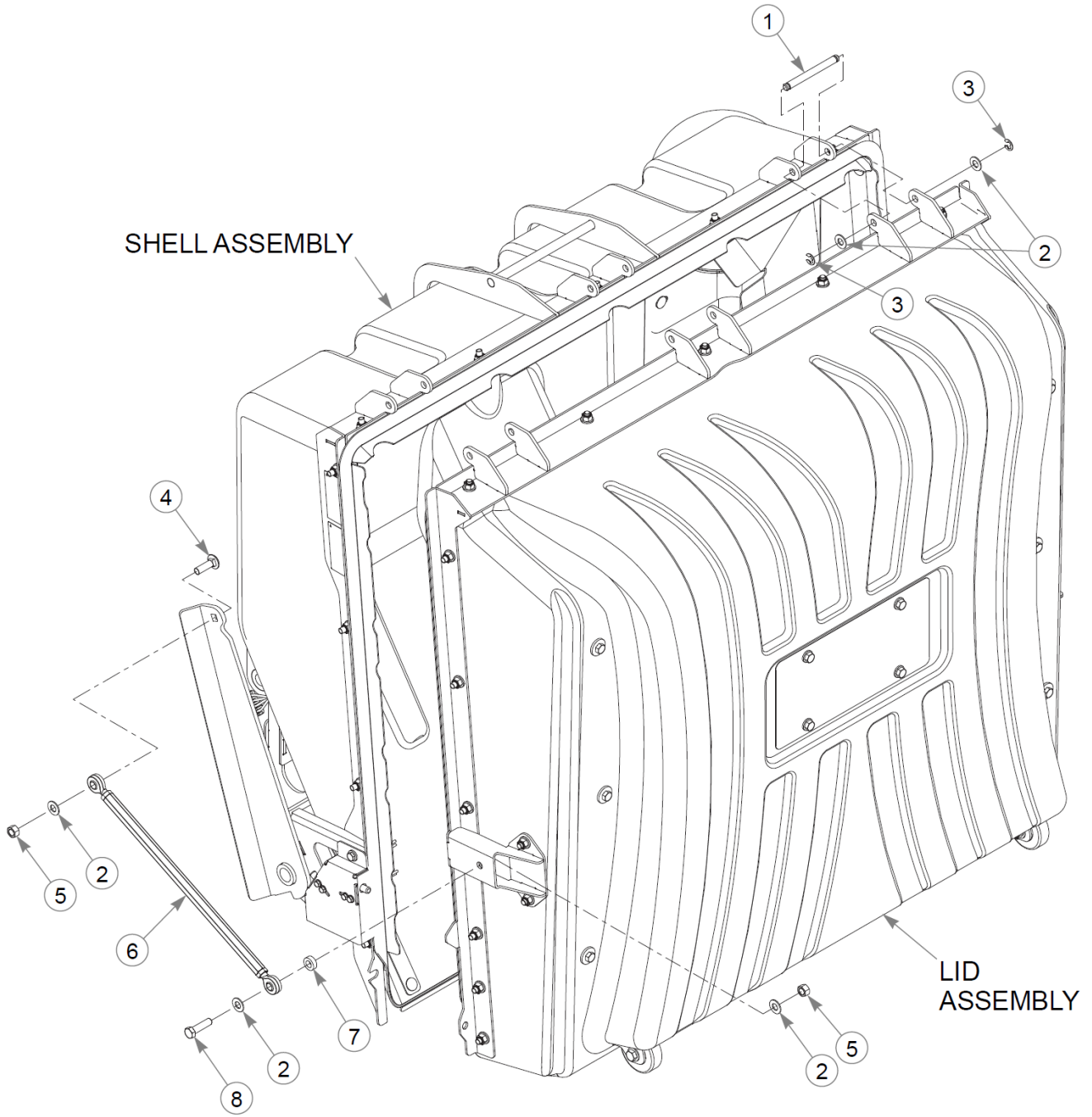
Item	Part No.	Qty	Name
1	603794	1	LINEAR ACTUATOR
2	781567	2	NT .500-13NLG5
3	767962	8	FW .531 x 1.063 x .175
4	721910	1	CS .500-13X2.750HXG5
5	058776	27	NT .312-18NLG5
6	768523	33	FW 0.343SAE
7	603796	1	SHELL, FORMED
8	034280	6	CS .312-18X0.750HXG5
9	119743	1	INSIDE BAFFLE W/A
10	115785	1	TOP BAFFLE
11	037887	13	CB .312-18X 1.000 FUL ZN
12	115782	2	SIDE BAFFLE
13	016253	12	CB .312-18X .750 FUL ZN
14	115701	4	VERTICAL SPANNER
15	115740	1	SHELL SKID PLATE
16	077859	1	CS .500-13X3.250HXG5
17	808485	4	RIVET NUT, 5/16-18 THRE
18	119745	1	OUTSIDE TUBE W/A





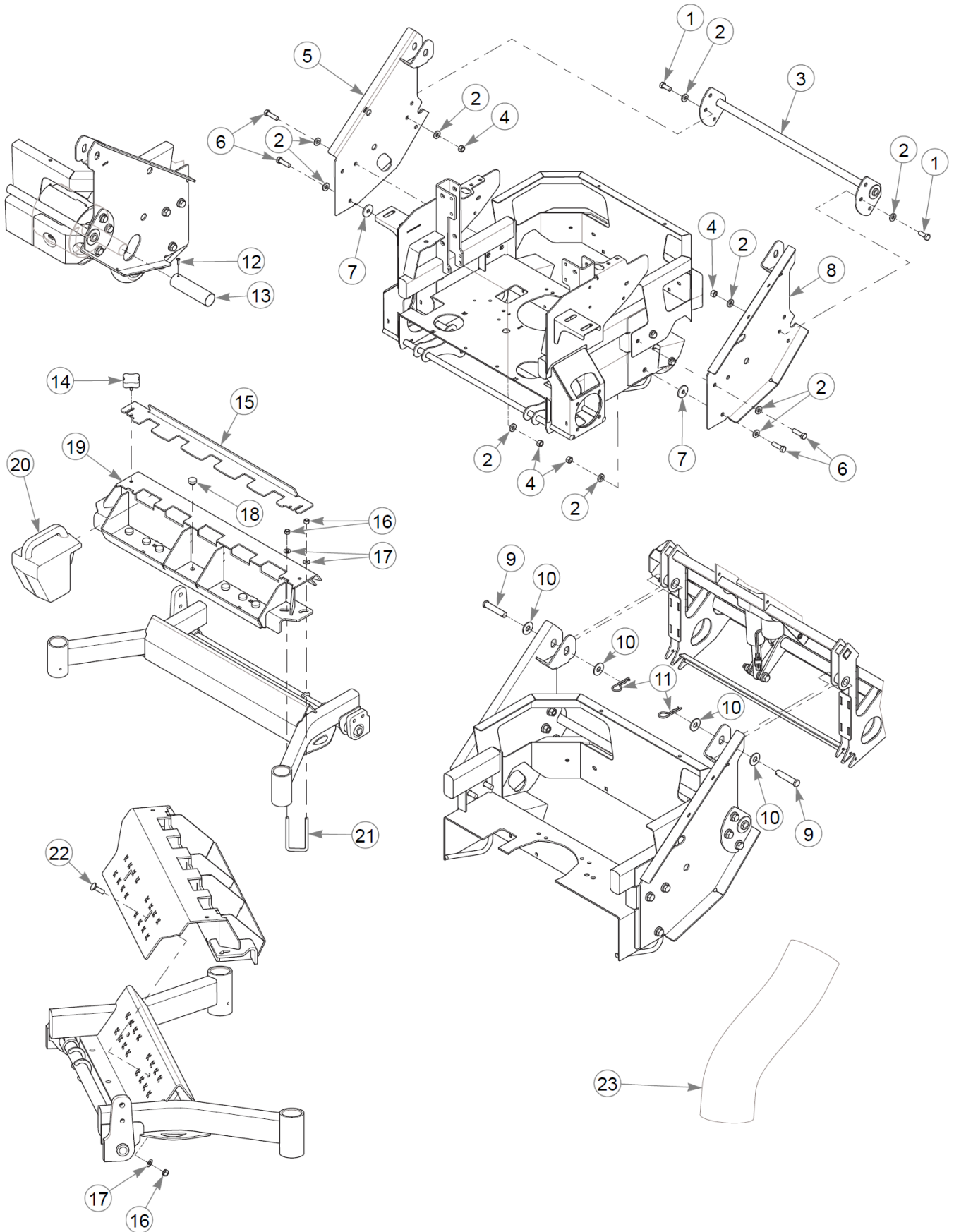
Lid

Item	Part No.	Qty	Name
1	058776	30	NT .312-18NLG5
2	768523	25	FW 0.343SAE
3	036236	24	CS .312-18X1.000HXG5
4	712927	26	FW 0.344X1.00X.12 HD ZN
5	115919	2	SPACER, LID - SCREEN
6	601069	9	CN .312-18x.200 MAX THK
7	115882	1	SCREEN, LID
8	016253	3	CB .312-18X .750 FUL ZN
9	115846	1	BOTTOM PLATE, INSIDE W/A
10	037887	12	CB .312-18X 1.000 FUL ZN
11	079210	3	FW 0.344X1.0X0.06 ZN
12	016410	2	CS .375-16X2.000HXG5
13	767954	4	FW 0.379X.82X.06 HD ZN
14	760181	2	WHEEL 2.5x.75 3/8 BORE
15	086660	2	NT .375-16NLG8
16	115723	1	LID FRAME W/A
17	603797	1	LID, FORMED
18	116116	2	ANCHOR BRKT
19	115783	2	LID, SIDE BAFFLE
20	119893	1	AIR DEFLECTOR
21	119993	1	CENTER DIVIDER BRKT

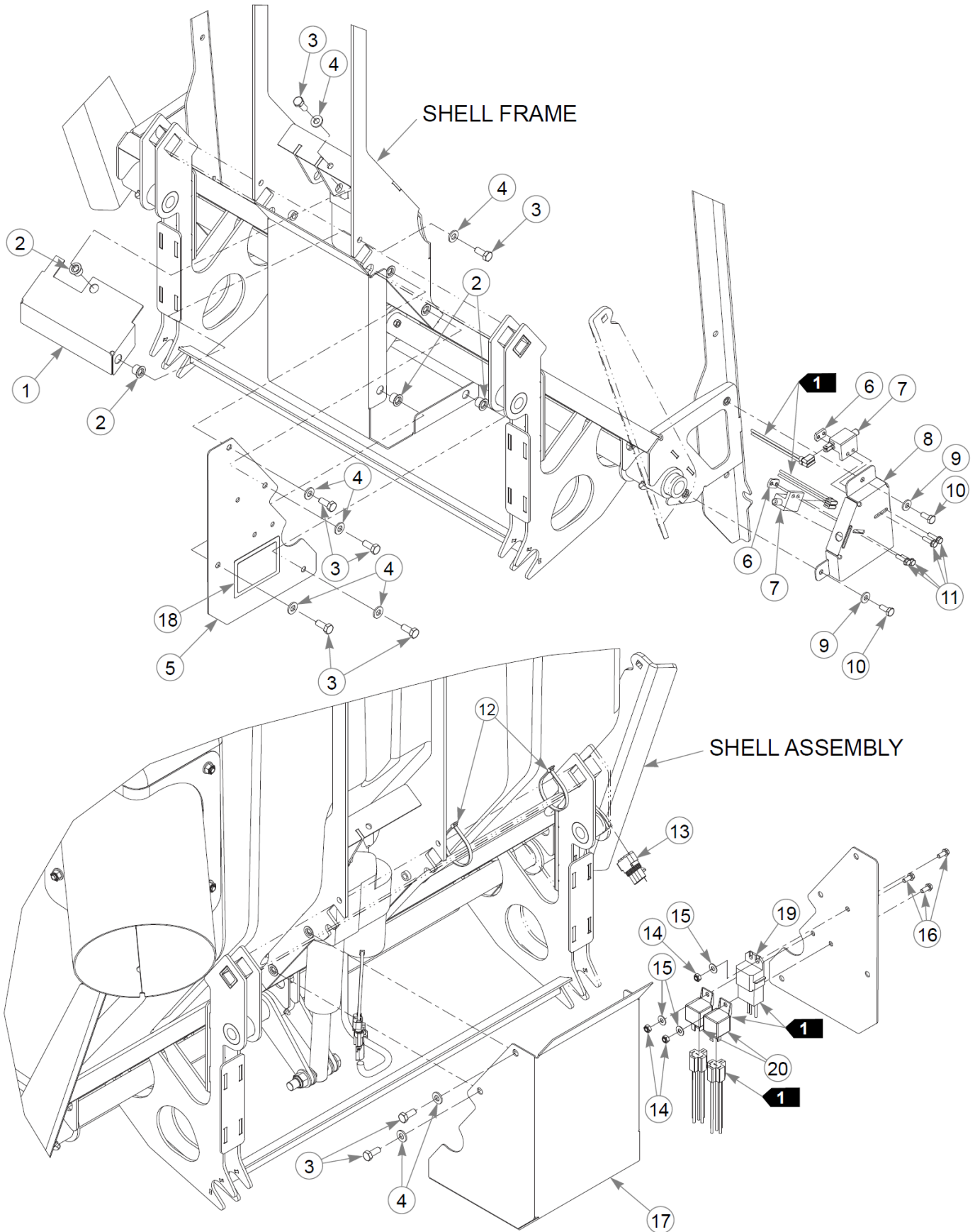


## Linkage

Item	Part No.	Qty	Name
1	603879	3	DFS HINGE PIN
2	767954	12	FW 0.379X.82X.06 HD ZN
3	603332	6	CLIP E .66 X .303 X .035
4	603113	2	CB .375-16X1.250 G5 ZN
5	054502	4	NT .375-16HXG5
6	603878	2	RIGID LINK TURNBUCKLE
7	073858	2	FW .406X .750X.250 ZN
8	005116	2	CS .375-16X1.38 HX G5 ZN

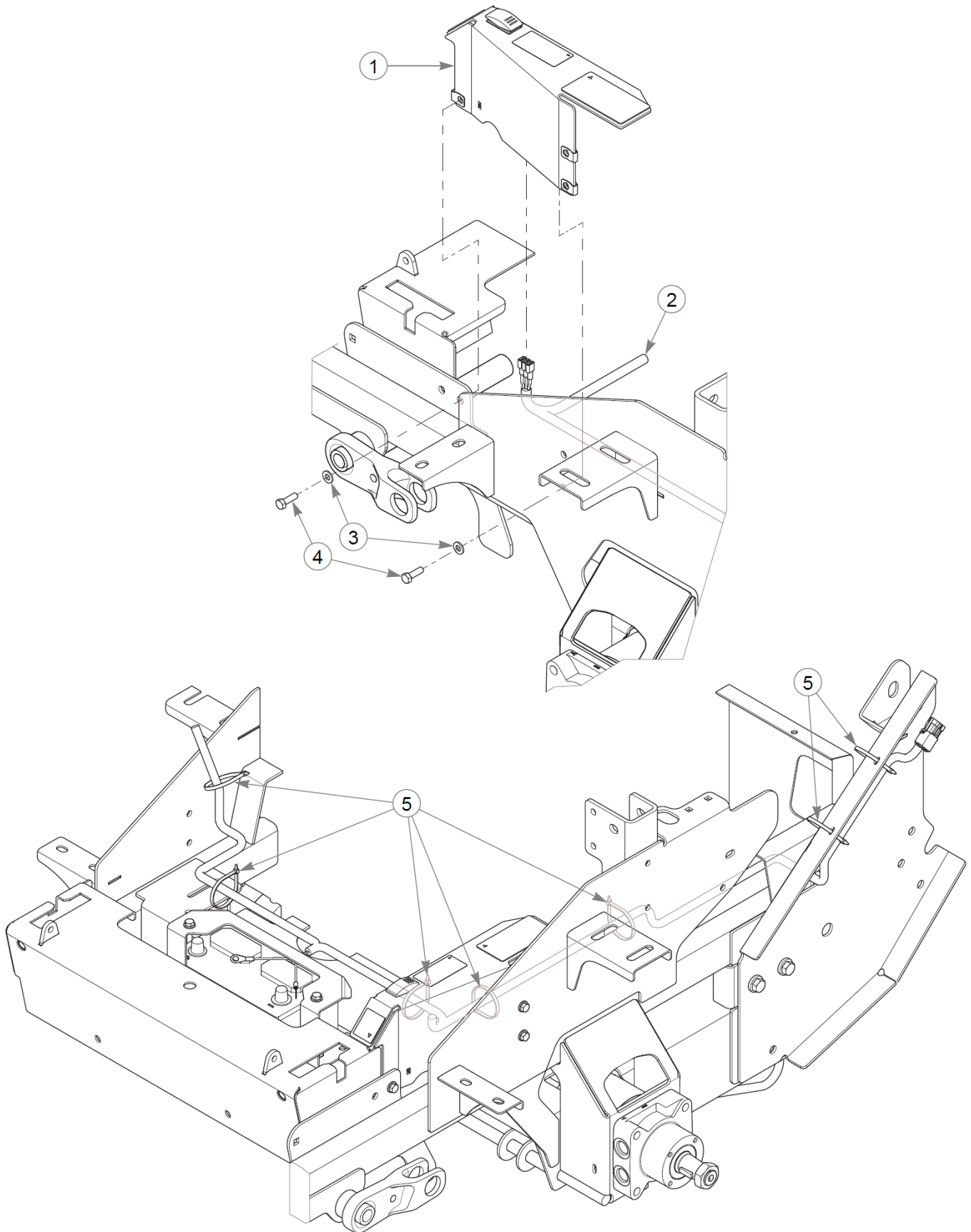


Item	Part No.	Qty	Name
1	705954	6	CS .500-13X1.25 HX G5 ZN
2	767962	22	FW .531 x 1.063 x .175
3	124336-3	1	CROSS MOUNT W/A
4	008193	8	NT .500-13HXG5
5	124331-3	1	RH BV MOUNT W/A
6	017616	6	CS .500-13X1.750HXG5
7	078386	2	FW 0.510X1.75X.18 ZN
8	124333-3	1	LH BV MOUNT W/A
9	053702	2	CE0.620X3.00X0.15X2.84
10	704783	4	FW 0.625X1.500X0.105
11	023036	2	HP 0.148X2.690
12	769299	1	SC #10-24x0.750BH
13	604576	1	MUFFLER EXT. 1.5"
14	792002	2	KNOB,5/16-18 X 3/4"MALE
15	118125	1	PLATE, WEIGHT LOCK 5
16	086660	6	NT .375-16NLG8
17	767954	6	FW 0.379X.82X.06 HD ZN
18	781880	8	BUMPER, .500x 1.00x .31
19	122480	1	WEIGHT MOUNT W/A
20	603207	5	WEIGHT, 3 BAG CATCHER
21	604423	2	UB.375-16 x 2.00 x 4.50
22	603113	2	CB .375-16X1.250 G5 ZN
23	603356	1	8" CLEAR FLEX TUBE SZ



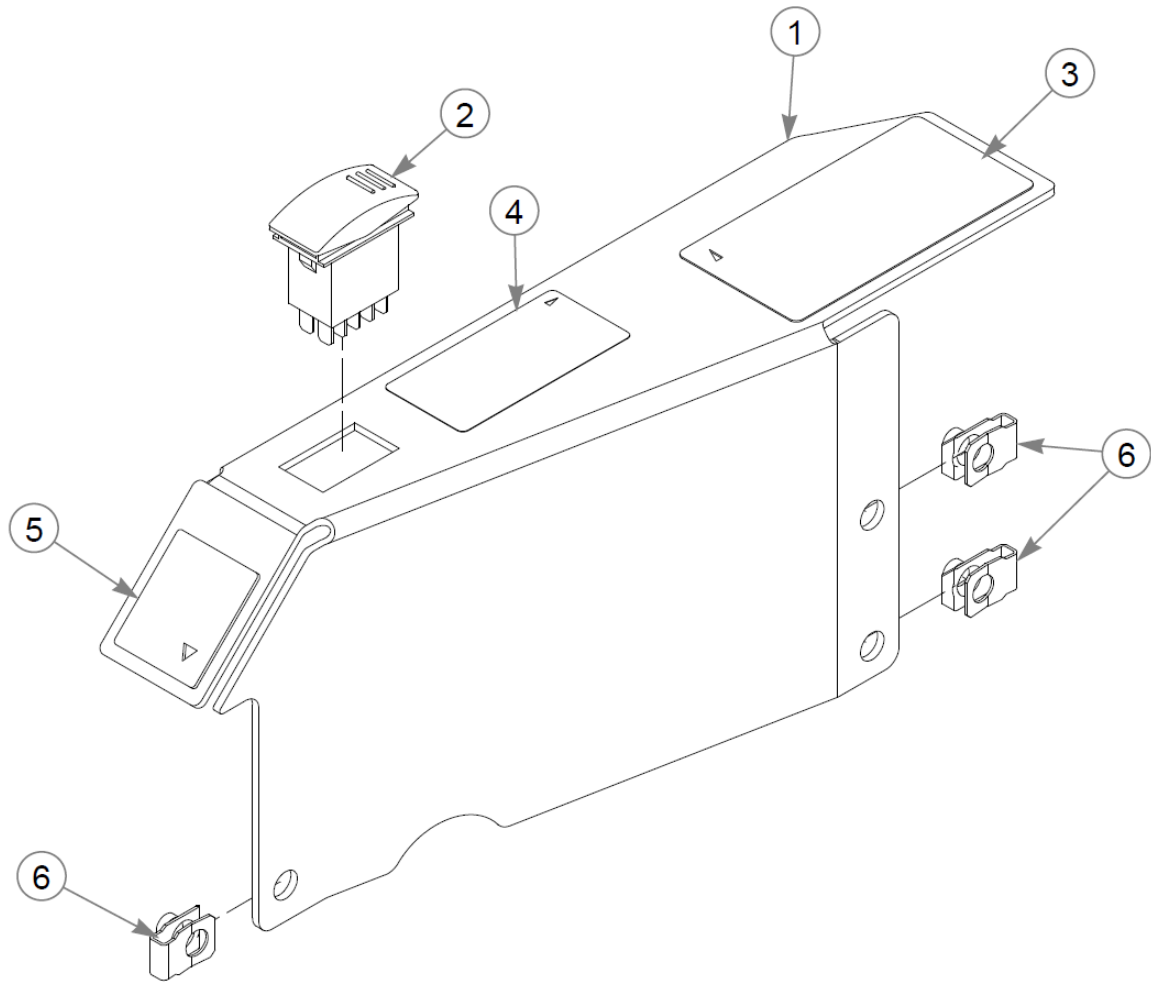
Item	Part No.	Qty	Name
1	115711	1	ACTUATOR TOP LID
2	808485	5	RIVET NUT, 5/16-18 THRE
3	034280	9	CS .312-18X0.750HXG5
4	768523	9	FW 0.343SAE
5	116213	1	CONTROL BOX COVER
6	601822	2	NUT PLATE, .420 CENTERS
7	603937	2	SWITCH, PLUNGER, N.C.
8	116200	1	SWITCH CONTROL BOX
9	768515	2	FW 0.281SAE
10	064329	2	CS .250-20X0.625HXG5
11	063198	4	CS #10-24X0.750FLKG5
12	000331	4	WIRE TIE, SMALL/SHORT
13	603936	1	WIRE HARNESS, DFS SHELL
14	059832	3	NT #10-24 HX NL ZN
15	017079	3	FW .250SAE
16	060731	3	CS 10-24X .500 HXFLK ZN
17	115731	1	ACTUATOR LID BOTTOM
18	N/A	1	SERIAL NO. / SPEC DECAL
19	762195	1	DELAY MODULE
20	601053	2	RELAY, SEALED W/BRACKET





## Wire Harness

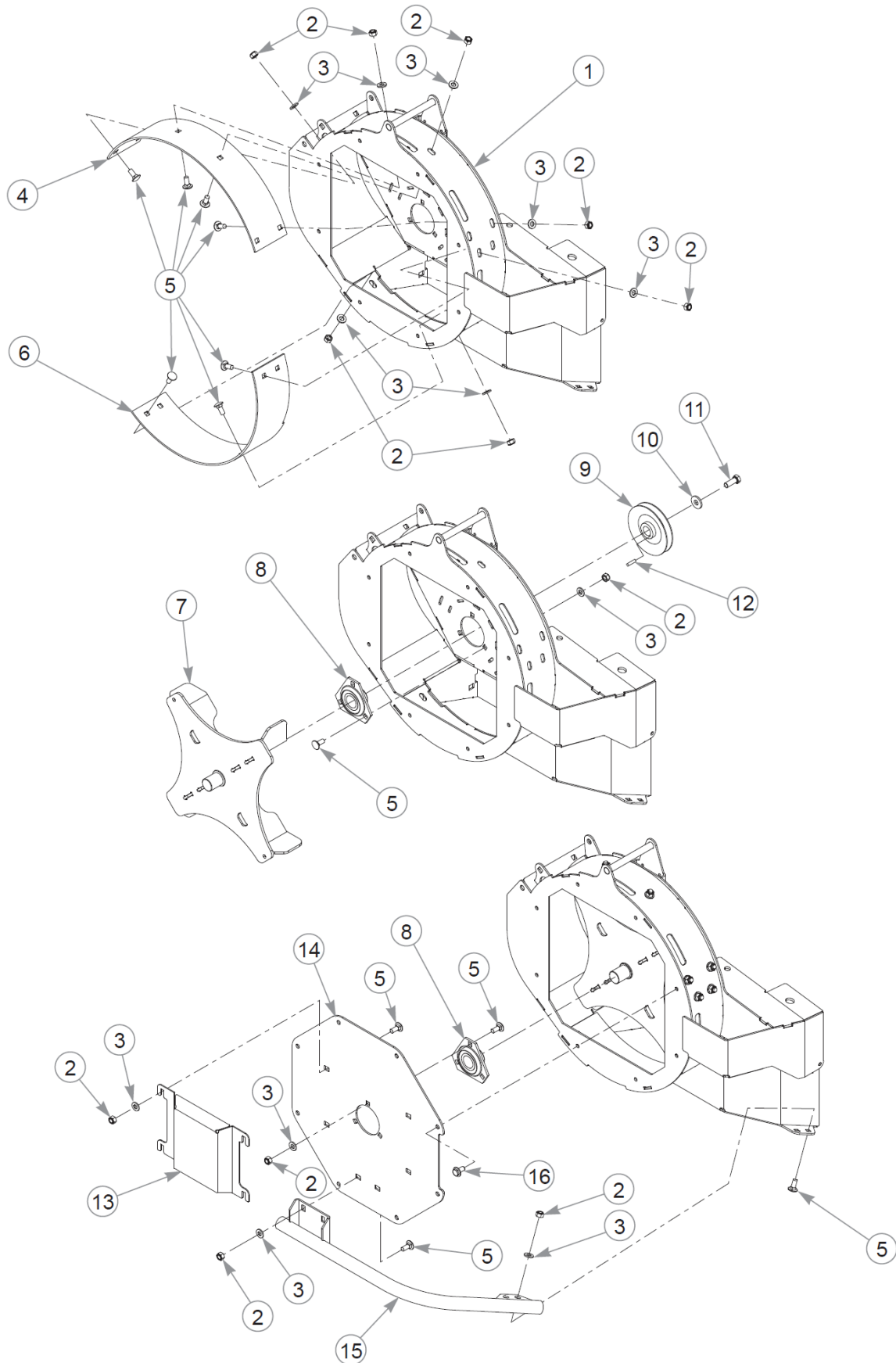
Item	Part No.	Qty	Name
1	N/A	1	FRAME COVER F/A
2	603935	1	WIRE HARNESS, DFS MOWER
3	768523	3	FW 0.343SAE
4	036236	3	CS .312-18X1.000HXG5
5	000331	7	WIRE TIE, SMALL/SHORT



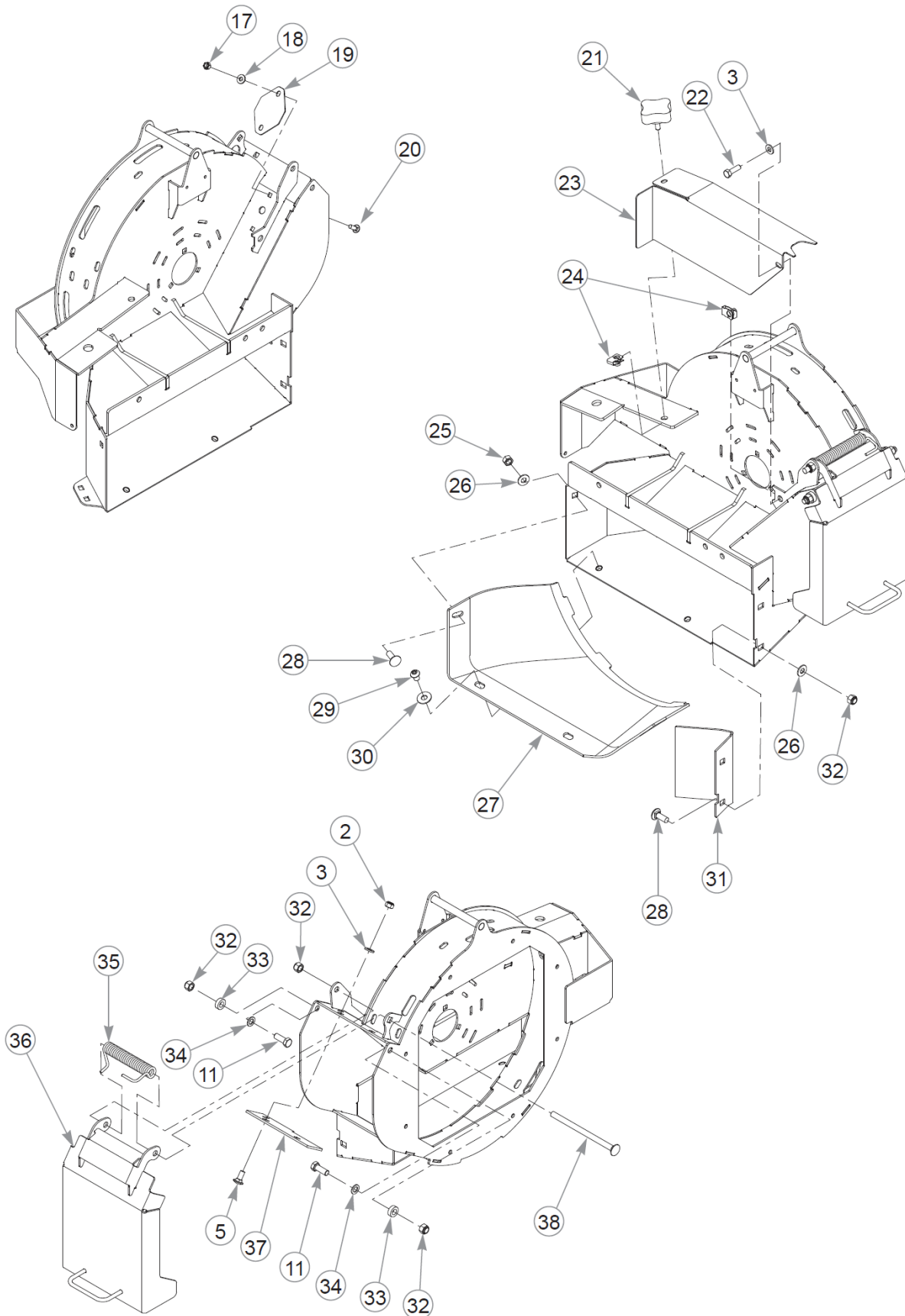
Item	Part No.	Qty	Name
1	551515	1	SVC SWITCH COVER, SZ
2	797308	1	SWITCH, ROCKER SPDT
3	600899	1	DECAL, PUMP BELT WARNING
4	604049	1	DECAL, HOPPER POSITION
5	785139	1	DECAL, STEERING L.S.
6	601069	3	CN .312-18x.200 MAX THK

Comments for Page: Frame Cover Breakdown

1. The switch cover includes the decals.

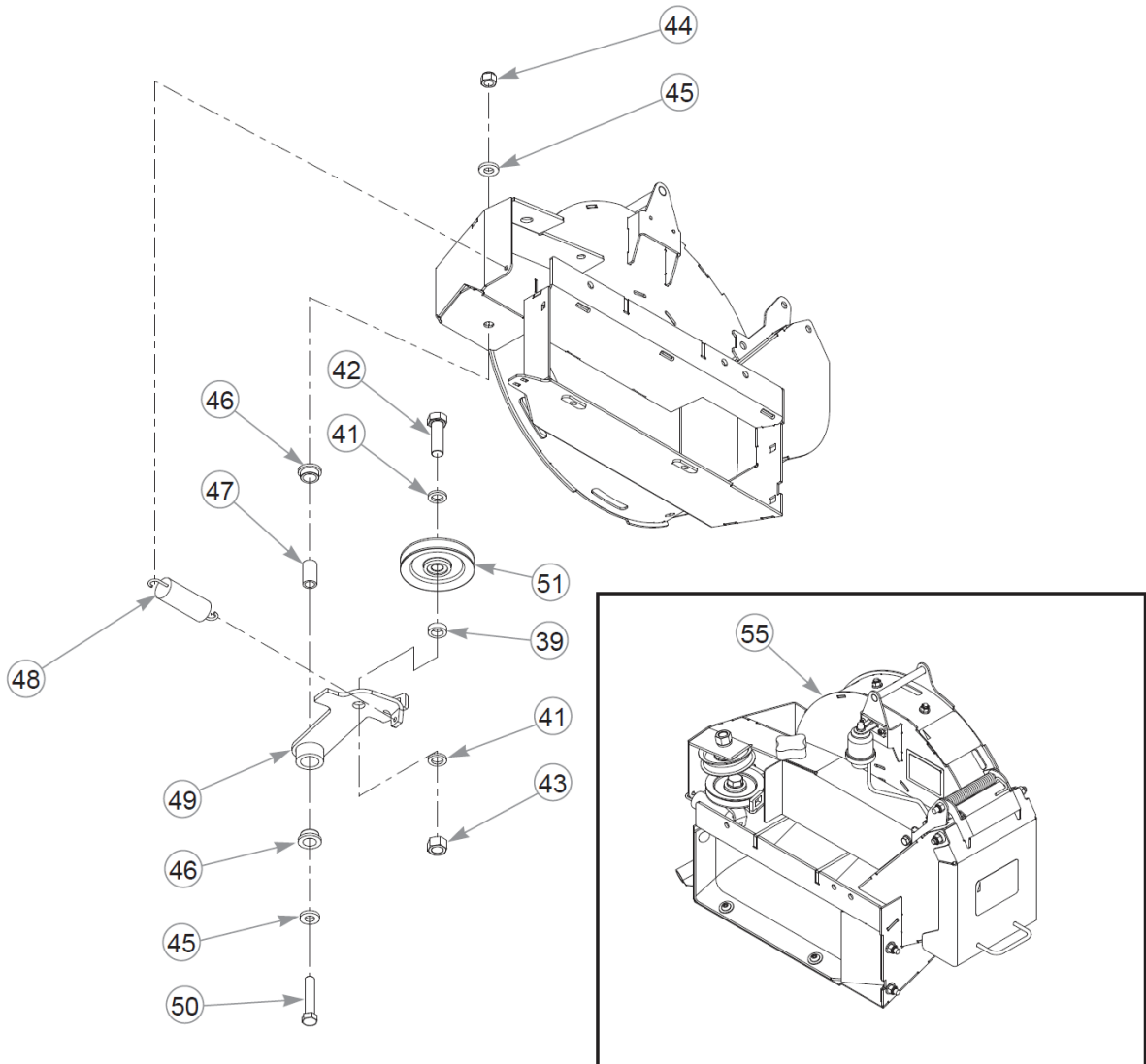
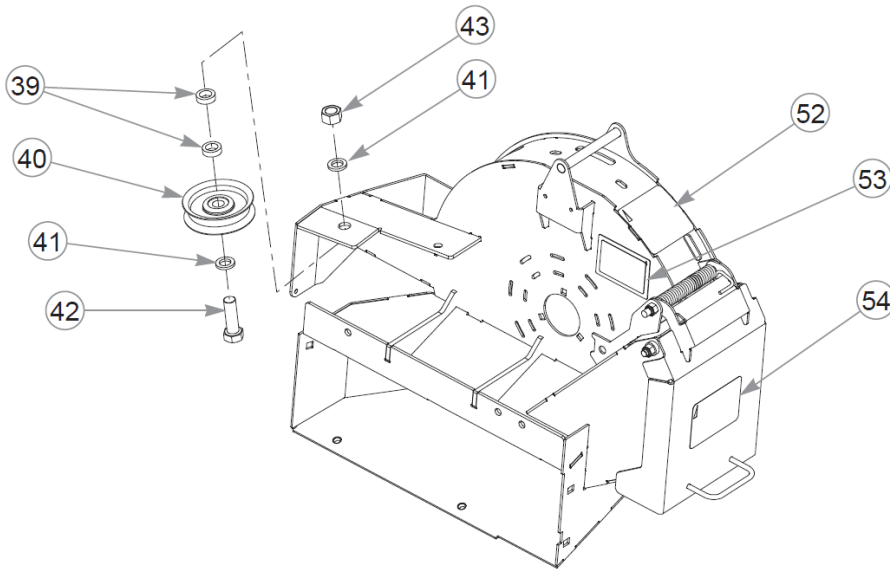


This page intentionally left blank



This page intentionally left blank





Item	Part No.	Qty	Name
1	N/A	1	BLOWER HOUSING (NOT SOLD SEPARATELY)
2	058776	27	NT .312-18NLG5
3	768523	28	FW 0.343SAE
4	119870	1	TOP WRAPPER INSERT
5	016253	27	CB .312-18X .750 FUL ZN
6	119871	1	BOTTOM WRAPPER INSERT
7	119510	1	IMPELLER W/A
8	604264	2	BEARING, 1.0" BORE FLANG
9	602912	1	PULLEY, DRIVEN
10	712919	1	FW 0.406X1.00X.12 HD ZN
11	036244	3	CS .375-16X1.00 HX G5 ZN
12	322529	1	KEY .187 SQ X .750 LONG
13	114337	1	BEARING COVER
14	119874	1	BLOWER COVER
15	119741	1	GUARD W/A
16	799130	8	CS .312-18X .625 HXFL
17	068551	2	NT .250-20 HXZY NL
18	768515	2	FW 0.281SAE
19	120615	1	COVER PLATE
20	794784	2	CB .250-20 X .75 FUL ZN
21	792002	1	KNOB,5/16-18 X 3/4"MALE
22	036236	1	CS .312-18X1.000HXG5
23	120266	1	DRIVEN PULLEY COVER
24	601069	2	CN .312-18x.200 MAX THK
25	054502	1	NT .375-16HXG5
26	767954	3	FW 0.379X.82X.06 HD ZN
27	603191	1	BLOWER CHUTE INLET
28	025395	3	CB .375-16X 1.00 G5 ZN
29	774919	2	CS .375-16x .500 SOC BH
30	076422	2	FW 0.406X1.00X.06 ZN
31	113128	1	BLOWER INLET BAFFLE
32	086660	5	NT .375-16NLG8
33	073858	2	FW .406X .750X.250 ZN
34	704718	2	FW .406X .688X.060 ZN
35	602435	1	SPRING, TORSION
36	550995	1	SVC PART, BLOWER LID

This page intentionally left blank

Item	Part No.	Qty	Name
37	119872	1	ABRASION GUARD
38	602674	1	CB .375-16X6.00 STD
39	600296	3	SPACER, DECK IDLER
40	791566	1	PULLEY IDLER 3.25"ODX.6
41	028118	4	FW 0.625X1.00X.13 ZN
42	016642	2	CS .625-11X2.000HXG5
43	016972	2	NT .625-11 HX G5 ZN
44	781567	1	NT .500-13NLG5
45	767962	2	FW .531 x 1.063 x .175
46	770867	2	BUSHING, PLAS .750x1(FS)
47	109549	1	BUSHING, IDLER PIVOT
48	036384	1	SPRING 1/4 COIL PL 1.23
49	113406	1	BLOWER IDLER ARM
50	008573	1	CS .500-13X2.500HXG5
51	602913	1	V-IDLER PULLEY
52	602757	1	DECAL, BLOWER DANGERS
53	N/A	1	SERIAL NUMBER / SPEC DECAL
54	602758	1	DECAL, EYES/EARS/FOOT
55	120332	1	VX4 BLOWER MODULE

Comments for Page: Blower (Multi-Page)

1. The blower lid includes decals.