

# Hustler® Parts Manual



**HUSTLER®**  
TURF EQUIPMENT

200 South Ridge Road

Hesston, Kansas

67062



#### NOTICE OF REQUIREMENT OF SPARK ARRESTER MUFFLER

This equipment may create sparks that can start fires around dry vegetation. California Public Resources Code Section 4442.6 provides that it is unlawful to use or operate an internal combustion engine on any forest-covered, brush-covered, or grass-covered land unless the engine is equipped with a spark arrester maintained in effective working order. A spark arrester is a device constructed of nonflammable materials specifically for the purpose of removing and retaining carbon and other flammable particles over 0.0232 of an inch in size from the exhaust flow of an internal combustion engine that uses hydrocarbon fuels or which is qualified and rated by the United States Forest Service. Other states or federal areas may have similar laws. The Operator Should Contact Local Fire Agencies For Laws or Regulations Relating to Fire Prevention Requirements. **THIS EQUIPMENT DOES NOT HAVE A SPARK ARRESTER AND YOU SHOULD CONTACT YOUR AUTHORIZED DEALER FOR THE PURCHASE OF A SPARK ARRESTER.**

Inspect spark arrester daily; replace every 500 hours or as needed.

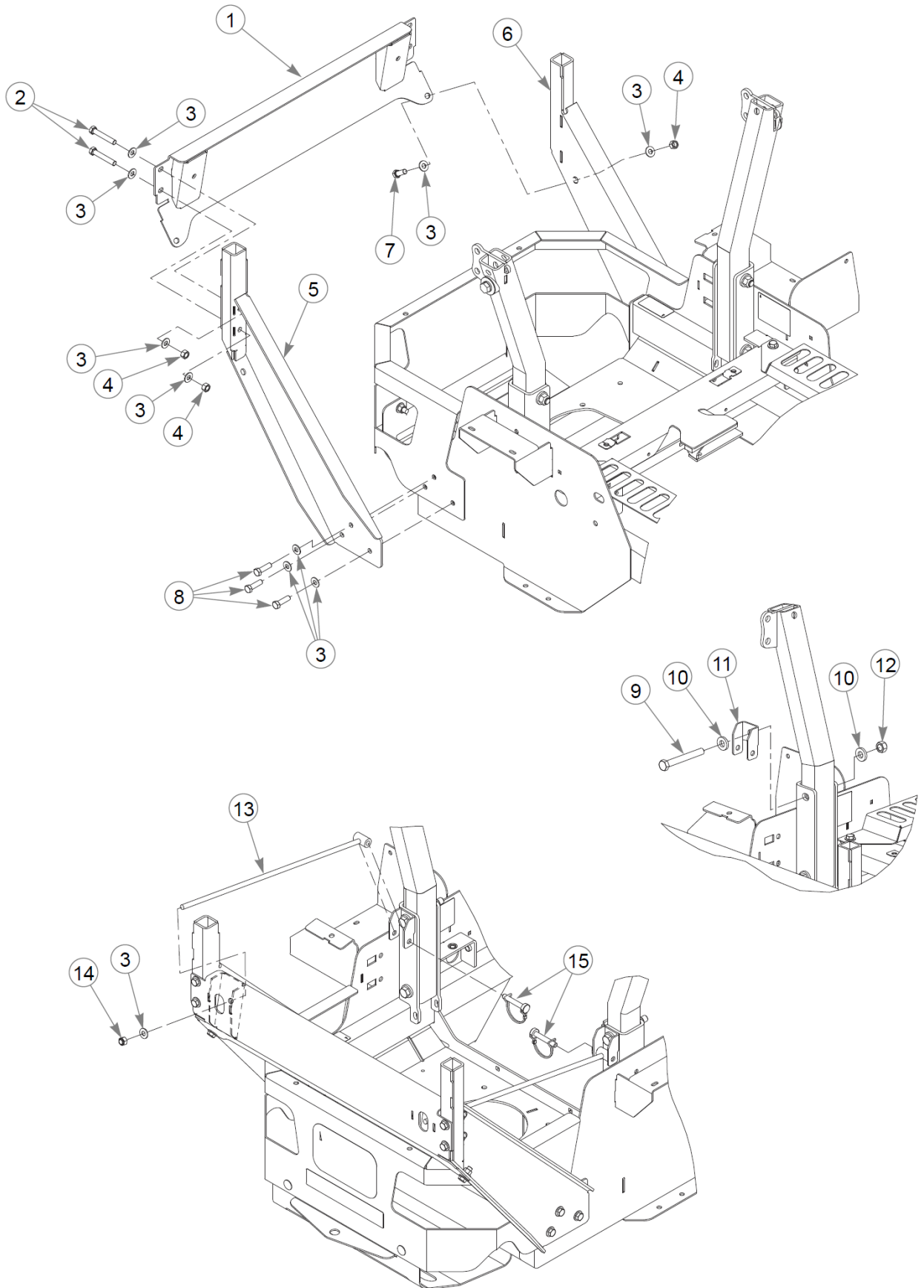
The Engine Owner's Manual provides information regarding the U.S. Environmental Protection Agency (EPA) and the California Emission Control Regulation of emission systems, maintenance and warranty.

Keep Engine Owner's Manual with your unit. Should the Engine Owner's Manual become damaged or illegible, replace immediately. Replacements may be ordered per the information found in the Product Information section of the owner's manual.

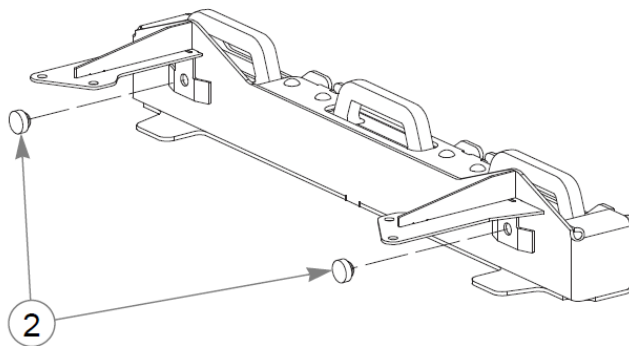
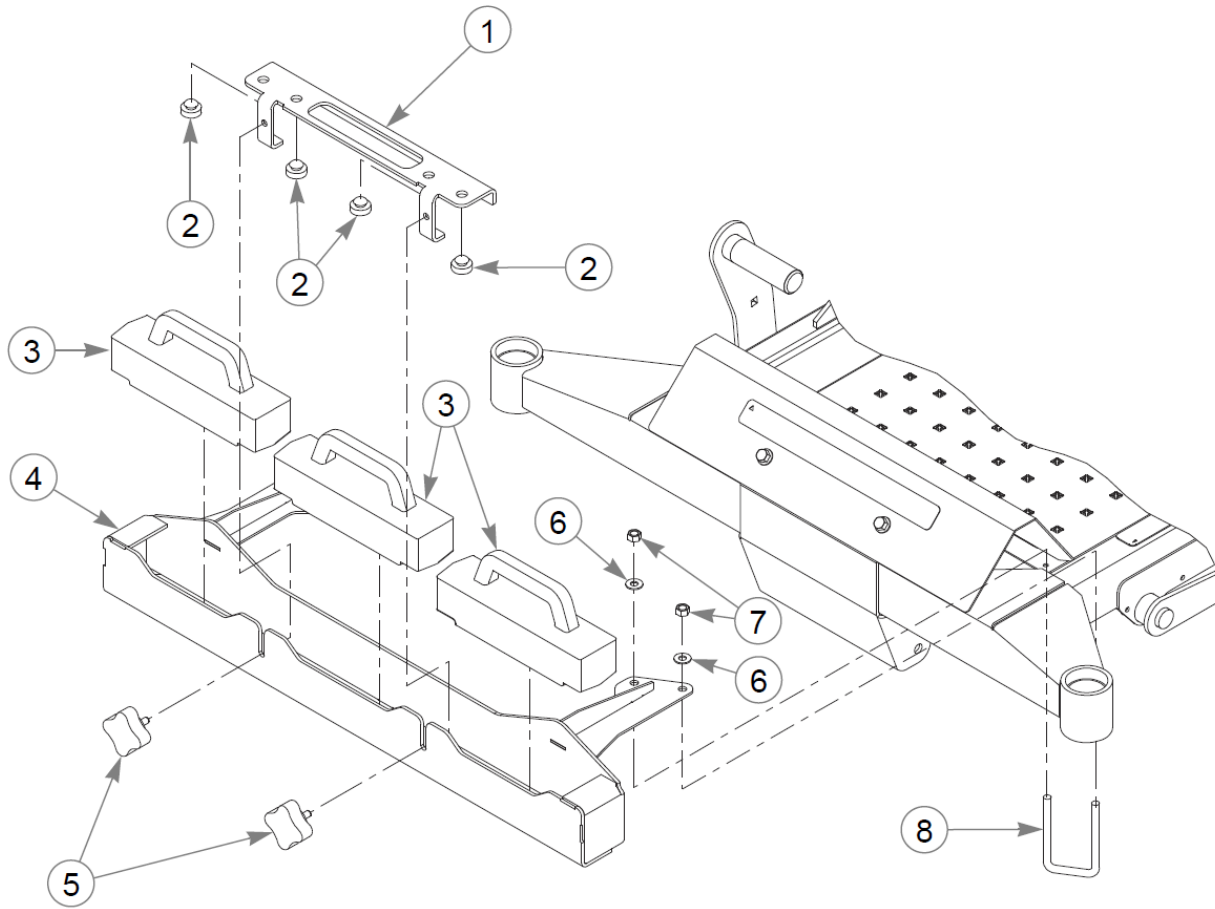
Federal law and California State law prohibit the following acts or the causing thereof:

1. The removal or rendering inoperative by any person other than for purposes of maintenance, repair, replacement, of any device or element of design incorporated into any equipment for the purposes of emissions control prior to or after its sales or delivery to the ultimate purchaser or while it is in use, or
2. The use of the equipment after such device or element of design has been removed or rendered inoperative by any person.

Frame Adapter	1
Frame Weights	2
2 Bag Catcher	3
Plastic Lid - 602603 & 606940	4
Chute & Bags	5
Blower	6
Pulley Mount Assembly	7
48" Catcher Adapter	8
54" Catcher Adapter	9
60" Catcher Adapter	10

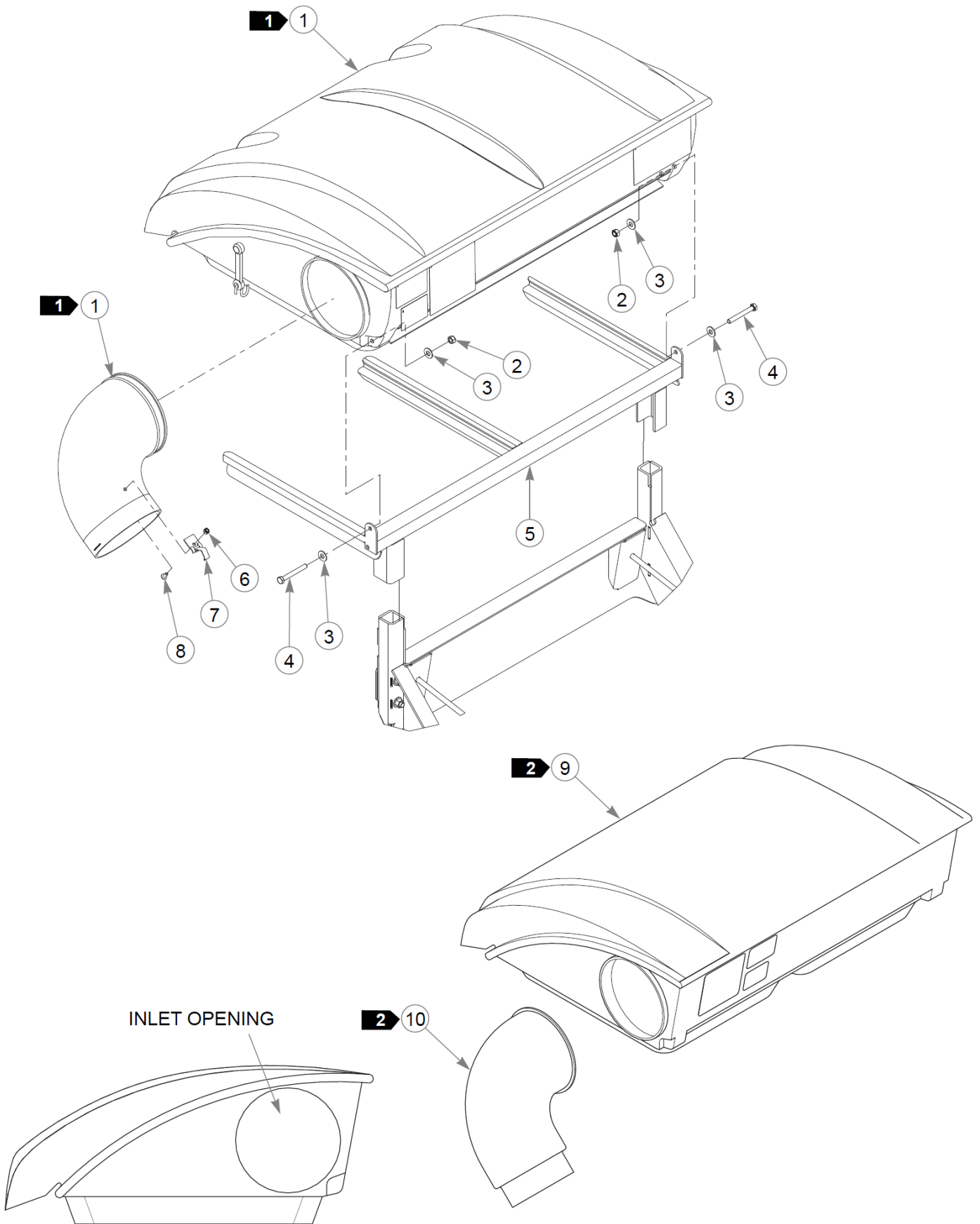


Item	Part No.	Qty	Name
1	120876	1	MOUNT SUPPORT W/A
2	056036	4	CS .375-16X2.250HXG5
3	767954	20	FW 0.379X.82X.06 HD ZN
4	054502	6	NT .375-16HXG5
5	120872	1	CATCHER MOUNT RH
6	120873	1	CATCHER MOUNT LH
7	036244	2	CS .375-16X1.00 HX G5 ZN
8	052860	6	CS .375-16X1.25 HX G5 ZN
9	089938	2	CS .500-13X4.000HXG5
10	767962	4	FW .531 x 1.063 x .175
11	121073	2	TENSION ROD MOUNT
12	023317	2	NT .500-13UNTG8
13	121283	2	TENSION ROD W/A
14	086660	2	NT .375-16NLG8
15	604803	2	CE .375 x 2.00 W/BALE



## Frame Weights

Item	Part No.	Qty	Name
1	120828	1	WEIGHT LOCK W/A
2	781880	6	BUMPER, .500x 1.00x .31
3	604375	3	WEIGHT 18 LBS
4	120826	1	WEIGHT TRAY W/A
5	792002	2	KNOB,5/16-18 X 3/4"MALE
6	054502	4	NT .375-16HXG5
7	767954	4	FW 0.379X.82X.06 HD ZN
8	603340	2	UB .375-16X2.00X4.00 SQ



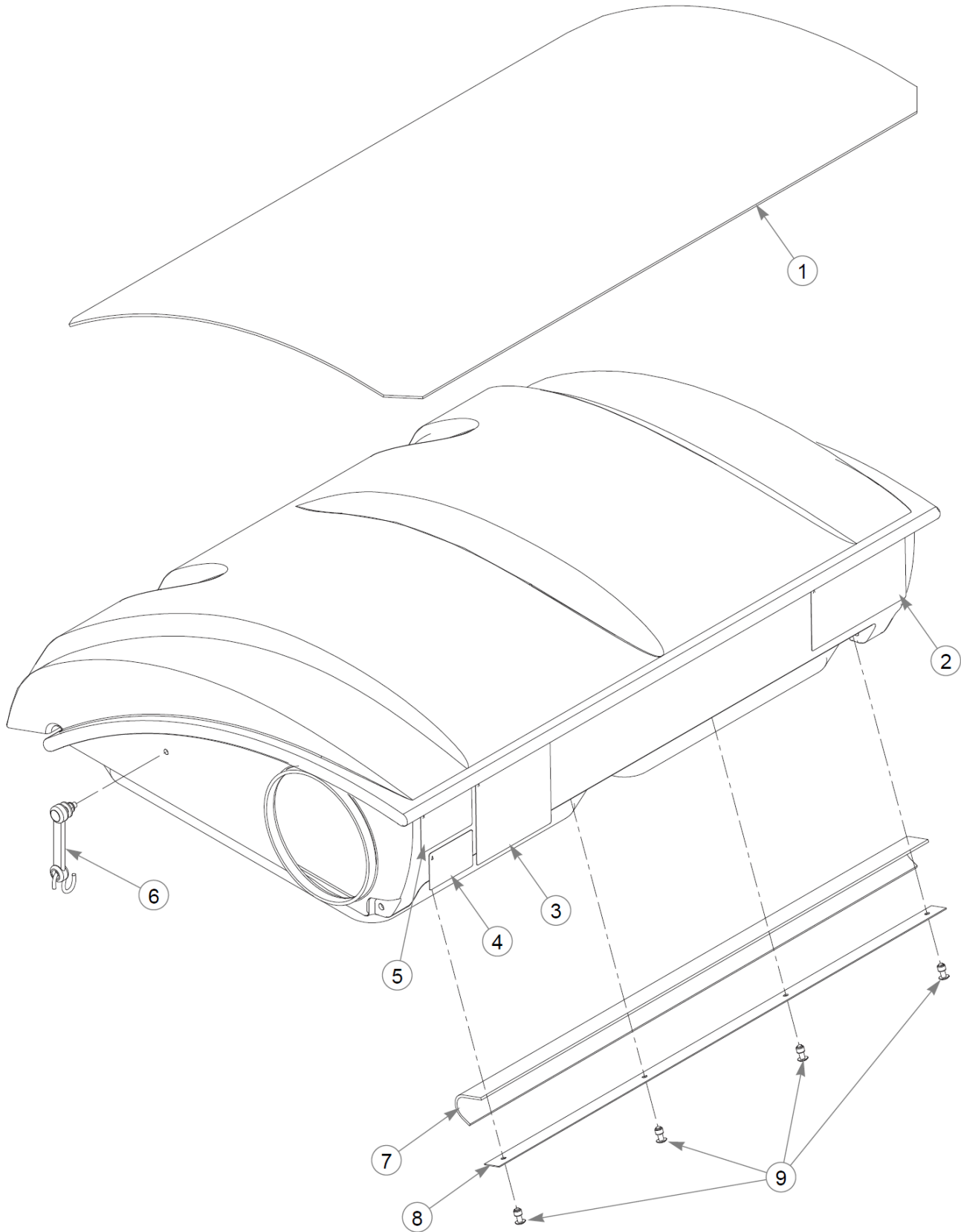


## 2 Bag Catcher

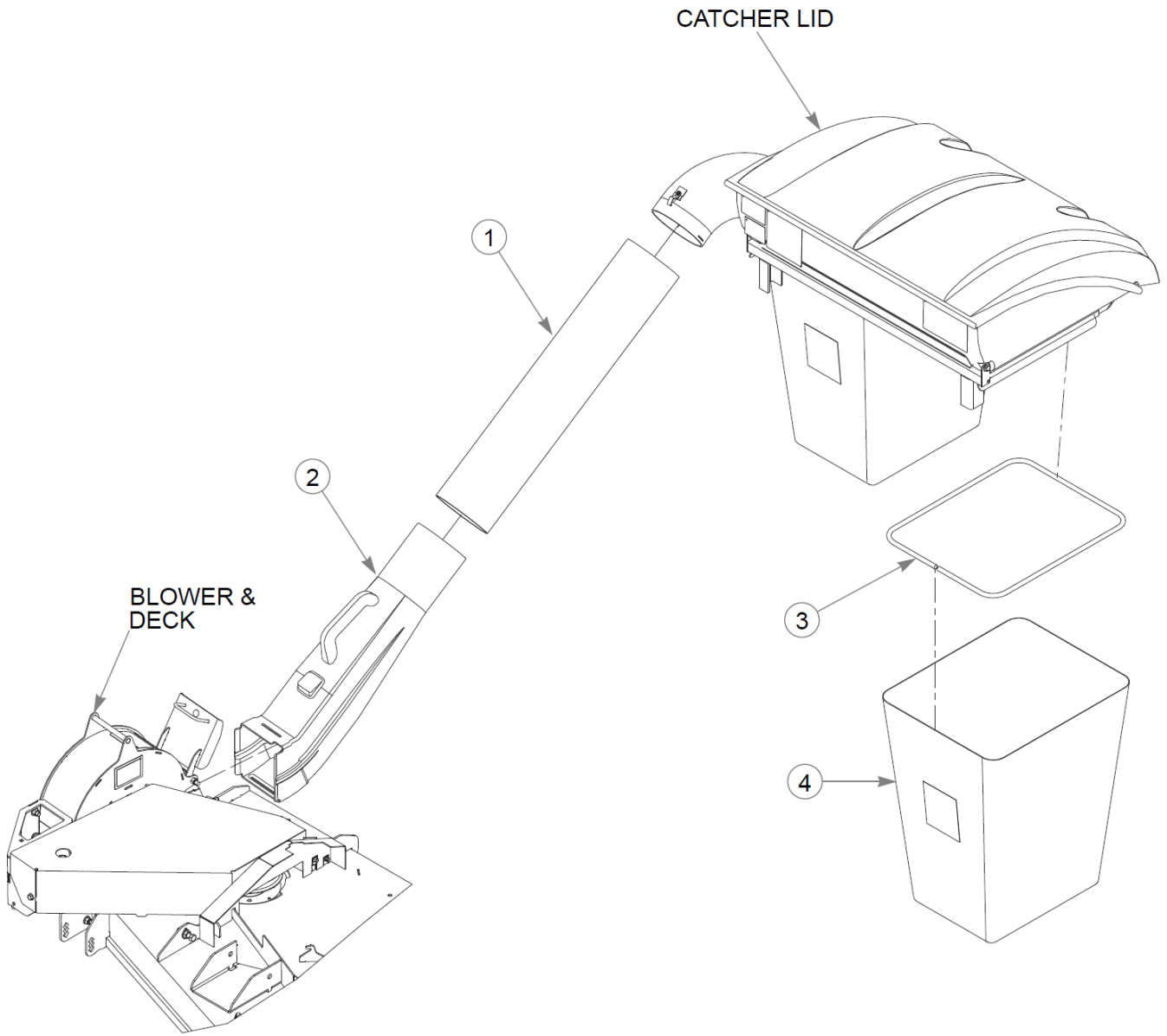
Item	Part No.	Qty	Name
1	607410	1	SVC CATCHER LID
2	058776	2	NT .312-18NLG5
3	767954	4	FW 0.379X.82X.06 HD ZN
4	710087	2	CS .312-18X2.500HXG5
5	606938	1	CATCHER FRAME
6	059832	1	NT #10-24 HX NL ZN
7	602830	1	SNAP FASTNER
8	060723	1	MS #10-24 X .500 TH SL
9	606940	1	CATCHER LID
10	606941	1	INLET ELBOW

Comments for Page: 2 Bag Catcher

1. To be used as replacement parts for catcher lids with a 6.30" diameter inlet opening.
2. To be used as replacement parts for catcher lids with a 7.60" diameter inlet opening.

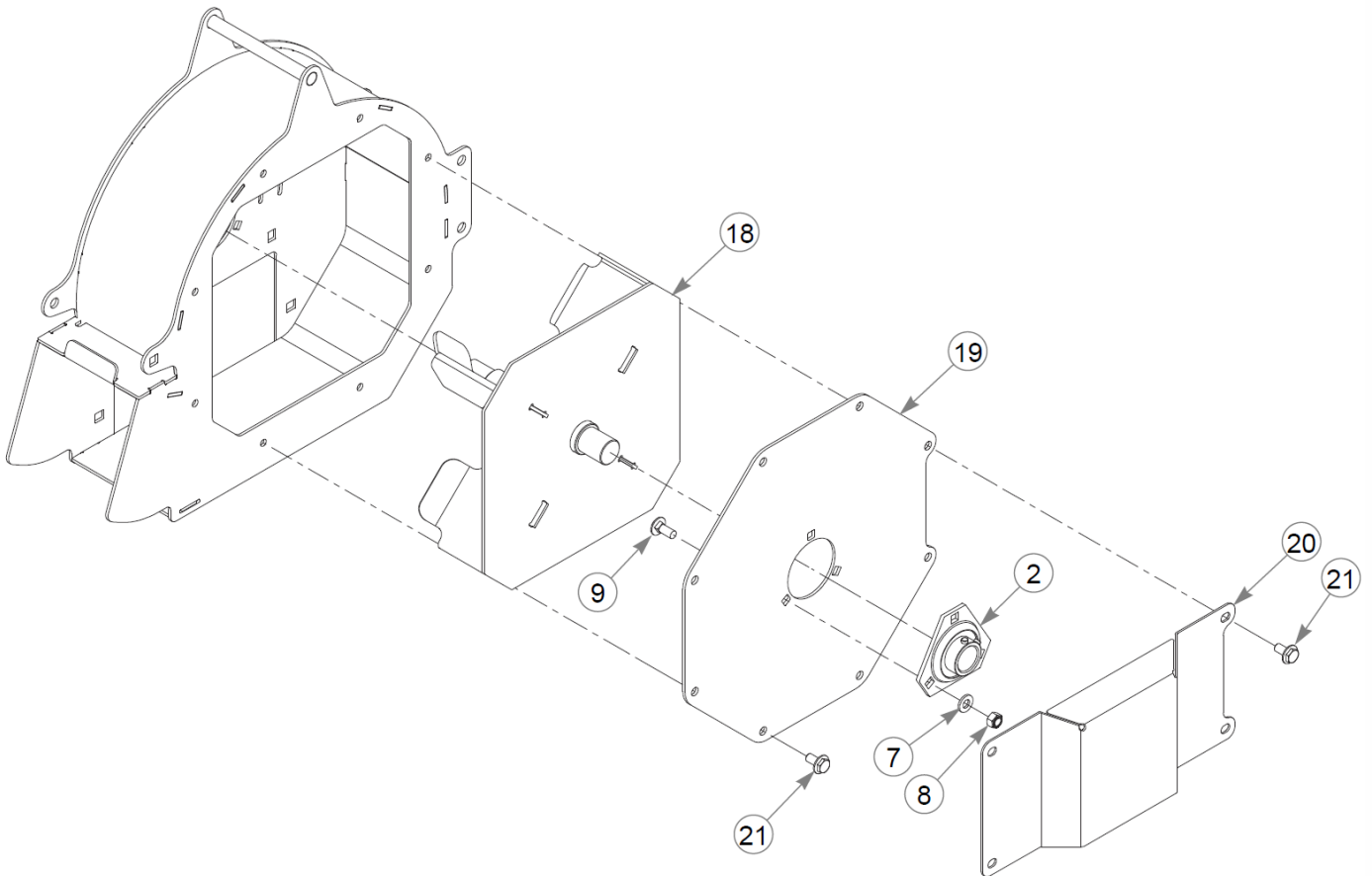
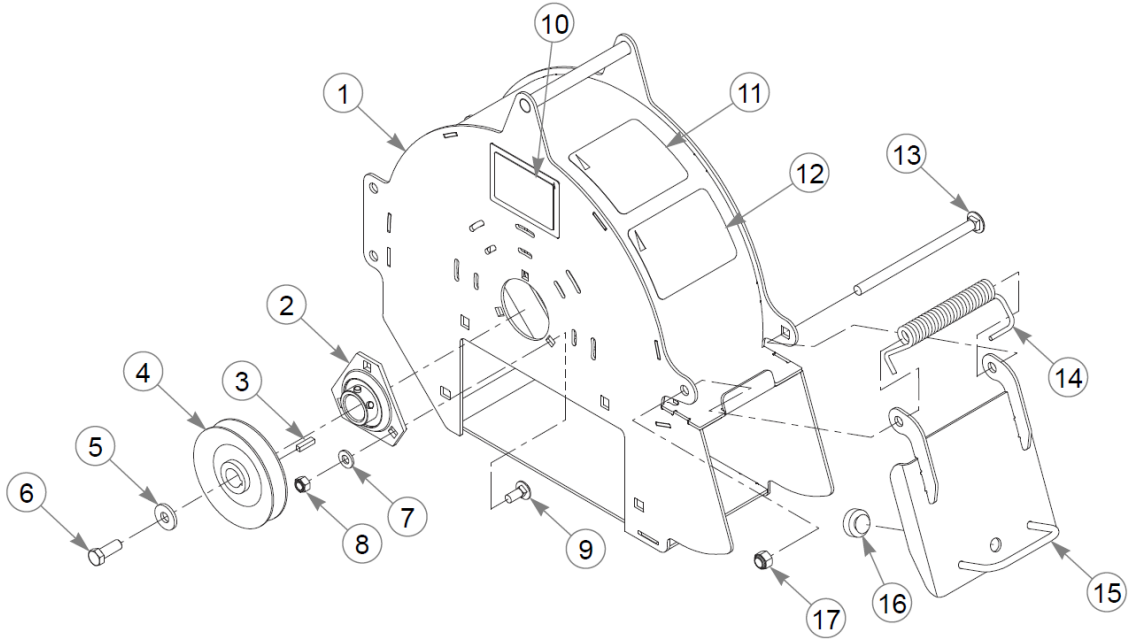


Item	Part No.	Qty	Name
1	602601	1	CATCHER VENT GUARD
2	602632	1	PECO DECAL MADE IN US
3	602635	1	TURN OFF WARNING DECAL
4	602633	1	PECO DEC. HEARING PROTEC
5	602634	1	PECO DECAL HOSE WEAR
6	602602	1	ELASTIC LATCH
7	603858	1	RUBBER SEAL
8	603857	1	DUST GUARD BRACE
9	603859	4	RIVET, PLASTIC 5MM
Not Shown	125213	1	LID PROP KIT



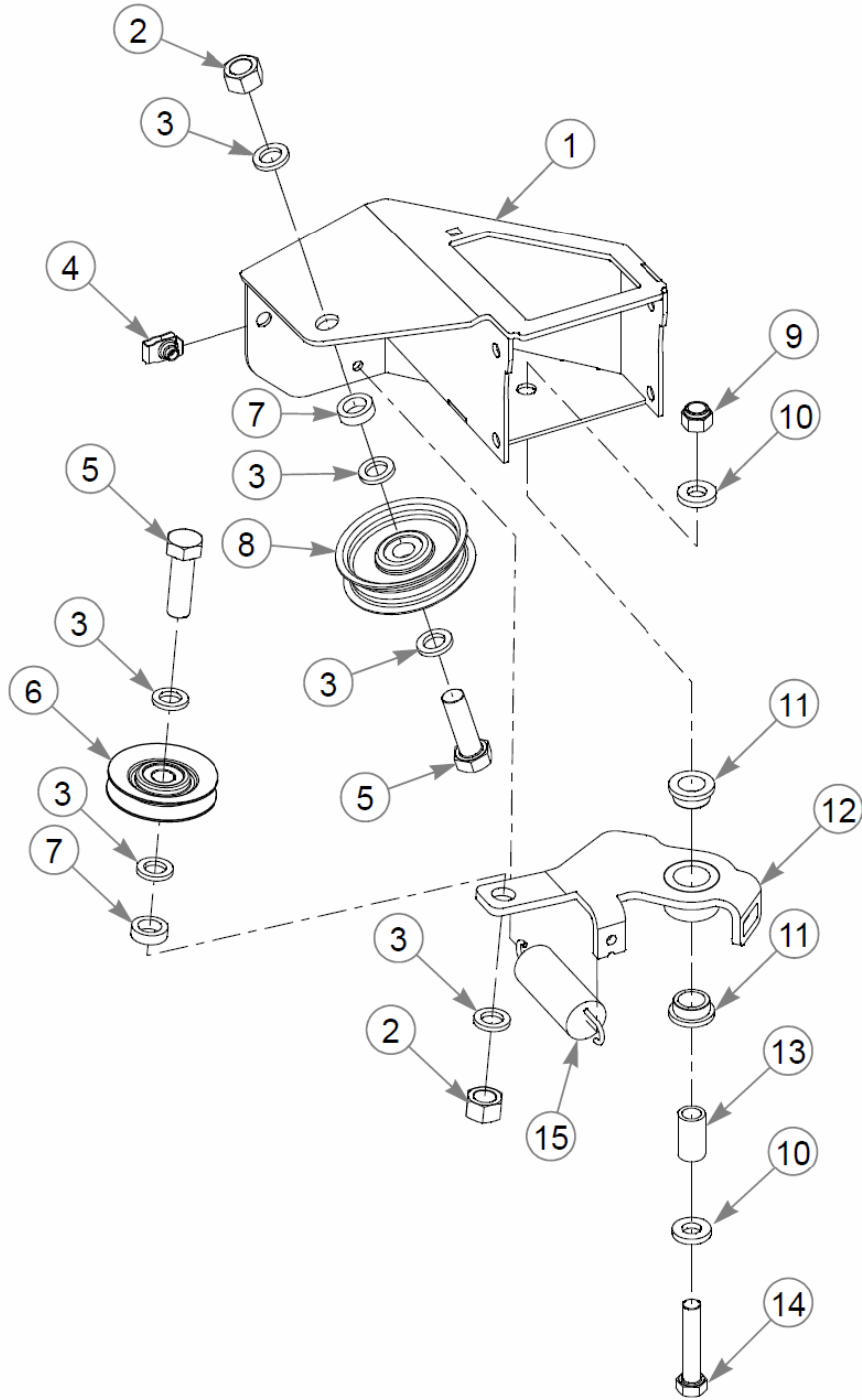
## Chute & Bags

Item	Part No.	Qty	Name
1	607283	1	FLEX TUBE 6 X 31
2	602671	1	CHUTE, FST BLOWER
3	602611	2	CATCHER BAG FRAME
4	602612	2	PECO CATCHER BAG



**Blower**

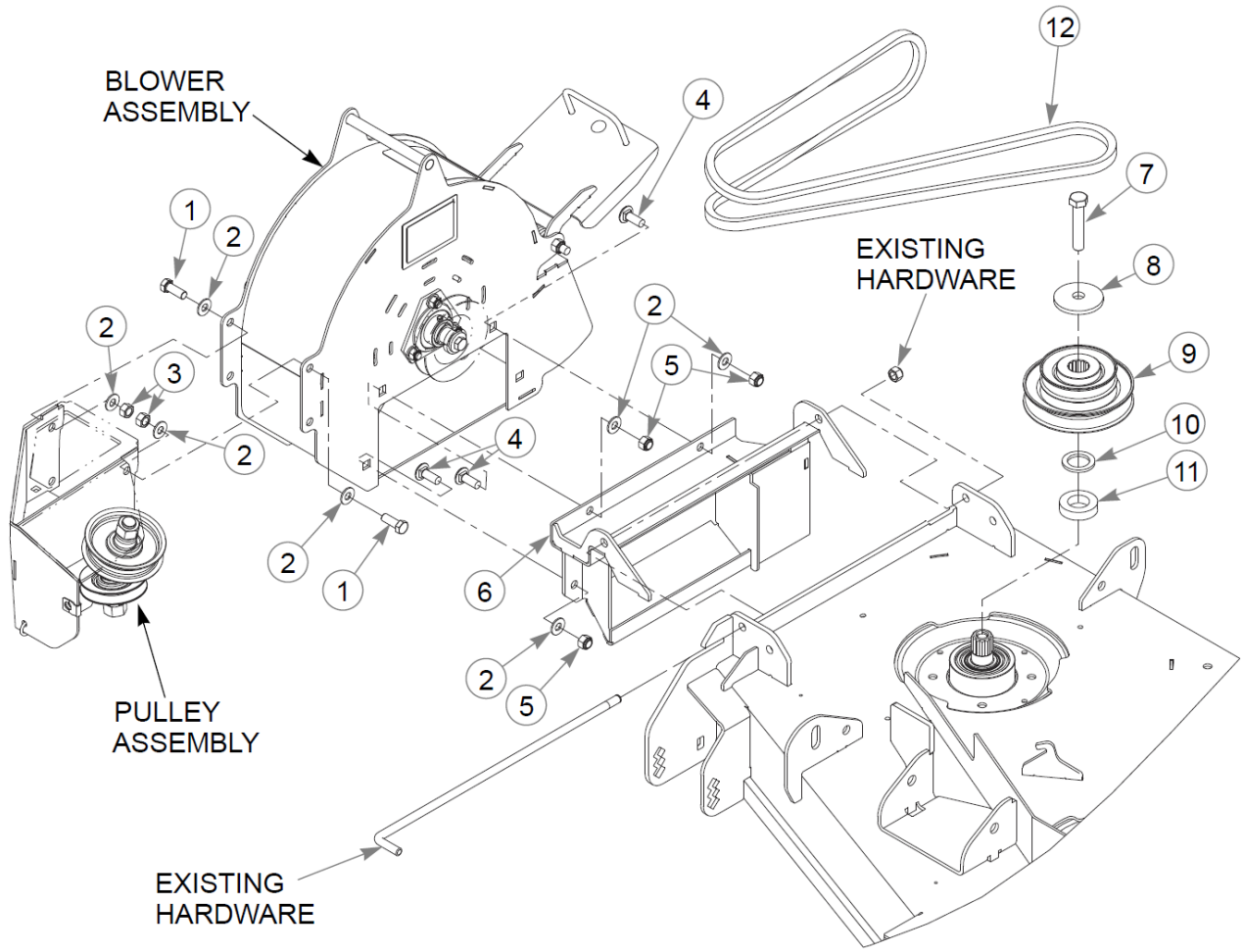
Item	Part No.	Qty	Name
1	121205	1	BLOWER HOUSING W/A
2	604264	2	BEARING, 1.0" BORE FLANG
3	322529	1	KEY .187 SQ X .750 LONG
4	602663	1	PULLEY, DRIVEN 3.50" EFF
5	712919	1	FW 0.406X1.00X.12 HD ZN
6	036244	1	CS .375-16X1.00 HX G5 ZN
7	768523	6	FW 0.343SAE
8	058776	6	NT .312-18NLG5
9	016253	6	CB .312-18X .750 FUL ZN
10	N/A	1	SERIAL NUMBER / SPEC DECAL
11	602757	1	DECAL, BLOWER DANGERS
12	602758	1	DECAL, EYES/EARS/FOOT
13	602674	1	CB .375-16X6.00 STD
14	602435	1	SPRING, TORSION
15	112742	1	DISCHARGE COVER W/A
16	781880	1	BUMPER, .500x 1.00x .31
17	086660	1	NT .375-16NLG8
18	112715	1	IMPELLER W/A, BLOWER
19	112714	1	COVER, IMPELLER
20	112970	1	COVER, BEARING
21	799130	8	CS .312-18X .625 HXFL



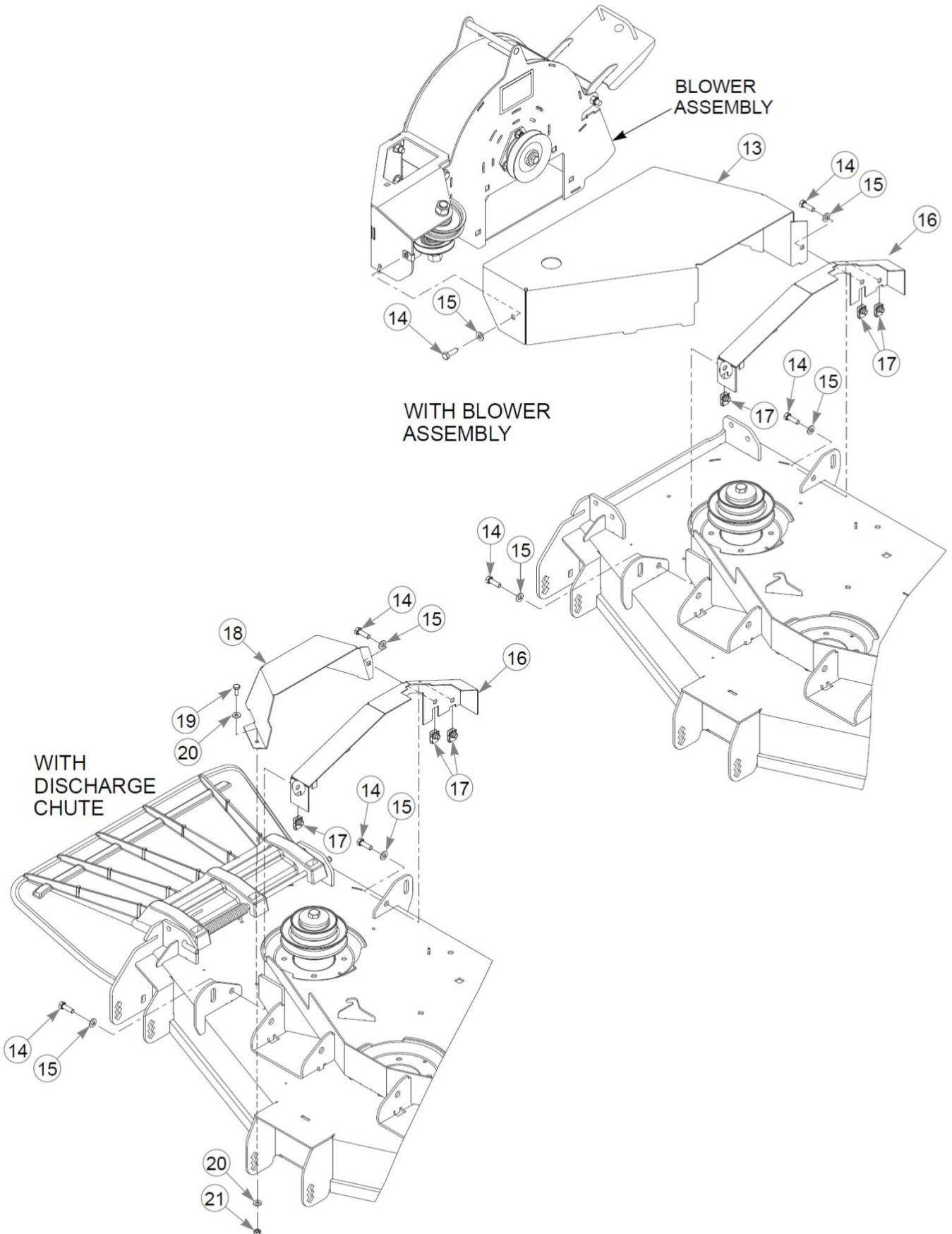


## Pulley Mount Assembly

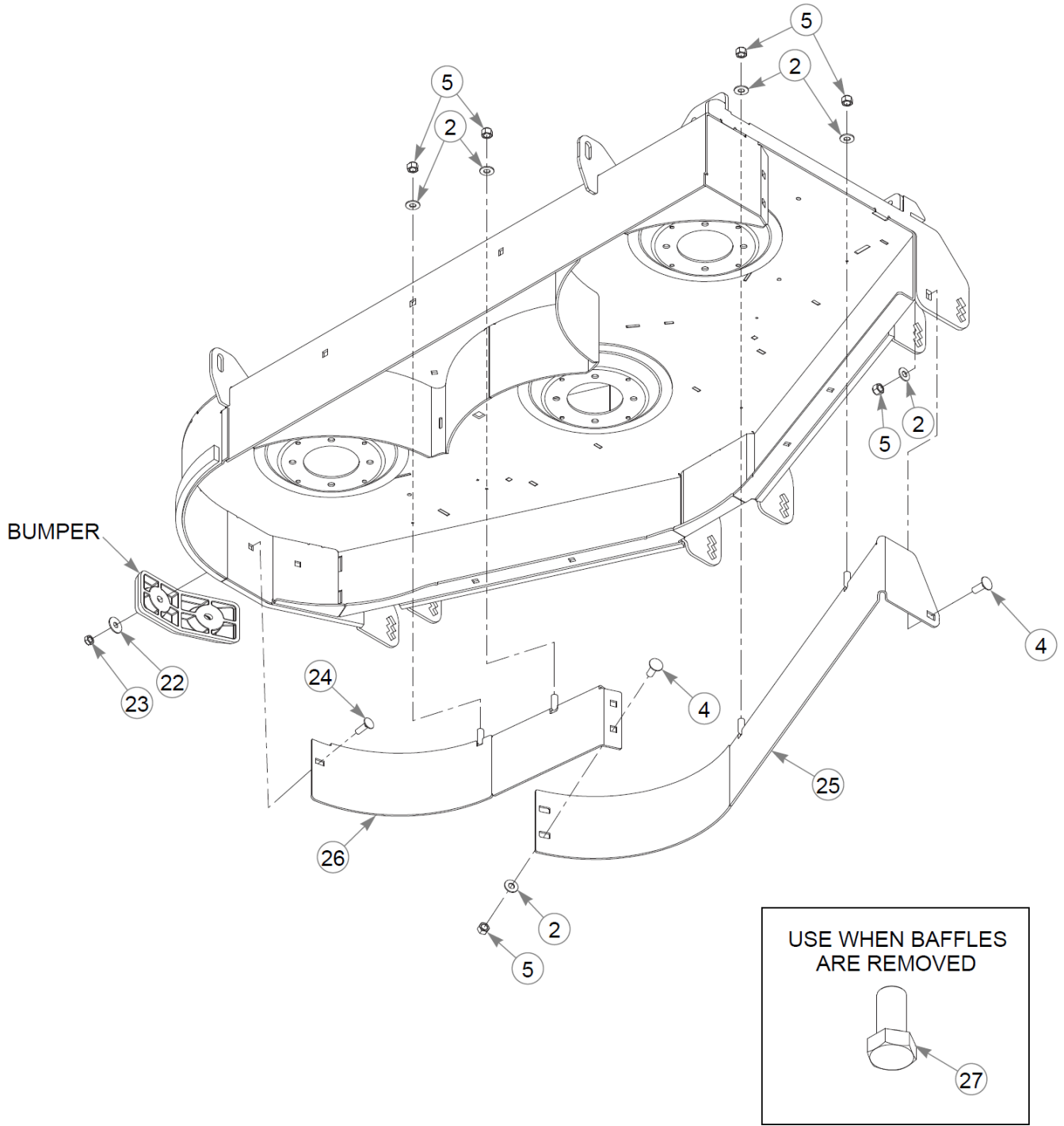
Item	Part No.	Qty	Name
1	121204	1	PULLEY MOUNT W/A
2	016972	2	NT .625-11 HX G5 ZN
3	028118	6	FW 0.625X1.00X.13 ZN
4	601069	1	CN .312-18x.200 MAX THK
5	016642	2	CS .625-11X2.000HXG5
6	601065	1	PULLEY, INSIDE IDLER
7	600296	2	SPACER, DECK IDLER
8	791566	1	PULLEY IDLER 3.25"ODX.6
9	781567	1	NT .500-13NLG5
10	767962	2	FW .531 x 1.063 x .175
11	770867	2	BUSHING, PLAS .750x1(FS)
12	121216	1	IDLER ARM W/A
13	109549	1	BUSHING, IDLER PIVOT
14	008573	1	CS .500-13X2.500HXG5
15	036384	1	SPRING 1/4 COIL PL 1.23



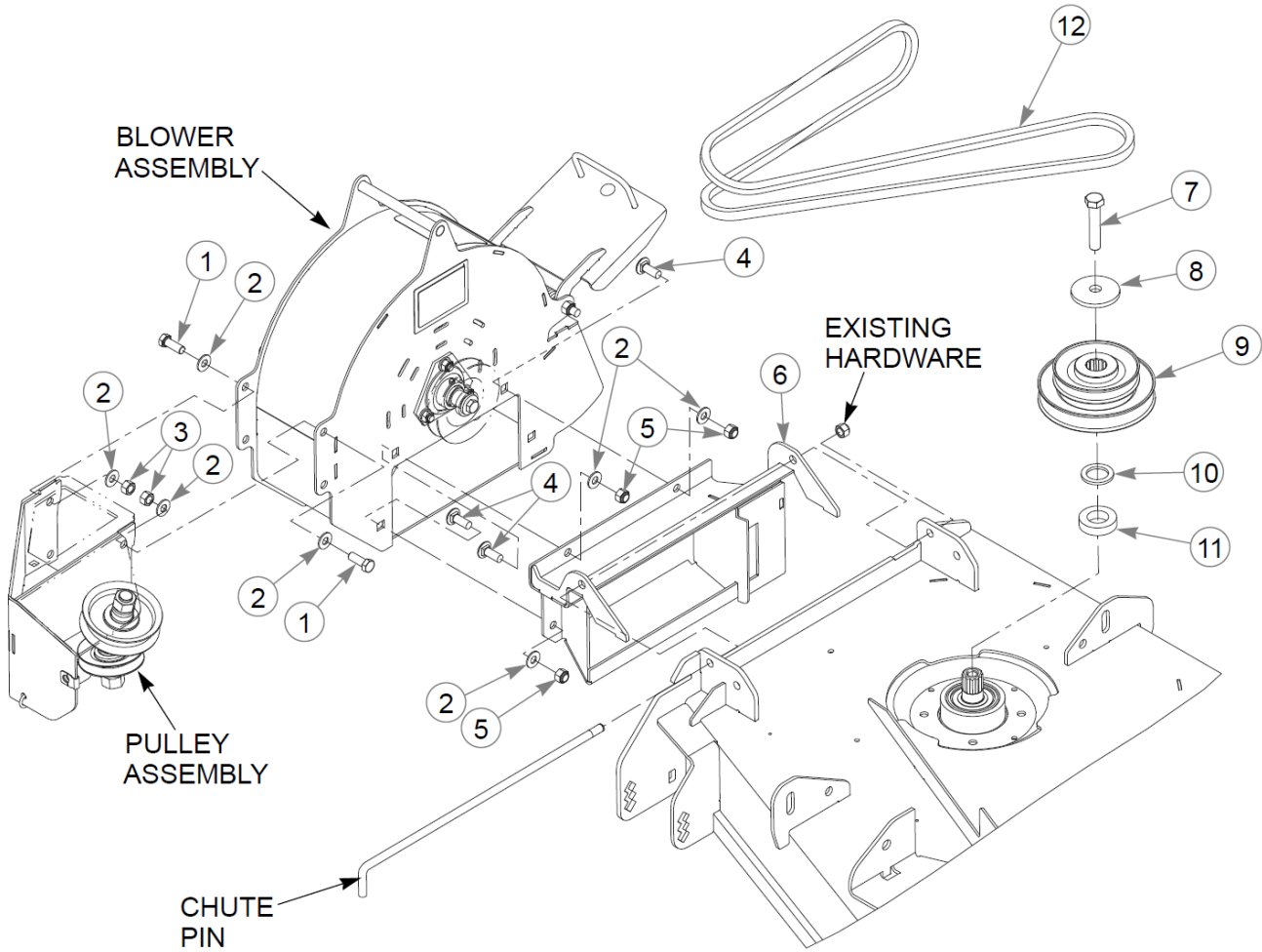
Item	Part No.	Qty	Name
1	036244	4	CS .375-16X1.00 HX G5 ZN
2	767954	19	FW 0.379X.82X.06 HD ZN
3	054502	4	NT .375-16HXG5
4	025395	7	CB .375-16X 1.00 G5 ZN
5	086660	11	NT .375-16NLG8
6	121198	1	48 ADAPTER MOUNT
7	008573	1	CS .500-13X2.500HXG5
8	752386	1	CW .515X 2.25X .204 BLK
9	601481	1	PULLEY, DOUBLE
10	045765	1	FW 1.030X1.50X.13 HD ZN
11	604661	1	SPACER, SPINDLE PULLEY
12	604933	1	BELT HA SECTION
13	121678	1	PULLEY COVER
14	036236	4	CS .312-18X1.000HXG5
15	768523	4	FW 0.343SAE
16	121408	1	48" GUARD
17	601069	3	CN .312-18x.200 MAX THK
18	121700	1	DOUBLE PULLEY COVER
19	064329	1	CS .250-20X0.625HXG5
20	768515	2	FW 0.281SAE
21	024927	1	NT .250-20HXG5
22	079210	1	FW 0.344X1.0X0.06 ZN
23	604251	1	NT .312-18 HXNL JAM G2ZN
24	037887	1	CB .312-18X 1.000 FUL ZN
25	121495	1	BAFFLE, FRONT RH 48" W/A
26	121494	1	BAFFLE, FRONT LH 48" W/A
27	055822	4	CS .375-16X0.75 HX G5 ZN



This page intentionally left blank

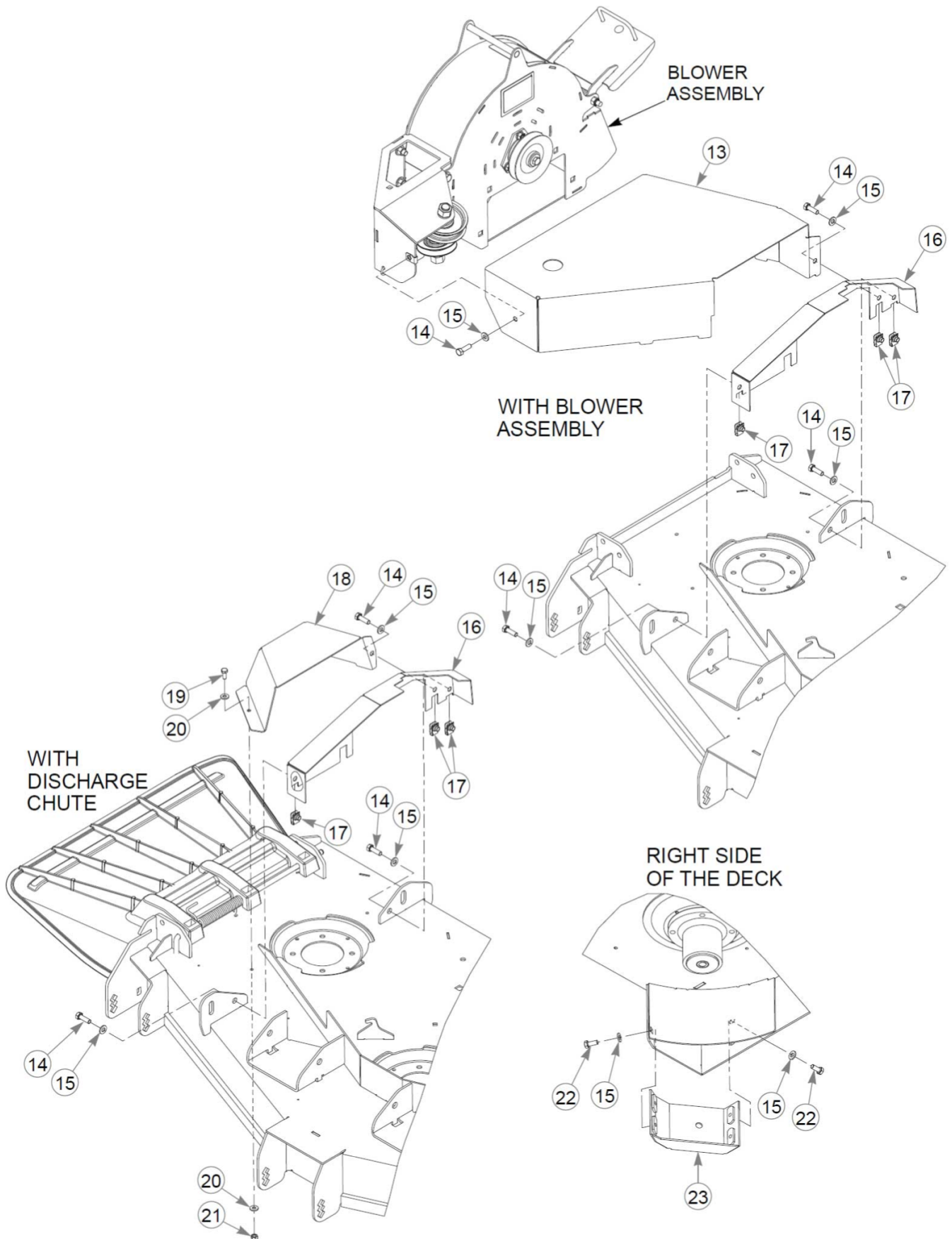


This page intentionally left blank

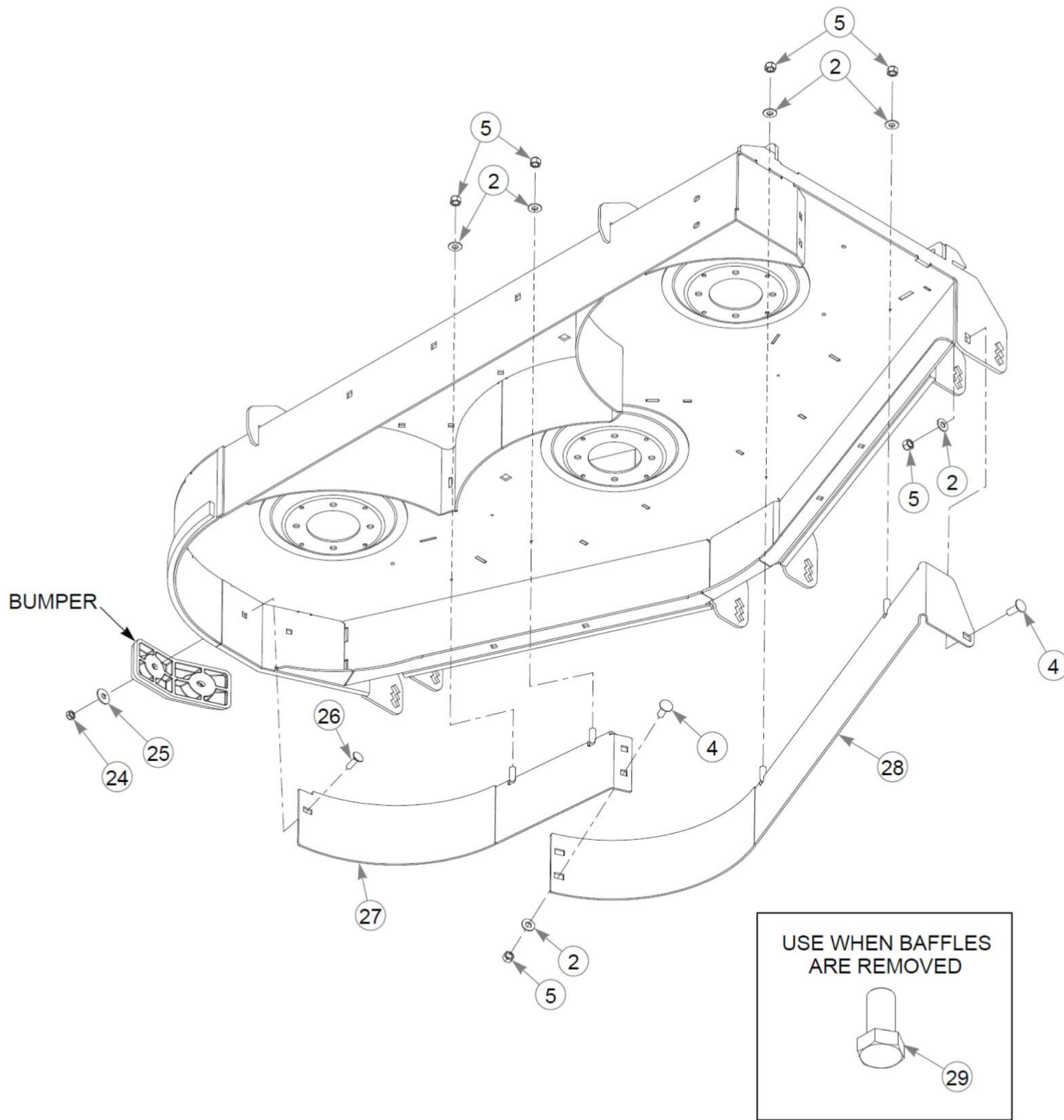




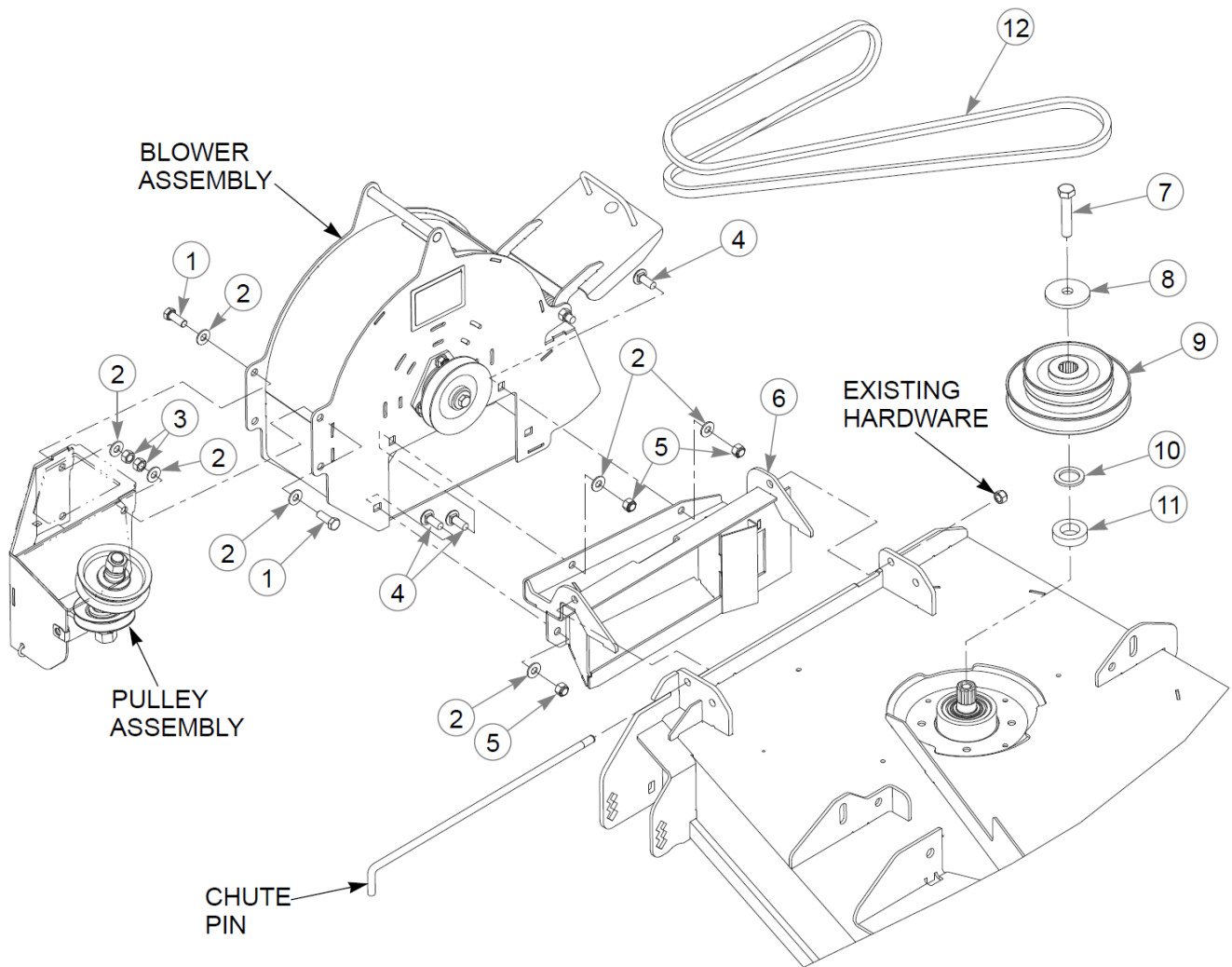
Item	Part No.	Qty	Name
1	036244	4	CS .375-16X1.00 HX G5 ZN
2	767954	19	FW 0.379X.82X.06 HD ZN
3	054502	4	NT .375-16HXG5
4	025395	7	CB .375-16X 1.00 G5 ZN
5	086660	11	NT .375-16NLG8
6	121648	1	54 ADAPTER MOUNT
7	008573	1	CS .500-13X2.500HXG5
8	752386	1	CW .515X 2.25X .204 BLK
9	601480	1	PULLEY, DOUBLE
10	045765	1	FW 1.030X1.50X.13 HD ZN
11	604661	1	SPACER, SPINDLE PULLEY
12	604169	1	BELT A-SEC 76" EL
13	121677	1	PULLEY COVER
14	036236	4	CS .312-18X1.000HXG5
15	768523	6	FW 0.343SAE
16	121410	1	54" GUARD
17	601069	3	CN .312-18x.200 MAX THK
18	121699	1	DOUBLE PULLEY COVER
19	064329	1	CS .250-20X0.625HXG5
20	768515	2	FW 0.281SAE
21	024927	1	NT .250-20HXG5
22	034280	4	CS .312-18X0.750HXG5
23	121818	1	54 CORNER SUPPORT W/A
24	604251	1	NT .312-18 HXNL JAM G2ZN
25	079210	1	FW 0.344X1.0X0.06 ZN
26	037887	1	CB .312-18X 1.000 FUL ZN
27	121492	1	BAFFLE, FRONT LH 54" W/A
28	121493	1	BAFFLE, FRONT RH 54" W/A
29	055822	4	CS .375-16X0.75 HX G5 ZN



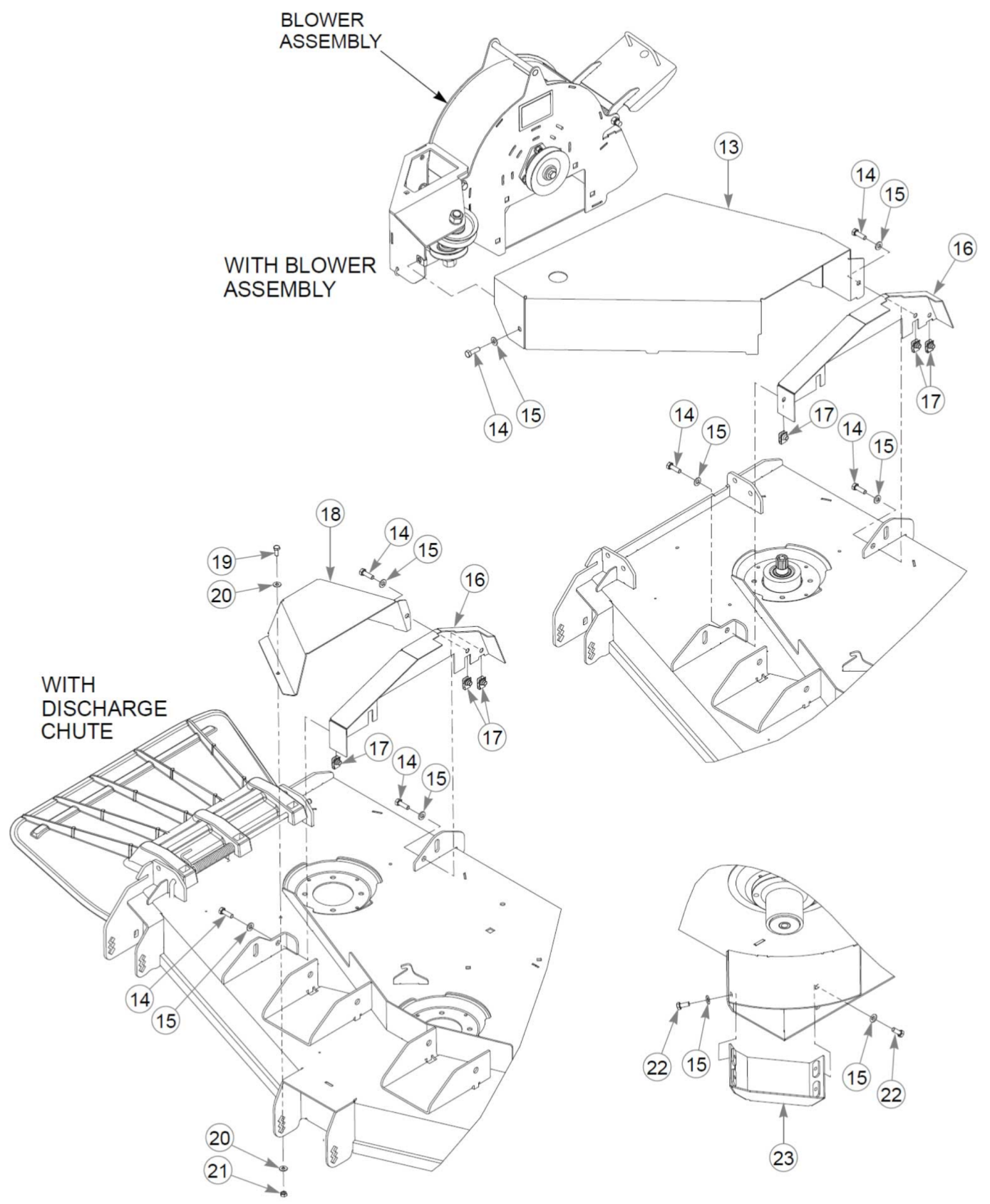
This page intentionally left blank



This page intentionally left blank



Item	Part No.	Qty	Name
1	036244	4	CS .375-16X1.00 HX G5 ZN
2	767954	15	FW 0.379X.82X.06 HD ZN
3	054502	4	NT .375-16HXG5
4	025395	7	CB .375-16X 1.00 G5 ZN
5	086660	7	NT .375-16NLG8
6	121203	1	60 ADAPTER MOUNT
7	008573	1	CS .500-13X2.500HXG5
8	752386	1	CW .515X 2.25X .204 BLK
9	601479	1	PULLEY, DOUBLE
10	045765	1	FW 1.030X1.50X.13 HD ZN
11	604661	1	SPACER, SPINDLE PULLEY
12	604935	1	BELT HA SECTION
13	121673	1	PULLEY COVER
14	036236	4	CS .312-18X1.000HXG5
15	768523	6	FW 0.343SAE
16	121412	1	60" GUARD
17	601069	3	CN .312-18x.200 MAX THK
18	121698	1	DOUBLE PULLEY COVER
19	064329	1	CS .250-20X0.625HXG5
20	768515	2	FW 0.281SAE
21	024927	1	NT .250-20HXG5
22	034280	4	CS .312-18X0.750HXG5
23	121816	1	60 CORNER SUPPORT W/A
24	058776	4	NT .312-18NLG5
25	079210	1	FW 0.344X1.0X0.06 ZN
26	604251	1	NT .312-18 HXNL JAM G2ZN
27	037887	1	CB .312-18X 1.000 FUL ZN
28	121490	1	BAFFLE, FRONT LH 60" W/A
29	121491	1	BAFFLE, FRONT RH 60" W/A
30	055822	4	CS .375-16X0.75 HX G5 ZN





This page intentionally left blank

