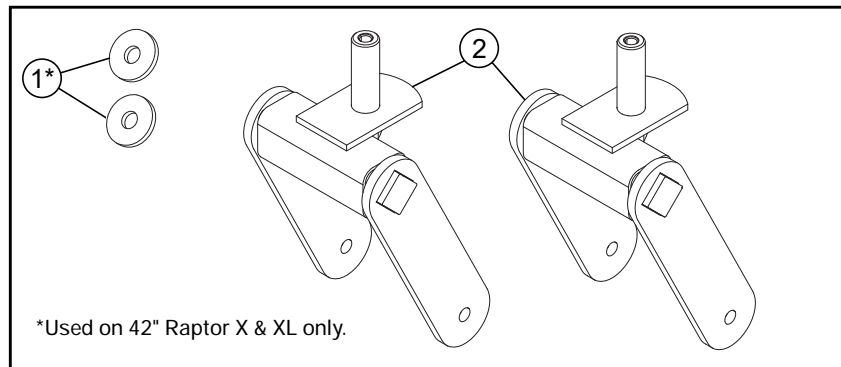


Packing List

Listed below are parts included in this kit. If any parts are missing or damaged, please contact Excel Parts Department.



INDEX NO.	PART NO.	DESCRIPTION	QTY
1	712927	FW 0.344 X 1.00 X .12 HD ZN	2
2	N/A	FLEX FORK	2

IMPORTANT: Do not use Flex Forks® when a catcher unit is installed, as Flex Forks® will not operate properly with the added weight.

WARNING

Use only appropriate vehicle stands, with a minimum weight rating of 2000 pounds to block the unit up. Use in pairs only. Follow the instructions supplied with the vehicle stands.

42" Raptor X & XL Mowers

Some 42" Raptor® X & XL mowers require that two (2) washers be added to the footrest to provide clearance for the Flex Forks®. If the front cover has rounded corners (Fig. 1), then remove the front cover and add two (2) washers as shown in Fig. 3. Mowers with chamfered corners (Fig. 2) on the front cover do not use the additional washers.

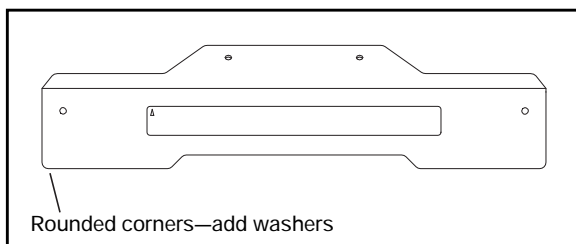


FIG. 1

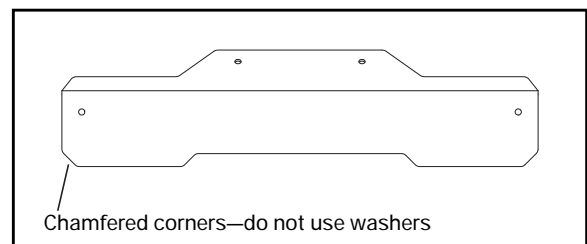


FIG. 2

Flex Forks® Assembly

1. Park the mower on a solid, level surface; set the park brakes; shut off the engine; and remove the ignition key. (Disconnect the negative battery cable.)
2. Raise and block the front of the deck up so that the front wheels are off the ground. Place the mower securely on jack stands and do not allow the machine to move.

3. Remove the front wheel and tire from the fork.
4. Remove the existing fork from the mower frame.
5. Attach the flex fork to the mower frame using the existing hardware. Make sure that all hardware is replaced exactly as it was removed. Reference Fig. 4 for accurate part placement. Apply one drop of Loctite 242 to the bolt threads. Torque the bolt to 75 ft-lbs (102 N•m).
6. Attach the wheel and tire to the new flex fork using the existing hardware. Tighten the nut, then back it off so the wheel spins freely, Fig. 4.
7. Apply grease to zerks where applicable (see the owner's manual), Fig. 4.
8. Lower the deck.
9. Reconnect the negative battery cable.
10. When first installed Flex Forks® will raise the front of the mower about 1" depending upon which model they are installed. It is not necessary to re-level the deck at this point. The Flex Forks® will settle after about 20 minutes of driving time. After operating for 20 minutes, if the Flex Forks® remain higher than the original forks were, the deck can be re-leveled. Refer to the mower's general service manual for deck leveling procedures.

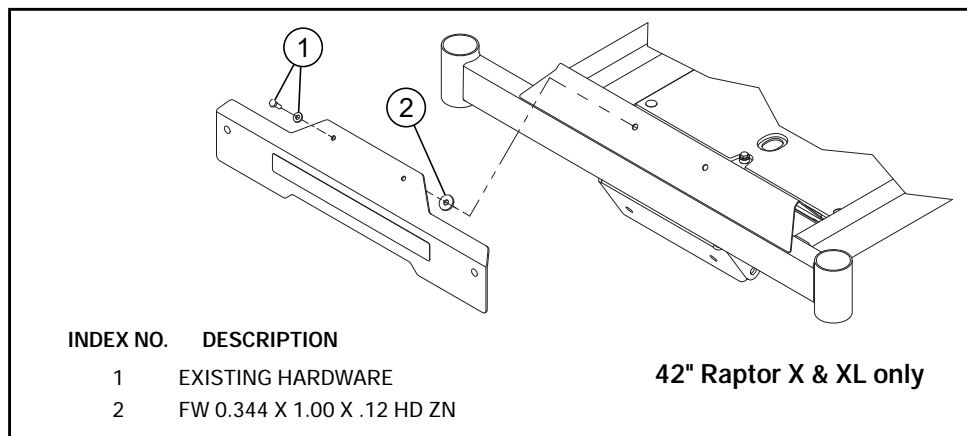


FIG. 3

Use the existing hardware for installation.

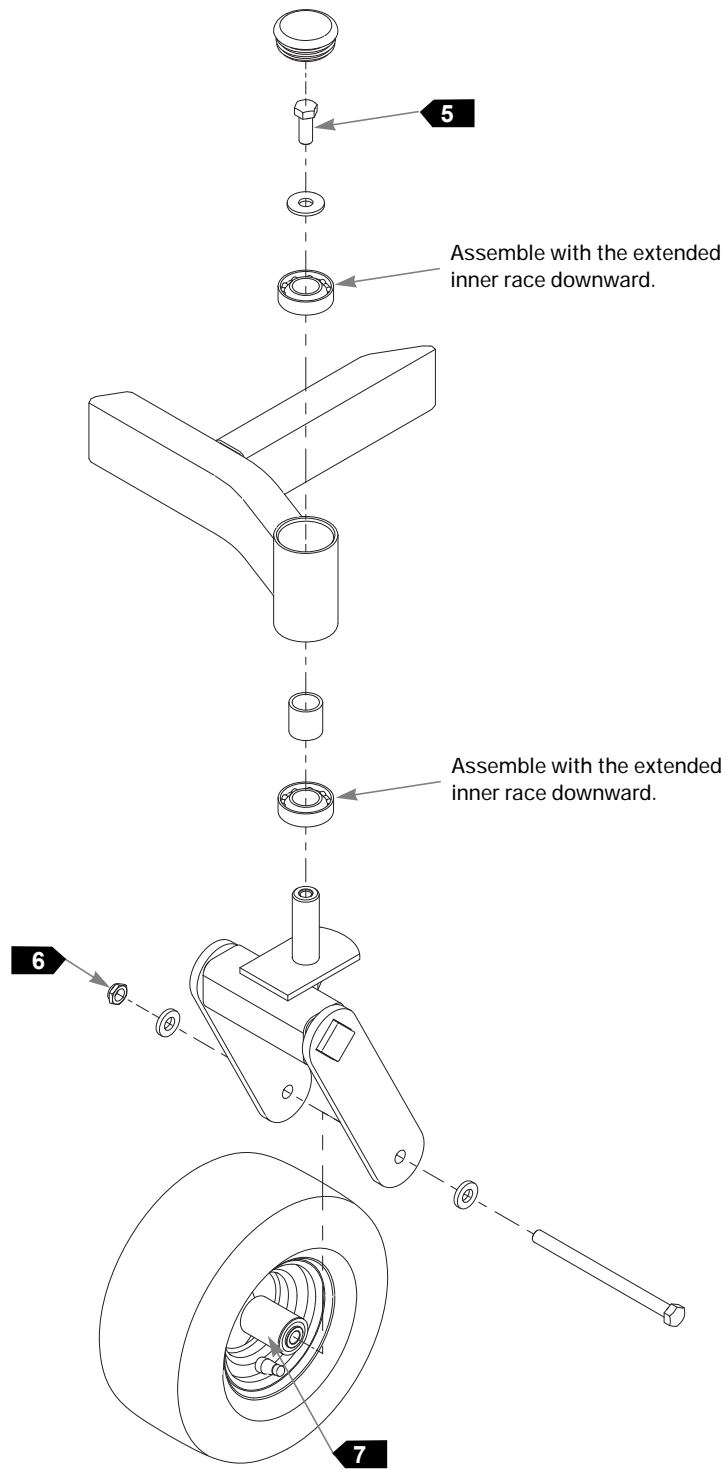


FIG. 4